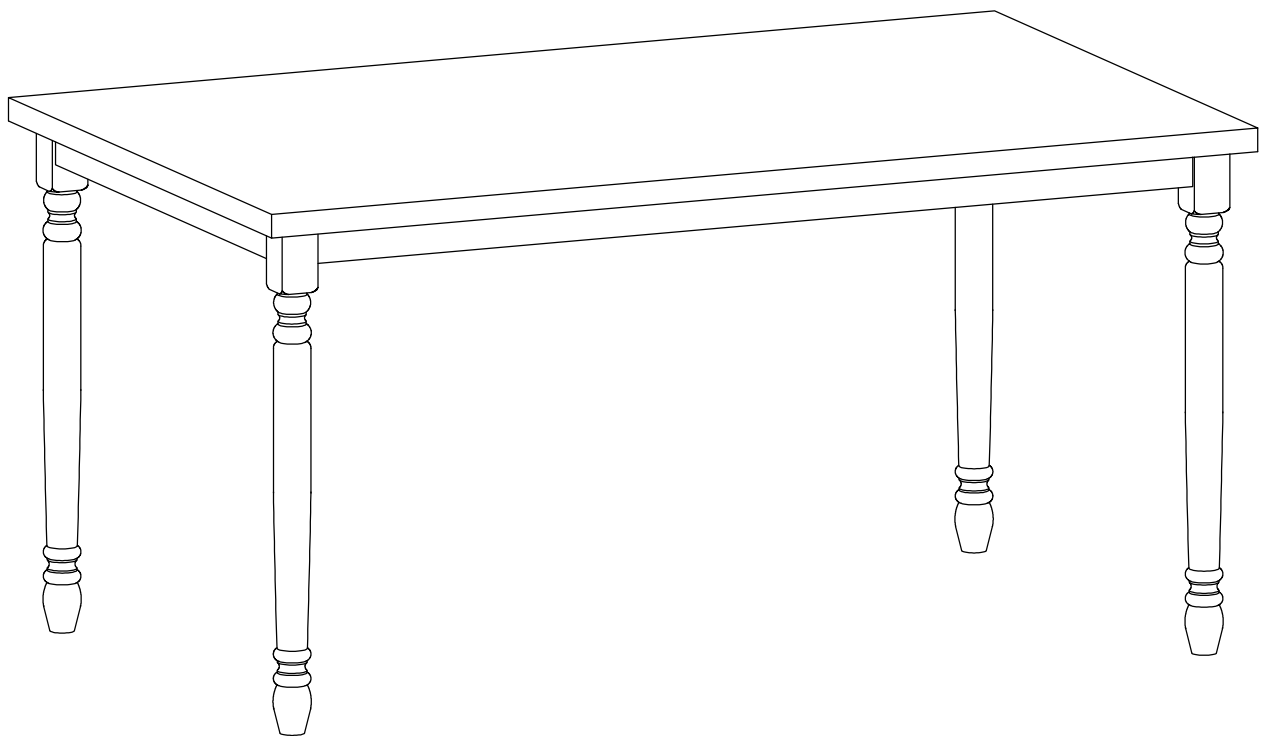


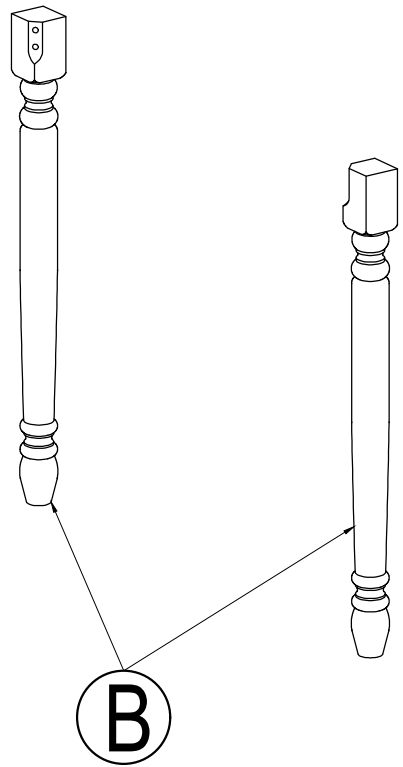
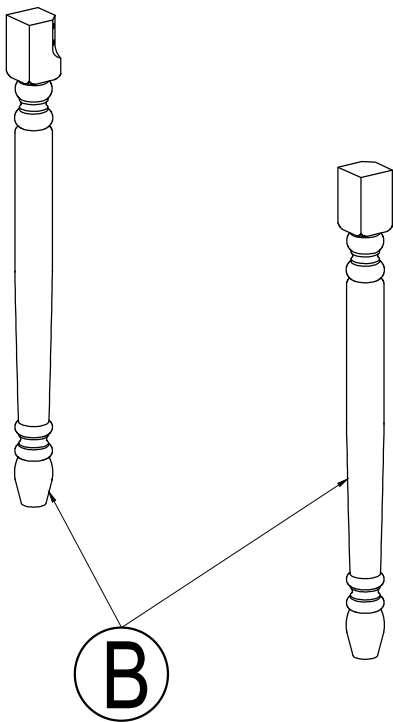
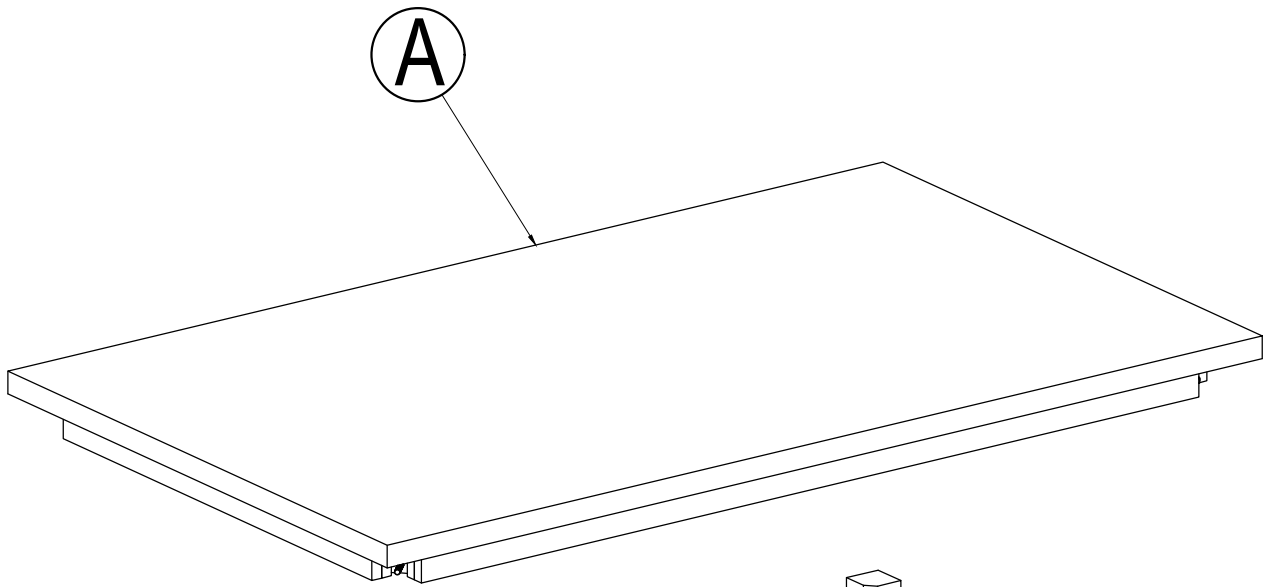
ASSEMBLY INSTRUCTIONS

ITEM NO.WF292251



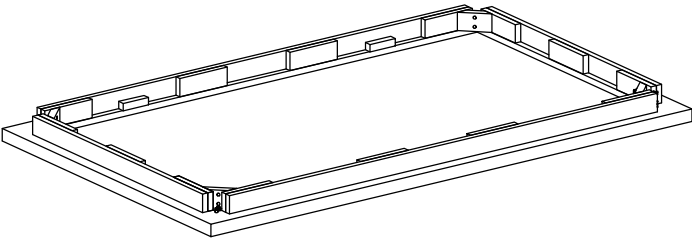
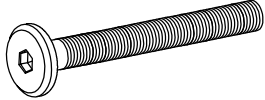
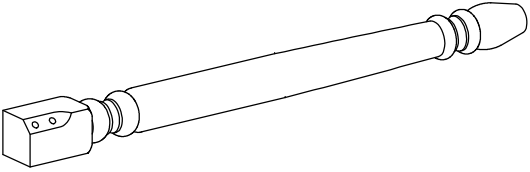

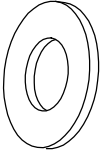

IMPORTANT NOTE :

- ① PLACE ALL PARTS ON A CLEAN AND SMOOTH SURFACE SUCH AS A RUG OR CARPET TO AVOID THE PARTS FROM BEING SCRATCHED.
- ② BEFORE YOU BEGIN,KINDLY FOLLOW THE ASSEMBLY INSTRUCTIONS STEP BY STEP.
- ③ DO NOT TIGHTEN ALL SCREWS AND BOLTS UNTIL THE TABLE IS FULLY SET-UP.

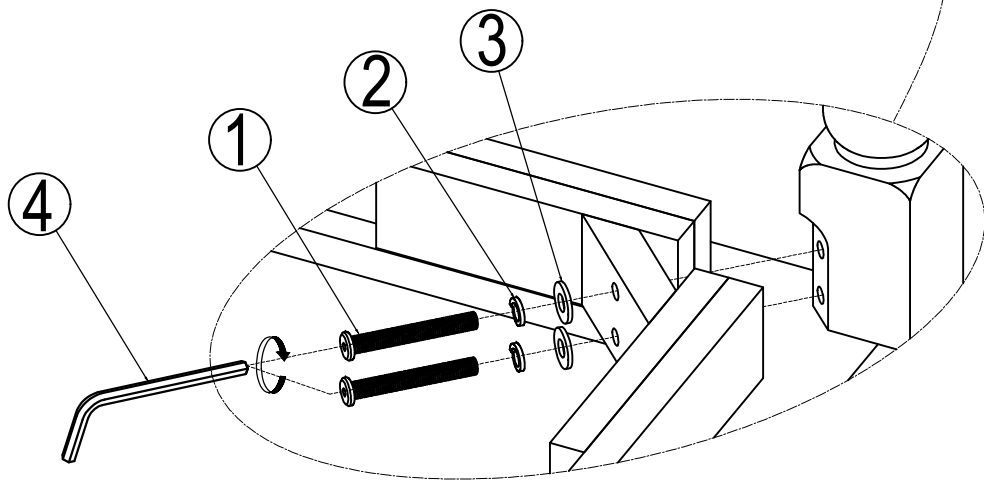
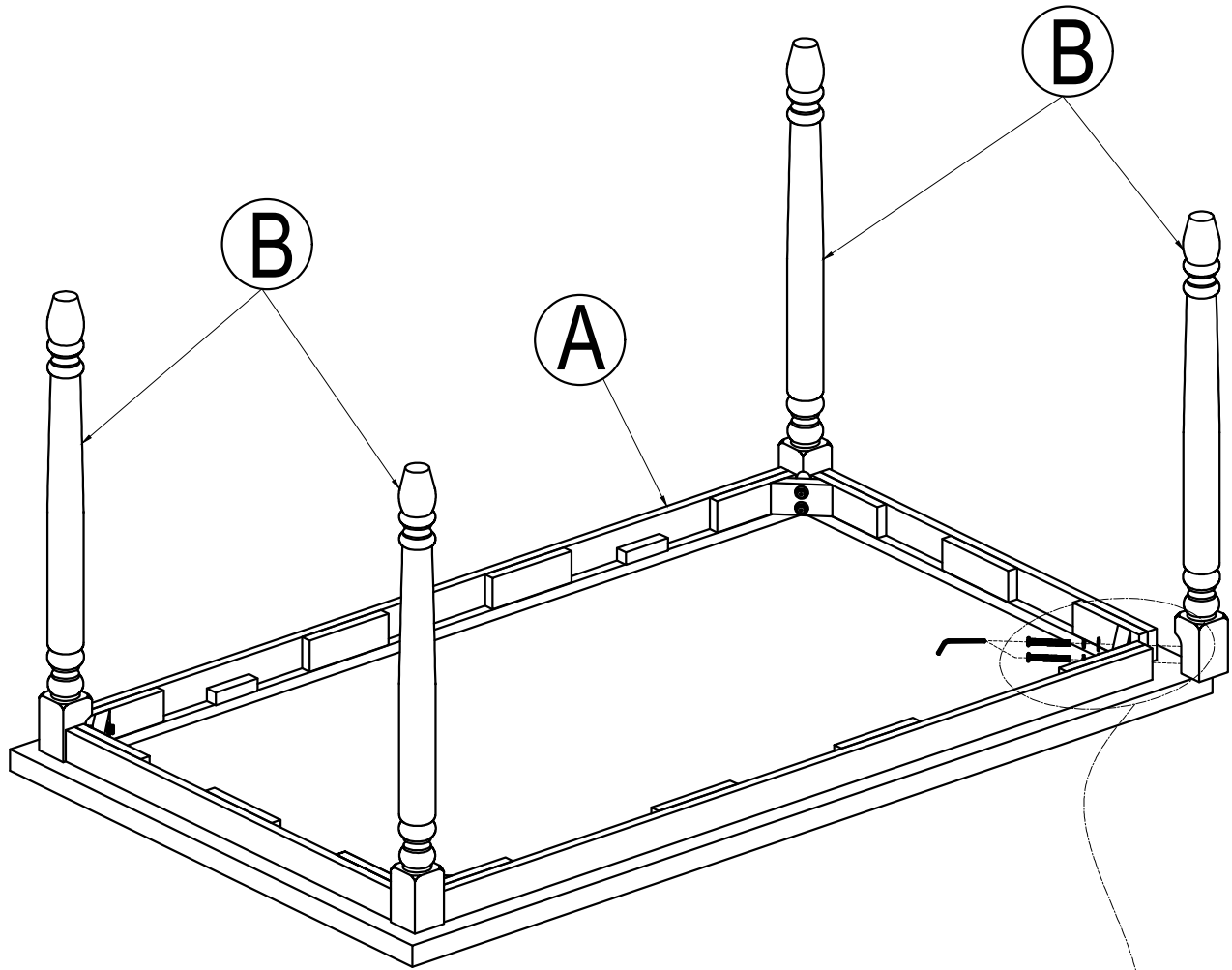


Part List

Hardware List

<p>A</p> 	<p>1</p>  <p>Ø 5/16" x 60mm</p>
<p>TABLE TOP (1PC)</p>	<p>BOLT (8pcs)</p>
<p>B</p> 	<p>2</p>  <p>Ø5/16" x 13mm</p>
<p>TABLE LEG (4PCS)</p>	<p>FLAT WASHER (8pcs)</p>
<p>B</p>	<p>3</p>  <p>Ø5/16" x 19mm</p>
<p></p>	<p>LOCK WASHER (8pcs)</p>
<p></p>	<p>4</p>  <p>4mm</p>
<p></p>	<p>ALLEN KEY (1pc)</p>

STEP 1:



X4