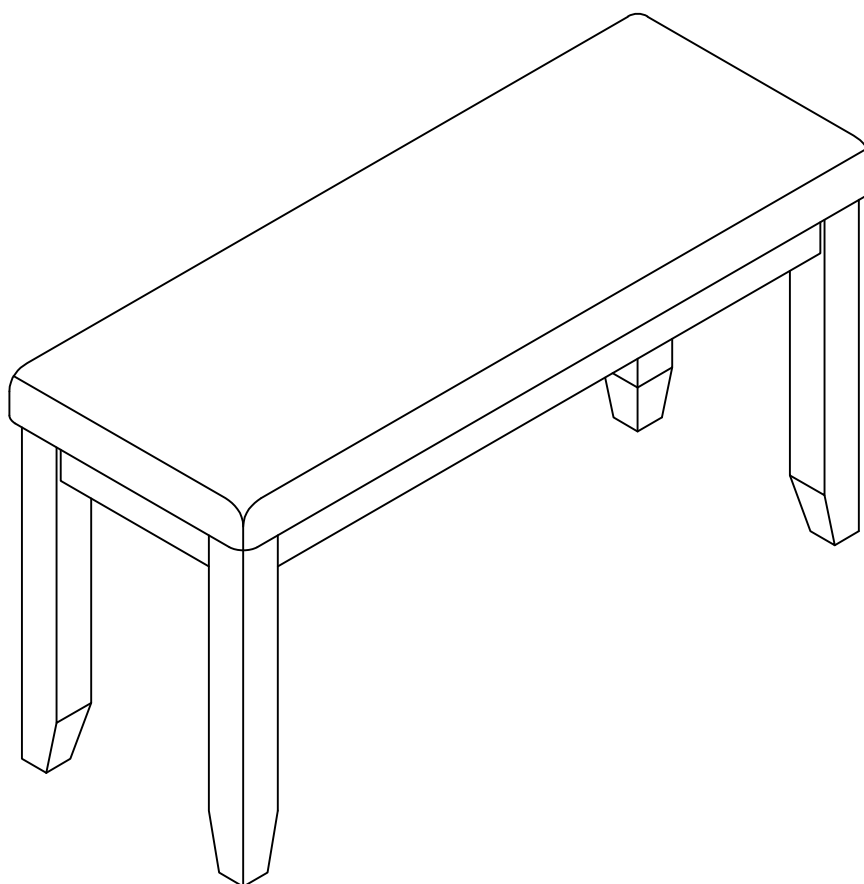


ASSEMBLY INSTRUCTIONS

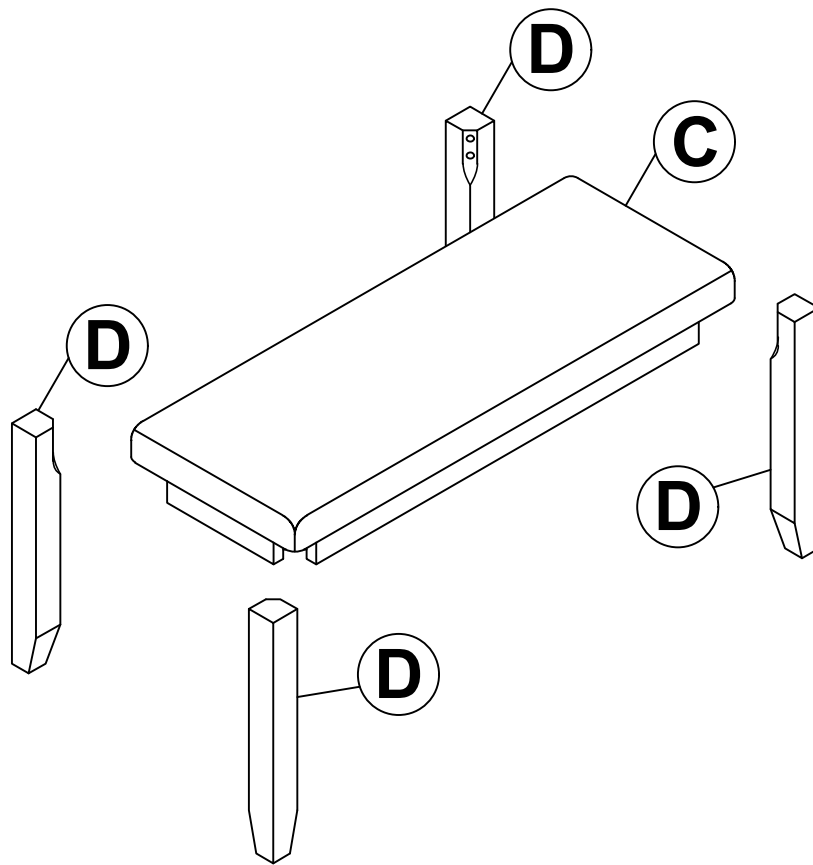
DINING BENCH

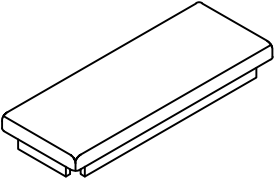

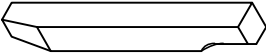

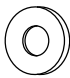



WF293570

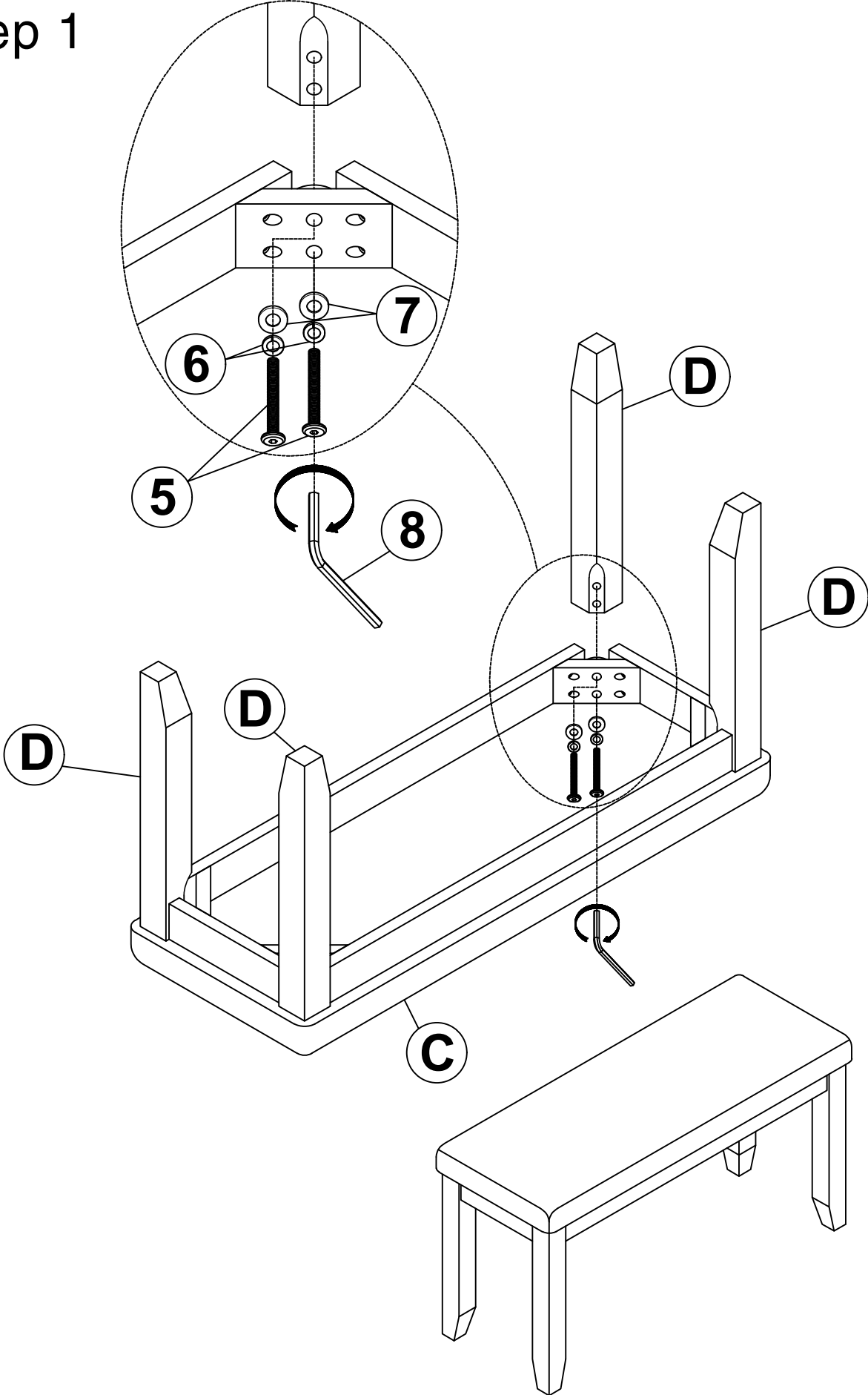
IMPORTANT NOTE :

- ① PLACE ALL PARTS ON A CLEAN AND SMOOTH SURFACE SUCH AS A RUG OR CARPET TO AVOID THE PARTS FROM BEING SCRATCHED.
- ② BEFORE YOU BEGIN , KINDLY FOLLOW THE ASSEMBLY INSTRUCTIONS STEP BY STEP.
- ③ DO NOT TIGHTEN ALL SCREWS AND BOLTS UNTIL THE BENCH IS FULLY SET-UP



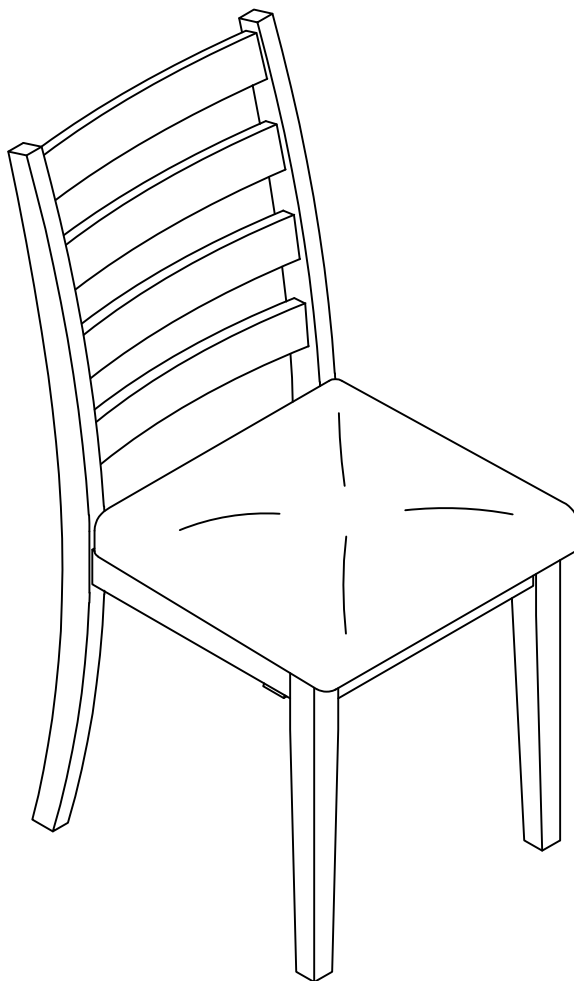
Part List	Hardware List
<p>C</p>  <p>SEAT BENCH (1pc)</p>	<p>5</p>  <p>Ø5/16" x 60mm</p> <p>BOLT (8pcs)</p>
<p>D</p>  <p>LEGS BENCH (4pcs)</p>	<p>6</p>  <p>Ø5/16" x 13mm</p> <p>SPRING WASHER (8pcs)</p>
	<p>7</p>  <p>Ø5/16" x 19mm</p> <p>FLAT WASHER (8pcs)</p>
	<p>8</p>  <p>4mm</p> <p>ALLENKEY (1pc)</p>

Step 1



ASSEMBLY INSTRUCTIONS

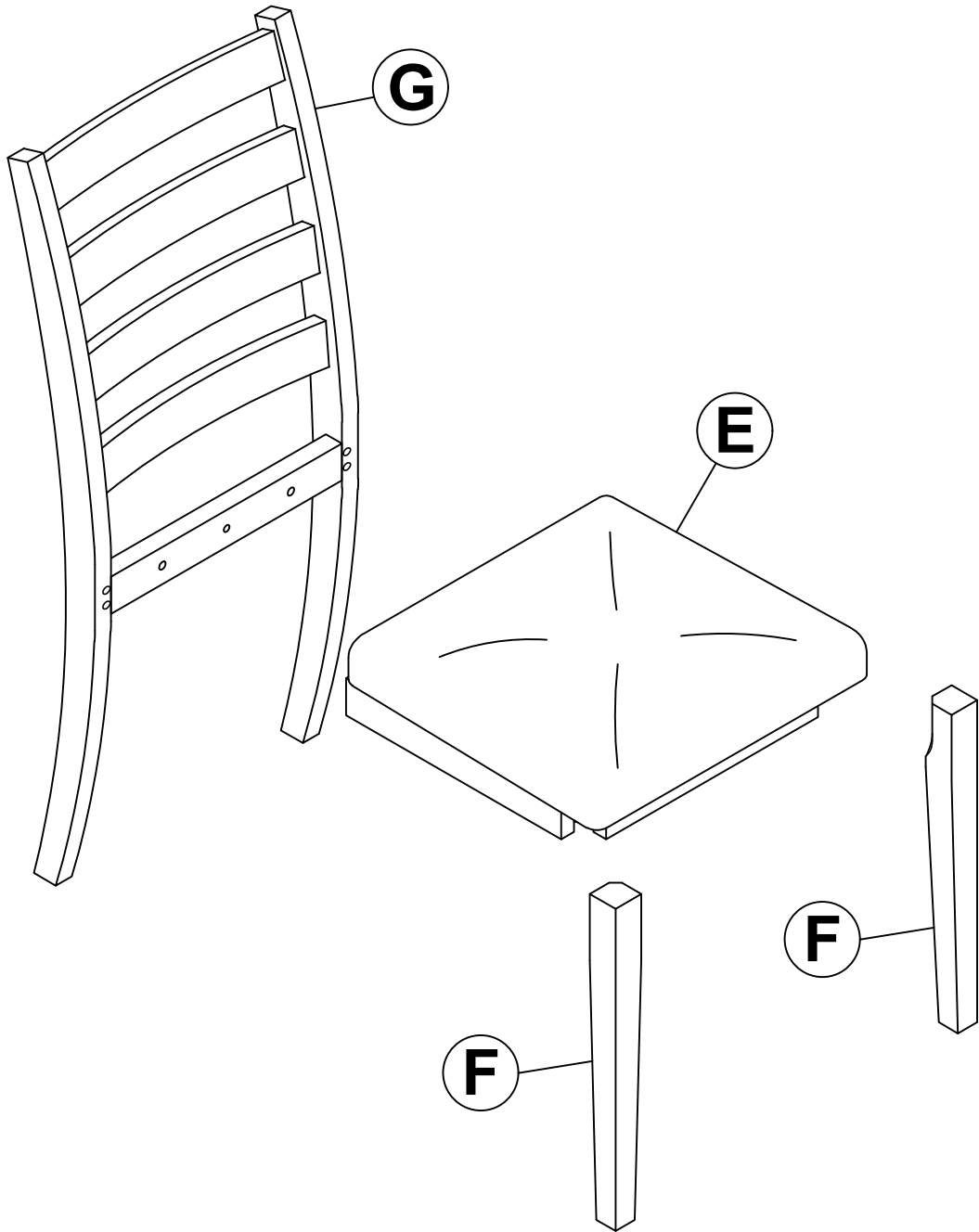
DINING CHAIR



WF293570

IMPORTANT NOTE :

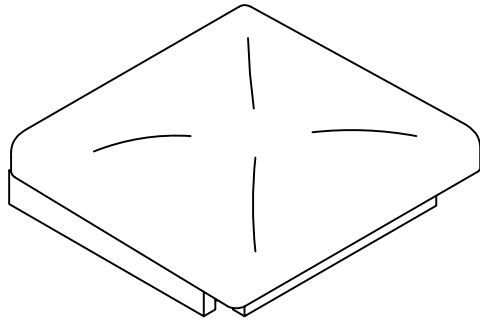
- ① PLACE ALL PARTS ON A CLEAN AND SMOOTH SURFACE SUCH AS A RUG OR CARPET TO AVOID THE PARTS FROM BEING SCRATCHED.
- ② BEFORE YOU BEGIN , KINDLY FOLLOW THE ASSEMBLY INSTRUCTIONS STEP BY STEP.
- ③ DO NOT TIGHTEN ALL SCREWS AND BOLTS UNTIL THE CHAIR IS FULLY SET-UP



Part List

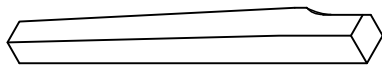
Hardware List

E



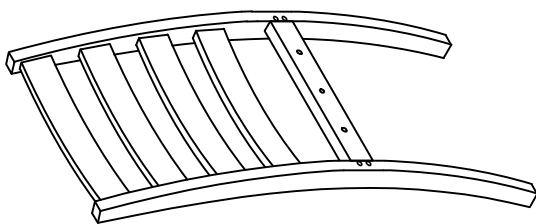
SEAT FRAME (1pc)

F



LEGS CHAIR (2pcs)

G



BACK FRAME (1pc)

9



Ø1/4" x 75mm

BOLT (4pcs)

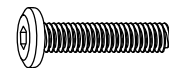
10



Ø1/4" x 55mm

BOLT (4pcs)

11



Ø1/4" x 35mm

BOLT (2pcs)

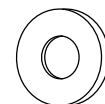
12



Ø1/4" x 13mm

SPRING WASHER (10pcs)

13



Ø1/4" x 19mm

FLAT WASHER (10pcs)

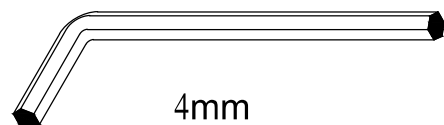
14



Ø10 x 30mm

WOOD (1pc)

15



4mm

ALLENKEY (1pc)

Step 1

