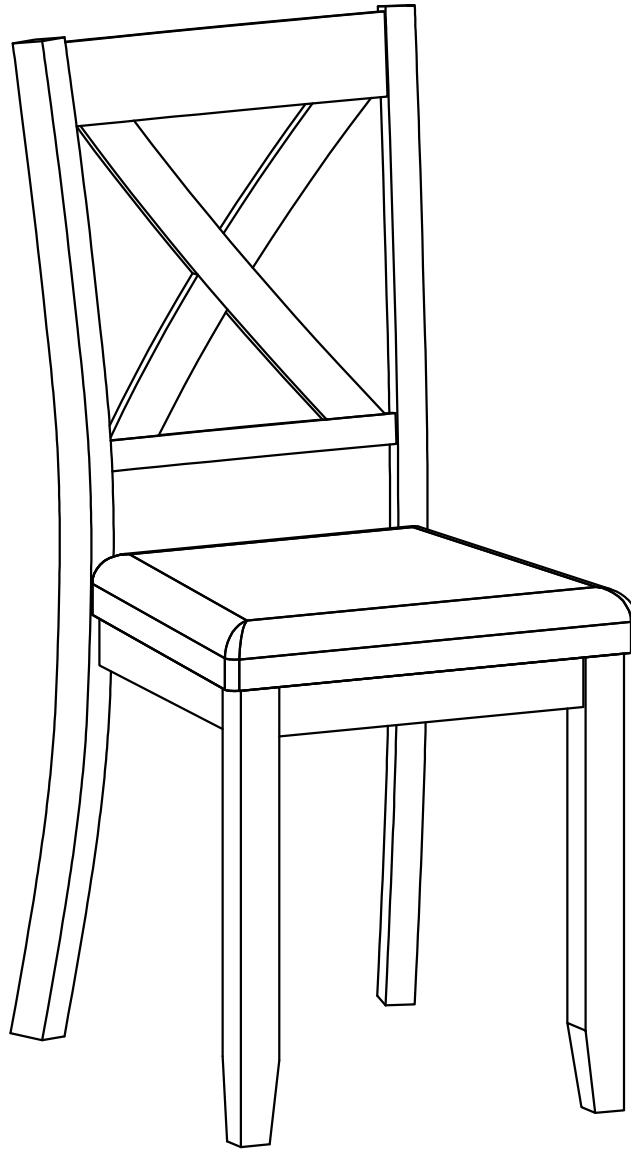


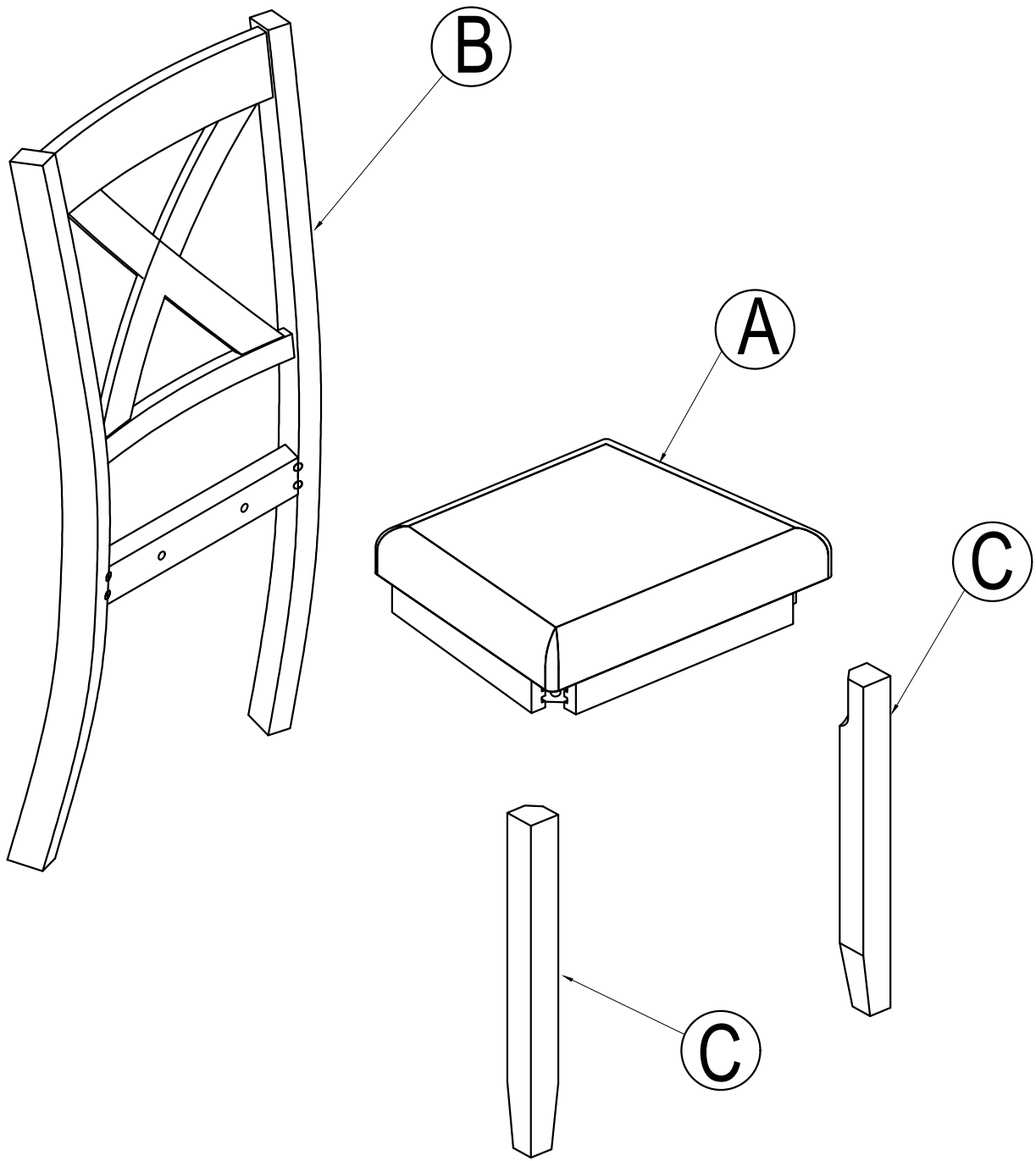
# ASSEMBLY INSTRUCTIONS

ITEM NO.WF292250



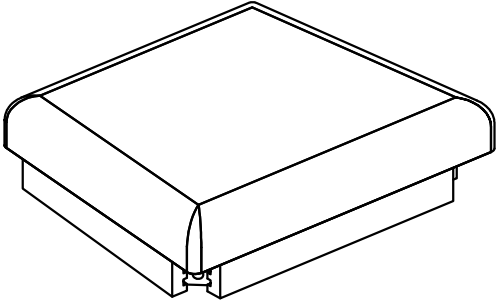
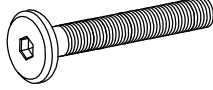
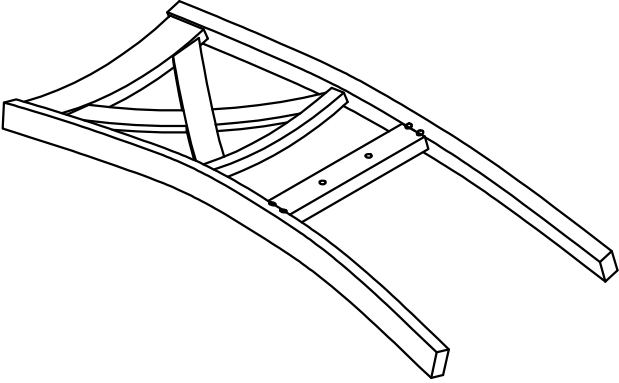
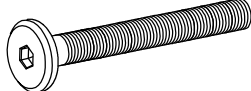
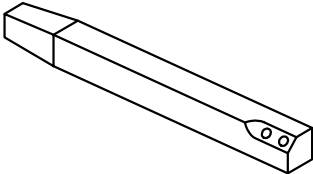
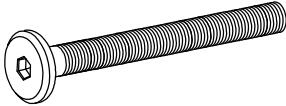

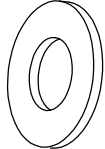

## IMPORTANT NOTE :

- ① PLACE ALL PARTS ON A CLEAN AND SMOOTH SURFACE SUCH AS A RUG OR CARPET TO AVOID THE PARTS FROM BEING SCRATCHED.
- ② BEFORE YOU BEGIN,KINDLY FOLLOW THE ASSEMBLY INSTRUCTIONS STEP BY STEP.
- ③ DO NOT TIGHTEN ALL SCREWS AND BOLTS UNTIL THE CHAIR IS FULLY SET-UP.

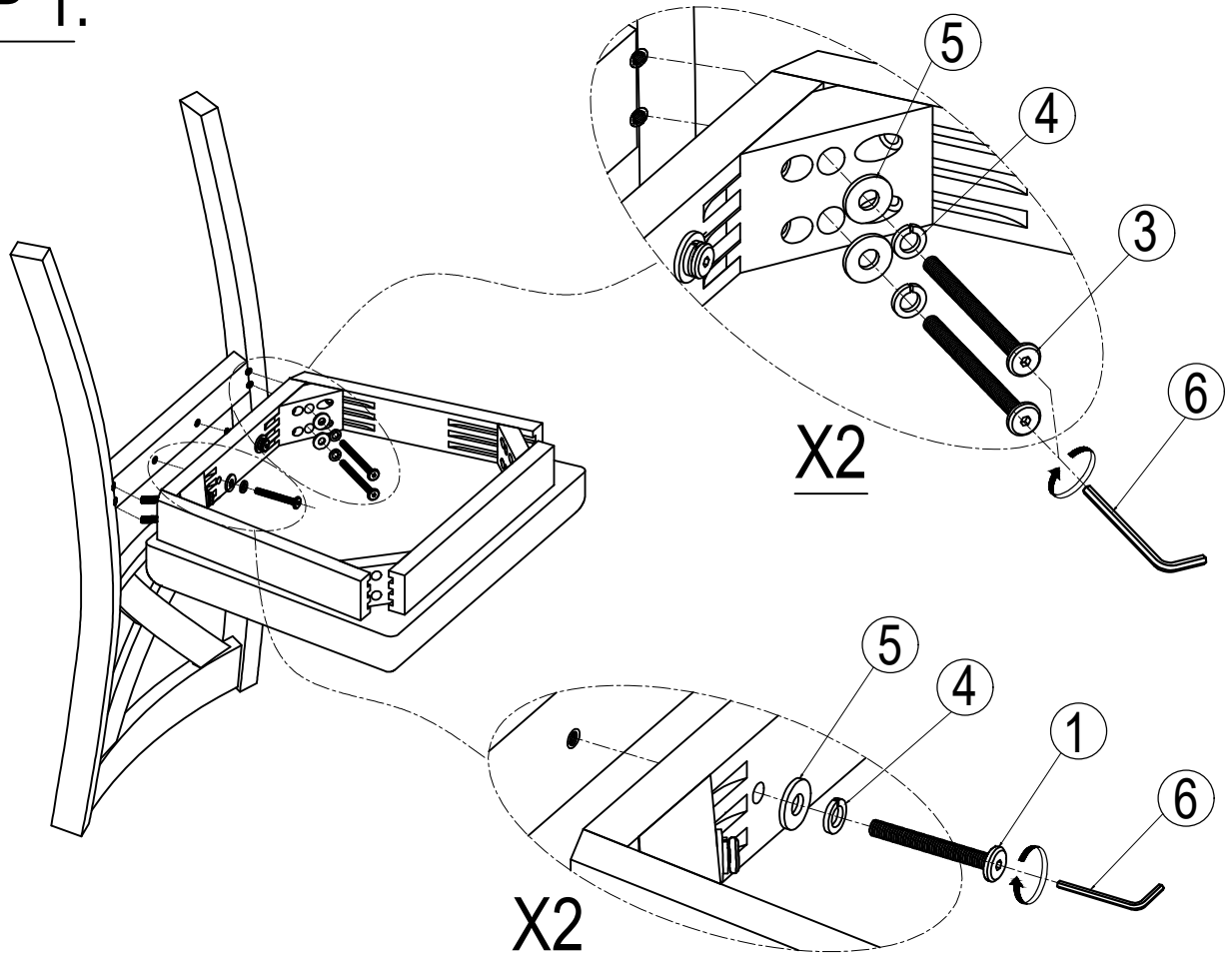


# Part List

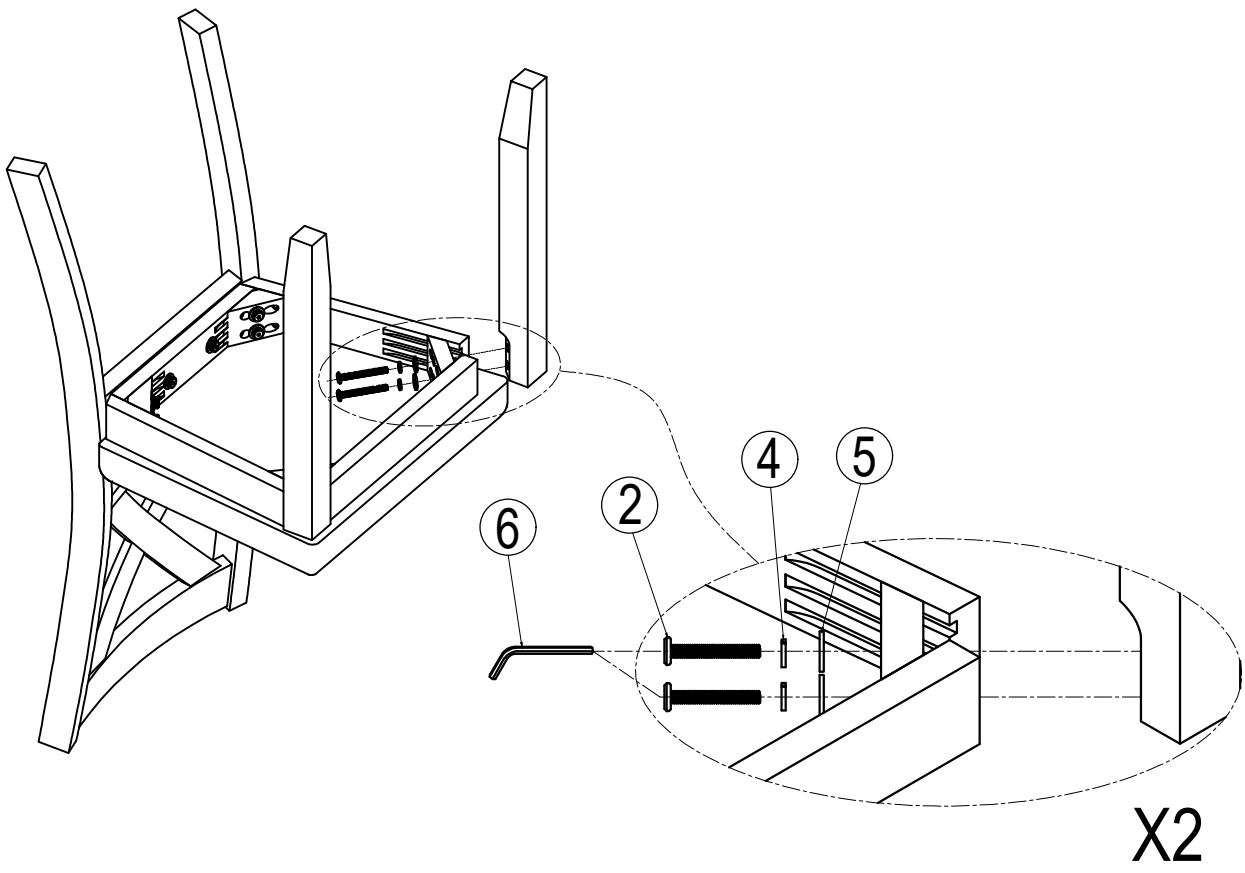
# Hardware List

<p><b>(A)</b></p> 	<p><b>(1)</b></p>  <p>Ø 1/4" x 40 mm</p>
<p>CUSHION SEAT (4 pcs)</p>	<p>BOLT (8 pcs)</p>
<p><b>(B)</b></p> 	<p><b>(2)</b></p>  <p>Ø 1/4" x 55 mm</p>
<p>CHAIR BACK (4 pcs)</p>	<p>BOLT (16 pcs)</p>
<p><b>(C)</b></p> 	<p><b>(3)</b></p>  <p>Ø 1/4" x 75 mm</p>
<p>FRONT LEGS (8 pcs)</p>	<p>BOLT (16 pcs)</p>
	<p><b>(4)</b></p>  <p>Ø5/16" x 13 mm</p>
	<p>FLAT WASHER (40 pcs)</p>
	<p><b>(5)</b></p>  <p>Ø5/16" x 19 mm</p>
	<p>LOCK WASHER (40 pcs)</p>
	<p><b>(6)</b></p>  <p>4 mm</p>
	<p>ALLEN KEY (1 pc)</p>

# STEP 1:

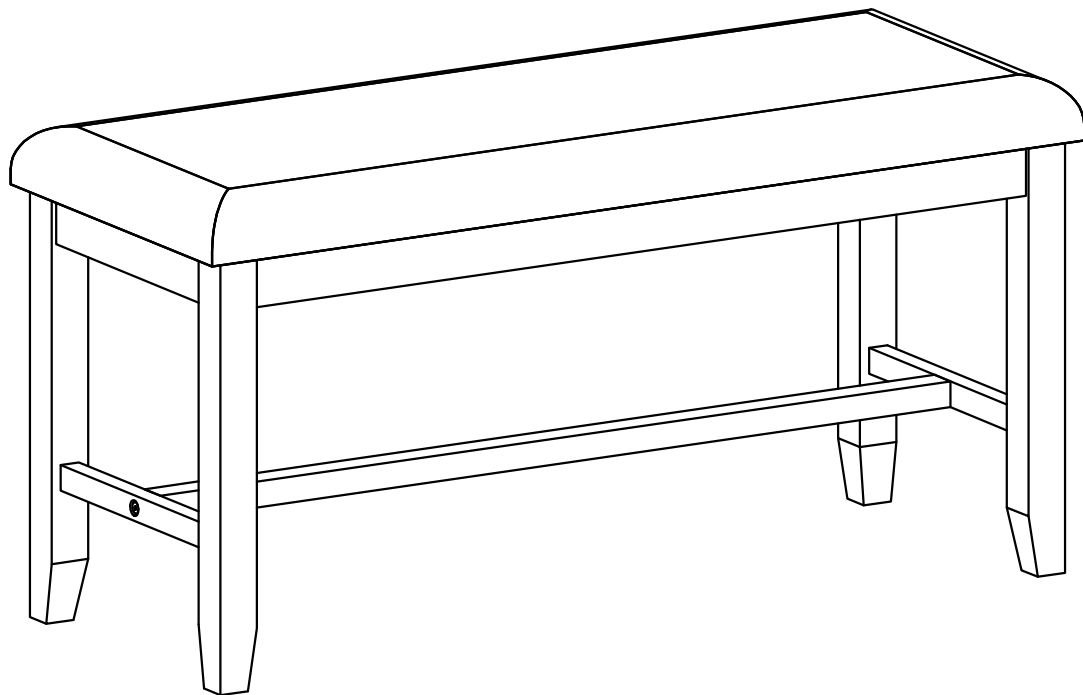


# STEP 2:



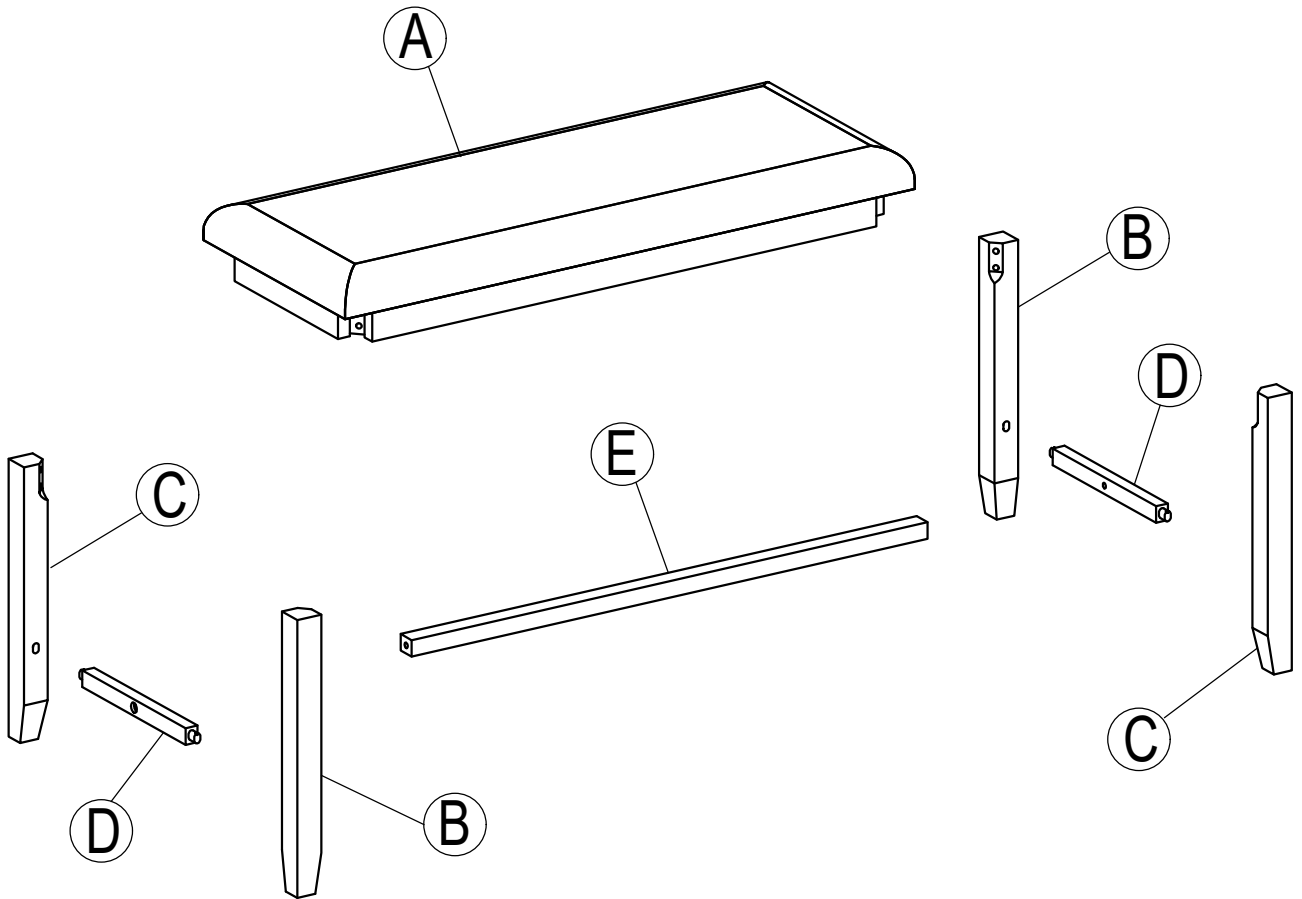
# ASSEMBLY INSTRUCTIONS

ITEM NO.WF292250



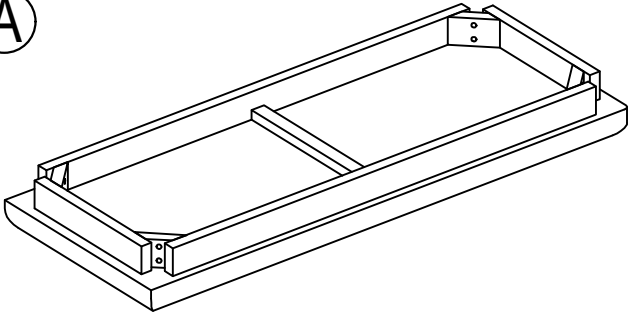
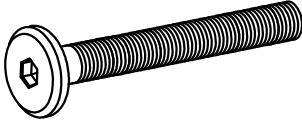
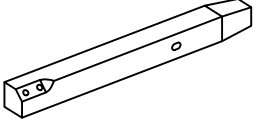
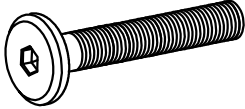
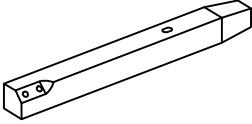

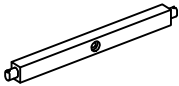
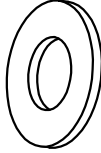
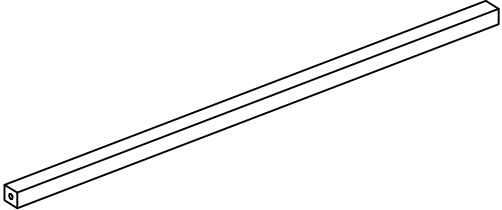
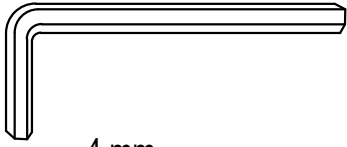
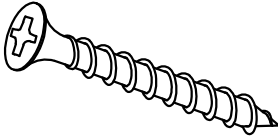
## IMPORTANT NOTE :

- ① PLACE ALL PARTS ON A CLEAN AND SMOOTH SURFACE SUCH AS A RUG OR CARPET TO AVOID THE PARTS FROM BEING SCRATCHED.
- ② BEFORE YOU BEGIN,KINDLY FOLLOW THE ASSEMBLY INSTRUCTIONS STEP BY STEP.
- ③ DO NOT TIGHTEN ALL SCREWS AND BOLTS UNTIL THE BENCH IS FULLY SET-UP.

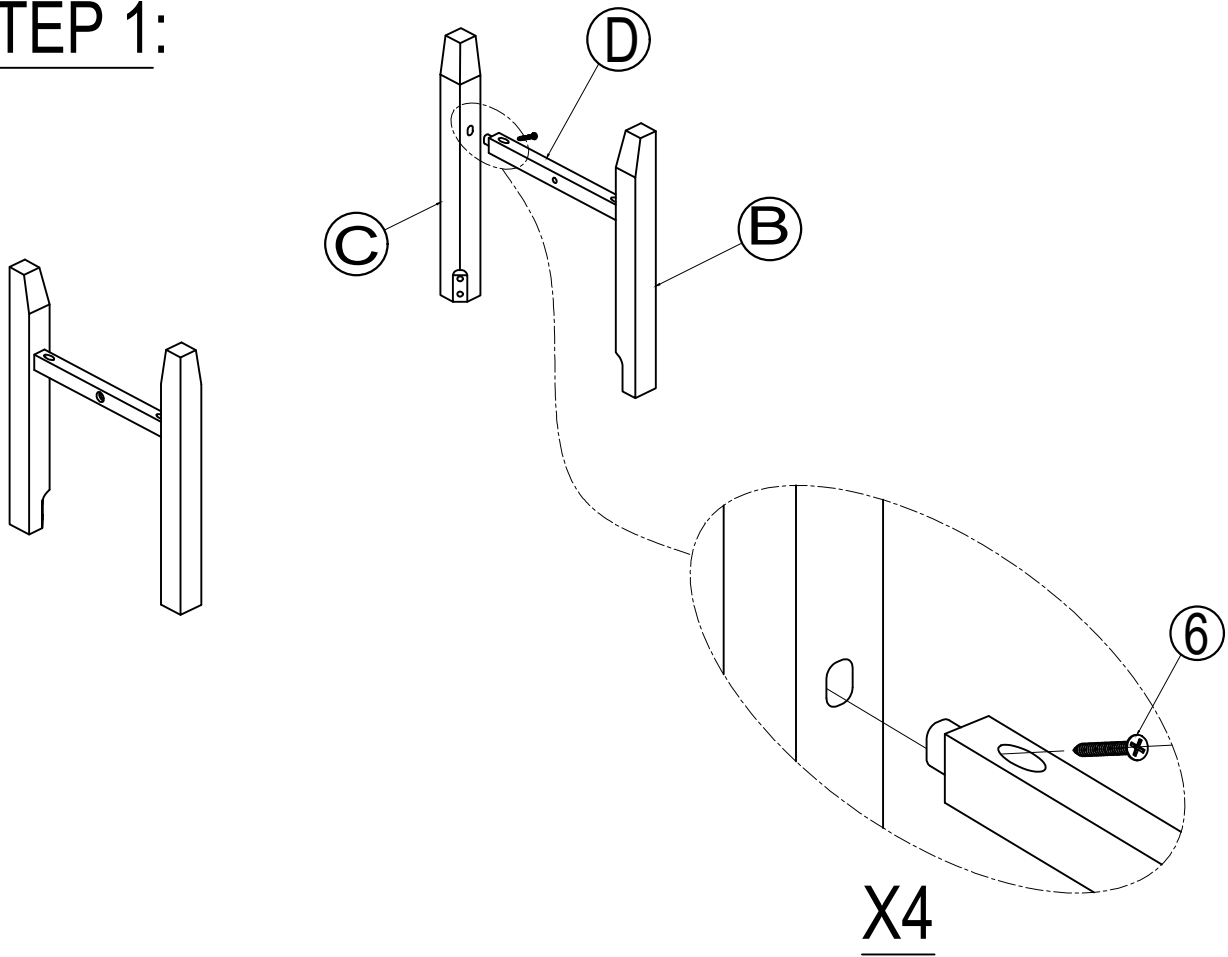


# Part List

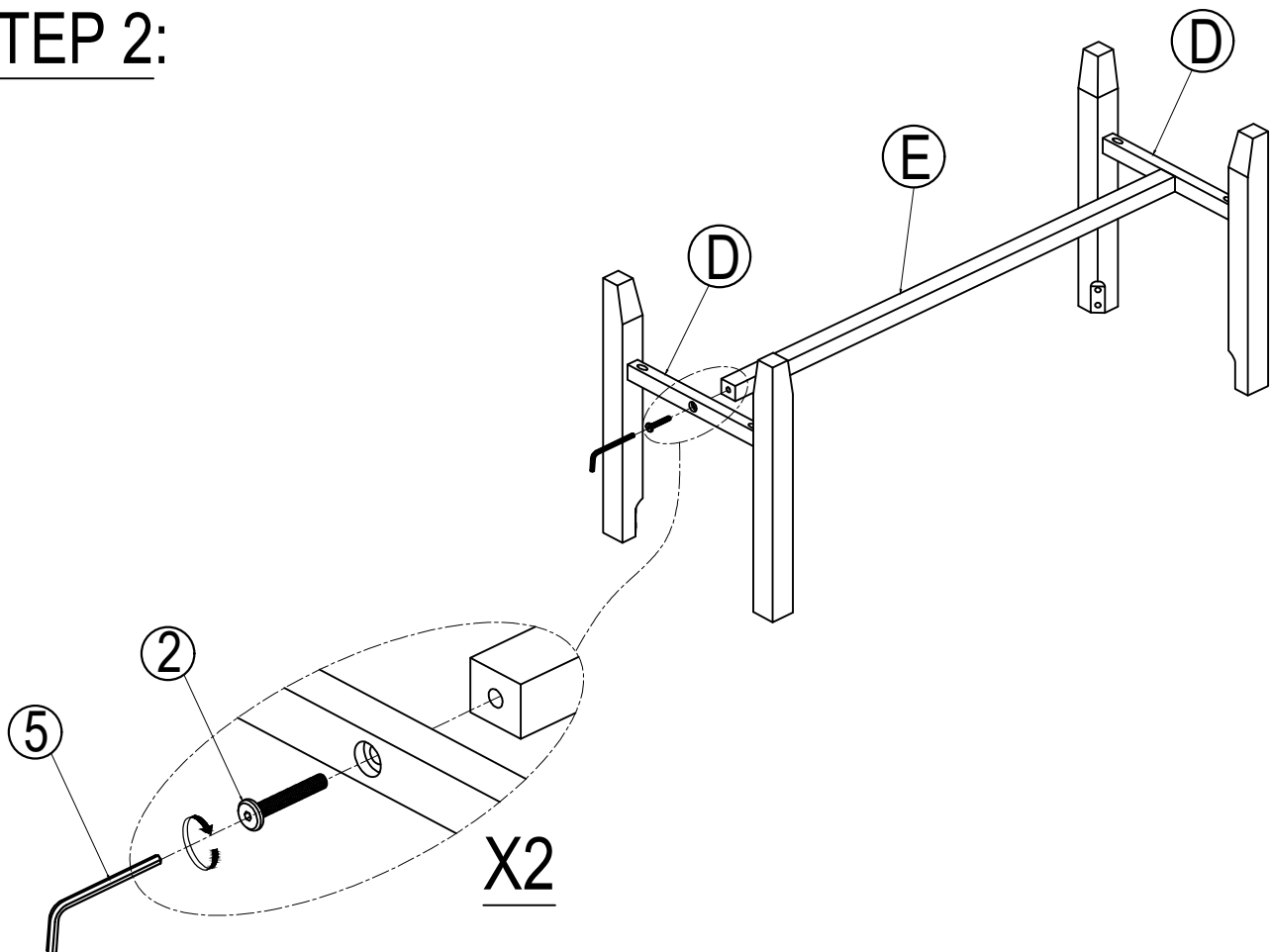
# Hardware List

<p><b>(A)</b></p>  <p>TOP TABLE (1 pc)</p>	<p><b>1</b></p>  <p>Ø 1/4" x 50 mm</p> <p>BOLT (8 pcs)</p>
<p><b>(B)</b></p>  <p>LEG LEFT (2 pcs)</p>	<p><b>2</b></p>  <p>Ø 1/4" x 30 mm</p> <p>BOLT (2 pcs)</p>
<p><b>(C)</b></p>  <p>LEG RIGHT (2 pcs)</p>	<p><b>3</b></p>  <p>Ø5/16" x 13 mm</p> <p>FLAT WASHER (8 pcs)</p>
<p><b>(D)</b></p>  <p>SHORT STRETCHER (2 pc)</p>	<p><b>4</b></p>  <p>Ø5/16" x 19 mm</p> <p>LOCK WASHER (8 pcs)</p>
<p><b>(E)</b></p>  <p>LONG STRETCHER (1 pc)</p>	<p><b>5</b></p>  <p>4 mm</p> <p>ALLEN KEY (1 pc)</p>
	<p><b>6</b></p>  <p>Ø4 x 38 mm</p> <p>WOOD SCREW (4 pcs)</p>

STEP 1:



STEP 2:





# STEP 3:

