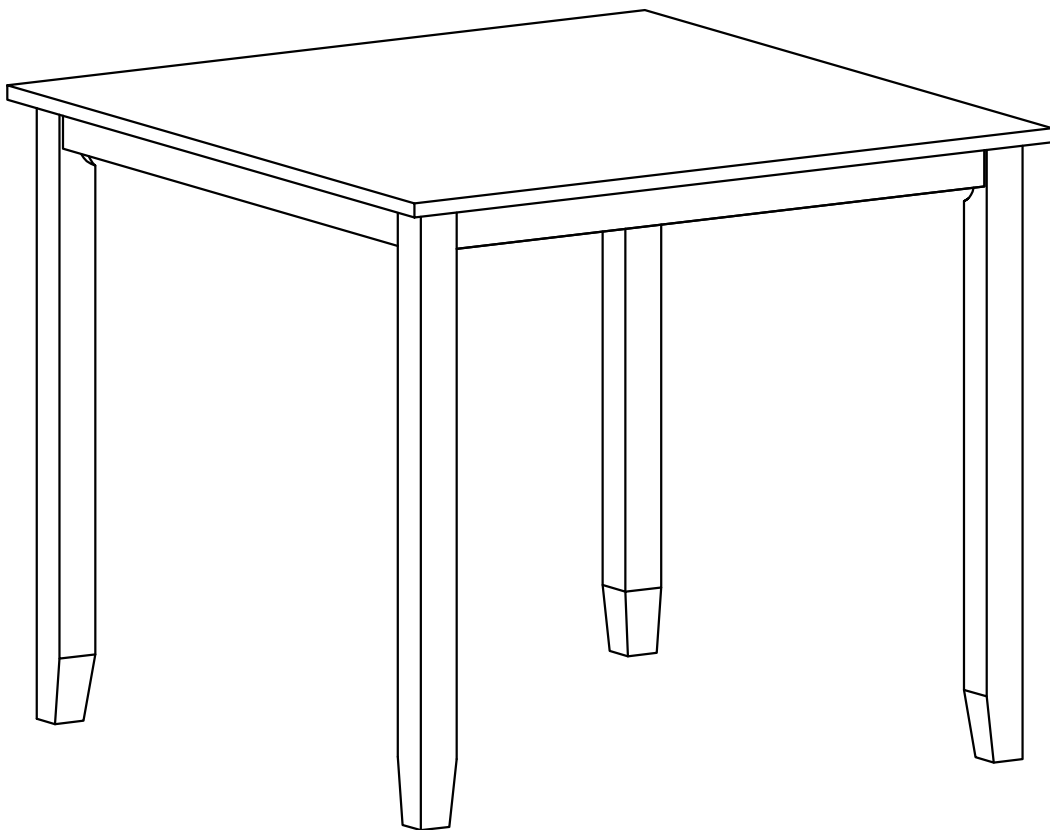


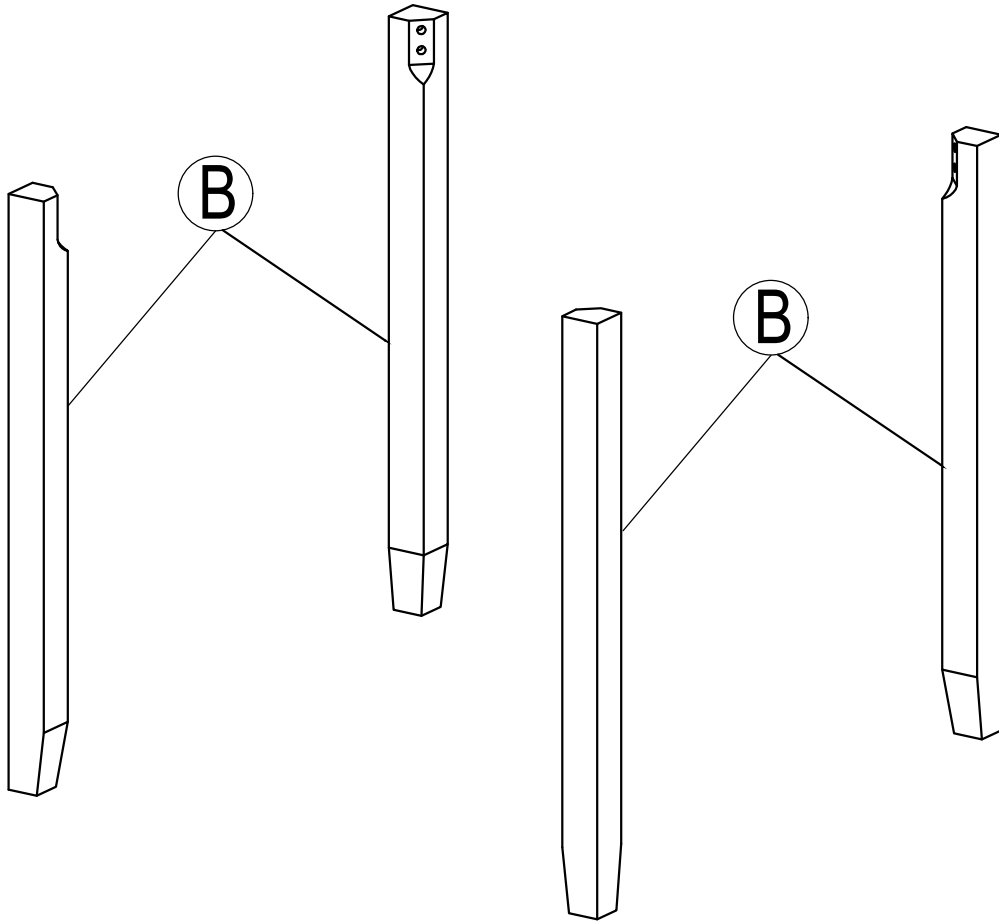
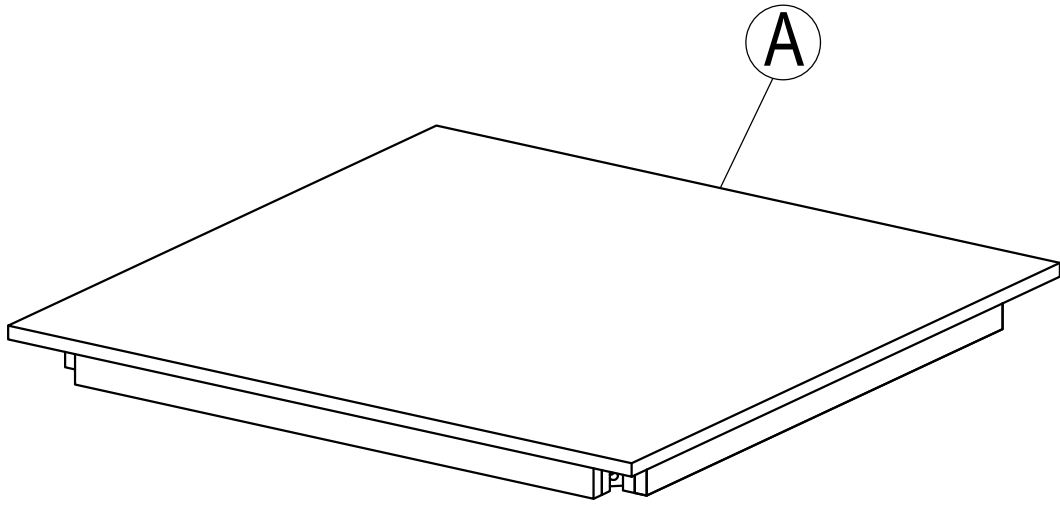
ASSEMBLY INSTRUCTIONS

ITEM NO.WF290972



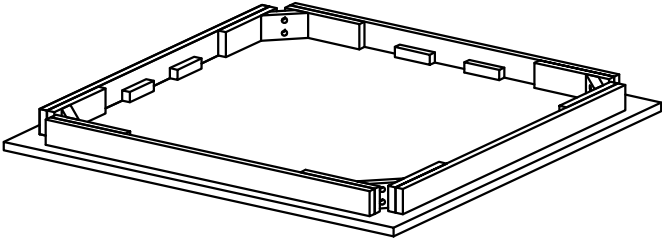
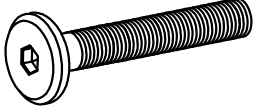

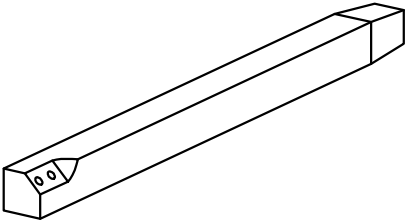
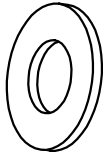

IMPORTANT NOTE :

- ① PLACE ALL PARTS ON A CLEAN AND SMOOTH SURFACE SUCH AS A RUG OR CARPET TO AVOID THE PARTS FROM BEING SCRATCHED.
- ② BEFORE YOU BEGIN,KINDLY FOLLOW THE ASSEMBLY INSTRUCTIONS STEP BY STEP.
- ③ DO NOT TIGHTEN ALL SCREWS AND BOLTS UNTIL THE TABLE IS FULLY SET-UP.



Part List

Hardware List

<p>A</p>  <p>TABLE TOP(1 pc)</p>	<p>1</p>  <p>Ø 5/16" x 65 mm</p> <p>BOLT (8 pcs)</p>
	<p>2</p>  <p>Ø5/16" x 13 mm</p> <p>FLAT WASHER (8 pcs)</p>
<p>B</p>  <p>TABLE LEG(4 pcs)</p>	<p>3</p>  <p>Ø5/16" x 19 mm</p> <p>LOCK WASHER (8 pcs)</p>
	<p>4</p>  <p>4 mm</p> <p>ALLEN KEY (1 pc)</p>

STEP 1:

