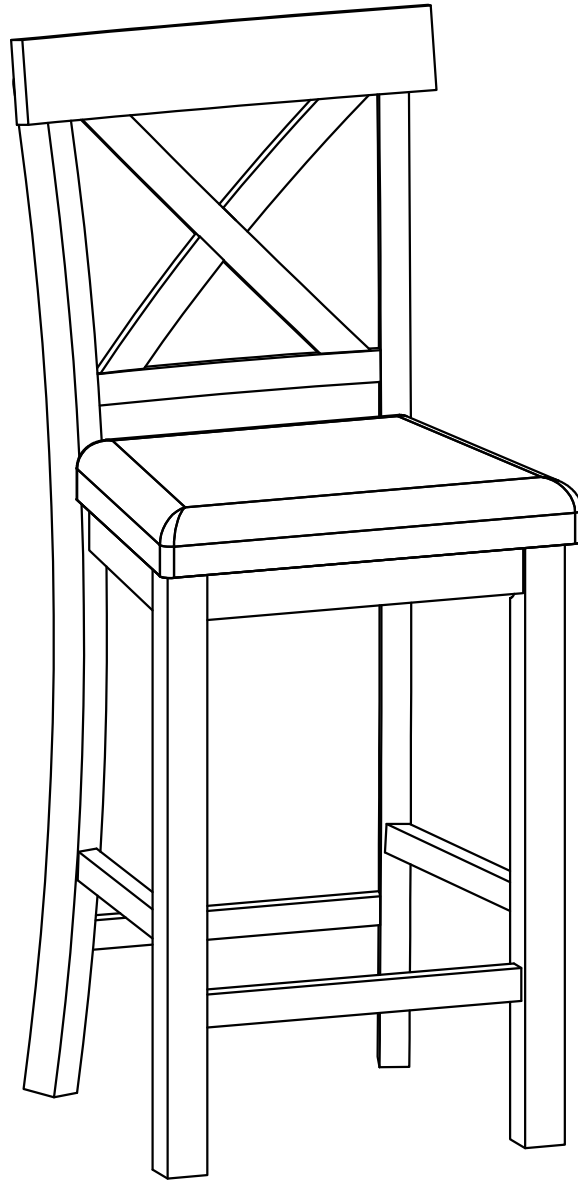


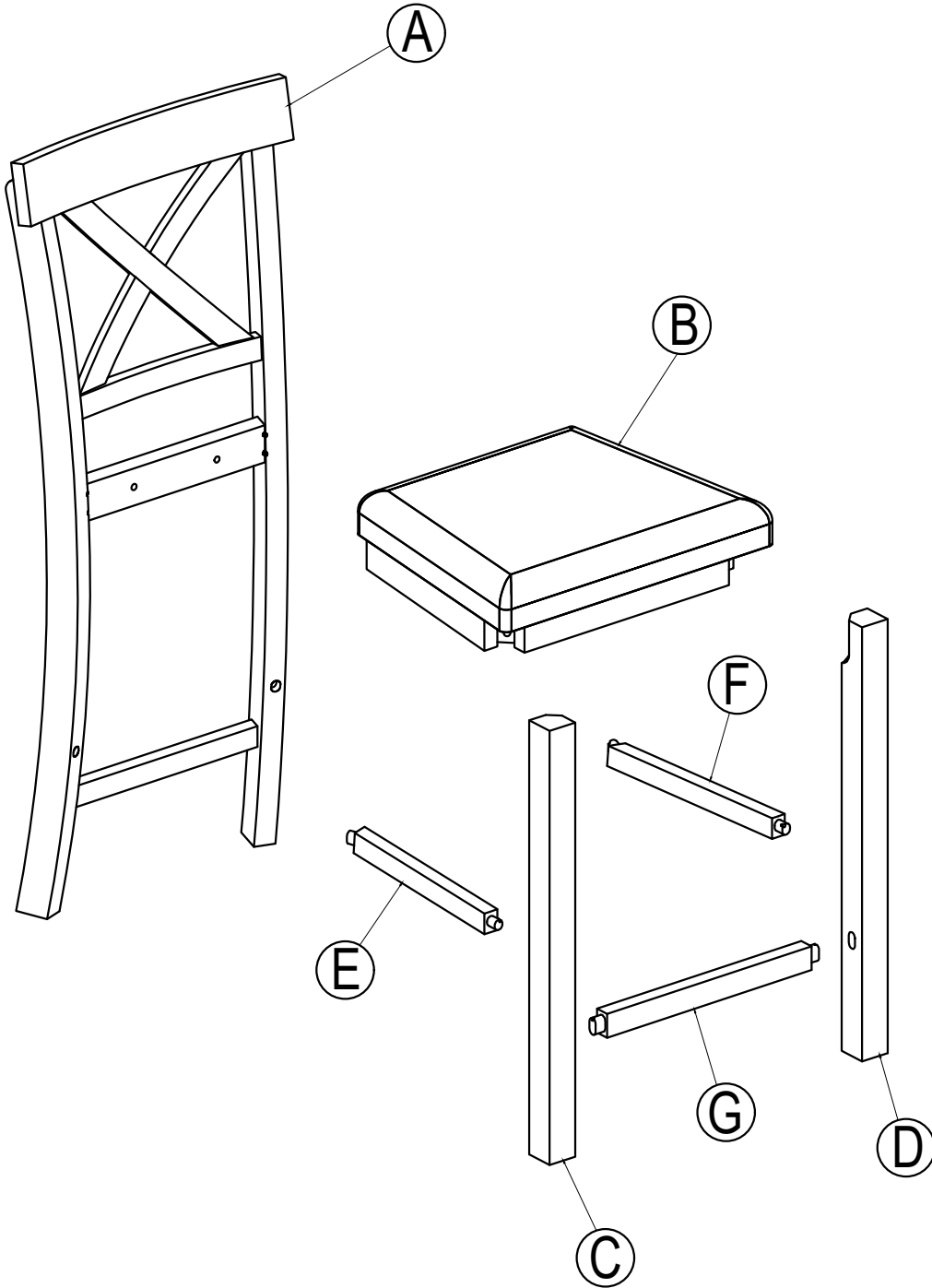
ASSEMBLY INSTRUCTIONS

ITEM NO.WF290170



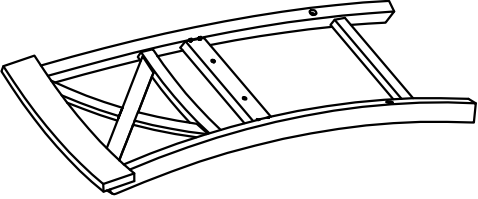
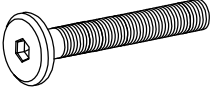
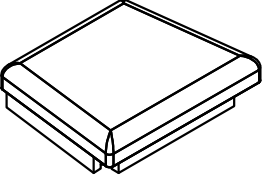
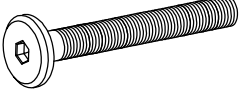
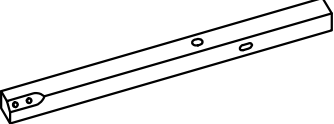
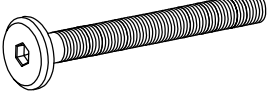
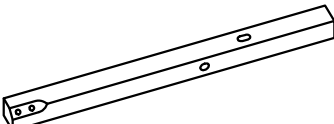

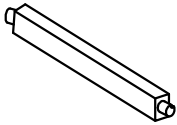
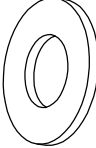
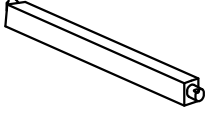

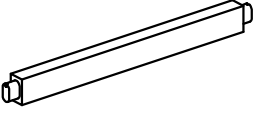
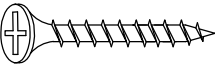
IMPORTANT NOTE :

- ① PLACE ALL PARTS ON A CLEAN AND SMOOTH SURFACE SUCH AS A RUG OR CARPET TO AVOID THE PARTS FROM BEING SCRATCHED.
- ② BEFORE YOU BEGIN,KINDLY FOLLOW THE ASSEMBLY INSTRUCTIONS STEP BY STEP.
- ③ DO NOT TIGHTEN ALL SCREWS AND BOLTS UNTIL THE CHAIR IS FULLY SET-UP.

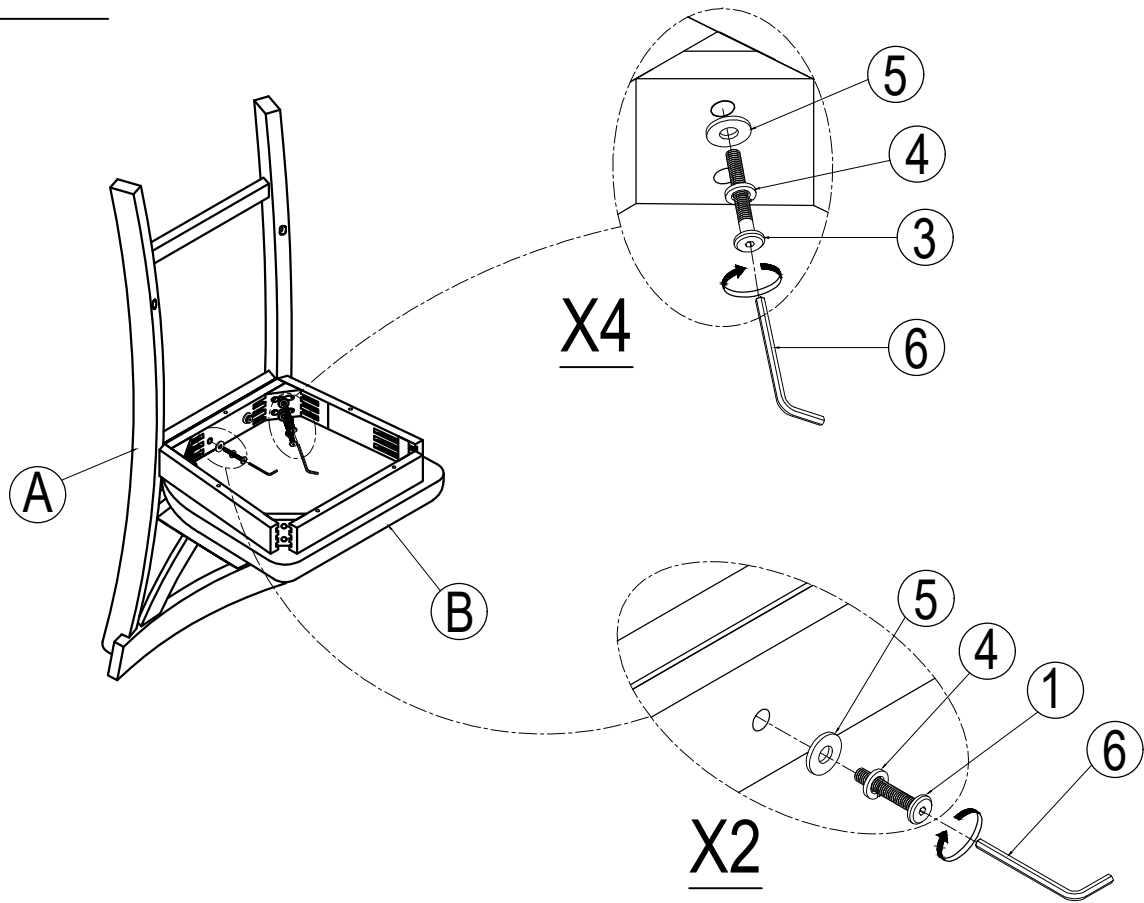


Part List

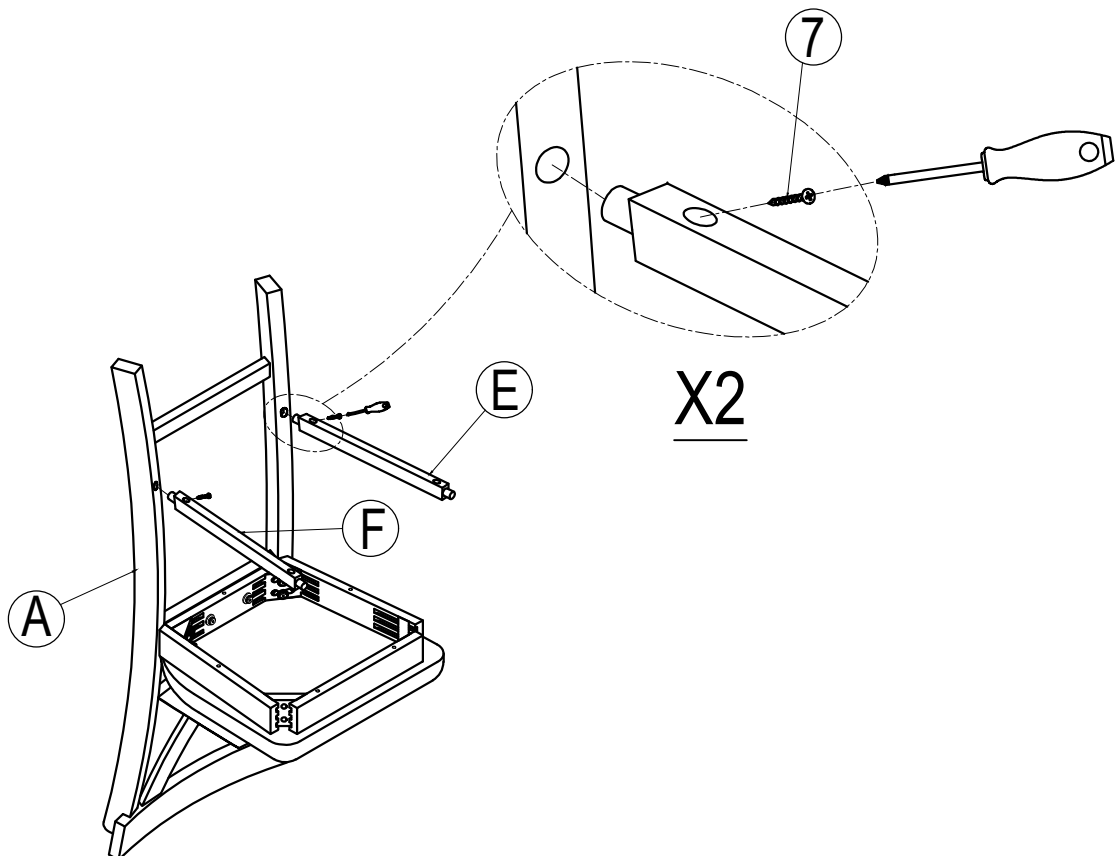
Hardware List

<p>(A)</p> 	<p>(1)</p>  <p>Ø 1/4" x 40mm</p>
<p>BACK FRAME (4pcs)</p>	<p>BOLT (8pcs)</p>
<p>(B)</p> 	<p>(2)</p>  <p>Ø 1/4" x 55mm</p>
<p>SEAT FRAME (4pcs)</p>	<p>BOLT (16pcs)</p>
<p>(C)</p> 	<p>(3)</p>  <p>Ø 1/4" x 75mm</p>
<p>LEG LEFT (4pcs)</p>	<p>BOLT (16pcs)</p>
<p>(D)</p> 	<p>(4)</p>  <p>Ø5/16" x 13mm</p>
<p>LEG RIGHT (4pcs)</p>	<p>FLAT WASHER (40pcs)</p>
<p>(E)</p> 	<p>(5)</p>  <p>Ø5/16" x 19mm</p>
<p>LEFT SIDE STRETCHER (4pcs)</p>	<p>LOCK WASHER (40pcs)</p>
<p>(F)</p> 	<p>(6)</p>  <p>4mm</p>
<p>RIGHT SIDE STRETCHER (4pcs)</p>	<p>ALLEN KEY (1pc)</p>
<p>(G)</p> 	<p>(7)</p>  <p>Ø4 x 38mm</p>
<p>FRONT STRETCHER (4pcs)</p>	<p>WOOD SCREWS (24pcs)</p>

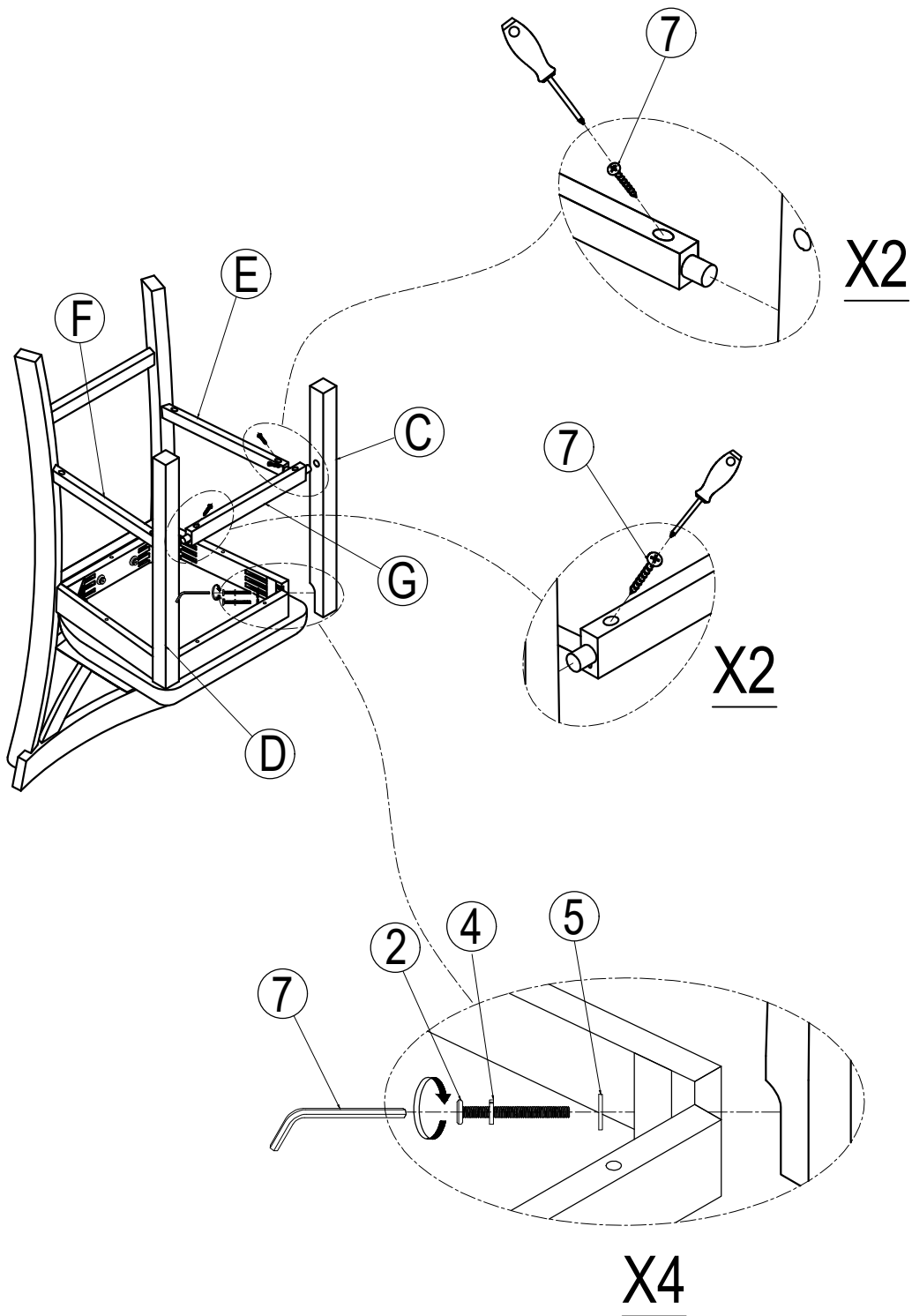
STEP 1:



STEP 2:

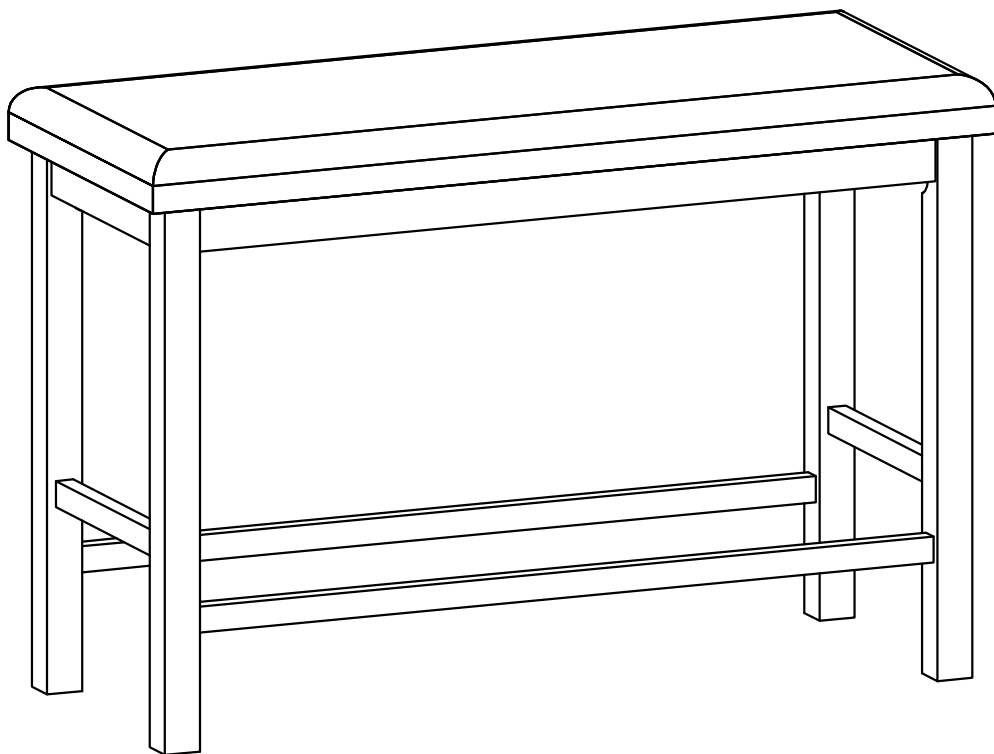


STEP 3:



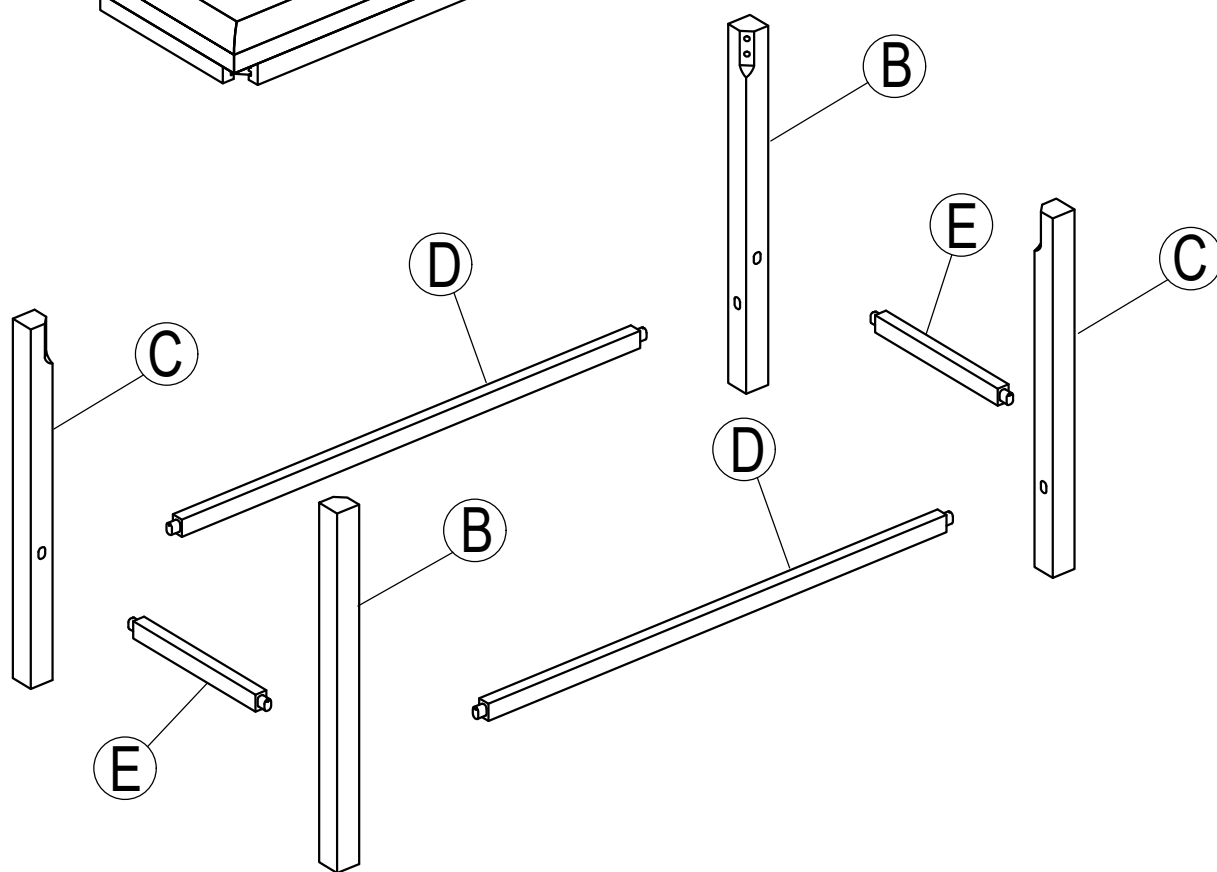
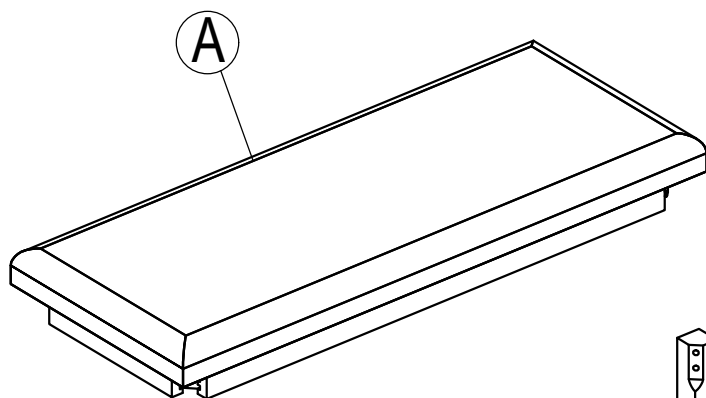
ASSEMBLY INSTRUCTIONS

ITEM NO.WF290170



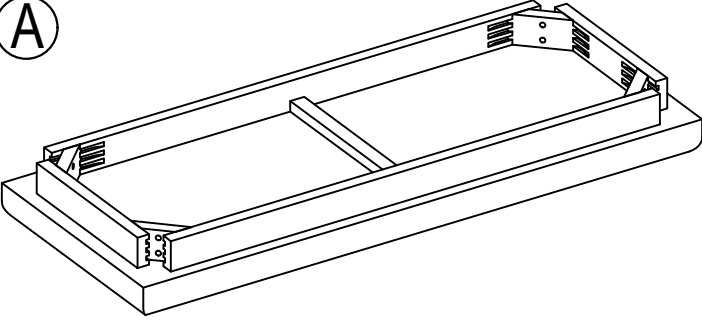
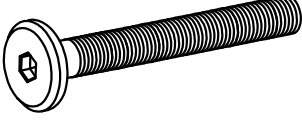
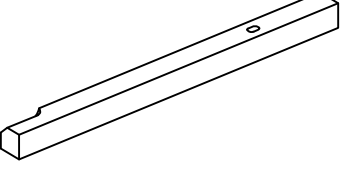

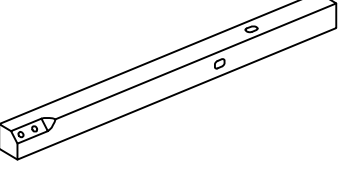
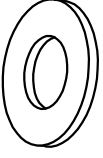
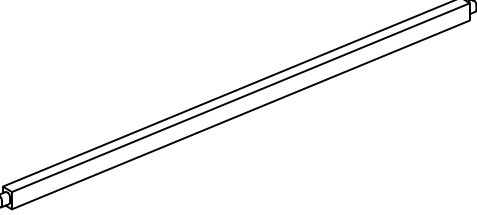
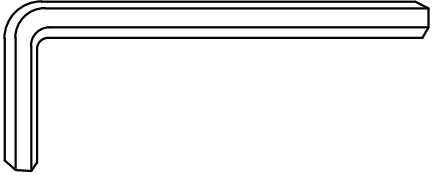
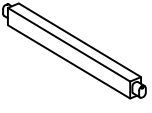
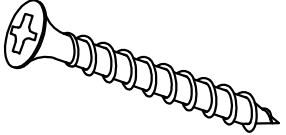
IMPORTANT NOTE :

- ① PLACE ALL PARTS ON A CLEAN AND SMOOTH SURFACE SUCH AS A RUG OR CARPET TO AVOID THE PARTS FROM BEING SCRATCHED.
- ② BEFORE YOU BEGIN,KINDLY FOLLOW THE ASSEMBLY INSTRUCTIONS STEP BY STEP.
- ③ DO NOT TIGHTEN ALL SCREWS AND BOLTS UNTIL THE BENCH IS FULLY SET-UP.

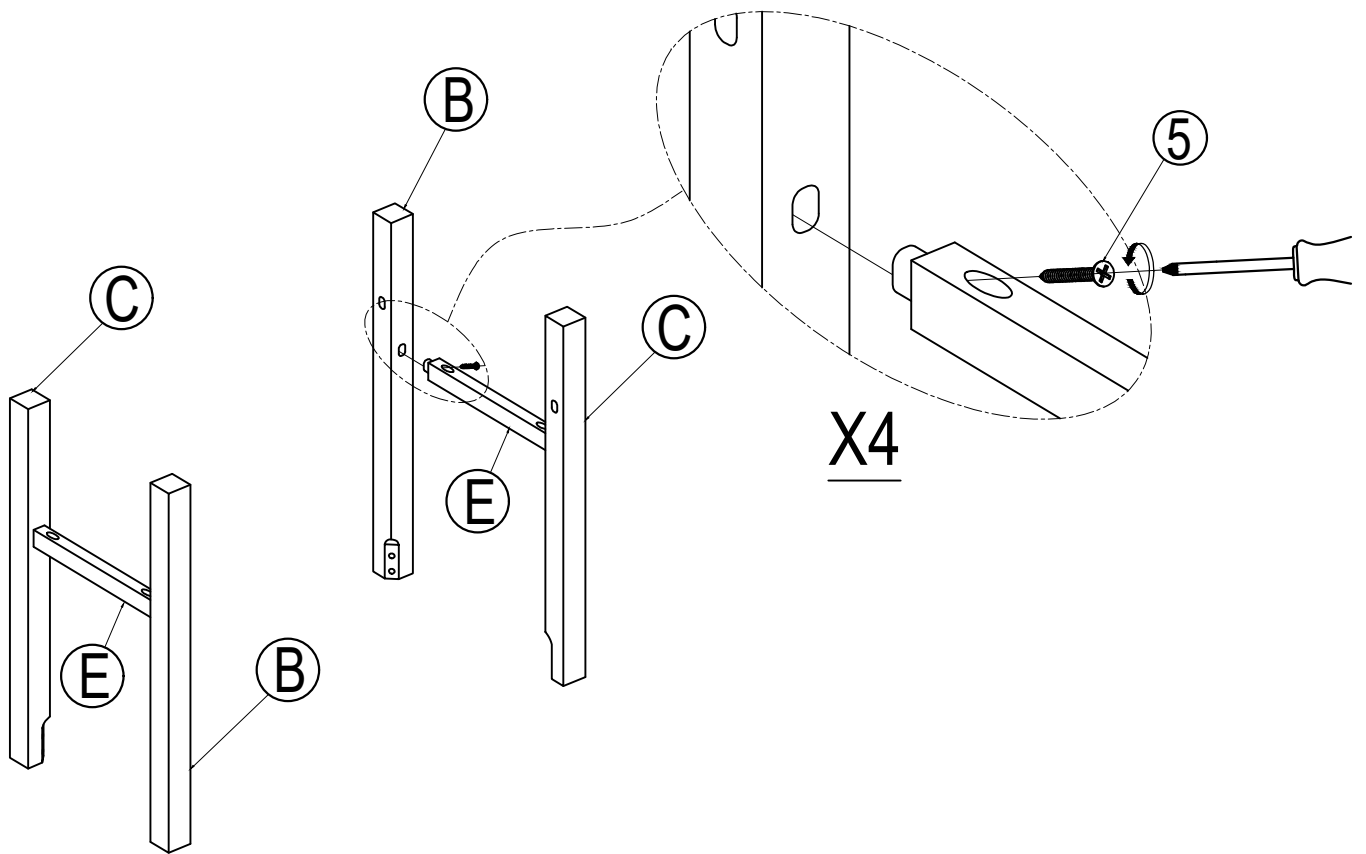


Part List

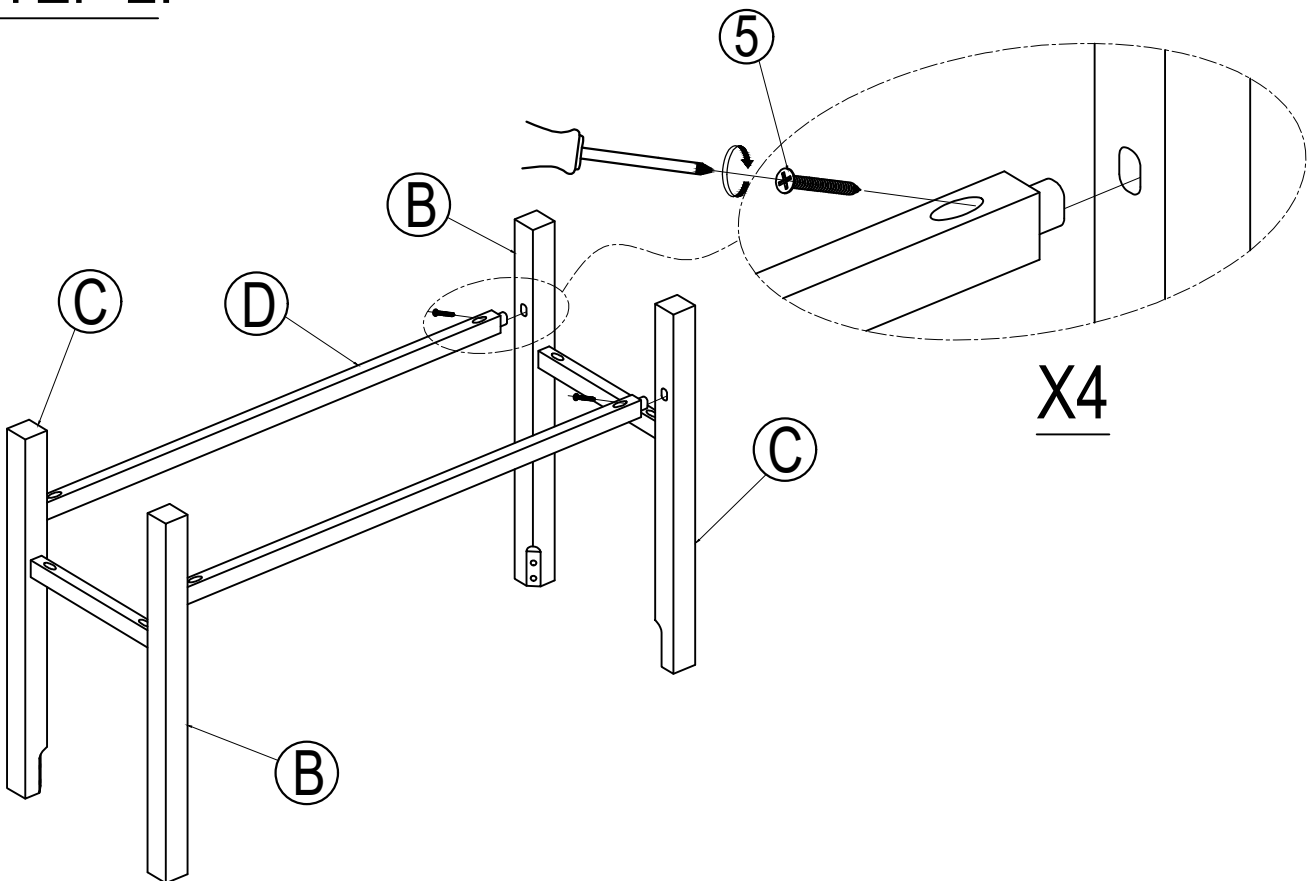
Hardware List

<p>(A)</p> 	<p>(1)</p>  <p>Ø 1/4" x 50 mm</p>
<p>TOP TABLE (1 pc)</p>	<p>BOLT (8 pcs)</p>
<p>(B)</p> 	<p>(2)</p>  <p>Ø5/16" x 13 mm</p>
<p>LEG LEFT (2 pcs)</p>	<p>FLAT WASHER (8 pcs)</p>
<p>(C)</p> 	<p>(3)</p>  <p>Ø5/16" x 19 mm</p>
<p>LEG RIGHT (2 pcs)</p>	<p>LOCK WASHER (8 pcs)</p>
<p>(D)</p>  <p>LONG STRETCHER (2 pcs)</p>	<p>(4)</p>  <p>4 mm</p>
<p>ALLEN KEY (1 pc)</p>	<p>ALLEN KEY (1 pc)</p>
<p>(E)</p>  <p>SHORT STRETCHER (2 pcs)</p>	<p>(5)</p>  <p>Ø4 x 38 mm</p>
<p>WOOD SCREW (8 pcs)</p>	<p>WOOD SCREW (8 pcs)</p>

STEP 1:



STEP 2:



STEP 3:

