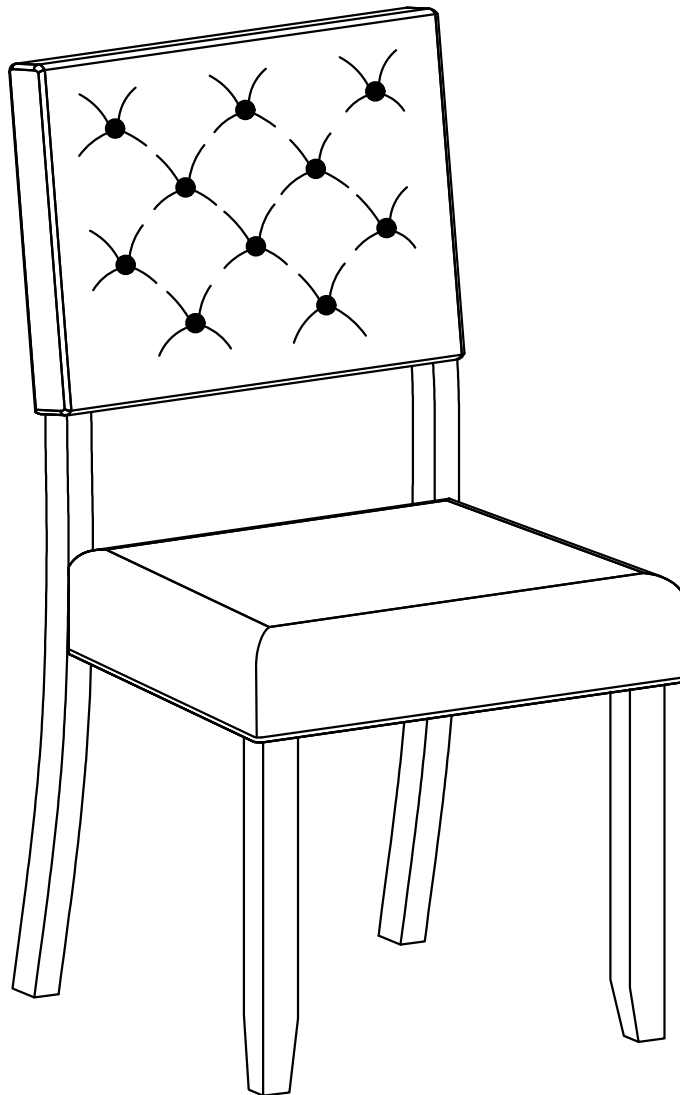


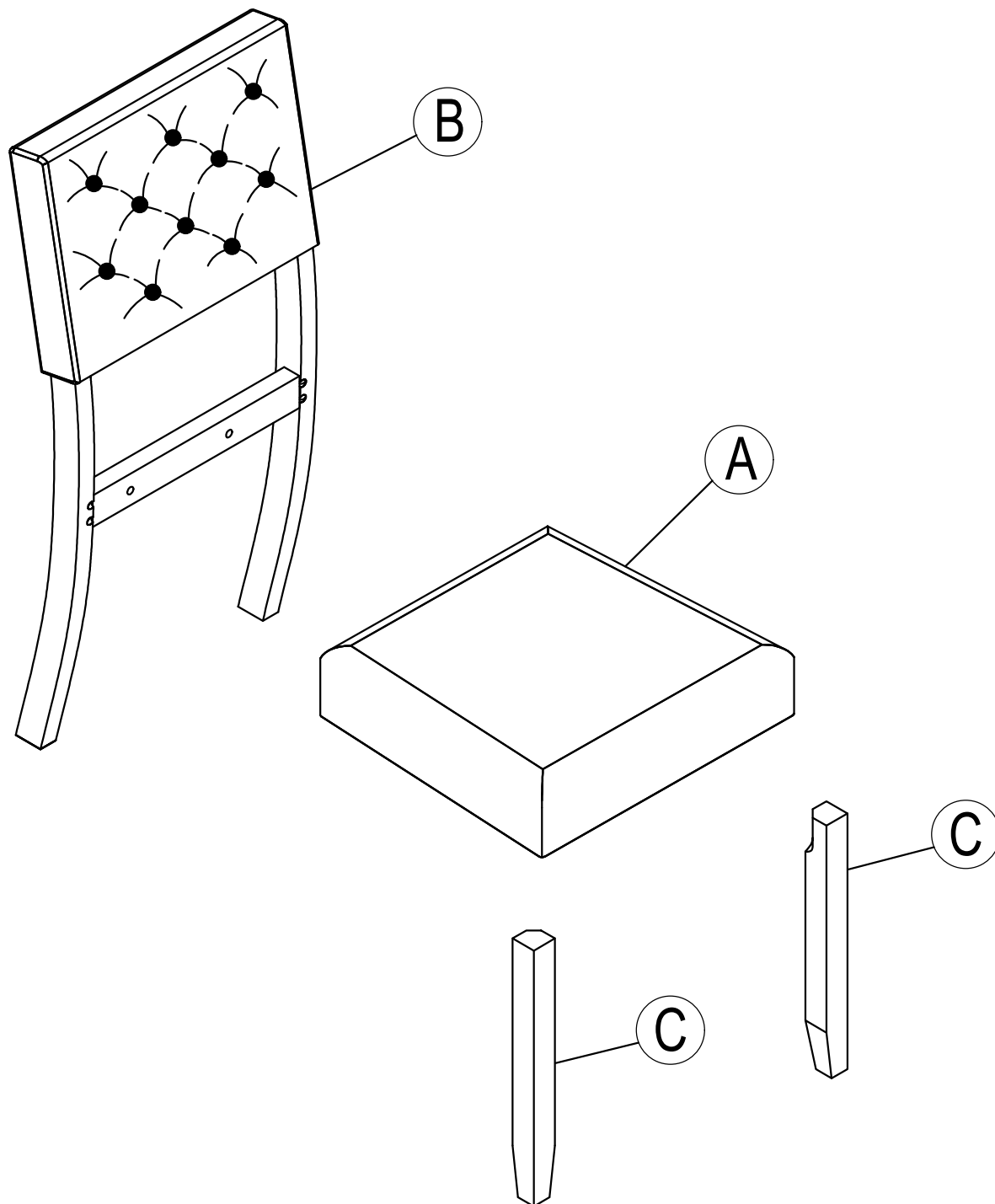
ASSEMBLY INSTRUCTIONS

ITEM NO. WF291042



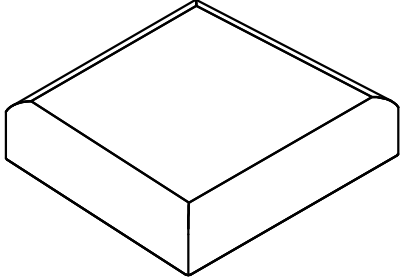
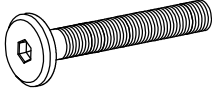
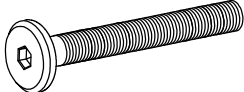
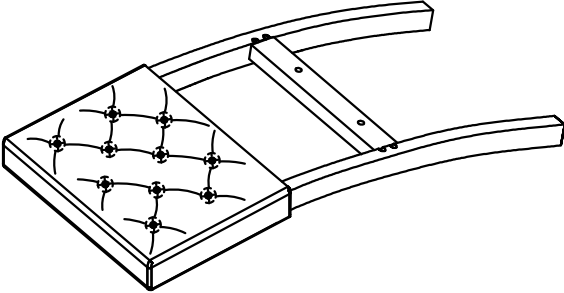
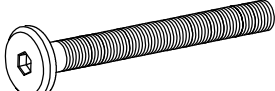

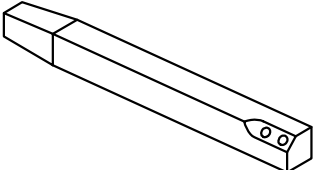
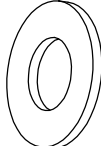

IMPORTANT NOTE :

- ① PLACE ALL PARTS ON A CLEAN AND SMOOTH SURFACE SUCH AS A RUG OR CARPET TO AVOID THE PARTS FROM BEING SCRATCHED.
- ② BEFORE YOU BEGIN, KINDLY FOLLOW THE ASSEMBLY INSTRUCTIONS STEP BY STEP.
- ③ DO NOT TIGHTEN ALL SCREWS AND BOLTS UNTIL THE CHAIR IS FULLY SET-UP.

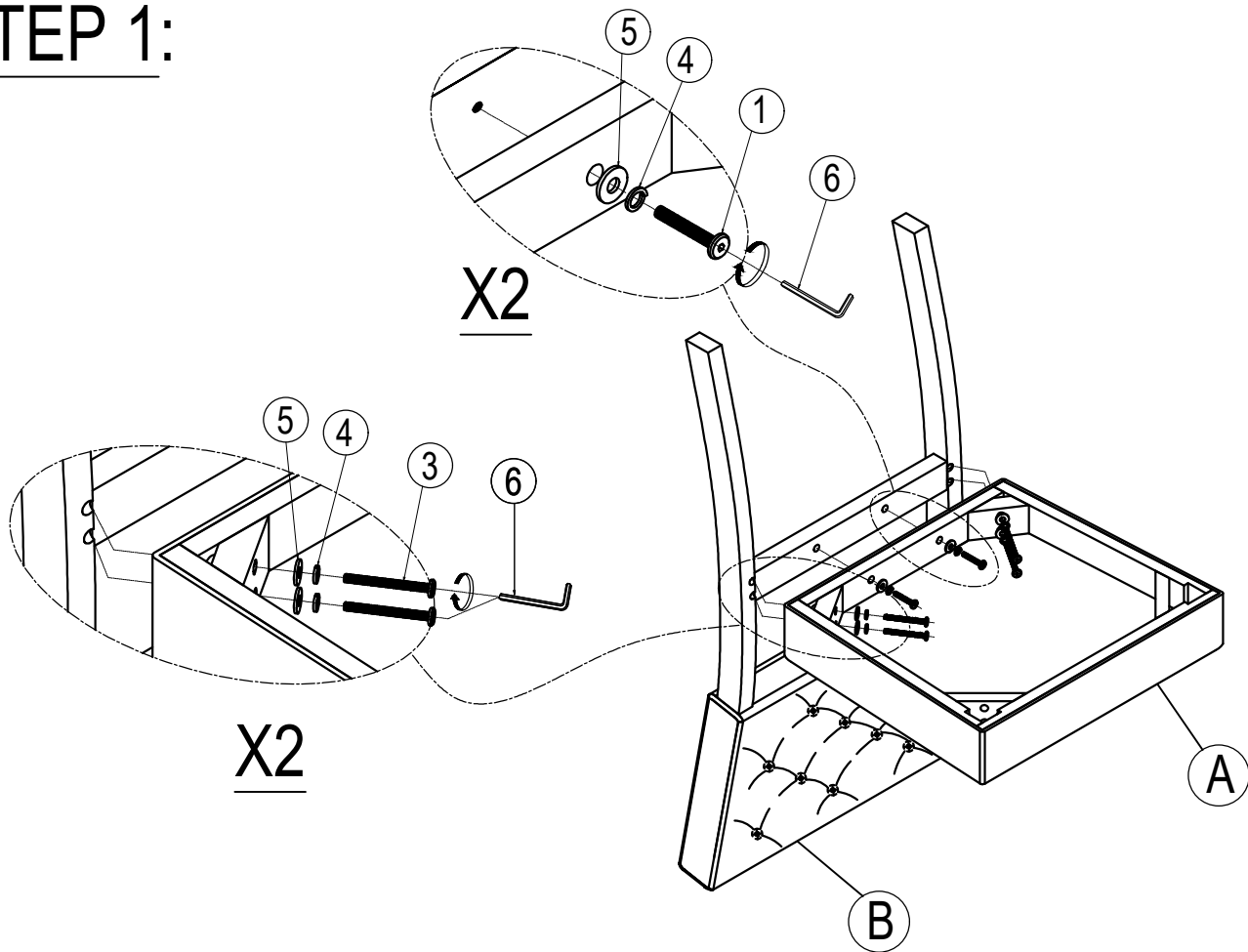


Part List

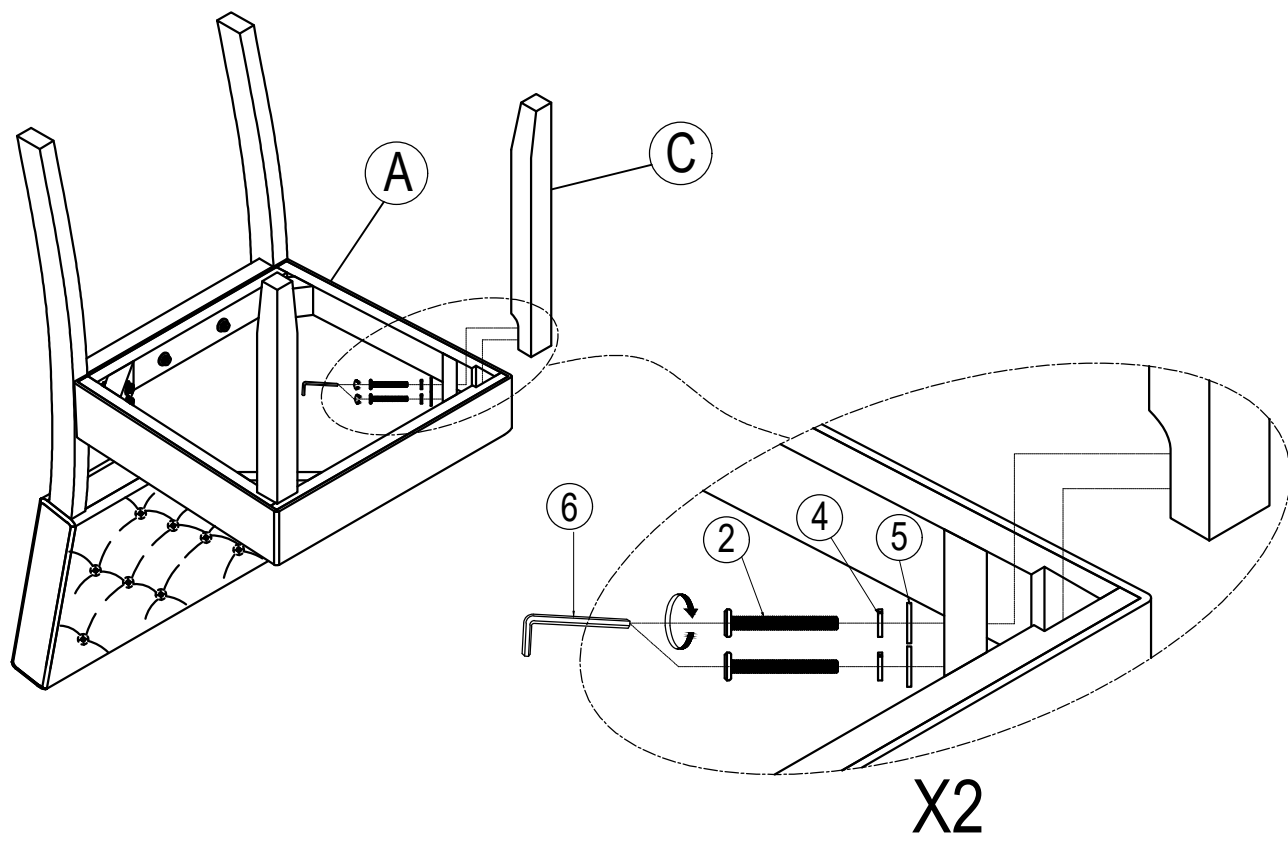
Hardware List

<p>(A)</p>  <p>SEAT CHAIR (4 pcs)</p>	<p>(1)</p>  <p>Ø 1/4" x 40 mm</p>
	<p>BOLT (8 pcs)</p>
	<p>(2)</p>  <p>Ø 1/4" x 55 mm</p>
	<p>BOLT (16 pcs)</p>
<p>(B)</p>  <p>BACK CHAIR (4 pcs)</p>	<p>(3)</p>  <p>Ø 1/4" x 75 mm</p>
	<p>BOLT (16 pcs)</p>
	<p>(4)</p>  <p>Ø5/16" x 13 mm</p>
	<p>FLAT WASHER (40 pcs)</p>
<p>(C)</p>  <p>LEG FRONT (8 pcs)</p>	<p>(5)</p>  <p>Ø5/16" x 19 mm</p>
	<p>LOCK WASHER (40 pcs)</p>
	<p>(6)</p>  <p>4 mm</p>
	<p>ALLEN KEY (1 pc)</p>

STEP 1:

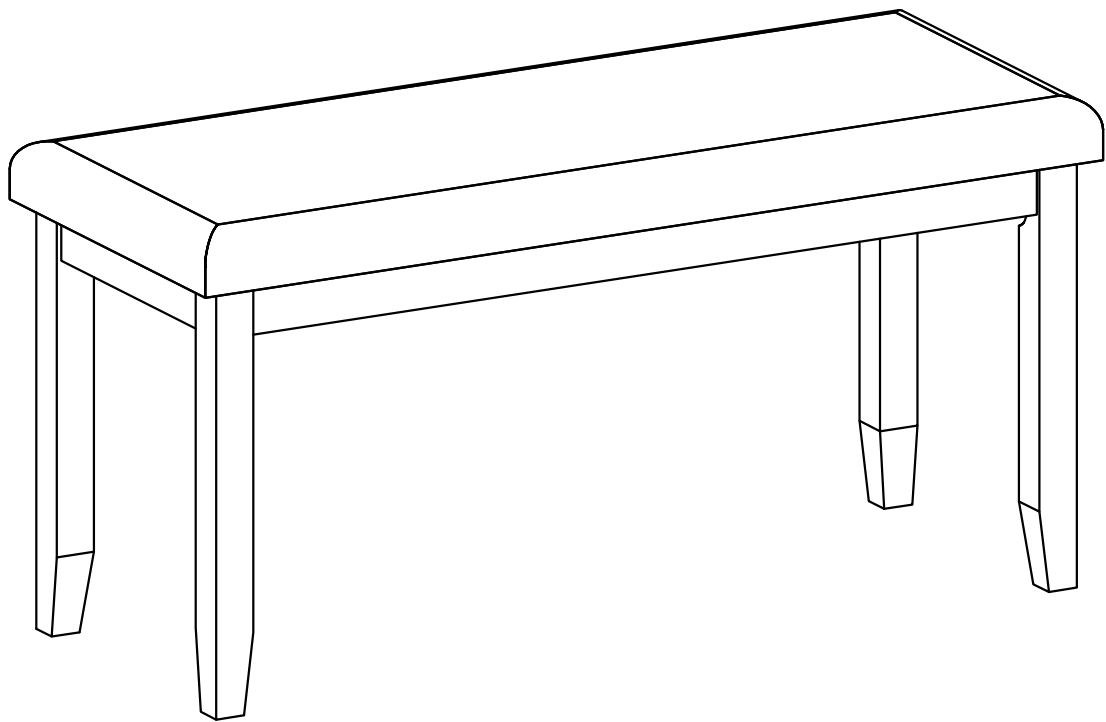


STEP 2:



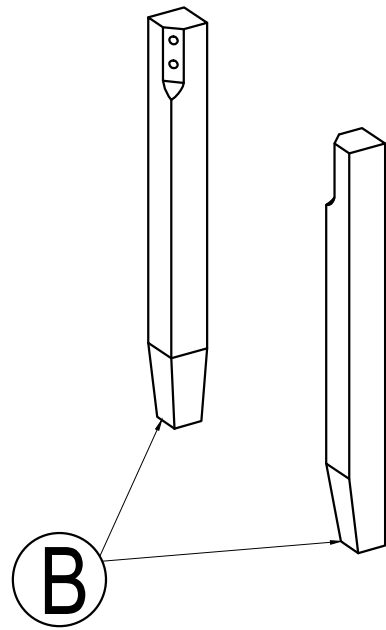
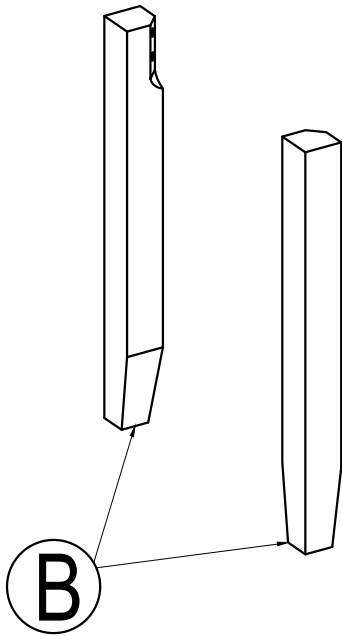
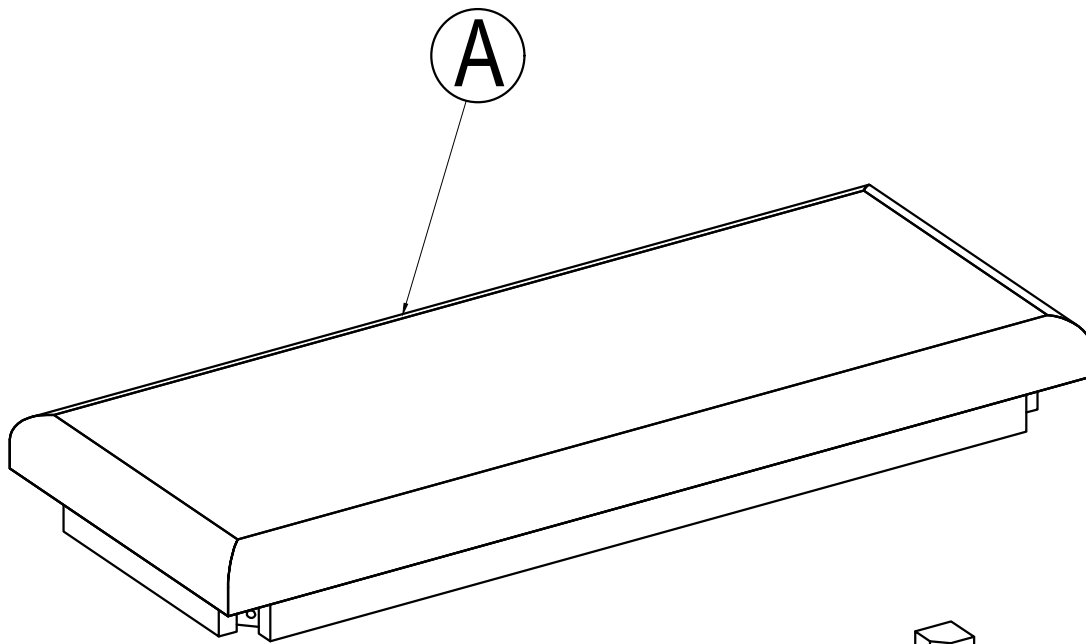
ASSEMBLY INSTRUCTIONS

ITEM NO.WF291042



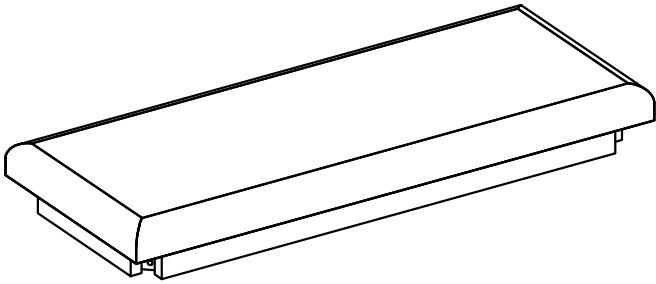
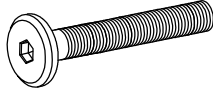
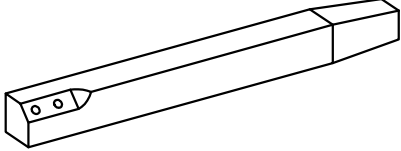

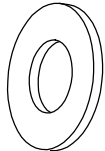

IMPORTANT NOTE :

- ① PLACE ALL PARTS ON A CLEAN AND SMOOTH SURFACE SUCH AS A RUG OR CARPET TO AVOID THE PARTS FROM BEING SCRATCHED.
- ② BEFORE YOU BEGIN,KINDLY FOLLOW THE ASSEMBLY INSTRUCTIONS STEP BY STEP.
- ③ DO NOT TIGHTEN ALL SCREWS AND BOLTS UNTIL THE BENCH IS FULLY SET-UP.



Part List

Hardware List

<p>Ⓐ</p> 	<p>①</p>  <p>Ø1/4" x 50 mm</p>
<p>BENCH CUSHION SEAT (1 pc)</p>	<p>BOLT (8 pcs)</p>
<p>Ⓑ</p> 	<p>②</p>  <p>Ø5/16" x 13 mm</p>
<p>BENCH LEG (4 pcs)</p>	<p>FLAT WASHER (8 pcs)</p>
	<p>③</p>  <p>Ø5/16" x 19 mm</p>
	<p>LOCK WASHER (8 pcs)</p>
	<p>④</p>  <p># 4 x 38 mm</p>
	<p>ALLEN KEY (1 pc)</p>

STEP 1:

