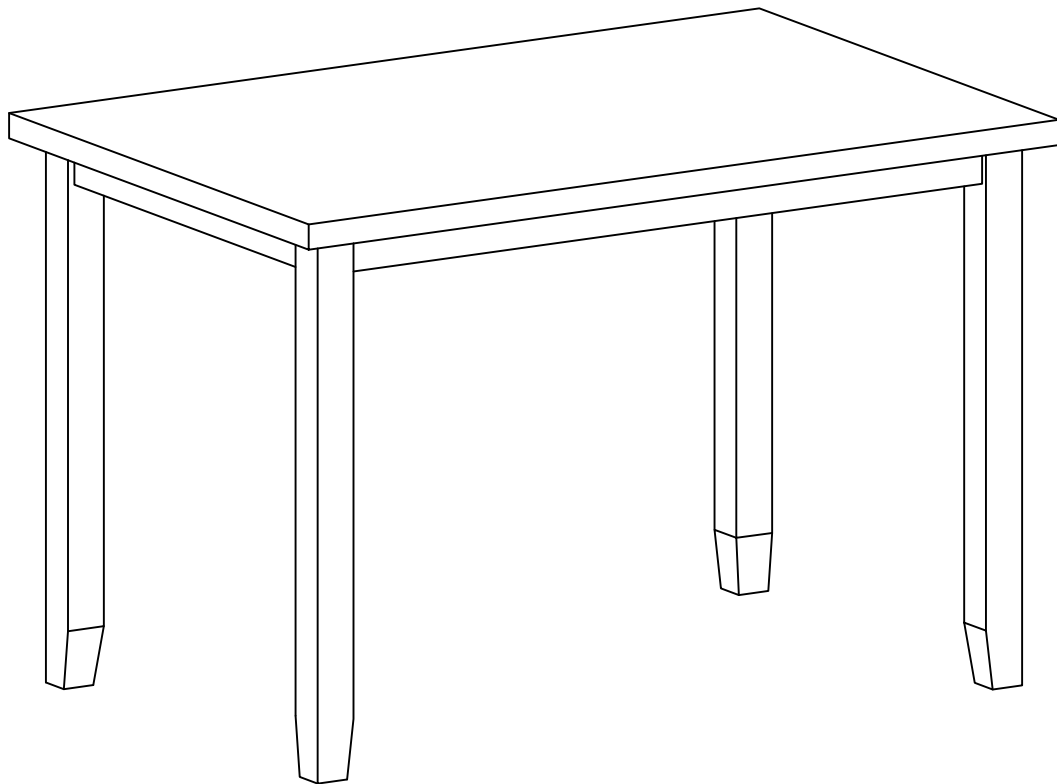


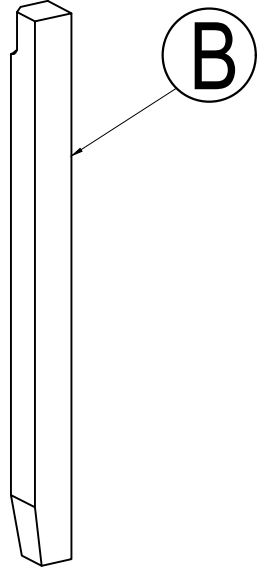
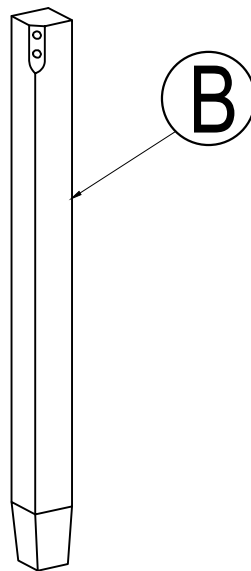
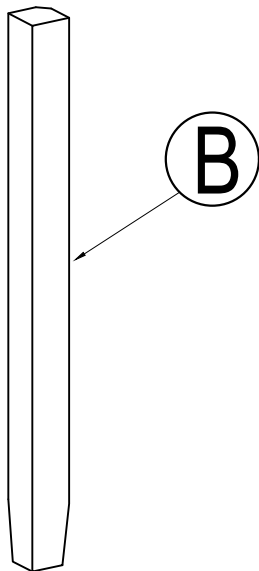
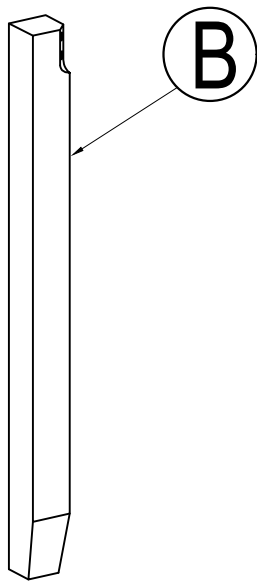
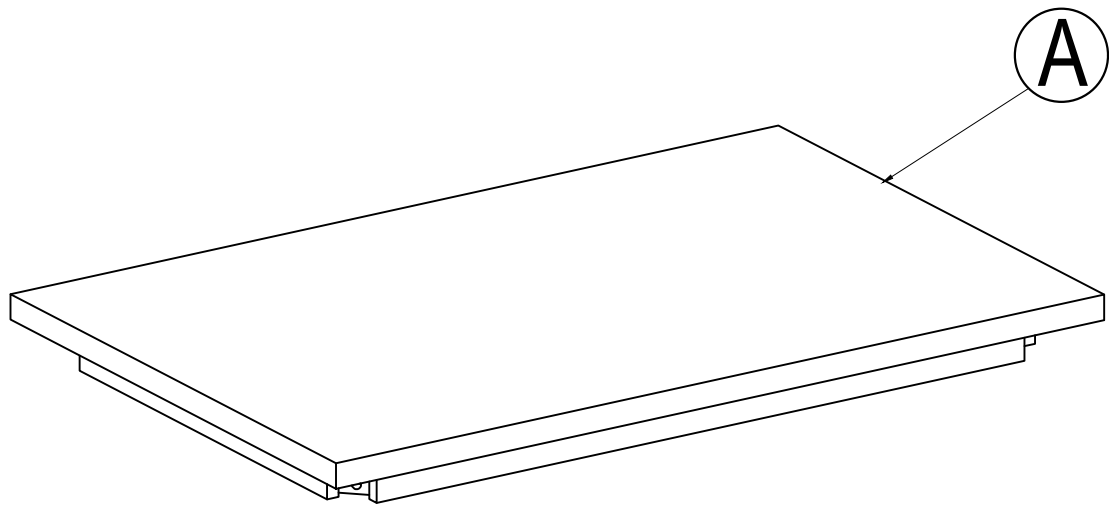
# ASSEMBLY INSTRUCTIONS

ITEM NO.WF288300



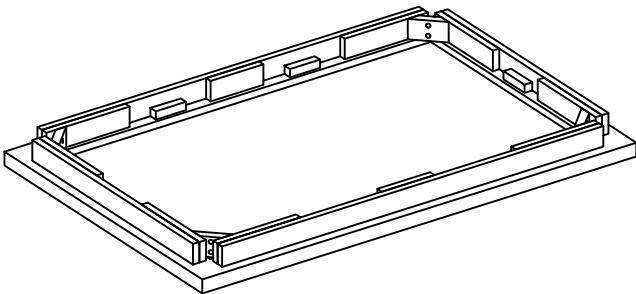
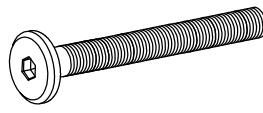
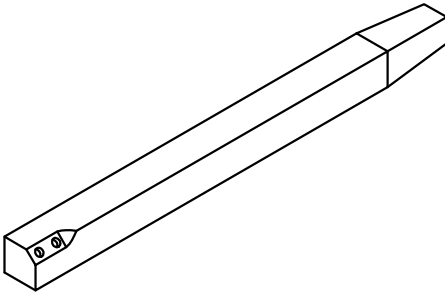

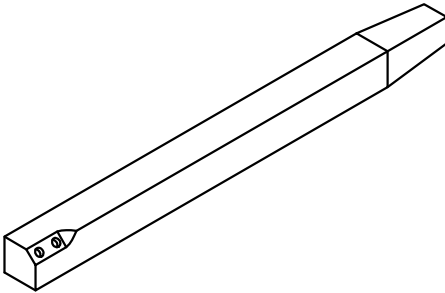
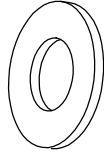
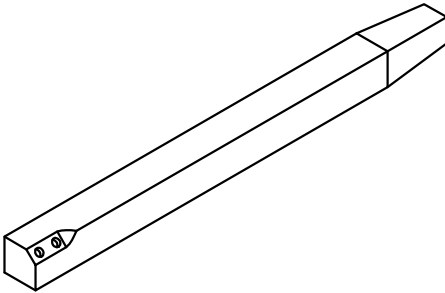
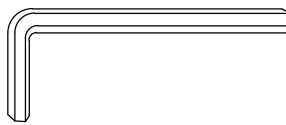
## IMPORTANT NOTE :

- ① PLACE ALL PARTS ON A CLEAN AND SMOOTH SURFACE SUCH AS A RUG OR CARPET TO AVOID THE PARTS FROM BEING SCRATCHED.
- ② BEFORE YOU BEGIN,KINDLY FOLLOW THE ASSEMBLY INSTRUCTIONS STEP BY STEP.
- ③ DO NOT TIGHTEN ALL SCREWS AND BOLTS UNTIL THE CHAIR IS FULLY SET-UP.

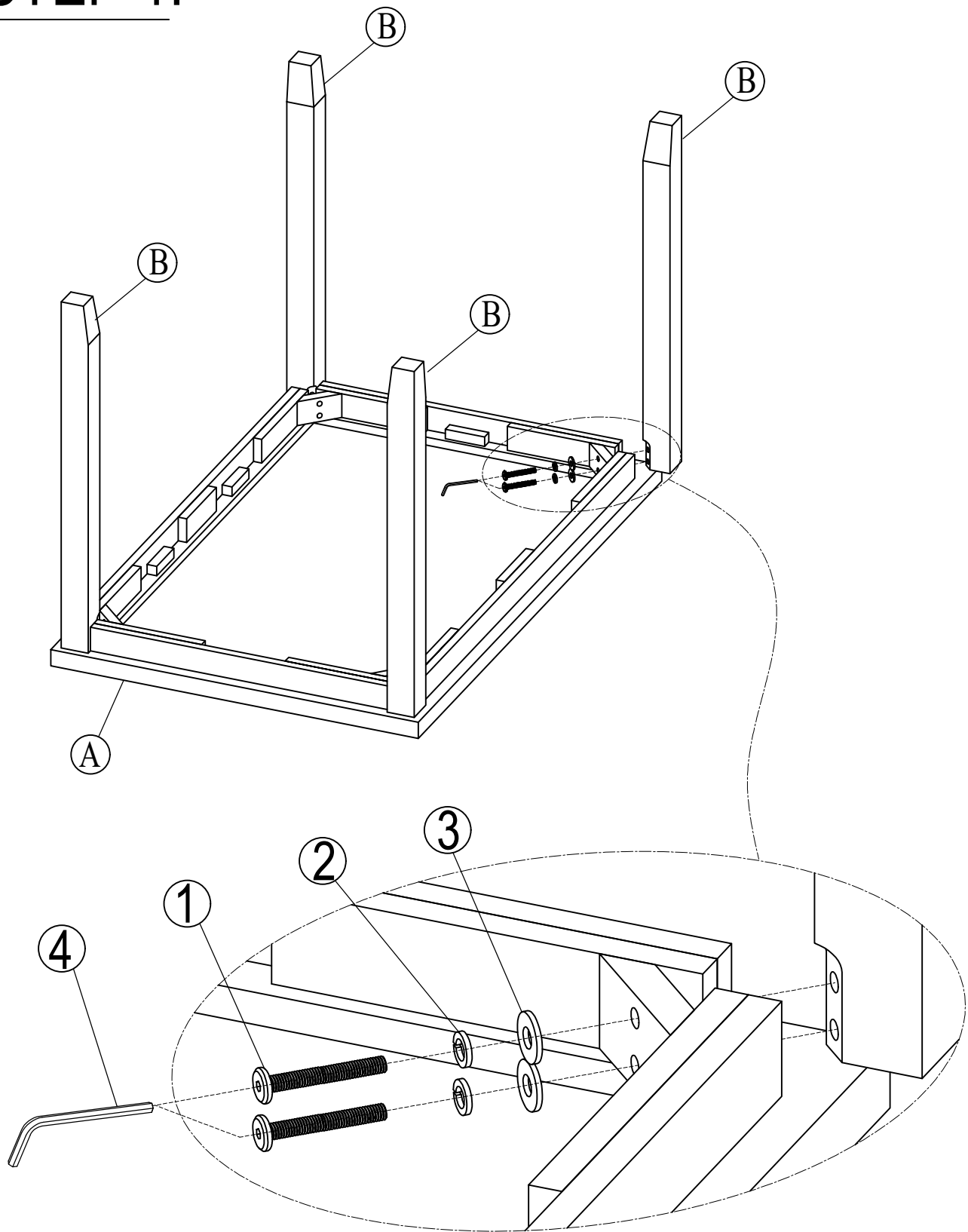


# Part List

# Hardware List

<p><b>A</b></p> 	<p><b>1</b></p>  <p>Ø 5/16" x 70mm</p>
<p>TABLE TOP (1PC)</p>	<p>BOLT (8pcs)</p>
<p><b>B</b></p> 	<p><b>2</b></p>  <p>Ø5/16" x 13mm</p>
<p>TABLE LEG (4PCS)</p>	<p>FLAT WASHER (8pcs)</p>
<p><b>B</b></p> 	<p><b>3</b></p>  <p>Ø5/16" x 19mm</p>
<p>TABLE LEG (4PCS)</p>	<p>LOCK WASHER (8pcs)</p>
<p><b>B</b></p> 	<p><b>4</b></p>  <p>4mm</p>
<p>TABLE LEG (4PCS)</p>	<p>ALLEN KEY (1pc)</p>

# STEP 1:



X4