

ASSEMBLY INSTRUCTIONS

ITEM #:WF300723

WF300724

Thank you for purchasing this quality product. Be sure to check all packing material carefully for small Hardware which may have come loose inside the carton during shipment. Identify and count all hardware and compare with the hardware list below

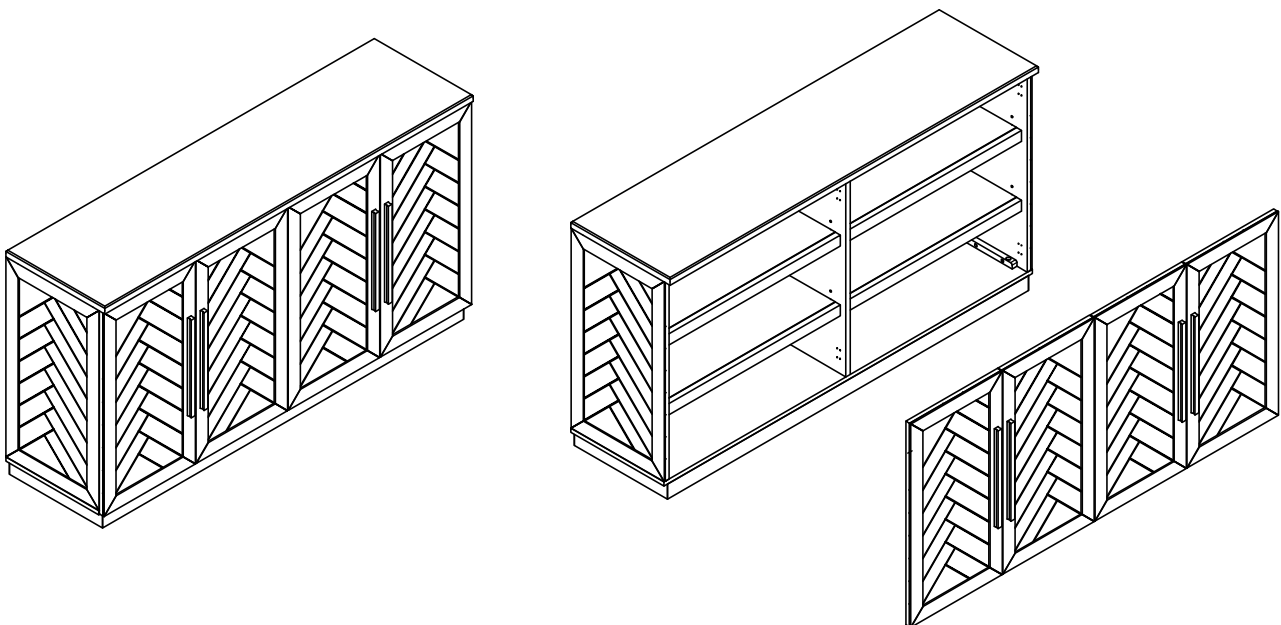
ASSEMBLY INSTRUCTION :

1. Remove hardware from box and sort by size.
2. Please check to see that all hardware and parts are present prior start of assembly.
3. Please follow attached instruction in the same sequence as numbered to assure fast and easy.



WARNING !

1. Don't attempt to repair or modify parts that are broken or defective. Please contact the store immediately.
2. This product is for home use only and not intended for commercial establishments.
3. Two persons are required for assembly.
4. Approximate assembly time: 1/2 hours
5. Component parts and fittings contained in the box.
Please sort out all parts before you begin to assemble the item.
This is to make sure you always use the correct part
6. It is **STRONGLY RECOMMENDED** that you **ANCHOR** this product.
Toppling furniture can cause serious injuries and death.
This product has not been fitted with an anchor strap.
To prevent your furniture from tipping forward it is strongly recommended that you securely attach this product to a wall or other solid surface, using the anchor straps provided and appropriate fixings.



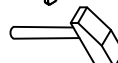
ED: Phillips Screwdriver



Wall Drill



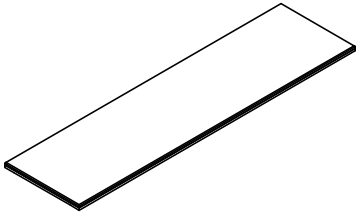
Hammer



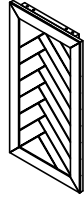
ASSEMBLY INSTRUCTIONS

PART LIST

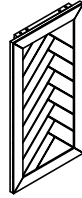
Box 1 :WF300723



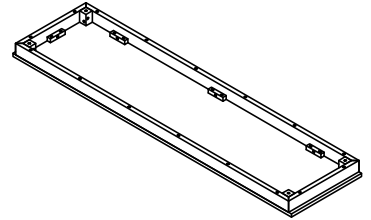
①
x1
Top panel



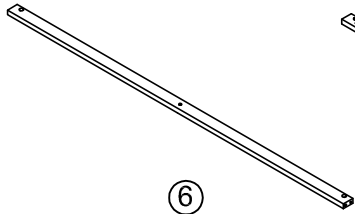
②
x1
Left side panel



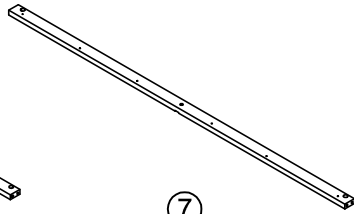
④
x1
Right side panel



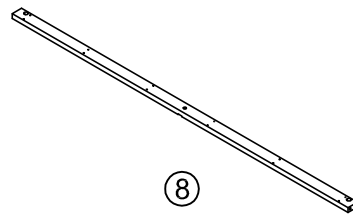
⑤
x1
bottom panel



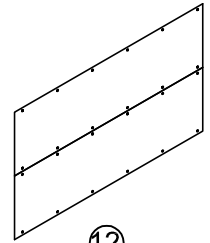
⑥
x1
front panel



⑦
x2
rear panel 1

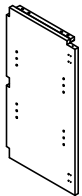


⑧
x1
rear panel 2

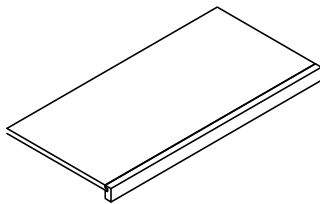


⑫
x1
Back panel

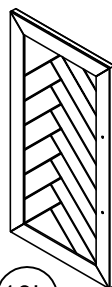
Box 2 : WF300724



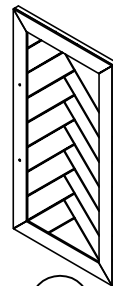
③
x1
Middle panel



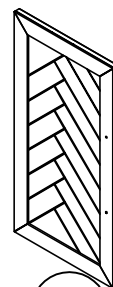
⑨
x4
Shelf panel



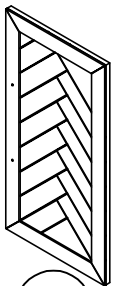
⑩L
x1
Left door panel



⑩R
x1
Right door panel



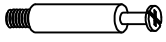
⑩L1
x1
Right door panel



⑩R1
x1
Right door panel

ASSEMBLY INSTRUCTIONS

HARDWARE LIST WF300723



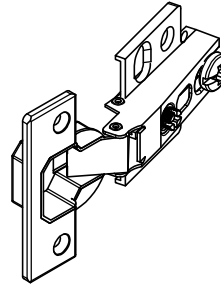
(A)

x8
Cam-bolts



(B)

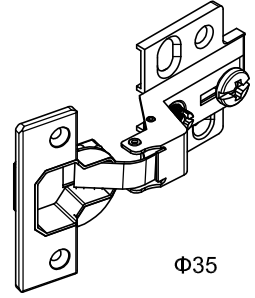
x8
Cam-locks



Φ35

(C)

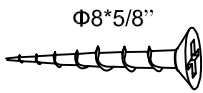
x4
Straight Hinges



Φ35

(D)

x4
Curved Hinges



Φ8*5/8"

(E)

x48
Screws

5/32"* 1-1/8"



(F)

x8
handle bolts

13"*3/4"



(G)

x4
Handles

Φ8*3/4"



(H)

x12
Dowels

Φ8* 1-1/8"



(I)

x8
Dowels

1/4| Φ12* 1|



(J)

x12
Bolts

Φ13* 1mm



(K)

x12
Flat Washer

Φ10* 1mm



(L)

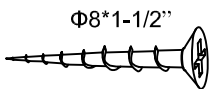
x12
Spring Washer

4mm



(M)

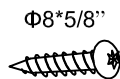
x1
Allen Key



Φ8*1-1/2"

(N)

x4
Screws



Φ8*5/8"

(O)

x24
Screws

1/4*20



(P)

x4

increase and decrease below



(R)

x16
Shelf supports

Anti-recline hardware



x2

Long screw



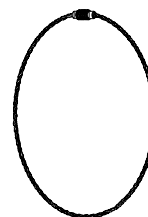
x2

Short screw



x4

Metal bracket



x2

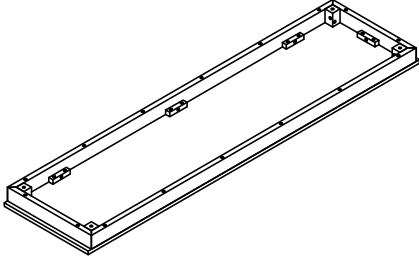
Steel cable

ASSEMBLY INSTRUCTIONS

ITEM #:WF300723

WF300724

STEP 1



5

x1

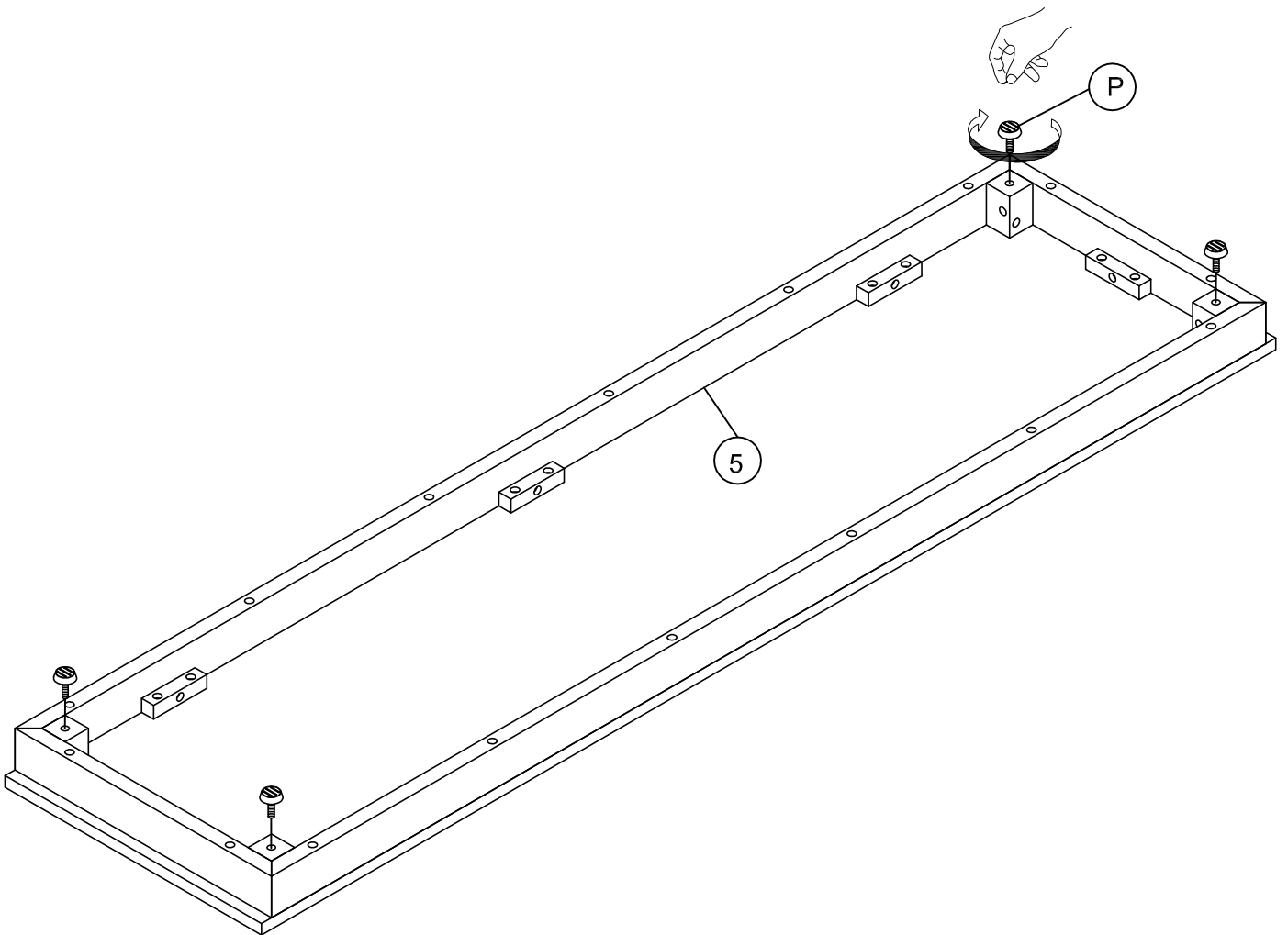
bottom panel



P

x4

increase and
decrease below

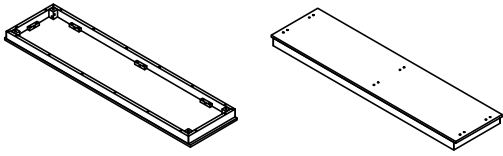


ASSEMBLY INSTRUCTIONS

ITEM #:WF300723

WF300724

STEP 2



2

x1

Left side panel



3

x1

Middle panel



A

x4

Cam-bolts



H

x4
Dowels



J

x4

Bolts



K

x4

Flat Washer



L

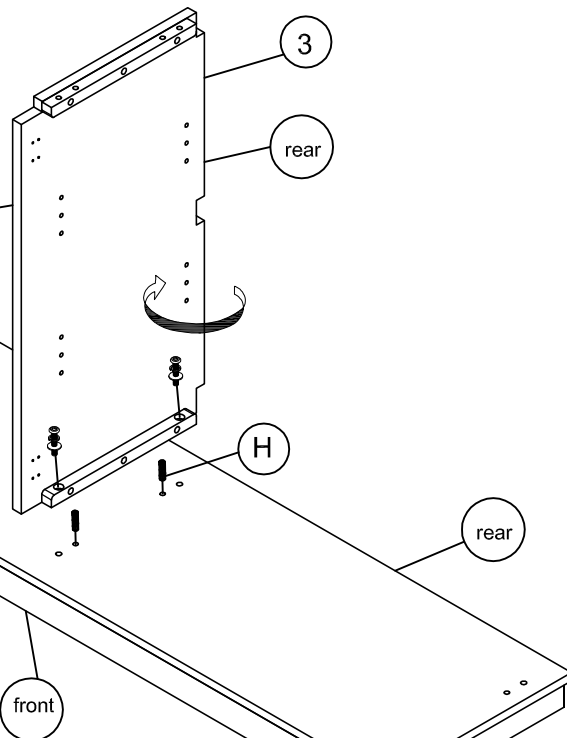
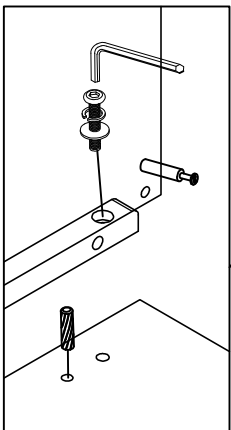
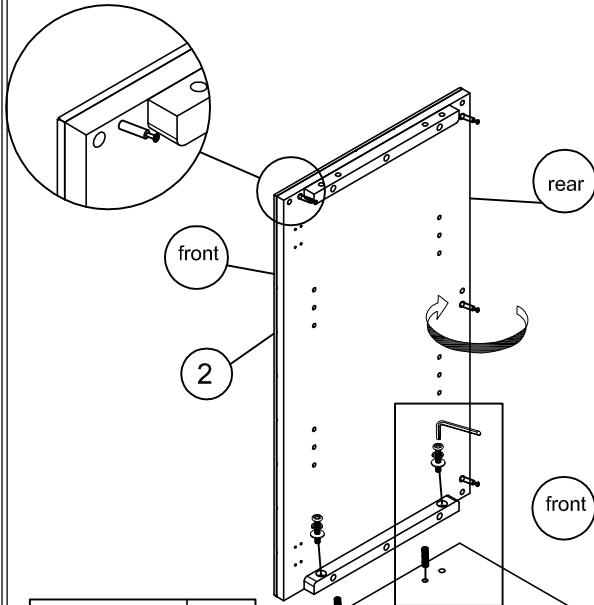
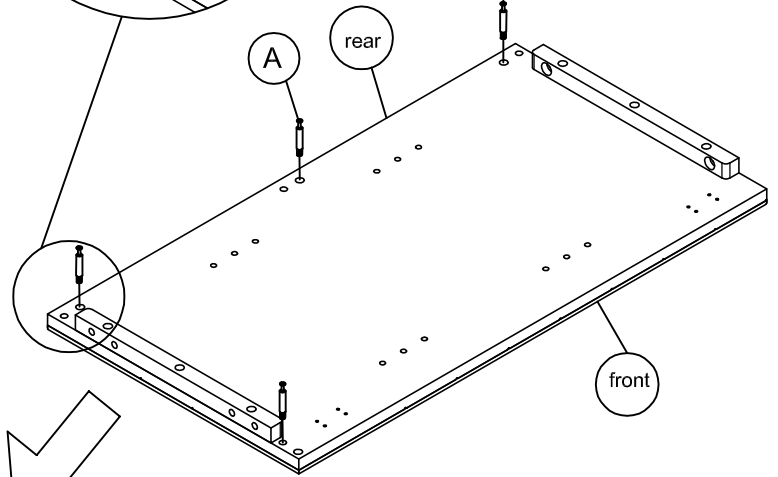
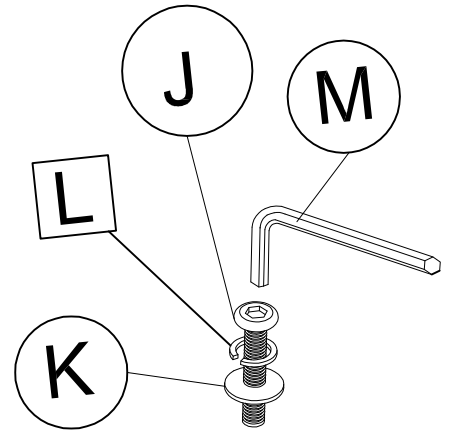
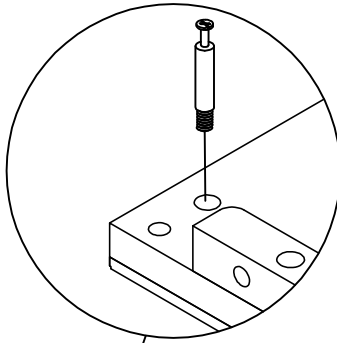
x4

Spring Washer



M

x1
Allen Key

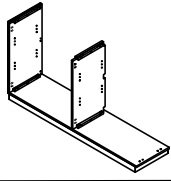


ASSEMBLY INSTRUCTIONS

ITEM #:WF300723

WF300724

STEP 3



6

x1
front panel

7

x2
rear panel 1

8

x1
rear panel 2



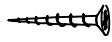
B

x4
Cam-locks



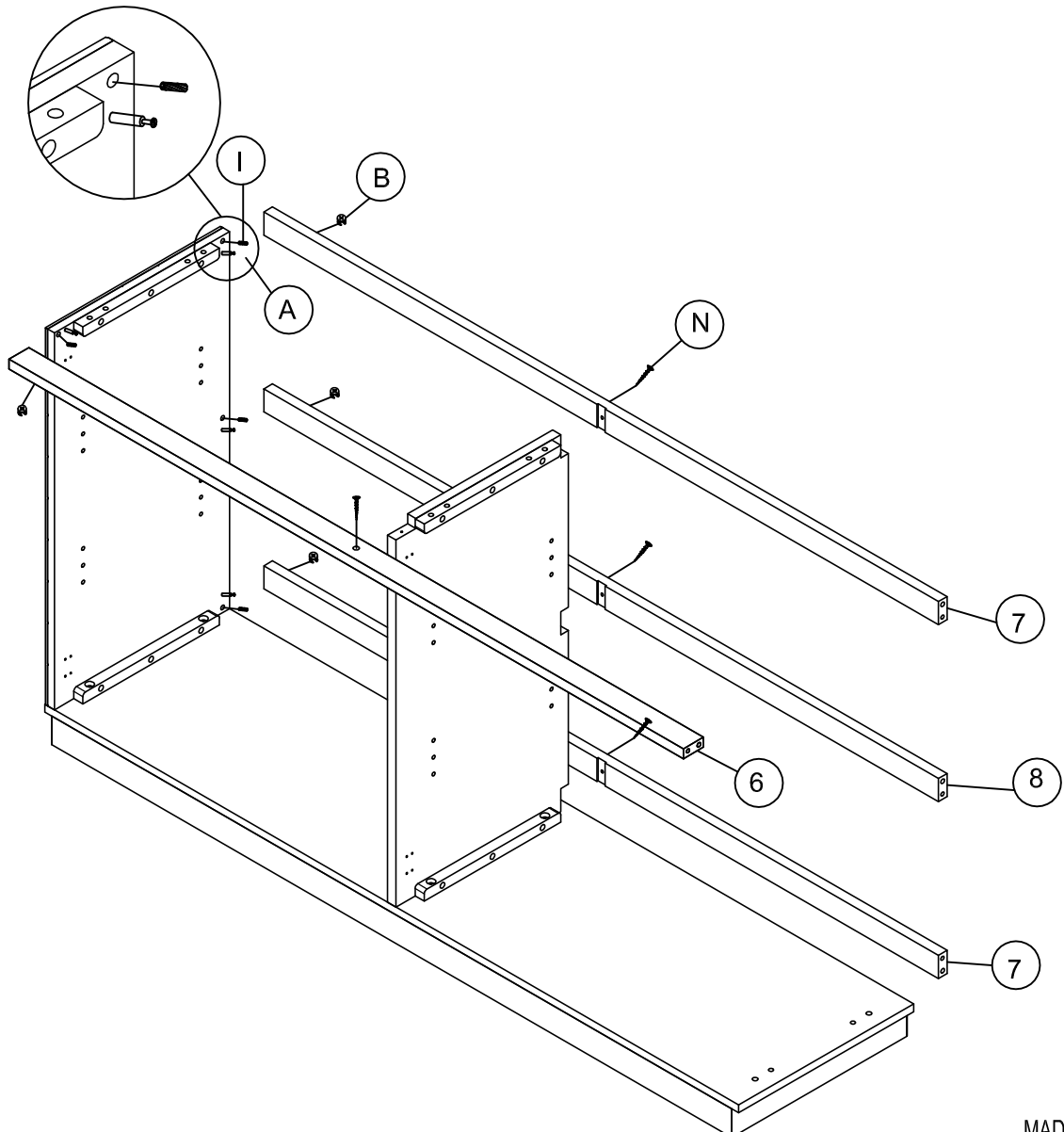
I

x4
Dowels



N

x4
Screws

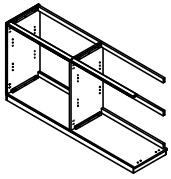


ASSEMBLY INSTRUCTIONS

ITEM #:WF300723

WF300724

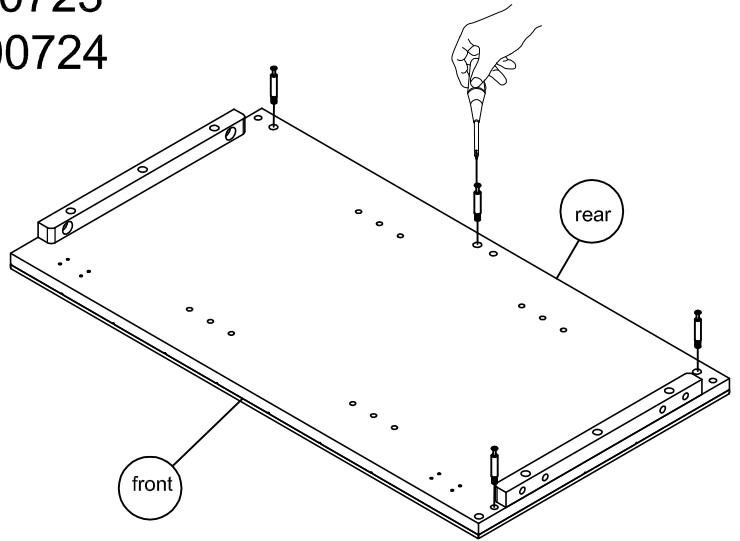
STEP 4



4

x1

Right side panel



A

x4

Cam-bolts



B

x4

Cam-locks



H

x2

Dowels



I

x4

Dowels



J

x2

Bolts



K

x2

Flat Washer



L

x2

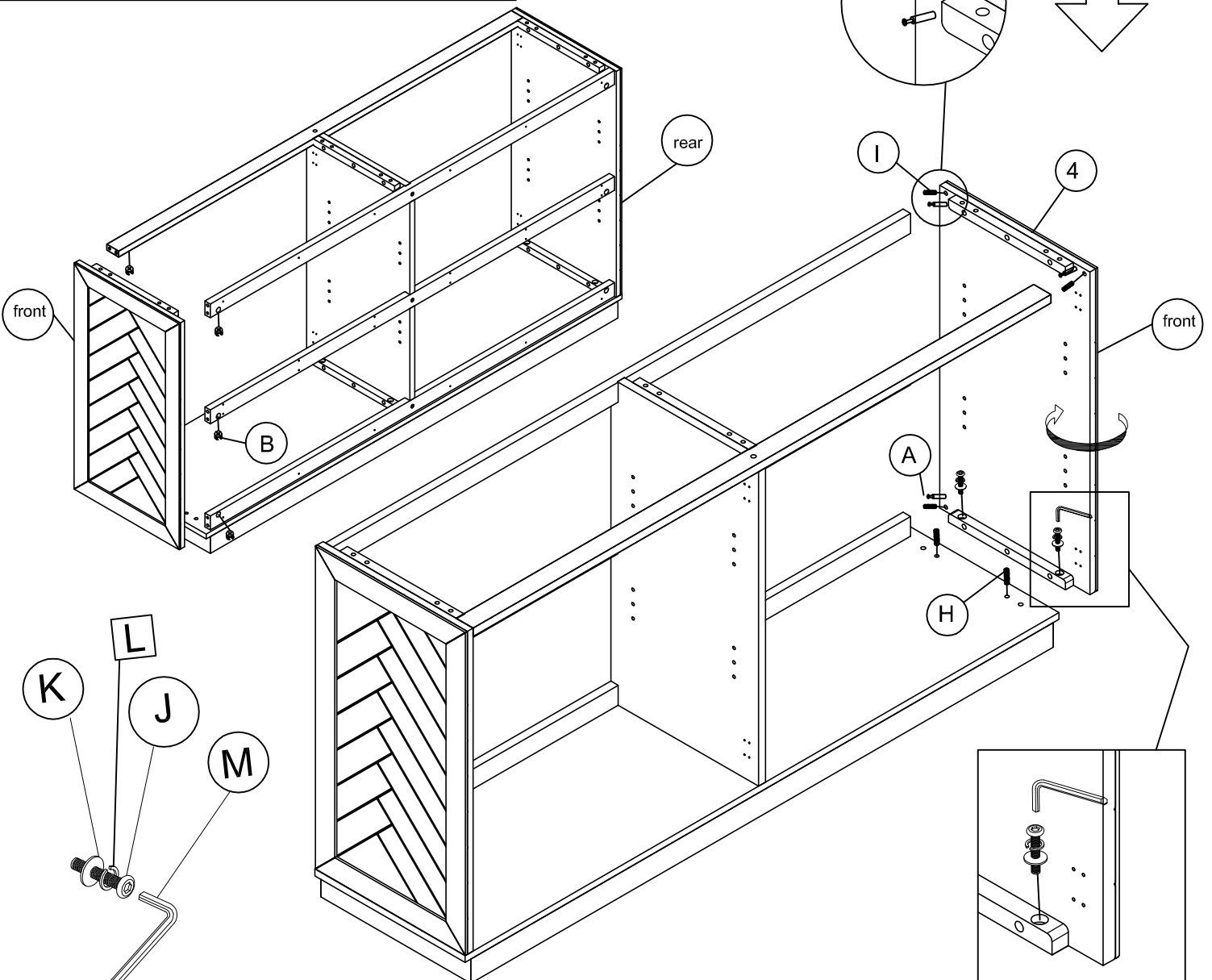
Spring Washer



M

x1

Allen Key

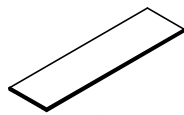
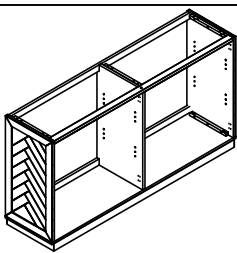
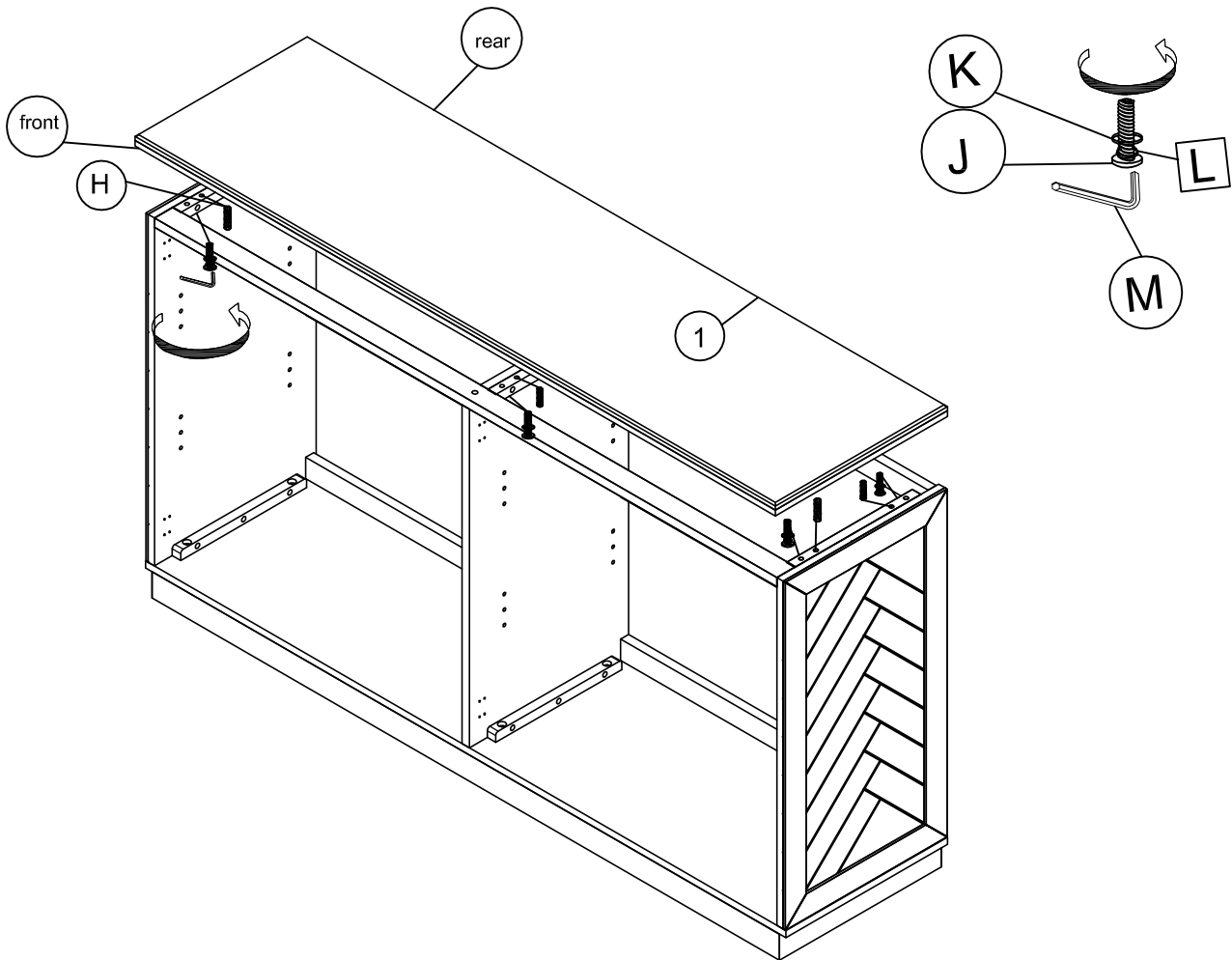


ASSEMBLY INSTRUCTIONS

ITEM #:WF300723

WF300724

STEP 5



1

x1

Top panel



H

x6

Dowels



J

x6

Bolts



K

x6

Flat Washer



L

x6

Spring Washer



M

x1

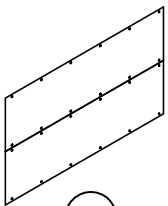
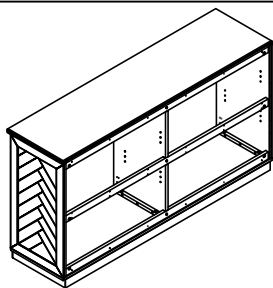
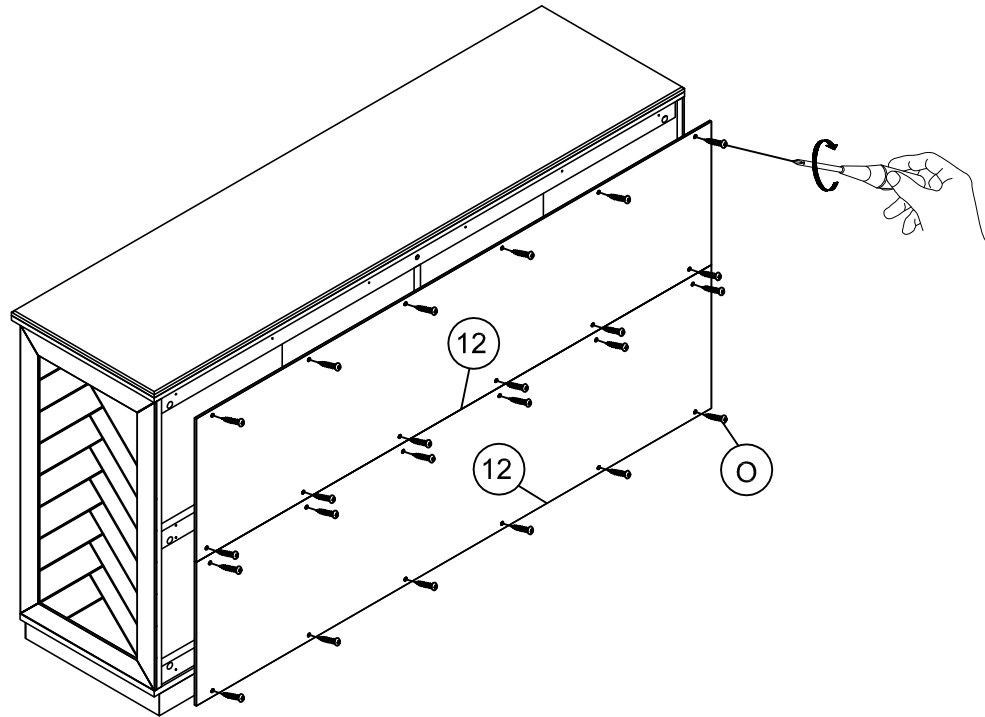
Allen Key

ASSEMBLY INSTRUCTIONS

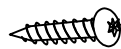
ITEM #:WF300723

WF300724

STEP 6



x1
Back panel



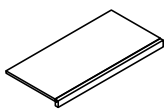
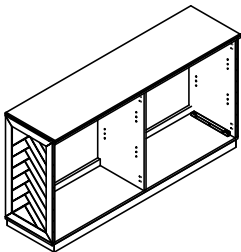
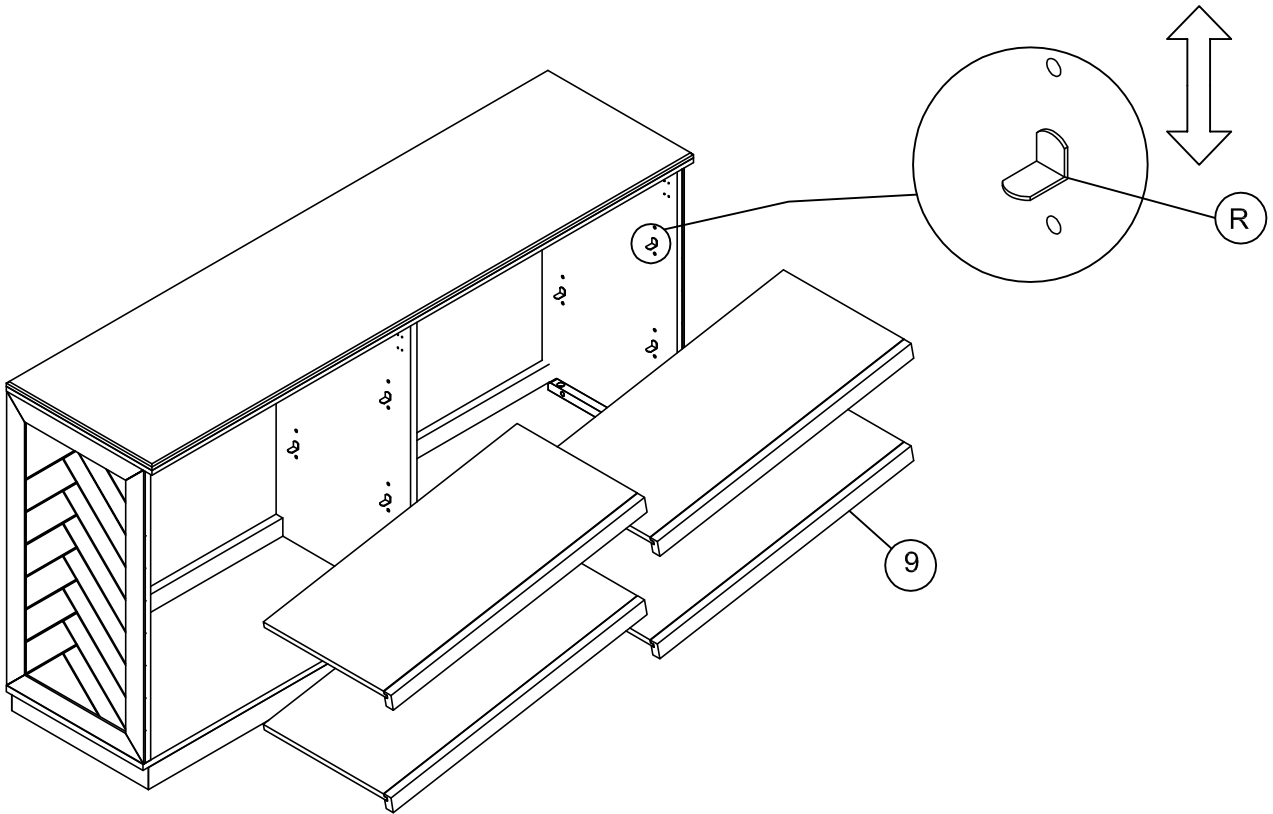
x24
Screws

ASSEMBLY INSTRUCTIONS

ITEM #:WF300723

WF300724

STEP 7



x4
Shelf panel



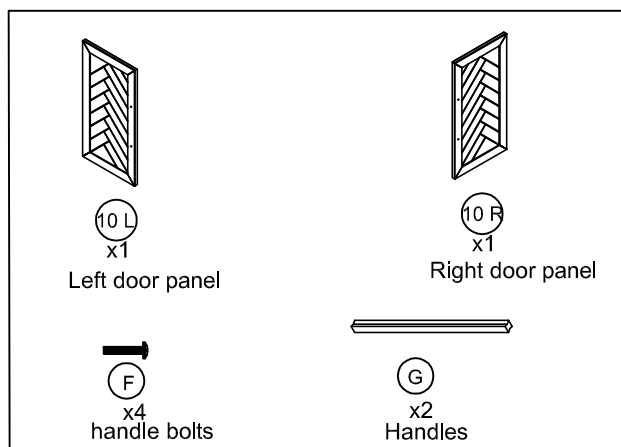
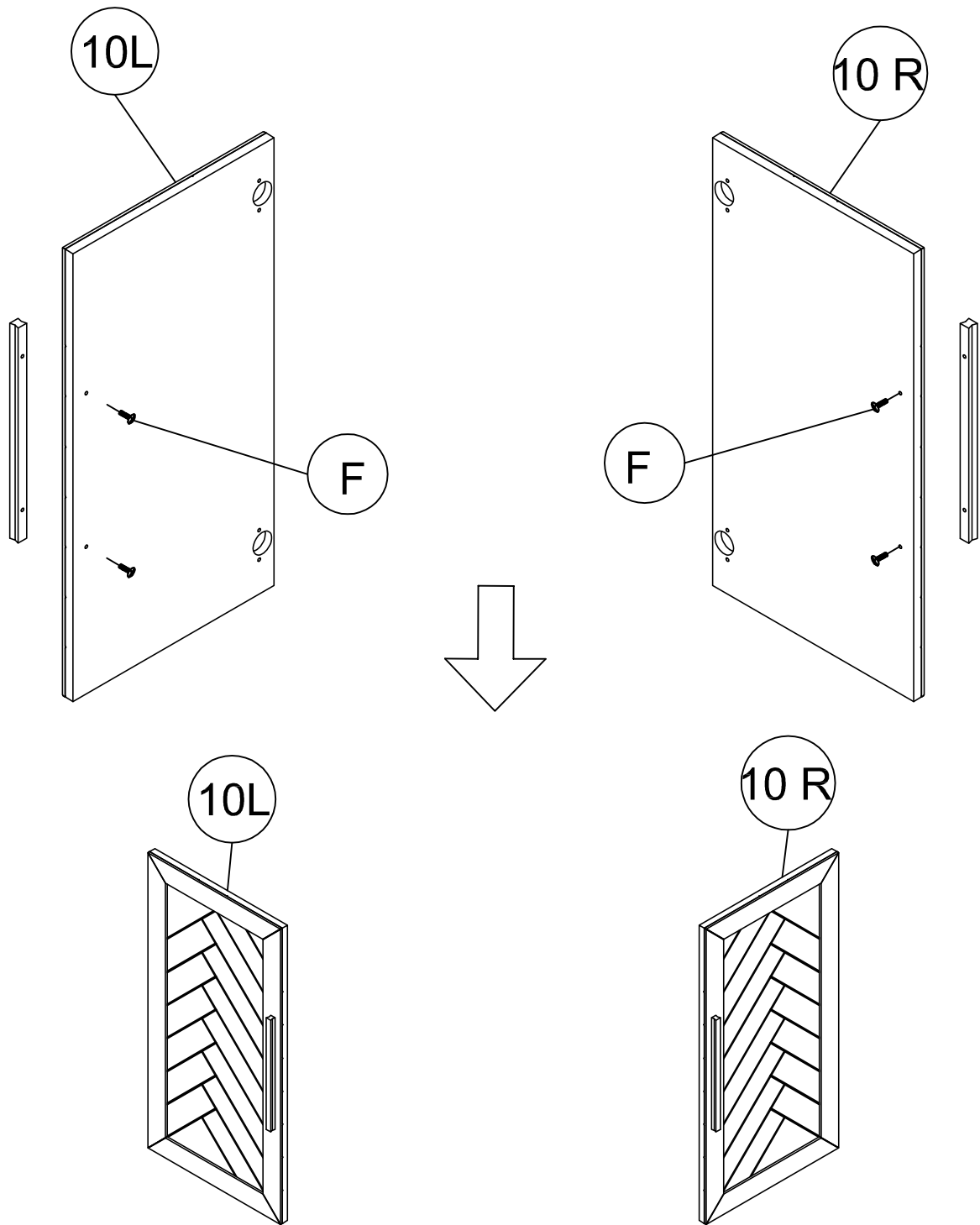
x16
Shelf supports

ASSEMBLY INSTRUCTIONS

ITEM #:WF300723

WF300724

STEP 8

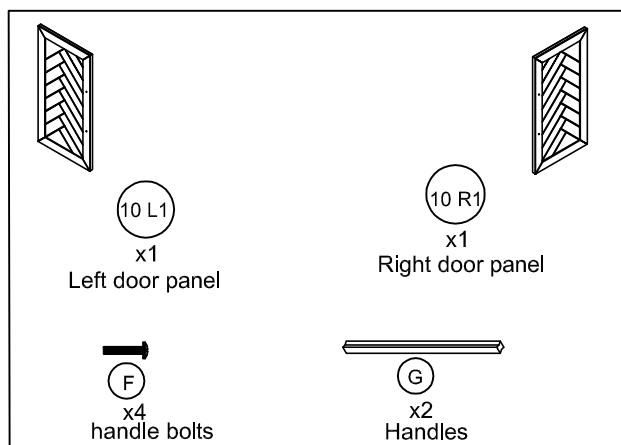
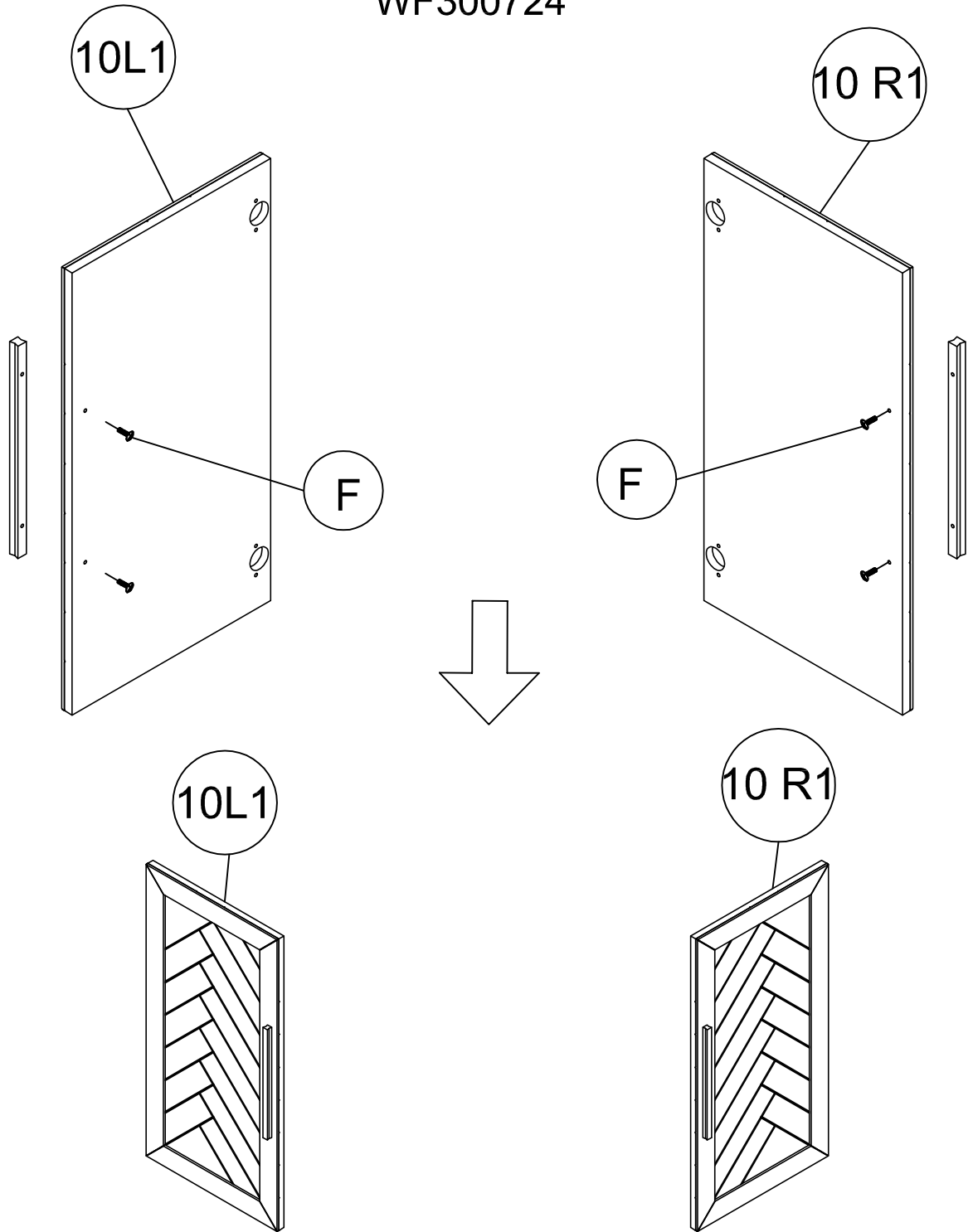


ASSEMBLY INSTRUCTIONS

ITEM #:WF300723

WF300724

STEP 8

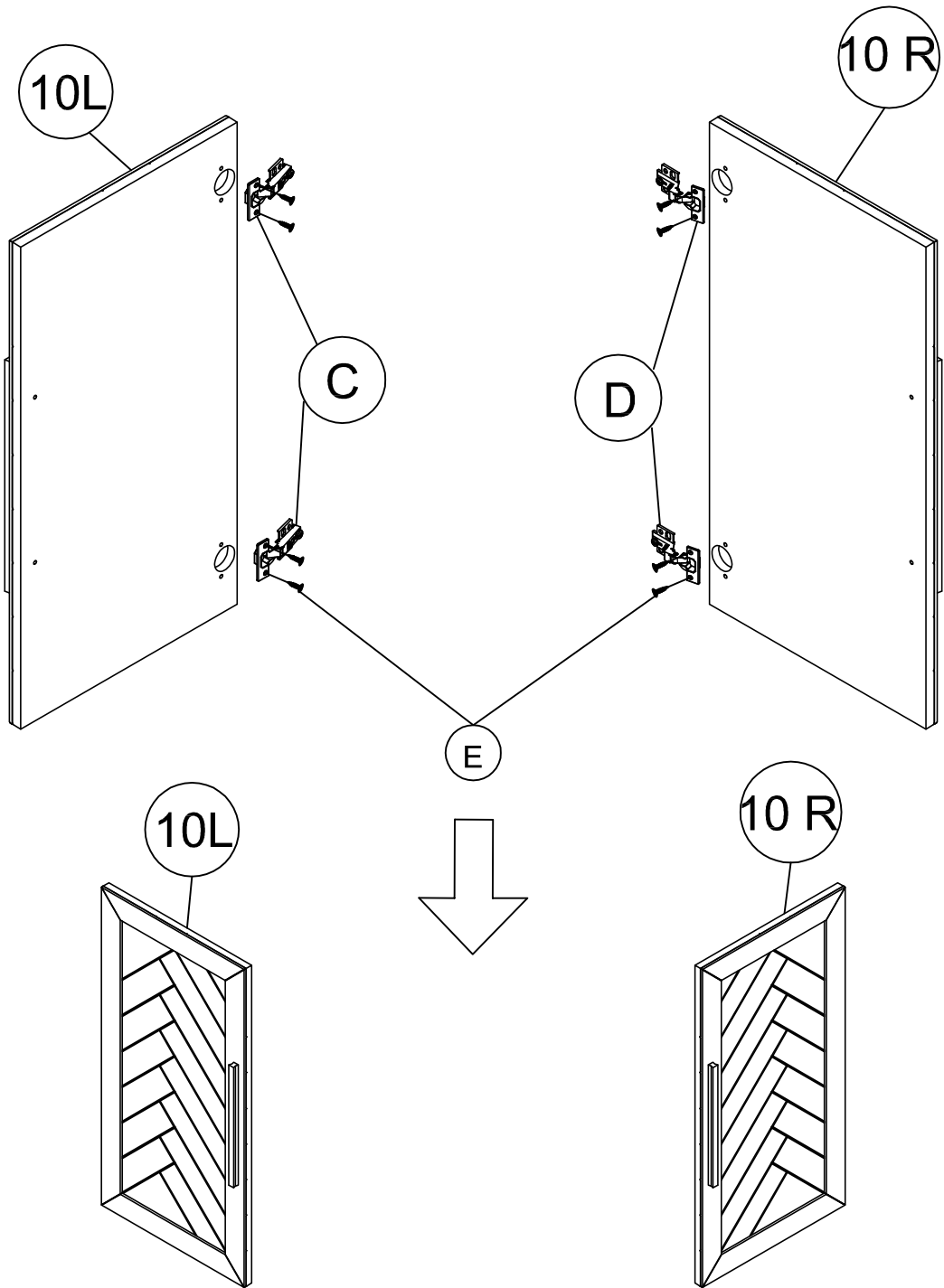


ASSEMBLY INSTRUCTIONS

ITEM #:WF300723

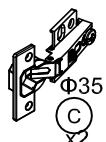
WF300724

STEP 8

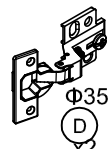


10 L
x1
Left door panel

10 R
x1
Right door panel



Straight Hinges



Curved Hinges



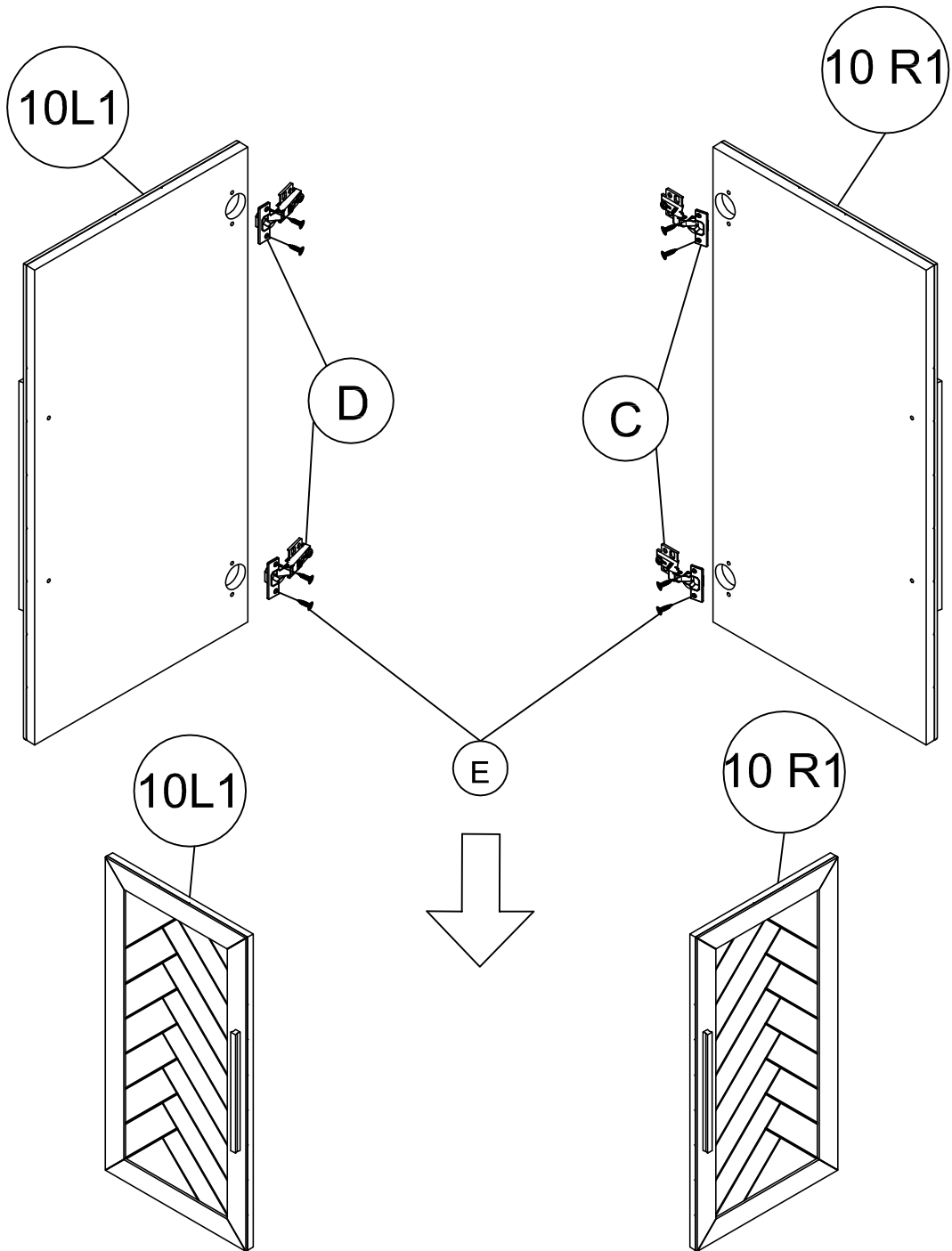
E
x8
Screws

ASSEMBLY INSTRUCTIONS

ITEM #:WF300723

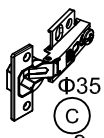
WF300724

STEP 8

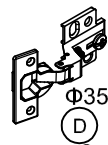


x1
Left door panel

x1
Right door panel



x2
Straight Hinges



x2
Curved Hinges



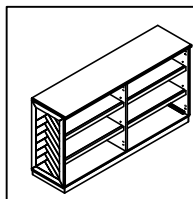
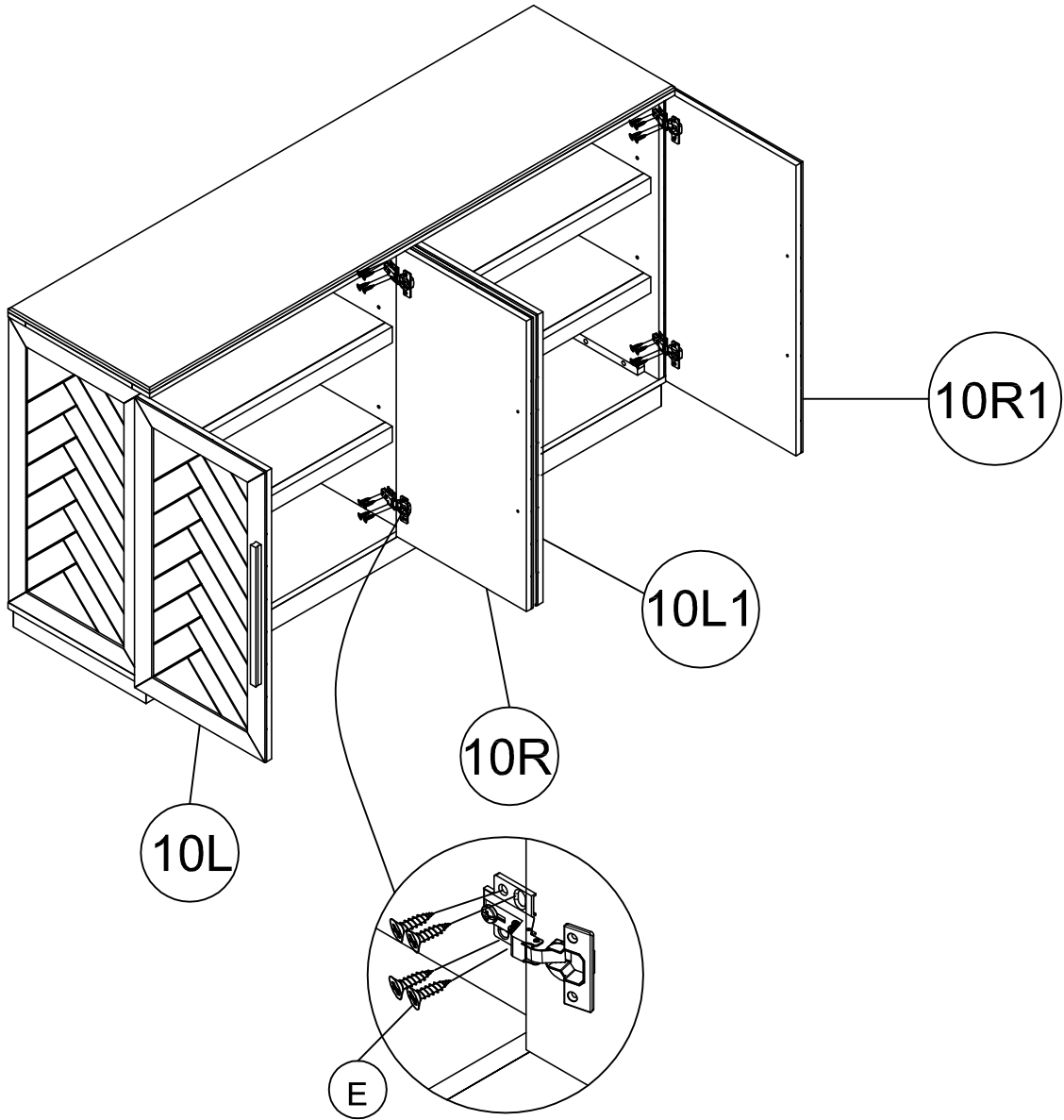
x8
Screws





ASSEMBLY INSTRUCTIONS

ITEM #:WF300723

WF300724

STEP 8



- | | | | |
|---|---|---|---|
|  |  |  |  |
| (10 L)
x1
Left door panel | (10 R)
x1
Right door panel | (10 L1)
x1
Left door panel | (10 R1)
x1
Right door panel |



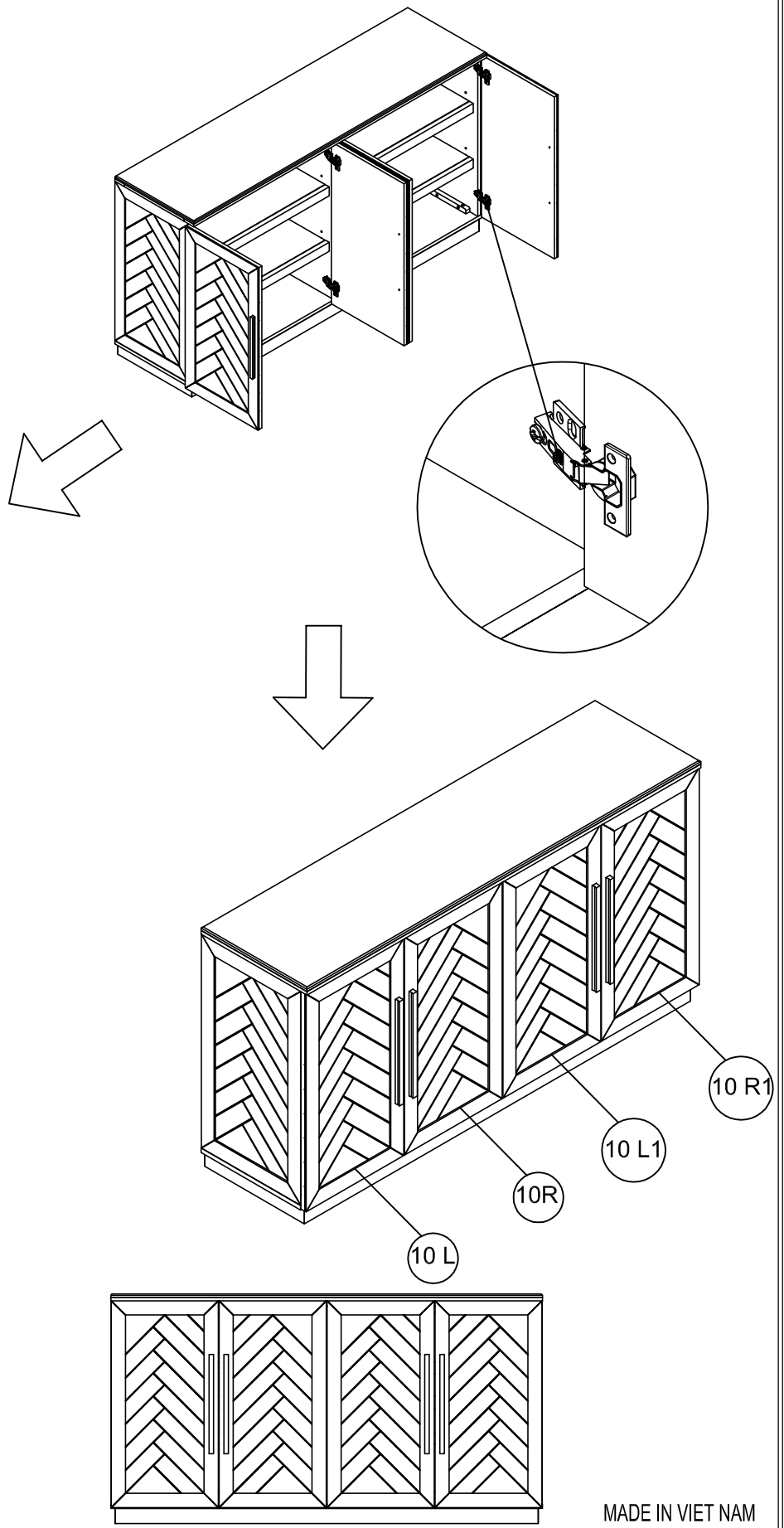
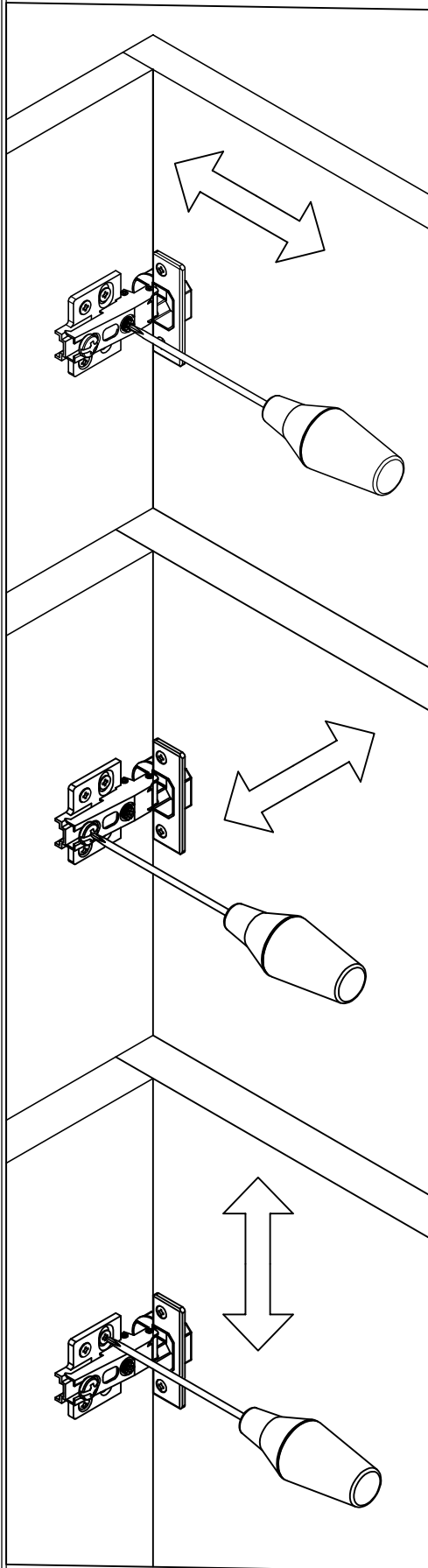
(E)
x32
Screws

ASSEMBLY INSTRUCTIONS

ITEM #:WF300723

WF300724

STEP 9

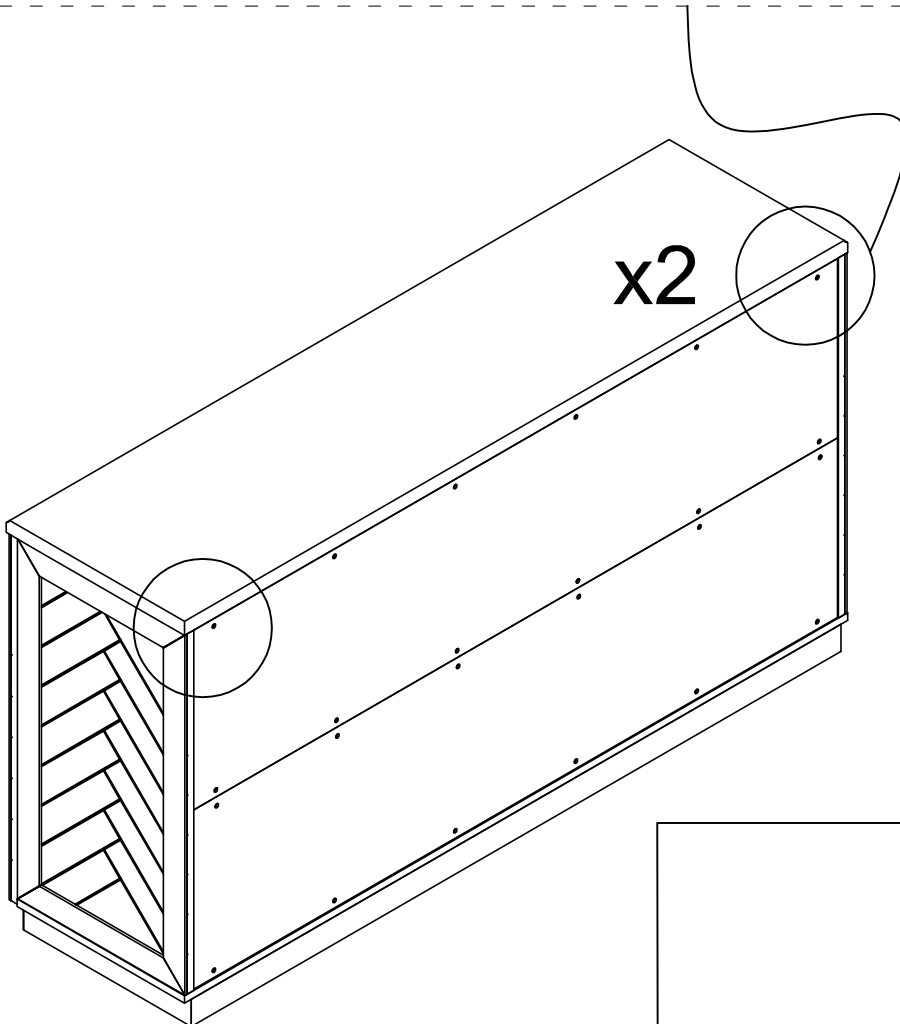
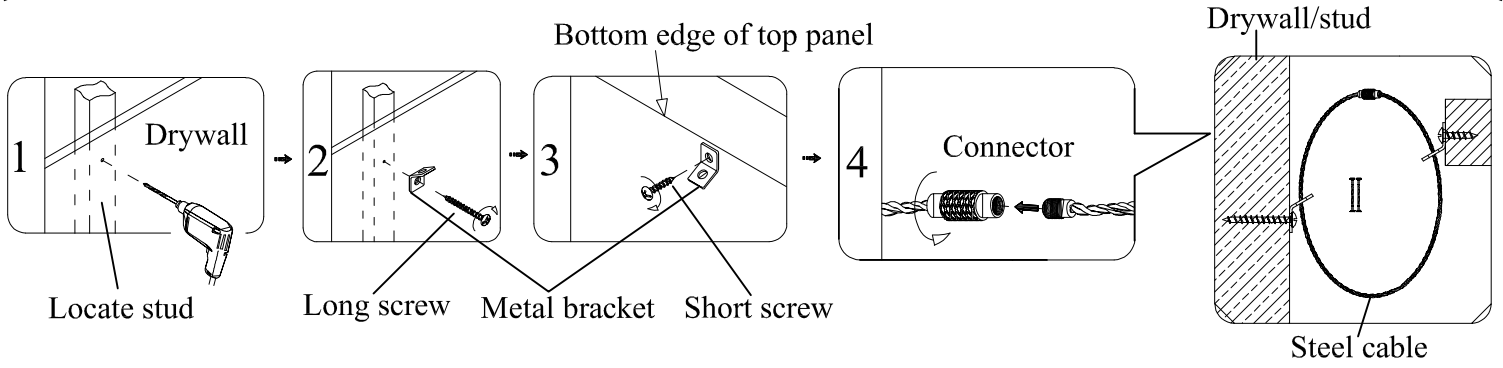


ASSEMBLY INSTRUCTIONS

ITEM #:WF300723

WF300724

STEP 10



Anti-recline hardware

