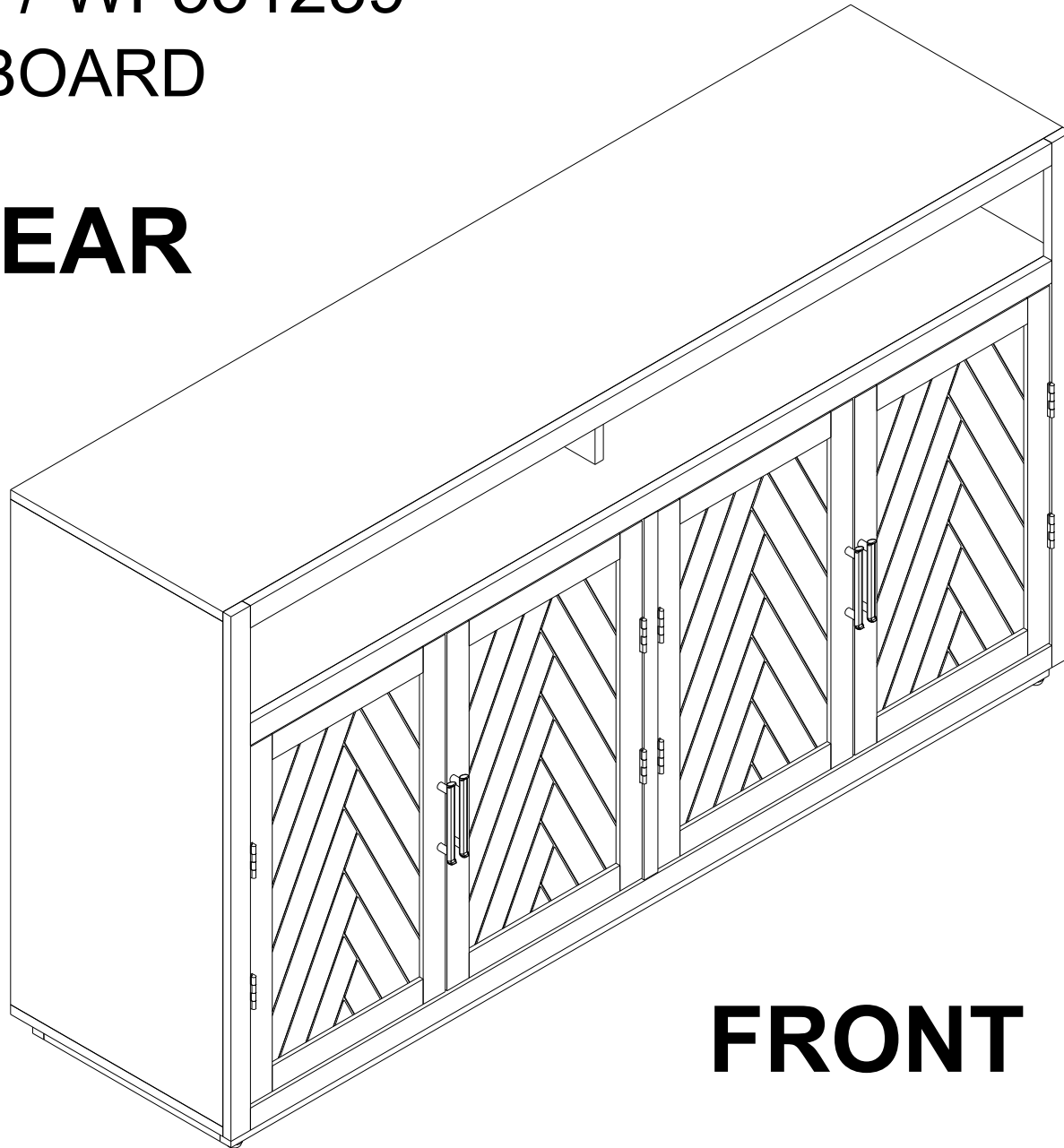


ASSEMBLY INSTRUCTION

WF531238 / WF531239

ITEM: SIDEBOARD

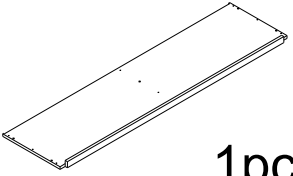
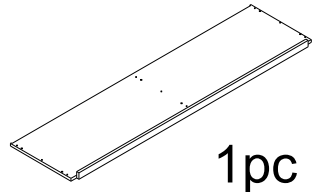
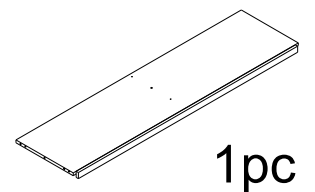
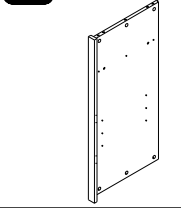
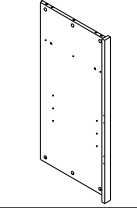
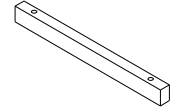
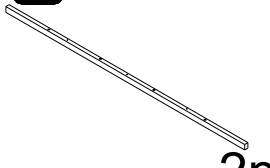
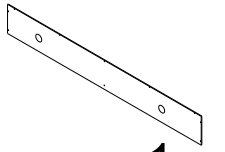
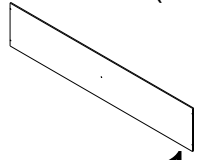
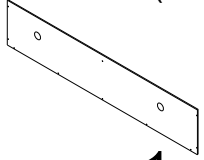
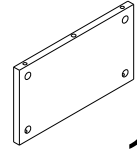
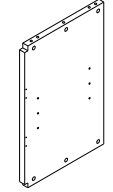
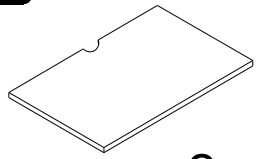
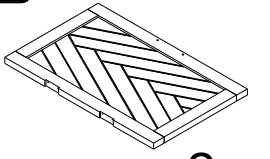
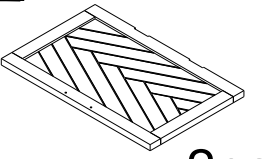
REAR



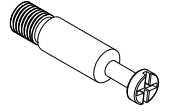



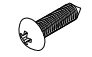
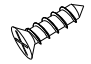
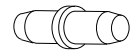
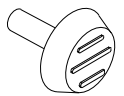
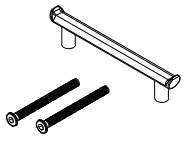
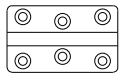
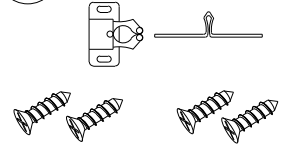

FRONT



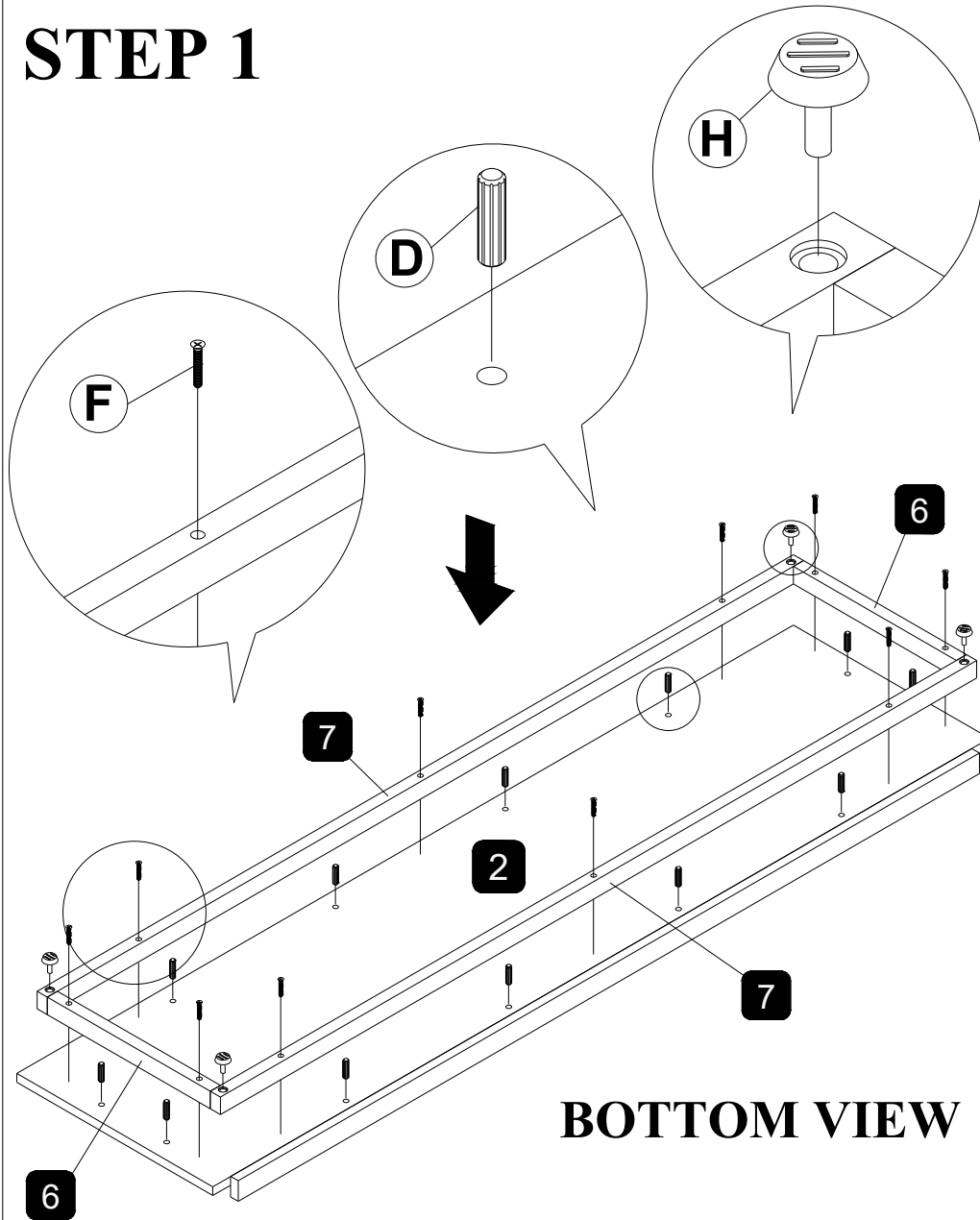
PART LIST

1 Top Panel  1pc	2 Bottom Panel  1pc	3 Center Panel  1pc	4 Side Panel(L)  1pc	5 Side Panel(R)  1pc	6 Bottom Side Rail  2pcs
7 Bottom Front&Rear Rail  2pcs	8 Back Panel(upper)  1pc	9 Back Panel(center)  1pc	10 Back Panel(lower)  1pc	11 Division(upper)  1pc	12 Division(lower)  1pc
13 Shelf Panel  2pcs	14 Door (L)  2pcs	15 Door (R)  2pcs			

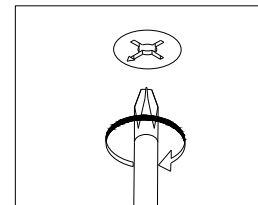
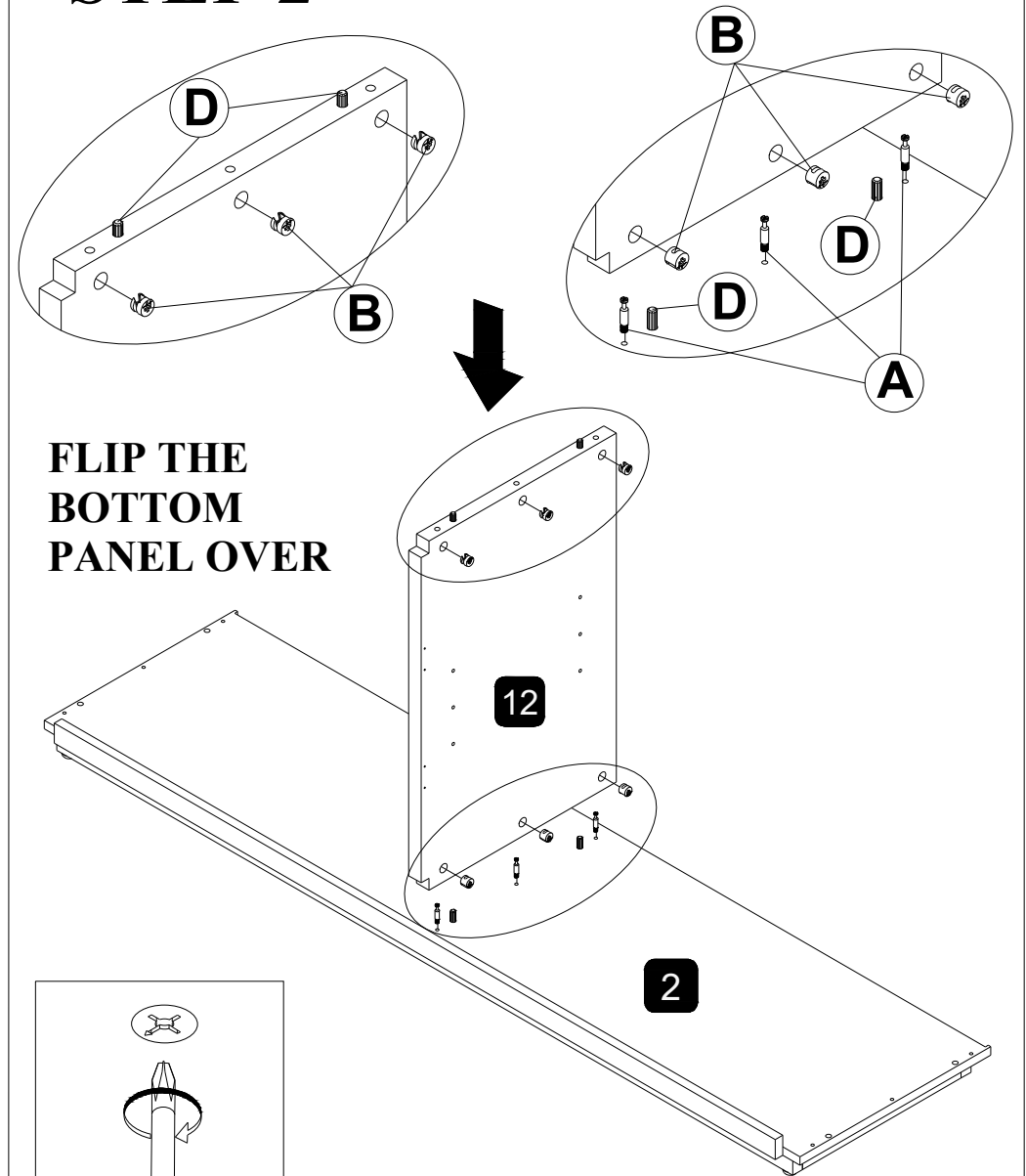
HARDWARE LIST


A MINI FIX SPREADING BOLT 24MM  28pcs	B MINIFIX HOUSING Ø15*12MM  6pcs	C MINIFIX HOUSING Ø15*10MM  22pcs	D WOOD DOWEL M8*30MM  30pcs	E PAN HEAD M3.5*16MM  25pcs	F CSK SCREW M4*30MM  10pcs
G SHELF SUPPORT  8pcs	H ADJUSTABLE  4pcs	I HANDLE  4sets	J HINGES  8pcs	K DOUBLE ROLLER CATCH  4sets	L CSK SCREW M3.5*16MM  32pcs

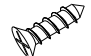
STEP 1



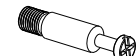
STEP 2





D X 12pcs

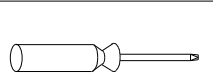

F X 10pcs


H X 4pcs

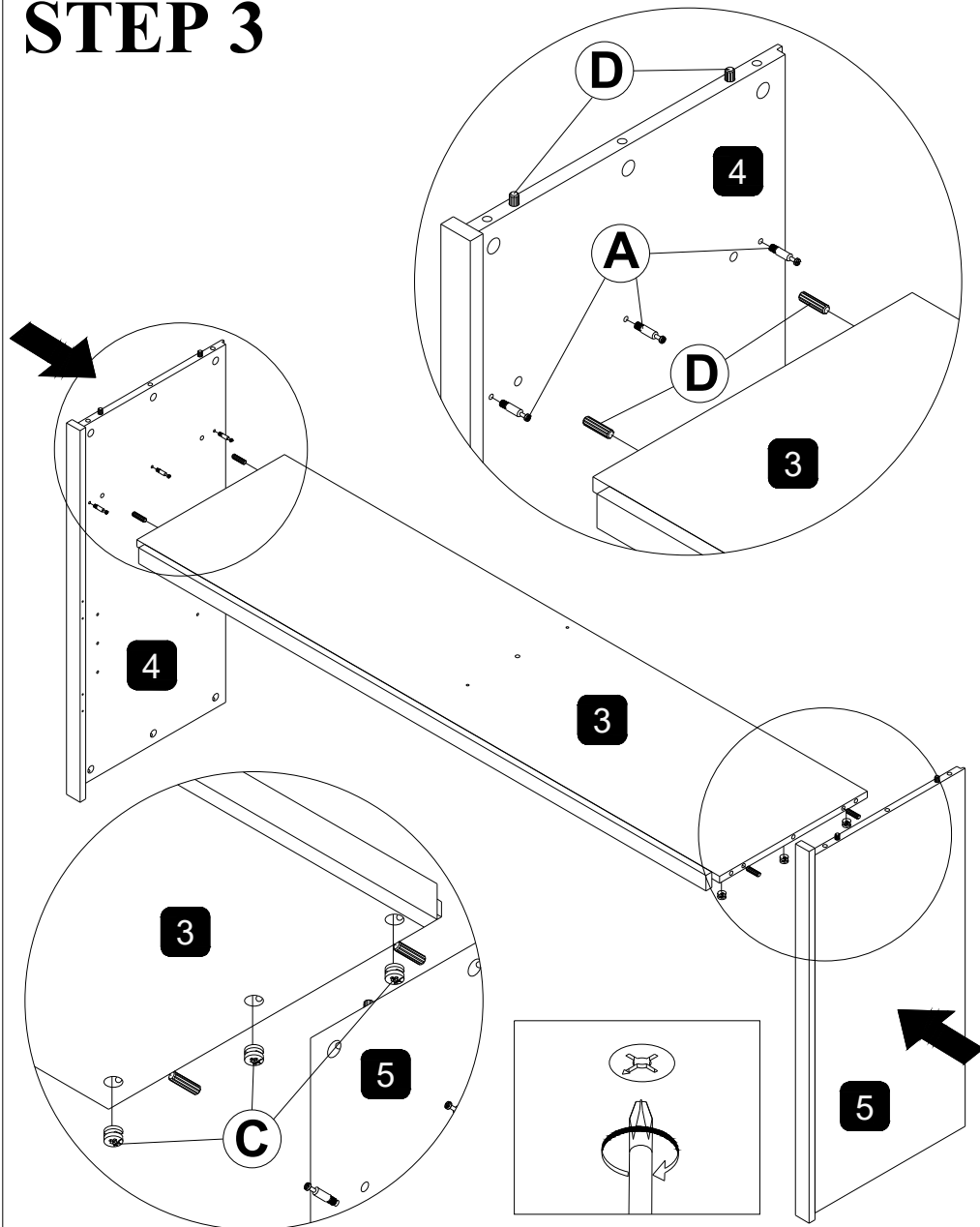

A X 3pcs


B X 6pcs

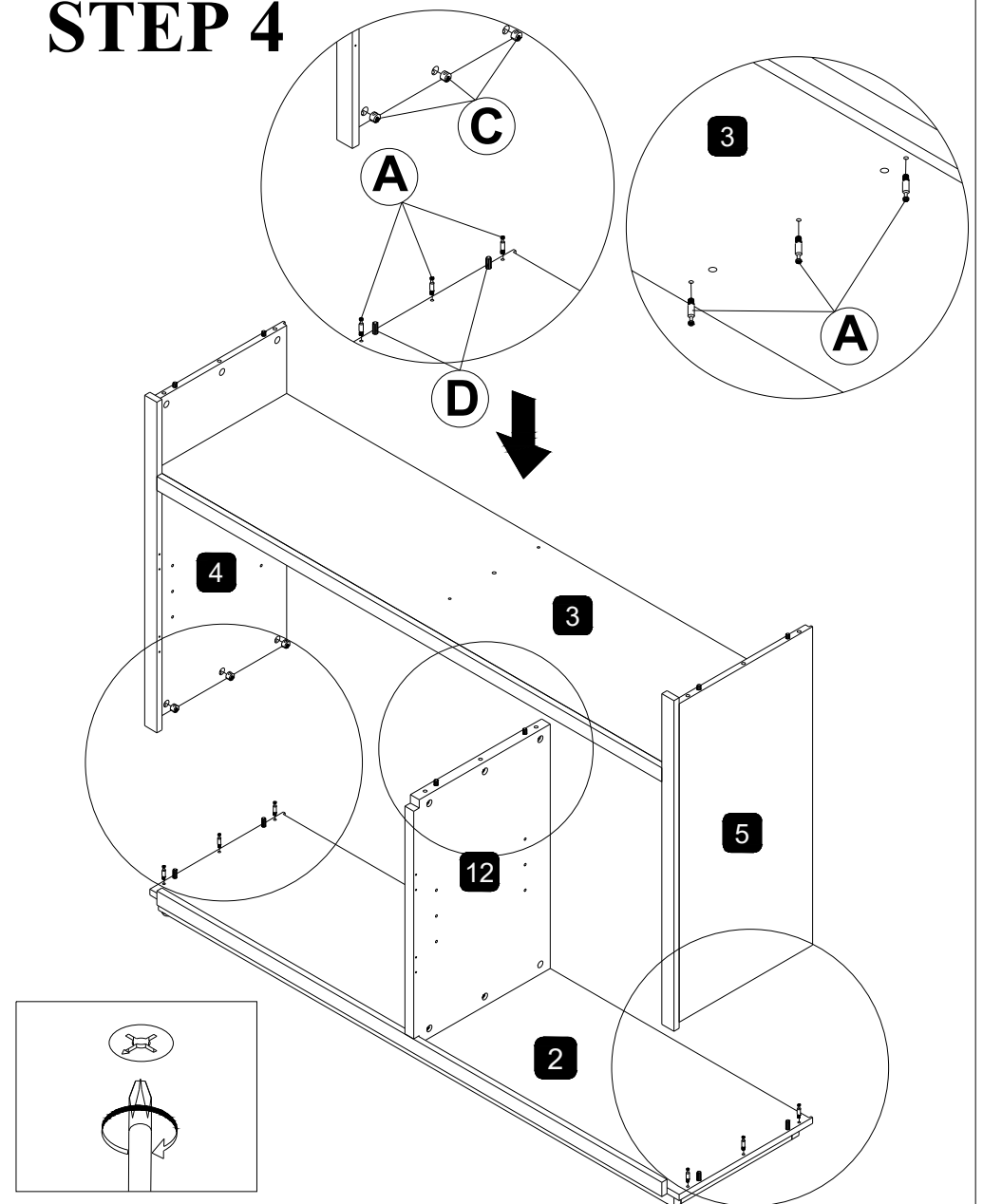

D X 4pcs




STEP 3




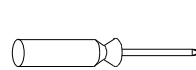
STEP 4



 A X 6pcs


 C X 6pcs

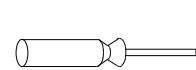
 D X 8pcs



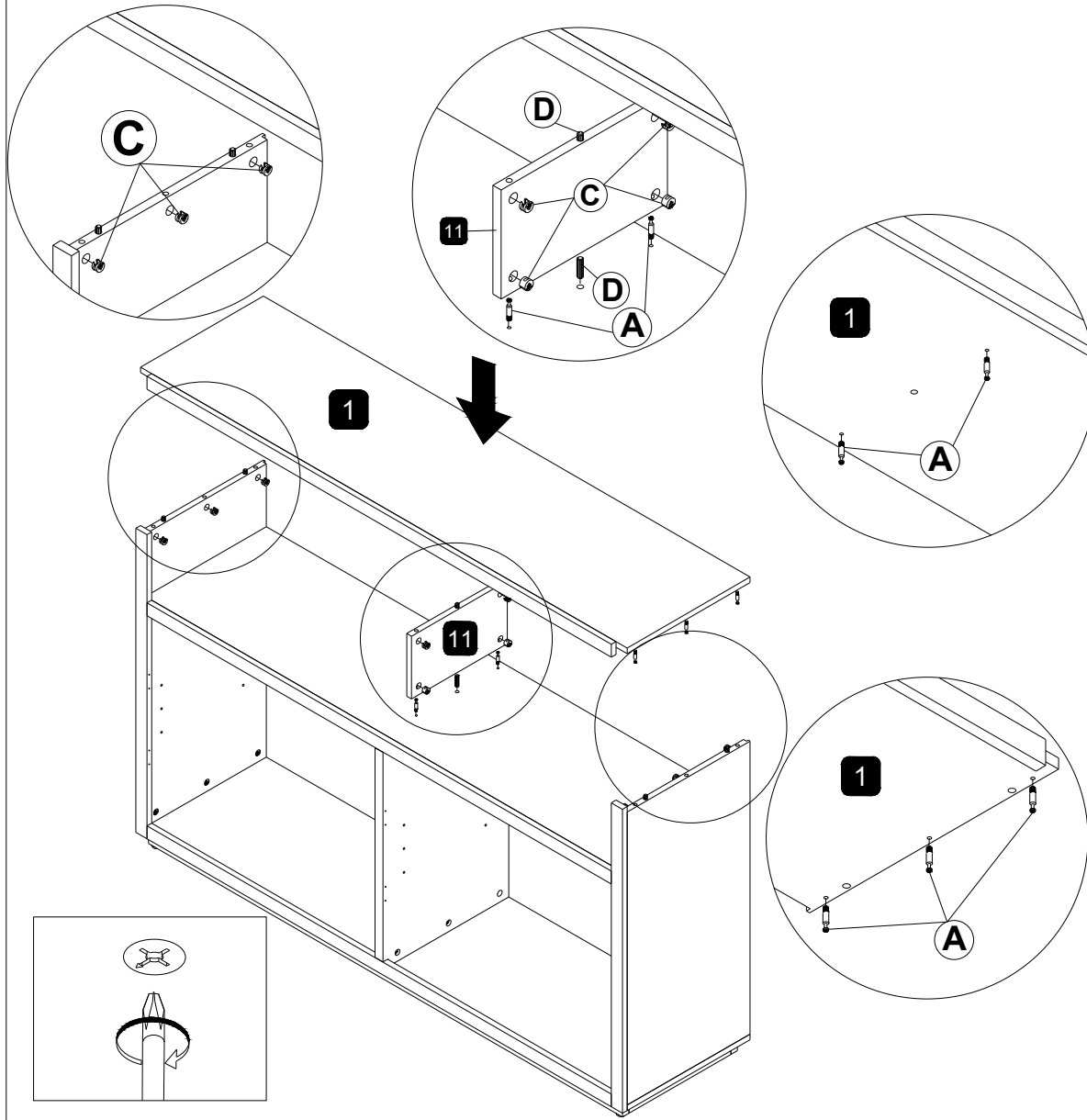
 A X 9pcs

 C X 6pcs

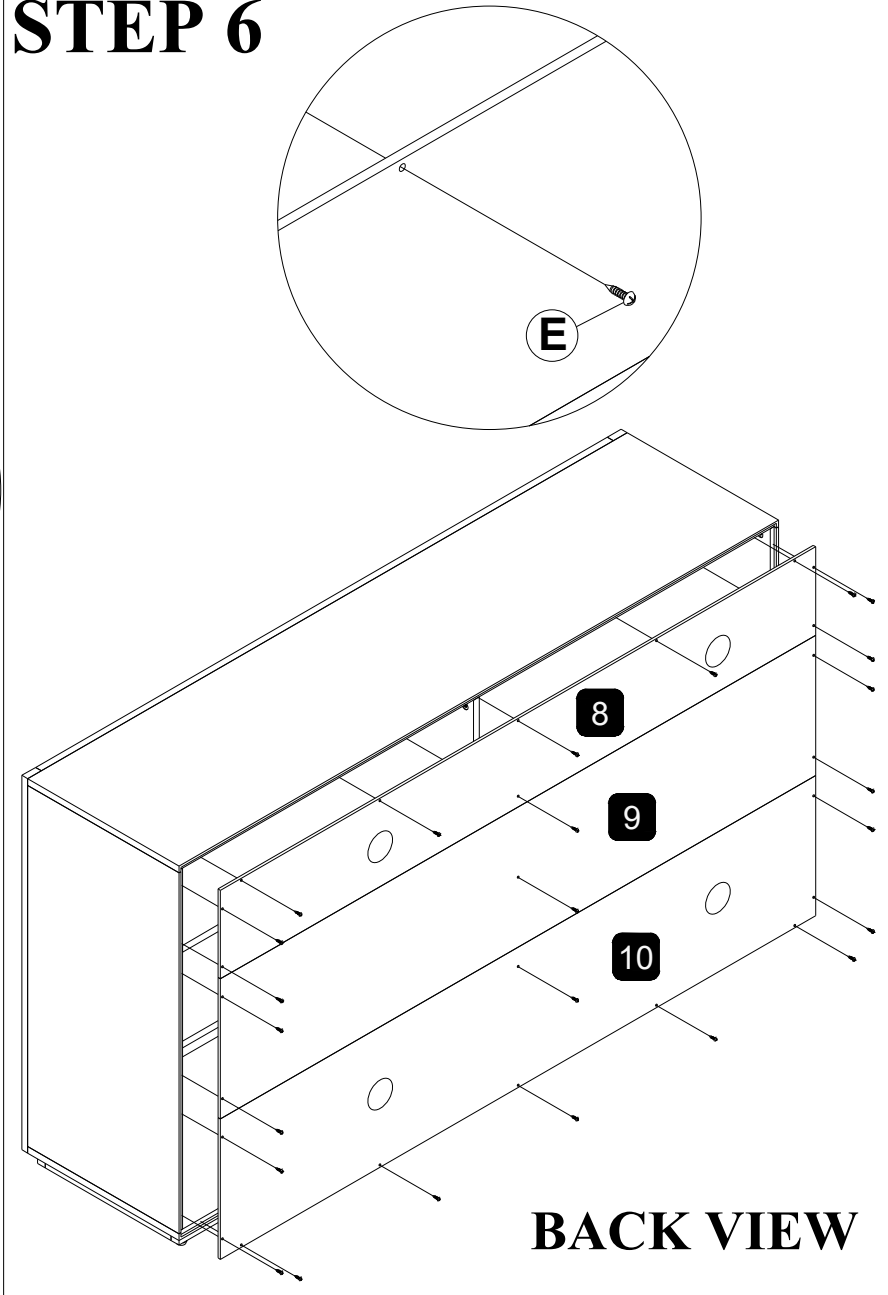
 D X 4pcs

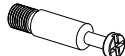



STEP 5




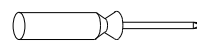
STEP 6




 A X 10pcs

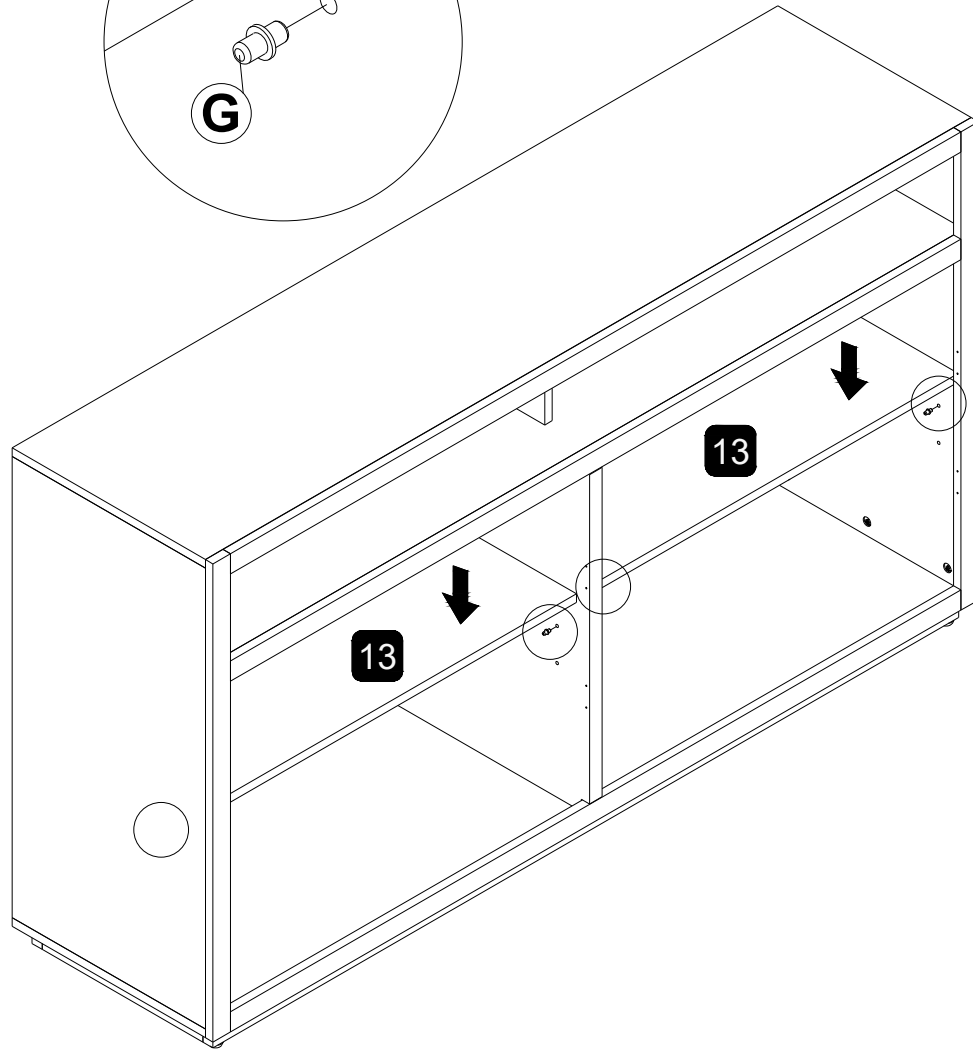
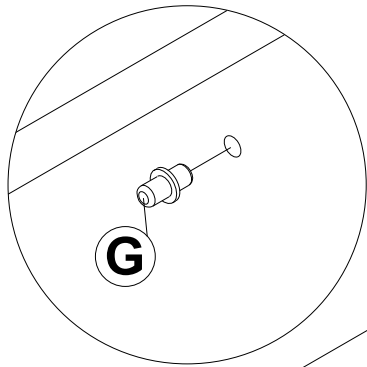
 C X 10pcs

 D X 2pcs

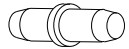
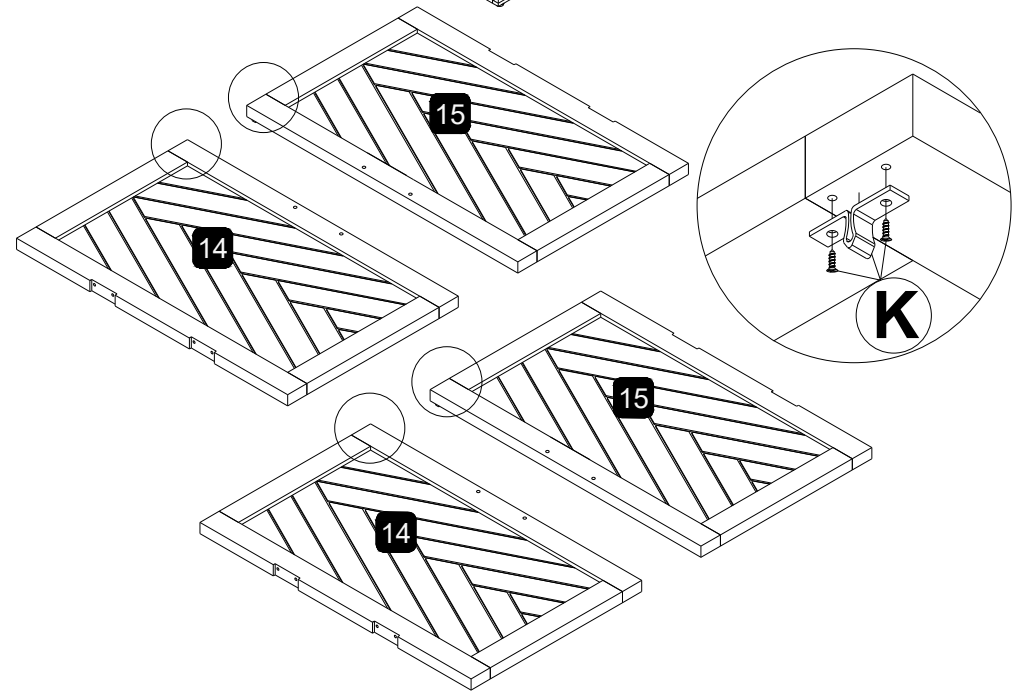
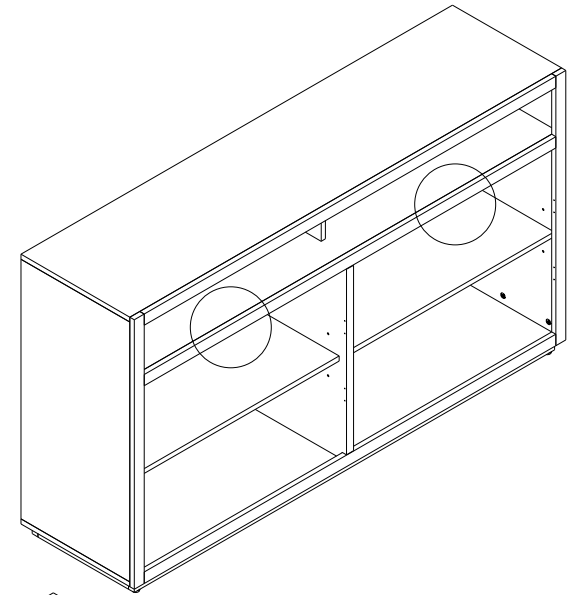
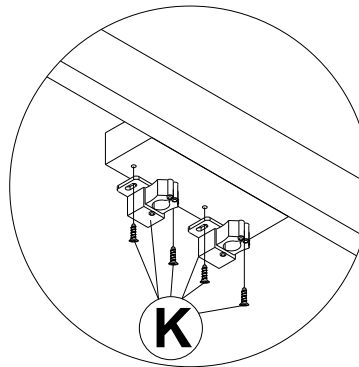


 E X 25pcs

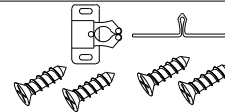
STEP 7



STEP 8

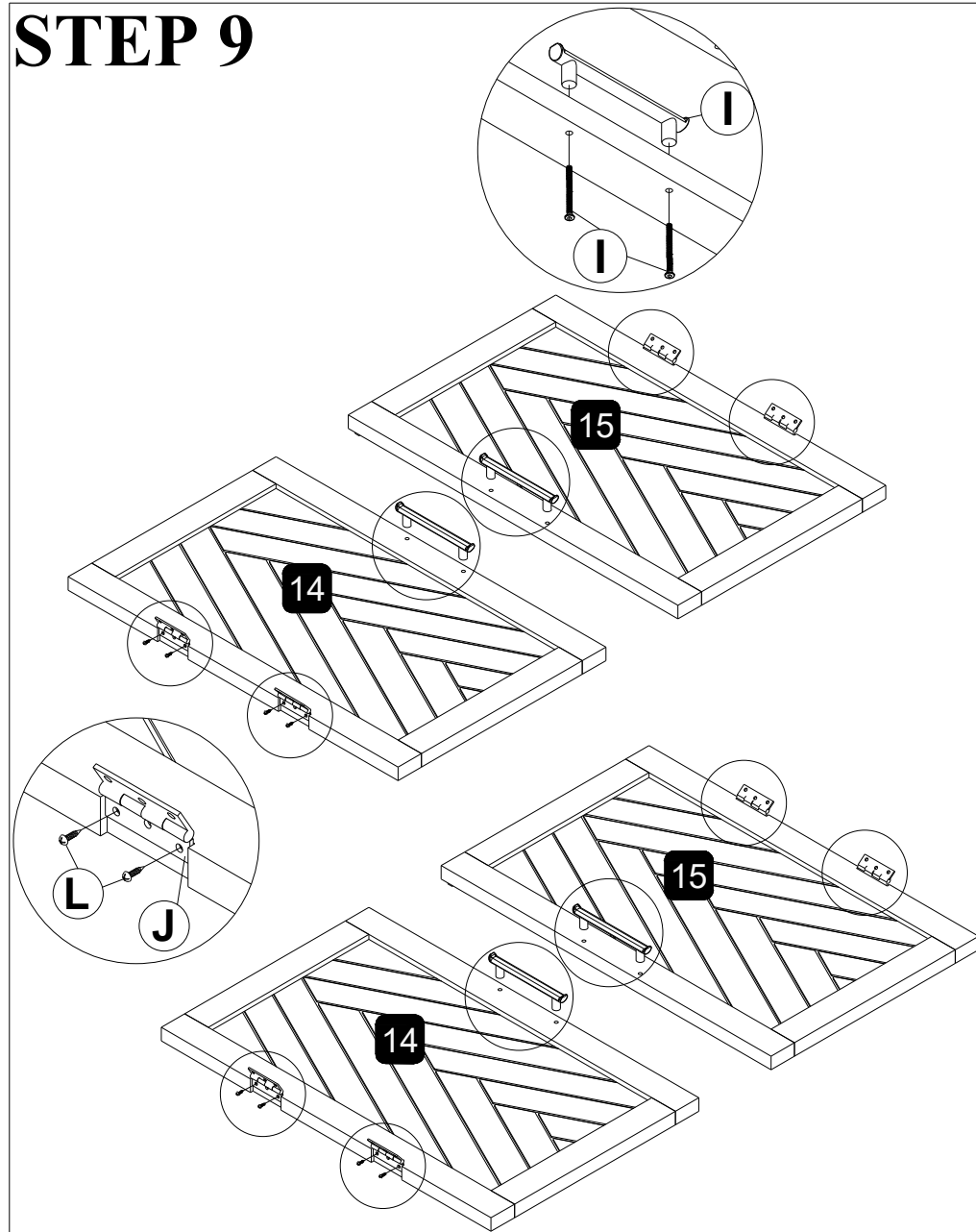


G X 8pcs

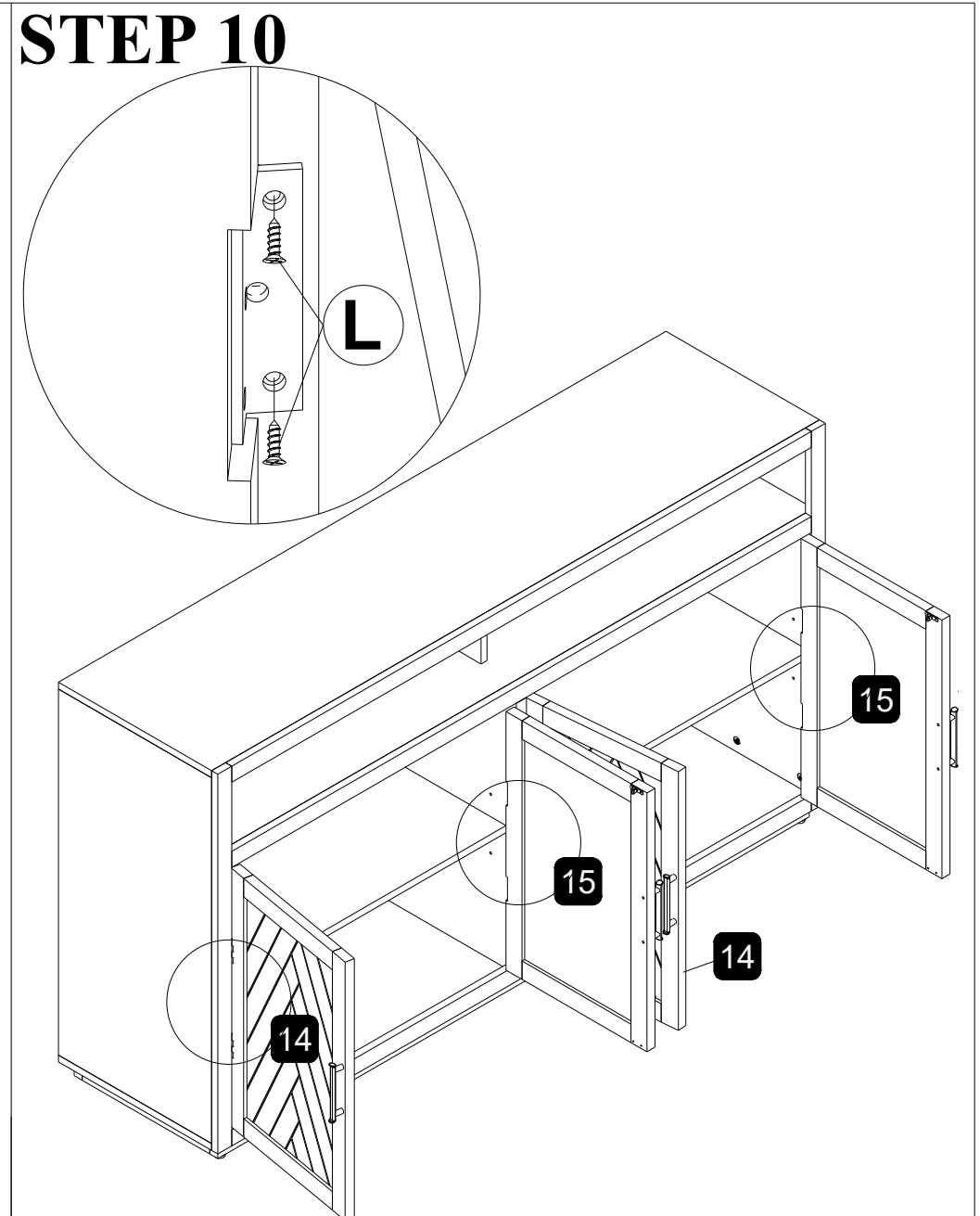



K X 4sets

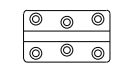
STEP 9

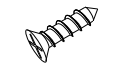


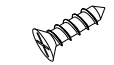
STEP 10




I X 4sets

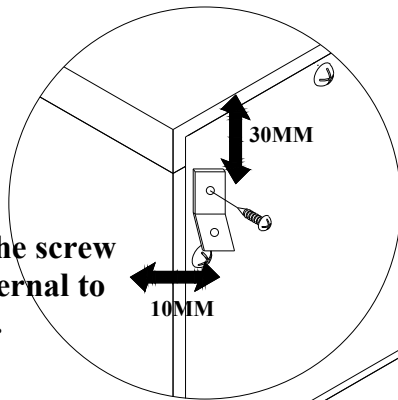

J X 8pcs


L X 16pcs

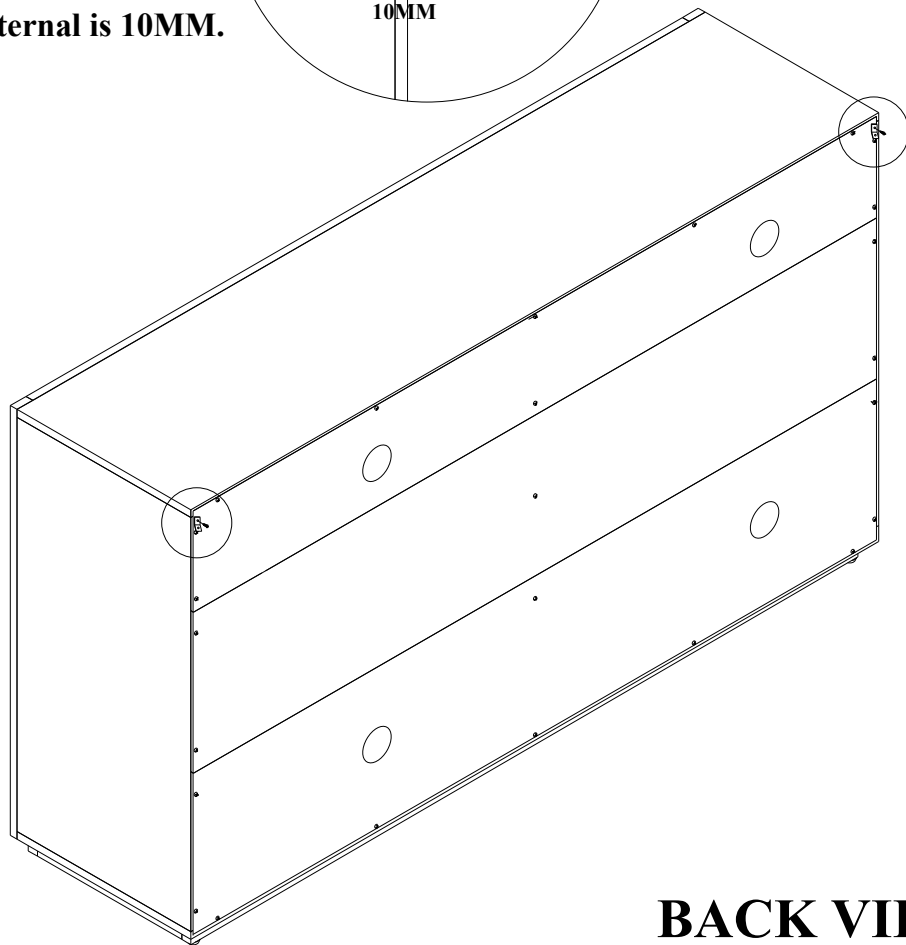

L X 16pcs

Anti Tipping Kits was provided along with the hardware. Carefully assembly if required.

Distance to drill the screw measure from external to internal is 10MM.



Distance to drill the screw measure from upper to lower is 30MM.



BACK VIEW

ASSEMBLY COMPLETE

