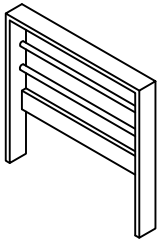
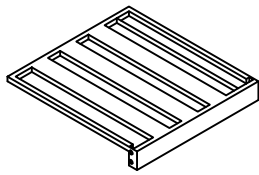


ASSEMBLY INSTRUCTION

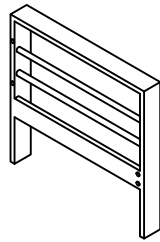
A 2PCS



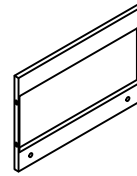
B 2PCS



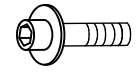
C 2PCS



D 2PCS



10PCS



M6X20MM

2PCS

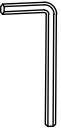


8PCS

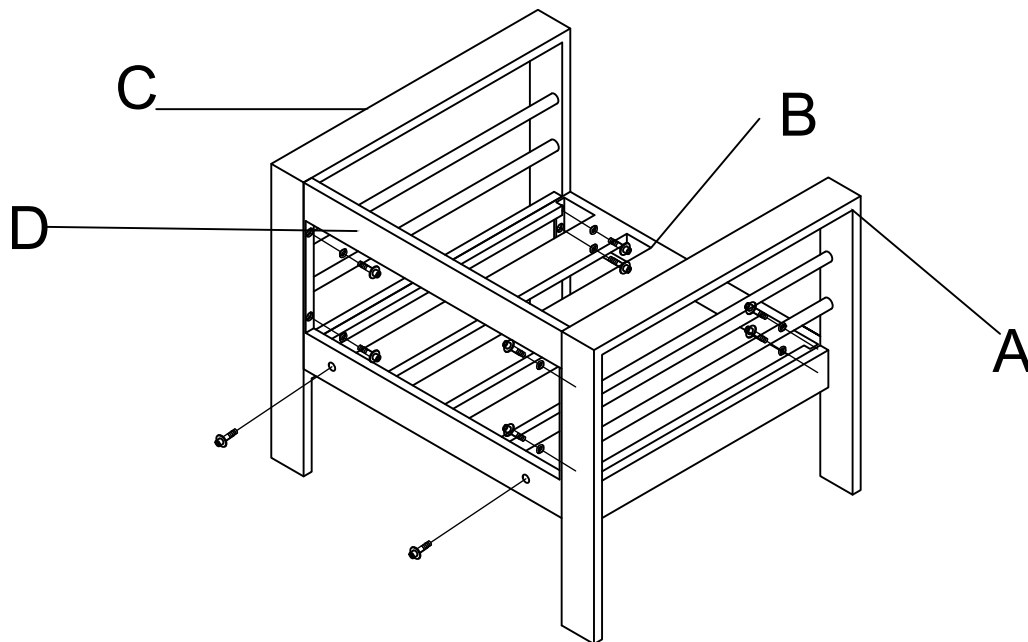


M6

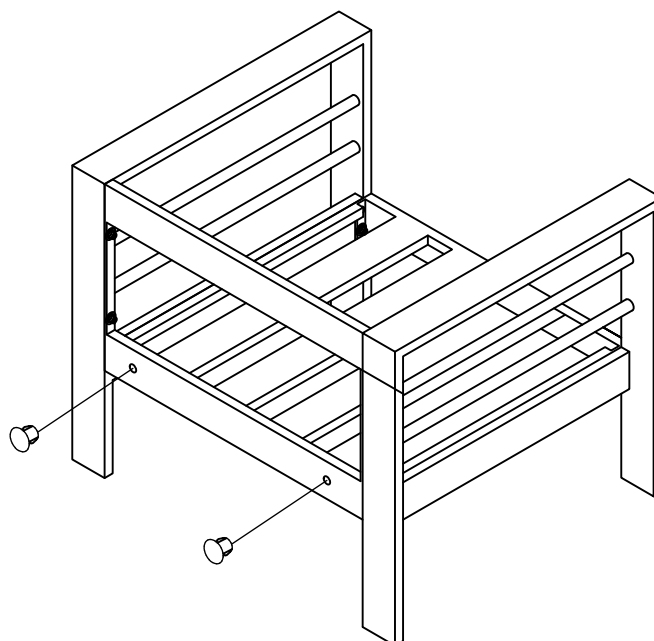
1PCS



Step 1



Step 2



X2PCS