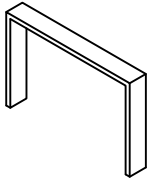
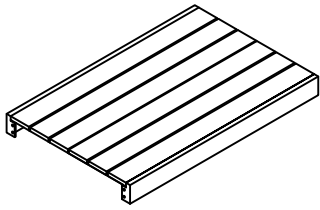


# ASSEMBLY INSTRUCTION

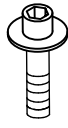
E 2PCS



F 1PC



8PC



M6X20MM

16PCS



M6

8PCS



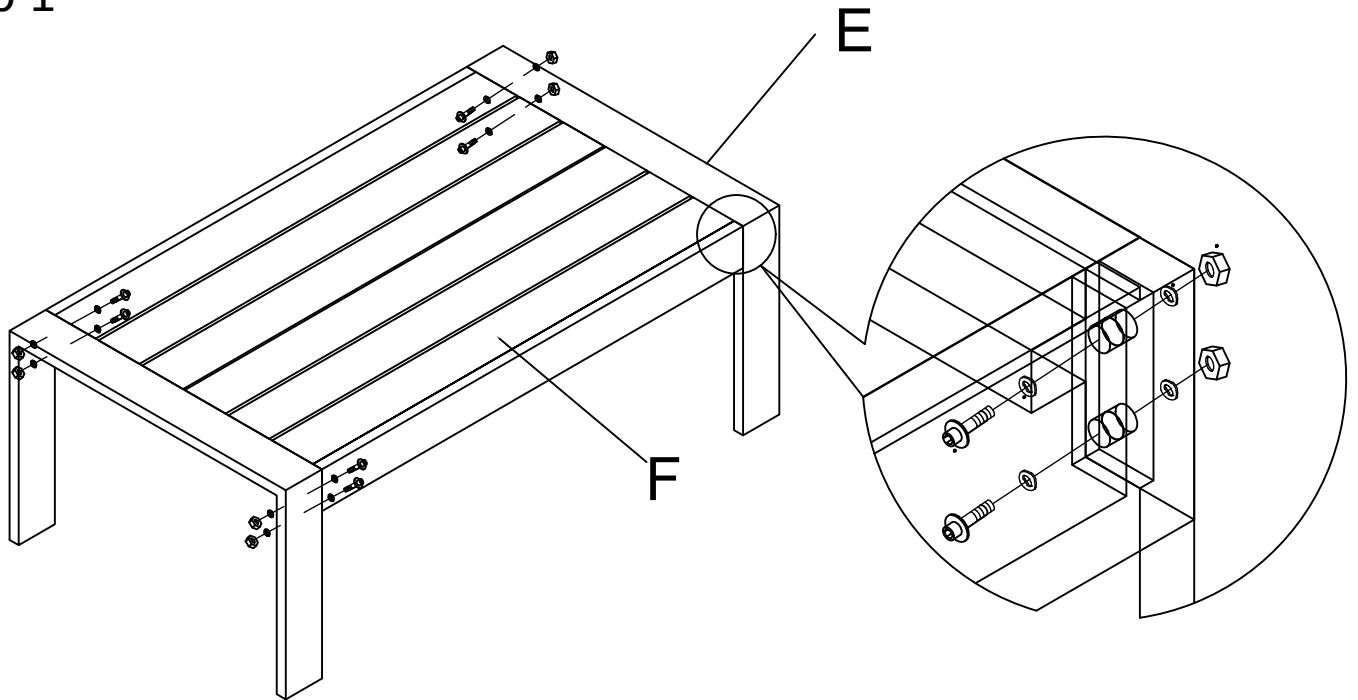
1PCS



1PCS



## Step 1



## Step 2

