

# INSTRUCTION MANUAL



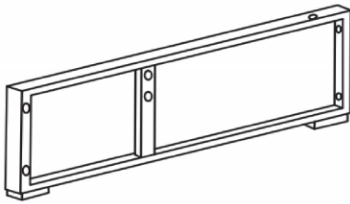
# IMPORTANCE

1. Please DO NOT fix screws tightly until all screws and holes have been connected successfully.
2. Thread the screws a little bit first, leave them loose until ALL screws are in, and then tighten them all.
3. Please contact us and attach part images and SKU numbers if there is any trouble with assembly or missing or damaged parts.
4. Don't expose cushions in the BURNING sun for a long time, please cover the set or put cushions in door during rainy or snowy days.
5. Please DO NOT discard packing boxes before all parts are assembled successfully.

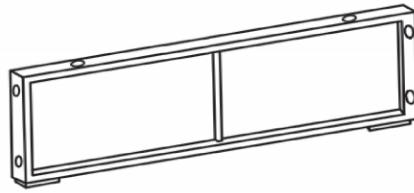
Thank you!

# Parts List of Chaise Lounge

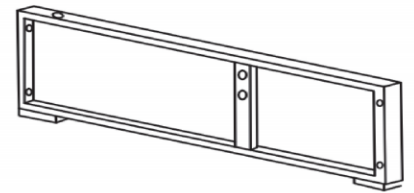
## Parts List of Chaise Lounge



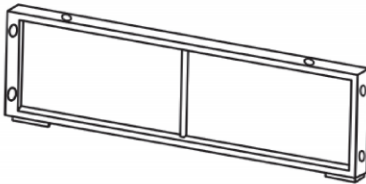
A 1pc



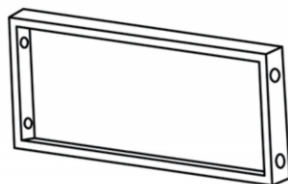
B 1pc



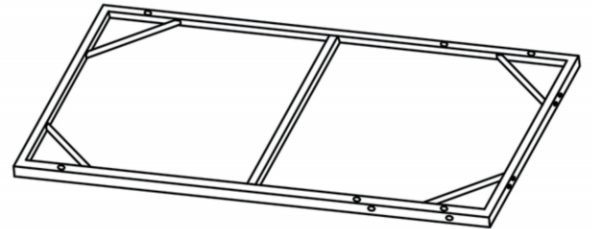
C 1pc



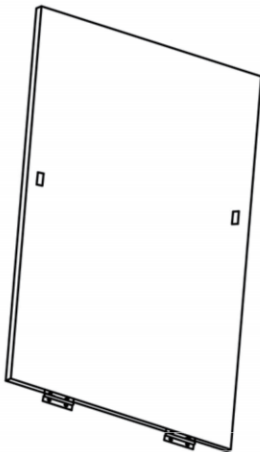
D 1pc



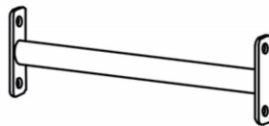
E 2pcs



F 1pc



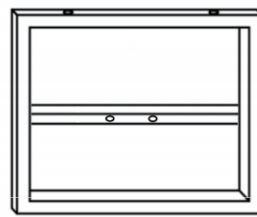
K 1pc



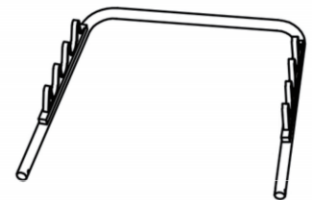
I 1pc



H<sub>1</sub> 1pc



H 1pc



J 1pc



U<sub>2</sub>

Ø6  
34 pcs



L

Ø6  
4 pcs



M

M4\*15mm  
4 pcs



N

M6\*15mm  
6 pcs



O

M6\*25mm  
2 pcs



G

M6\*35mm  
16 pcs



Q

M6\*50mm  
4 pcs



F<sub>2</sub>

M6  
6 pcs



M4 Allen Key  
1 pc



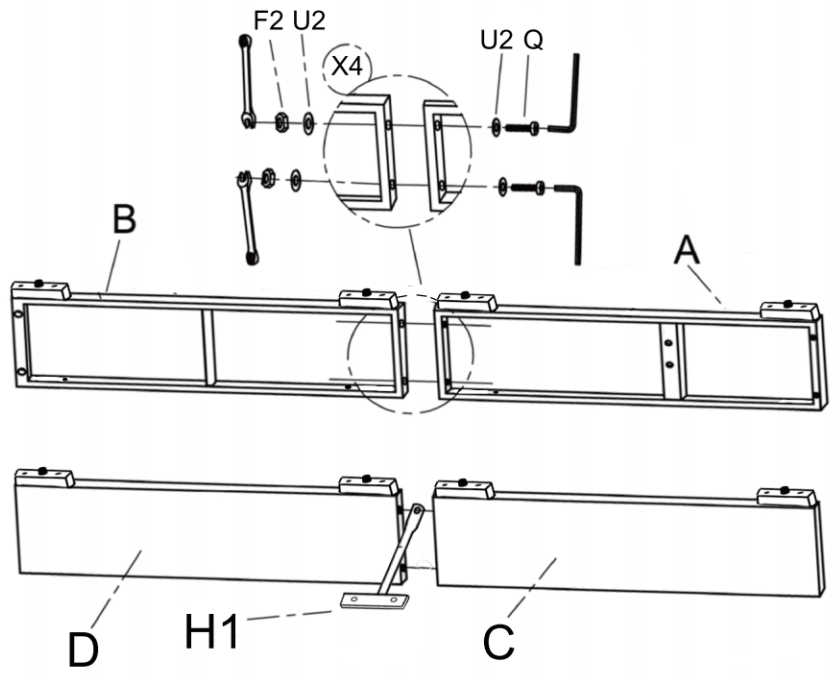
M6 Allen Key  
1 pc



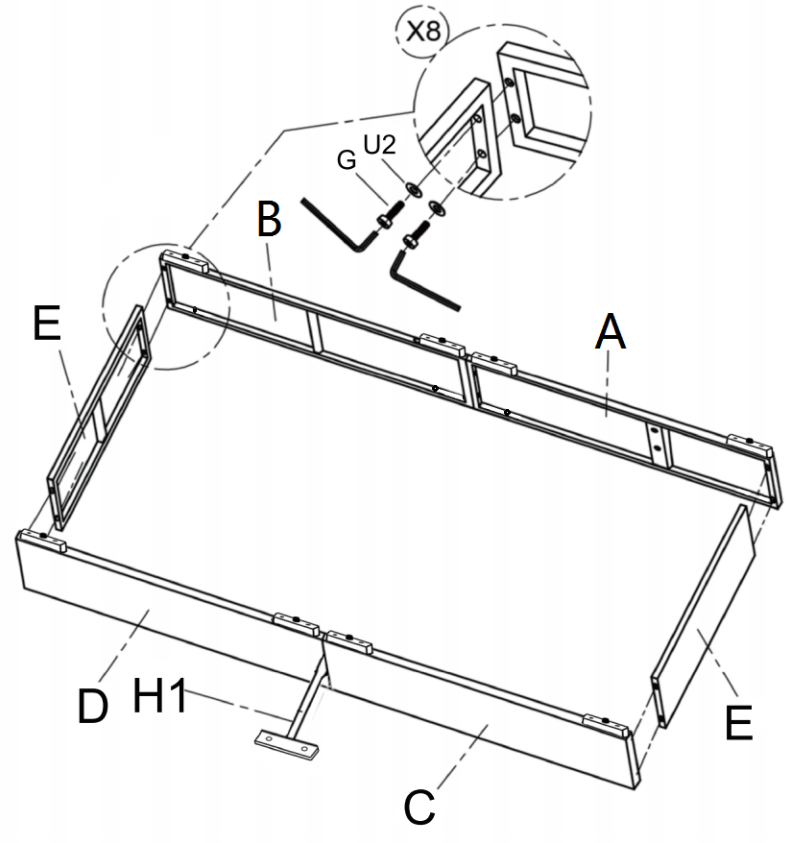
Spanne  
1 pc

# Assembly Step

STEP:1

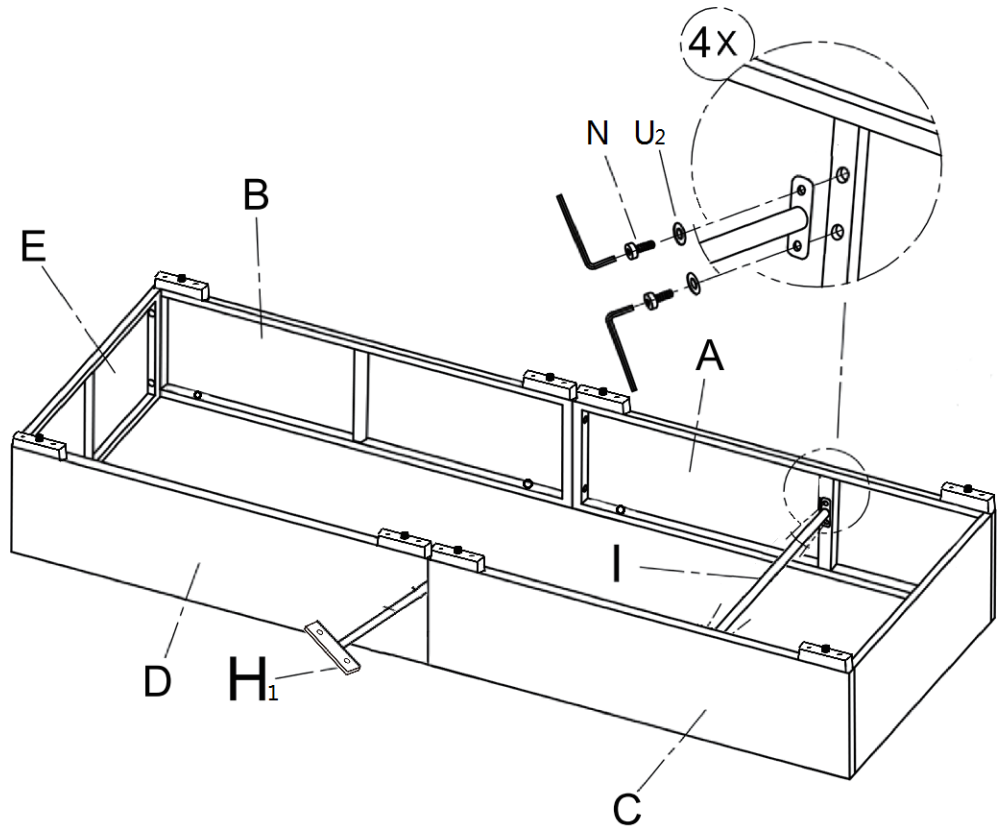


STEP:2

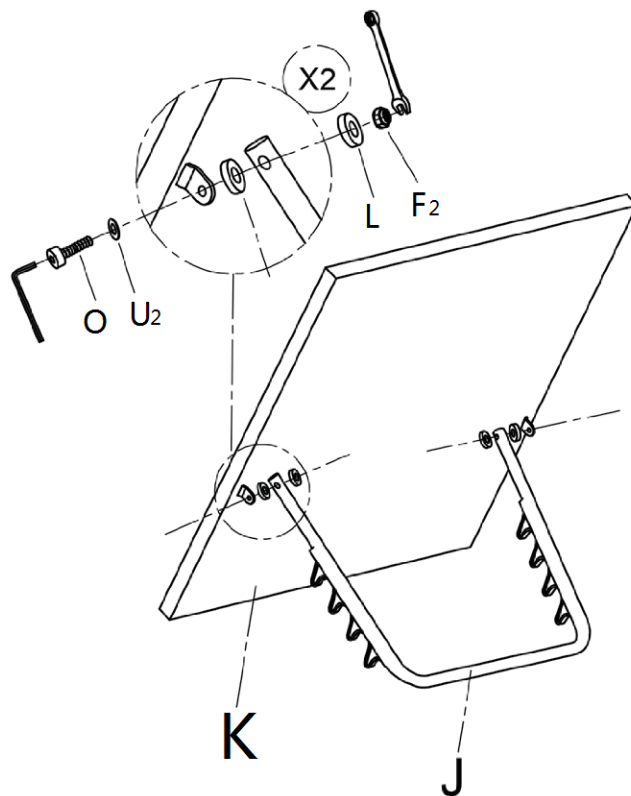


# Assembly Step

STEP:3



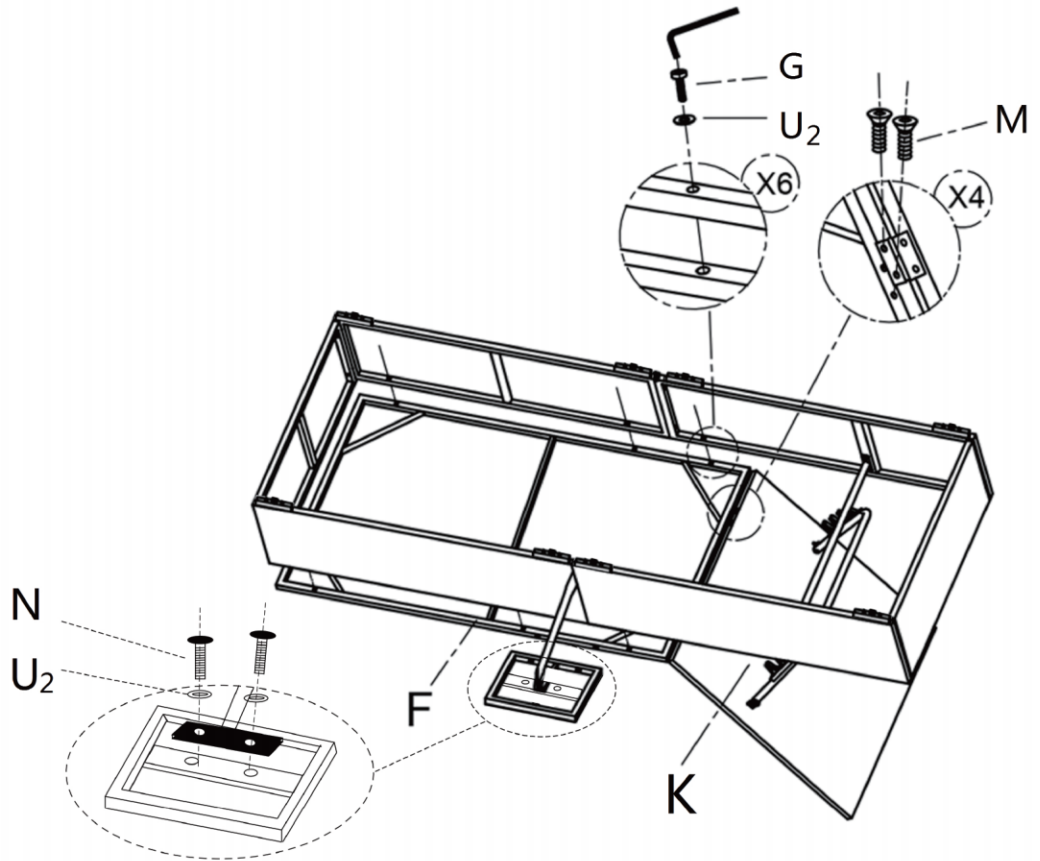
STEP:4





# Assembly Step

STEP:5



STEP:6

