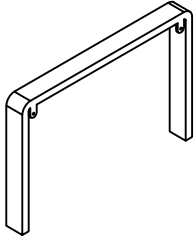
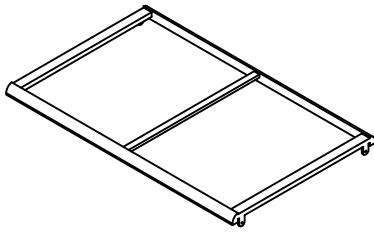


ASSEMBLY INSTRUCTION

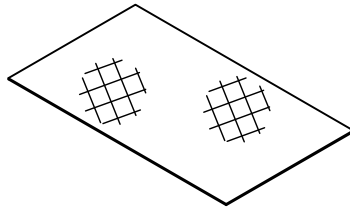
G 2PC



F 1PC



H 1PC



4PC



M6X45MM

4PC

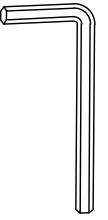


M6

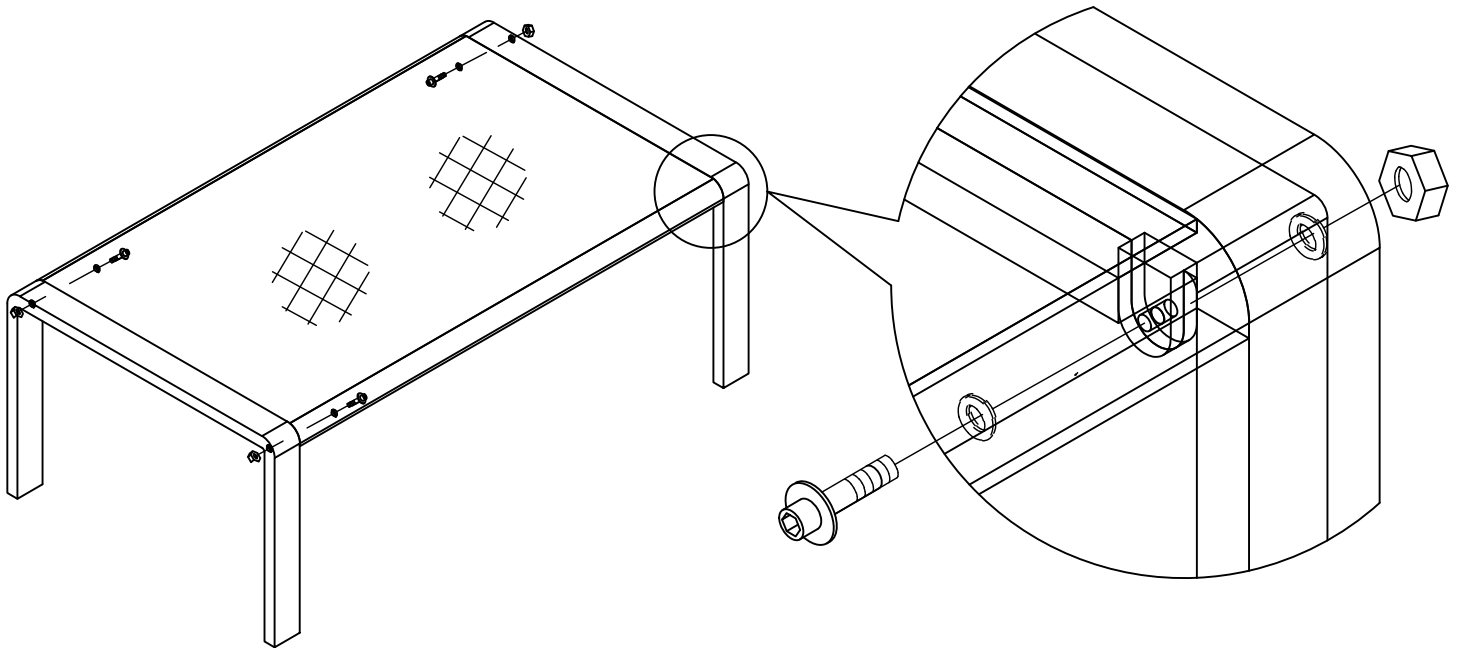
4PC



1PCS



Step 1



Step 2

