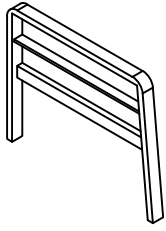
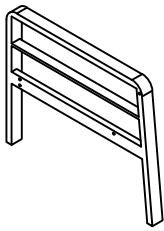


ASSEMBLY INSTRUCTION

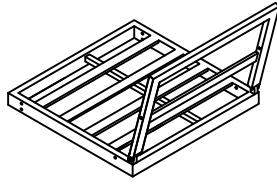
A 1PC



B 1PC



D 1PC

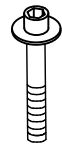


6PC



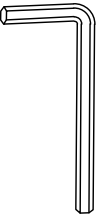
M6X35MM

2PC



M6X55MM

1PCS

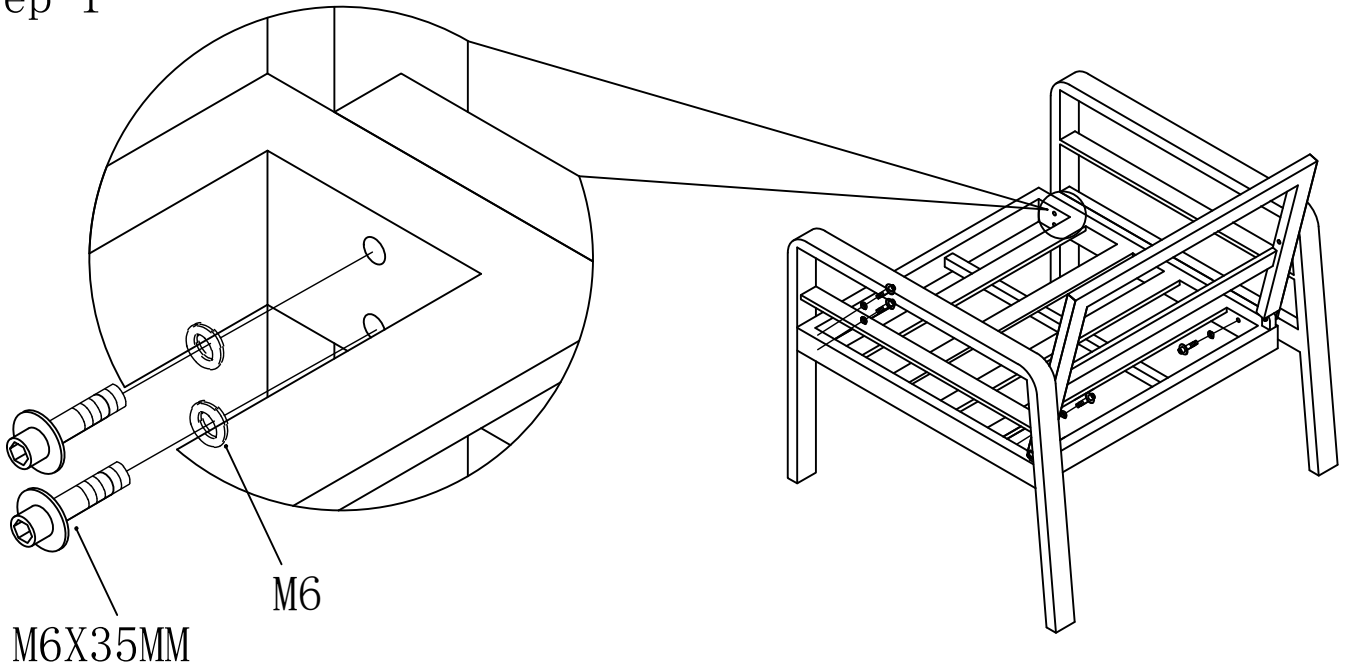


8PC



M6

Step 1



Step 2

