

OUTDOOR SECTIONAL

INSTRUCTION MANUAL

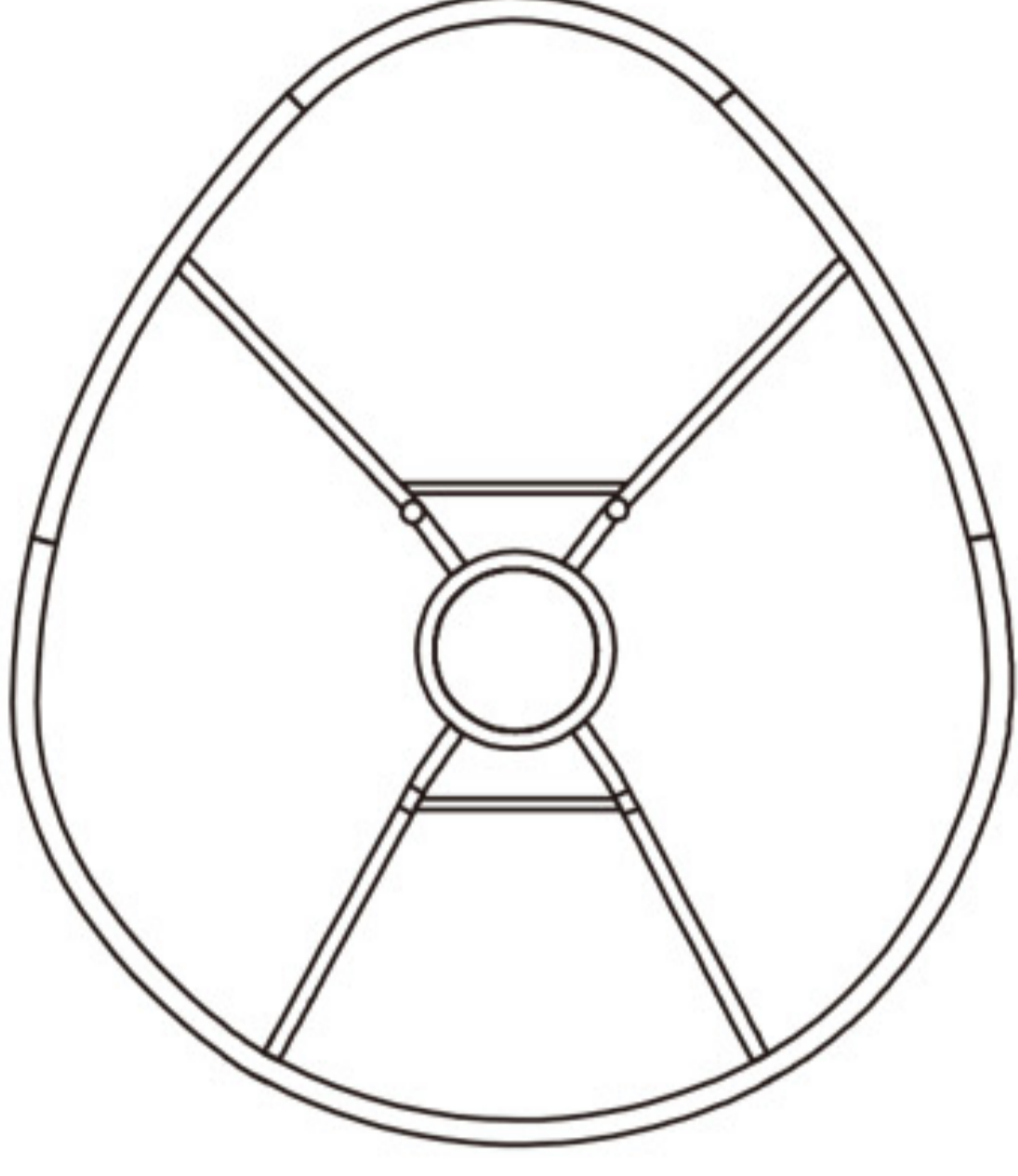



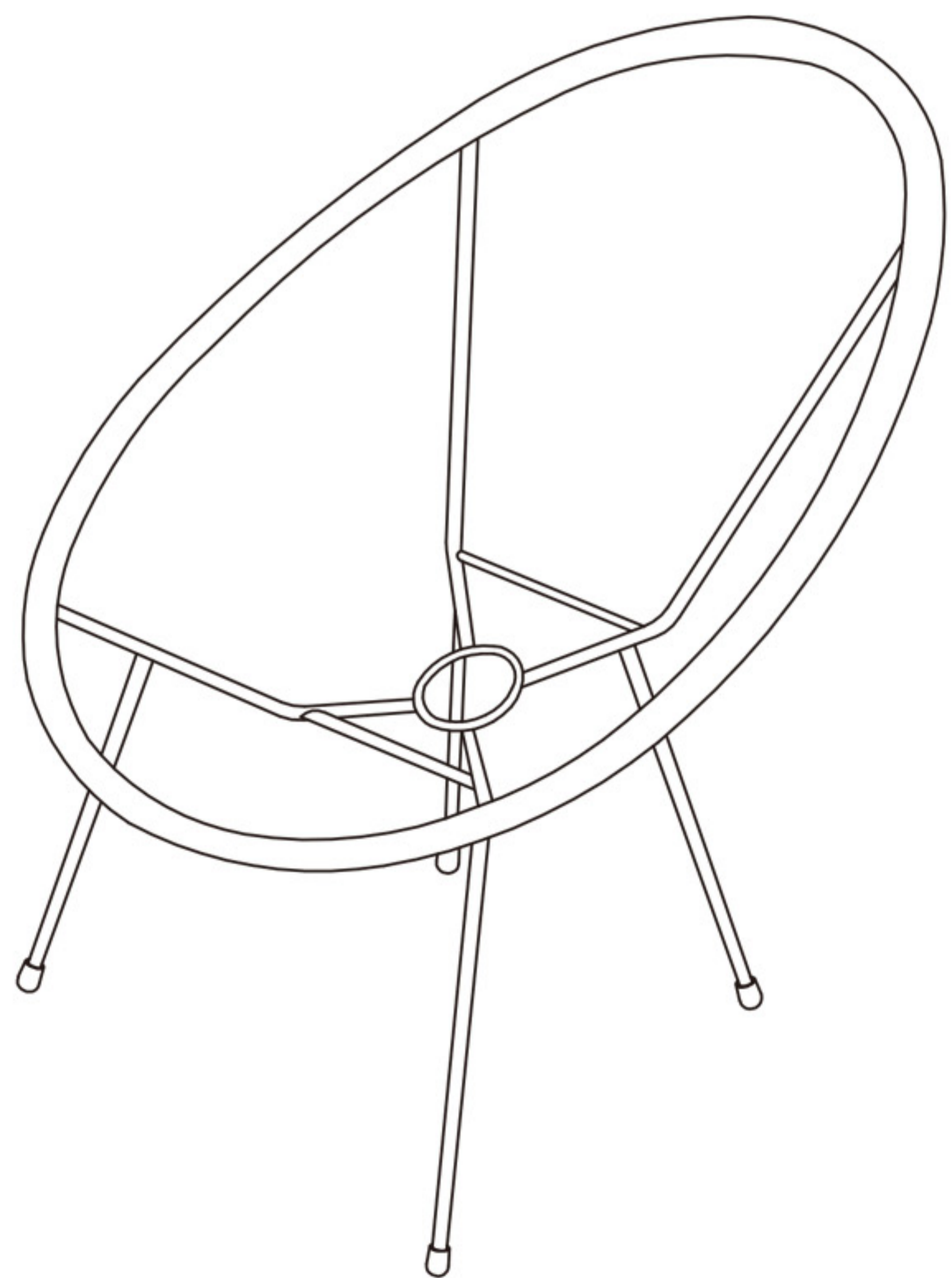
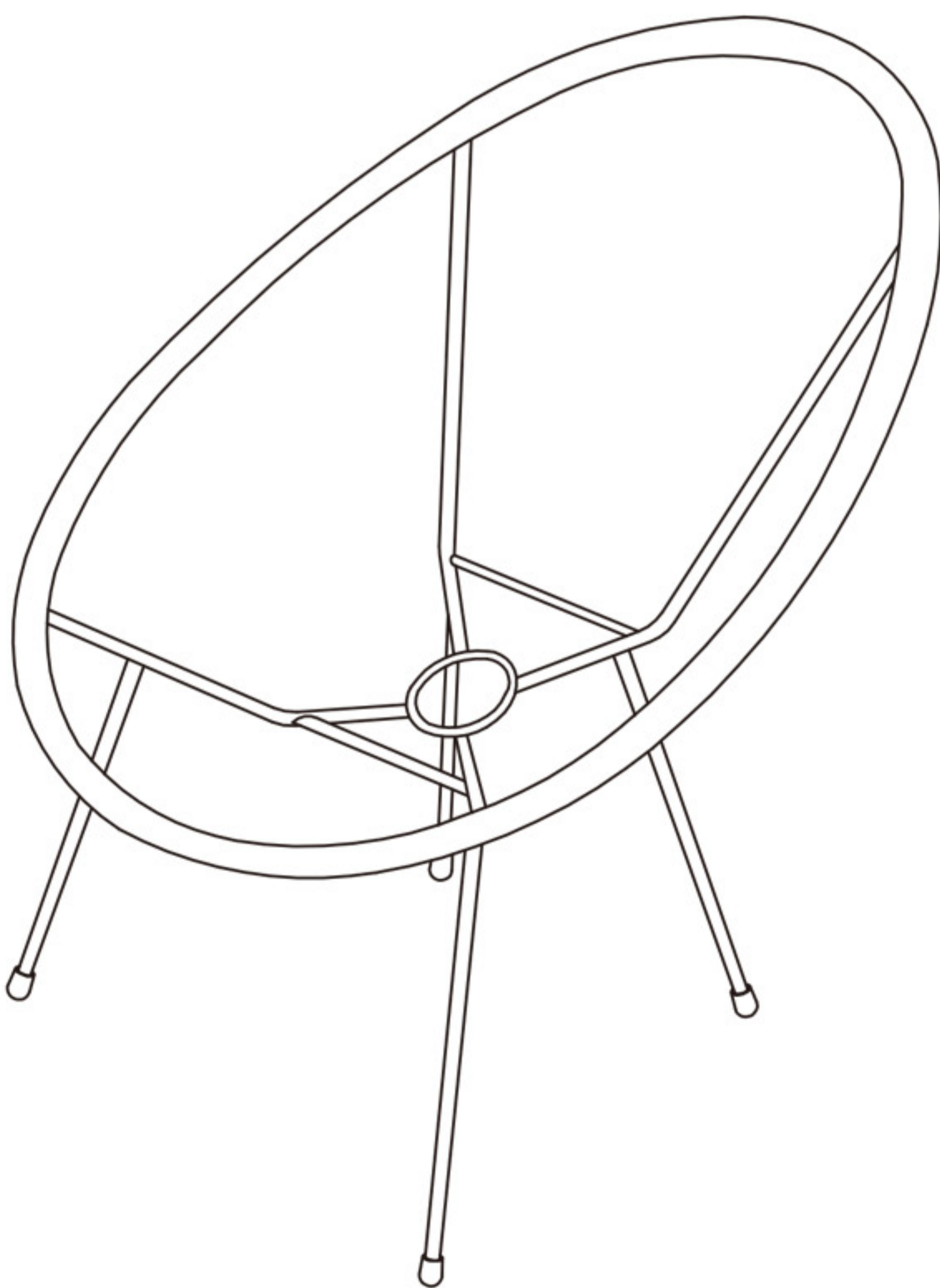
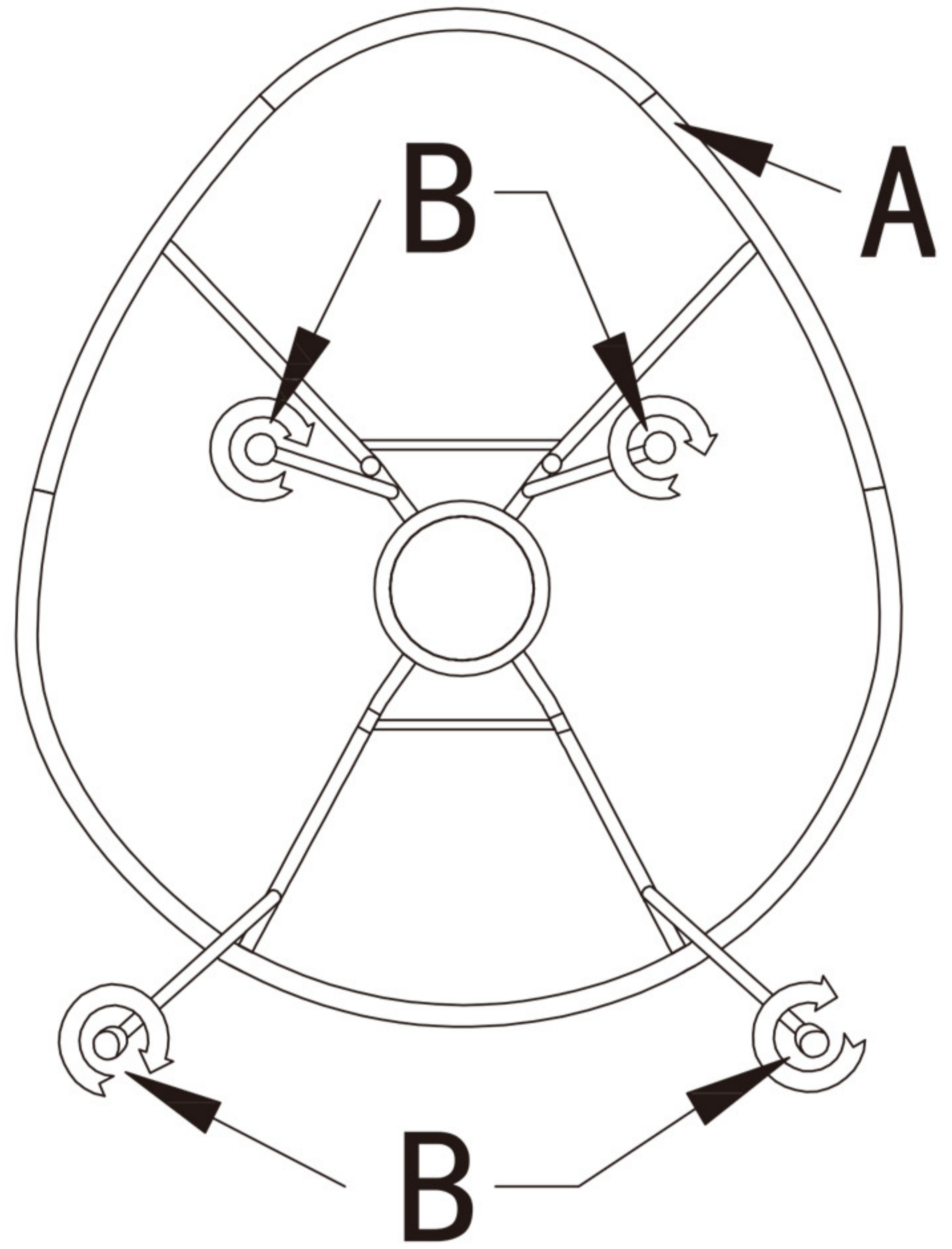
IMPORTANCE

- ▶ 1. Please DO NOT fix screws tightly until all screws and holes have been connected successfully.
- ▶ 2. Thread the screws a little bit first, leave them loose until ALL screws are in, and then tighten them all.
- ▶ 3. Please email us with PICTURES of parts and SKU# info. on box marks if there is any trouble with assembly or missing or damaged parts.
- ▶ 4. Don't expose cushions (if have) in the BURNING sun for a long time, please cover the set or put cushions indoor during rainy or snowy days.
- ▶ 5. Please DO NOT discard packing boxes before all parts are assembled successfully.
- ▶ 6. DO NOT touch the glass (if have) with bare hands if the glass is broken during shipping.

Thank you!

Assembly Step

A		2
B		8



Assembly Step

