

# Outdoor Furniture Lover Chair

## INSTRUCTION MANUAL

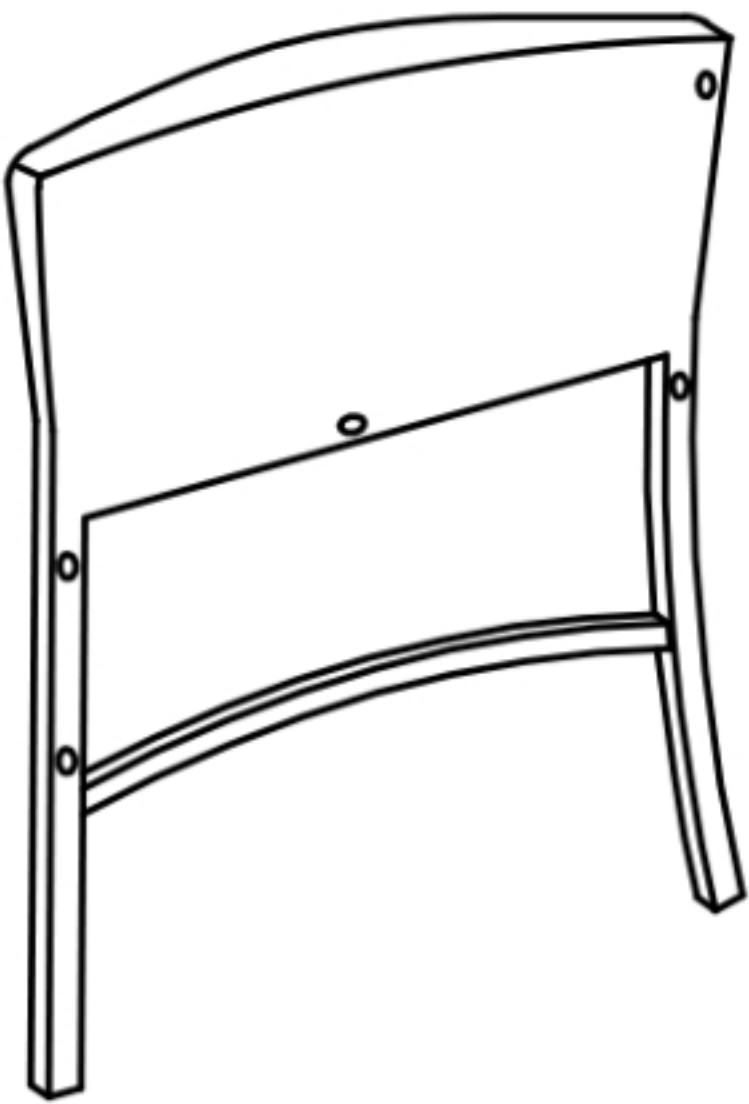


# IMPORTANCE

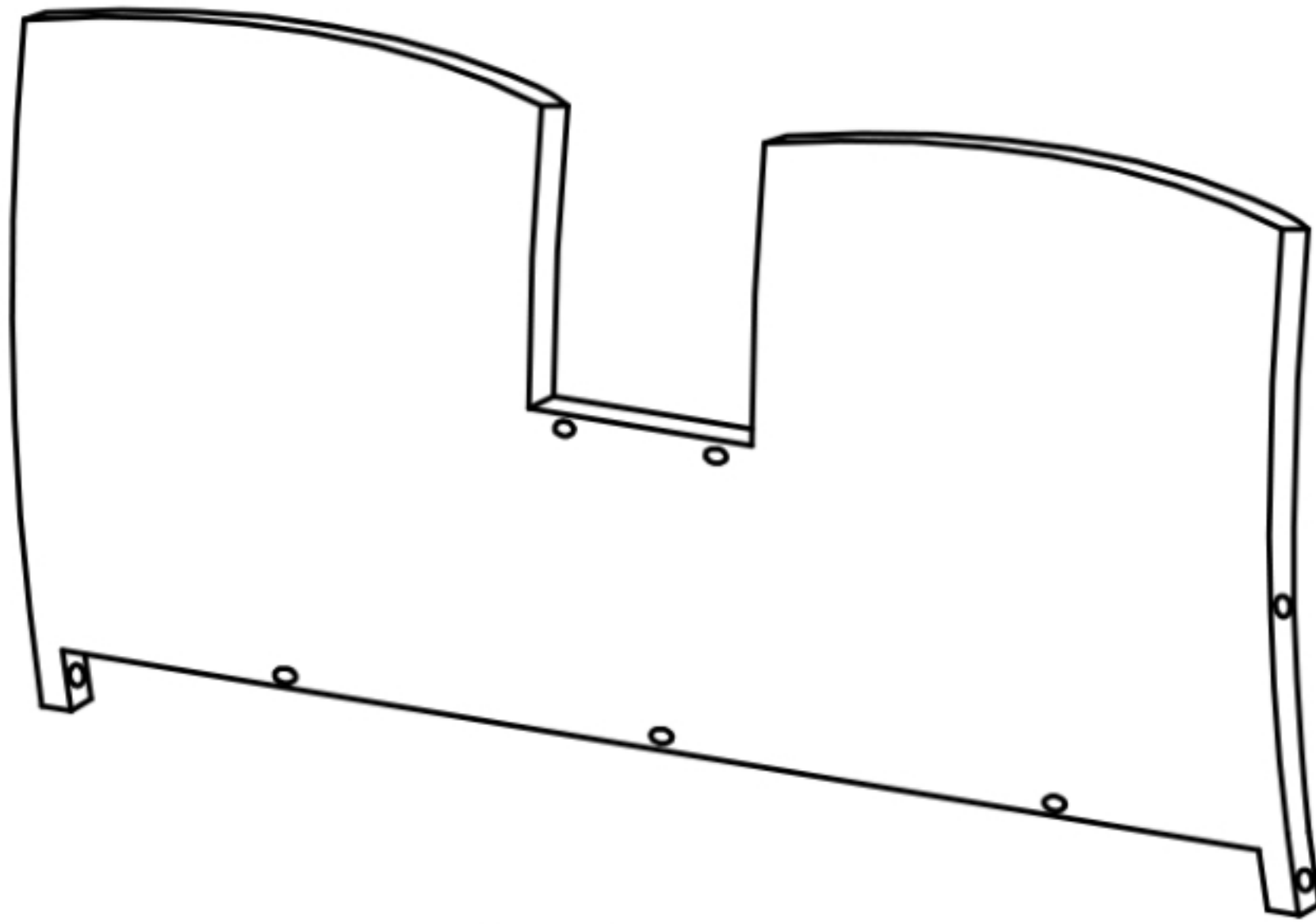
- ▶ 1. Please DO NOT fix screws tightly until all screws and holes have been connected successfully.
- ▶ 2. Thread the screws a little bit first, leave them loose until ALL screws are in, and then tighten them all.
- ▶ 3. Please email us with PICTURES of parts and SKU# info. on box marks if there is any trouble with assembly or missing or damaged parts.
- ▶ 4. Don't expose cushions (if have) in the BURNING sun for a long time, please cover the set or put cushions indoor during rainy or snowy days.
- ▶ 5. Please DO NOT discard packing boxes before all parts are assembled successfully.
- ▶ 6. DO NOT touch the glass (if have) with bare hands if the glass is broken during shipping.

Thank you!

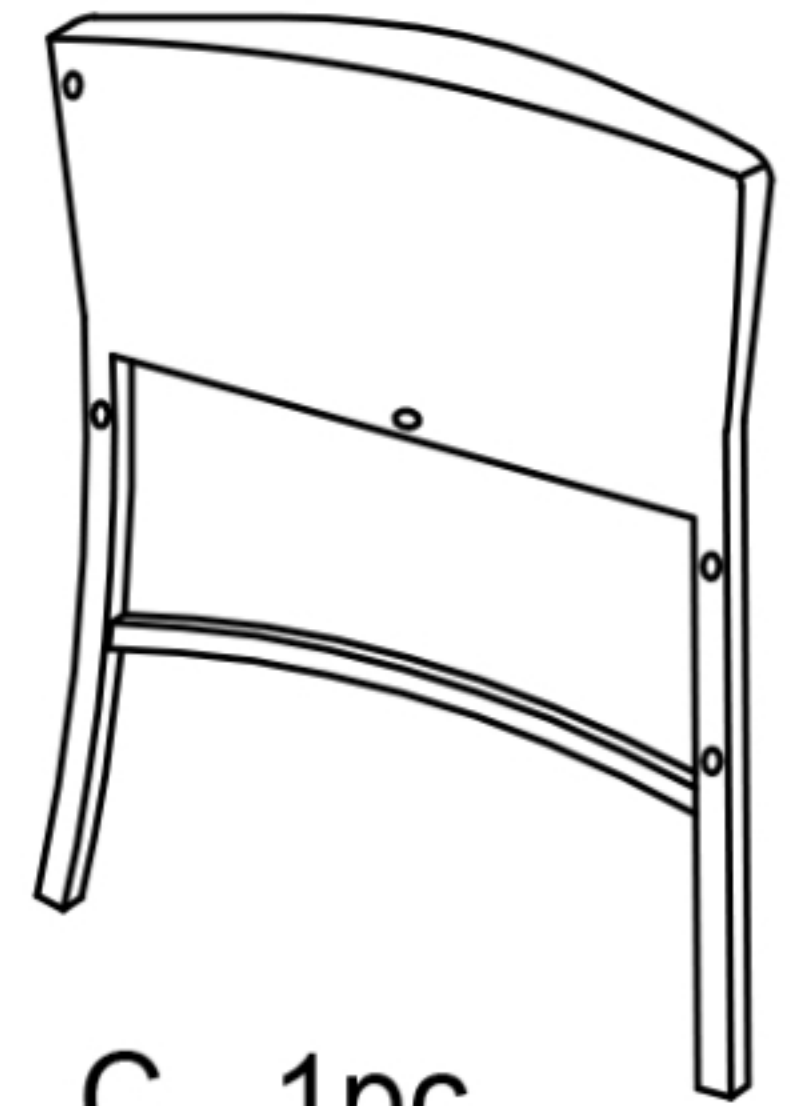
# Parts List of Lover Chairs



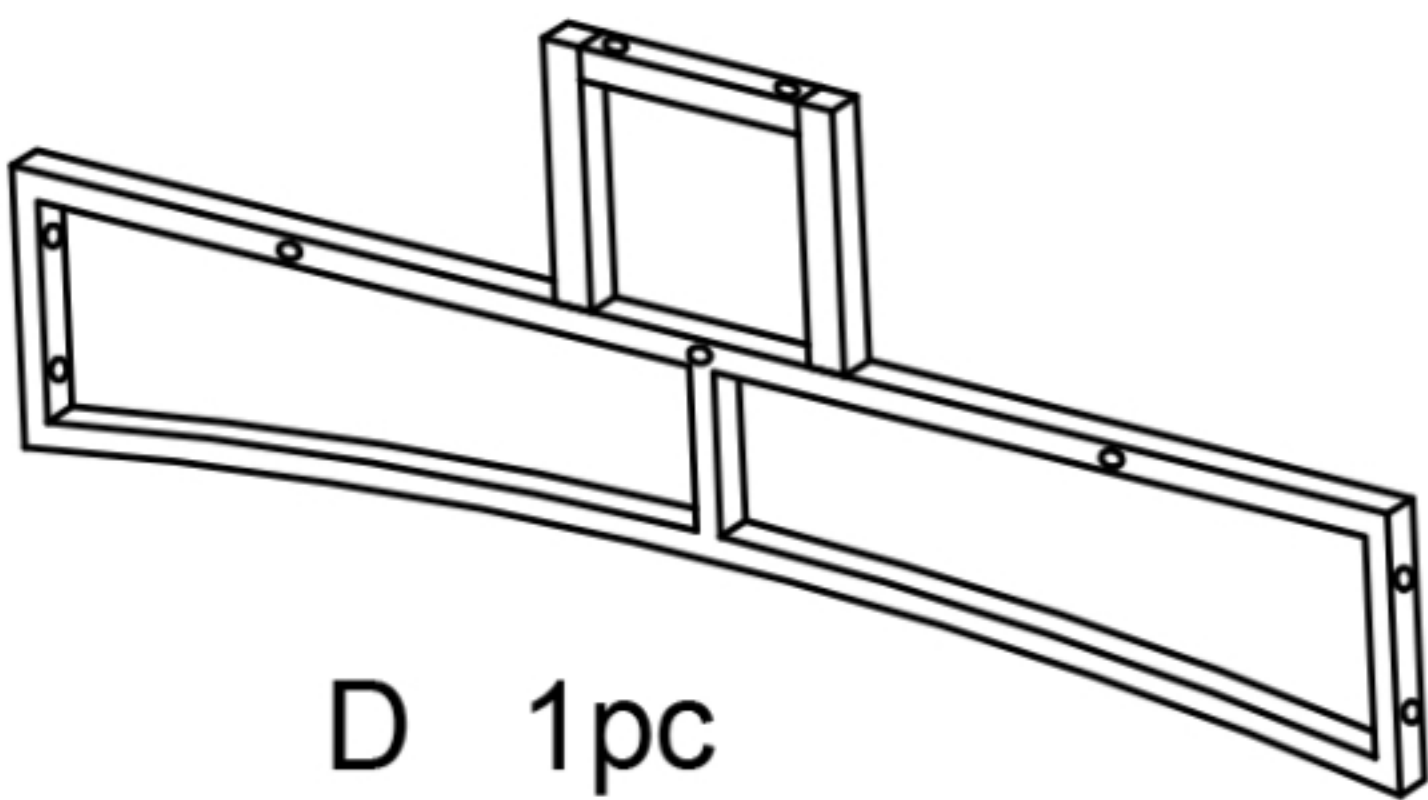
A 1pc  
(Right Armrest)



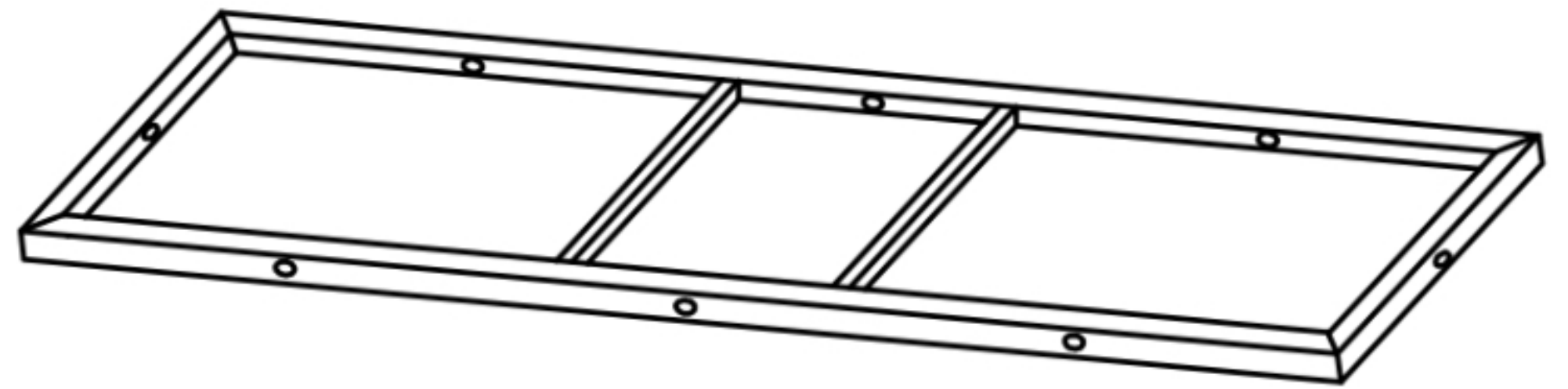
B 1pc  
(Backrest)



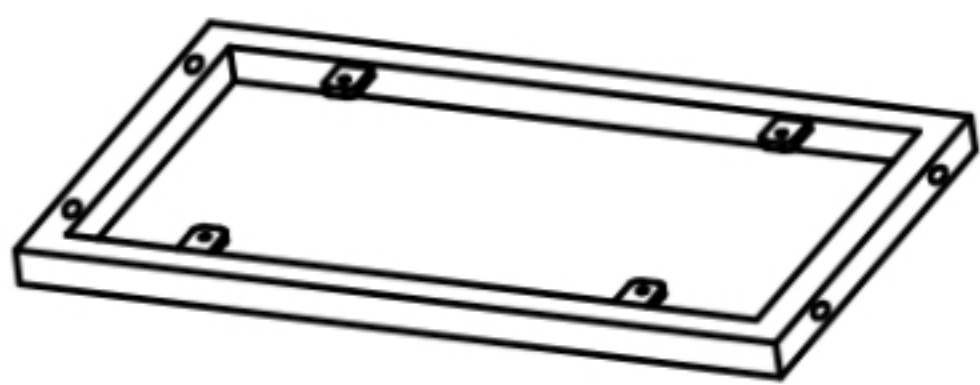
C 1pc  
(Left Armrest)



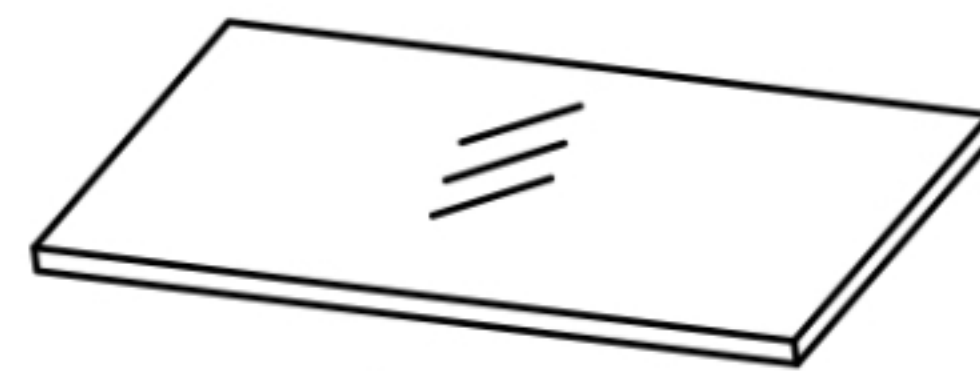
D 1pc  
(Front Panel)



E 1pc  
(Seat Panel)



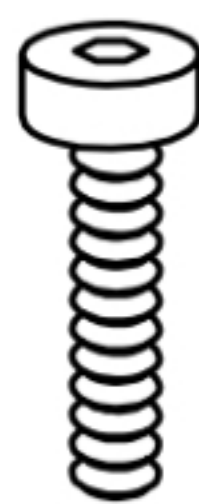
F 1pc  
(Coffee Table Top)



1pc  
(Glass)



a  
20pcs



c M6\*35mm  
20pcs



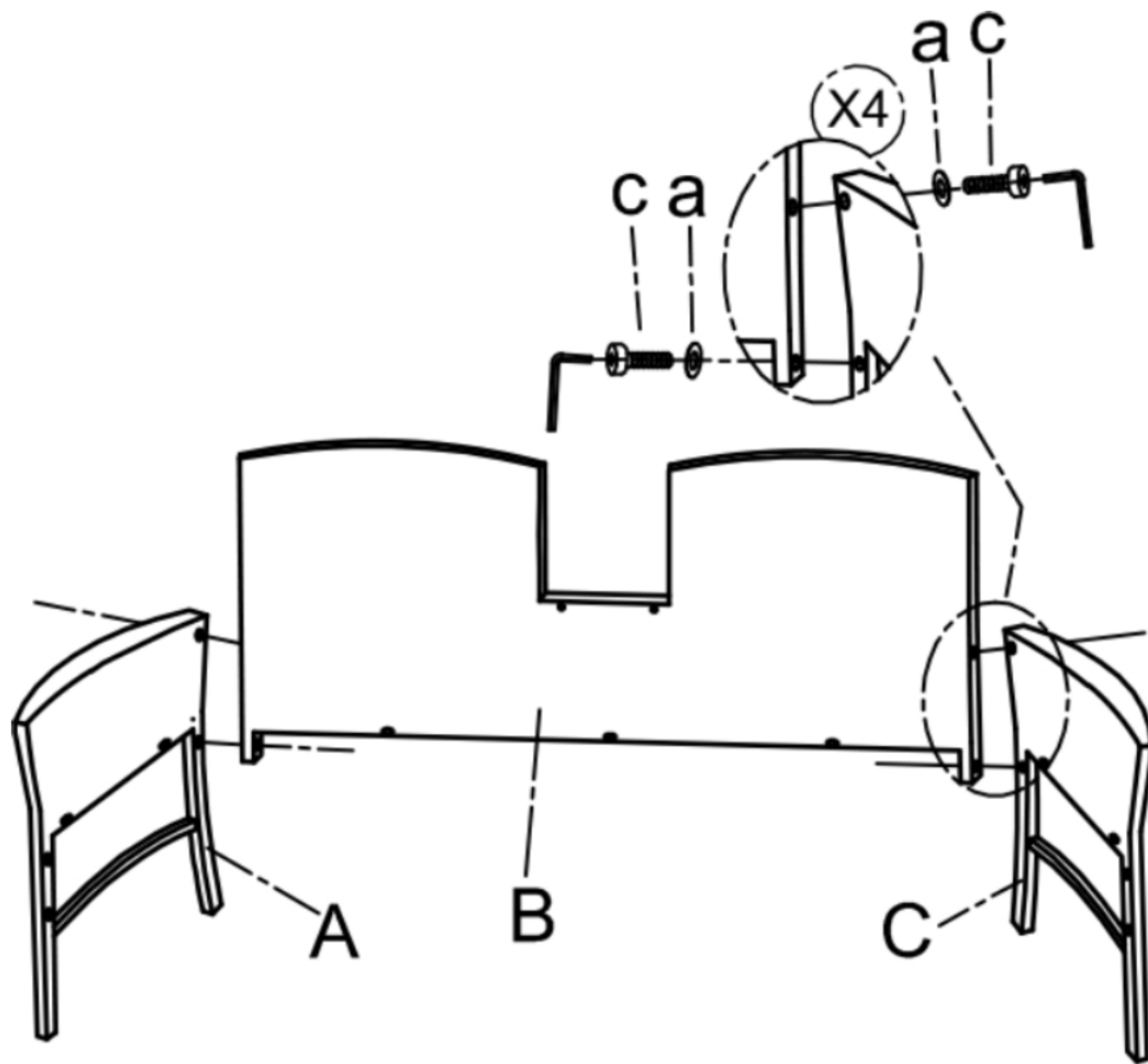
Allen Key  
1pc



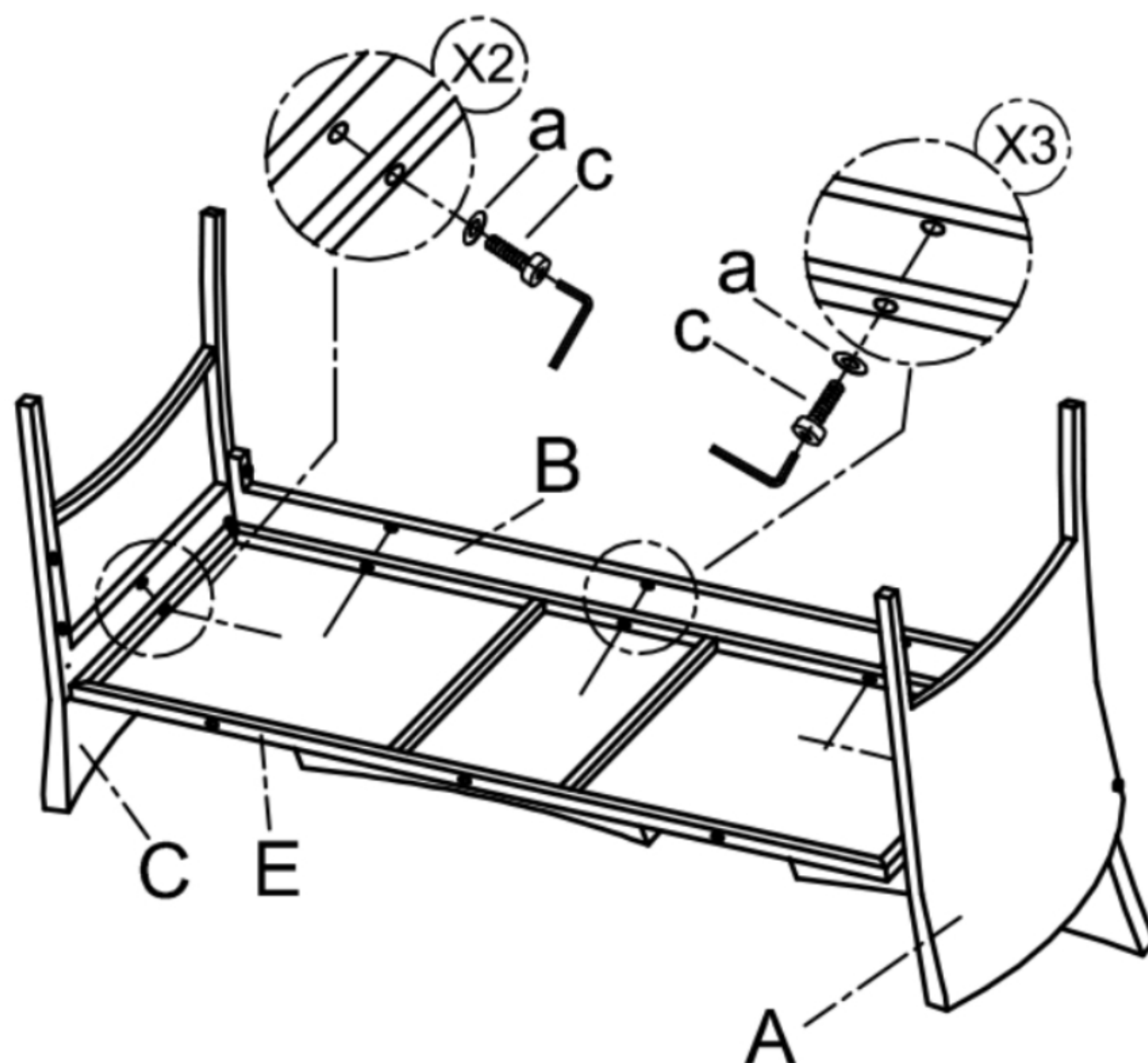
Spanner  
1pc

# Assembly Step for Lover Chairs

Step 1 ◀

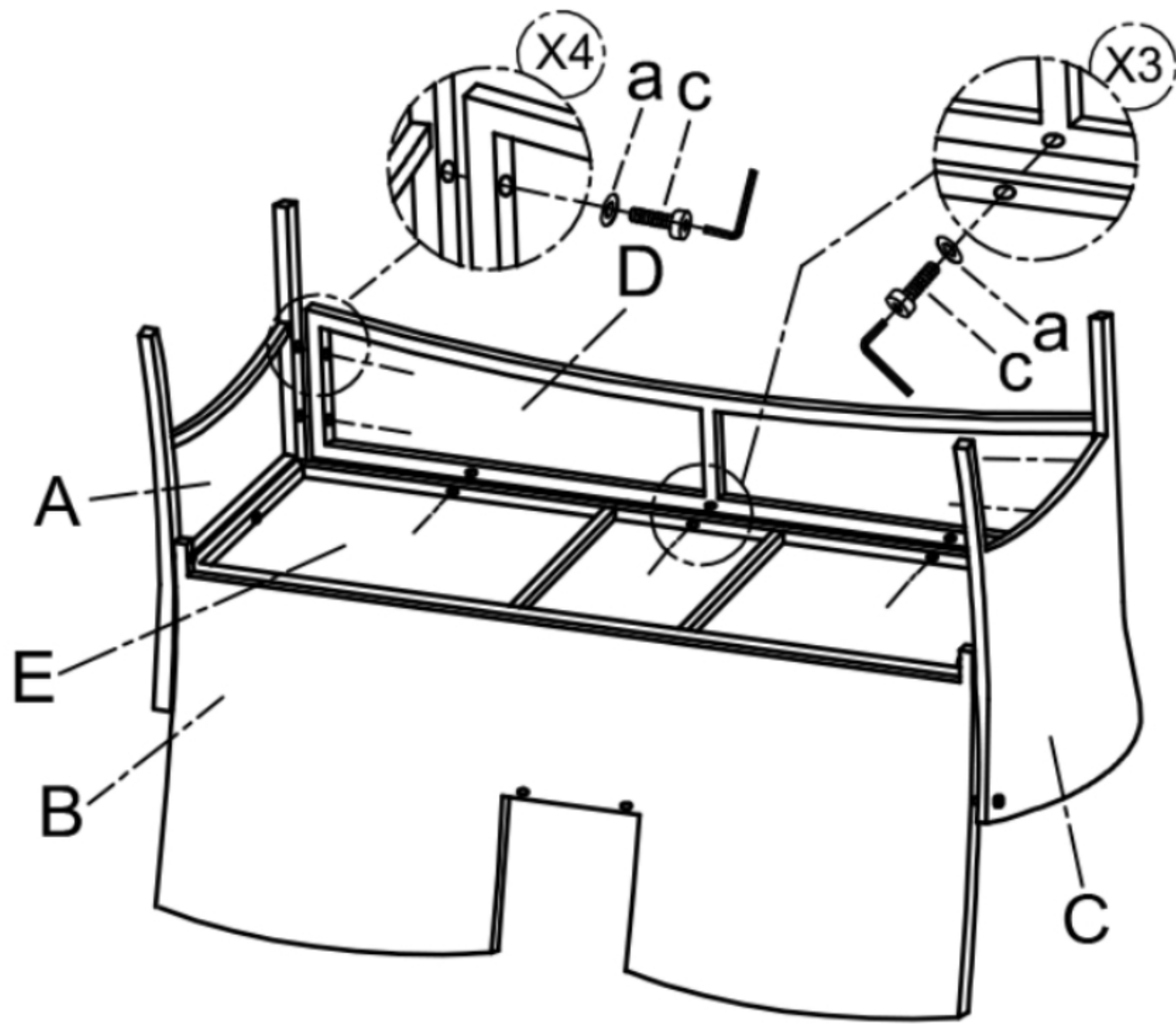


Step 2 ◀

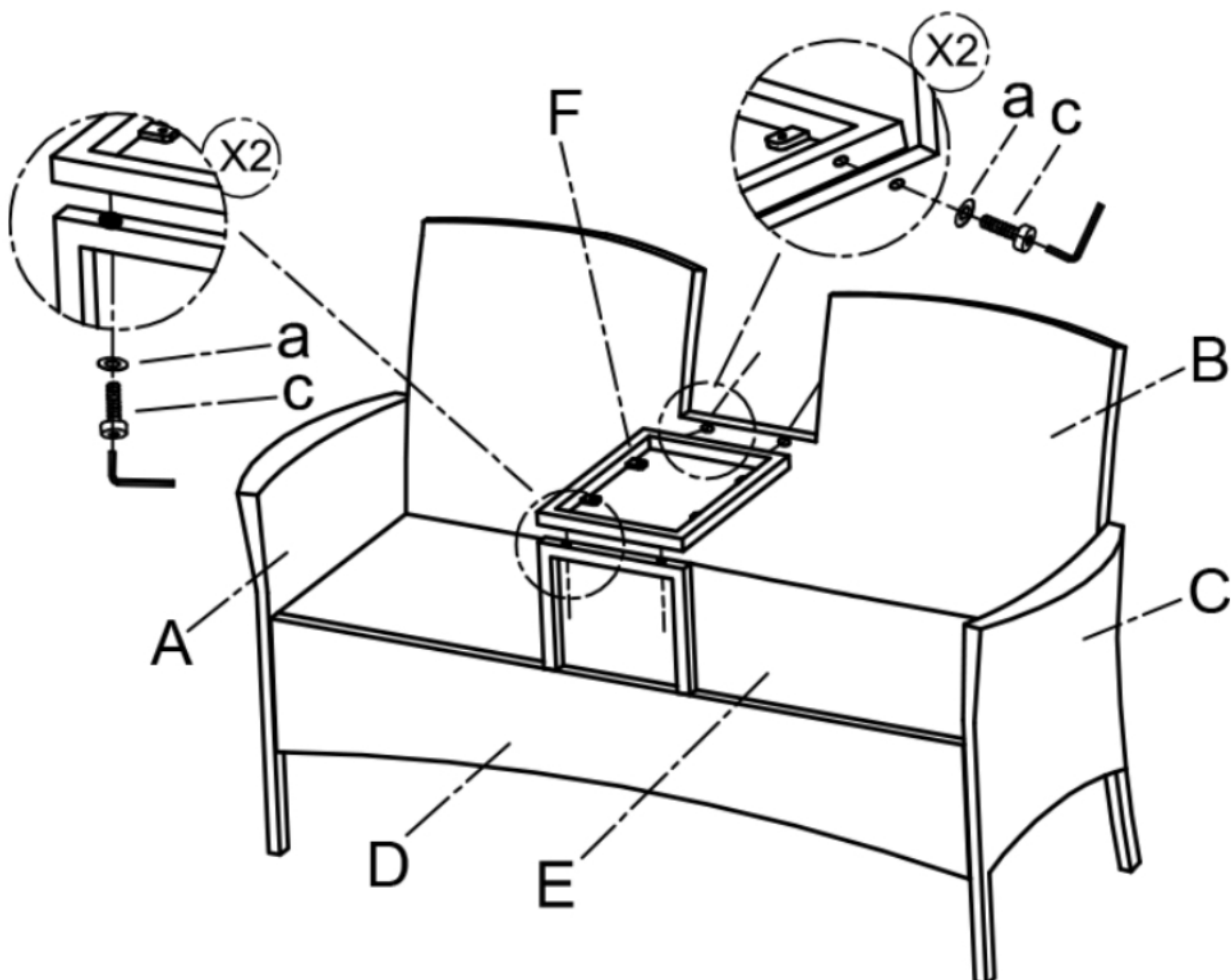


# Assembly Step for Lover Chairs

Step 3 ◀

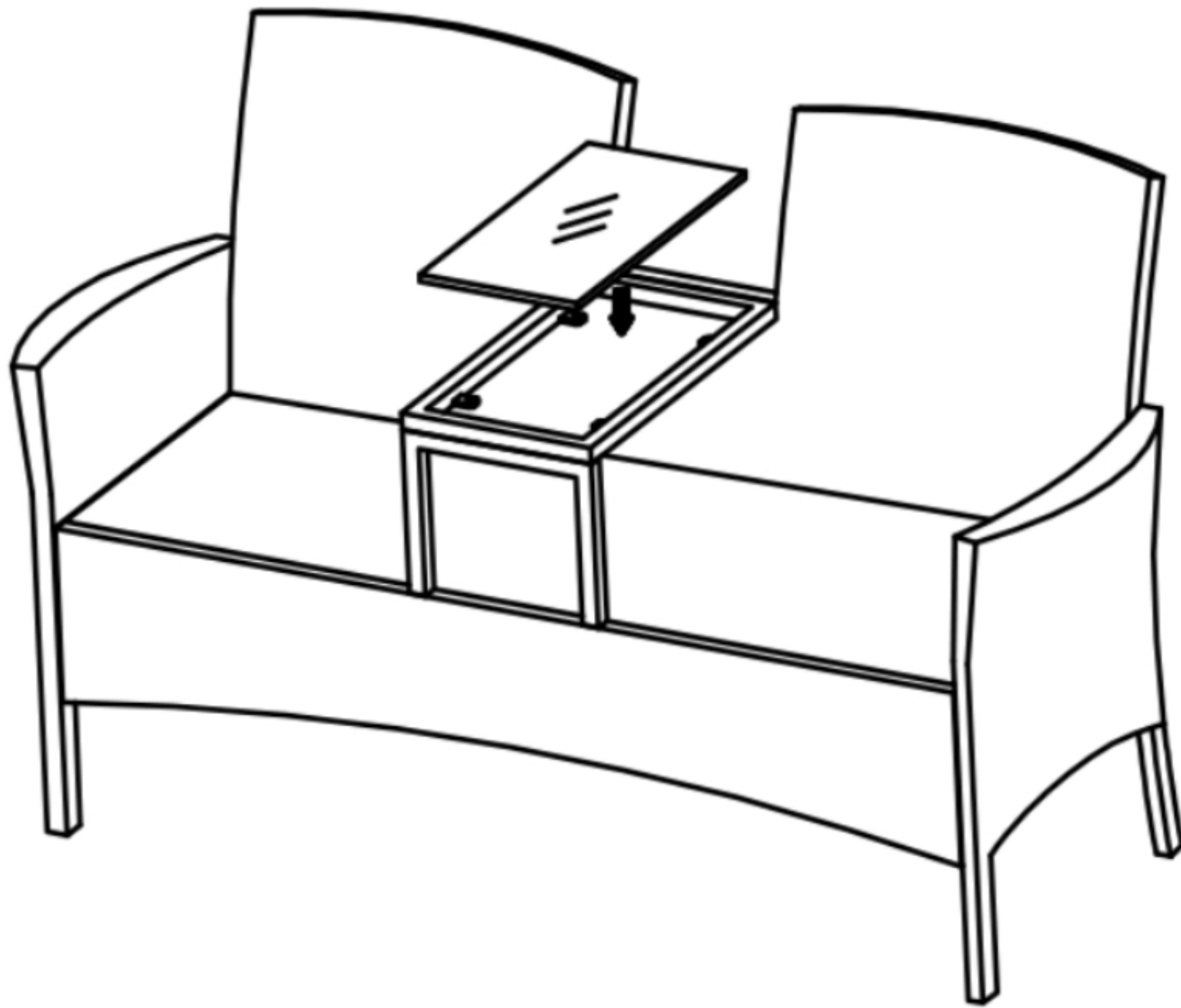


Step 4 ◀



# Assembly Step for Lover Chairs

Step 5 ◀



Step 6 ◀

