

Thank you very much for purchasing from us.

We have always been trying to provide the

best

service and reliable products for every

customer

We sincerely hope you will be satisfied with

our products

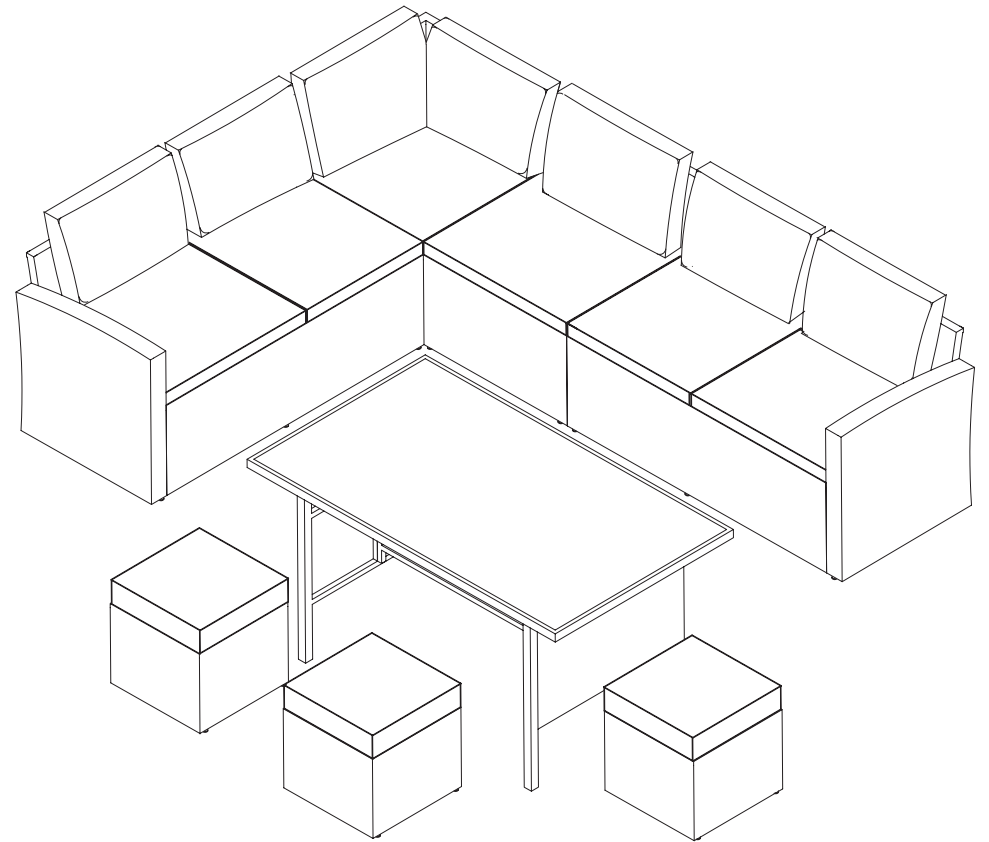
However, accident may happen sometimes,

please contact us to resolve any issue

before leaving a negative feedback.

Many thanks and welcome to our shop again!

INSTALLATION INSTRUCTIONS



IMPORTANT SAFEGUARDS



Read these instructions carefully and retain them for future use.

When using the product, basic safety precautions should always be followed to reduce the risk of injury including the following:

- Keep all hardware parts and packaging out of reach of kids.
- Choose a clean, level, spacious assembly area. Avoid hard surfaces that may damage the product.
- Do not over tighten the screws and bolts as this may damage the threads.
- When you have finished assembling the product, place it on a flat surface and make sure it is stable before use.
- Do not let children play with this product.

Cleaning and maintenance

Cleaning

- For everyday cleaning, chrome, brass, aluminum, and painted metal surfaces can be kept looking their best by wiping with a slightly damp, soft cotton cloth, or vacuum cleaner brush.
- If soiled, wipe with clean sponge or cloth wrung out of water. Wipe dry with cloth or paper towel to avoid water spots.
- Do not use any harsh abrasives or chemicals to clean any surfaces.

Maintenance

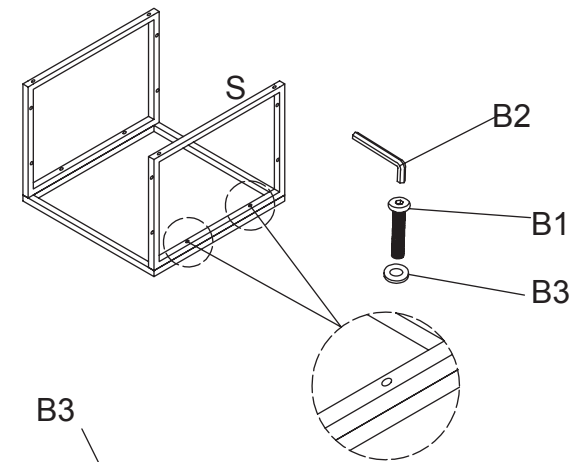
- Keep the product away from direct heat and sunlight.
- Prolonged exposure to heat sources may cause glazing, melting and scorching, or even cause color to fade.
- Regular vacuuming or light brushing helps to remove dirt and prevent soil build-up, which increases the appearance wear.
- Periodically (every 90 days) make sure that the screws are fully tightened.

Before First Use

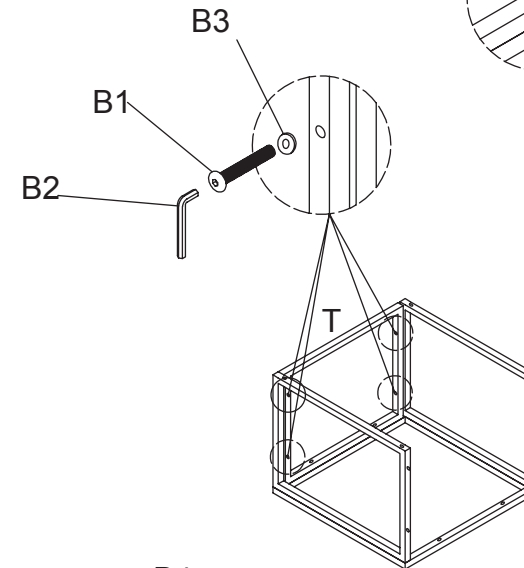
- check for transport damages.
- the estimated assembly time for this set of furniture is 2 hours.

⚠ DANGER Risk of suffocation! Keep any packaging materials from children- these materials are a potential source of danger, e.g. suffocation.

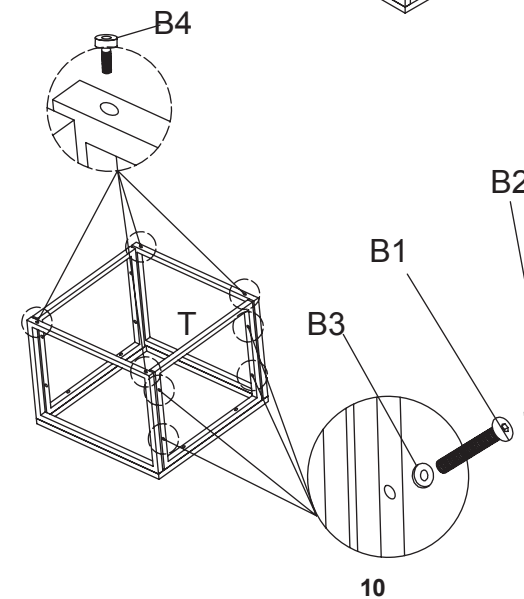
Step 2:



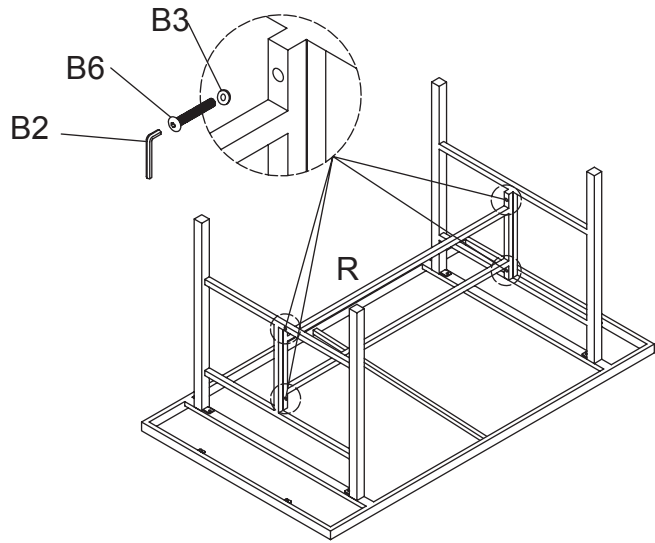
Step 3:



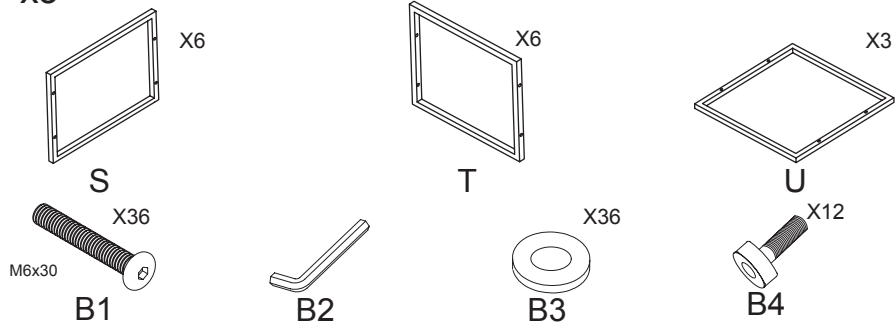
Step 4:



Step 3:



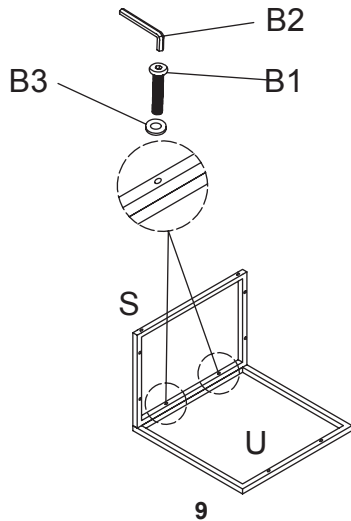
Stool x3



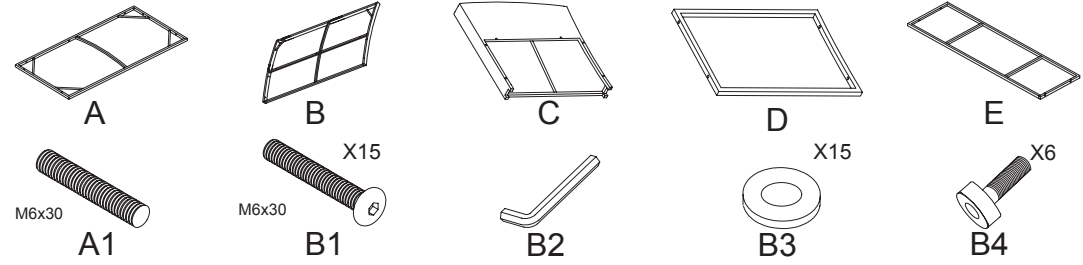
Assemble

⚠ Do not over tighten the screws until assembly is complete.

Step 1:



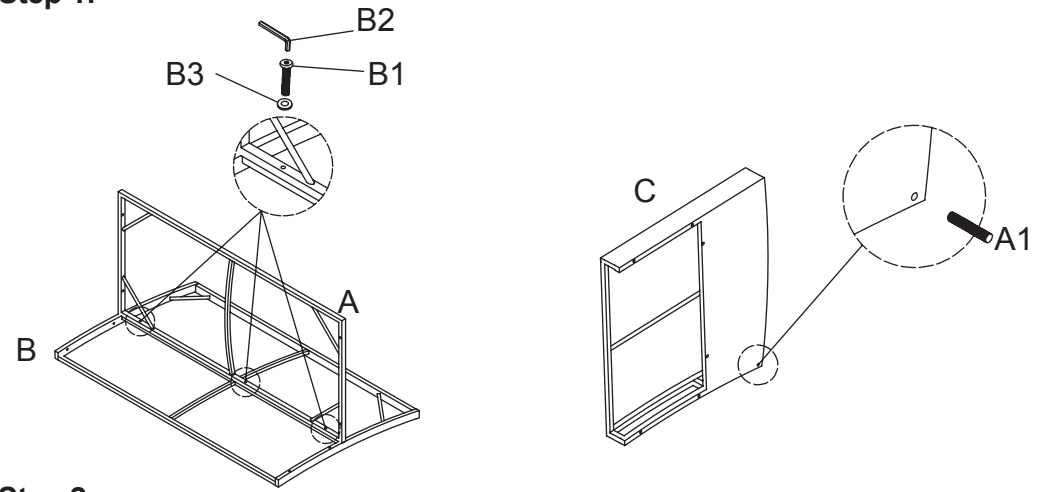
Right Sofa



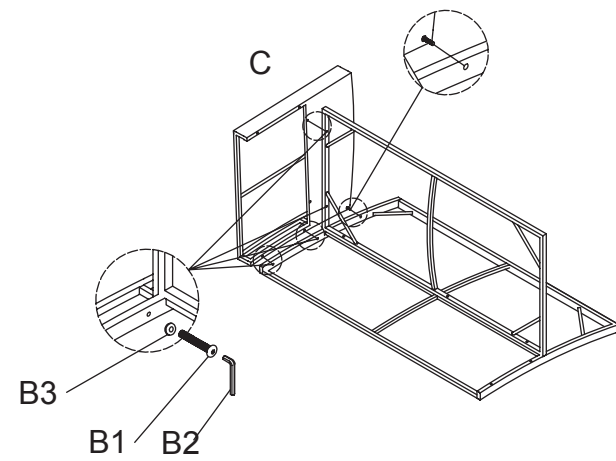
Assemble

⚠ Do not over tighten the screws until assembly is complete.

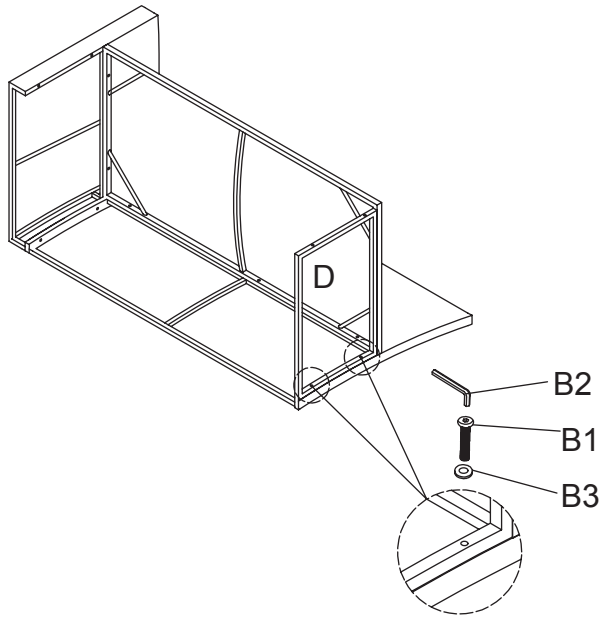
Step 1:



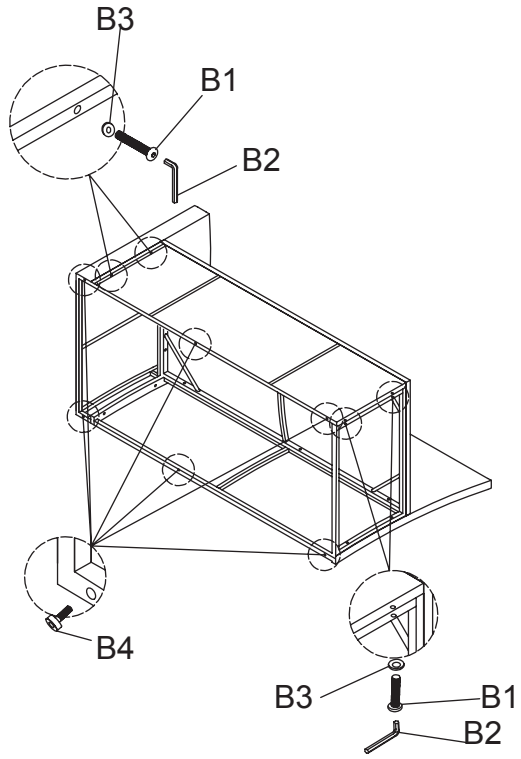
Step 2:



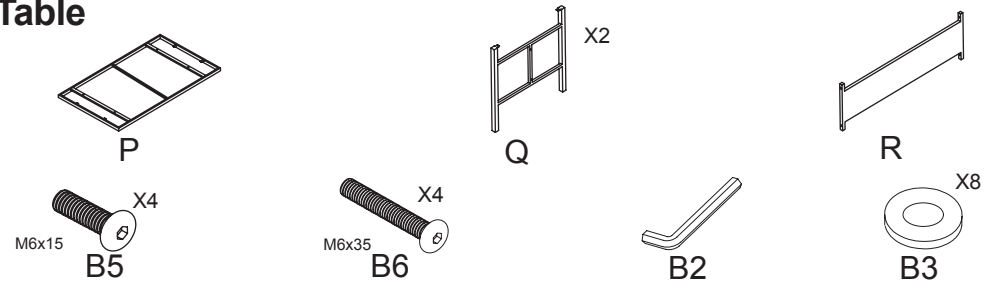
Step 3:



Step 4:



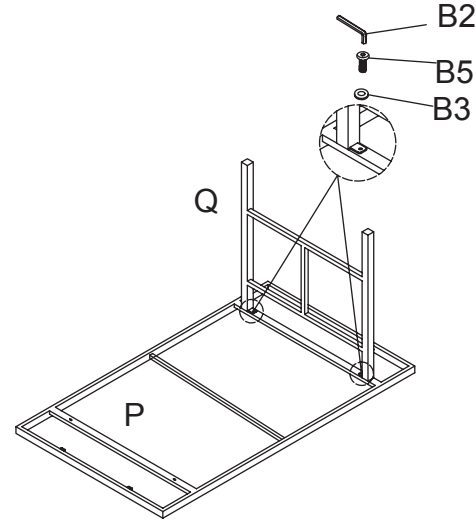
Table



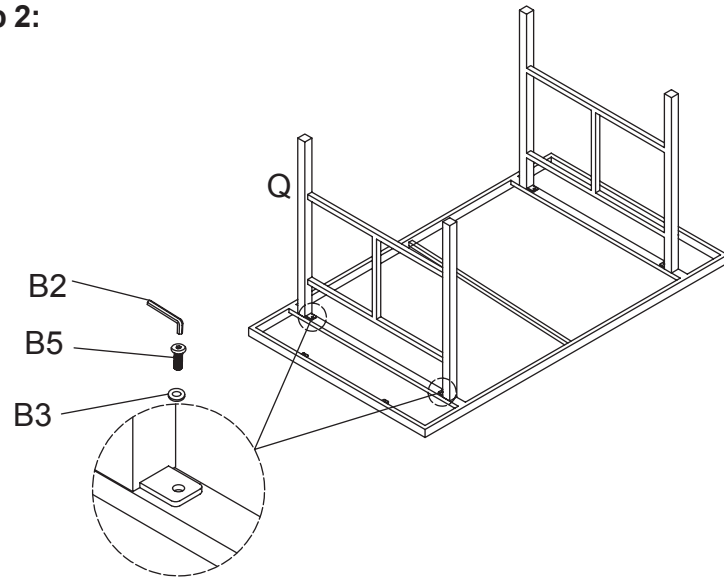
Assemble

⚠ Do not over tighten the screws until assembly is complete.

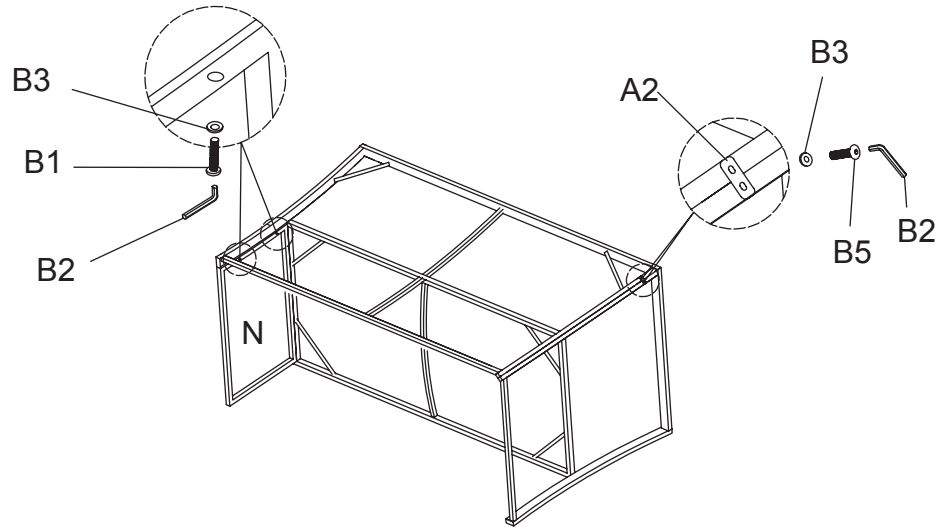
Step 1:



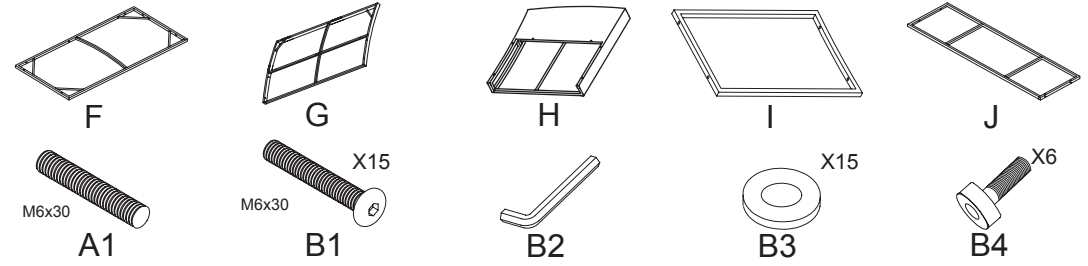
Step 2:



Step 3:



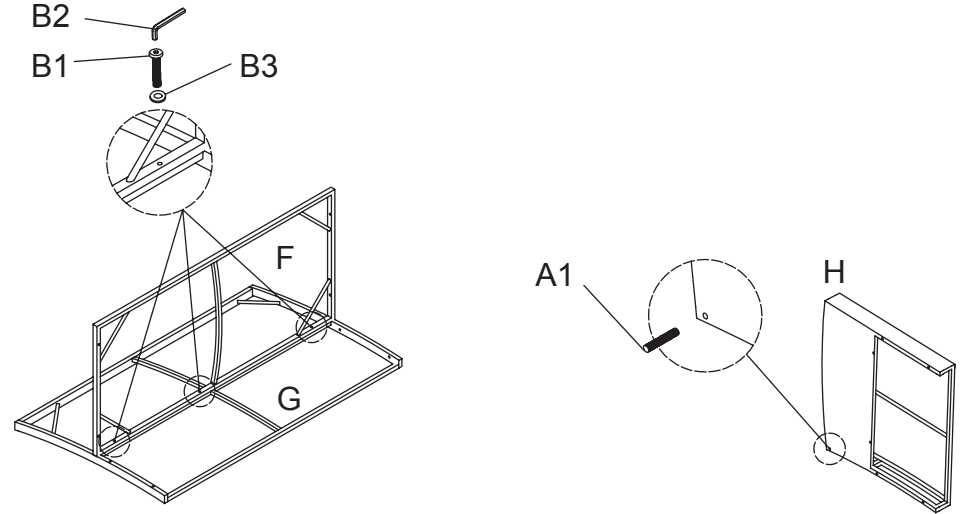
Left Sofa



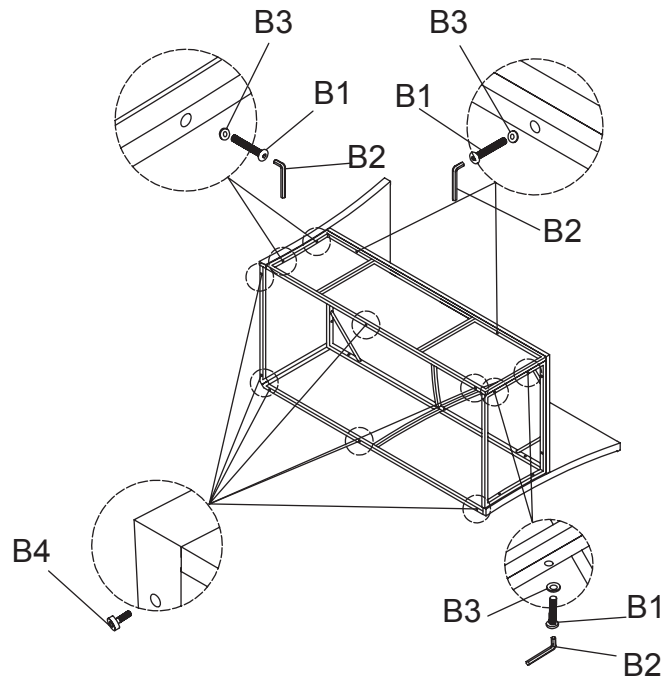
Assemble

⚠ Do not over tighten the screws until assembly is complete.

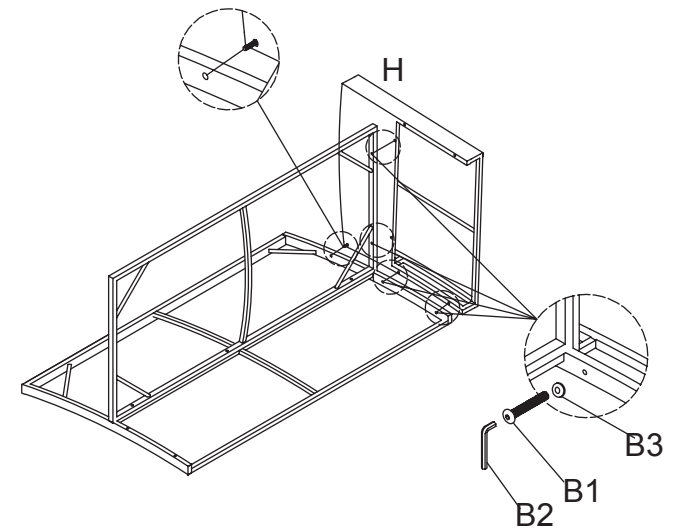
Step 1:



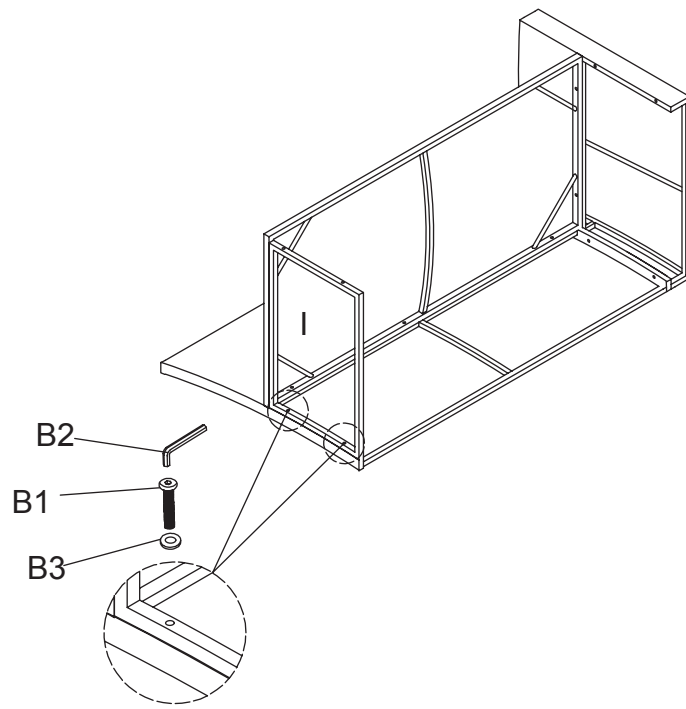
Step 4:



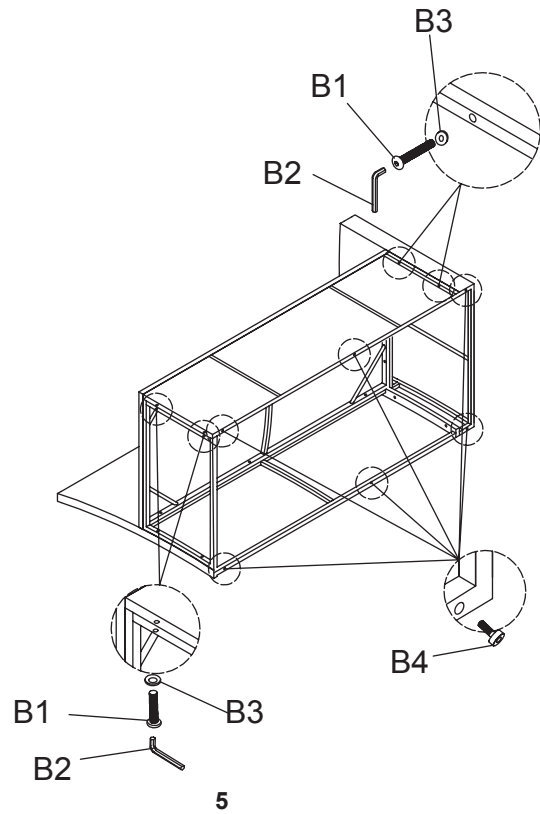
Step 2:



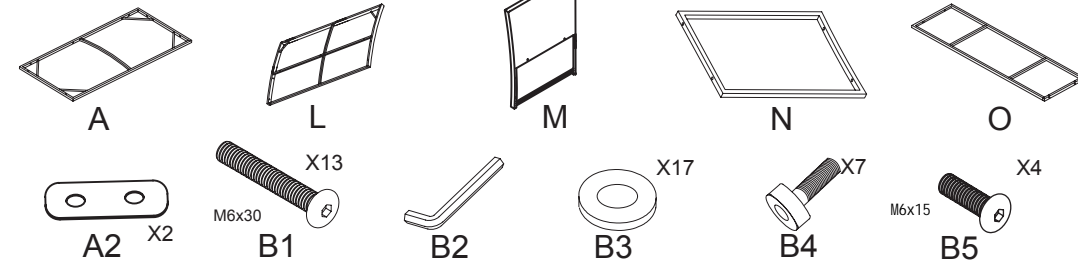
Step 3:



Step 4:



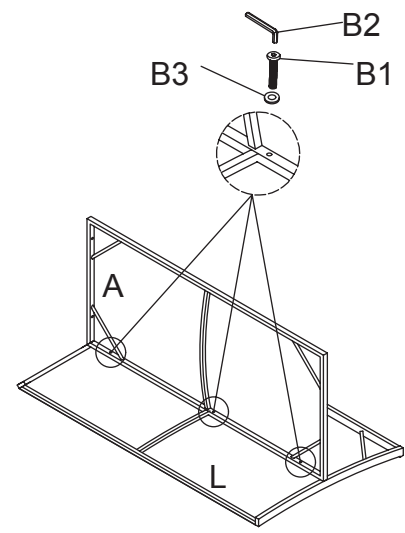
Corner Sofa



Assemble

⚠ Do not over tighten the screws until assembly is complete.

Step 1:



Step 2:

