

OUTDOOR CHAISE LOUNGE 3 PCS SET

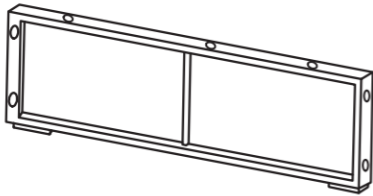


IMPORTANCE

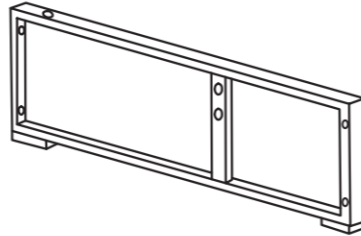
1. Please DO NOT fix screws tightly until all screws and holes have been connected successfully.
2. Thread the screws a little bit first, leave them loose until ALL screws are in, and then tighten them all.
3. Please contact us and attach part images and SKU numbers if there is any trouble with assembly or missing or damaged parts.
4. Don't expose cushions in the BURNING sun for a long time, please cover the set or put cushions in door during rainy or snowy days.
5. Please DO NOT discard packing boxes before all parts are assembled successfully.
6. DO NOT touch the glass with bare hands if the glass is broken during the express shipping.

Thank you!

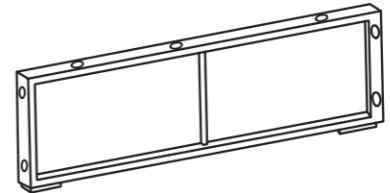
Parts List of Chaise Lounge



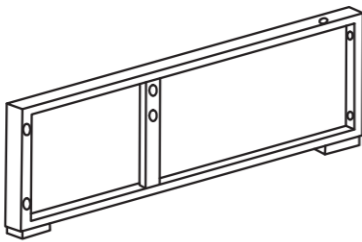
A 1pc



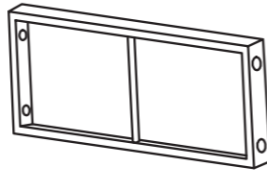
B 1pc



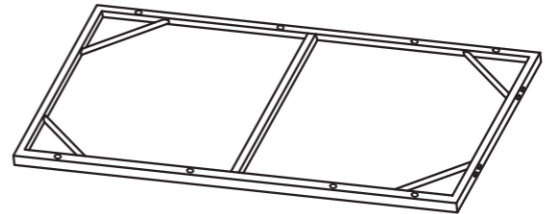
C 1pc



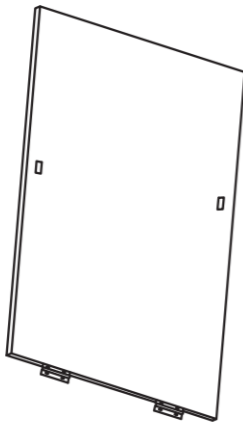
D 1pc



E 2pcs



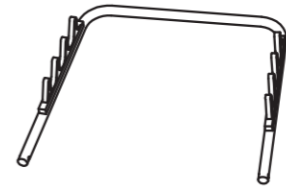
P 1pc



K 1pc



H 1pc



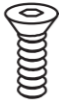
I 1pc



Q



T₂



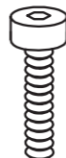
M



L



W₂



V₂



X₂



M4 AllenKey
1 pc



M6 AllenKey
1 pc



Spanner
1 pc

Ø6
30*2pcs

Ø6
4*2pcs

M4*15mm
4*2pcs

M6*15mm
4*2pcs

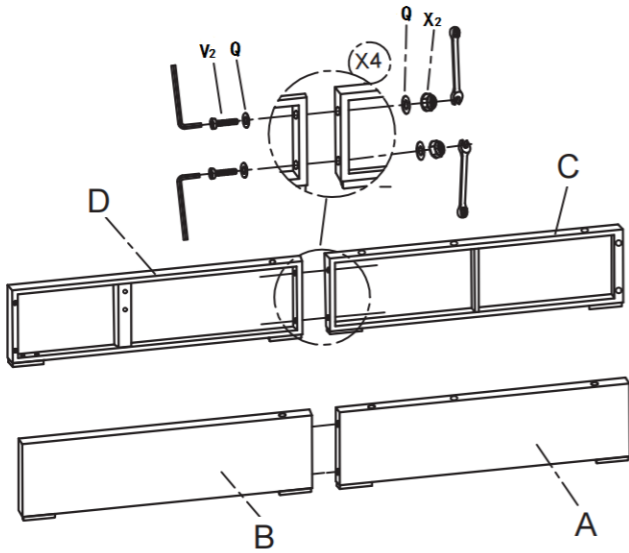
M6*35mm
18*2pcs

M6*55mm
4*2pcs

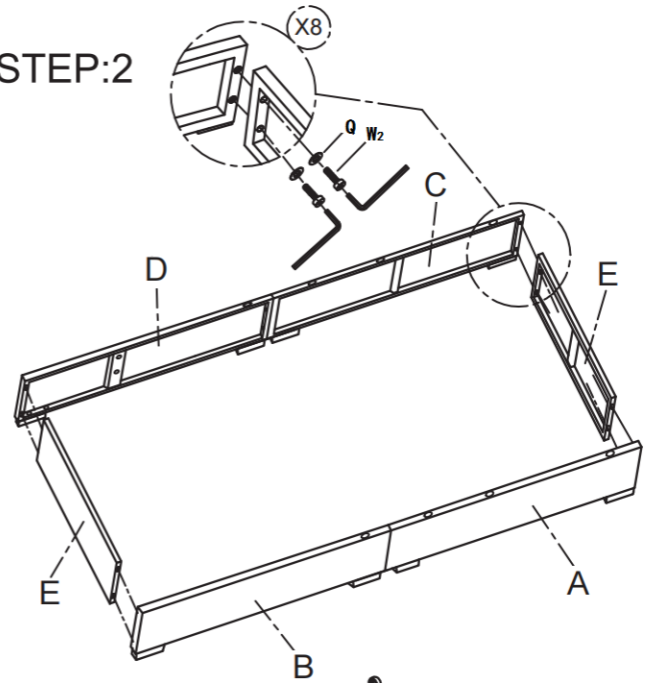
M6
6*2pcs

Assembly Steps for Chaise Lounge

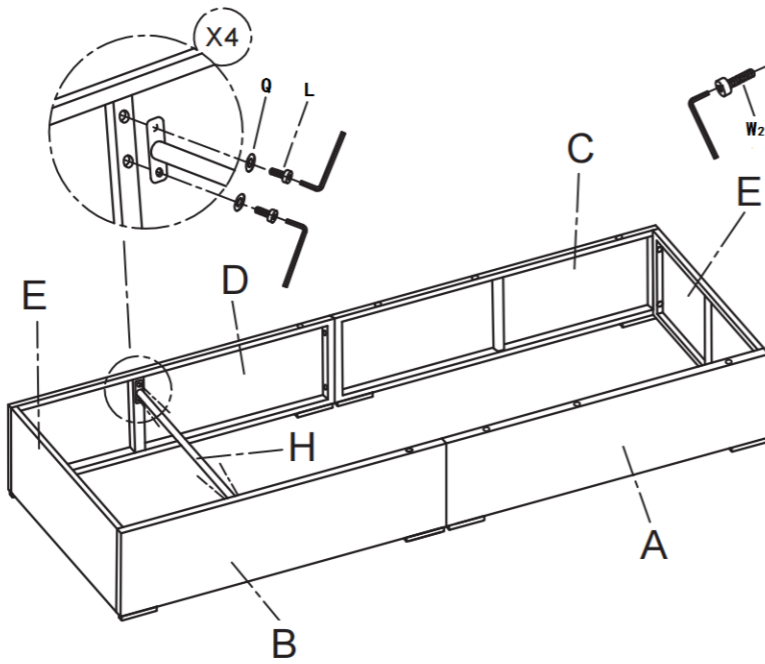
STEP:1



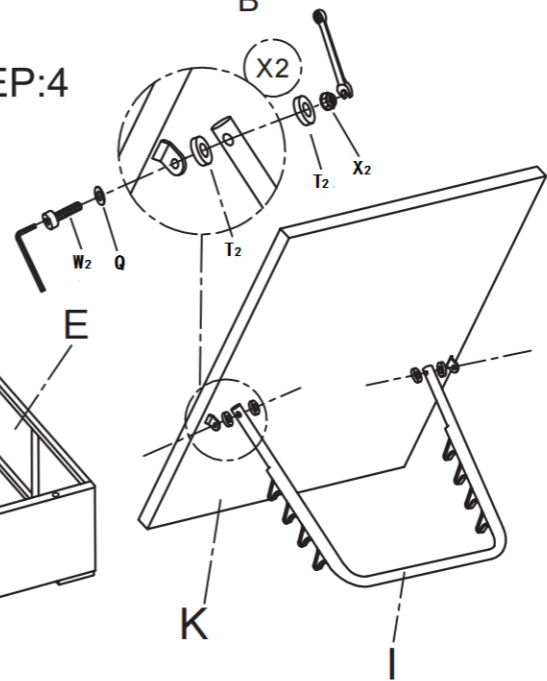
STEP:2



STEP:3

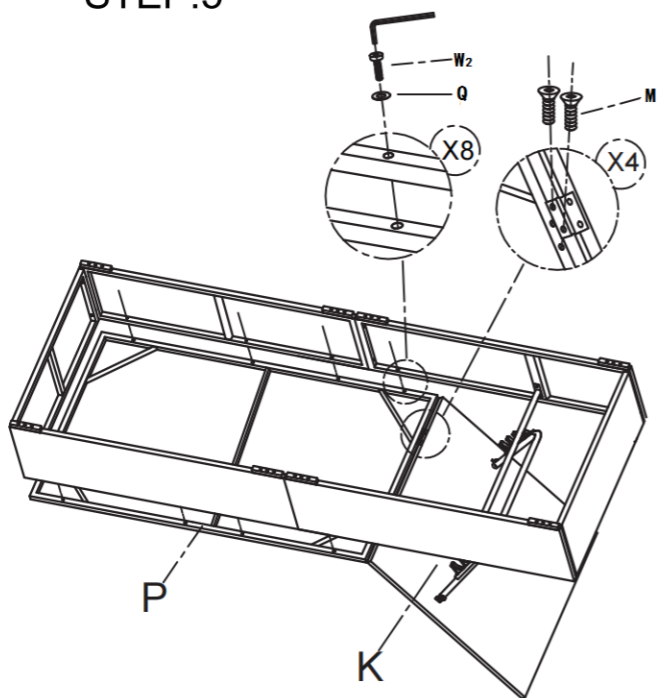


STEP:4

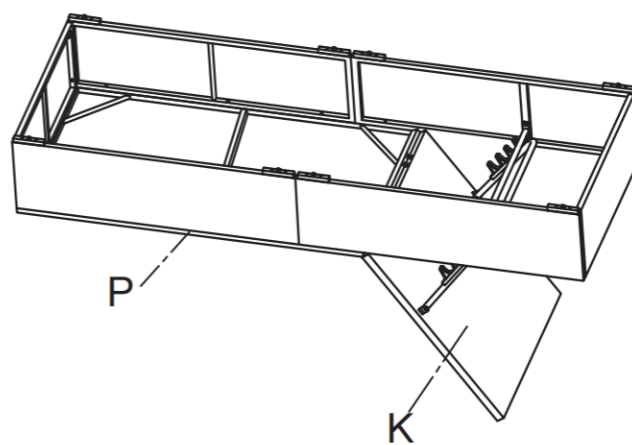


Assembly Steps for Chaise Lounge

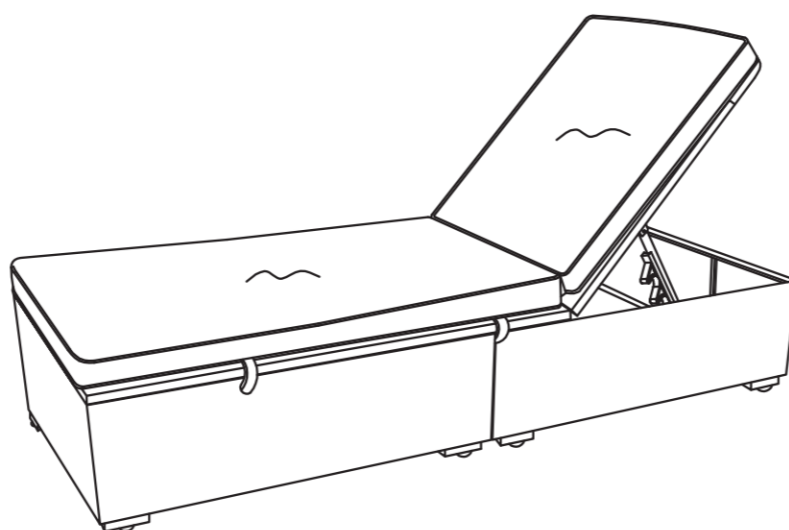
STEP:5



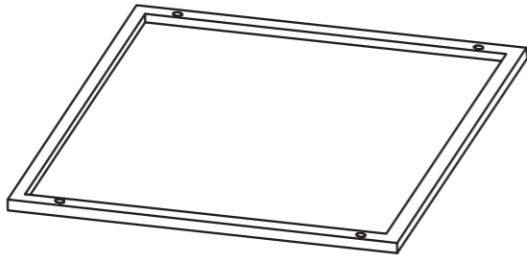
STEP:6



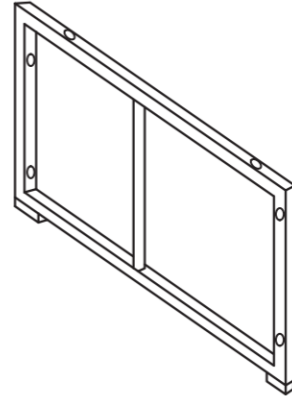
STEP:7



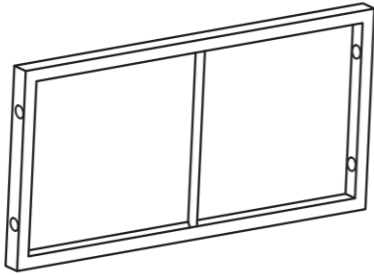
Parts List of Coffee Table



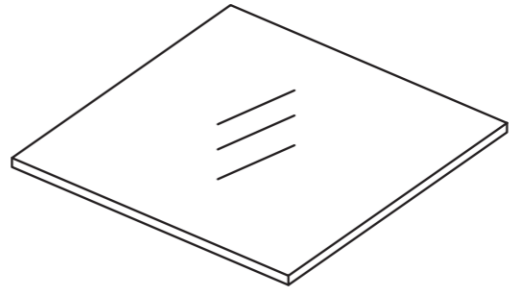
G 1pc
(Coffe Table Top)



Z² 2pcs
(Side Leg w/Feet)



K² 2pcs
(Side Panel)



1pc
(Glass)



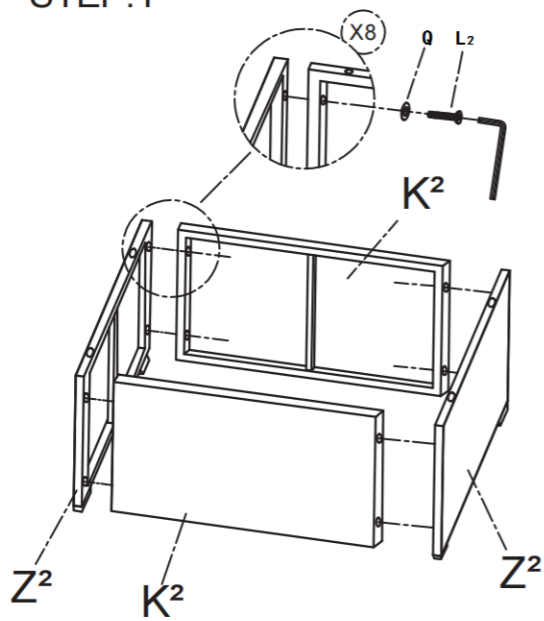
q
Ø6
12pcs



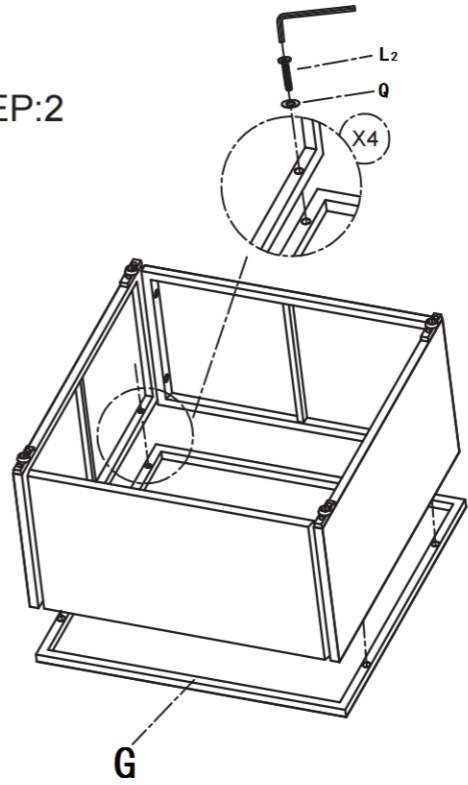
L₂
M6*30mm
12pcs

Assembly Steps for Coffee Table

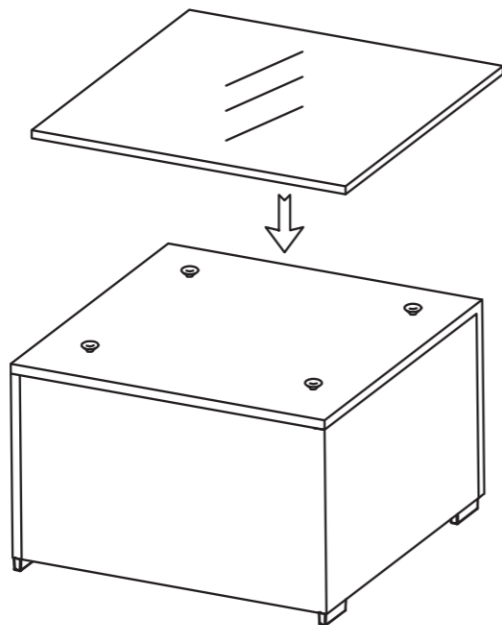
STEP:1



STEP:2



STEP:3



STEP:4

