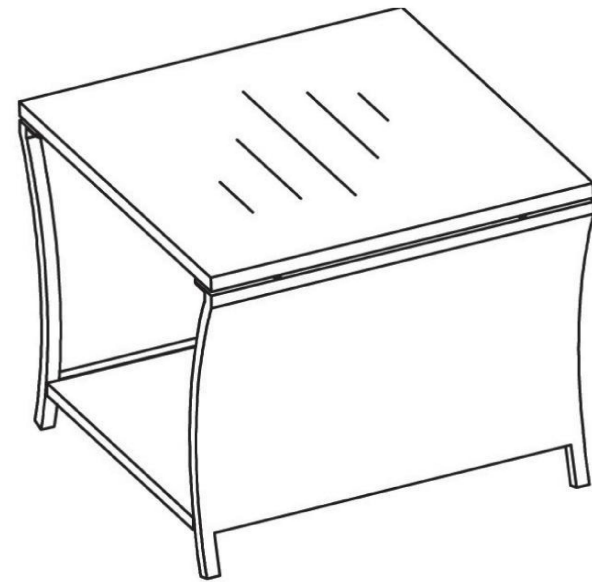


Thank you very much for  
purchasing from us.

We have always strived to provide  
the best service and reliable products  
for every customer. Many thanks and  
we warmly welcome you to shop  
at our store again.



## INSTALLATION INSTRUCTIONS



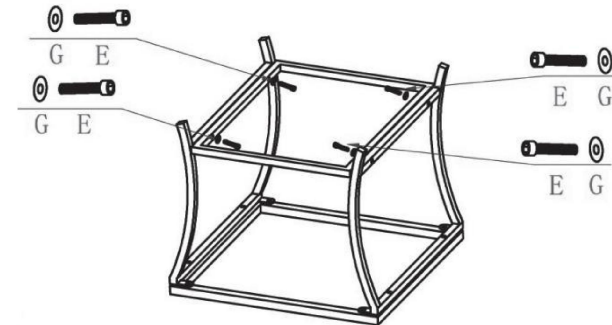
## ◆ ATTENTION ◆

During assembly please don't fully tighten each screw until all of the screws are in place. Once you have them all loosely tightened and in place, fully tighten the one by one.

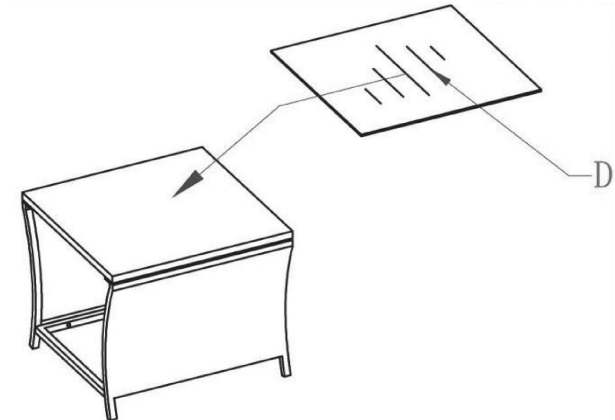
Also please be very careful with the glass top and put aside until everything is assembled.

We strongly recommend that you cover your end table on days of extreme weather. This will help to extend the lifetime of the rattan and prevent moisture from seeping in.

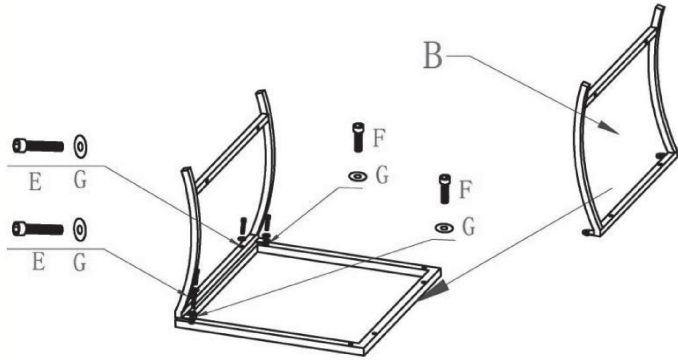
### Step 4



### Step 5



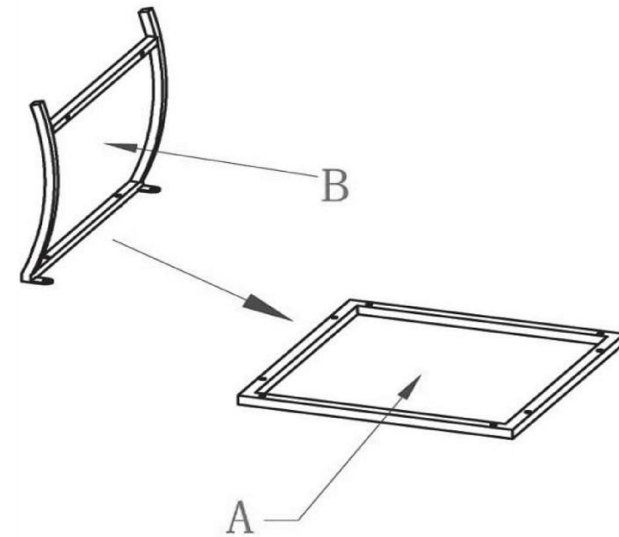
## Step 2



# PARTS LIST

<b>A</b> Tea table panel	<b>B</b> Tea table foot slice	<b>C</b> Tea table soleplate	<b>D</b> Glass
<b>E</b> Screw M6*30mm	<b>F</b> Screw M6*16mm	<b>G</b> Shim 6*12*1.2	<b>H</b> Hexagonal Allen Wrench

## Step 1



## Step 3

