

INSTRUCTION MANUAL

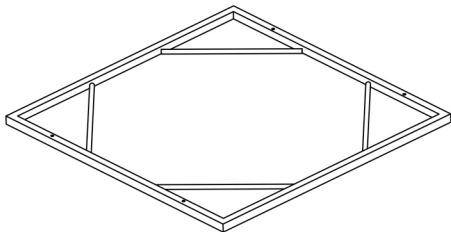


IMPORTANCE

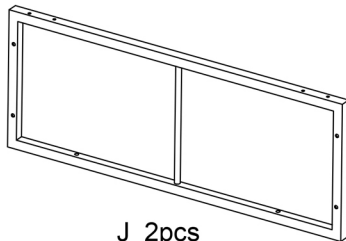
- ▶ 1. Please DO NOT fix screws tightly until all screws and holes have been connected successfully.
- ▶ 2. Thread the screws a little bit first, leave them loose until ALL screws are in, and then tighten them all.
- ▶ 3. Please email us with PICTURES of parts and SKU# info. on box marks if there is any trouble with assembly or missing or damaged parts.
- ▶ 4. Don't expose cushions (if have) in the BURNING sun for a long time, please cover the set or put cushions indoor during rainy or snowy days.
- ▶ 5. Please DO NOT discard packing boxes before all parts are assembled successfully.
- ▶ 6. DO NOT touch the glass (if have) with bare hands if the glass is broken during shipping.

Thank you!

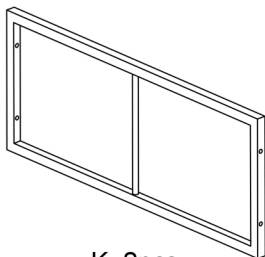
Parts List of Coffee Table



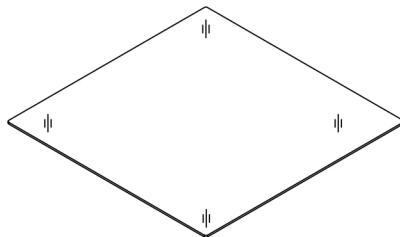
L 1PC
(Coffee Table Top)



J 2pcs
(Side Leg w/Feet)



K 2pcs
(Side Panel)



1pc
(Glass)



a
Ø6
20pcs



b
M6*35mm
12pcs



c
M6*40mm
8pcs



d
M6
8pcs



f
Straight
4pcs



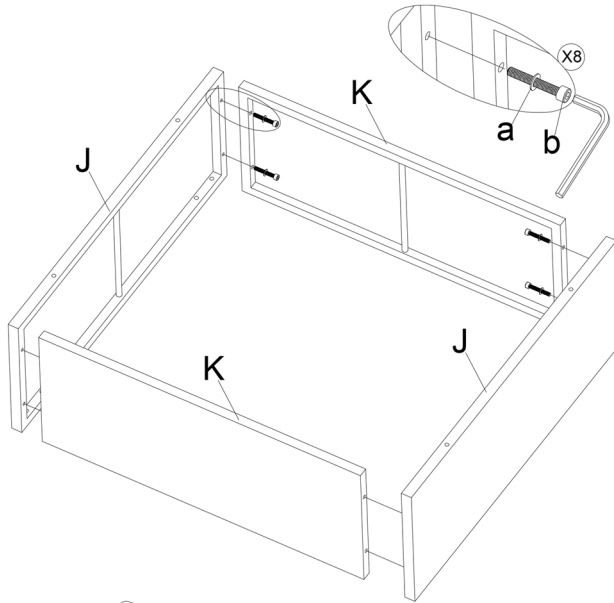
Allen key
1pc



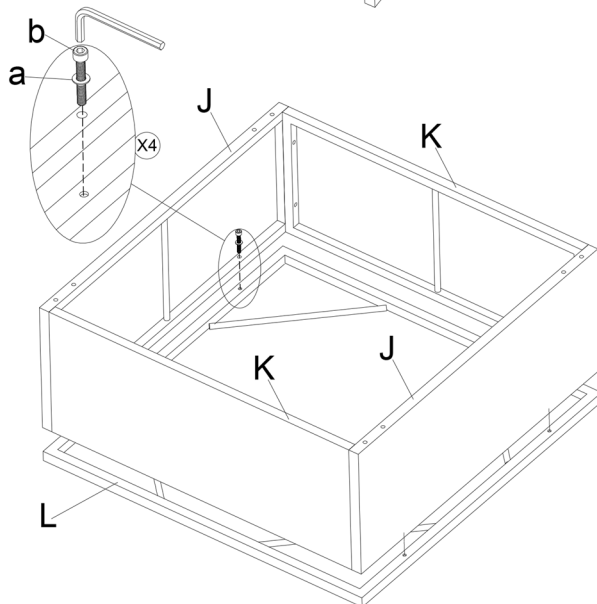
Spanner
1pc

Assembly Step

Step 1 ◀

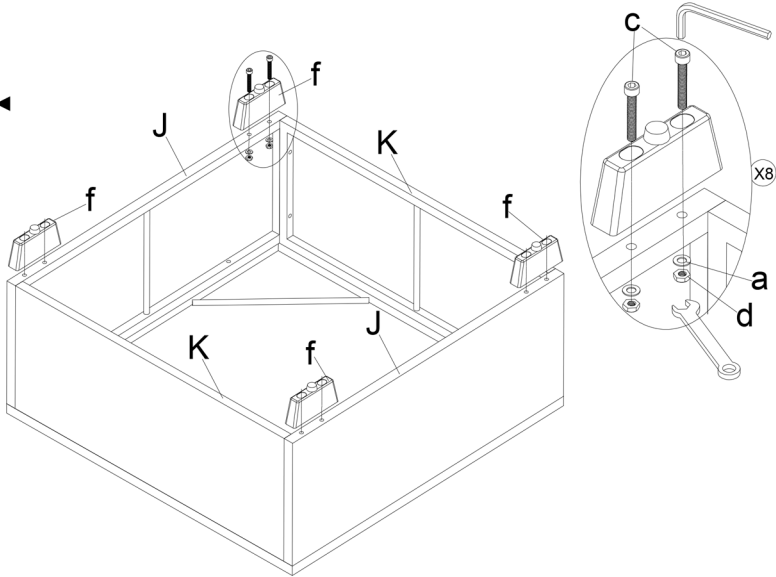


Step 2 ◀

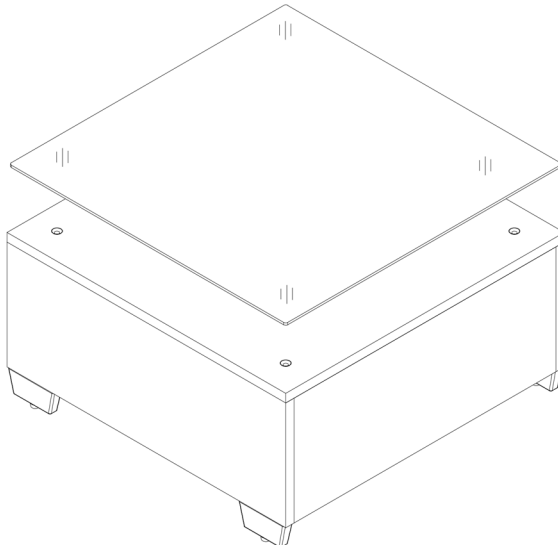


Assembly Step

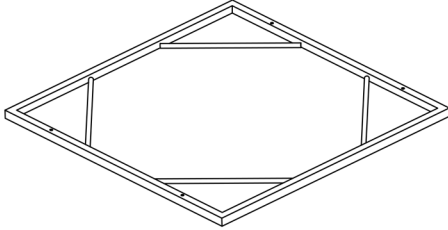
Step 3 ◀



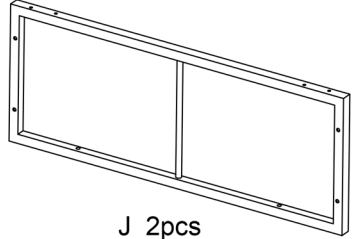
Step 4 ◀



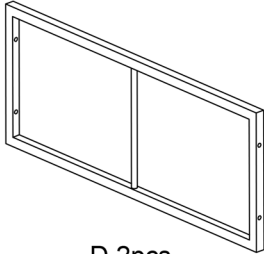
Parts List of Ottoman



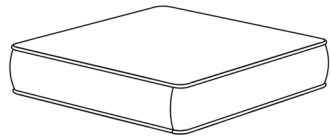
M 1PC
(Ottoman Top)



J 2pcs
(Side Leg w/Feet)



D 2pcs
(Side Panel)



(Cushion)



a
Ø6
20pcs



b
M6*35mm
12pcs



c
M6*40mm
8pcs



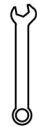
d
M6
8pcs



f
Straight
4pcs



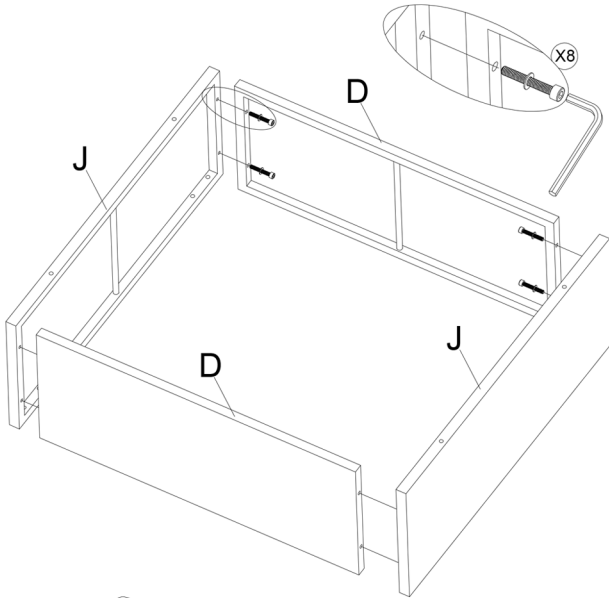
Allen key
1pc



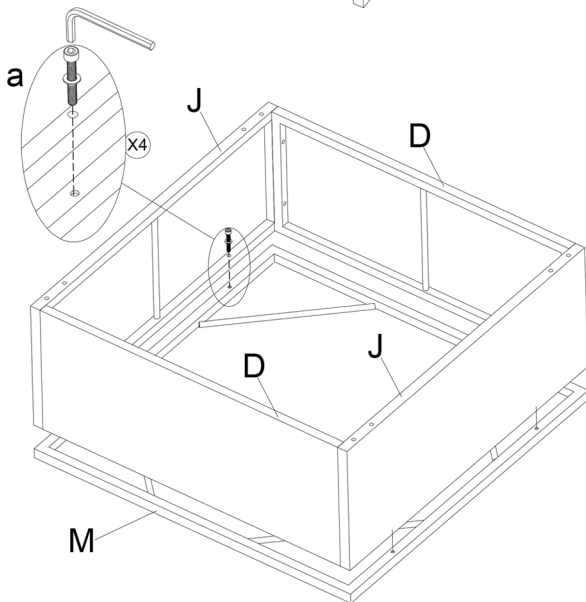
Spanner
1pc

Assembly Step

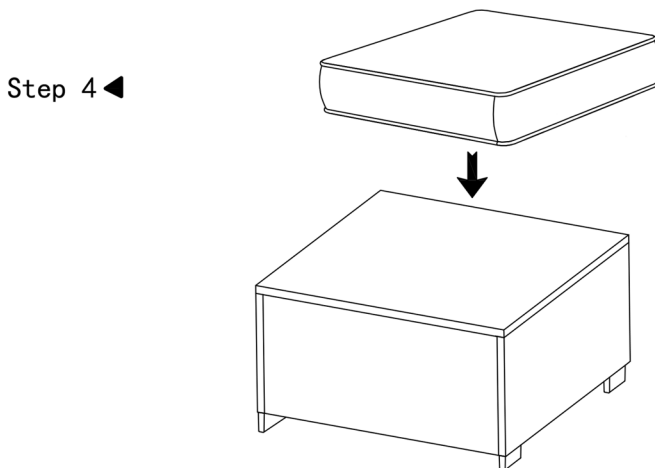
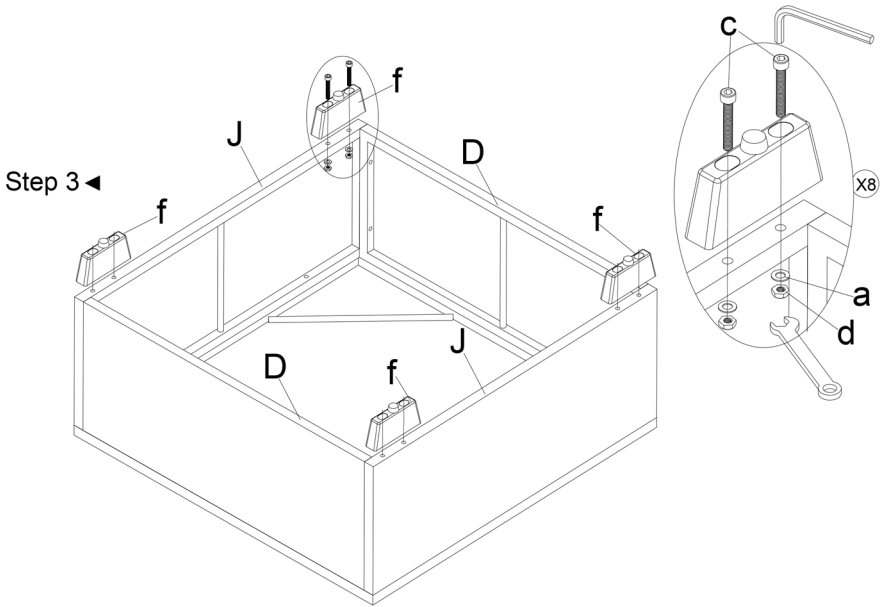
Step 1 ◀



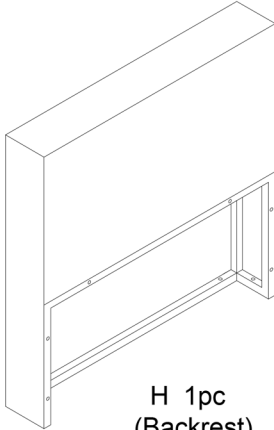
Step 2 ◀



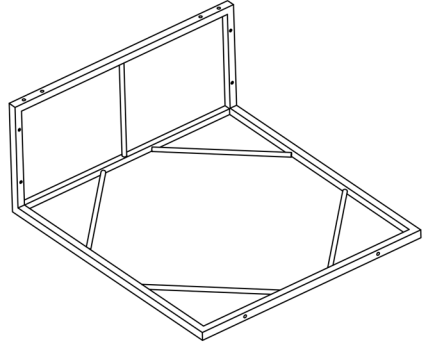
Assembly Step



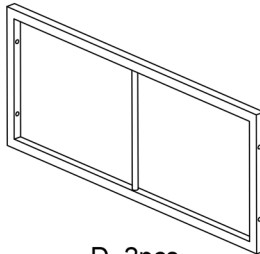
Parts List of Middle Chair



H 1pc
(Backrest)



I 1pc
(Seat Panel)

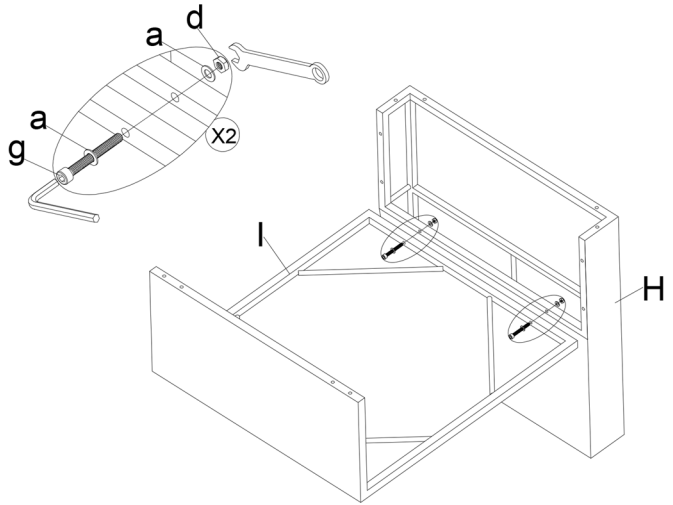


D 2pcs
(Side Panel)

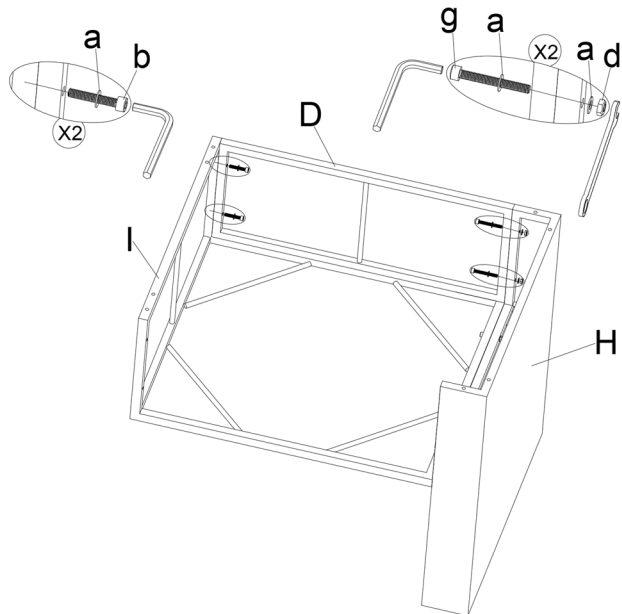
- | | | | | | | | | |
|-------------|-----------------|-----------------|-----------------|-------------|----------------|------------------|-----------|---------|
| | | | | | | | | |
| a | b | c | g | d | e | f | Allen key | Spanner |
| Ø6
24pcs | M6*35mm
4pcs | M6*40mm
8pcs | M6*50mm
6pcs | M6
14pcs | Corner
2pcs | Straight
2pcs | 1pc | 1pc |

Assembly Step

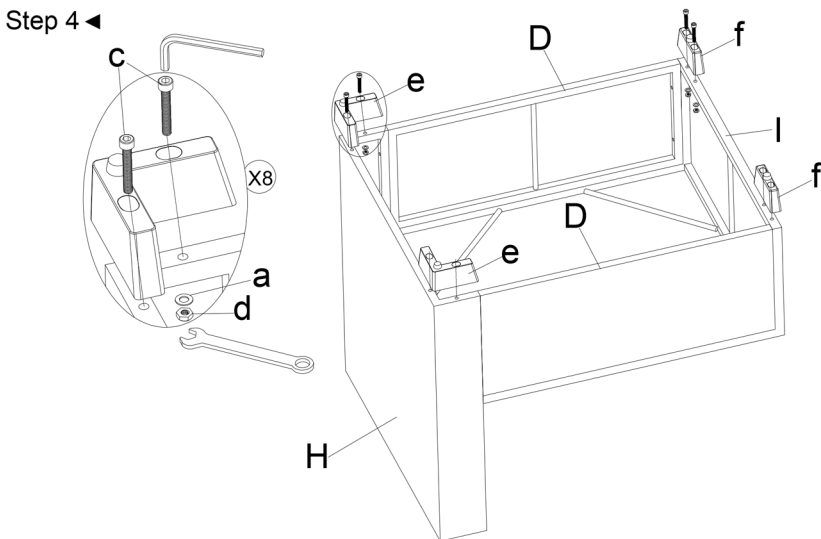
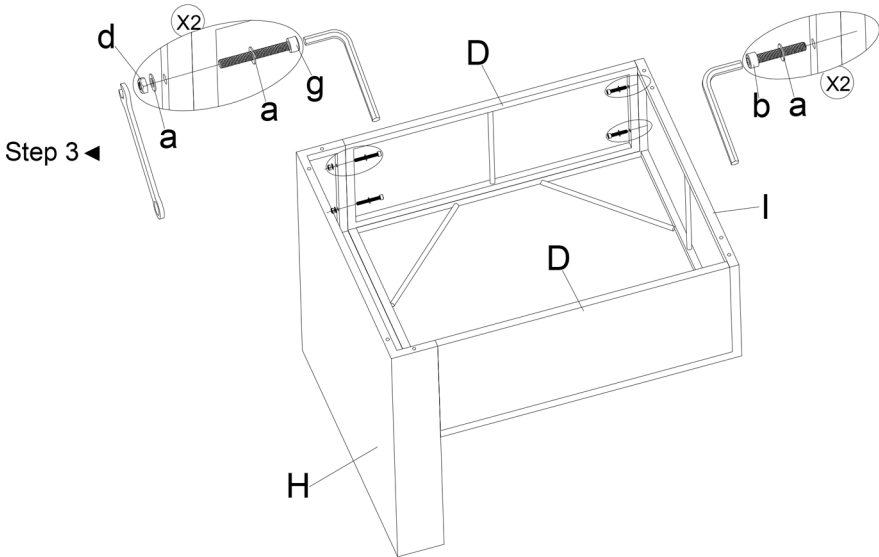
Step 1 ◀



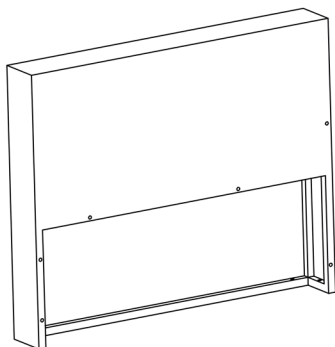
Step 2 ◀



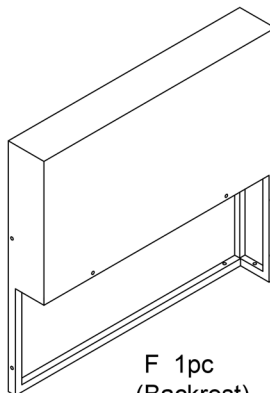
Assembly Step



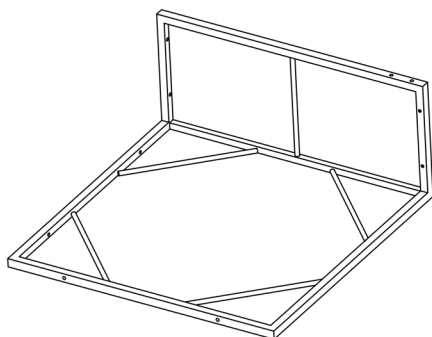
Parts List of Right Corner Chair



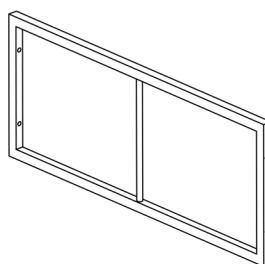
E 1pc
(Armrest)



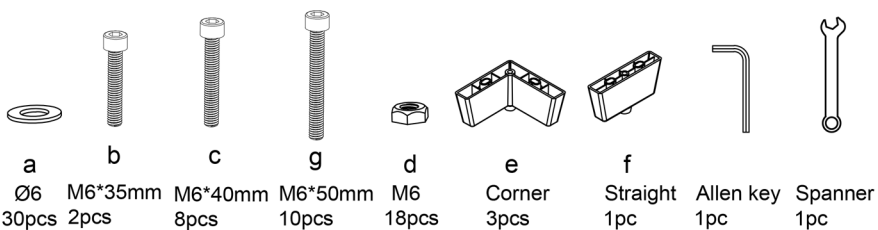
F 1pc
(Backrest)



G 1pc
(Seat Panel)

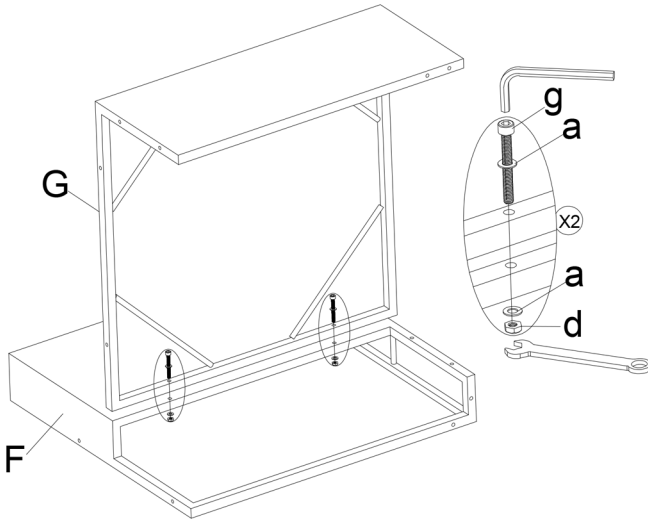


D 1pc
(Side Panel)

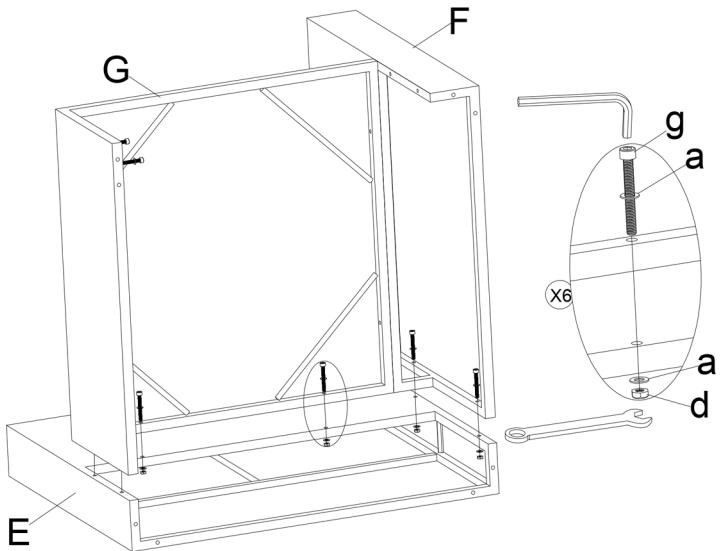


Assembly Step

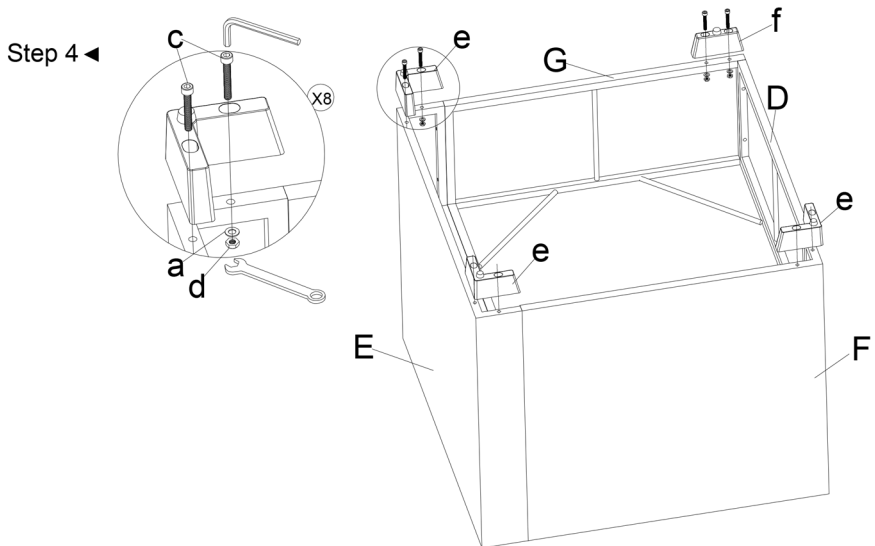
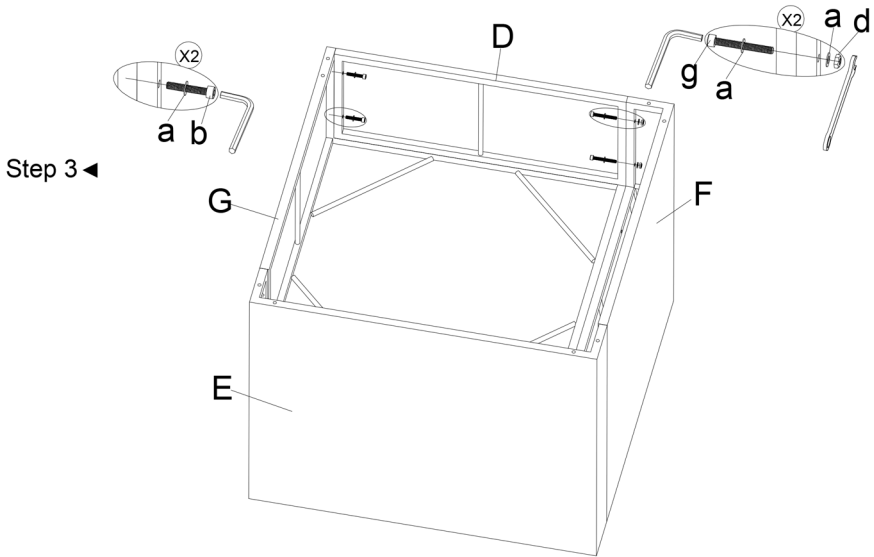
Step 1 ◀



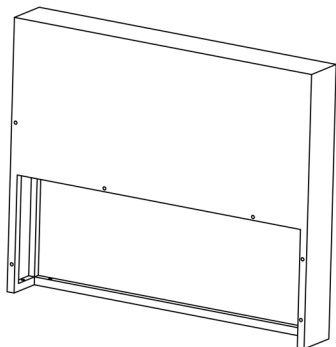
Step 2 ◀



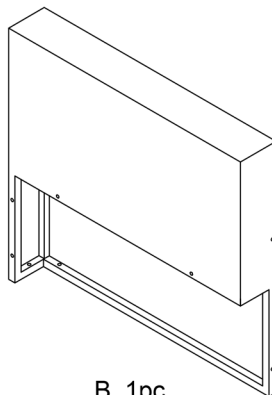
Assembly Step



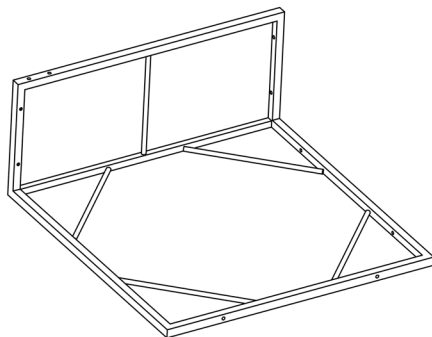
Parts List of Left Corner Chair



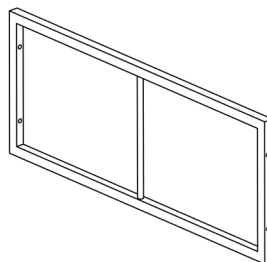
A 1pc
(Armrest)



B 1pc
(Backrest)



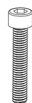
C 1pc
(Seat Panel)



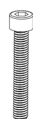
D 1pc
(Side Panel)



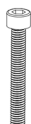
a
Ø6
30pcs



b
M6*35mm
2pcs



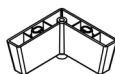
c
M6*40mm
8pcs



g
M6*50mm
10pcs



d
M6
18pcs



e
Corner
3pcs



f
Straight
1pc



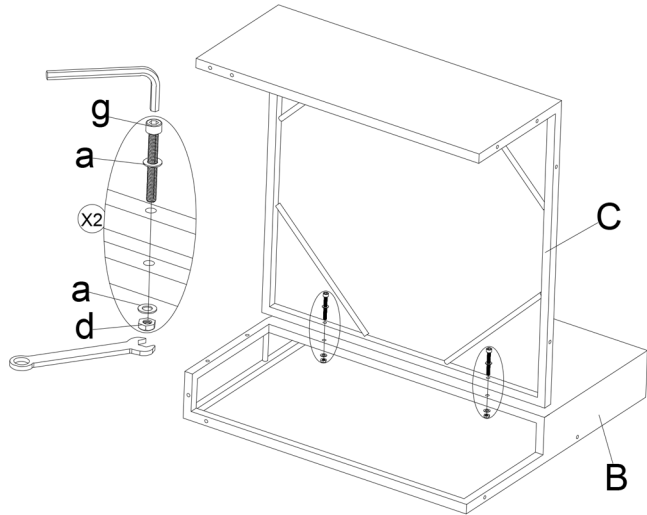
Allen key
1pc



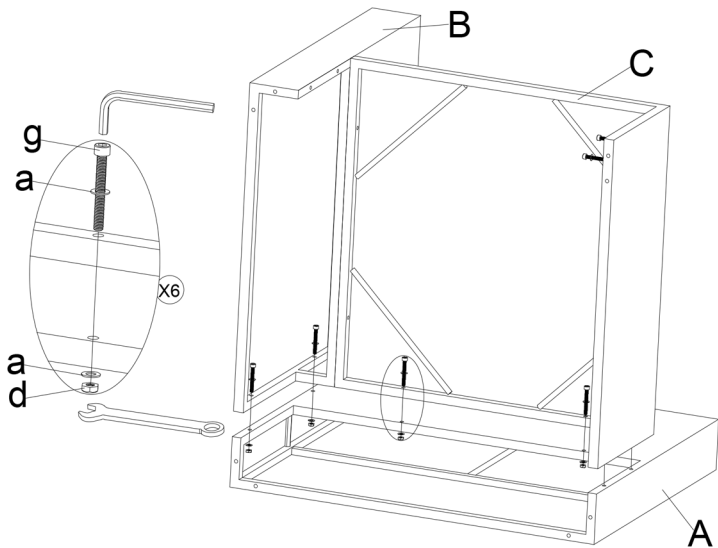
Spanner
1pc

Assembly Step

Step 1 ◀



Step 2 ◀



Assembly Step

