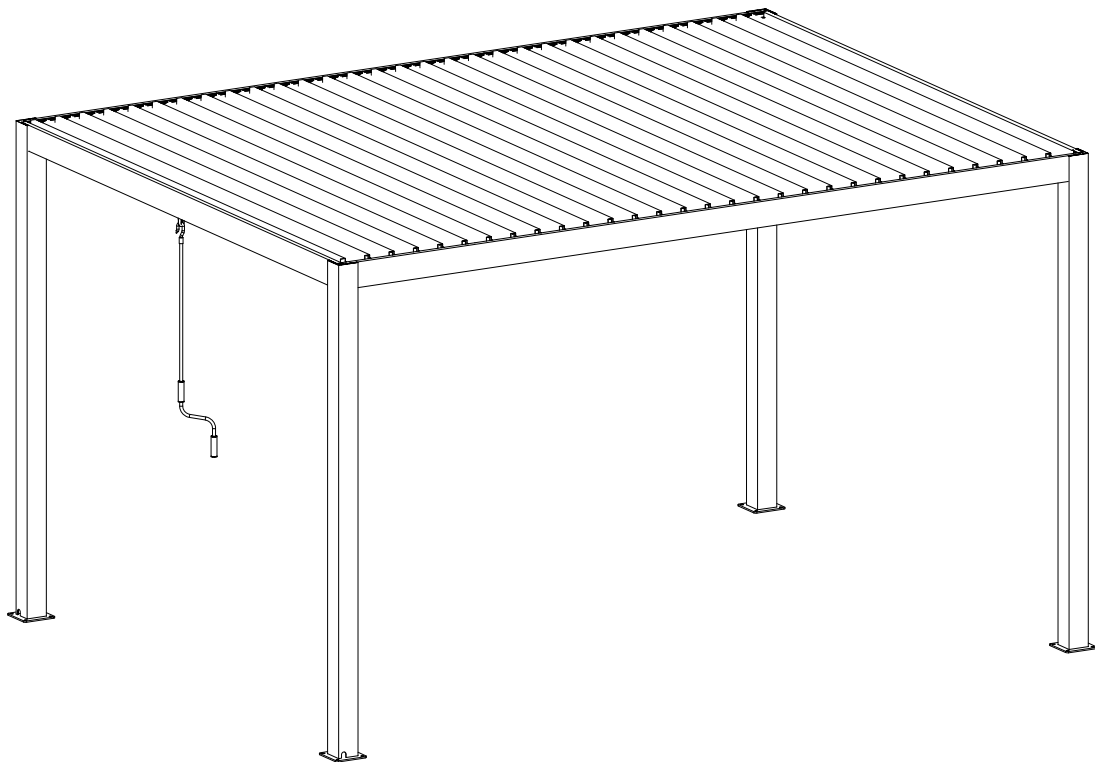


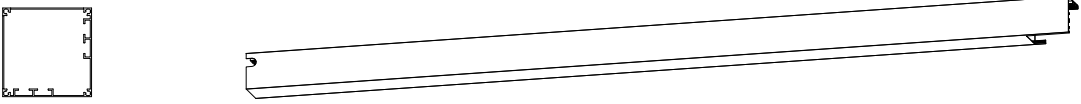
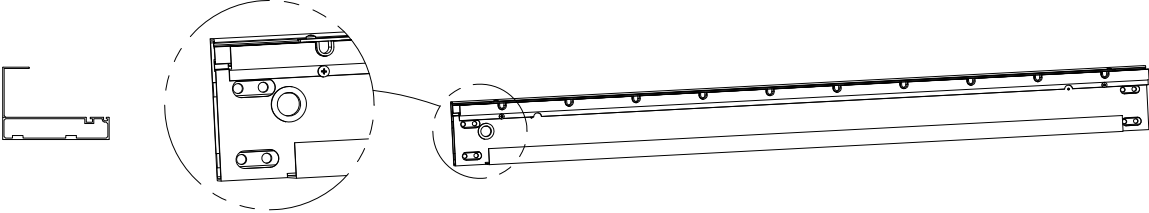
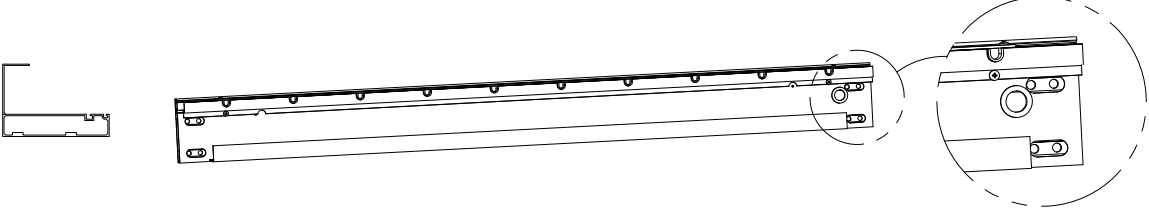
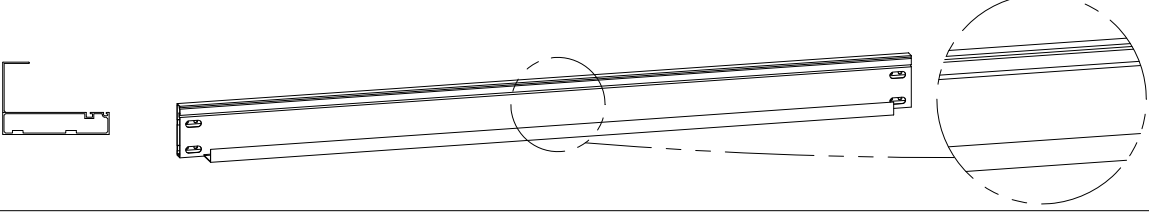
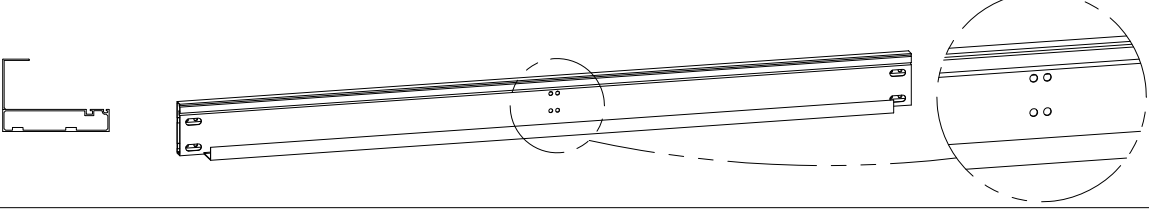
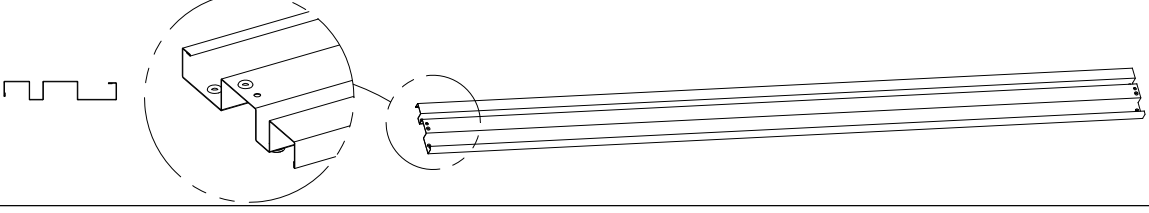
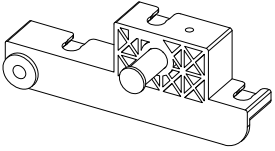
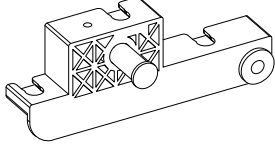
8640 Galaxy Pergola

User's Manual

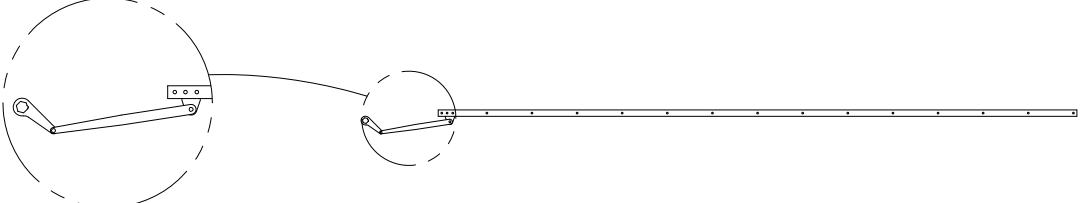
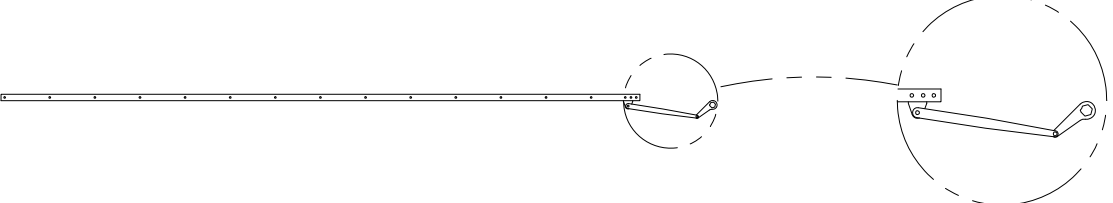
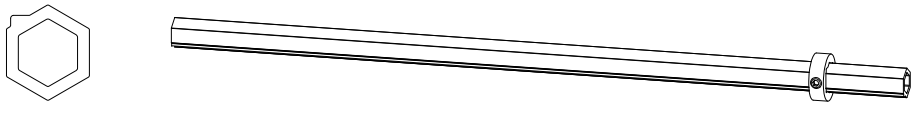
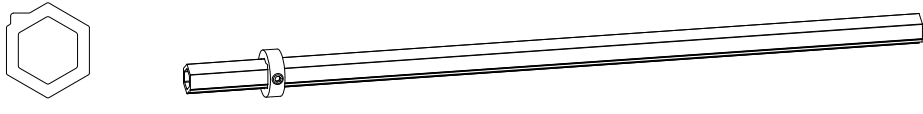
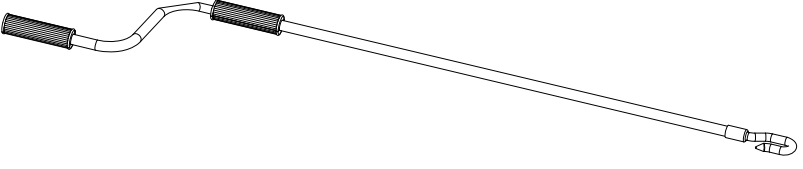
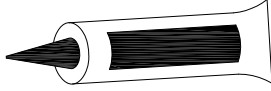
10x13 FT



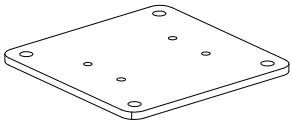
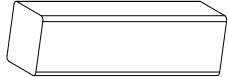
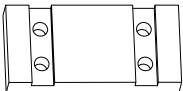


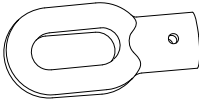
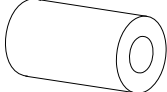

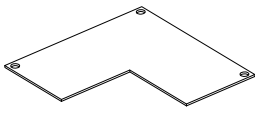
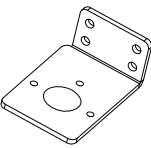
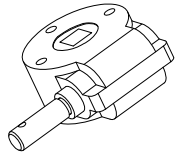
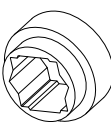
Bill of Materials List

REF	PHOTO	QTY
A		4
B1		1
B2		1
C1		1
C2		1
F		30
G1		30
G2		30

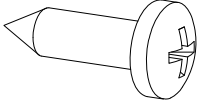
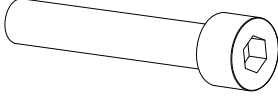

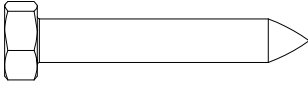


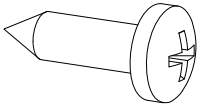


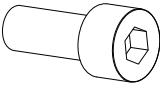
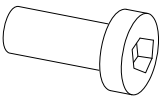
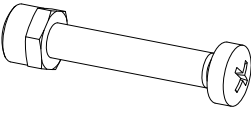
Bill of Materials List

REF	PHOTO	QTY
H1	 A technical drawing of a long, thin rod with a bent end. A dashed circle highlights the bent end, and a smaller dashed circle provides a magnified detail of that section, showing a small rectangular feature with three holes.	1
H2	 A technical drawing of a long, thin rod with a bent end. A dashed circle highlights the bent end, and a smaller dashed circle provides a magnified detail of that section, showing a small rectangular feature with three holes.	1
I1	 A technical drawing showing a hexagonal nut on the left and a tapered rod with a collar on the right.	1
I2	 A technical drawing showing a hexagonal nut on the left and a tapered rod with a collar on the right.	1
J	 A technical drawing of a long, thin rod with a curved handle section at one end.	1
K	 A technical drawing of a tapered rod with a conical tip.	1

Bill of Materials List

REF	PHOTO	QTY	REF	PHOTO	QTY
L1		4	L9		1
L2		8	L10		2
L3		16	L11		1
L4		2	L12		16
L5		4			
L6		1			
L7		1			
L8		2			

Bill of Materials List

REF	PHOTO	QTY	REF	PHOTO	QTY
M1	 ST4.8×16	60	M9	 M6*35	3
M2	 φ6*16*M5	58	M10	 M8*75	16
M3	 ST4.8×45	2	M11	 φ10*50	16
M4	 ST5.5×16	12	M12	 φ8*1	16
M5	 ST5.5×32	16			
M6	 M8*20	32			
M7	 M6*16	4			
M8	 M4 & M4*20	1			

Kinder Reminder

General Guidelines

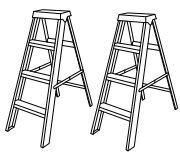
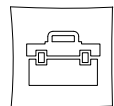
- Please keep this manual for future use after you install the pergola;
- Please read the following instruction carefully before assembly;
- This manual may not include every details and considerable steps;
- Please contact us when you need further information or any help

Kind Notes

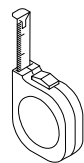
·Please do not allow snow to accumulate on the louver roof. If moderate or heavy snow is expected to coming, do open the louvers, also does it in the conditions of high winds or other extreme weather conditions.

·Please open the louvers and raise or remove any shade screen accessories that have been installed to avoid potential damage to the pergola when bad weather comes.

What you may need?



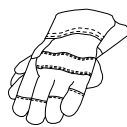
Ladder x2



Tapeline



Mallet

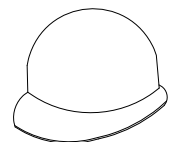


Glove

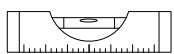


Ø10mm

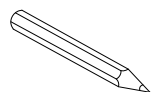
electric screw driver



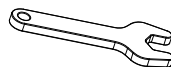
Safety hat



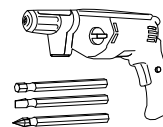
Level



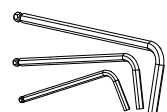
Marker Pen



Adjustable wrench

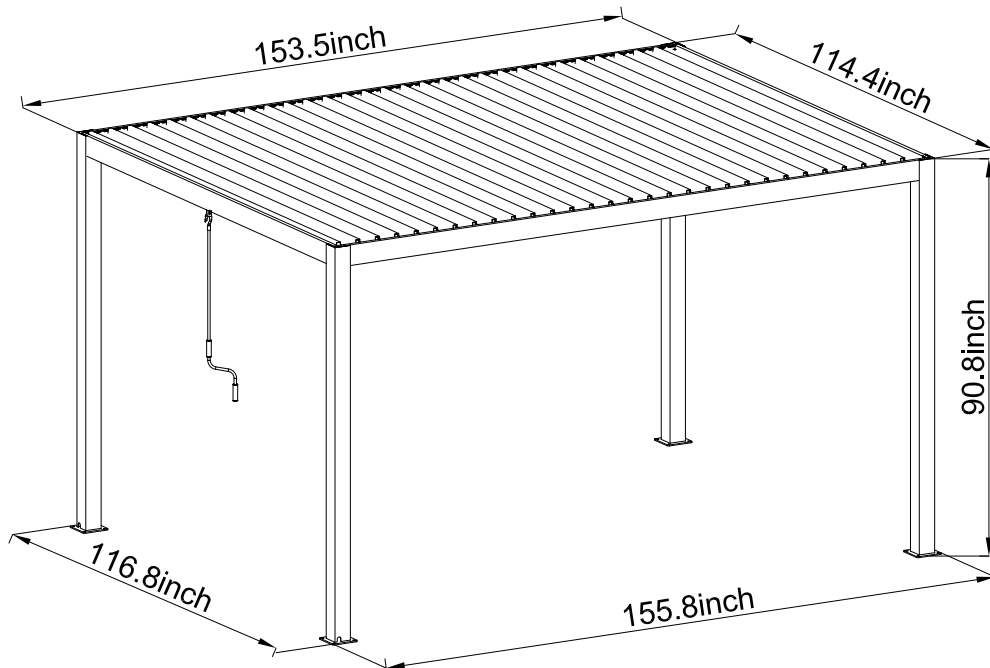
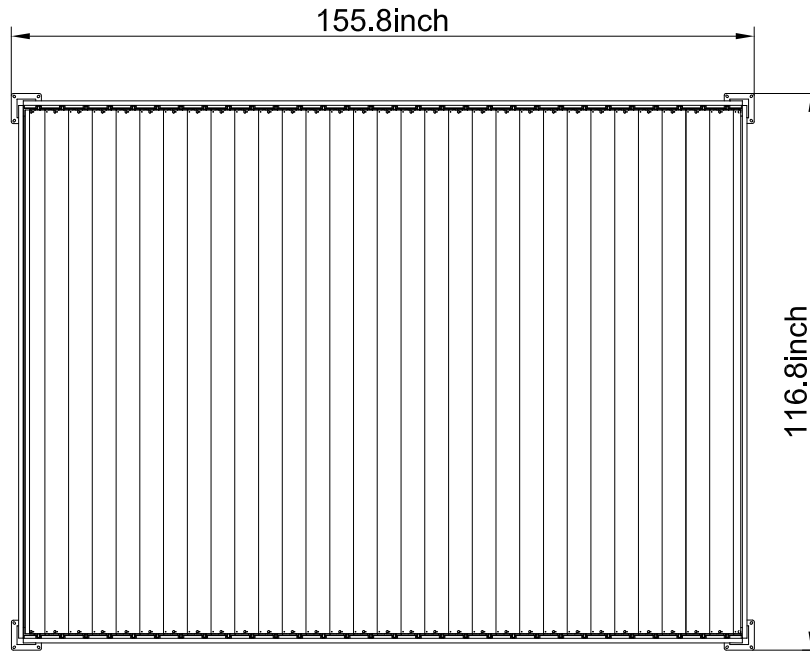


screwdriver or electric screwdriver



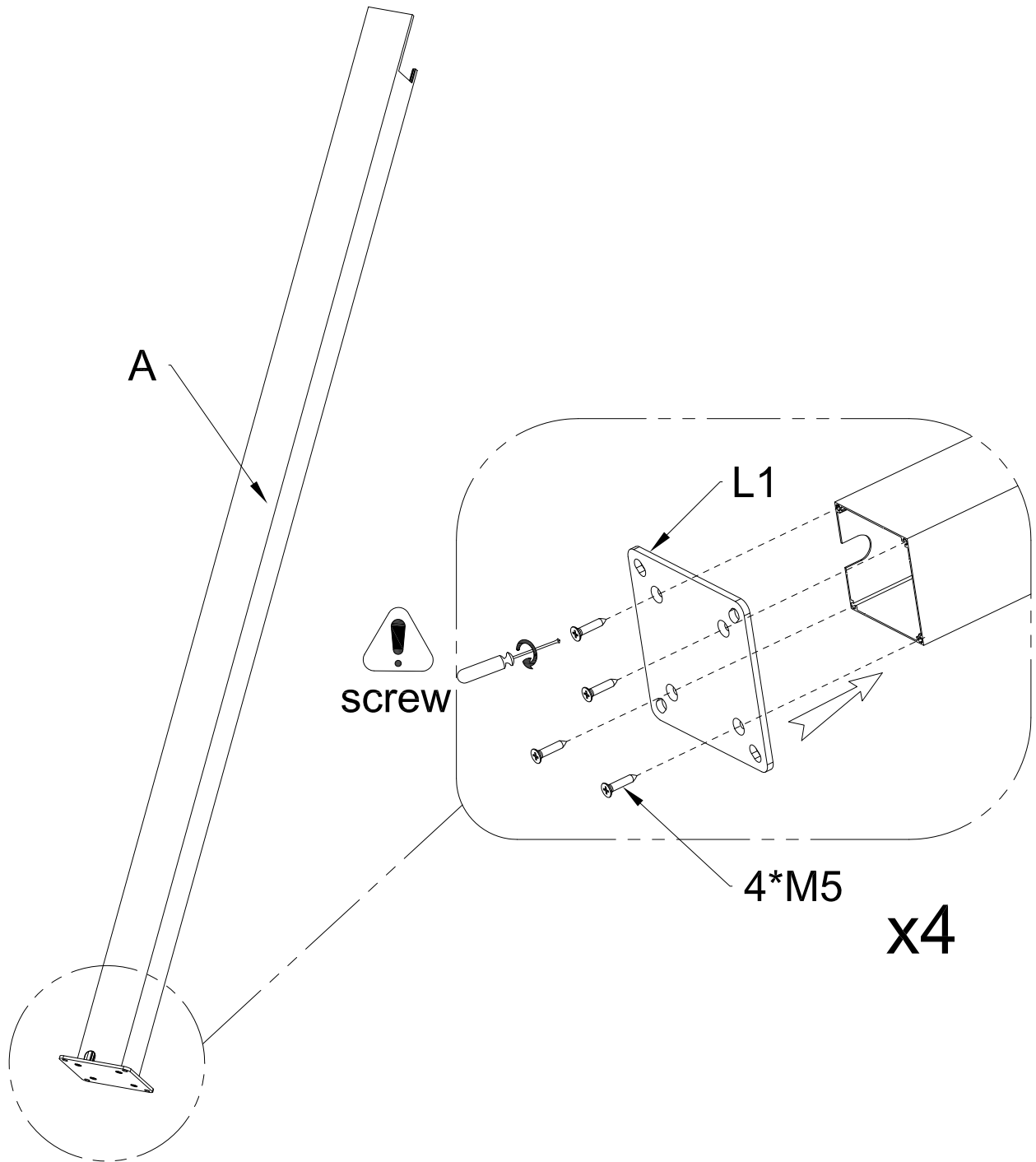
Allen key

Overall Size Display



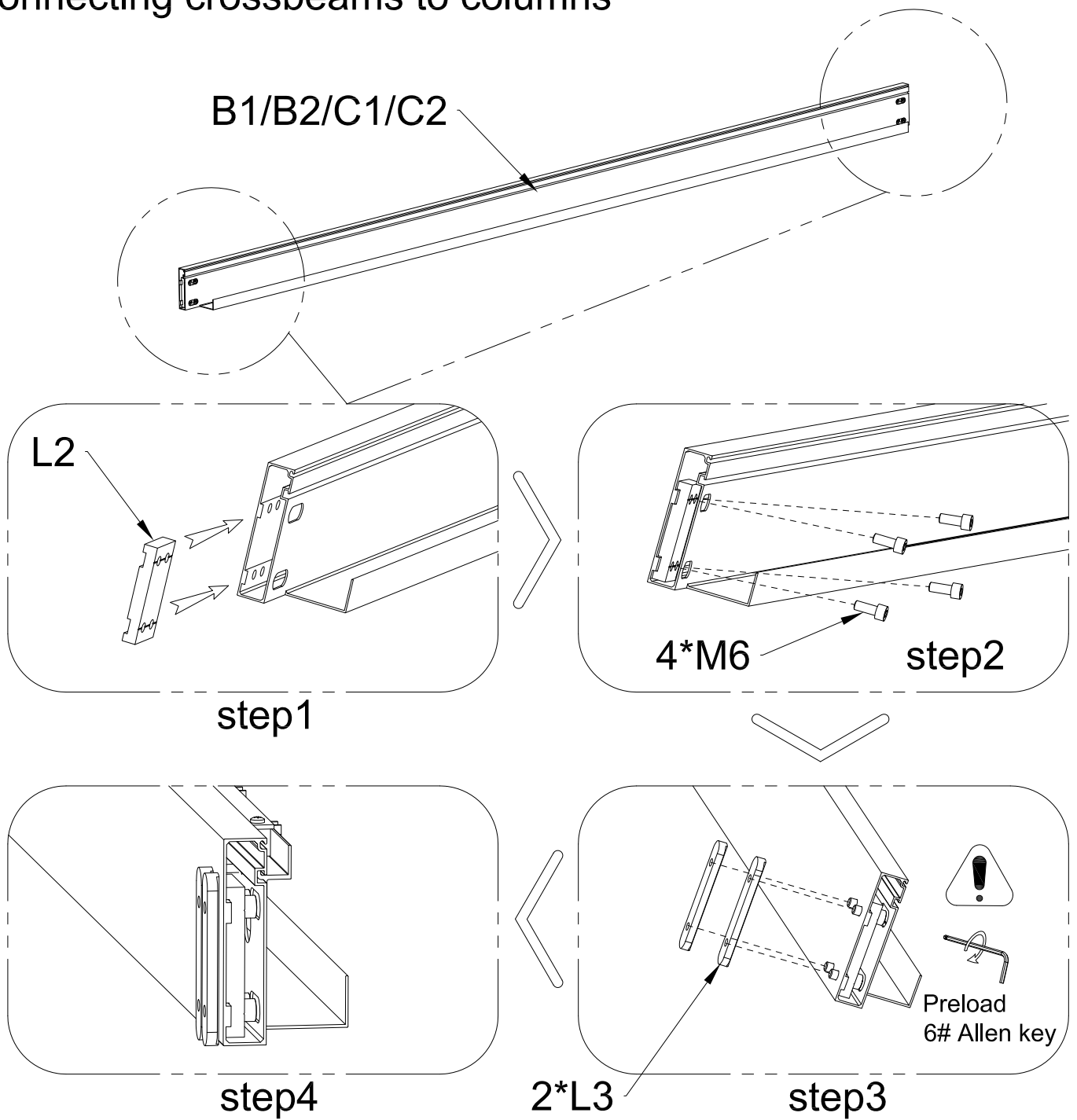
Step-by-step Instructions for Installation

1. Assemble a total of **four** columns



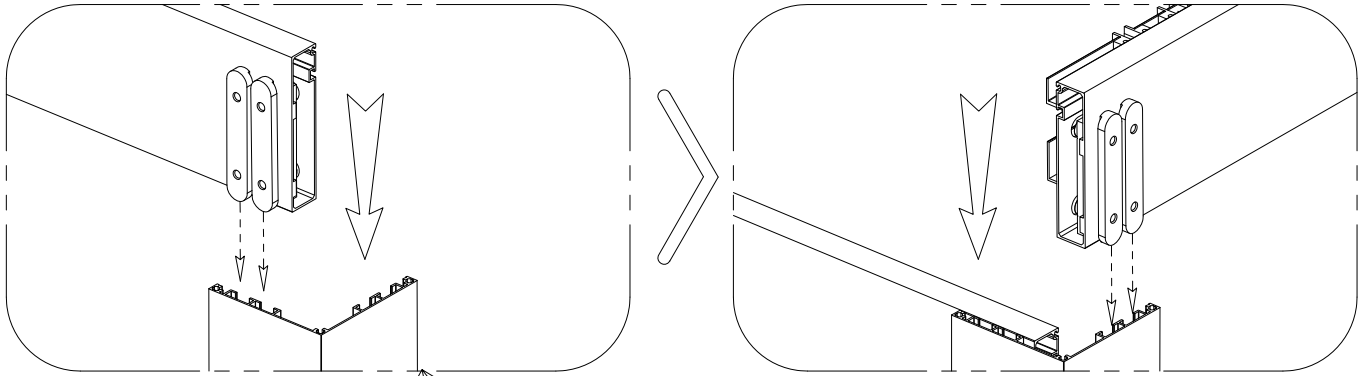
A		QTY:4PCS
L1		QTY:4PCS
M5		QTY:16PCS
	ST5.5×32	

2. Pre install four sets of short iron components for connecting crossbeams to columns

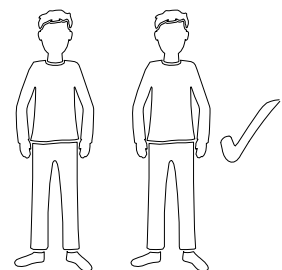
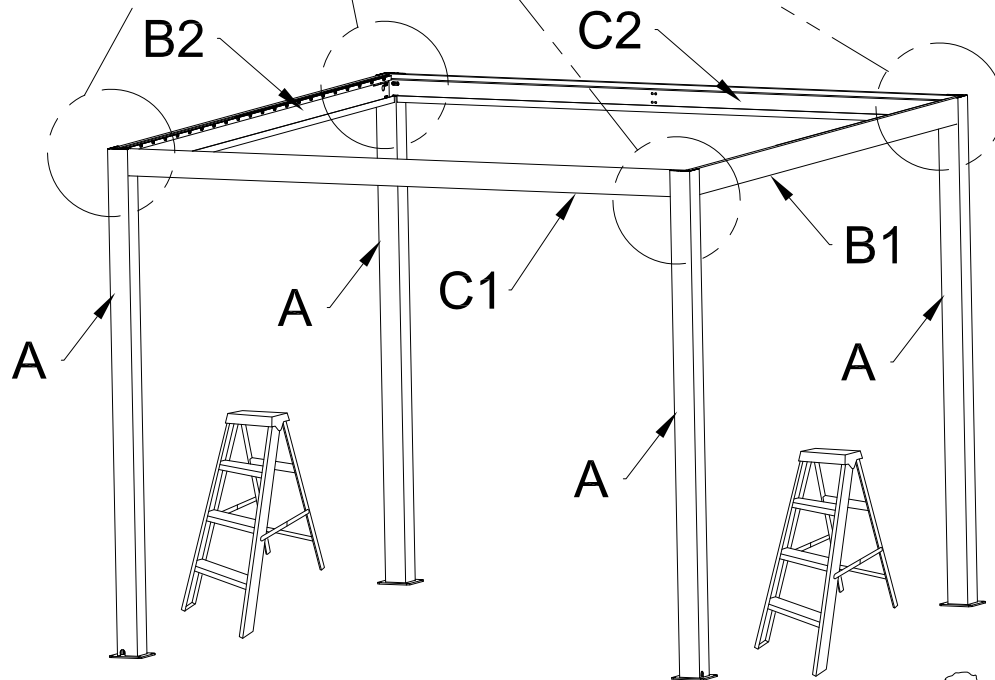


B1		QTY:1PCS			
B2		QTY:1PCS	L2		QTY:8PCS
C1		QTY:1PCS	L3		QTY:16PCS
C2		QTY:1PCS	M6	 M8*20	QTY:32PCS

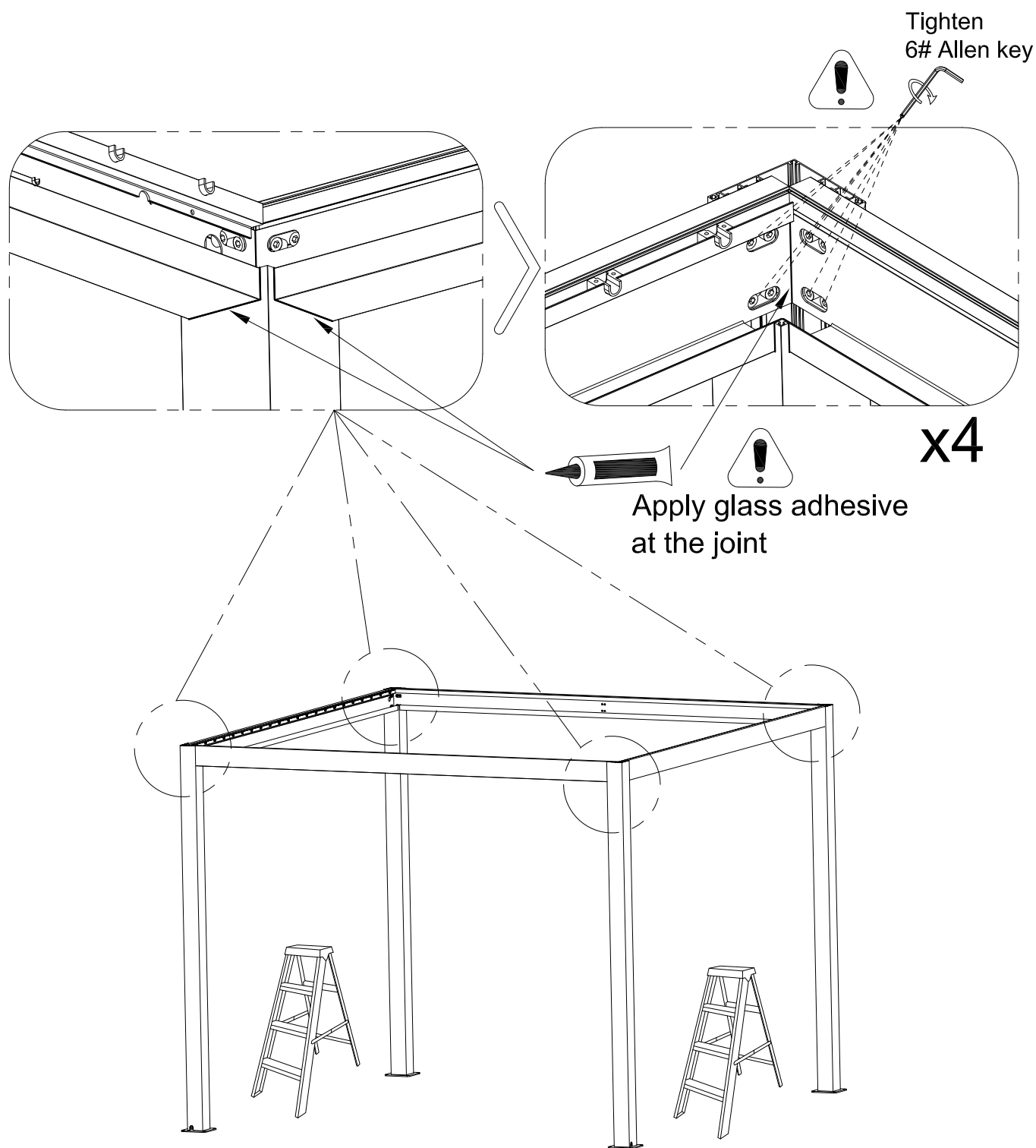
3.1 Building a framework



x4



3.2 After the framework construction is completed, tighten all the pre tightened nuts of P2

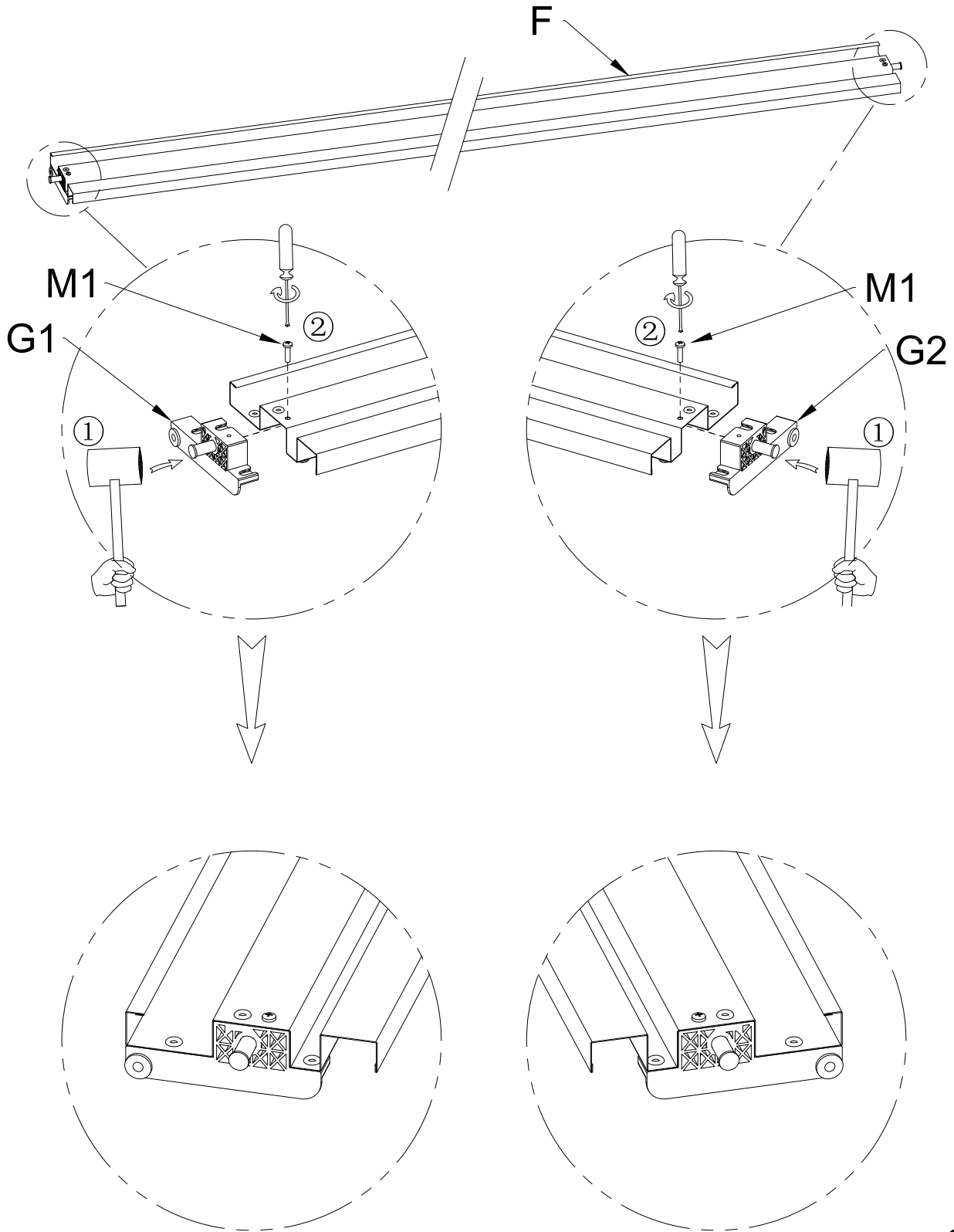


K


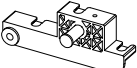
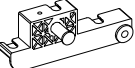
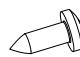


QTY:1PCS

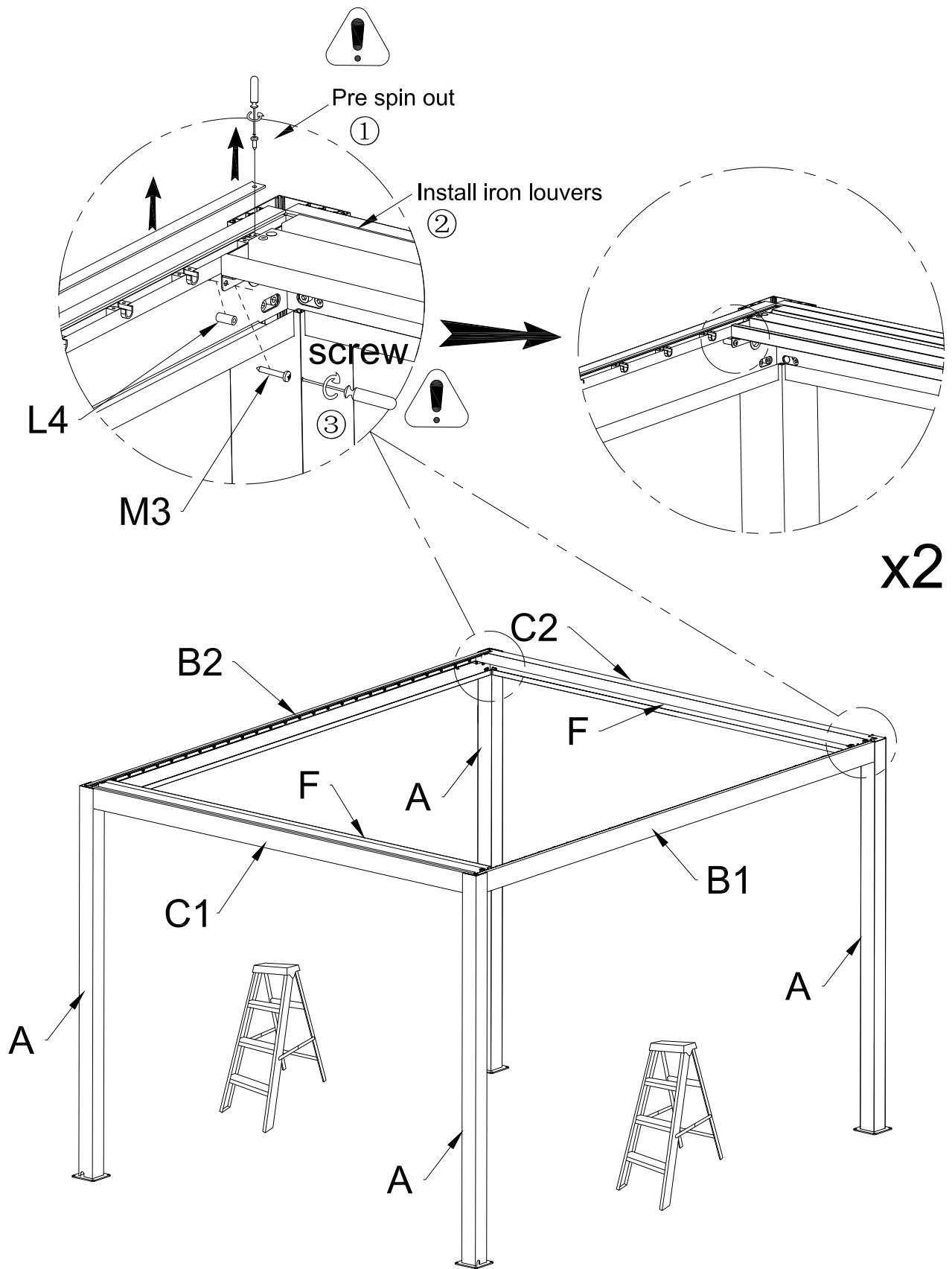
4. Install the left and right end covers of the iron louvers





x30

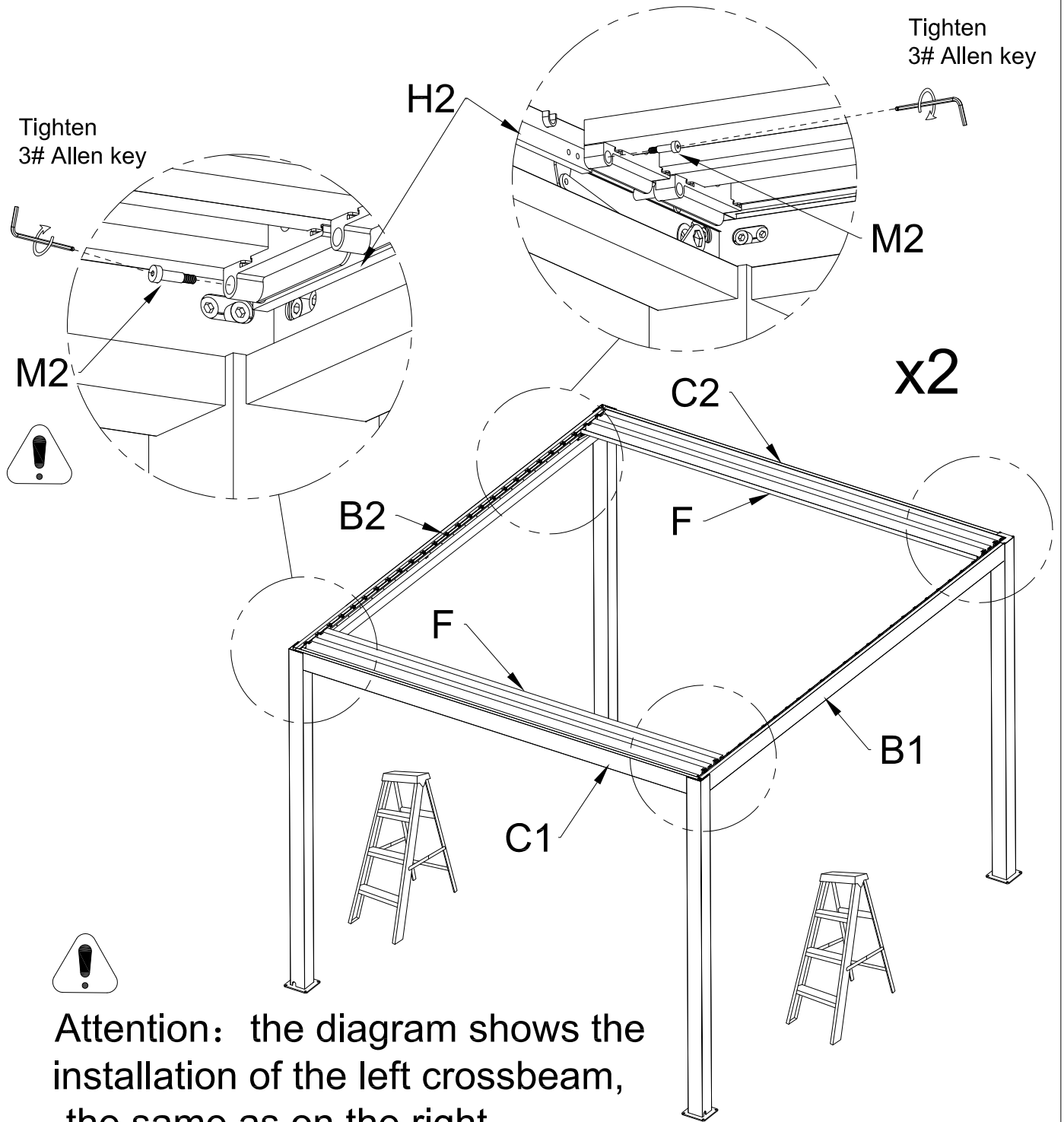
F		QTY:30PCS			
G1		QTY:30PCS	G2		M1  QTY:60PCS ST4.8*16

5. Install the 1st & last louvers



L4		QTY:2PCS	M3		QTY:2PCS
					ST4.8*45

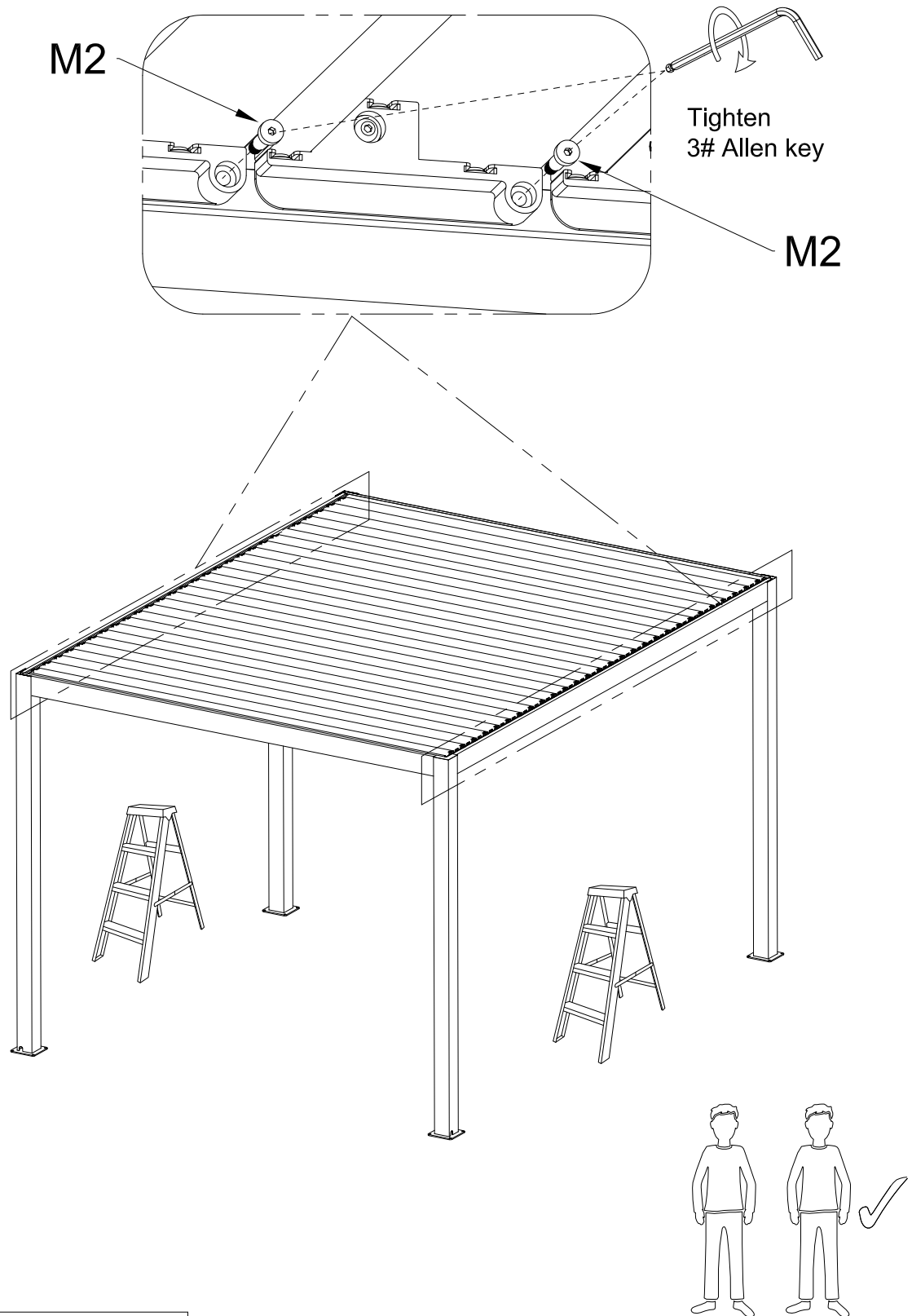
6. Install two more louvers and combine them with the push rod



Attention: the diagram shows the installation of the left crossbeam, the same as on the right

H1		QTY:1PCS	
H2		QTY:1PCS	M2 QTY:4PCS φ6*16*M5

7. Insert all louvers and combine with push rods



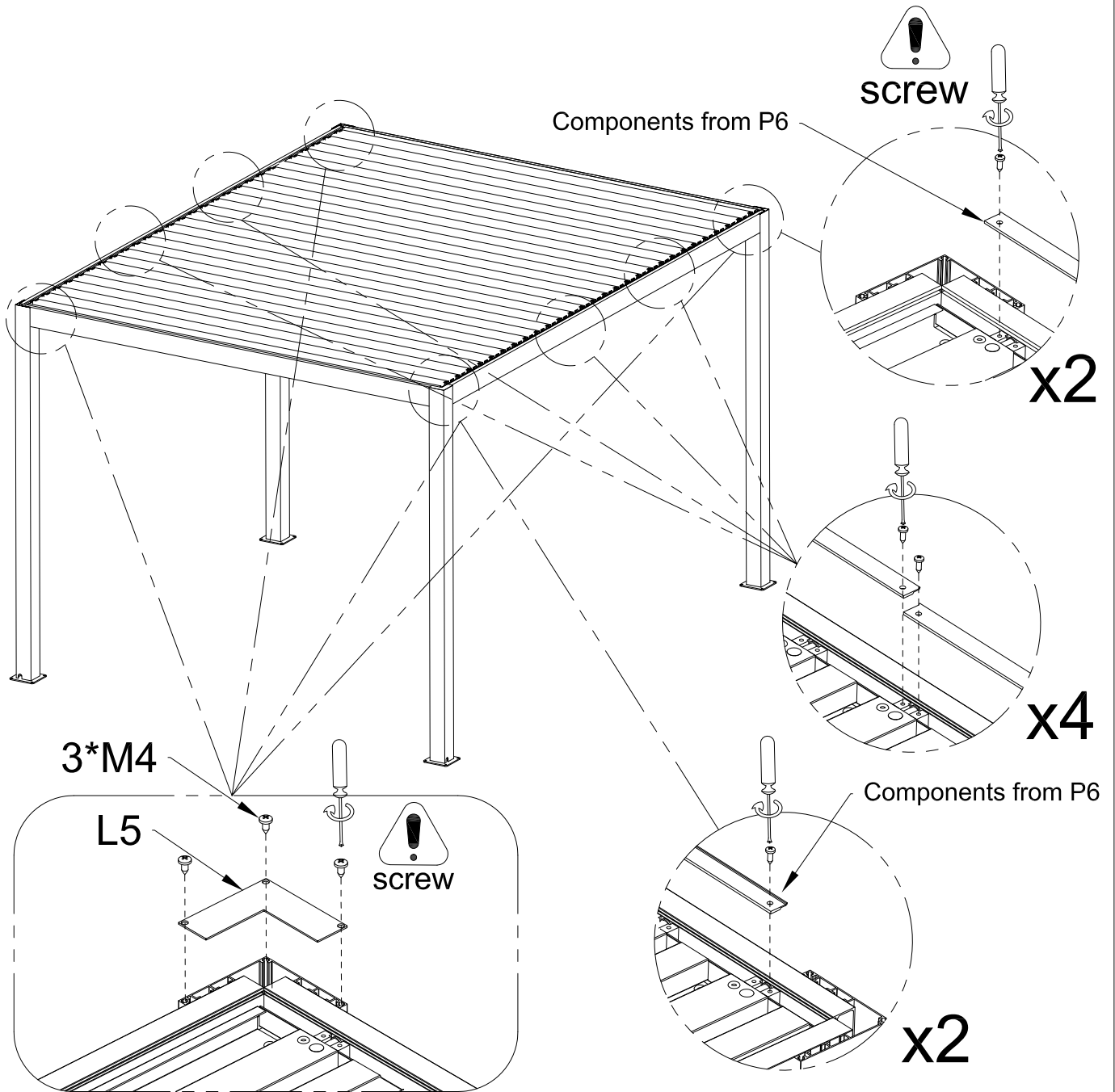
M2



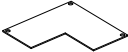
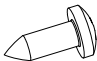
QTY:54PCS

$\phi 6 * 16 * M5$

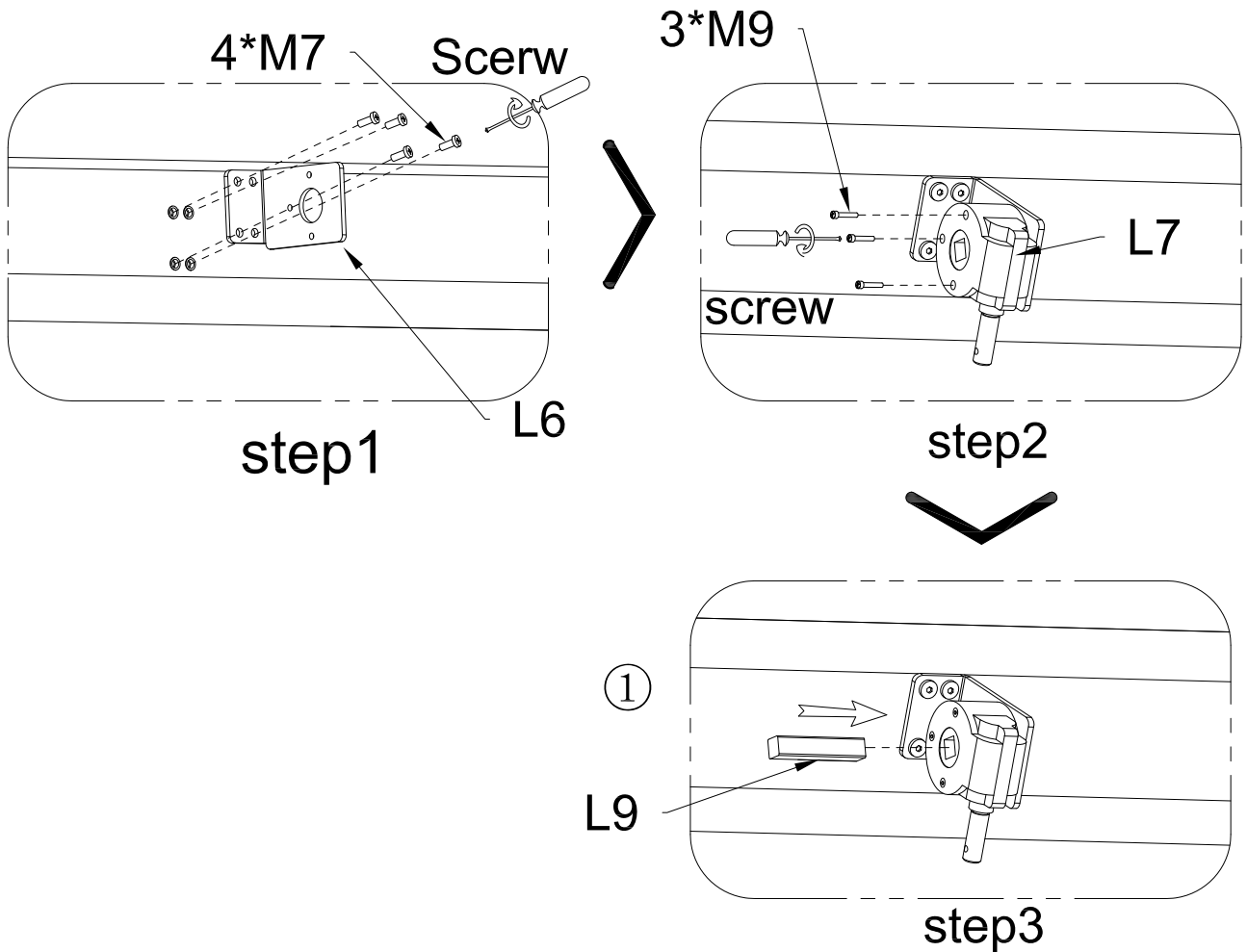
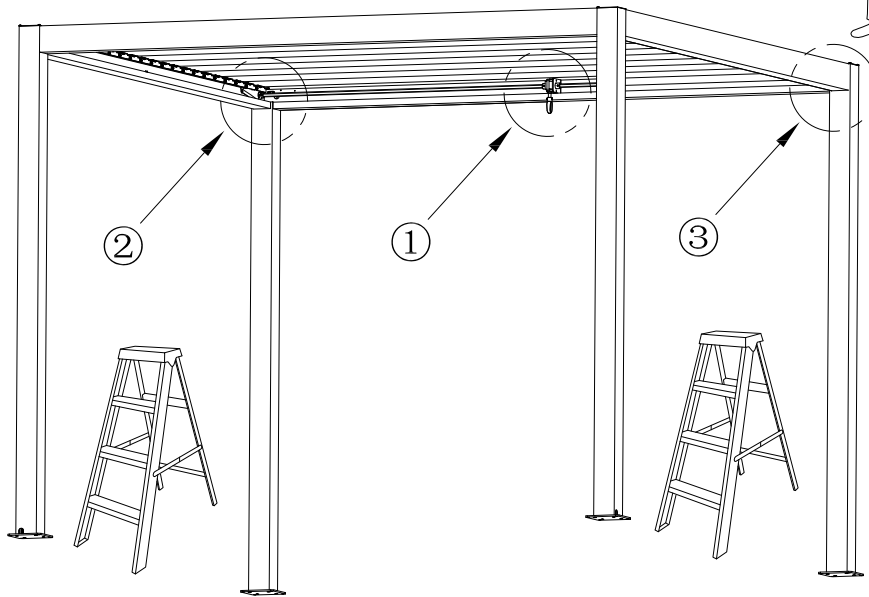
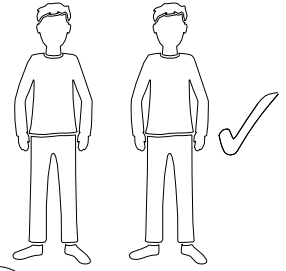
8. Restoration step 5: Dismantled shaft seat cover plate



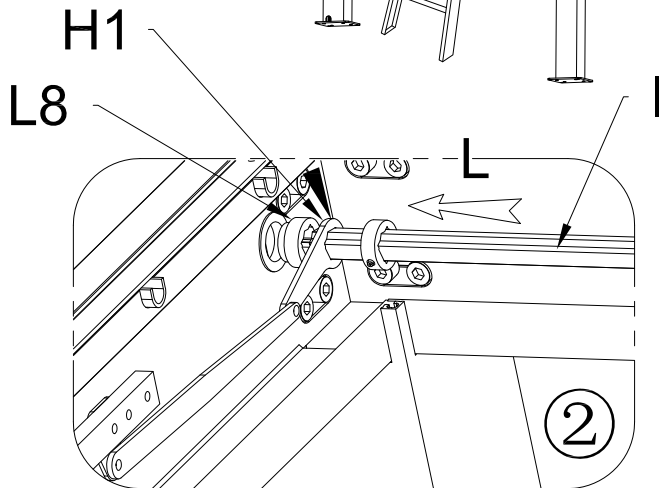
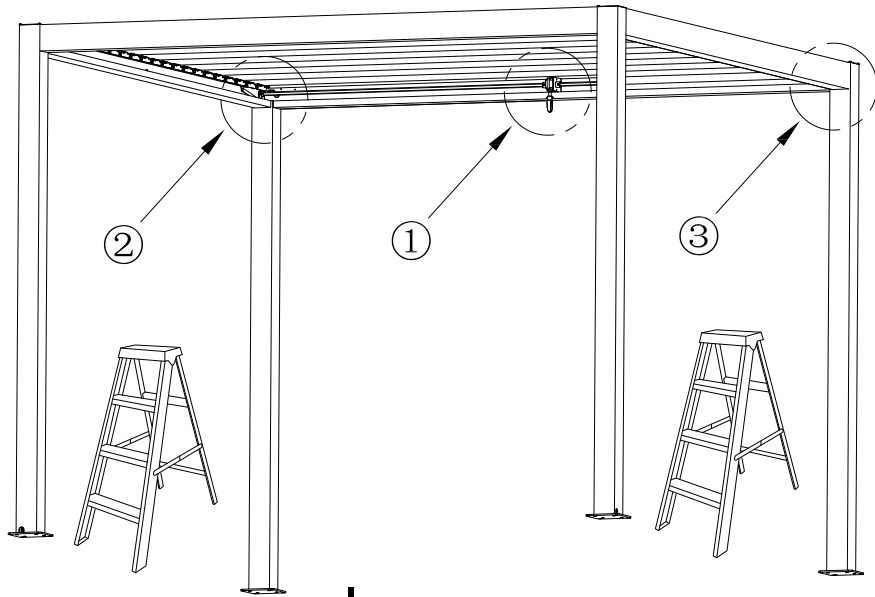
Install **four** column cover plates

L5		QTY:4PCS	M4		QTY:12PCS
					ST5.5*16

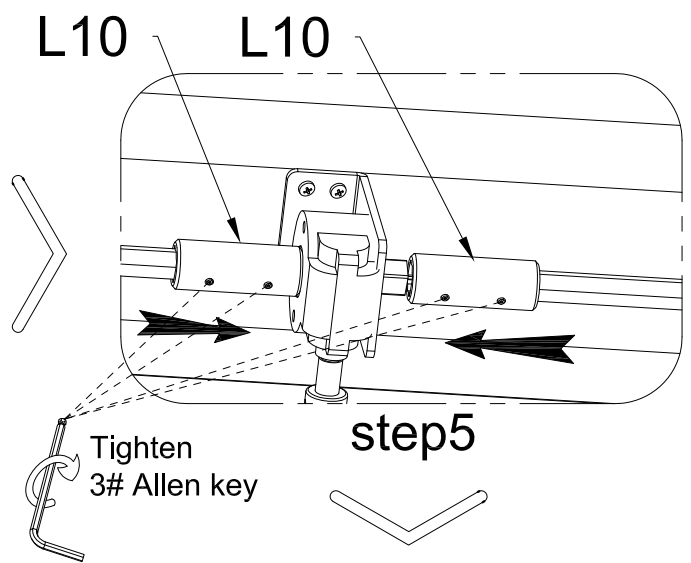
9. Install the left and right drive hexagonal bars



L6		QTY:1PCS	L7		QTY:1PCS
L9		QTY:1PCS	M7		QTY:4PCS
			M6*16		
			M9		QTY:3PCS
			M6*35		

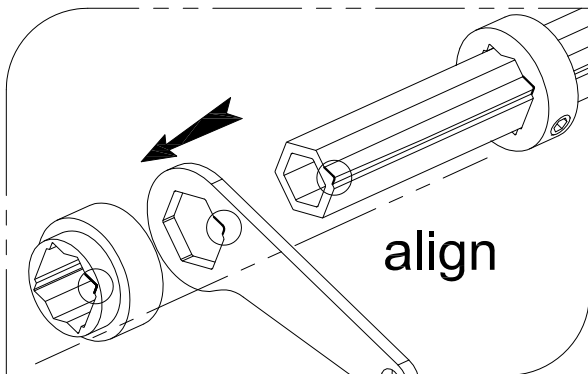


step4

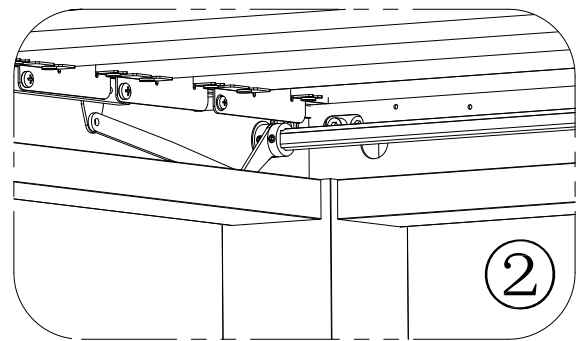


step5

Tighten
3# Allen key



align



step6

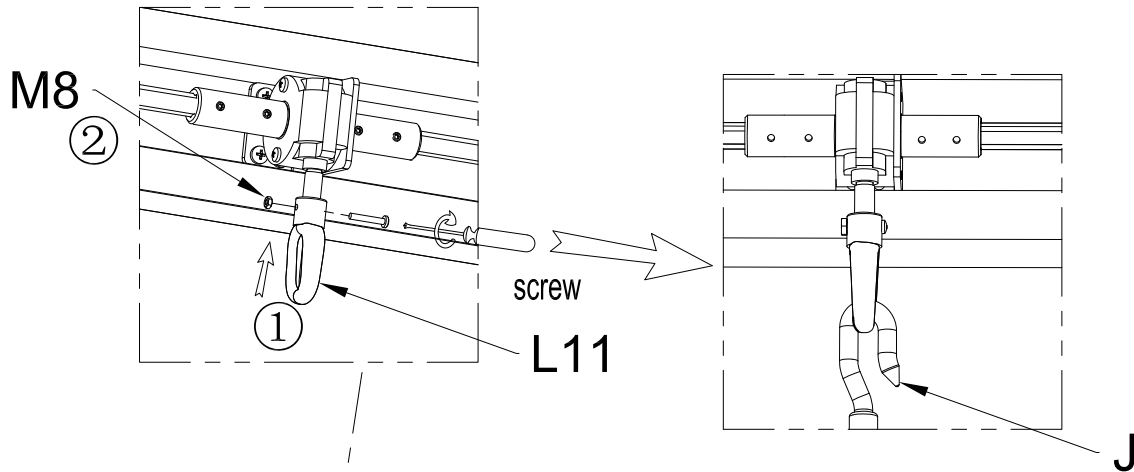


Note that the fourth to sixth steps are the installation steps on the left side, and the same applies to the right side

L8、F1/F2、I1/I2 need pay attention to assembling according to the diagram

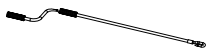
I1		QTY:1PCS	L8		QTY:1PCS
I2		QTY:1PCS	L10		QTY:2PCS

10. Install hinge rings, test product opening and closing flexibility, and ensure no abnormal noise



Test the flexibility of opening and closing the product to ensure there are no abnormal sounds

J



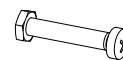
QTY:1PCS

L11



QTY:1PCS

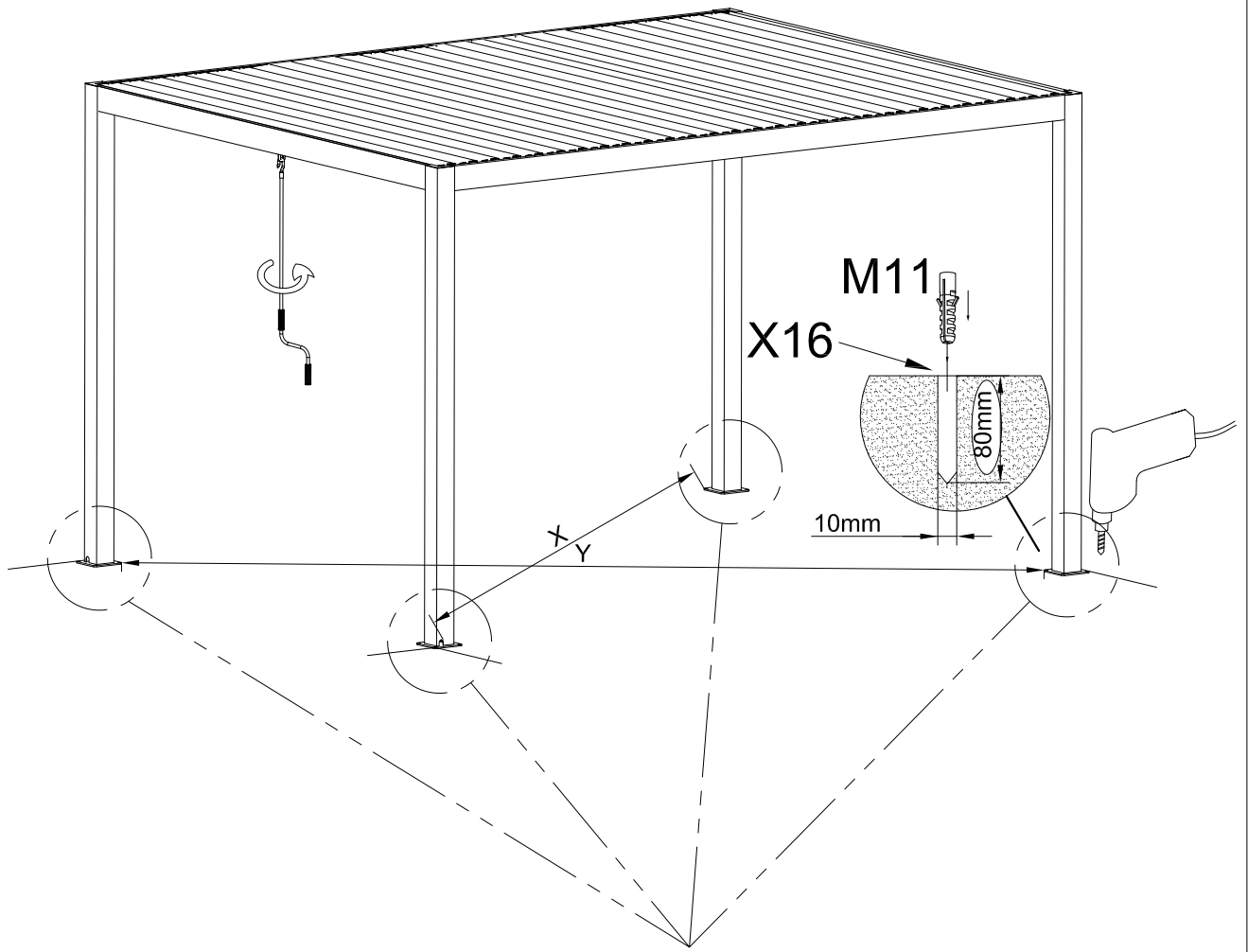
M8



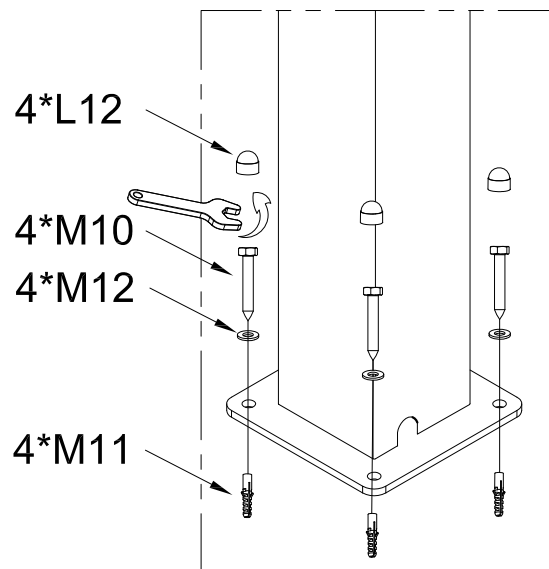
M4*20

QTY:1PCS

11. Fix four pillars



The error between X and Y should not exceed 3CM



L12		QTY:16PCS						
M10		QTY:16PCS	M11		QTY:16PCS	M12		QTY:16PCS
	M8*75			φ10*50			φ8	