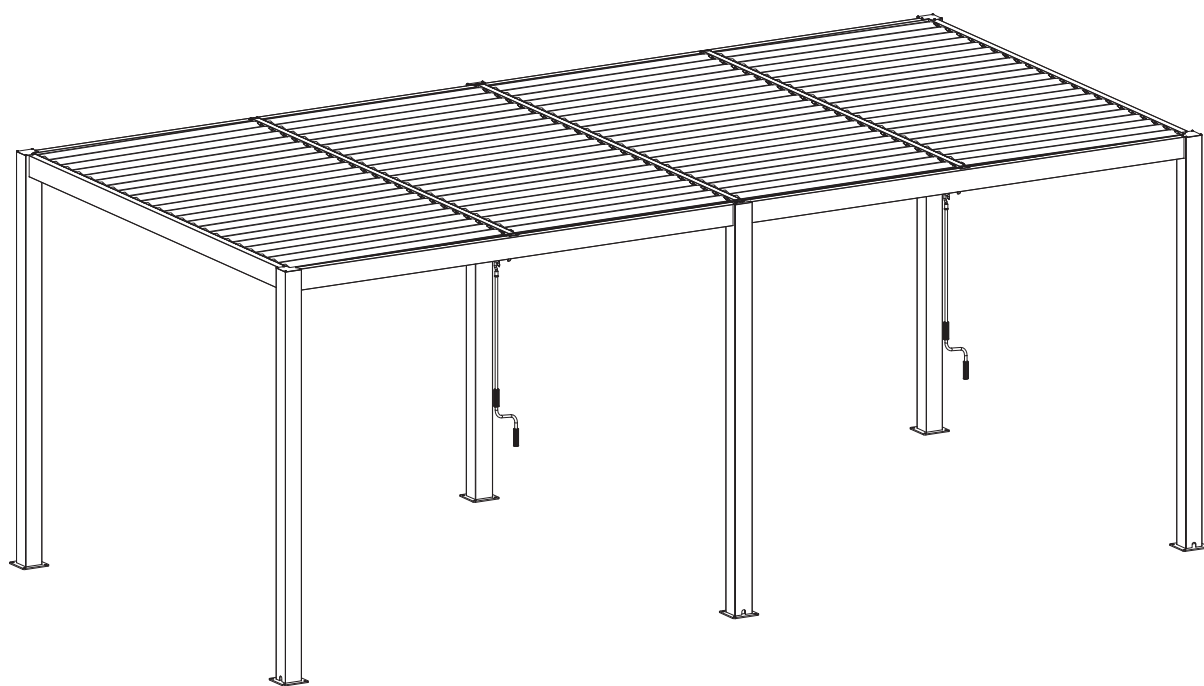


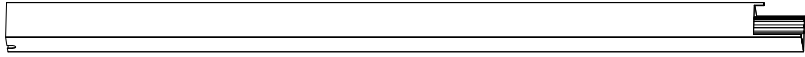


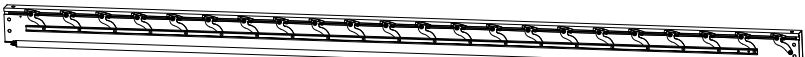




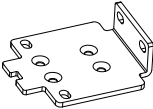

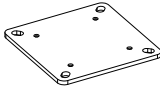
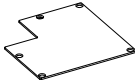

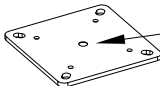

8610J Pergola

User's Manual




19x10 FT

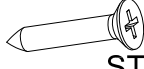
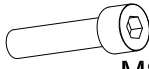



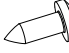
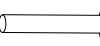



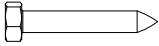





Bill of Materials List

REF	NAME	PHOTO	QTY
A1	Post		4
A3	Middle Post		2
B1	Left Beam		1
B2	Right Beam		1
C1	Front / Rear Beam		2
C2	Front / Rear Beam		2
D1	Middle Beam With Gearbox		2
D2	Middle Beam		1
E	Connectors For Middle Beam		6
F	Louvers		88
G	Bottom Plate For Post A1		4
H	Cover Plate For Post A1		4
I	Cover Plate For Middle Post		2
J	Bottom Plate For Post A1	 Extra point in the middle	2
K	Hinge Ring		4

Bill of Materials List

REF	NAME	PHOTO	QTY
L	Glass Glue		1
M	Pressing Plate For Beam		12
N	Corner Nut Strip For Beam		12

REF	NAME	PHOTO & QTY	
O	Fasteners	O1  ST5.5×32 24PCS	O2  M8×25 24PCS
		O3  M6×16 24PCS	O4  M6×16 32PCS
		O5  φ6 24PCS	O6  ST5.5×16 16PCS
		O7  M4×20 4PCS	O78  M4 4PCS
		O9  24PCS	O10  24PCS
		O11  M8×75 24PCS	O12  φ8 24PCS
		O13  φ10×50 24PCS	O14  176PCS
		P	Manual Crank

Kinder Reminder

General Guidelines

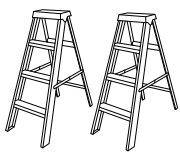
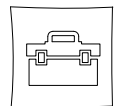
- Please keep this manual for future use after you install the pergola;
- Please read the following instruction carefully before assembly;
- This manual may not include every details and considerable steps;
- Please contact us when you need further information or any help

Kind Notes

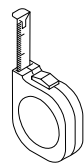
·Please do not allow snow to accumulate on the louver roof. If moderate or heavy snow is expected to coming, do open the louvers, also does it in the conditions of high winds or other extreme weather conditions.

·Please open the louvers and raise or remove any shade screen accessories that have been installed to avoid potential damage to the pergola when bad weather comes.

What you may need?



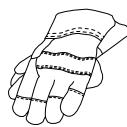
Ladder x2



Tapeline



Mallet

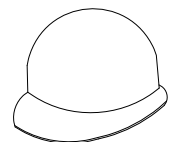


Glove



Ø10mm

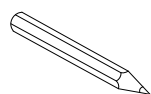
electric screw driver



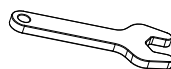
Safety hat



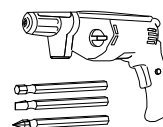
Level



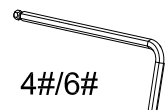
Marker Pen



Adjustable wrench



screwdriver or electric screwdriver

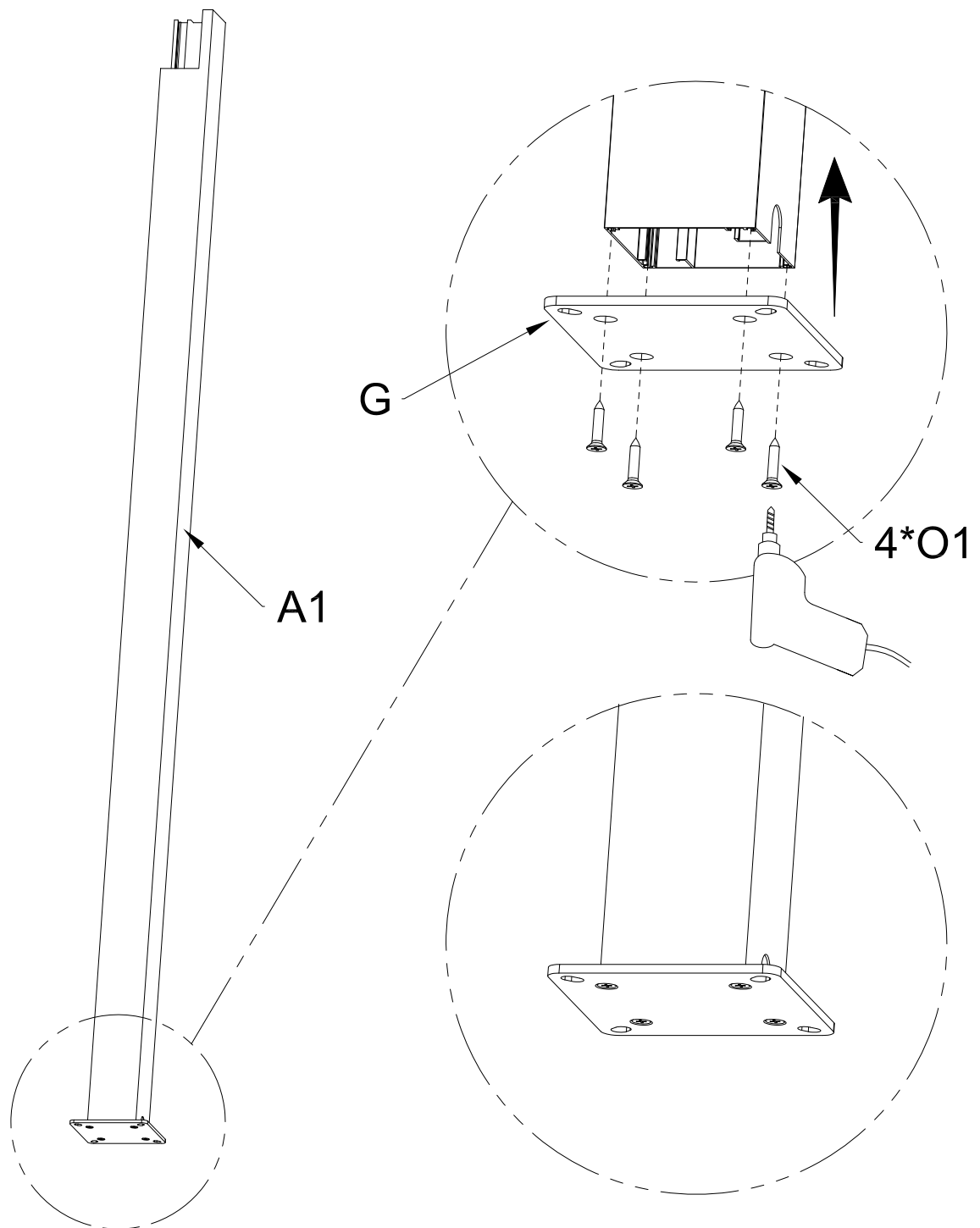


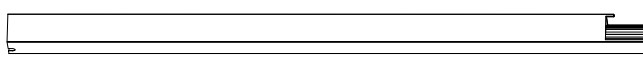
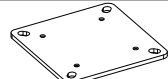

4#/6#

Allen key

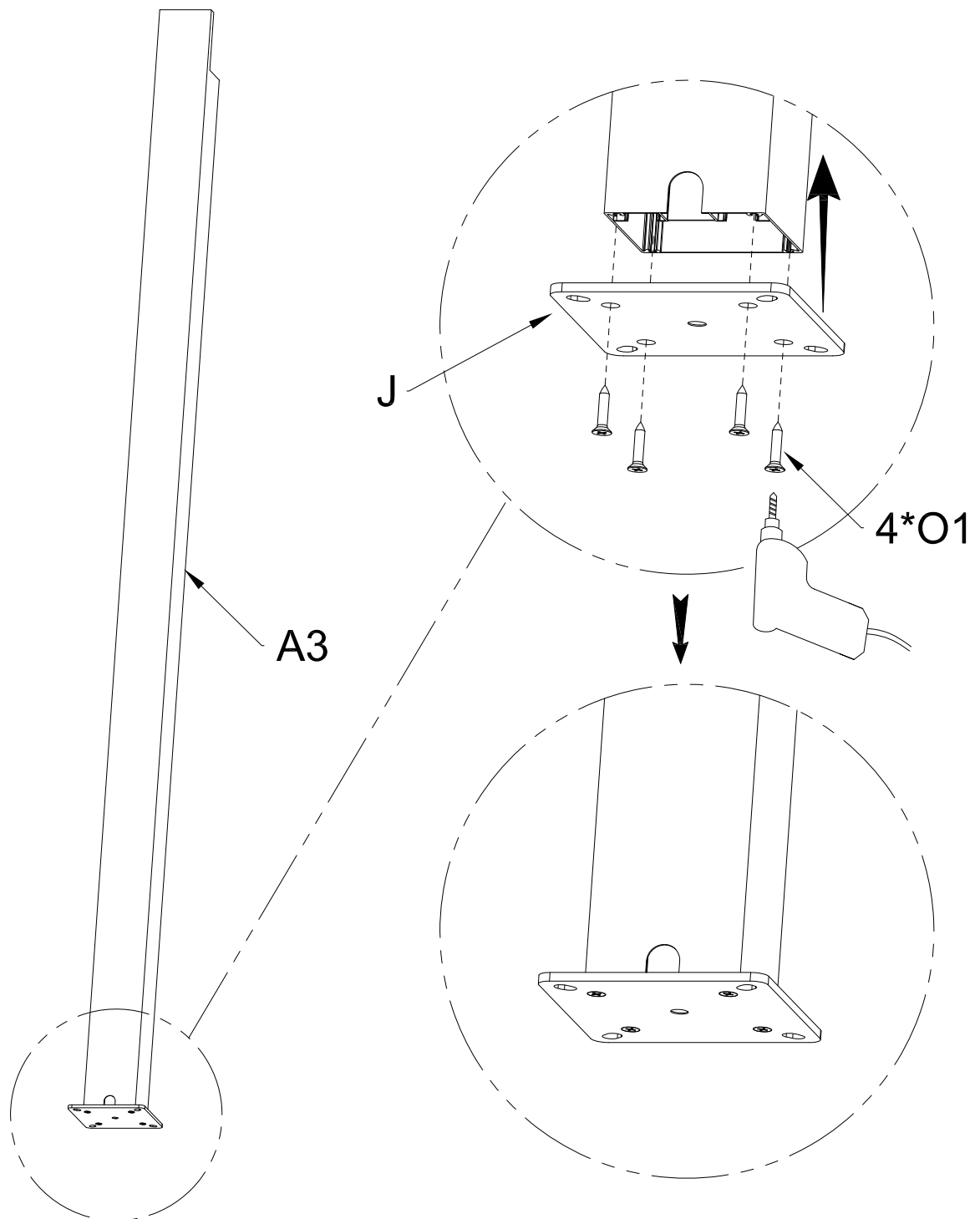
Step-by-step Instructions for Installation

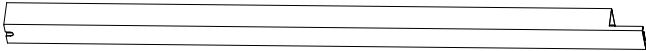
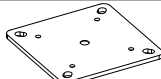

1.1 Assemble **four** corner pillars



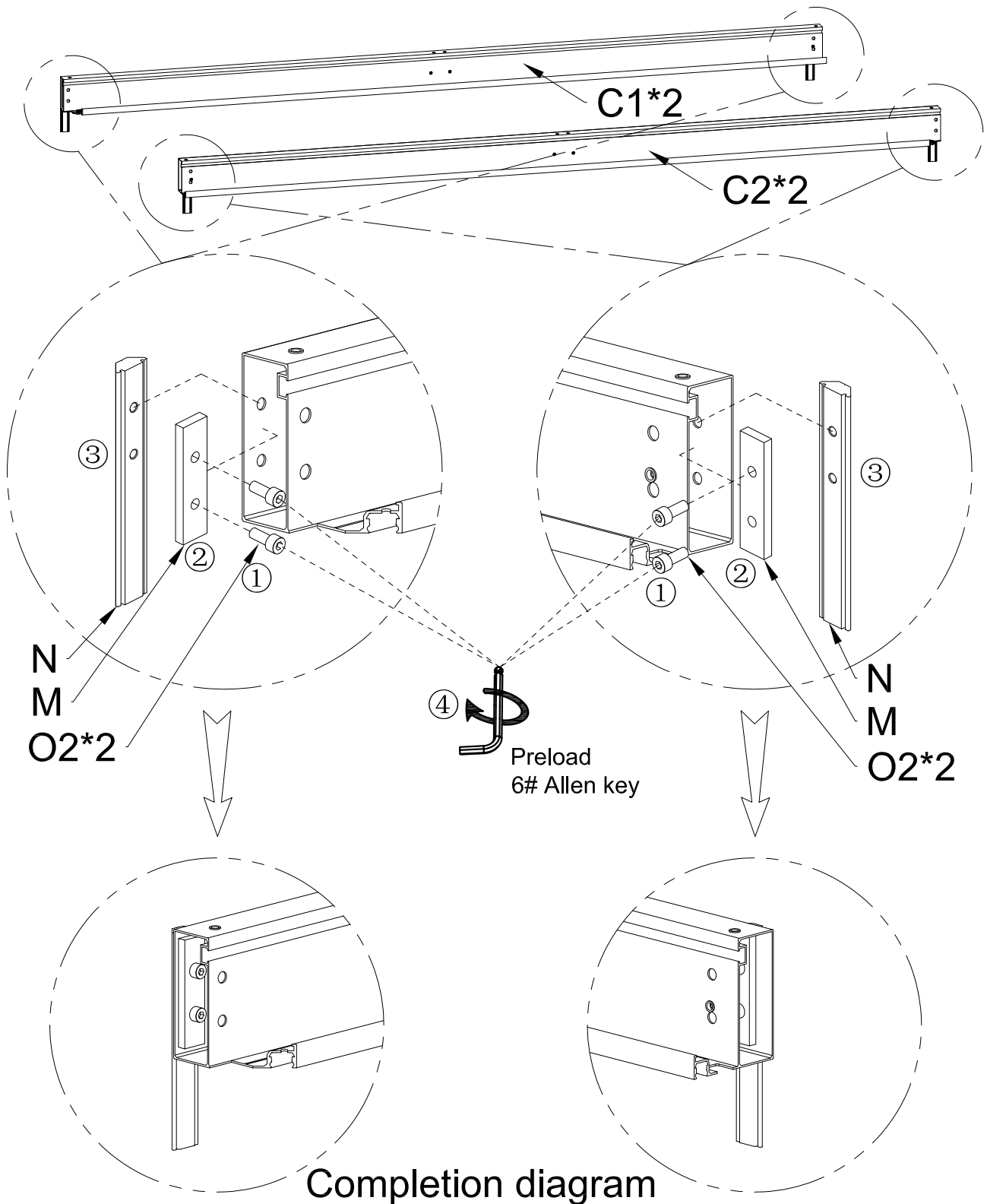
A1		QTY:4PCS
G		QTY:4PCS O1  QTY:16PCS ST5.5×32


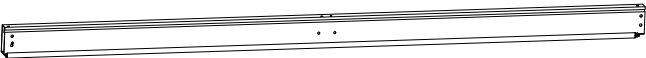
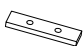


1.2 Assemble two middle pillars



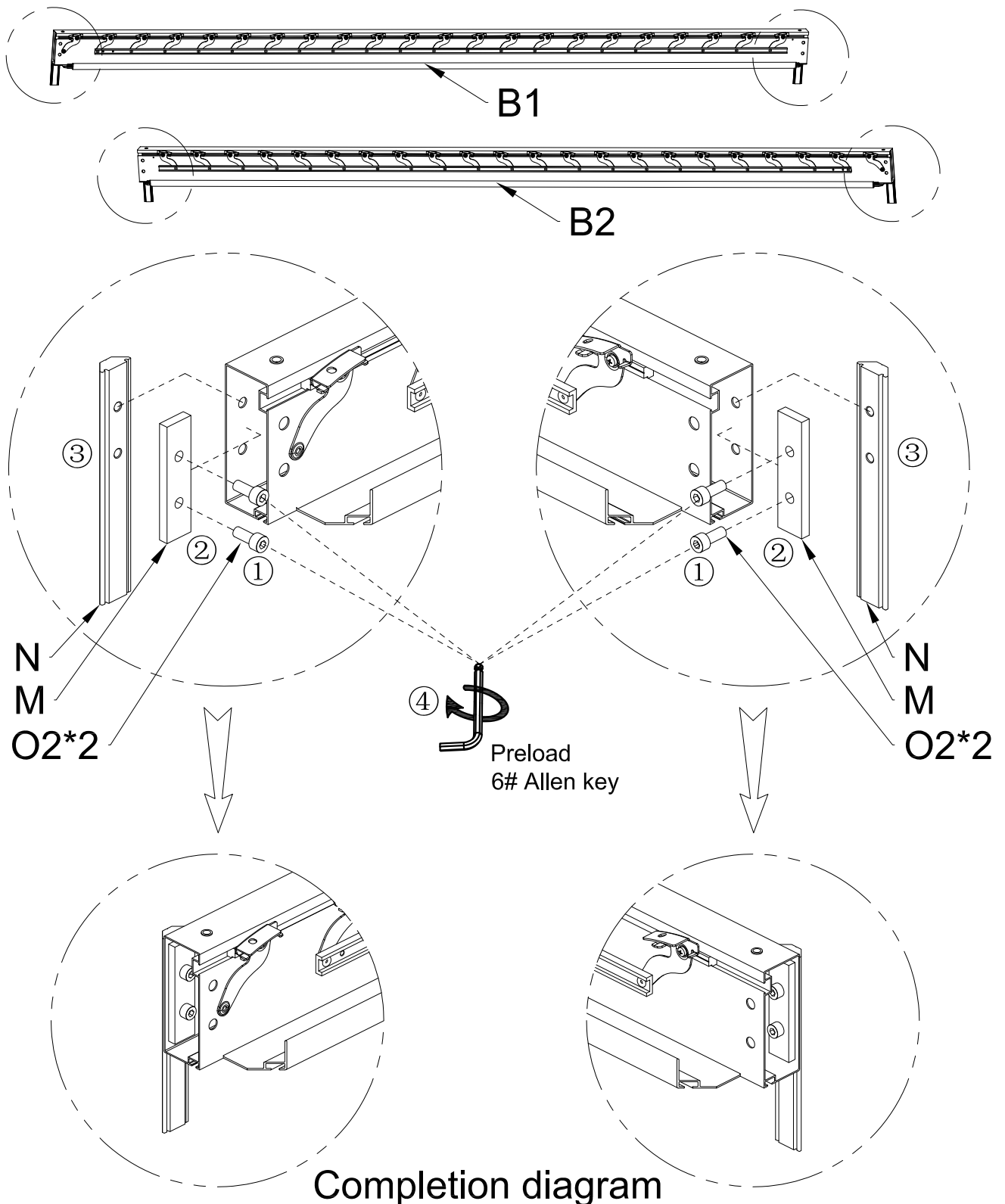
A3		QTY:2PCS
J		QTY:2PCS
O1	 ST5.5×32	QTY:8PCS

2.1 Assemble crossbeam (Front & Rear)








C1		QTY:2PCS			
C2		QTY:2PCS			
M		QTY:8PCS	N		QTY:8PCS
			O2		QTY:16PCS
				M8×25	

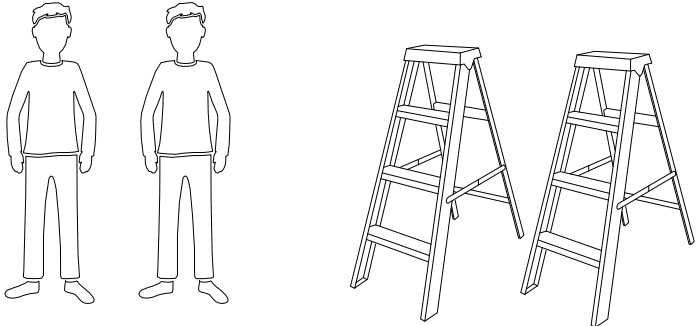
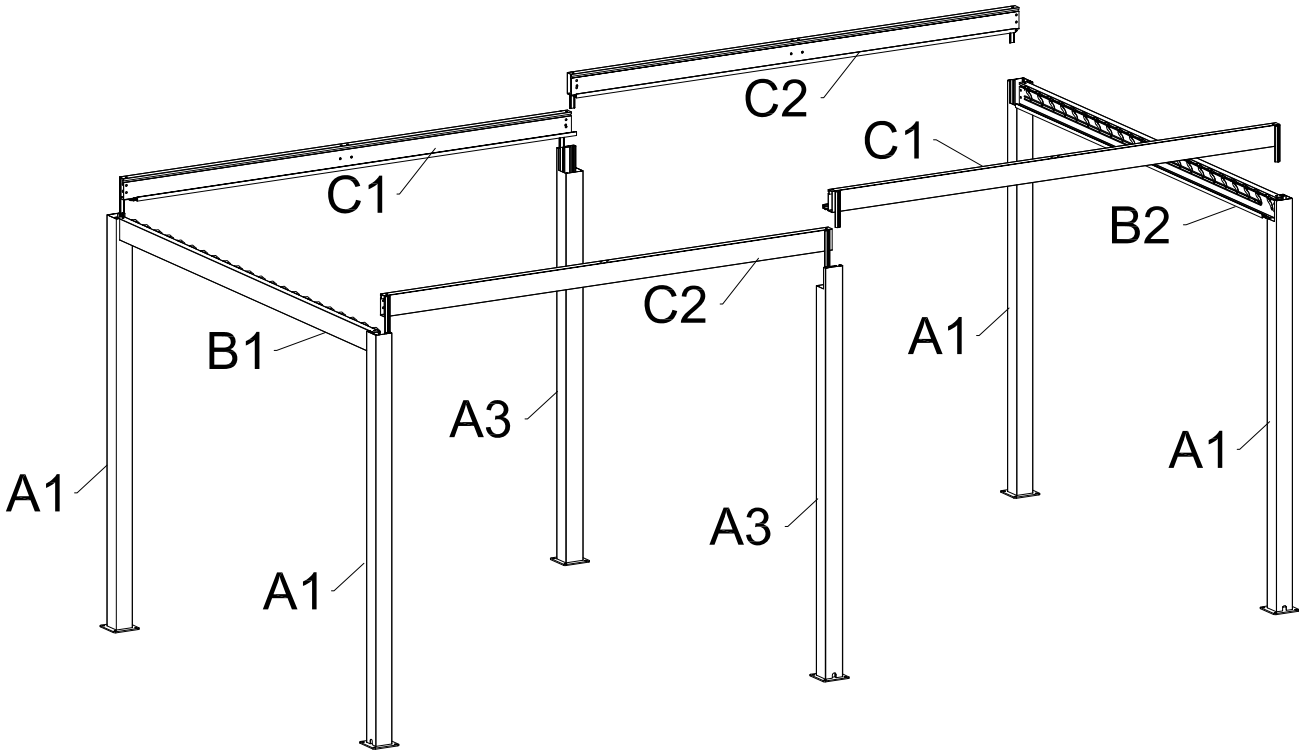
2.2 Assemble **two** crossbeam (Lift & Right)



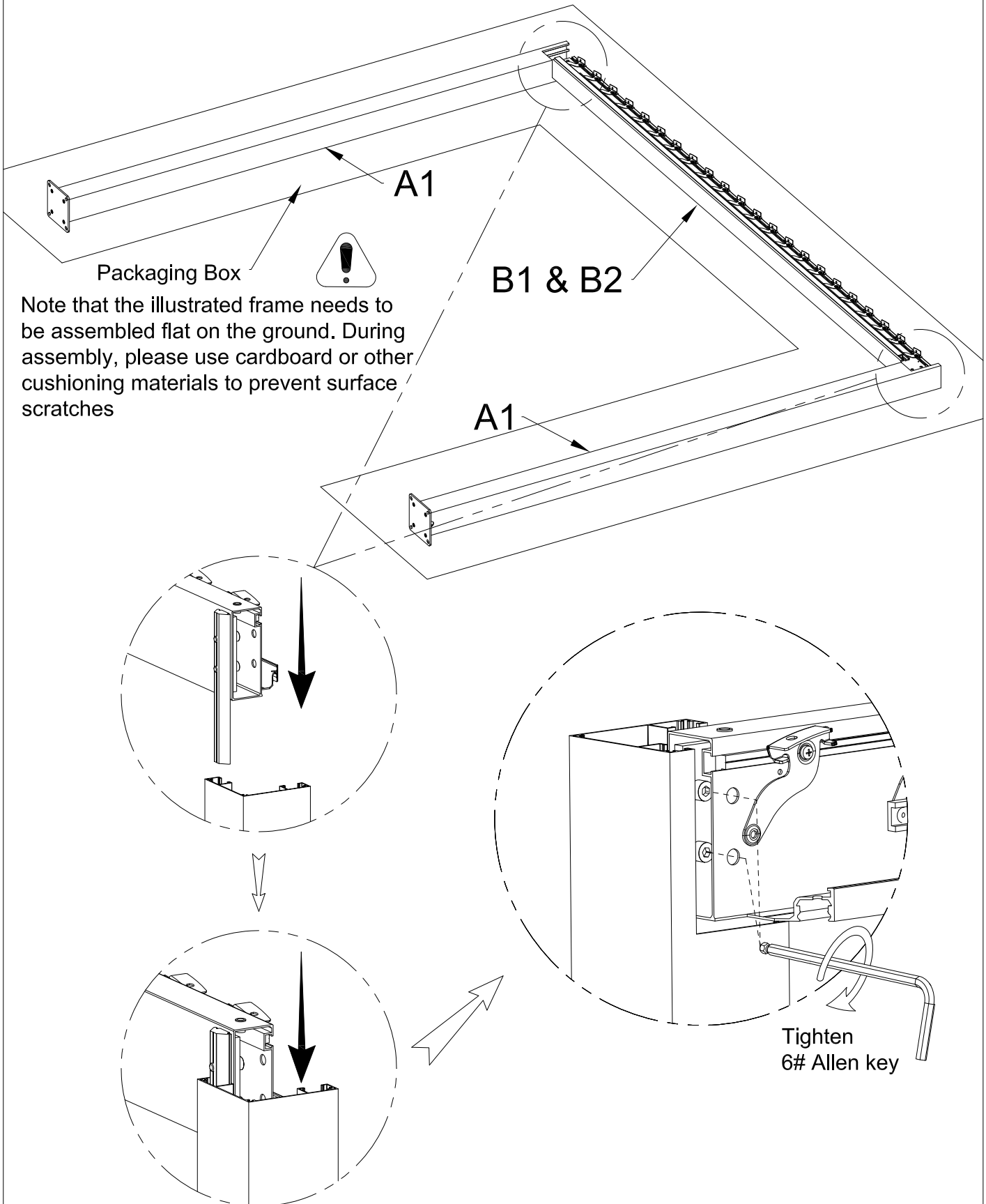
Completion diagram

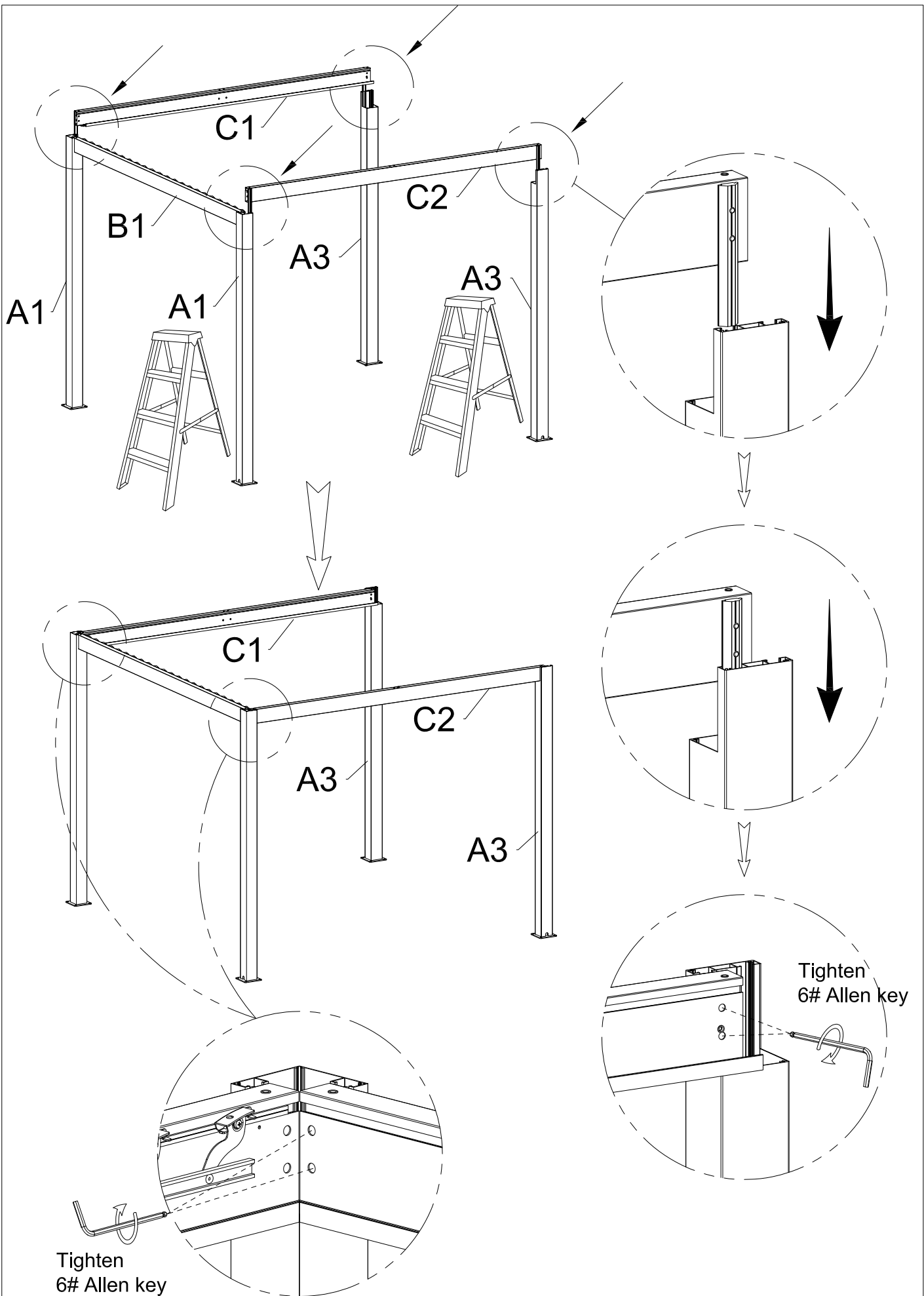
B1		QTY:1PCS			
B2		QTY:1PCS			
M		QTY:4PCS	N		QTY:4PCS
				O2	 M8×25
					QTY:8PCS

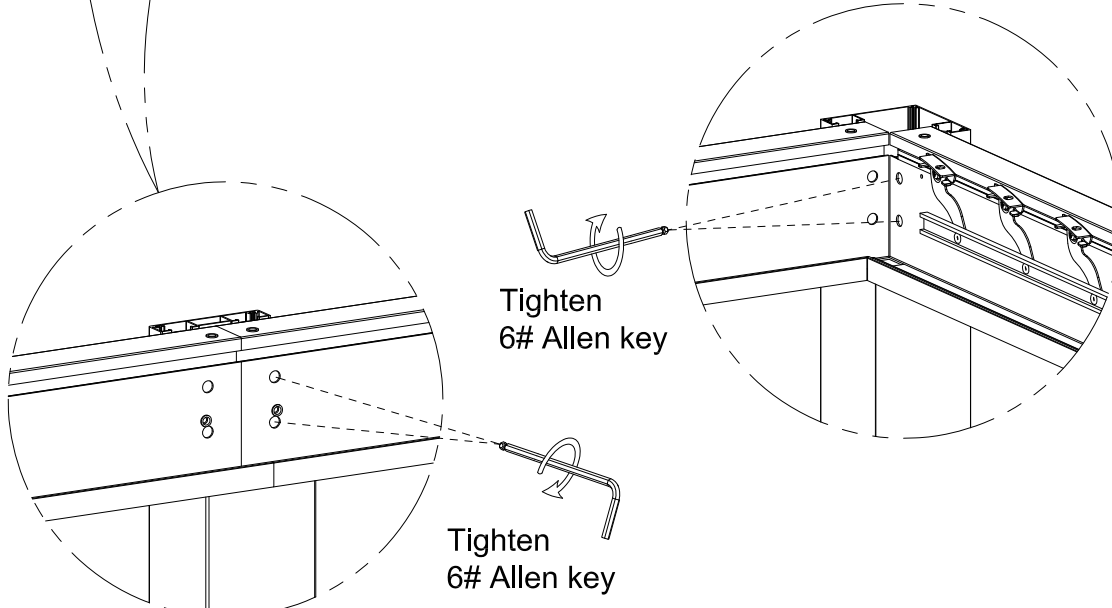
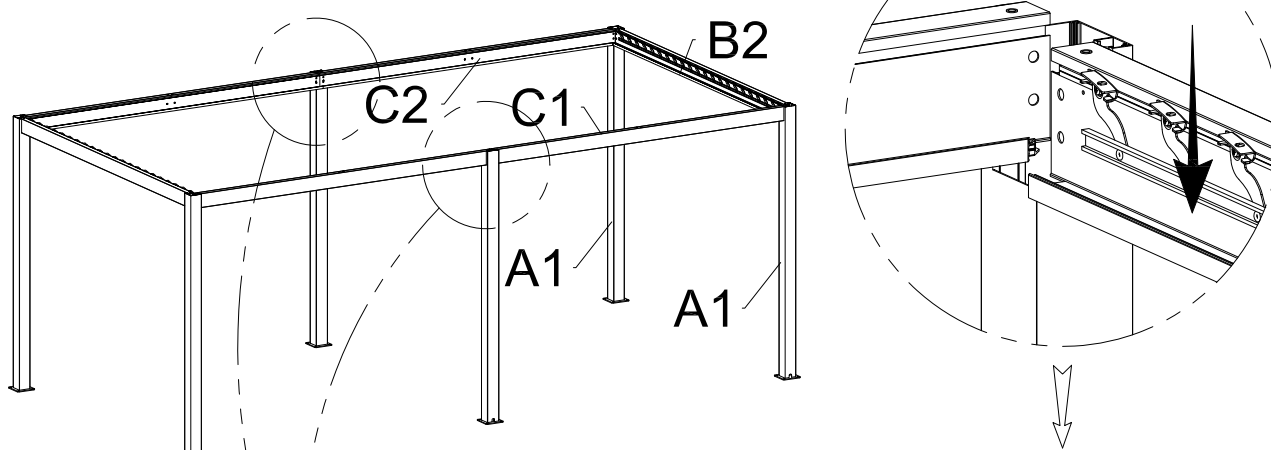
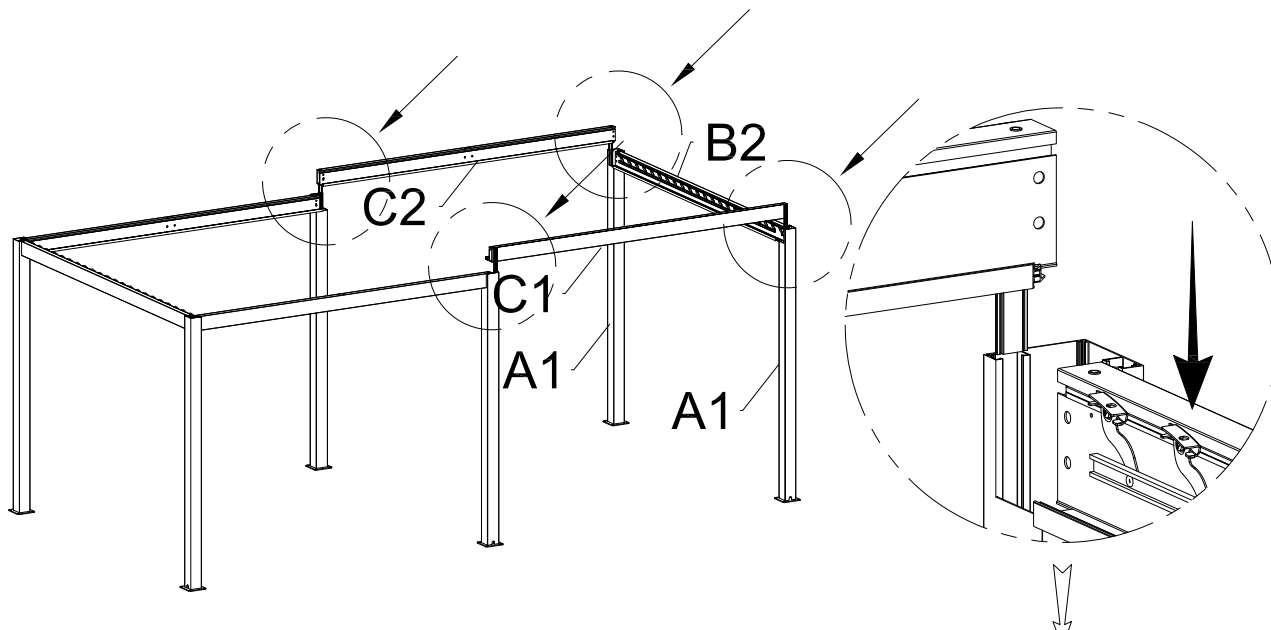
Explosion diagram



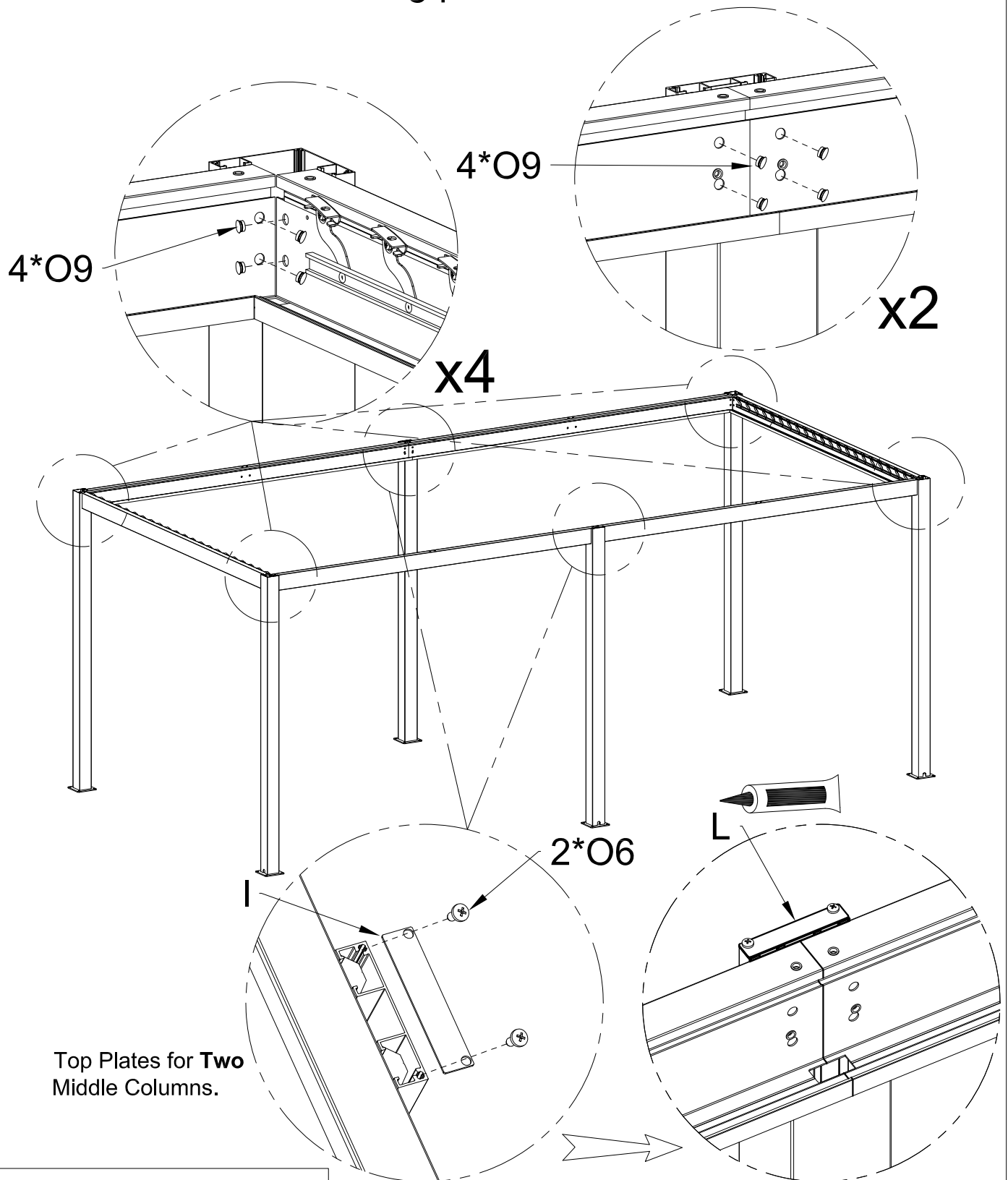
3. Build an overall framework


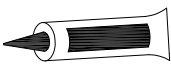

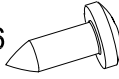




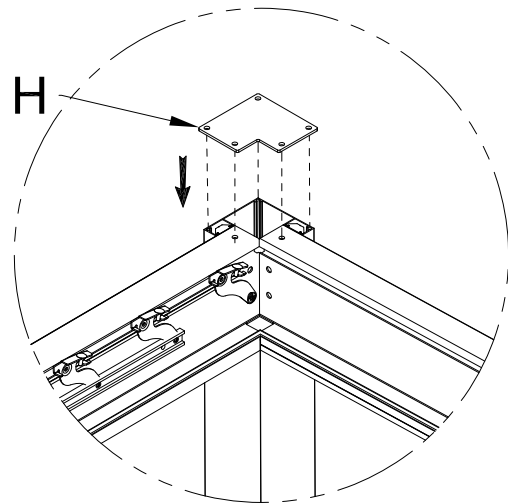


4.1 Install the hole plug and install the center pillar cover plate, glue all seams on the drainage periphery as well as the connecting places of two middle column.



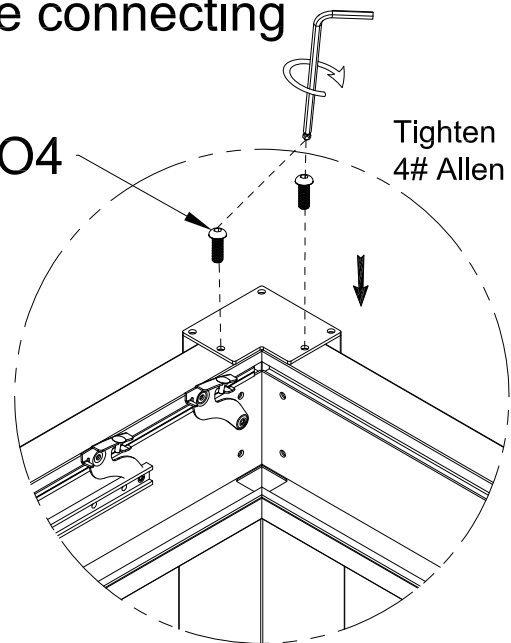
I		QTY:2PCS				
L		QTY:1PCS	O9		QTY:24PCS	O6  QTY:4PCS ST5.5*16

4.2 Install the column cover plate, glue all seams on the drainage periphery as well as the connecting places of four column corners.



step 1

2*O4



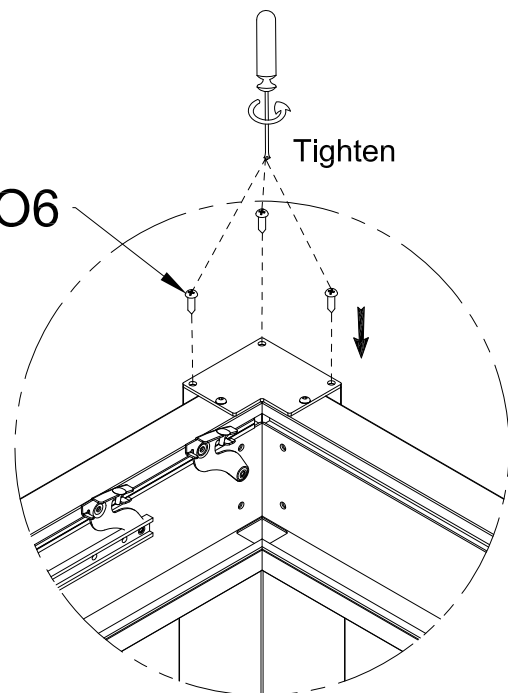
Tighten
4# Allen key

step 2

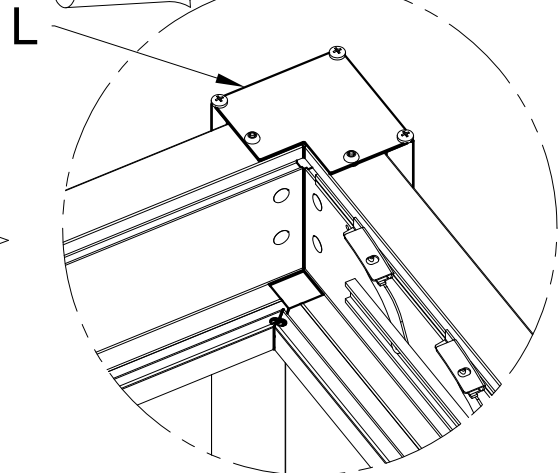
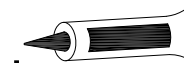
Please make sure to tighten the two internal screws O4 first, and then tighten the remaining three external screws O6. Repeat this operation for the remaining three boards H.

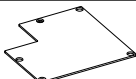

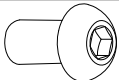
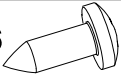


3*O6

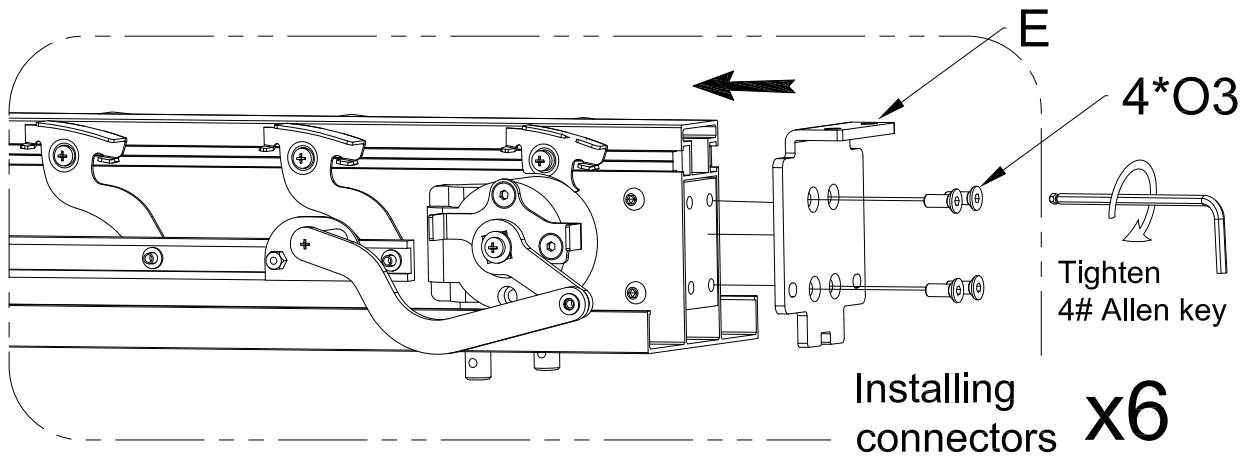
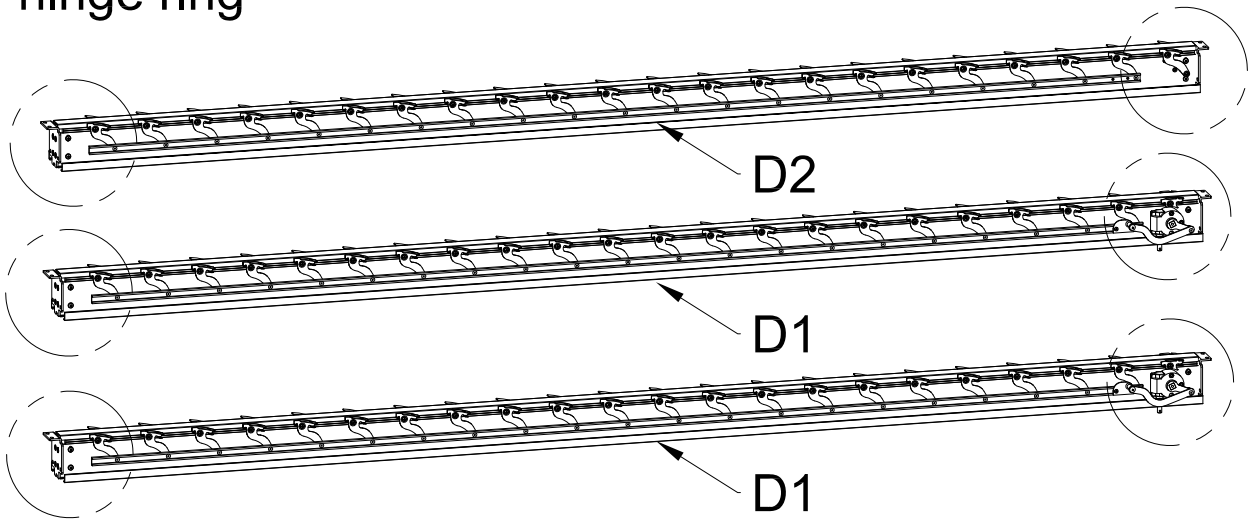


step 3

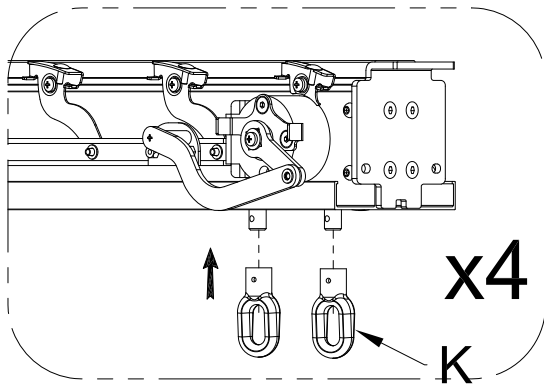


H		QTY:4PCS	L		QTY:1PCS
O4		QTY:8PCS M6*16	O6		QTY:12PCS ST5.5*16

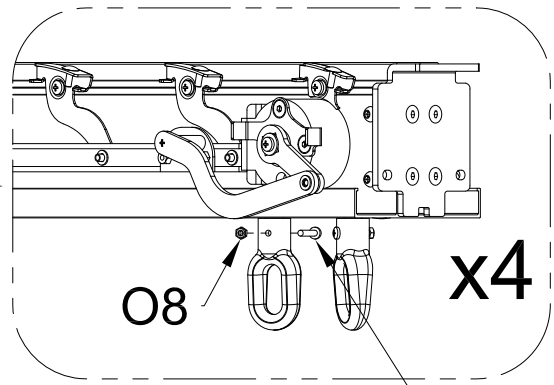
5.1 Install the middle beam connecting plate and hinge ring








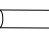

step 1



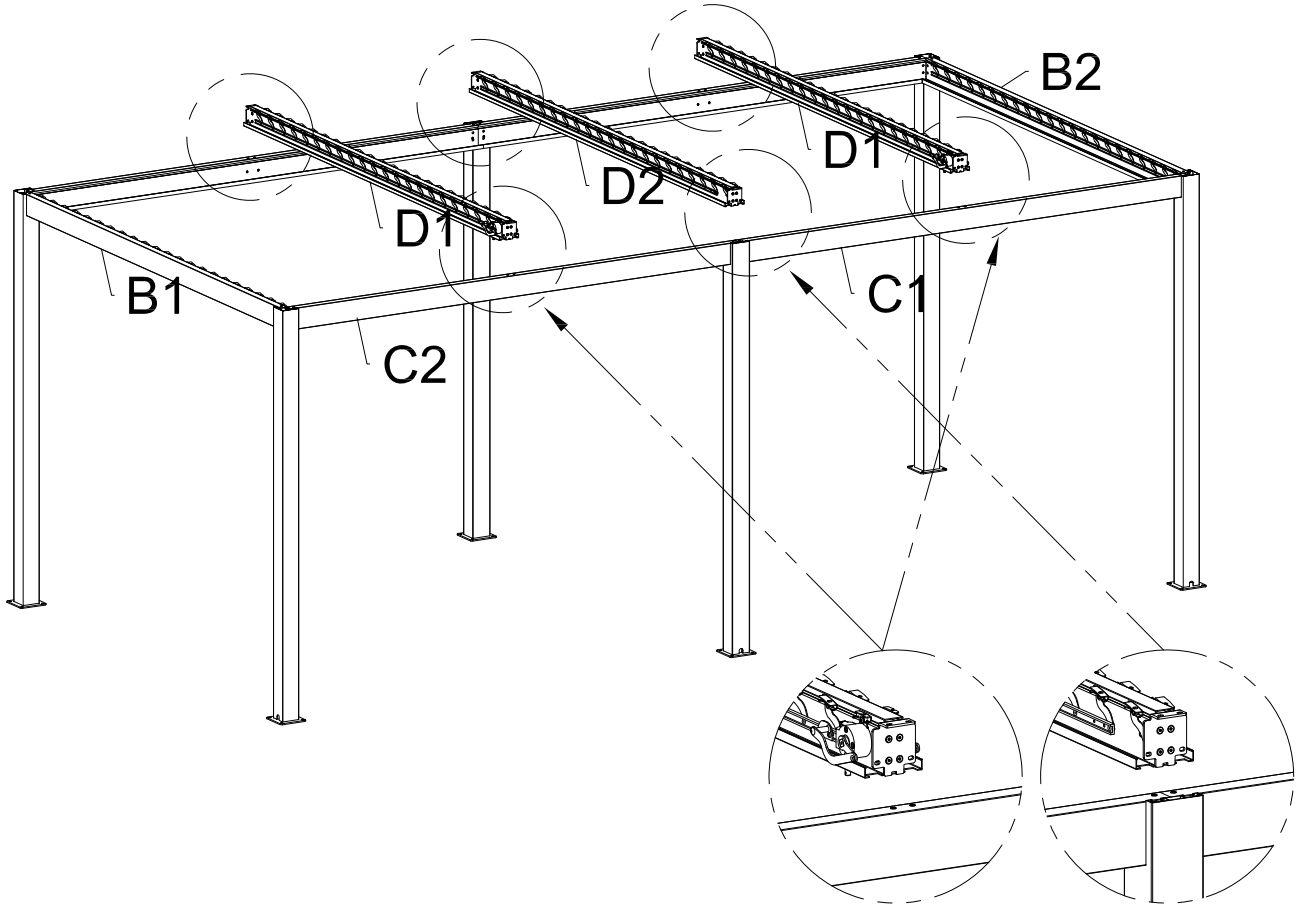
step 2



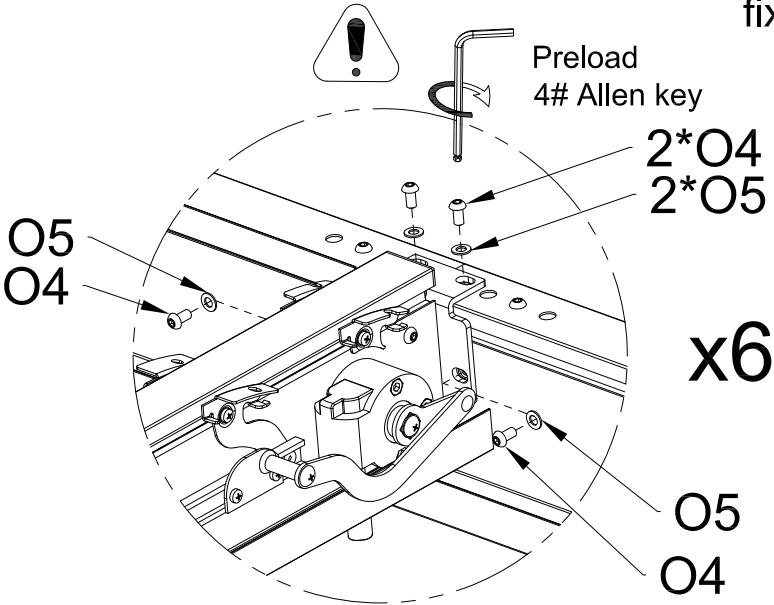
step 3

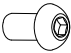

D1		QTY:2PCS			
D2		QTY:1PCS			
E		QTY:6PCS	K		QTY:4PCS
O3		M6×16 QTY:24PCS	O7		M4×20 QTY:4PCS
			O8		M4 QTY:4PCS

5.2 Install the middle crossbeam and note that the fixing screws are in a pre tightened state before installing the blinds

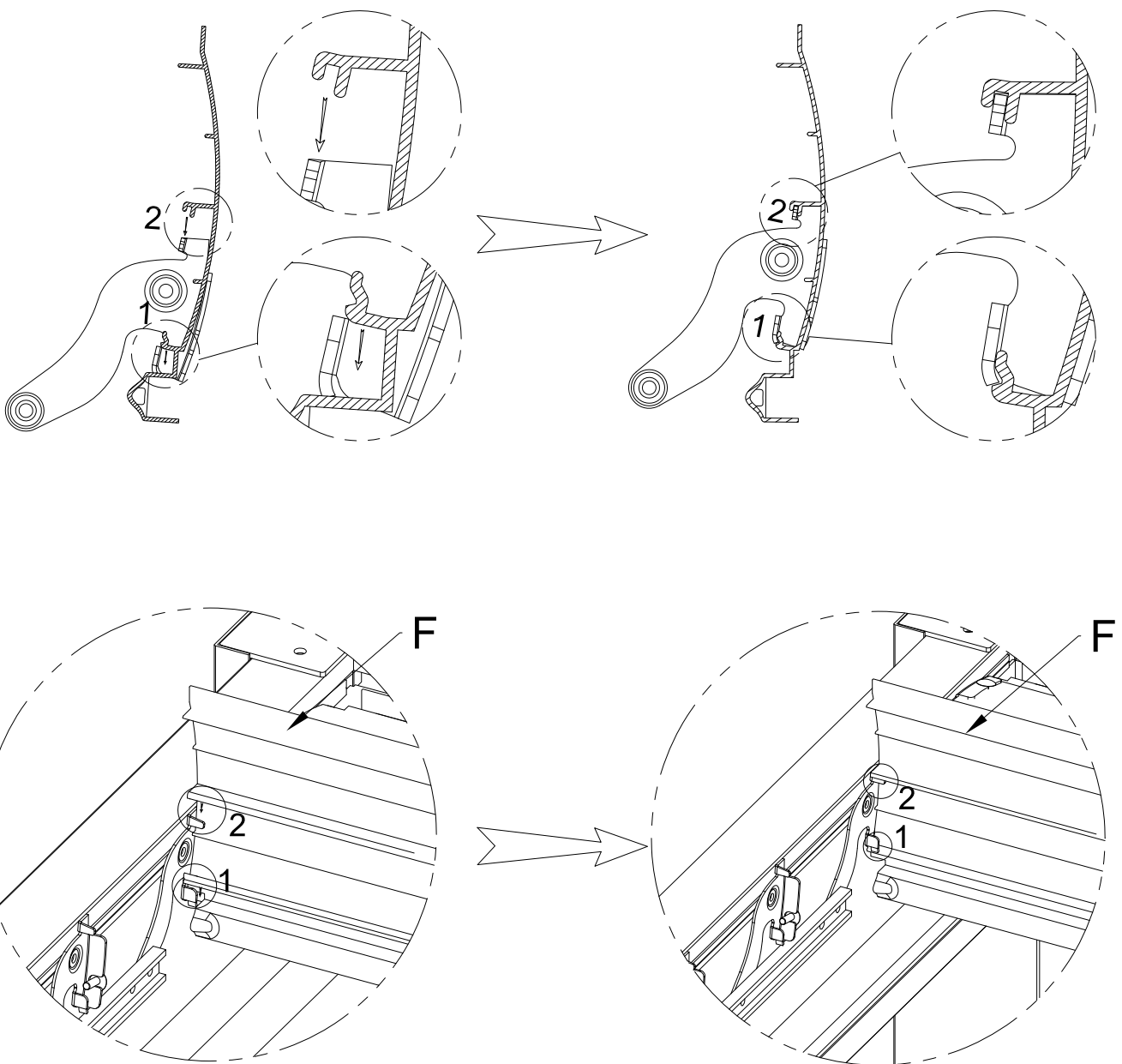


The direction of the arrow is the direction of the gearbox and the fixed louver support components

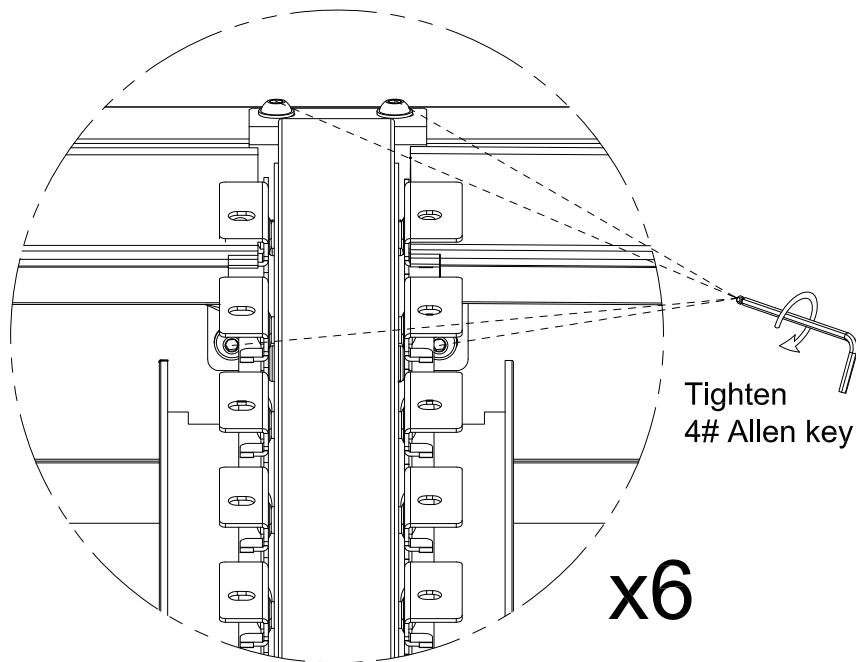
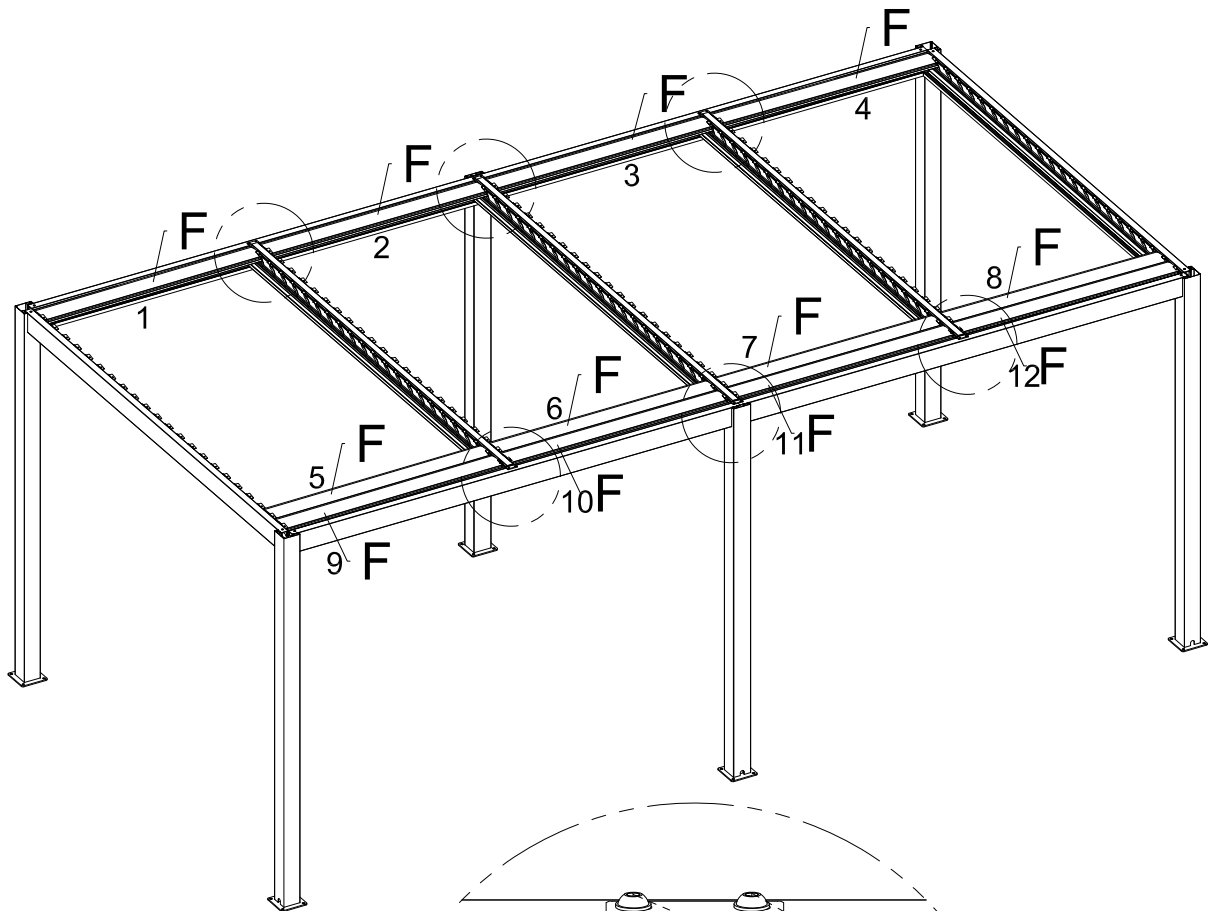


O4		M6×16	QTY:24PCS	O5		φ6	QTY:24PCS
----	---	-------	-----------	----	---	----	-----------

6.1 As shown in the figure, first clip the 12 pcs of louver F onto the tail of the bracket at both ends, then press down the louver to make it clamp and install it in the direction indicated by the arrows of Clamping Position 1 and 2 respectively. Then fasten the louver at the corresponding position as shown in the figure. Check whether it can work smoothly.



6.2 After installing the 12 louvers shown in the diagram, follow step 5.2 to tighten a total of 24 screws in four places



F

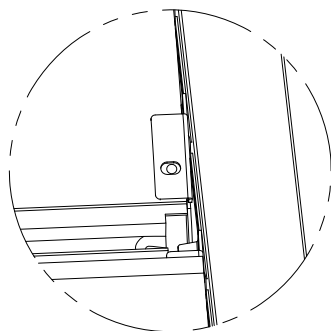
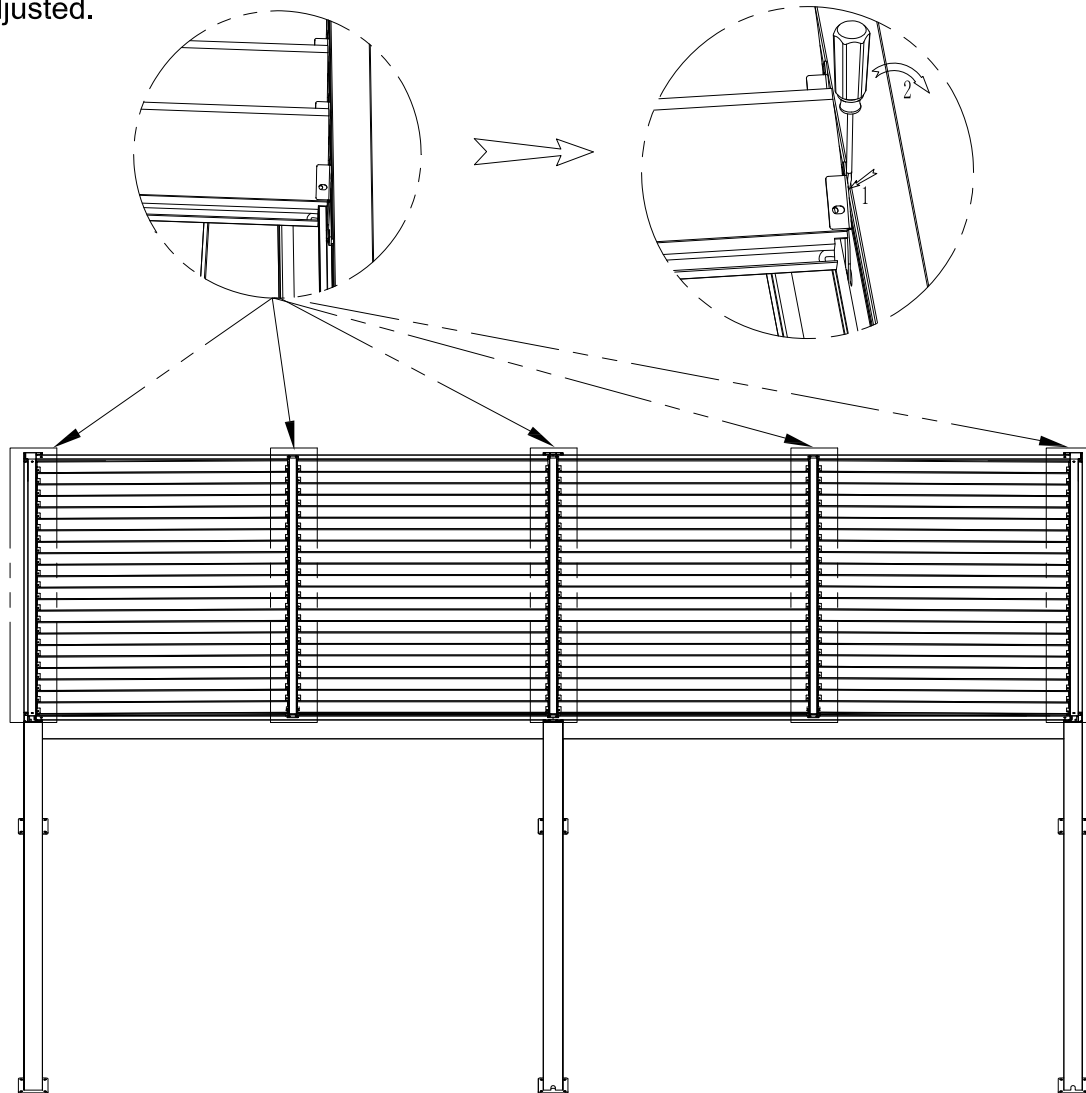


QTY:12PCS

6.3 Insert all louvers and adjust them to the suitable position

1)As shown in the figure, if the holes are not aligned, they need to be adjusted.

2)As shown in the figure, insert a screwdriver at point 1 and pry up the louver support as shown in direction 2 so that the hole of the louver support aligns with the center of the hole of the louver.



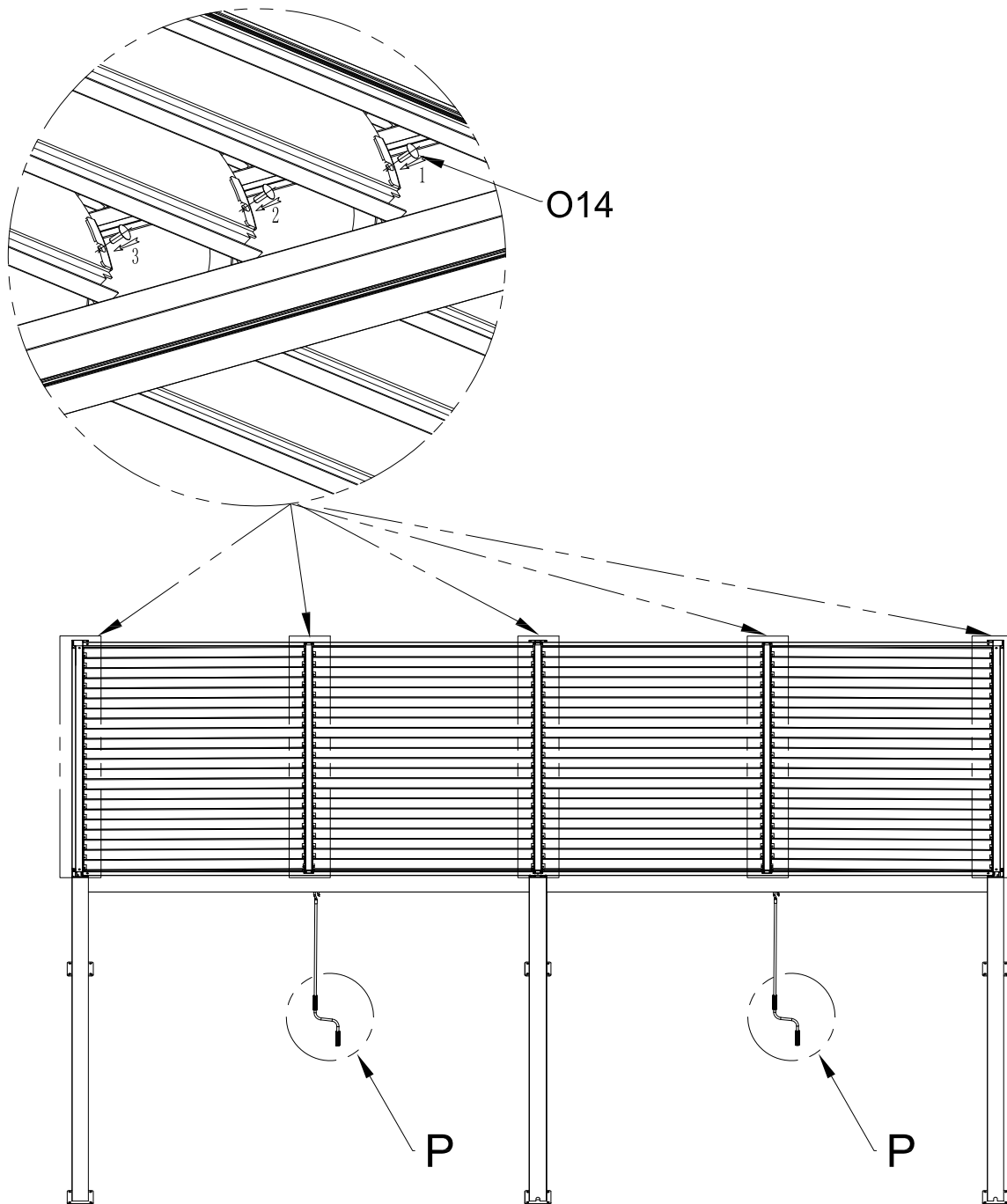
3)After adjustment, the holes of the louver support align with the center of the holes of the louver.

F



QTY:76pcs

6.4 After installing all remaining blinds, install plastic plugs



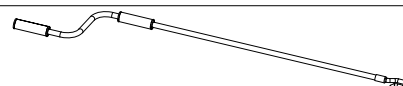
Install the joystick and rotate the blinds at a certain angle to facilitate the installation of plastic plugs

O14



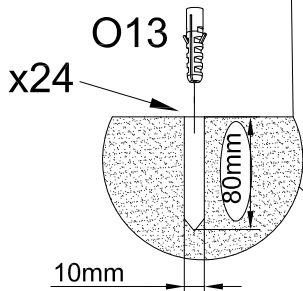
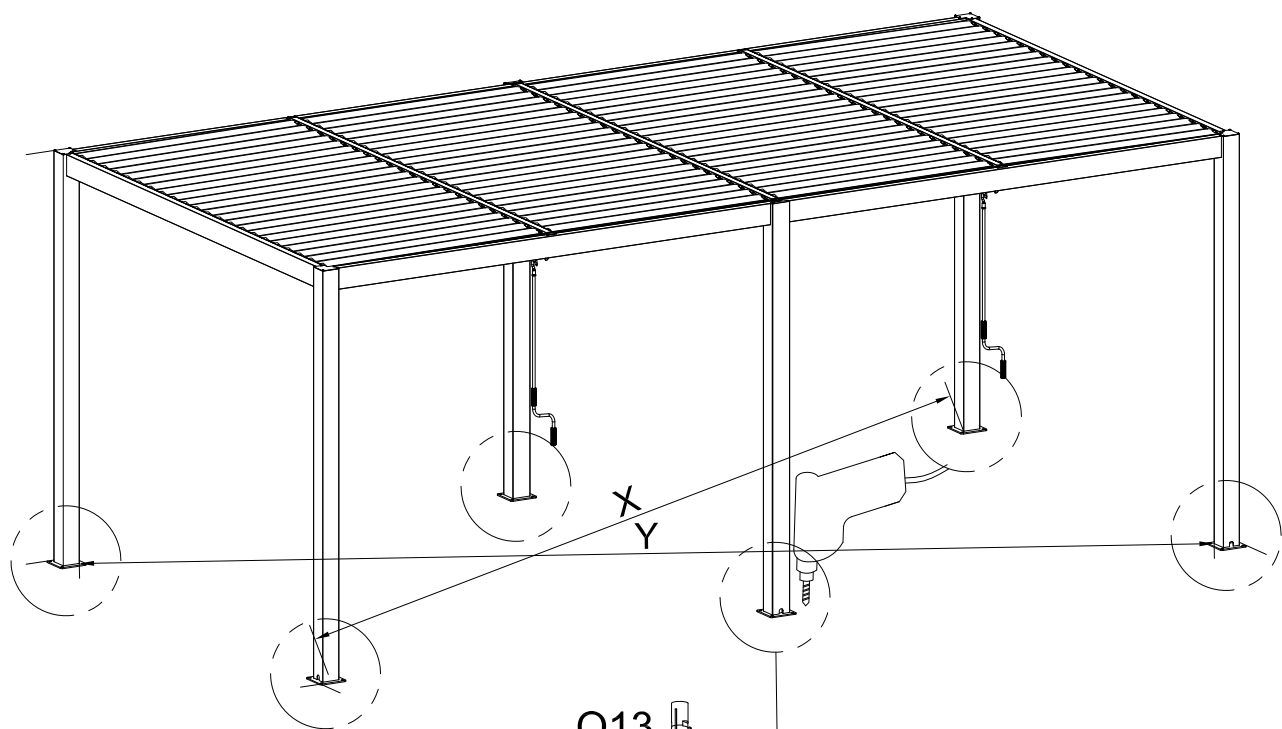
QTY:176PCS


P



QTY:2PCS

7. Fixed column



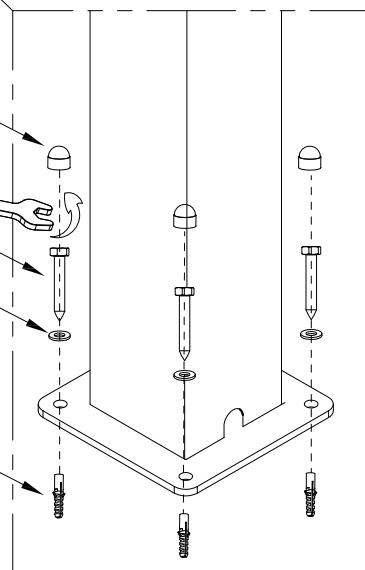
 The length error between X and Y should not exceed 3CM




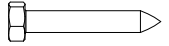


4*O10
Tighten

4*O11
4*O12

4*O13



x6

O10		QTY:24PCS
O11	 M8*75	QTY:24PCS
O12	 φ8*1	QTY:24PCS
O13	 φ10*50	QTY:24PCS