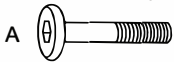




# INSTRUCTION MANUAL

## Before You Begin

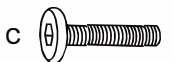
Check to make sure you have the following:



(2) BOLT M6 x 60 mm



(4) BOLT M6 x 15 mm



(2) BOLT M6 x 35 mm



(4) BOLT M8 x 30 mm



(8) WASHER d8.5 x D17 x 1.6



(2) WASHER



(4) JAM NUT M8 x 1.25 mm



(8) WASHER d6.5 x D13 x 1.0



(1) BACK CUSHION

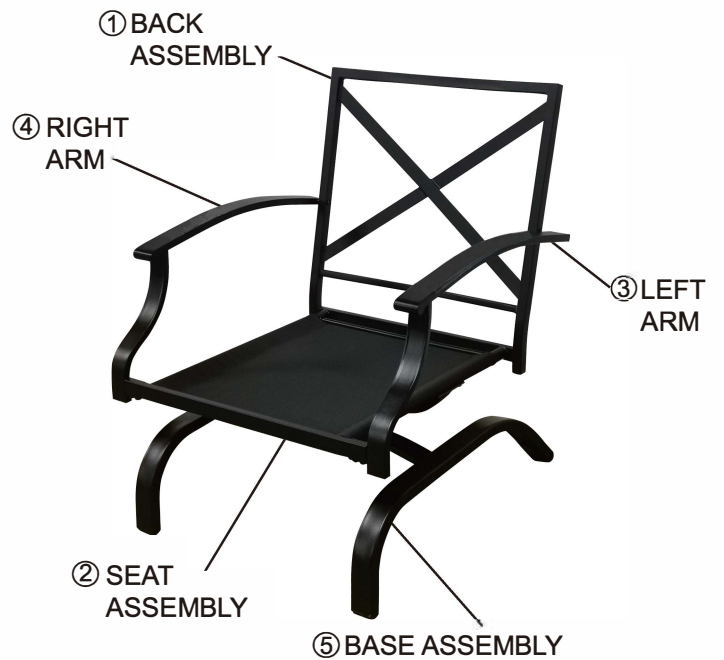


(1) SEAT CUSHION

### Tools

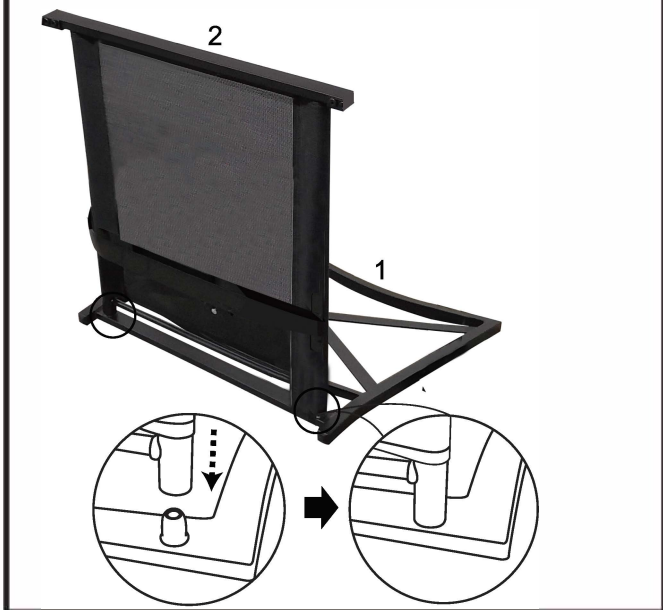


## Part Identity



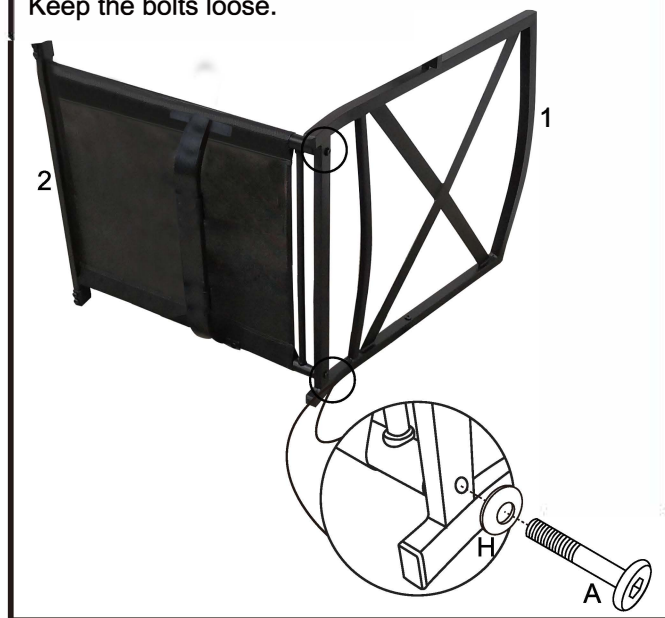
# Assembly Instructions

## STEP 1 PARTS REQUIRED: 1 & 2



## STEP 2 PARTS REQUIRED: 1, 2, A, & H

Keep the bolts loose.

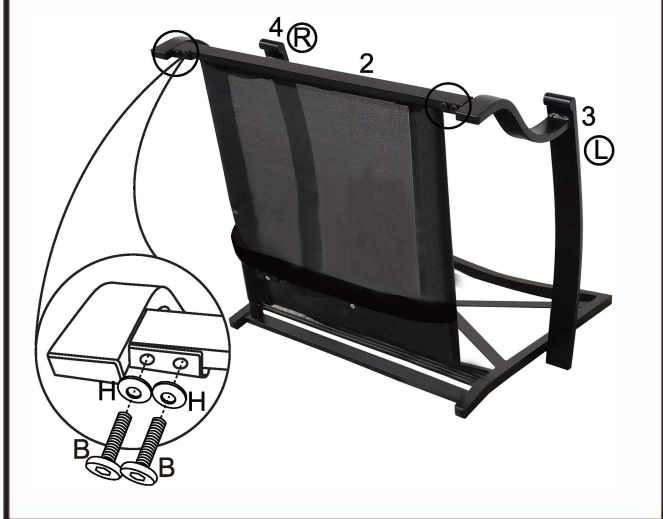


### Attention:

Make sure that each bolt needed for all steps matches the corresponding figure to ensure proper assembly.

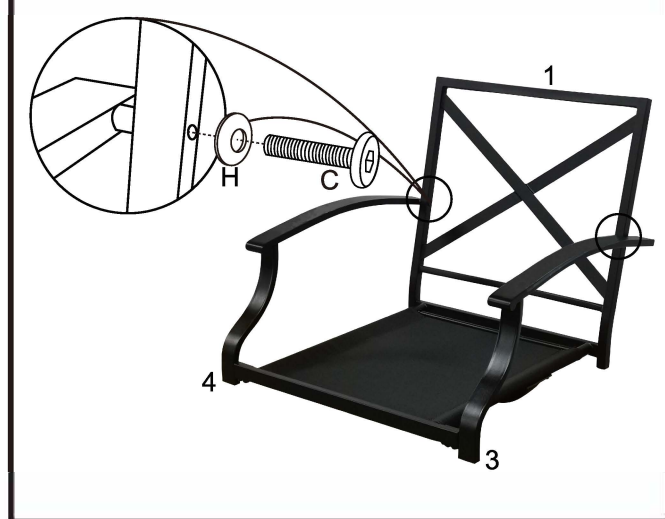
## STEP 3 PARTS REQUIRED: 2, 3, 4, B, & H

Keep the bolts loose.



## STEP 4 PARTS REQUIRED: 1, 3, 4, C, & H

Tighten all bolts by using the supplied Hex key.



### Note:

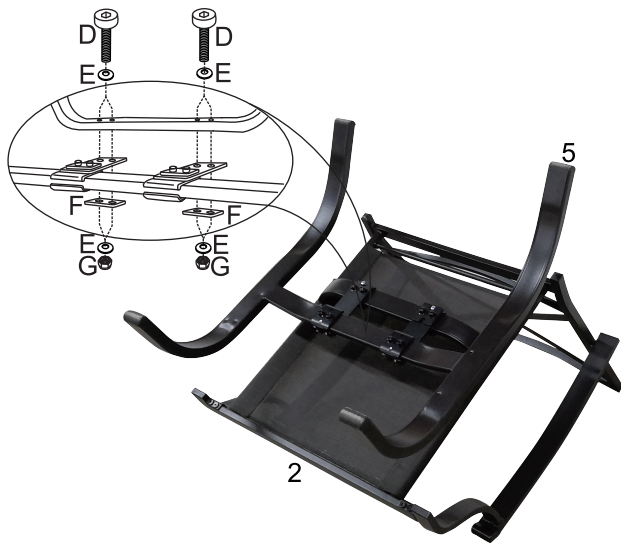
The labels marked "L" and "R" on the arms should coincide with Figure to ensure proper assembly.

# Assembly Instructions

## STEP 5

PARTS REQUIRED: 2, 5, D, E, F, & G

Tighten all bolts by using the supplied Hex key.



## STEP 6

PARTS REQUIRED: I & J



### Care and Maintenance Instructions:

To maintain the beauty of your garden furniture, wipe with a clean, damp cloth before each use.