

Before You Begin

Check to make sure you have the following:



⑬ A (2) SCREW ST4.2 x 16 mm



⑭ B (6) BOLT M6 x 15 mm



⑮ C (4) BOLT M6 x 25 mm



⑯ D (4) BOLT M6 x 40 mm



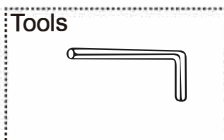
⑰ E (14) WASHER d6.5 x D13 x 1.0



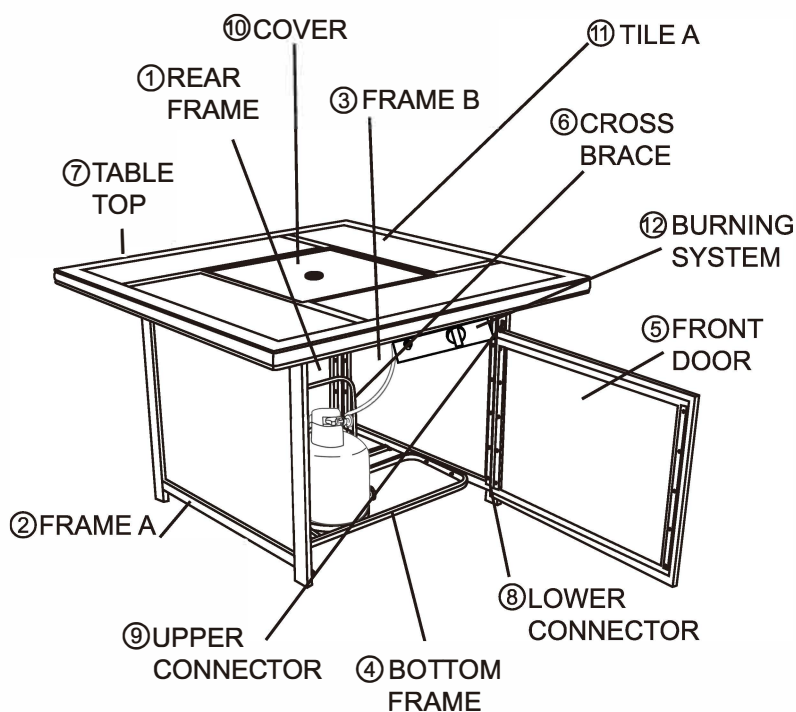
⑱ F (1) LAVA ROCKS



⑲ G (4) BOLT M6 x 10 mm



Part Identity



WARNING

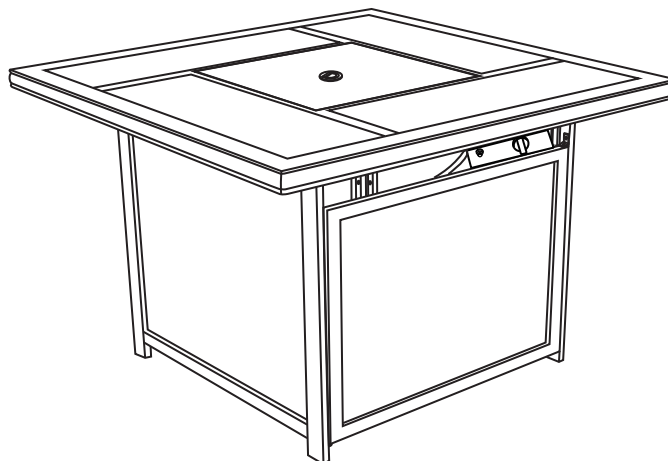
- Use the correct bolts as indicated. Do not tighten any of the bolts until the table is completely assembled.
- Do not sit or stand on this table.
- Do not discard any of the packaging until you have checked that you have all of the parts and fittings required.
- Keep children away during assembly. This item contains small parts that can be swallowed by children.
- Children should always be under direct adult supervision while using this product.
- Retain these assembly instructions for future reference.

ATTENTION: THIS PRODUCT IS NOT FOR COMMERCIAL USE INTENDED FOR RESIDENTIAL USE ONLY.

Preparation

- Remove all parts from packaging. Check your quantities with chart to the left.
- Spread out all parts on a soft, level surface to avoid scratching parts.
- **Do not tighten nuts with wrench until assembly is complete.**

Assembly Instructions



⚠ WARNING: For Outdoor Use Only
Installation and service must be performed by a qualified installer, service agency, or the gas supplier.

- ⚠ Warning:** If the information in this manual is not followed exactly, a fire or explosion may result causing property damage, personal injury, or loss of life.
- Do not store or use gasoline, or other flammable vapors and liquids, in the vicinity of this or any other appliance.
 - An LP-cylinder not connected for use shall not be stored in the vicinity of this or any other appliance.

⚠ DANGER: FIER OR EXPLOSION HAZARD

If you smell gas:

- Shut off gas to the appliance.
- Extinguish any open flame.
- If odor continues, leave the area immediately.
- After leaving the area, call your gas supplier or fire department.

Failure to follow these instructions could result in fire or explosion, which could cause property damage, personal injury, or death.

- ⚠ Warning:** Improper installation, adjustment, alteration, service or maintenance can cause property damage, personal injury or loss of life. Refer to the owner's information manual provided with this appliance. Installation and service must be performed by a qualified installer, service agency, or the gas supplier.

INSTALLER: Leave this manual with the appliance.
CONSUMER: Retain this manual for future reference.

⚠ DANGER



CARBON MONOXIDE HAZARD

This appliance can produce carbon monoxide which has no odor.

Using it in an enclosed space can kill you.

Never use this appliance in an enclosed space; such as a camper, tent, car, or home.

Assembly Instructions

When an appliance is for connection to a fixed piping system, the installation must conform with local codes or, in the absence of local codes, with the National Fuel Gas Code, ANSI Z223.1 NFPA 54; National Fuel Gas Code; Natural Gas and Propane Installation Code, CSA B149.1; or Propane Storage and Handling Code, CSA B149.2, as applicable.

WARNING

Keep the appliance area clear and free from combustible materials, gasoline, and other flammable vapors and liquids.

Solid fuels should not be burned in this gas appliance.

Inspect the hose before each use of the appliance.

The hose assembly must be replaced prior to the appliance being put into operation if there is evidence of excessive abrasion, wear, or if the hose is damaged. The replacement hose assembly is specified in this manual.

The burner must be inspected before each use.

The burner must be replaced prior to the appliance being put into operation if it is evident that the burner is damaged. The replacement burner is specified in this manual.

The burner should always be cleaned:

Disconnect it from the appliance, use a cleaner to remove blockages attached on the ports, and drain the blockages from the gas inlet. A high pressured stream of water may also be used.

WARNING

Do not use this appliance if any part has been under water. Immediately call a qualified service technician to inspect the appliance and to replace any part of the control system and any gas control that has been under water.

This appliance is for outdoor use only in a well-ventilated space and should not be used in a building, garage, or any other enclosed area. Other cylinders may be acceptable for use with the appliance provided that they are compatible with the appliance retention means and accompanied by illustration(s) depicting the cylinder mounted to the appliance utilizing the cylinder retention means and the point of contact between the cylinder and the retention means. The cylinder should be 12 inches in diameter and 18 inches high. The capacity is 20 lbs of propane.

Locate the gas hose and make sure that it is not in any pathways where people may trip over it or in any areas where the hose may be subject to accidental damage.

WARNING

If the appliance is not in use, the gas must be turned off at the supply cylinder.

Storage of an appliance indoors is permissible only if the cylinder is disconnected and removed from the appliance.

Cylinders must be stored outdoors in a well-ventilated area and out of children's reach.

Disconnected cylinders must have a dust cap secured at the end of the valve and cannot be stored in a building, garage, or any other enclosed area.

The pressure regulator and hose assembly supplied with this appliance must be used. Replacement pressure regulators and hose assemblies must be the ones specified in this manual.

WARNING

The cylinder supply system must be arranged for vapor withdrawal.

The cylinder used must include a collar to protect the cylinder valve.

The LP-gas supply cylinder to be used must be:

1. Constructed and marked in accordance with the U.S. Department of Transportation (D.O.T.) Specifications for LP-Gas Cylinders, or the Standard for Cylinders, Spheres and Tubes for Transportation of Dangerous Goods; and Commission, CAN/CSA-B339 as applicable;
2. Provided with a listed overfilling prevention device;
3. Provided with a cylinder connection device compatible with the connection for the appliance.

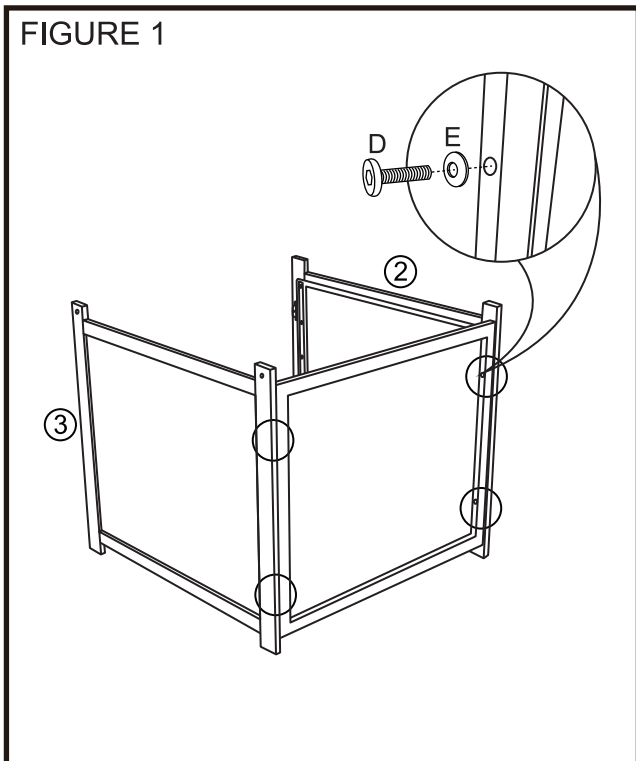
The Procedure for Checking for Gas Leaks:

Never test for leaks with a flame. Prior to first use, at the beginning of each season, or every time your LP gas tank is changed, you must check for gas leaks. Follow these three steps:


1. Make a soap solution by mixing one part liquid detergent and one part water.
2. Make sure that the burner is off and then turn the gas on at source.
3. Apply the soap solution to all gas connections, especially to the inlet/manifold pressure tap on the gas valve after reading the pressure. Bubbles will appear in the soap solution if the gas connections are not properly sealed. If you have a gas leak, tighten gas connections, turn off the gas at the source, disconnect the fuel line from your appliance

Assembly Instructions

FIGURE 1



You will need the following tools:

- Phillips Screwdriver (Not included) 

Attention:

Make sure that each bolt needed for all steps matches the corresponding figure to ensure proper assembly.

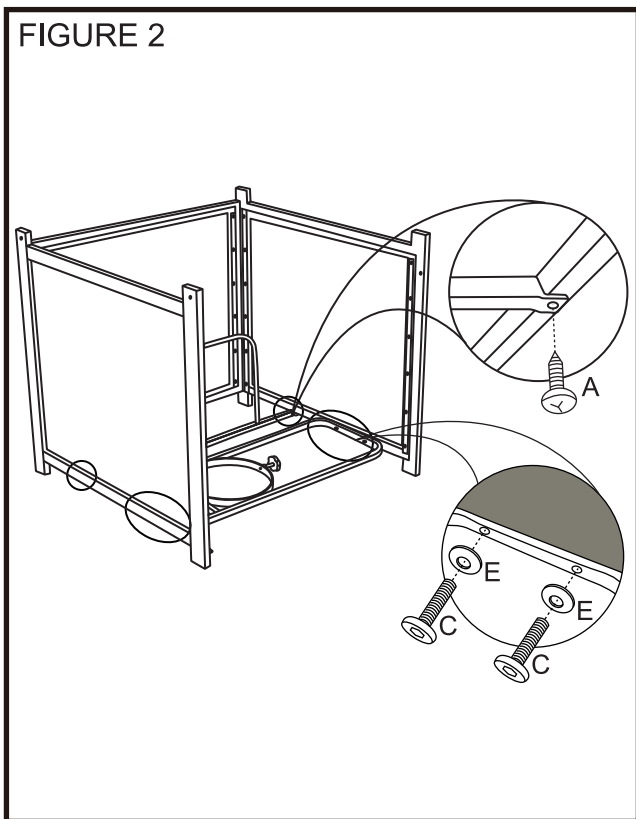
Step 1:

Fasten the frame A and the frame B to the rear frame by using bolts (D) and washers (E). Keep the bolts loose. See Figure 1.

Note:

The labels marked "2" and "3" on the frames should coincide with Figure to ensure proper assembly.

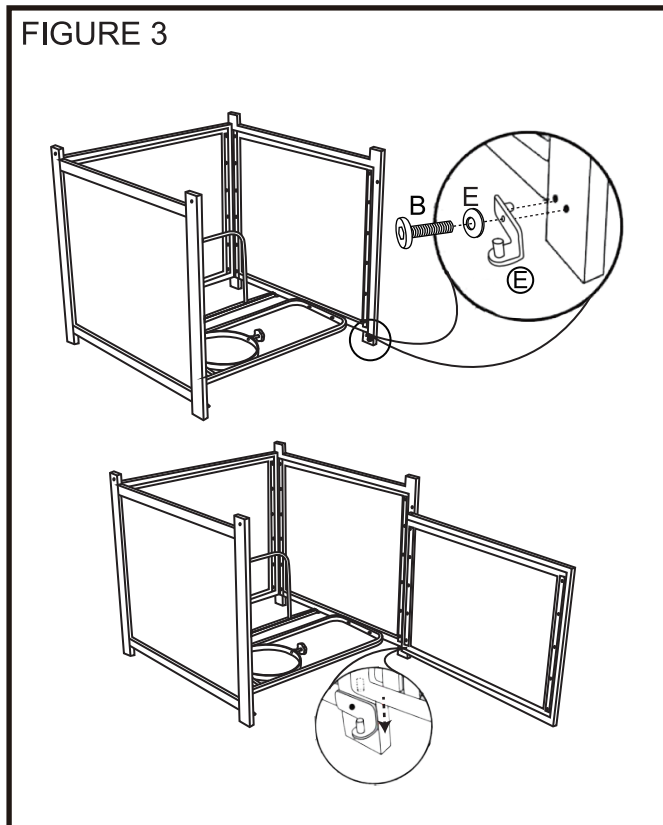
FIGURE 2



Step 2:

Fasten the bottom frame and cross brace to the frames by using bolts (C), washers (E) and screws (A). See Figure 2.

FIGURE 3



Step 3:

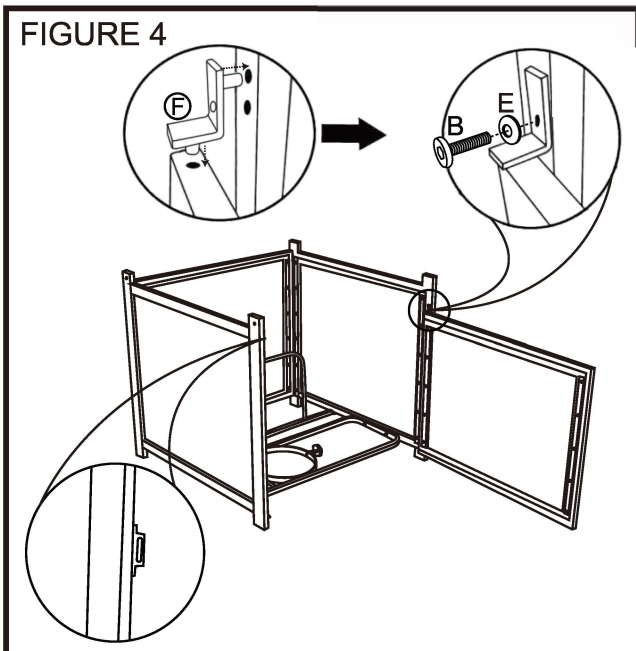
Fasten the lower connector to the corner of the bottom rim of the frame B by using bolt (B) and washers (E). Then, insert the front door into the connector tab of the lower connector. See Figure 3.

Note:

The lower connector is marked with an "E".

Assembly Instructions

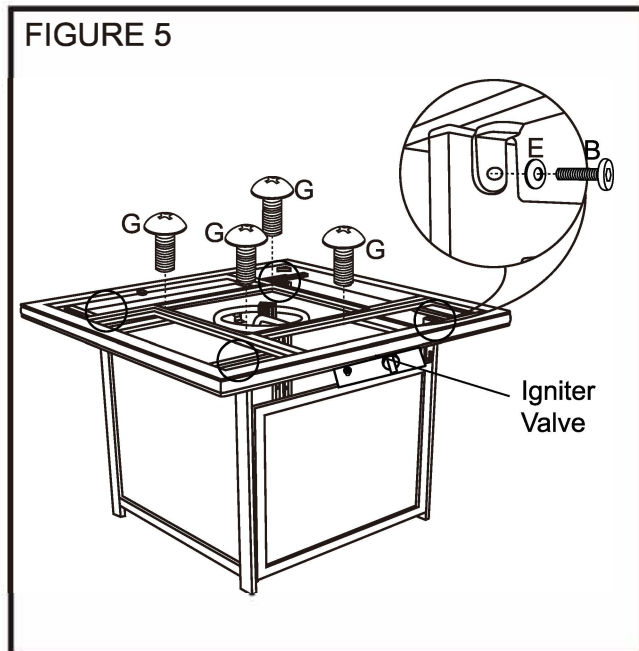
FIGURE 4



Step 4:
Insert the upper connector into the holes of the front door. Fasten the upper connector to the frame B by using bolt (B) and washers (E). Completely tighten all of the nuts and bolts. Close the doors. See Figure 4.

Note:
Shut the doors lightly. Do not slam the doors to close.

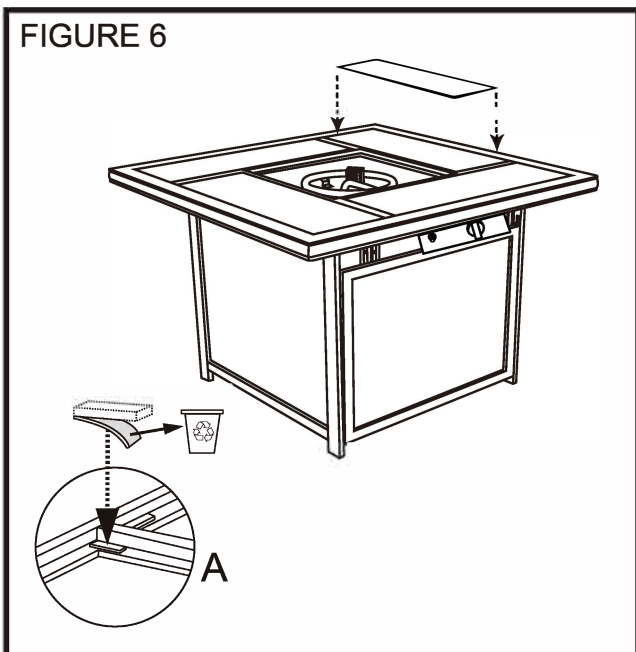
FIGURE 5



Step 5:
Place the table top onto the frame assembly. Fasten them together by using bolts (B) and washers (E). Fasten the burning system to the table top by using bolts (G). Make sure that all of the bolts have been tightened completely. See Figure 5.

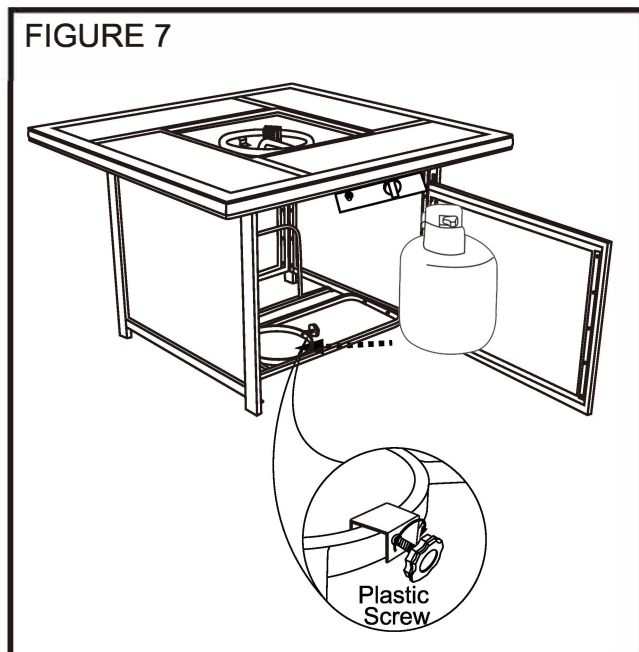
Note:
The igniter valve should be facing towards the front left side of the appliance.

FIGURE 6



Step 6:
Place the tiles onto the table top. See Figure 6.

FIGURE 7

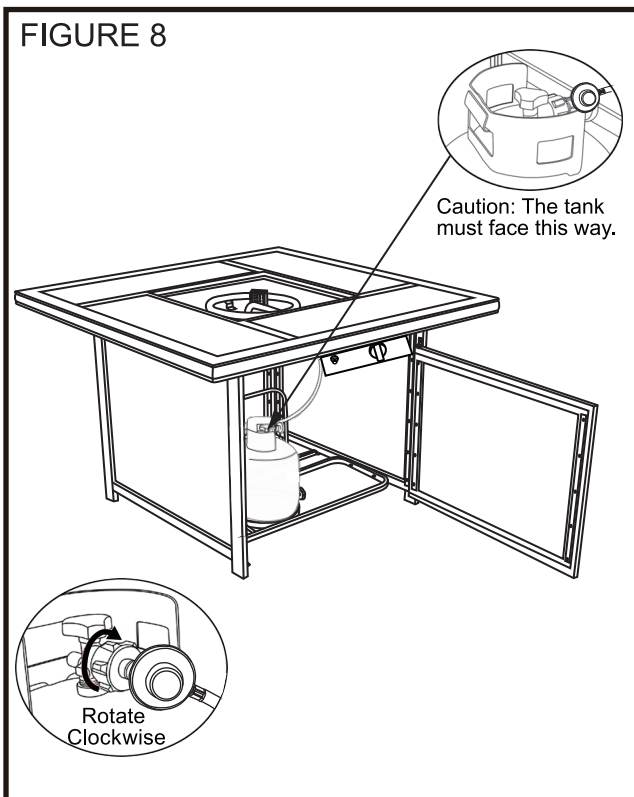


Step 7:
Open the front door and place the tank into the bottom frame. Secure in place by using the plastic screw. See Figure 7.

Note:
Secure the tank in place by turning the plastic screw clockwise as illustrated above.

Assembly Instructions

FIGURE 8



Step 8:
Attach the burning system to the tank by rotating clockwise to its connector. See Figure 8.

FIGURE 10

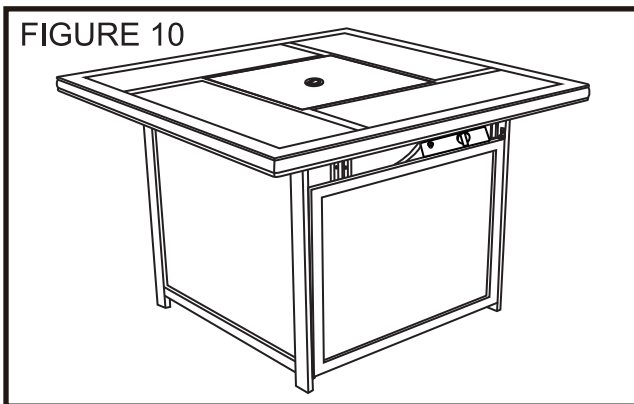
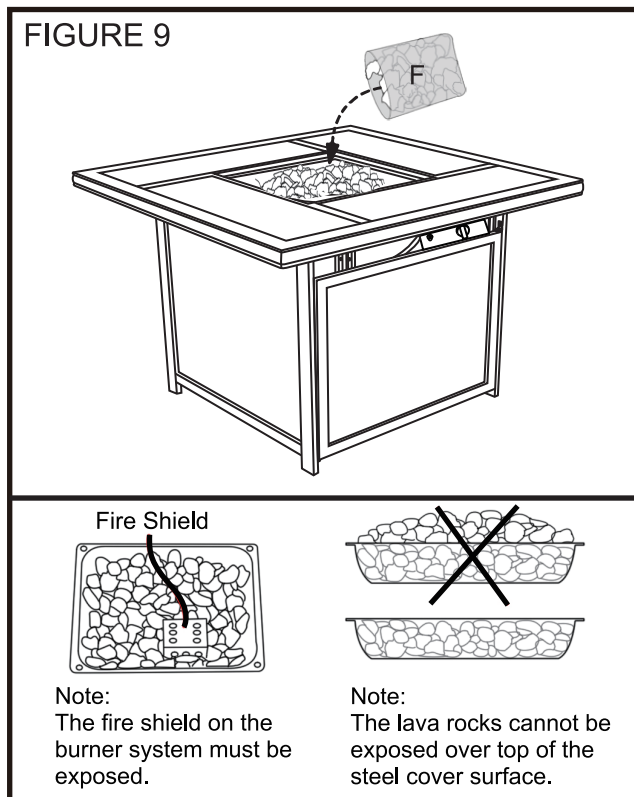


FIGURE 9



Step 9:
Place the lava rocks (F) into the steel bowl. See Figure 9.

Step 10:
Place the cover onto the table top to cover the lava rock set. See Figure 10.

Note:
In order to protect the burner system, when the fire is not in use and on rainy days, the cover should be used.

WARNING:

Failure to position the parts in accordance with these diagrams or failure to use only parts specifically approved with this appliance may result in property damage or personal injury.

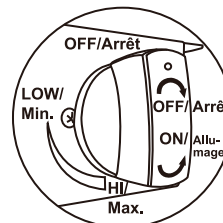
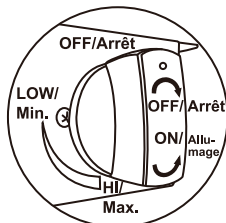
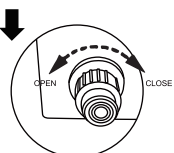
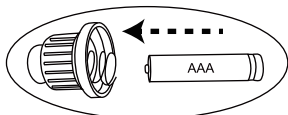
SPECIFIC WARNINGS:

- 1) Both children and adults should be aware of the hazards of high surface temperatures and should keep their distance in order to avoid burns and ignition of clothing.
- 2) Children should be under adult supervision when in the vicinity of this appliance.
- 3) Clothing or any other flammable materials should not be hung from or near this appliance.
- 4) Any guard or protective device removed for servicing the appliance must be replaced prior to use.
- 5) Installation and repair should be done by a qualified person. The appliance should be inspected before use and at least annually by a qualified service technician. Frequent cleaning may be required. It is imperative that the control compartment, burners, and circulating air passageways of the appliance be kept clean at all times.

Assembly Instructions

Read the following switch usage instructions for lighting and to extinguish:

Switch Usage Instruction



Step 1: Lighting

Open the igniter button and install an AAA battery (not included), then secure the cap back on. Before use, make sure that the control knob is in the "OFF" position. Turn the LP cylinder gas valve to fully open position. Press down on the control knob and turn counter clockwise to the "LOW" position. Push in the gas control knob all the way and hold. Continue to press the ignition button for 15 seconds.

Step 2: Adjusting and Shutting Down

If the burner is not lit, press down the control knob and turn clockwise to the "OFF" position. Repeat step 1 after 5 minutes. When the burner is lit, press down the control knob and turn it to the desired heat output position between "LOW" and "HIGH". Press down and turn the control knob clockwise to the "OFF" position to shut down the appliance. Turn off the cylinder gas valve.

Note: To extinguish the flame, push the control knob in and rotate clockwise.

CARE AND MAINTENANCE:

1. Do not use aerosol polish or any other flammable material to clean the burner while it is in use.
2. Inspect and clean the burner regularly. Use a wire-bristle brush to clean the burner surface. A straightened paper clip is useful to remove debris or rust from the small burner ports.
3. Wash frame parts with mild soap and water, rinse thoroughly, and dry completely. Do not use bleach, acid, or any other solvents on the frame parts.
4. Inspect and tighten all of the bolts and fasteners on a regular basis to ensure the proper performance and safety of your appliance.
5. When not in use, we recommend that it be stored in a dry and secure area. Always disconnect the LP gas tank first and store it safely outside.
6. The minimum clearance from the sides, rear, and top of unit to adjacent combustible construction: 2' (61 cm) from the sides, 2' (61 cm) from the rear, and 5' (152.5 cm) from the top.
7. Improper lighting operations will cause serious injury and explosion.

TYPES OF GAS

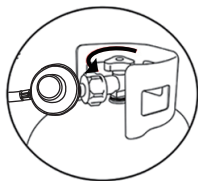
PROPANE GAS

Min. Gas supply for input Adj.	25 psi
Maximum Inlet Pressure	250 psi
Manifold Pressure	11 in.w.c
Gas Rating	46,000 Btu/hr

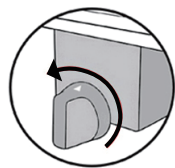
Caution:

The gas pressure regulator provided with this appliance must be used. This regulator is set for an outlet pressure of 11 inches water column.

Assembly Instructions



Step 3

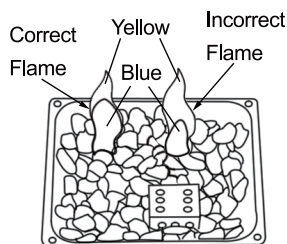


Step 4

Instructions for lighting and shutting down the appliance:

1. Read instructions before lighting.
2. Press down the control knob to "LOW", at the same time push in the ignition button and keep the button depressing for 15 seconds.
3. If the burner is not lit in 5 seconds, press down the control knob and turn clockwise to the "OFF" position. Repeat from step 2 after 5 minutes.
4. Adjust flame to desired height with the control knob.

Use of your appliance causes carbon residue to build up on the lava rocks inhibiting the airflow and leading to a more yellow flame. Stir up the lava rocks regularly to remove these deposits and maintain a blue flame.



WARNING

Very hot while in operation!

Never lean over the appliance while it is in use. Do not touch the stone or the spark guard while the appliance is in operation. Wait until the appliance has cooled down after use.

Failure to comply with these instructions may result in serious bodily injury.

SAFETY INSTRUCTIONS

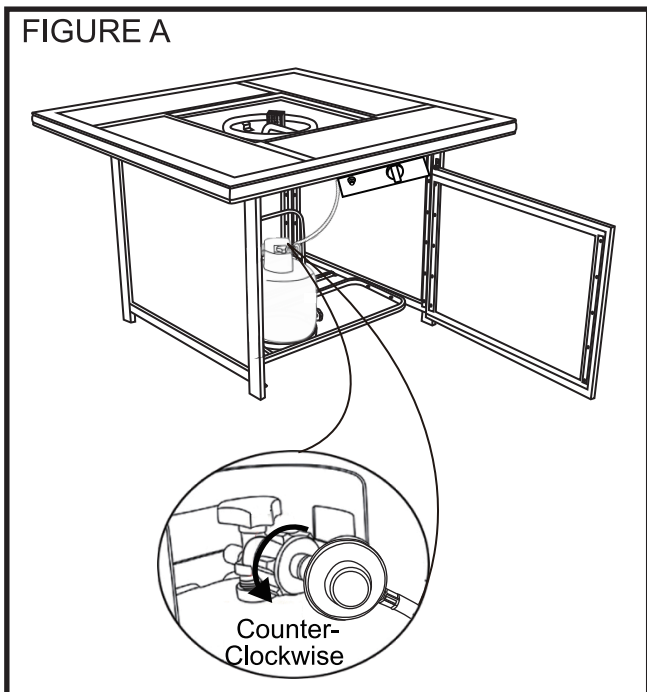
This outdoor appliance is not intended to be installed in or on recreational vehicles and/or boats.

1. Only use the regulator with hose assembly supplied with your appliance. A replacement regulator with hose assembly must be the one specified in this manual.
2. Have your LP gas tank filled by a reputable propane gas dealer and visually inspected and requalified at each filling.
3. Never fill the gas tank beyond 80 percent full. Have your propane gas dealer check the release valve after every filling to ensure that it remains free of defects.
4. Always keep LP gas tanks in an upright position. Do not store (or use) gasoline or other flammable vapours and liquids in the vicinity of this appliance.
5. LP gas tanks not connected for use must NOT be stored inside of the appliance or in the vicinity of this or any other gas appliance.
6. Do not subject the LP gas tank to excessive heat. Never store an LP gas tank in a garage or any other indoor location. Always disconnect the LP gas tank first and store it safely outside.
7. LP gas tanks must be stored outdoors in a well-ventilated area and out of children's reach. Disconnected LP gas tanks must not be stored in a building, garage, or any other enclosed area.
8. When your appliance is not in use, the gas must be turned off at the gas tank.
9. The regulator with hose assembly should be inspected before each use. If there is excessive wear, any abrasions, or if the hose is cut, it must be replaced prior to use of the appliance.
10. Keep the gas regulator hose away from hot surfaces. Avoid unnecessary twisting of the hose. Visually inspect the hose for cuts, cracks, excessive wear, or damage prior to each use of the appliance.
11. Never allow children to play near your appliance.

Assembly Instructions

INSTRUCTIONS FOR REMOVING THE TANK

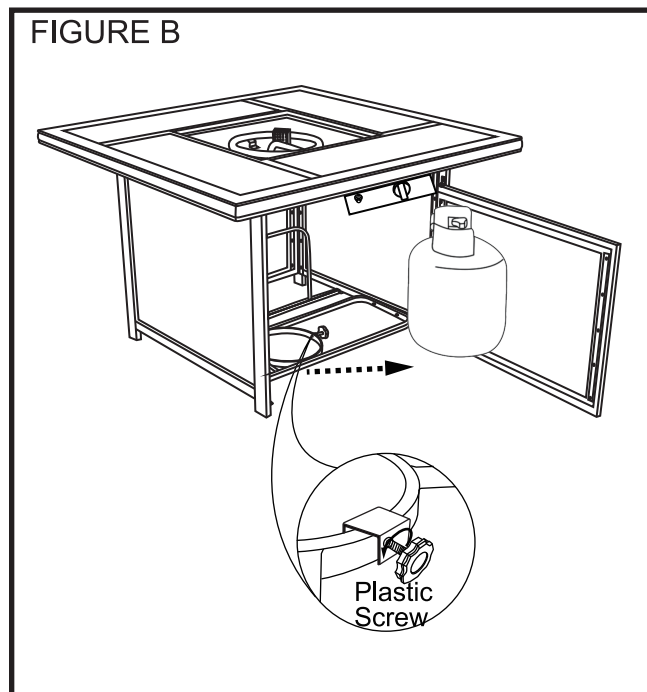
FIGURE A



Note:
Close the valve tightly before removing the tank.

Step A:
To remove the fuel supply hose from the tank, rotate counter-clockwise. See Figure A.

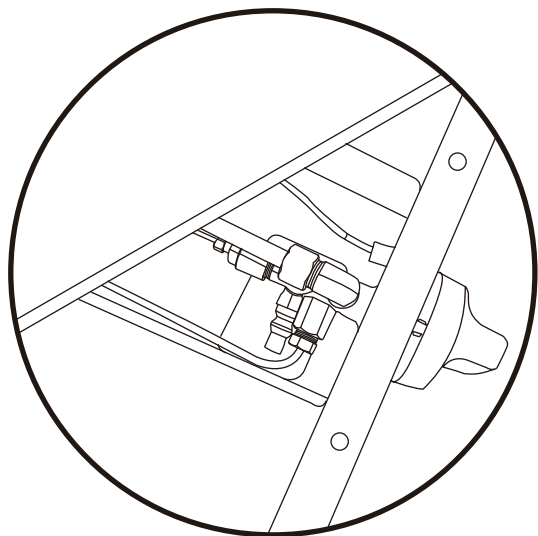
FIGURE B



Step B:
Remove the tank from the tank-support assembly and through the tank fastener. See Figure B.

Note:
To replace the tank, repeat Step 7 and Step 8 in the assembly instructions.

CARE INSTRUCTIONS



NOTE:
You must make periodic checks to ensure that all connections are secured.

NOTE:
Keep this manual for future reference.