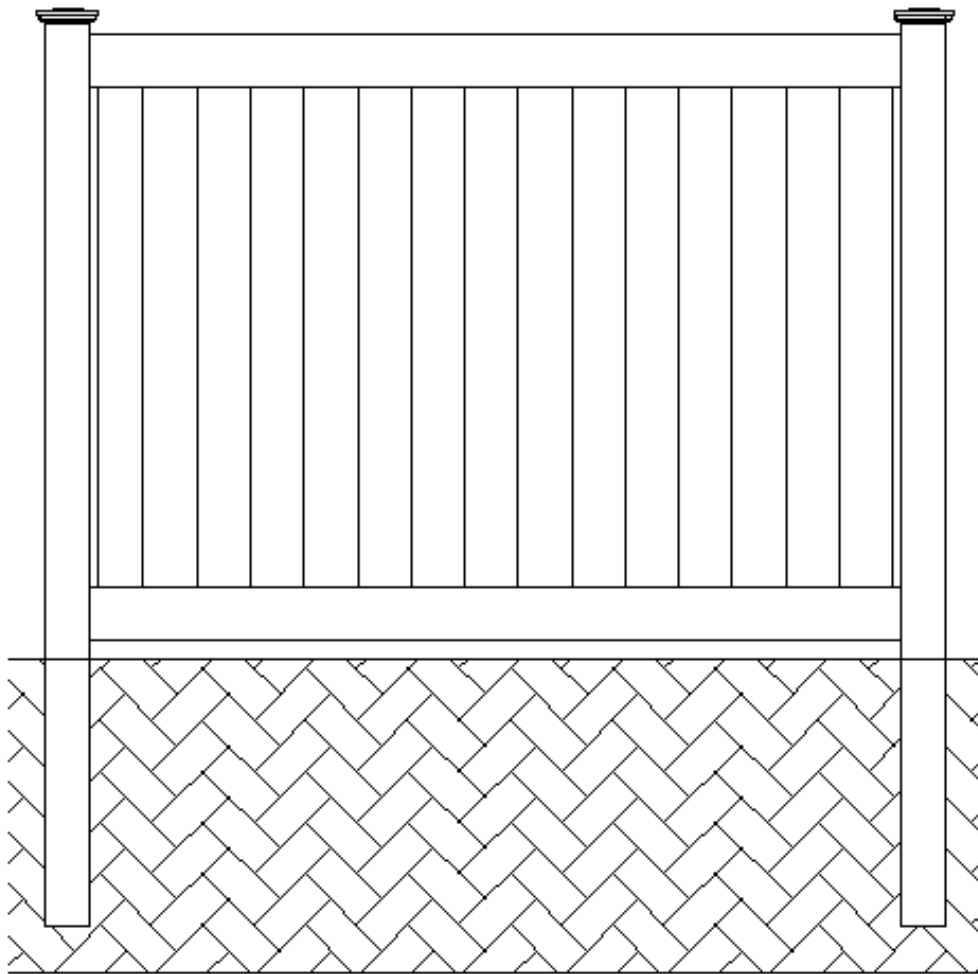


PVC Privacy Fence

Installation Instruction

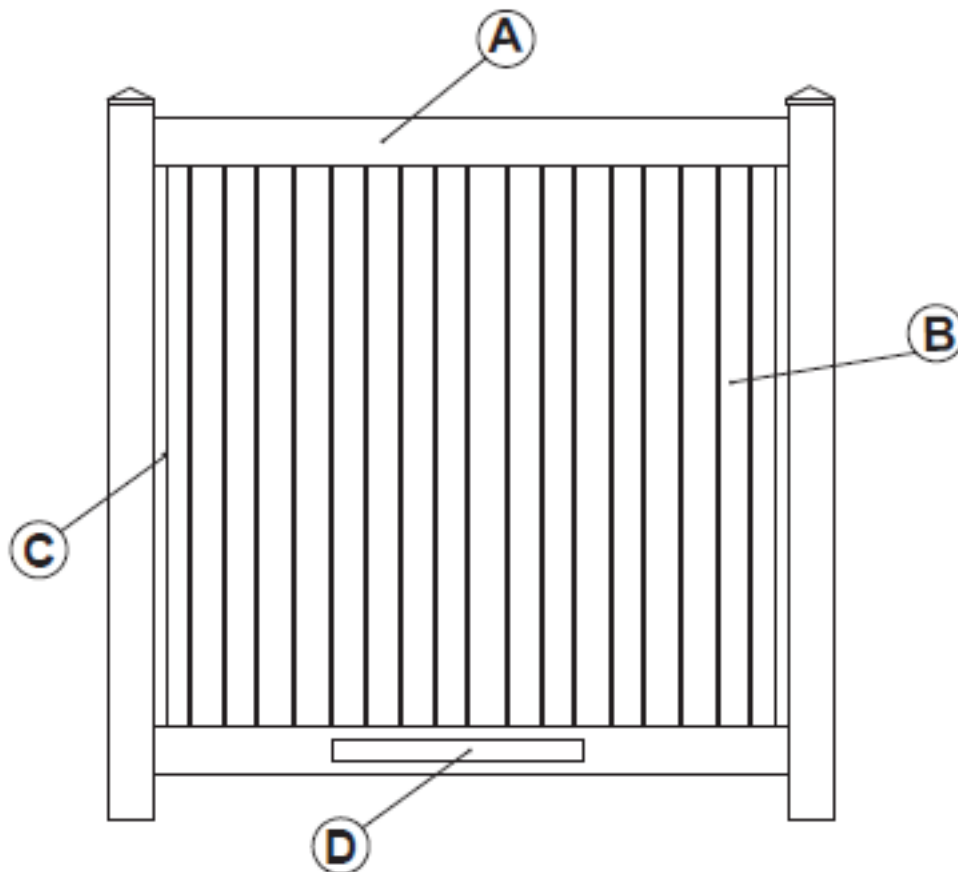


PRIVACY FENCE

PART LIST

EACH 4', 5' & 6' HIGH PRIVACY PANEL INCLUDES:

- A. 2" X 6" Slotted Rails (2)**
- B. 7/8" X 11.3" Tongue and Groove Pickets (8)**
- C. 7/8" U-Channels (2)**
- D. Aluminum Insert (1)**



PREPARE FENCE LAYOUT

Please read this instruction sheet completely before starting work. Laying out the fence is an important first step toward a quality installation.

NOTE: Privacy fences are designed for level terrain. For Significant slopes in the terrain you will need to modify some of the posts and panel parts. Filing out the routed holes in the posts and cutting the tongue and groove pickets at the angle of slope will help with assembly on un-eve terrain.

STEP 1

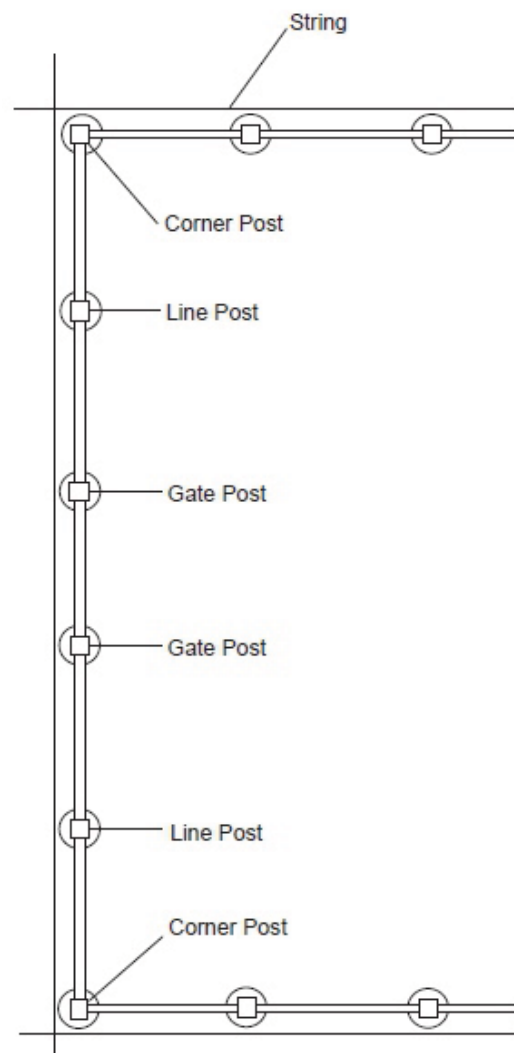
Locate the boundary lines to your property.

STEP 2

Drive stakes into the ground along the property line and stretch a string between each stake. We recommend that all posts be set approximately 10cm- 15cm inside of the property line to make sure that the concrete footings do not go over your property line.

STEP 3

Mark the location of each post hole. Privacy fence hole locations should be 244cm on center for 8ft sections and 185cm on center for 6 ft sections. A can of bright colored spray paint or colored flags work well to mark out holes.



SETTING POSTS

STEP 1

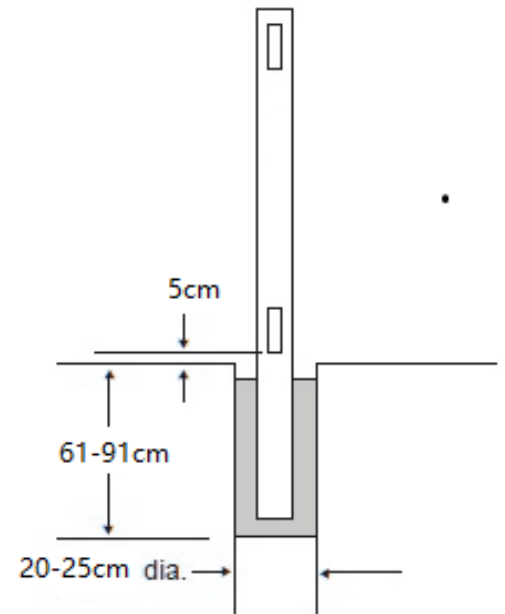
Dig holes 20cm-25cm in diameter and anywhere from 60cm, 76cm or 91cm deep depending on your local weather and soil conditions.

STEP 2

Position the post in the hole. The post should be centered in the hole and must be square with the fence line so that when the rails are inserted into place they will parallel the string line. Check the post on two adjacent sides with a carpenter's level and adjust as necessary to make sure it is plumb. The fence height above grade is also determined at this time. We recommend 5cm be left from the bottom of the bottom rail to the ground.

STEP 3

Pour concrete around the posts and fill up to ground level. Wet or dry concrete works fine. If using dry concrete water down around the posts when you are ready for the concrete to start setting up. The concrete will be set up in about 24 hours. Repeat this step until all posts are set and ready for panel assembly and gate install if needed.



PANEL ASSEMBLY - BOTTOM RAIL

STEP 1

Slide bottom rails into cutouts in the post. The notches on the rails will lock the rail into the post. Repeat this step until all bottom rails are installed. If post spacing is less than 8' on center, cut a piece of bottom rail to achieve desired length. Any power saw works well to cut these rails. You can purchase a notching tool to re-notch the rail or in most cases you can put a screw into the cut rail to hold it in place.



PANEL ASSEMBLY - T&G PANAL

STEP 1

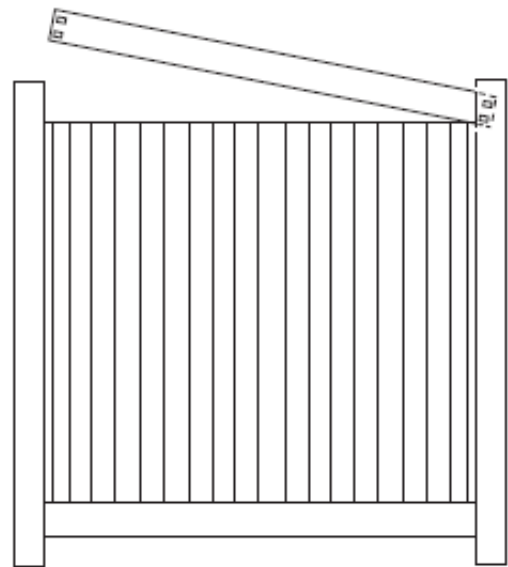
Starting on one end, insert the first picket into the bottom rail and the u-channel. Proceeding down the panel, insert the pickets into the bottom rails and interlock tongue and grooves as you go. If the posts are set at less than 8' on center you will need to cut down a tongue and groove picket to a smaller width to fit your remaining opening. These can be cut down with a power saw also. The cut will be hidden and insert into the end u-channel.

PANEL ASSEMBLY - TOP RAILS

STEP 1

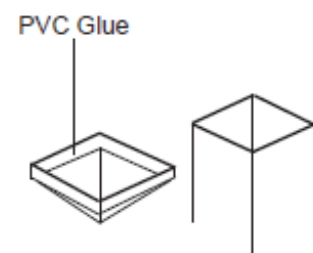
Place one end of the top rail into the posts and work your way down the panel, inserting pickets into the top rail as you go.

Once all of the pickets are installed, slide the loose end of rail into the posts. If posts spacing is less than 8' on center cut a piece of top rail to achieve desired length. You can purchase a notching tool to re-notch the rails or in most cases you can put a screw into the cut rail to hold the rail in place. Repeat these steps until all pickets and top rails have been assembled.



POST CAPS

Apply pvc glue to the inside of the cap and press completely onto the top of the post. Press firmly to ensure that the cap is on as far as it will go.



Fence Gate Installation

