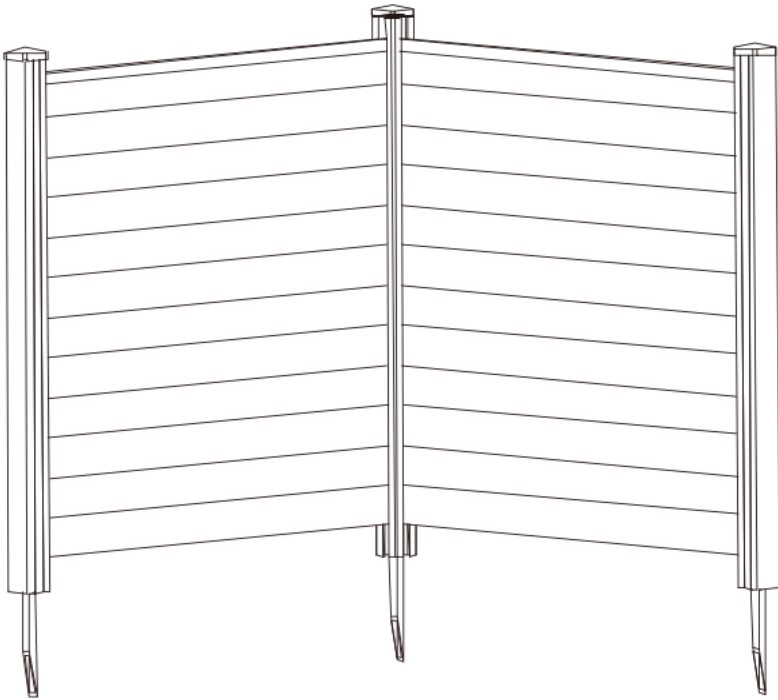
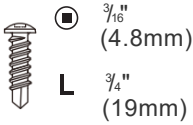


# Privacy Screens

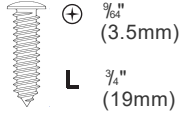


# WHAT'S IN THE BOX

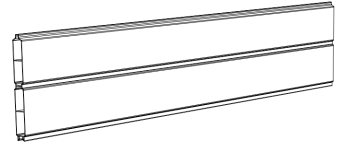
(please first check if the accessories are complete)



6X

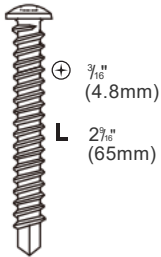


4X



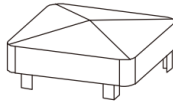
**Board Wall**  
(W:7.8" \* H:7/8" \* L:46")  
(W:198mm \* H:22mm \* L:1170mm)  
THK:1.1mm(0.043")

12X

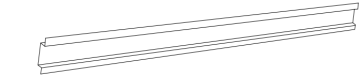


8X

Cap

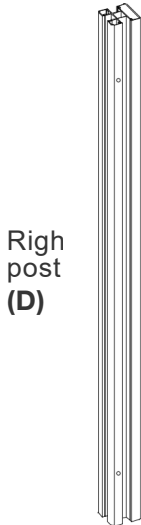
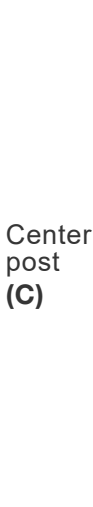


3X



L:1270/70mm(50"/2.76)  
THK:1mm(0.04")

5X



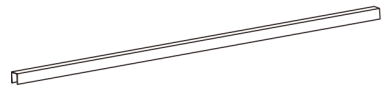
1X

1X

1X



(W:2.76" \* H:2.76" \* L:50")  
(W:70mm \* H:70mm \* L:1270mm)  
THK:2mm(0.079")



**U-channel**  
L:1127mm(44.37")  
THK:1.2mm(0.047")

2X



**GroundStake**  
(W:0.79" \* H:0.79" \* L:27.56")  
(W:20mm \* H:20mm \* L:700mm)  
THK:1.1mm(0.043")

(The metal stake is packaged inside the post)



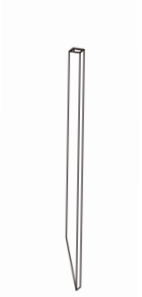
3X

# 1

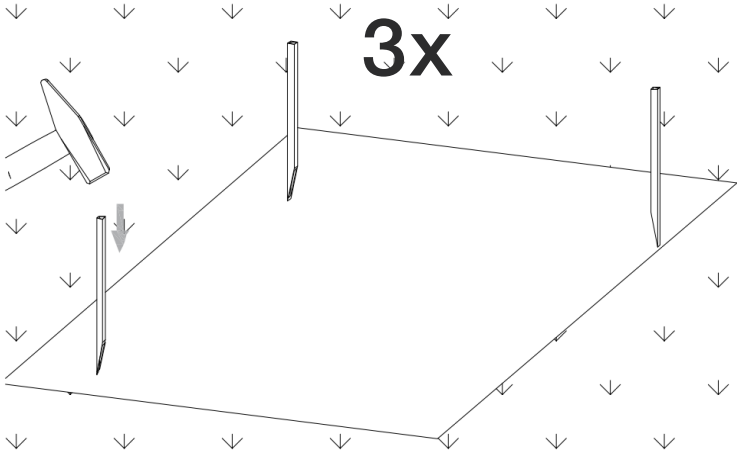
Use a wood block

Ground Stake

3X



3X

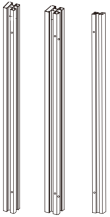


# 2

B

C

D



B C D



Marks on the bottom  
of the post

3X

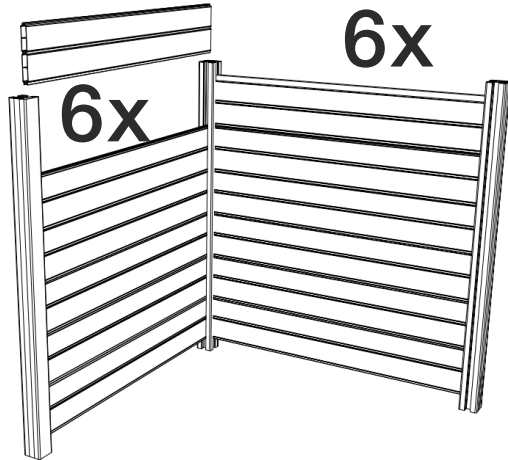
# 3

Slide the boards

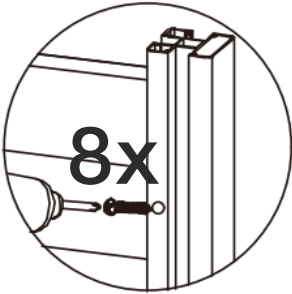
12X



Board Wall



# 4

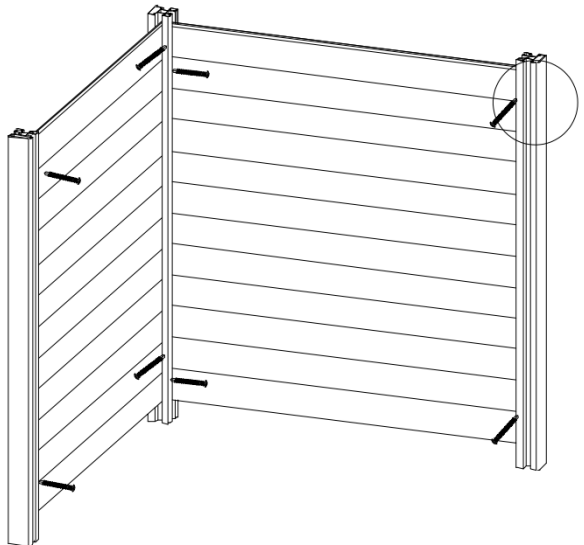


Fasten each post to the board using self-drilling stainless steel screws



⊕  $\frac{3}{16}$ "  
(4.8mm)

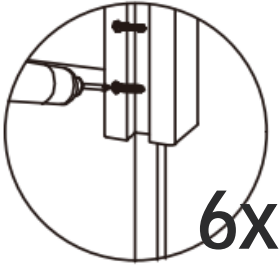
L  $2\frac{9}{16}$ "  
(65mm)



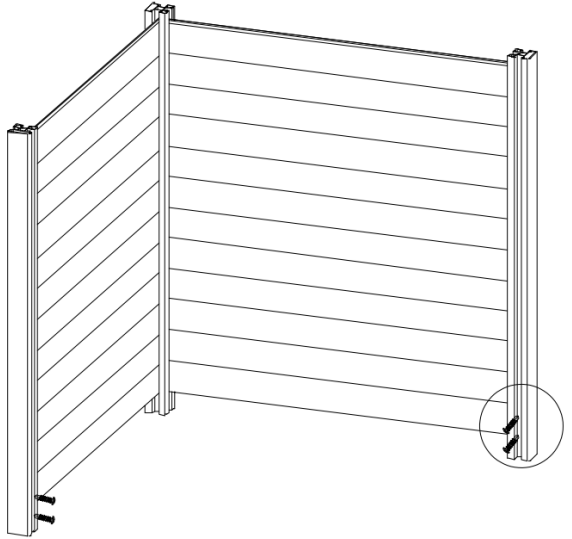
8X



# 5



Fasten each post to the ground stacks using self-drilling stainless steel screws.



# 6X

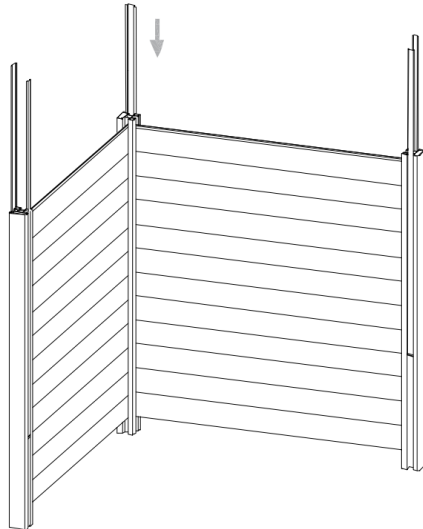


□  $\frac{3}{16}$ "  
(4.8mm)

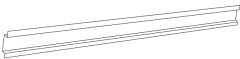
L  $\frac{3}{4}$ "  
(19mm)

# 6

Use c-channels to hide screws on each post.

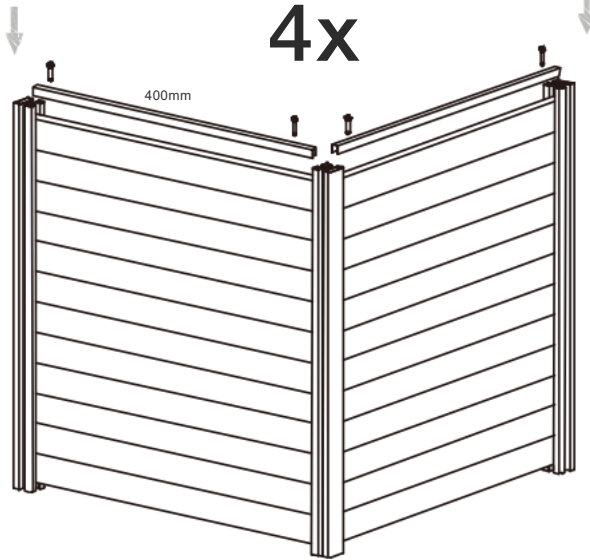


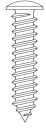
# 5X




C-channel

# 7



4X   $\oplus$   $\frac{9}{64}$ "  
(3.5mm)  
L  $\frac{3}{4}$ "  
(19mm)

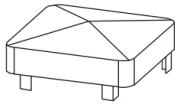
2X   
U-channel

Fasten each u-channels to the boards using self-drilling stainless steel screws.

# 8

Cap

3X



Finish the assembly by pushing the post caps down over the top of the posts.

