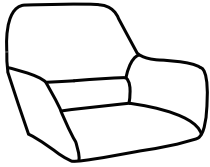
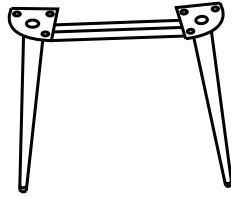


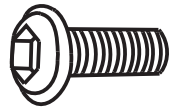
Ax1



Bx2

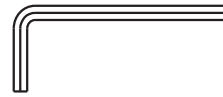


Cx12

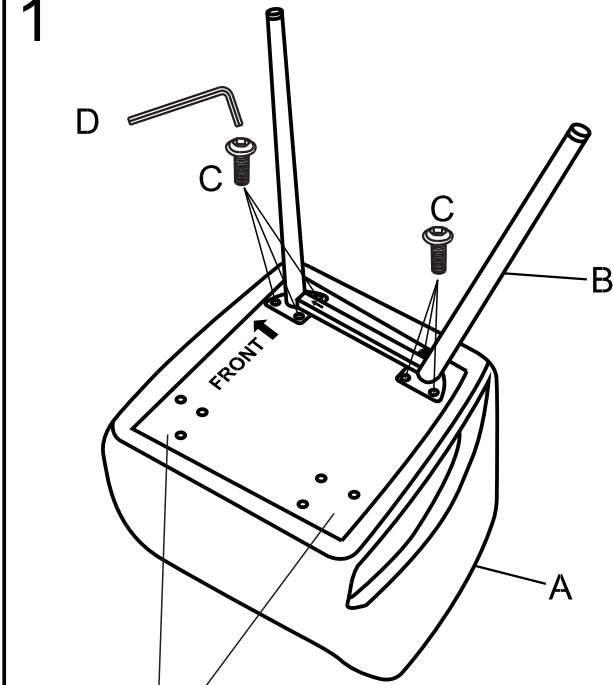


M6x20mm

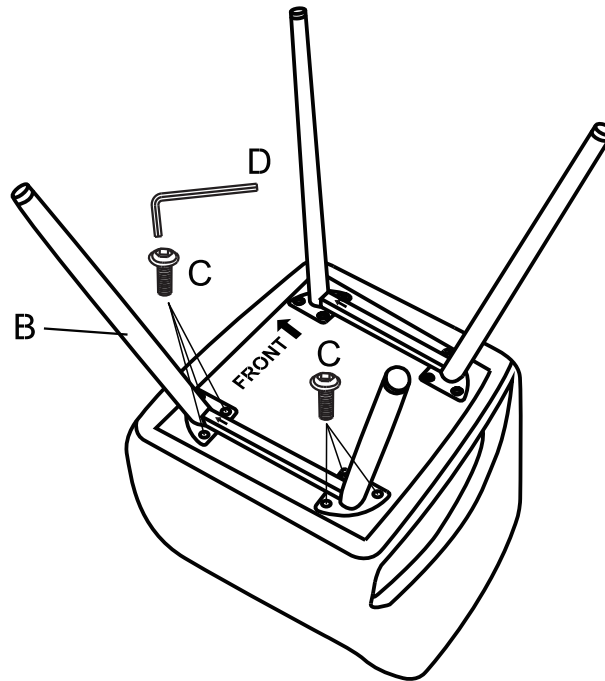
Dx1



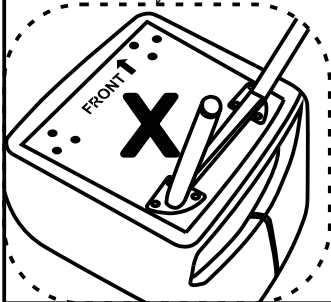
1



2



3



Make sure you place the leg in correct direction before assemble.

Adjust the footrests to balance the chair if necessary.