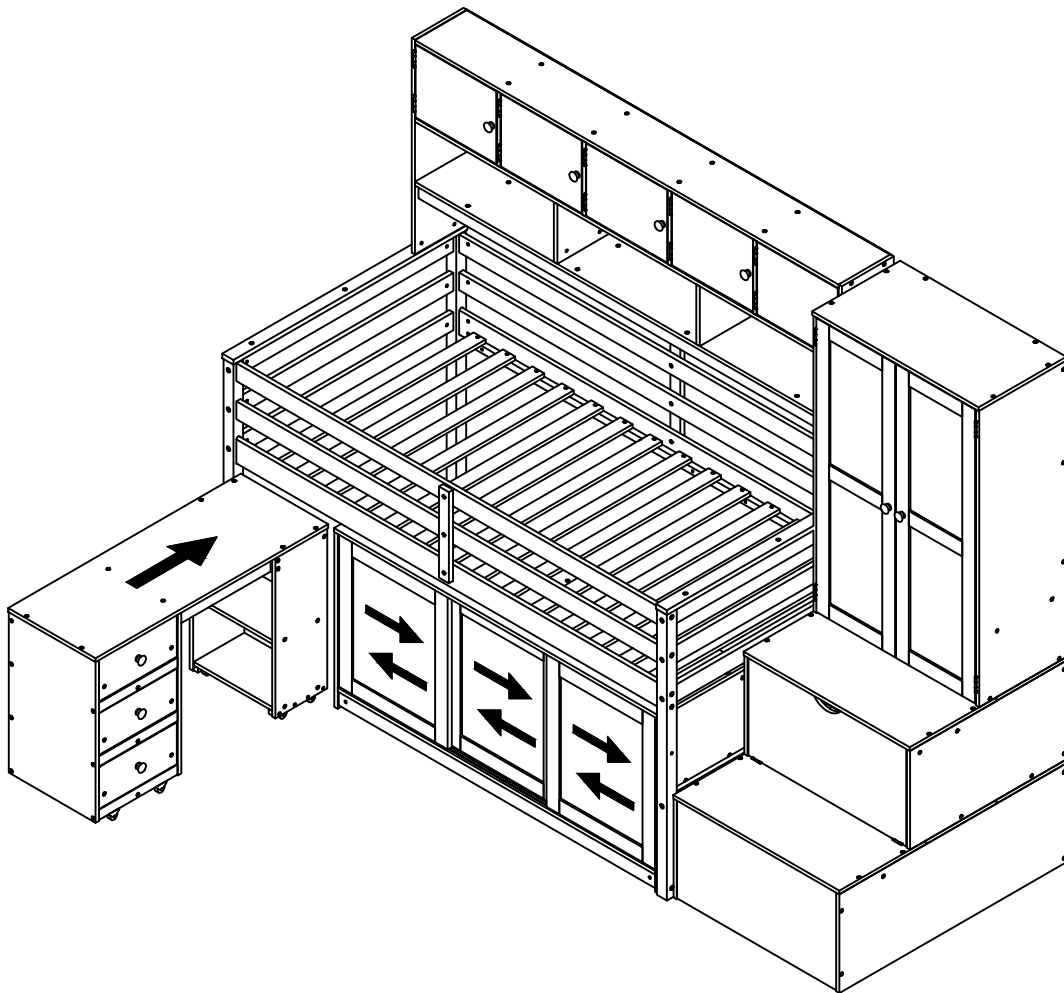


# ASSEMBLY INSTRUCTIONS

## TWIN LOW LOFT BED WITH SHELVES/ WARDROBE/ STAIRCASE



**WF318156/WF318157/WF318158/WF318159**



# SAFETY WARNING



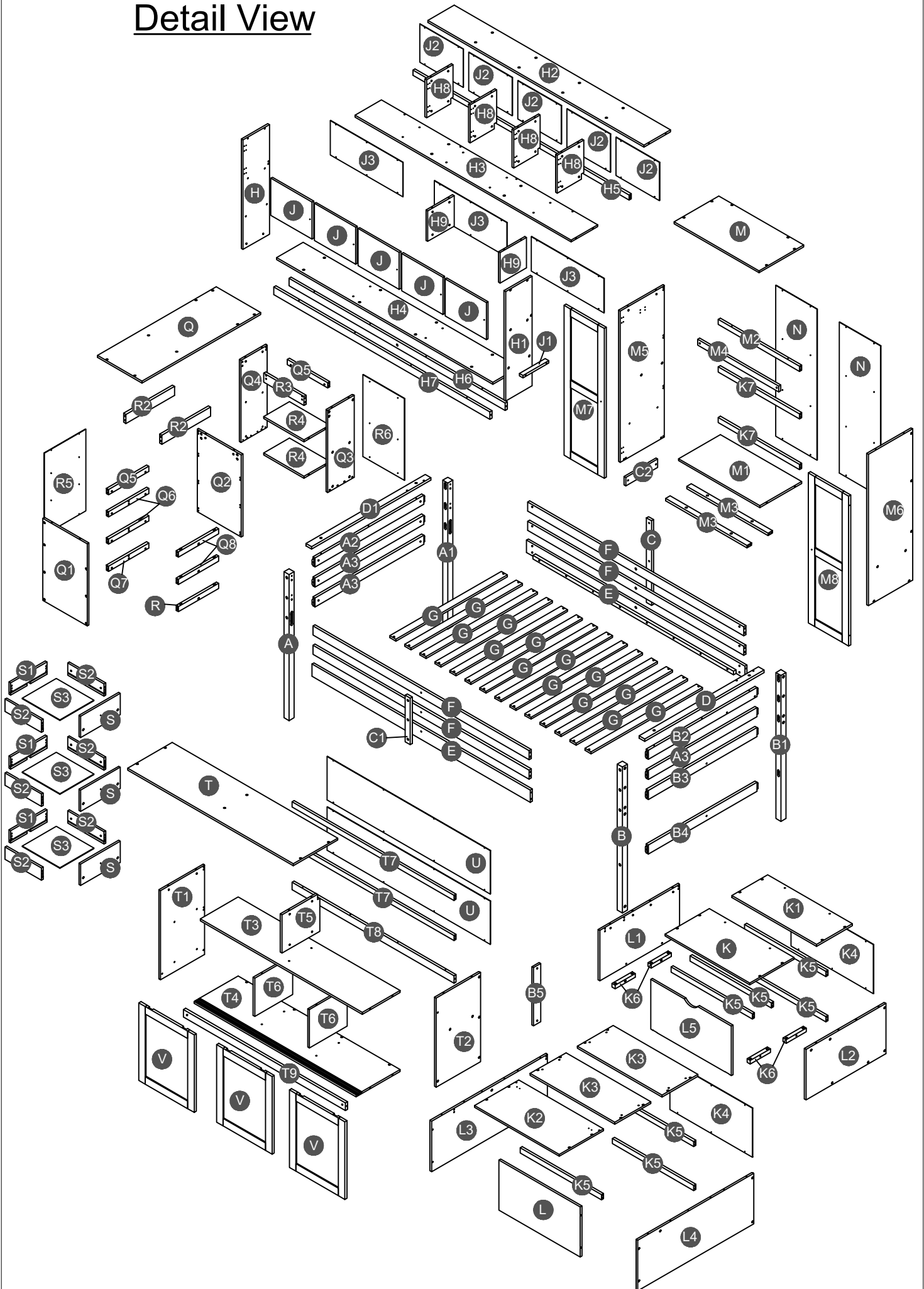
1. This bed is designed for use only mattress (es) meeting the following specifications on the upper bunk, and lower bunk:

Upper bunk (Bunk bed and tribed included)

Bed type	Length	With	Thickness
Twin Standard	74"-75"	38 1/2"	6"

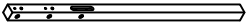
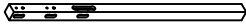
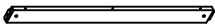
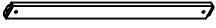
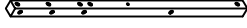
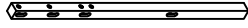

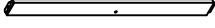


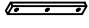

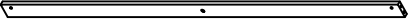




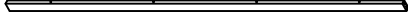
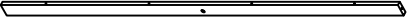

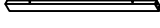


2. Replacement parts, including additional guardrails, maybe obtained from any of our (GIGACLOUD TECHNOLOGY (USA) INC.) dealers
3. Follow the information on the warnings appearing on the upper bunk bed end structure and on the carton. Do not remove warning label from bed.
4. Always use the recommended size mattresses or mattress supports, or both, to help prevent the likelihood of entrapment or falls.
5. Surface of mattress must be at least 5" (127mm) below the upper edge of guardrails.
6. Do not allow children under 6 years of age to use the upper bunk.
7. Periodically check and ensure that the guardrail, ladder, and other components are in their proper position, free from damage, and that all connectors are tight.
8. Do not allow horseplay on or under the bed and prohibit jumping on the bed.
9. Always use the ladder for entering and leaving the upper bunk.
10. Do not use substitute part. Contact the manufacture or dealer for replacement part.
11. Use of a night light may provide added safety precaution for a child using the upper bunk.
12. Always use guardrails on both long sides of the upper bunk. If the bunk bed will be placed next to the wall, the guardrail that runs the full length of the bed should be placed against the wall to prevent entrapment between the bed and wall.
13. The use of water or sleep flotation mattresses is prohibited.
14. STRANGULATION HAZARD - Never attach or hang items to any part of the bunk bed that are not designed for use with the bed; for example, but not limited to, hook, belts and jump ropes.
15. Keep these instruction for future reference.
16. Prohibit more than one person on upper bunk
17. We recommend assembling your bunk bed on the shipping carton to protect your floor or carpet.
18. Be certain all staples are out of the box before beginning assembly on the shipping carton.

# Detail View






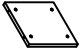
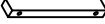

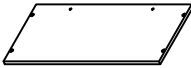

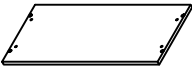
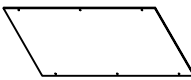

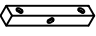
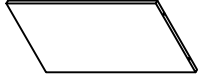
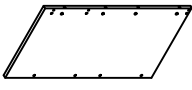
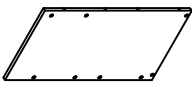
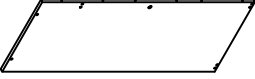
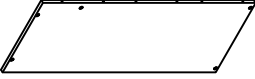

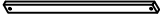
# Part List

## Hardware List WF318156

<b>A</b>  Leg (Left Front ) - 1pc	<b>A1</b>  Leg (Left Back ) - 1pc	<b>A2</b>  Horizontal bar - 1pc
<b>A3</b>  Horizontal bar - 3pcs	<b>B</b>  Leg (Right Front ) - 1pc	<b>B1</b>  Leg (Right Back ) - 1pc
<b>B2</b>  Horizontal bar - 1pc	<b>B3</b>  Horizontal bar - 1pc	<b>B4</b>  Horizontal bar - 1pc
<b>C</b>  Vertical guard rail (Back) - 1pc	<b>C1</b>  Vertical guard rail (Front) - 1pc	<b>E</b>  Side rail - 2pcs
<b>F</b>  Guard rail - 4pcs	<b>G</b>  Slat - 14pcs	<b>H2</b>  Shelf upper Panel - 1pc
<b>H3</b>  Shelf Mid Panel - 1pc	<b>H4</b>  Shelf lower Panel - 1pc	<b>H5</b>  Upper horizontal (Back) - 1pc
<b>H6</b>  Horizontal (Back) - 1pc	<b>H7</b>  Horizontal (Front) - 1pc	<b>M2</b>  Upper horizontal (back)-1pc
<b>M3</b>  Lower horizontal - 2pcs	<b>K7</b>  Wardrobe horizontal (back) - 2pcs	

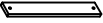
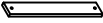
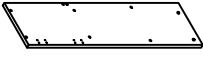
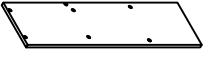

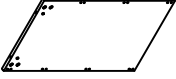
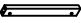
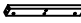
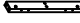


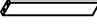
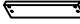

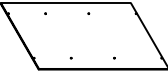




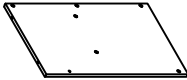
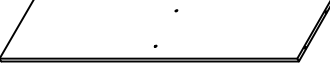



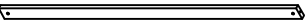
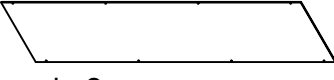
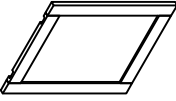
# Part List

## Hardware List WF318157

<p><b>D</b></p>  <p>Cap for FB - 1pc</p>	<p><b>D1</b></p>  <p>Cap for HB - 1pc</p>	<p><b>H8</b></p>  <p>Upper mid panel - 4pcs</p>
<p><b>H9</b></p>  <p>Upper mid panel - 2pcs</p>	<p><b>J1</b></p>  <p>Upper support - 1pc</p>	<p><b>K</b></p>  <p>Upper step ladder panel - 1pc</p>
<p><b>K1</b></p>  <p>Upper step ladder panel - 1pc</p>	<p><b>K2</b></p>  <p>Lower step ladder panel - 1pc</p>	<p><b>K3</b></p>  <p>Lower step ladder panel - 2pcs</p>
<p><b>K4</b></p>  <p>Step ladder panel (Back) - 2pcs</p>	<p><b>K5</b></p>  <p>Step ladder horizontal - 7pcs</p>	<p><b>K6</b></p>  <p>Support - 4pcs</p>
<p><b>L</b></p>  <p>Step ladder panel (Front) - 1pc</p>	<p><b>L1</b></p>  <p>Upper left side panel - 1pc</p>	<p><b>L2</b></p>  <p>Upper right side panel - 1pc</p>
<p><b>L3</b></p>  <p>Lower left side panel - 1pc</p>	<p><b>L4</b></p>  <p>Lower right side panel - 1pc</p>	<p><b>L5</b></p>  <p>Front panel - 1pc</p>
<p><b>M4</b></p>  <p>Horizontal hanger- 1pc</p>		

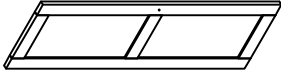
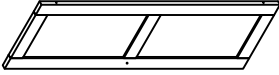
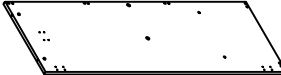

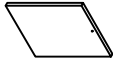


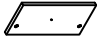



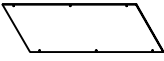
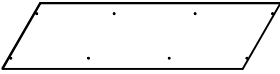
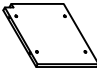
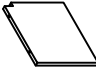
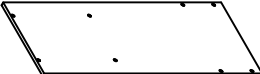

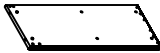
# Part List

WF318158


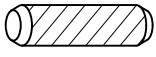

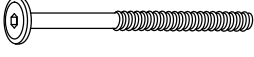
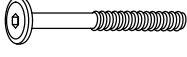
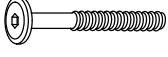




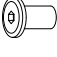

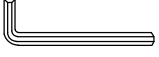
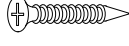




<p><b>B5</b></p>  <p>Lower support panel - 1pc</p>	<p><b>C2</b></p>  <p>Mid support panel - 1pc</p>	<p><b>H</b></p>  <p>Upper left side panel - 1pc</p>
<p><b>H1</b></p>  <p>Upper right side panel - 1pc</p>	<p><b>Q1</b></p>  <p>Left side panel - 1pc</p>	<p><b>Q2</b></p>  <p>Right side panel - 1pc</p>
<p><b>Q5</b></p>  <p>Horizontal (Back) - 2pcs</p>	<p><b>Q6</b></p>  <p>Horizontal (Back) - 2pcs</p>	<p><b>Q7</b></p>  <p>Lower horizontal (Back) - 1pc</p>
<p><b>Q8</b></p>  <p>Horizontal (Front) - 2pcs</p>	<p><b>R</b></p>  <p>Lower horizontal (Front) - 1pc</p>	<p><b>R2</b></p>  <p>Horizontal (Mid) - 2pcs</p>
<p><b>R3</b></p>  <p>Horizontal bar - 1pc</p>	<p><b>R4</b></p>  <p>Shelf panel - 2pcs</p>	<p><b>R5</b></p>  <p>Back panel - 1pc</p>
<p><b>R6</b></p>  <p>Back panel - 1pc</p>	<p><b>S1</b></p>  <p>Back drawer panel - 3pcs</p>	<p><b>T</b></p>  <p>Top panel - 1pc</p>
<p><b>T1</b></p>  <p>Left side panel - 1pc</p>	<p><b>T2</b></p>  <p>Right side panel - 1pc</p>	<p><b>T3</b></p>  <p>Shelf panel - 1pc</p>
<p><b>T4</b></p>  <p>Bottom panel - 1pc</p>	<p><b>T7</b></p>  <p>Upper horizontal (back) - 2pcs</p>	<p><b>T8</b></p>  <p>Lower horizontal (back) - 1pc</p>
<p><b>T9</b></p>  <p>Lower horizontal (Front) - 1pc</p>	<p><b>U</b></p>  <p>Back panel - 2pcs</p>	<p><b>V</b></p>  <p>Door sliding - 3pcs</p>

# Part List

WF318159

<p><b>M7</b></p>  <p>Wardrobe door left - 1pc</p>	<p><b>M8</b></p>  <p>Wardrobe door right - 1pc</p>	<p><b>M5</b></p>  <p>Wardrobe left side panel - 1pc</p>
<p><b>M6</b></p>  <p>Wardrobe right side panel - 1pc</p>	<p><b>J</b></p>  <p>Door panel - 5pcs</p>	<p><b>M</b></p>  <p>Wardrobe top panel - 1pc</p>
<p><b>M1</b></p>  <p>Wardrobe shelf panel - 1pc</p>	<p><b>S</b></p>  <p>Front drawer panel - 3pcs</p>	<p><b>S2</b></p>  <p>Left / Right drawer panel - 6pcs</p>
<p><b>S3</b></p>  <p>Bottom drawer panel - 3pcs</p>	<p><b>J2</b></p>  <p>Upper back panel - 5pcs</p>	<p><b>J3</b></p>  <p>Upper back panel - 3pcs</p>
<p><b>N</b></p>  <p>Wardrobe back panel - 2pcs</p>	<p><b>T5</b></p>  <p>Mid panel - 1pc</p>	<p><b>T6</b></p>  <p>Mid panel - 2pcs</p>
<p><b>Q</b></p>  <p>Top panel - 1pc</p>	<p><b>Q3</b></p>  <p>Right side panel - 1pc</p>	<p><b>Q4</b></p>  <p>Left side panel - 1pc</p>

# Hardware List

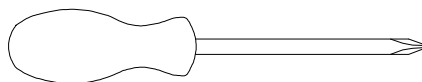
<p><b>1</b></p>  <p style="text-align: center;">Ø10*40mm</p> <p style="text-align: center;">Wood dowel (8pcs)</p>	<p><b>2</b></p>  <p style="text-align: center;">Ø8*30mm</p> <p style="text-align: center;">Wood dowel (84pcs)</p>	<p><b>3</b></p>  <p style="text-align: center;">Ø10*20mm</p> <p style="text-align: center;">Wood dowel (5pcs)</p>
<p><b>4</b></p>  <p style="text-align: center;">(Ø15)1/4"*100mm</p> <p style="text-align: center;">Hex-Head bolts (22pcs)</p>	<p><b>5</b></p>  <p style="text-align: center;">(Ø15)1/4"*80mm</p> <p style="text-align: center;">Hex-Head bolts (14pcs)</p>	<p><b>6</b></p>  <p style="text-align: center;">(Ø12)1/4"*60mm</p> <p style="text-align: center;">Hex-Head bolts (161pcs)</p>
<p><b>7</b></p>  <p style="text-align: center;">1/4"*15 (9.5mm)</p> <p style="text-align: center;">Horizontal-Hole bolts(196pcs)</p>	<p><b>8</b></p>  <p style="text-align: center;">(Ø12)1/4"*40mm</p> <p style="text-align: center;">Hex-Head bolts (13pcs)</p>	<p><b>9</b></p>  <p style="text-align: center;">(Ø12)1/4"*30mm</p> <p style="text-align: center;">Hex-Head bolts (11pcs)</p>
<p><b>10</b></p>  <p style="text-align: center;">(Ø12)1/4"*15mm</p> <p style="text-align: center;">Hex-Head bolts (2pcs)</p>	<p><b>11</b></p>  <p style="text-align: center;">(Ø13)1/4" x 9/16"</p> <p style="text-align: center;">Hex Cap (2pcs)</p>	<p><b>12</b></p>  <p style="text-align: center;">(Ø12)1/4"*40mm</p> <p style="text-align: center;">Hex-Head bolts (36pcs)</p>
<p><b>13</b></p>  <p style="text-align: center;">(1/4")4.5*58mm</p> <p style="text-align: center;">Allen key (2pcs)</p>	<p><b>14</b></p>  <p style="text-align: center;">Ø4*30mm</p> <p style="text-align: center;">Wood screws (32pcs)</p>	<p><b>15</b></p>  <p style="text-align: center;">Ø3.5*15mm</p> <p style="text-align: center;">Wood screws (104pcs)</p>
<p><b>16</b></p>  <p style="text-align: center;">340*30mm</p> <p style="text-align: center;">Upper slider drawer (3pcs)</p>	<p><b>17</b></p>  <p style="text-align: center;">63*40*30 mm</p> <p style="text-align: center;">Hooks (2pcs)</p>	<p><b>18</b></p>  <p style="text-align: center;">Ø3.5*19mm</p> <p style="text-align: center;">Wood screws (8pcs)</p>



# Hardware List

<b>19</b>  140*41*21 mm Door stooper magnet (1pc)	<b>20</b>  45*17*13mm Door catch (7pcs)	<b>21</b>  42*12*1mm Metal magnet (9pcs)
<b>22</b>  70*37*28 mm (135°) Door Hinge (14pcs)	<b>23</b>  40*18*18*2mm Metal bracket (3pcs)	<b>24</b>  58*51*12 mm Sliding Wheels (6pcs)
<b>25</b>  58*51*12 mm Sliding Wheels (6pcs)	<b>26</b>  45*20*35 mm Wheels (4pcs)	<b>27</b>  Ø3.5*15mm Wood screws (201pcs)
<b>28</b>  Ø38*31mm Pine Knob (10pcs)	<b>29</b>  3/16"*25mm Ph zinc(Knob) (10pcs)	<b>30</b>  Ø9*32mm Plastic anchor (4pcs)
<b>31</b>  58*16*16*1.5mm Metal bracket (4pcs)	<b>32</b>  Ø4*38mm Wood screws (4pcs)	<b>33</b>  365*58*28 mm Lower slider drawer (3pcs)
<b>34</b>  100*54*20 mm Wheels (4pcs)		

## ASSEMBLY TOOLS REQUIRED ( NOT INCLUDED )



PLEASE BE CAREFUL DO NOT DAMAGE THE HOLE POSITION WHEN YOU USE POWER TOOLS !

# STEP 1:

5	7
6PCS	6PCS
12	
3PCS	

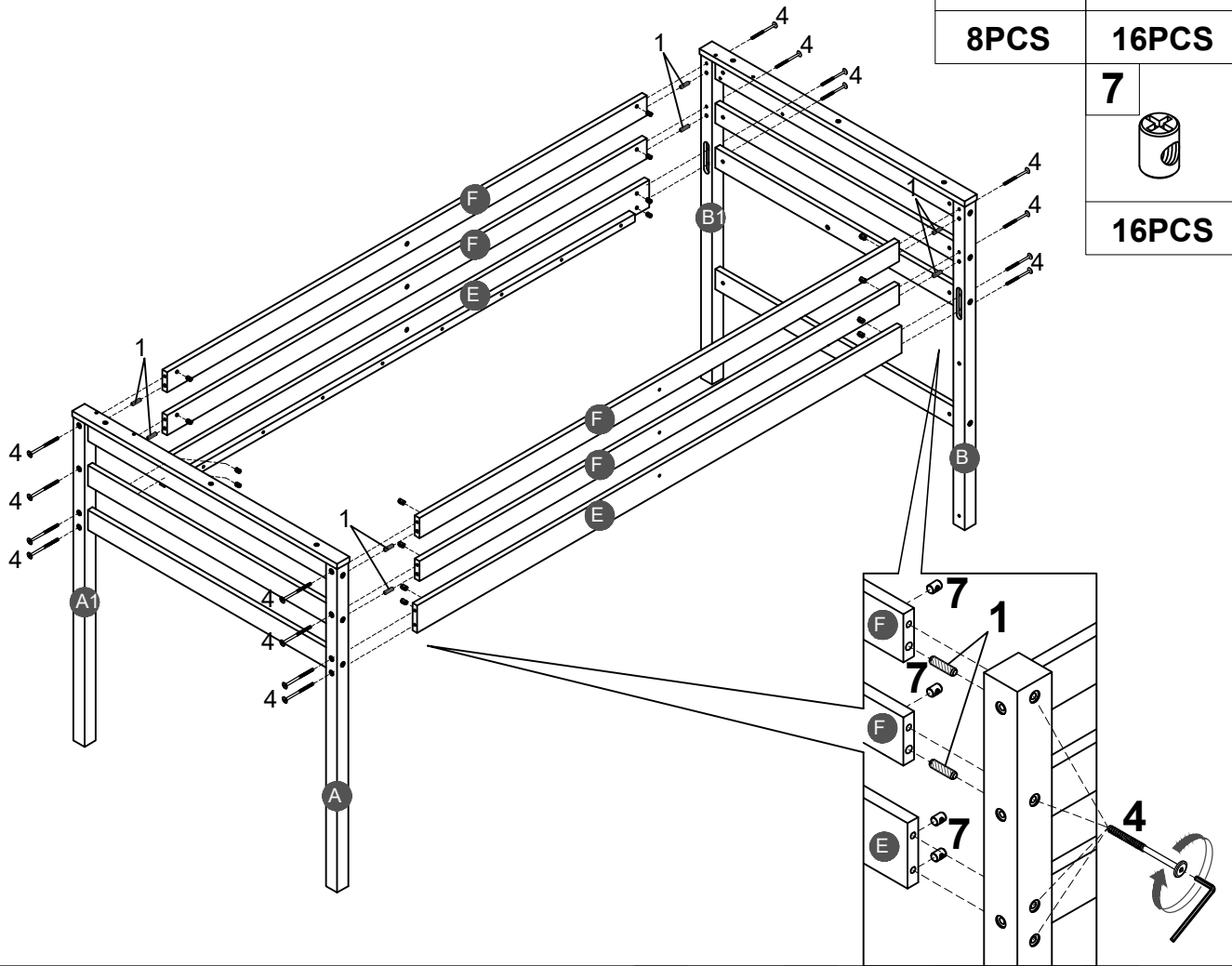
Note: Part 7 will face up with the "x" mark on it, otherwise it cannot be tightened

# STEP 2:

5	7
8PCS	8PCS
12	
3PCS	

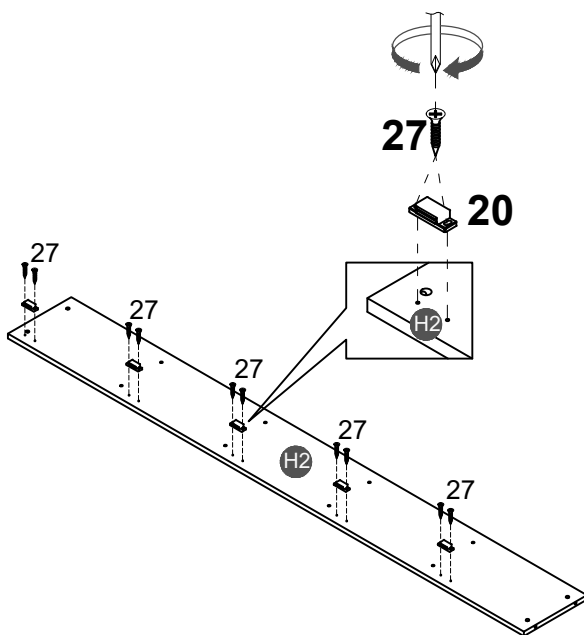
Note: Part 7 will face up with the "x" mark on it, otherwise it cannot be tightened

**STEP 3:**

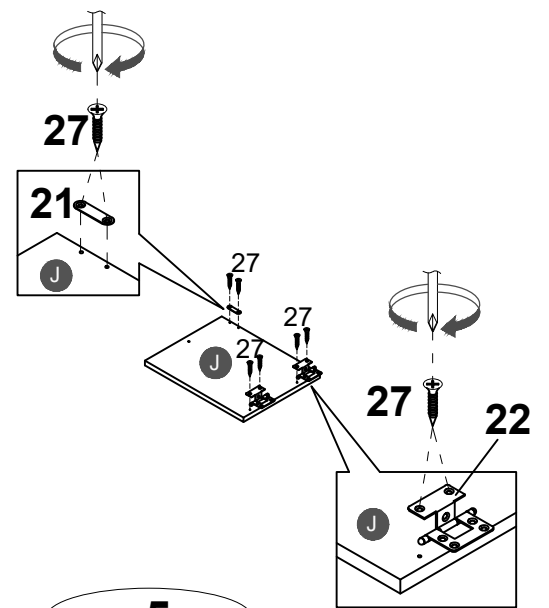


<b>1</b>		<b>4</b>	
<b>8PCS</b>		<b>16PCS</b>	
		<b>7</b>	
		<b>16PCS</b>	

**STEP 4:**



<b>20</b>	<b>21</b>	<b>22</b>	<b>27</b>
<b>5PCS</b>	<b>5PCS</b>	<b>10PCS</b>	<b>40PCS</b>



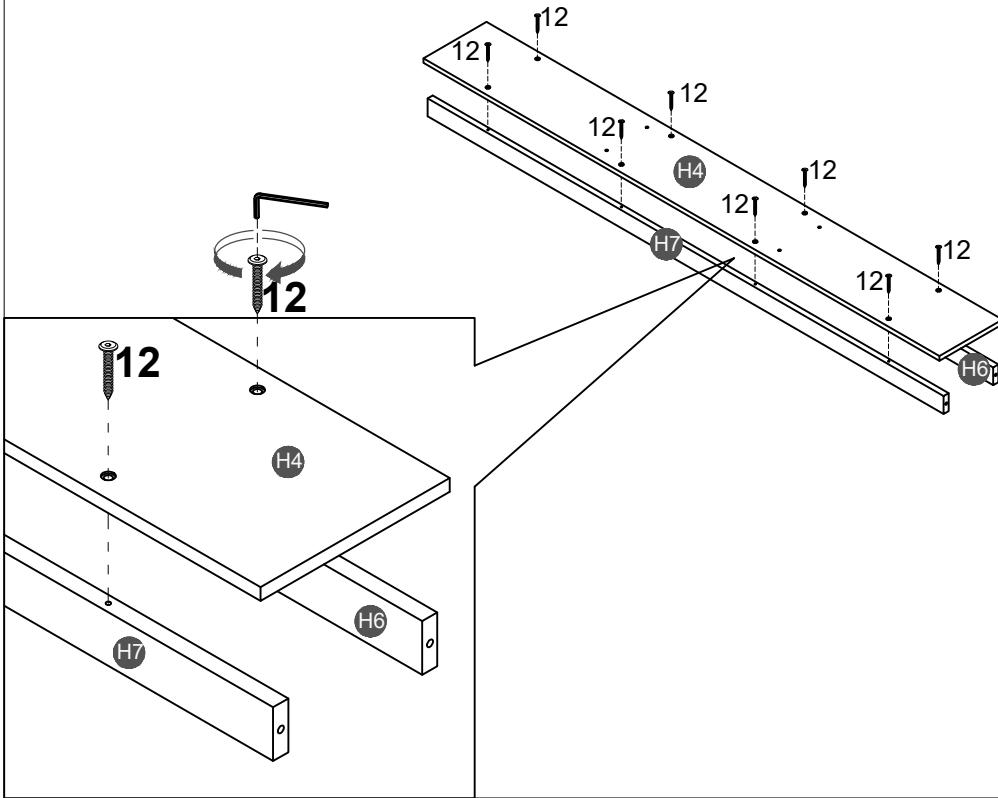
**x 5**

**STEP 5:**

**12**

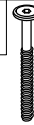


**8PCS**



**STEP 6:**

**6**

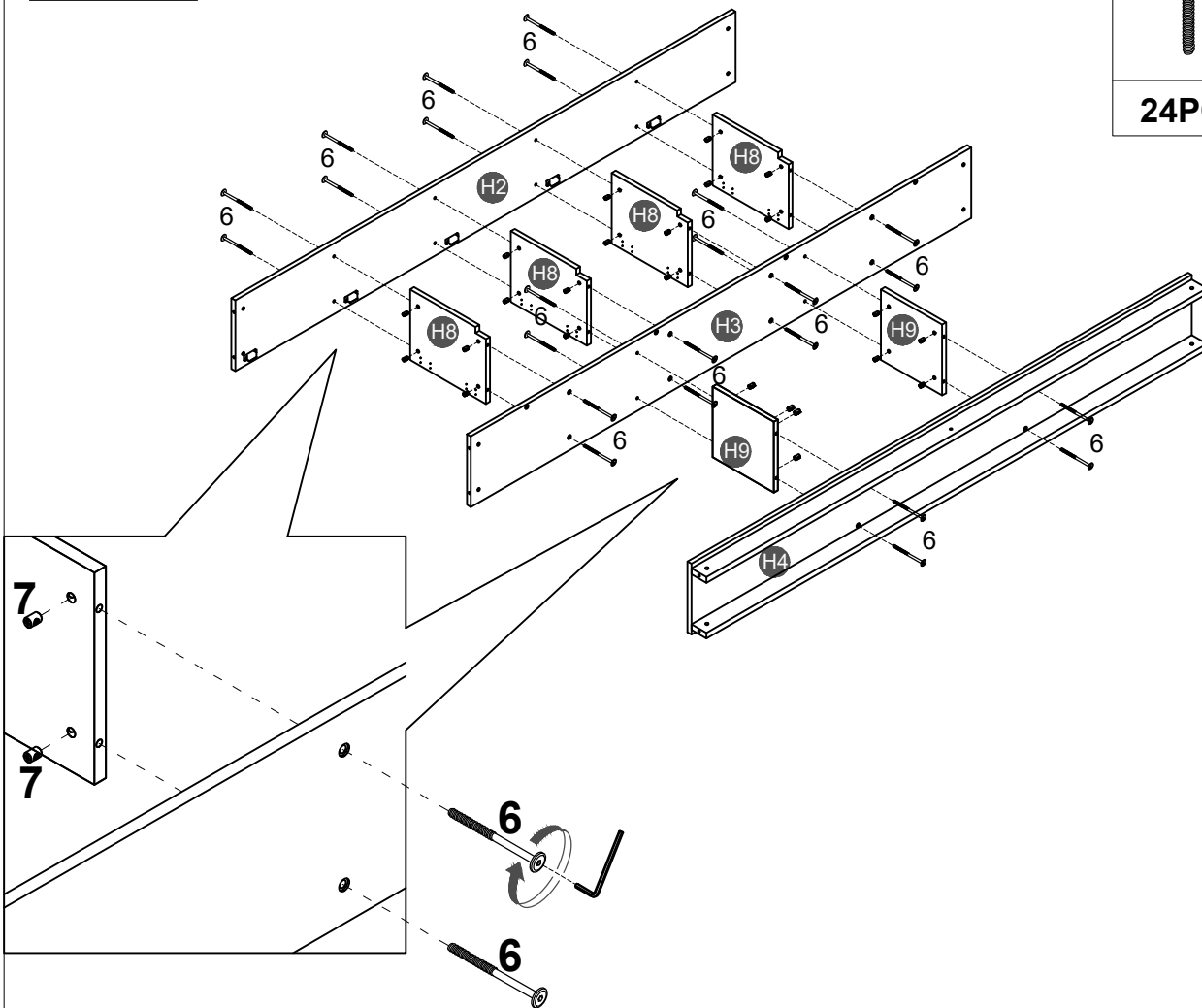


**24PCS**

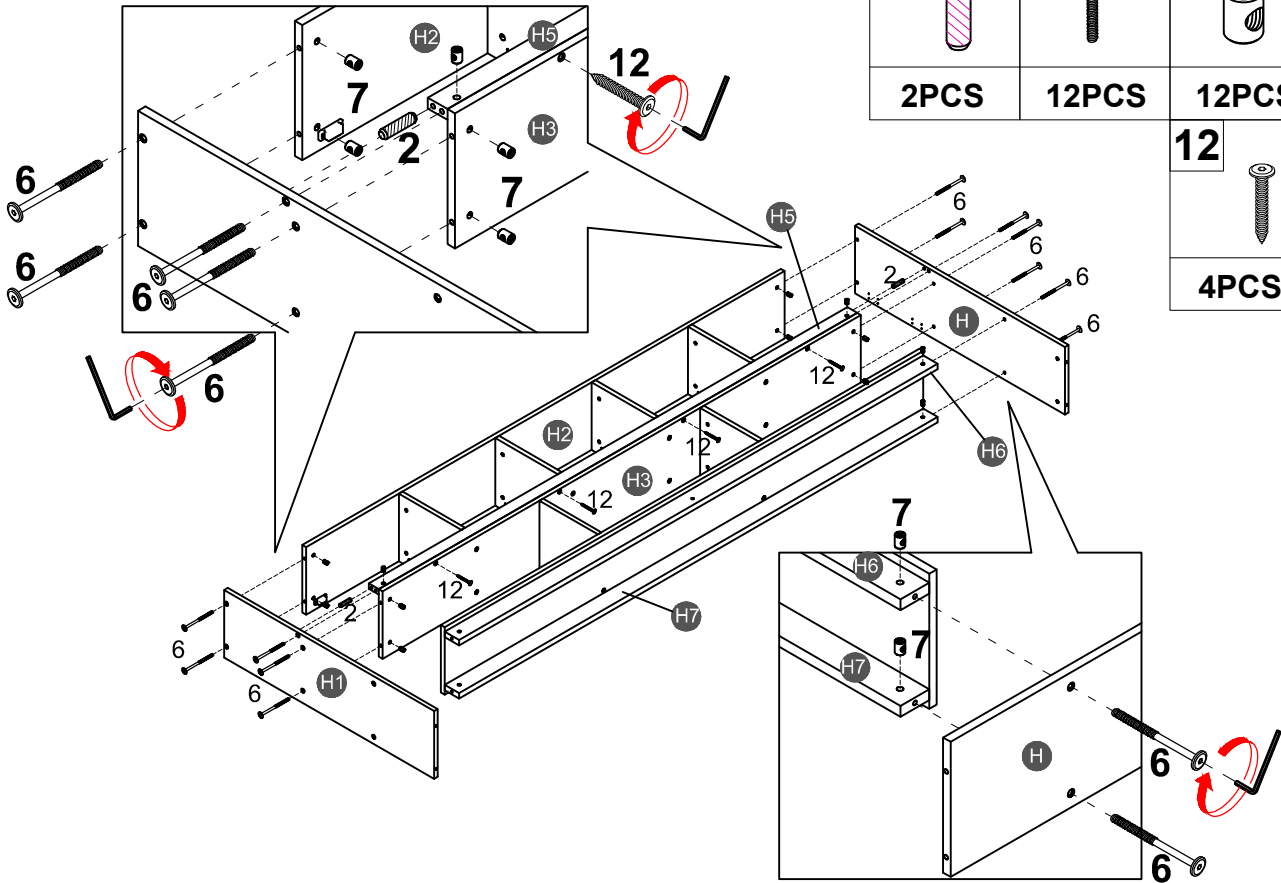
**7**







**24PCS**

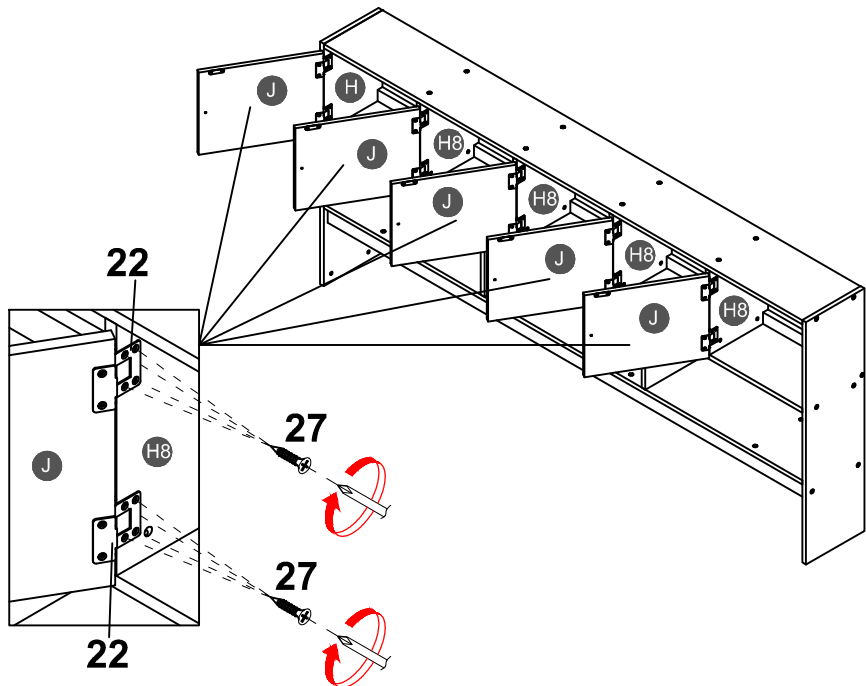



**STEP 7:**



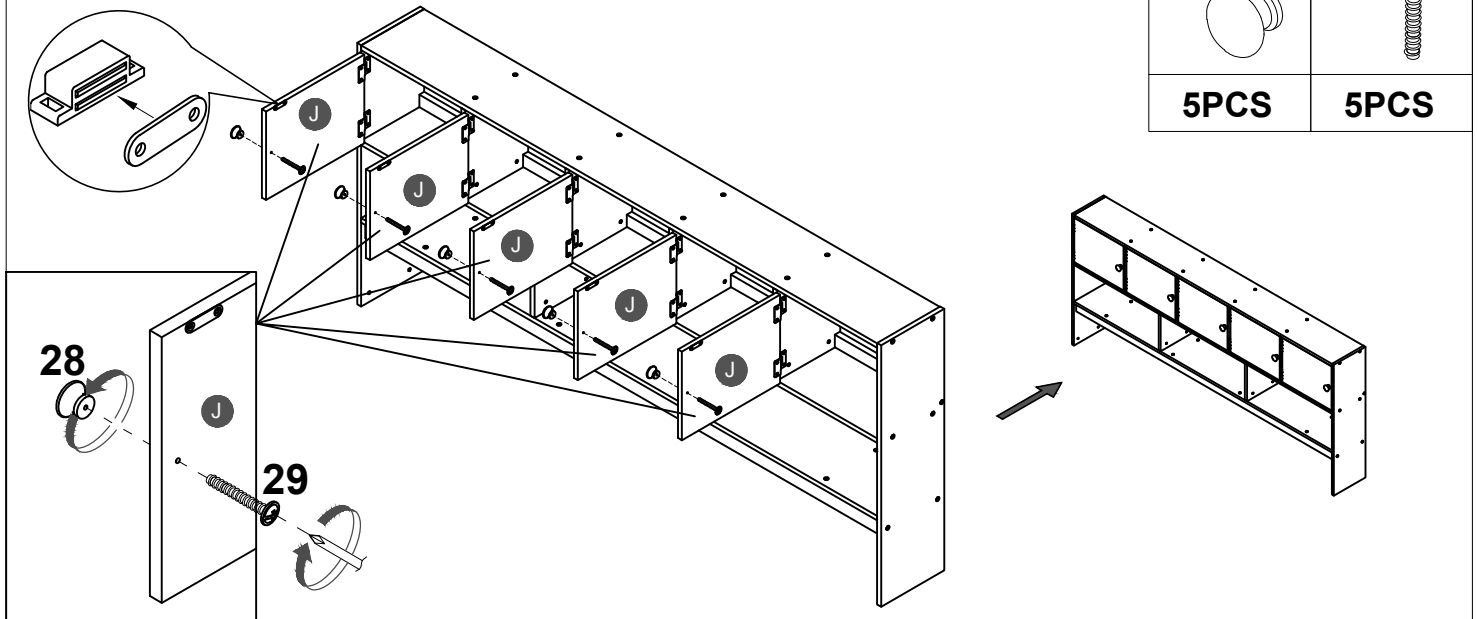
<b>2</b>		<b>6</b>		<b>7</b>	
<b>2PCS</b>		<b>12PCS</b>		<b>12PCS</b>	
				<b>12</b>	
				<b>4PCS</b>	

**STEP 8:**

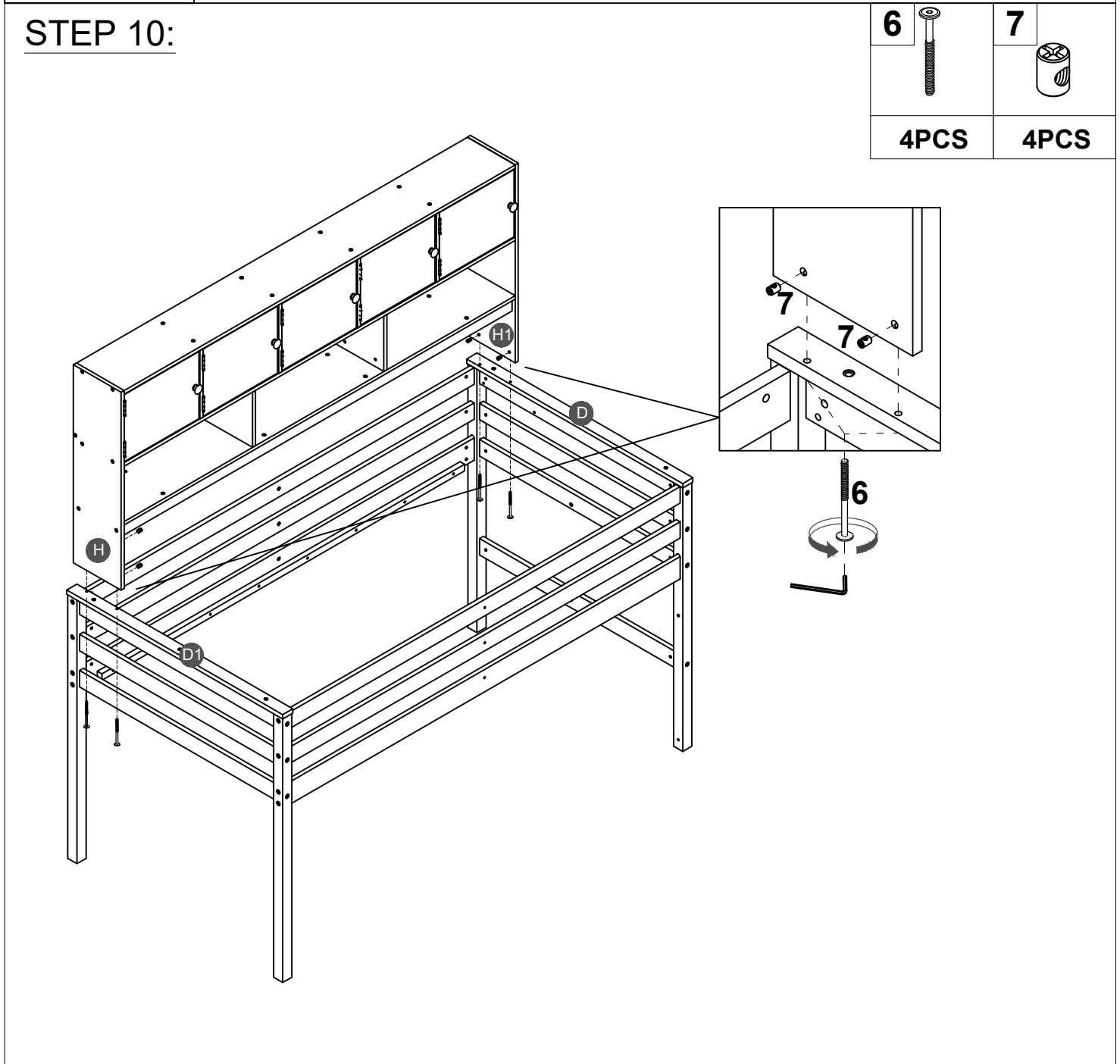


<b>27</b>	
<b>40PCS</b>	

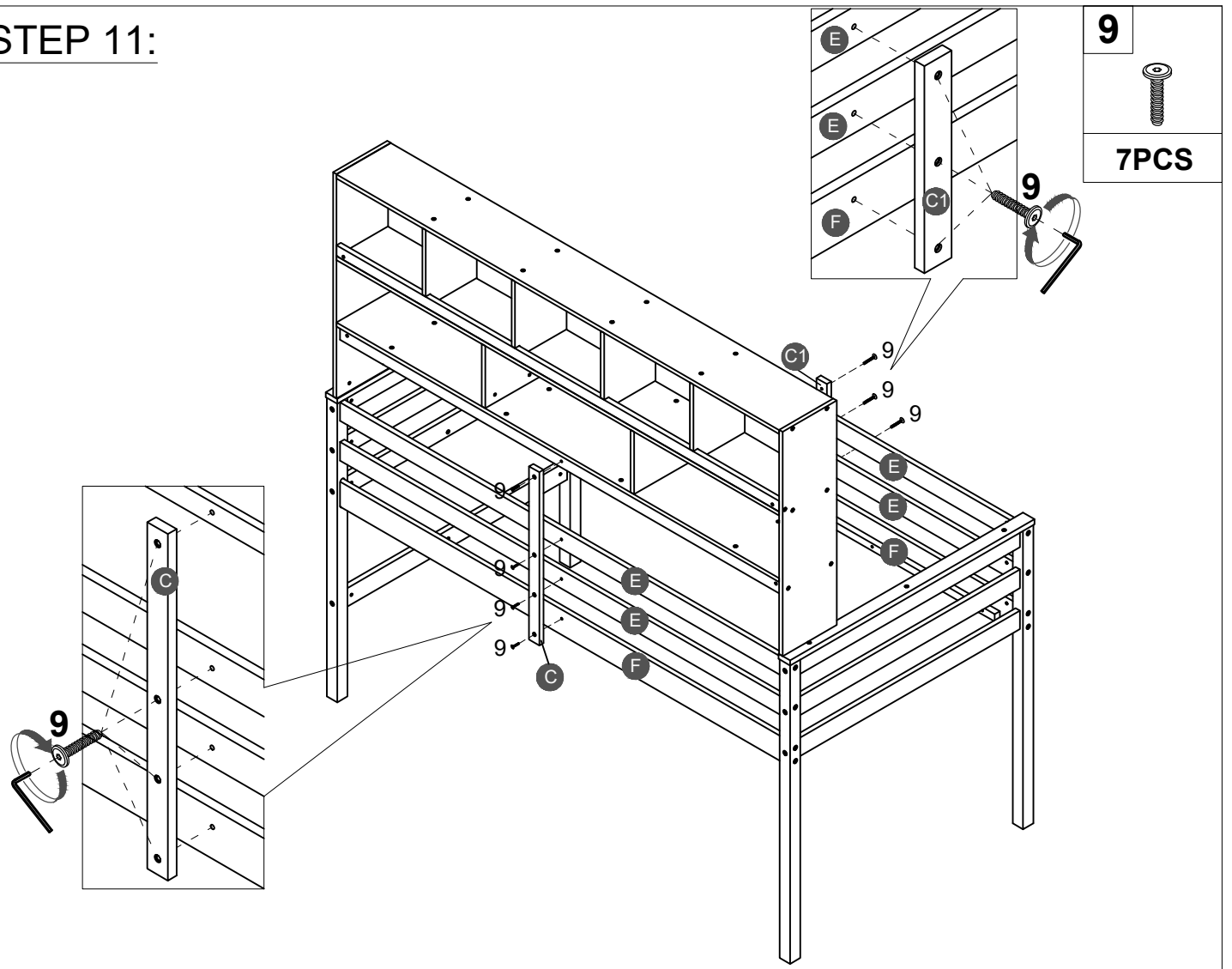
**STEP 9:**



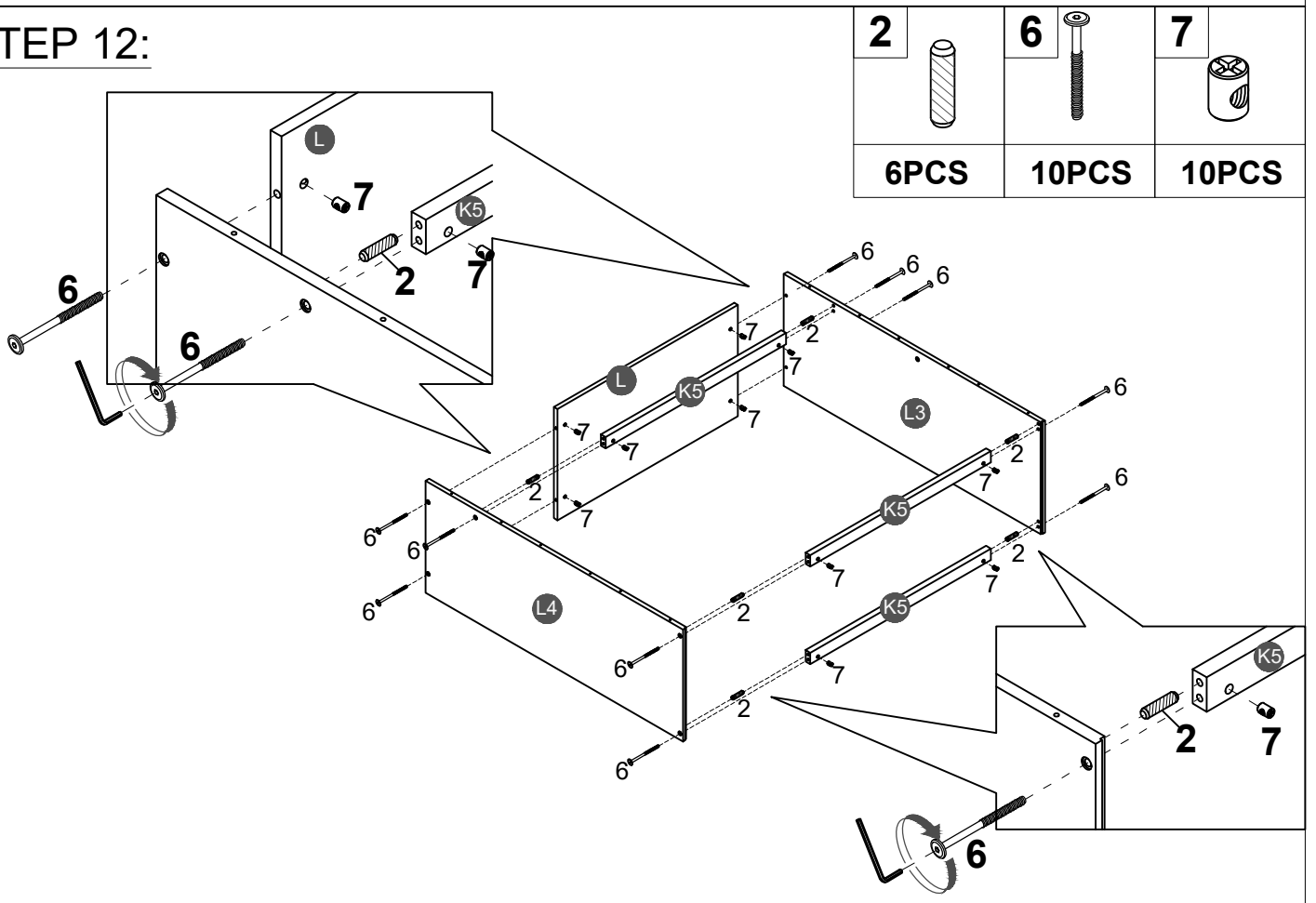
**STEP 10:**



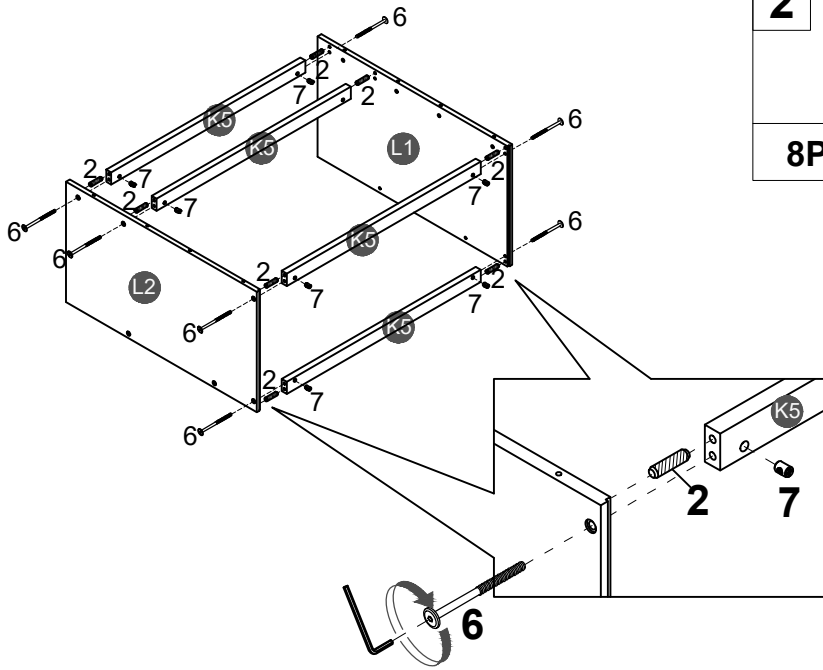
# STEP 11:



# STEP 12:

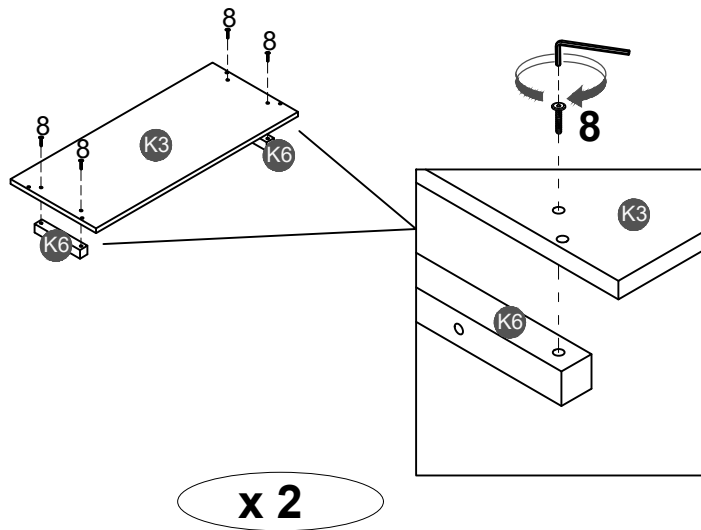


**STEP 13:**



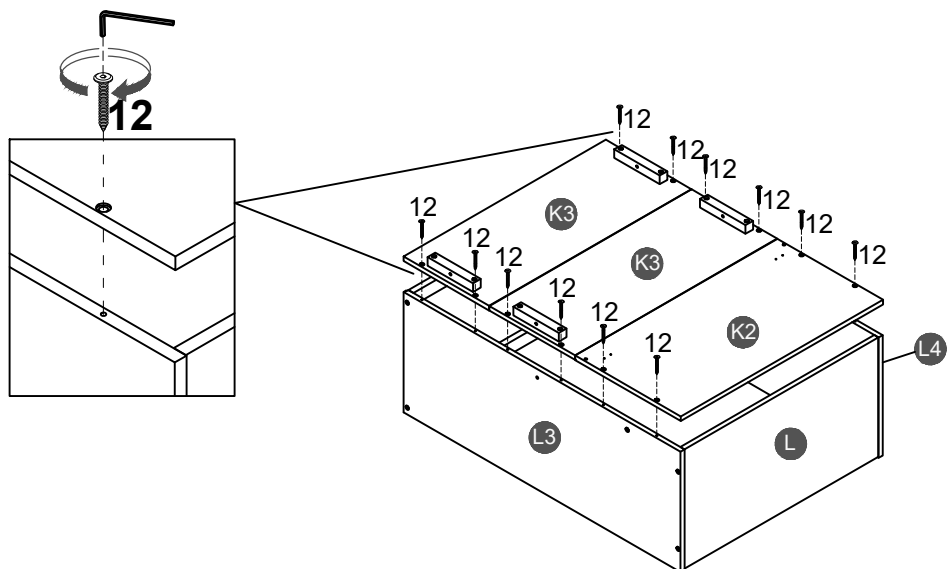
<b>2</b>		<b>6</b>		<b>7</b>	
<b>8PCS</b>		<b>7PCS</b>		<b>7PCS</b>	

**STEP 14:**



<b>8</b>	
<b>8PCS</b>	

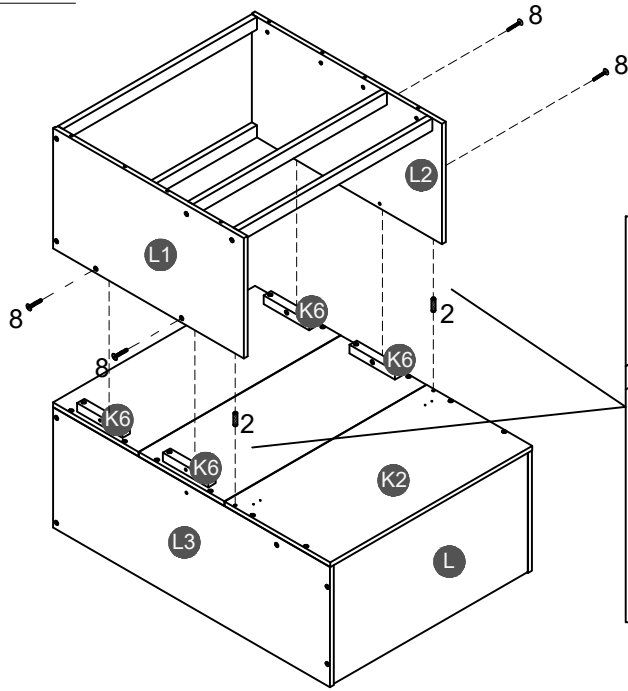
**STEP 15:**

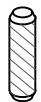



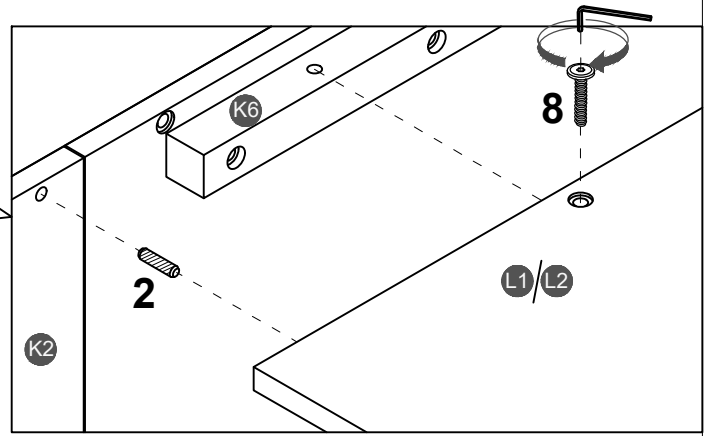
<b>12</b>	
<b>12PCS</b>	



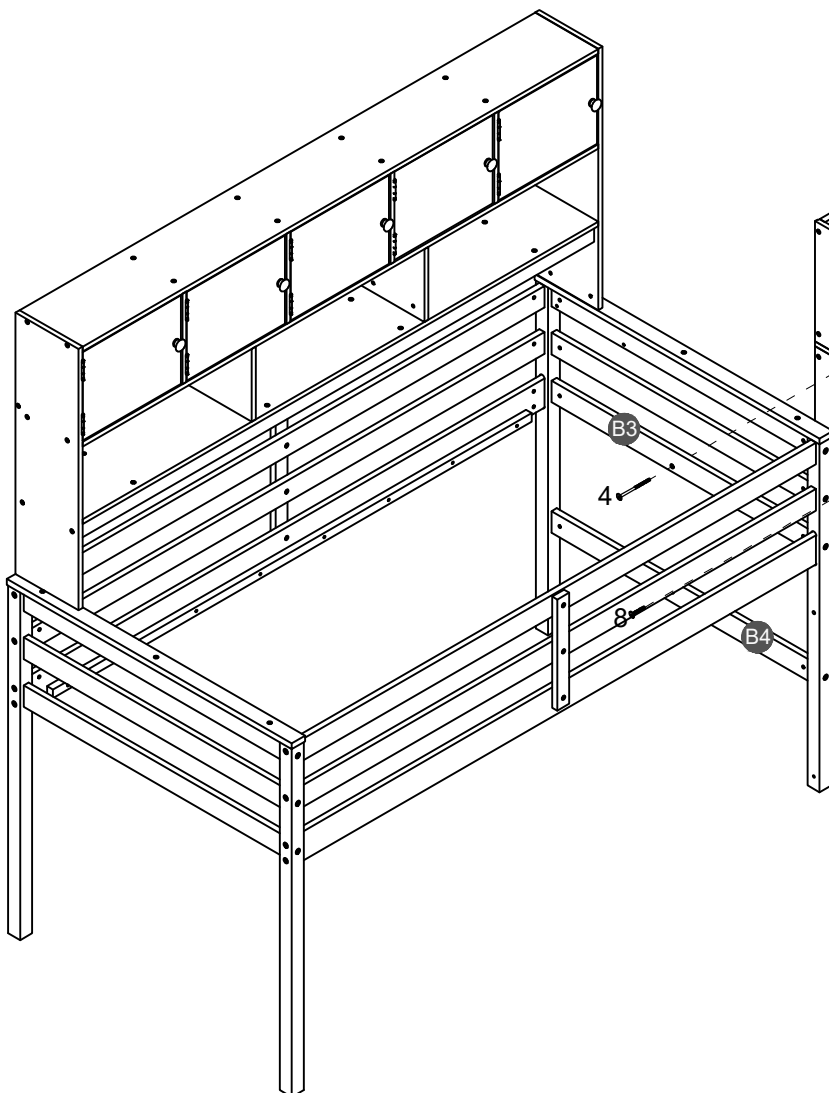
# STEP 15:






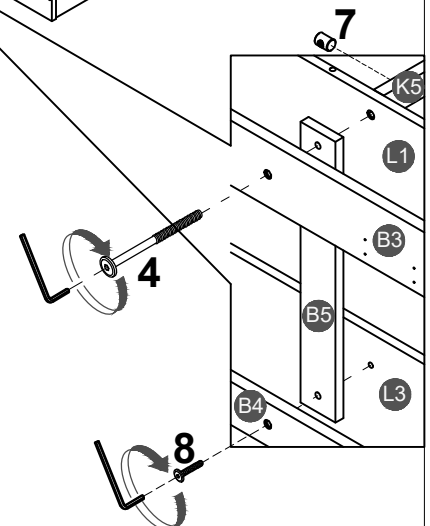
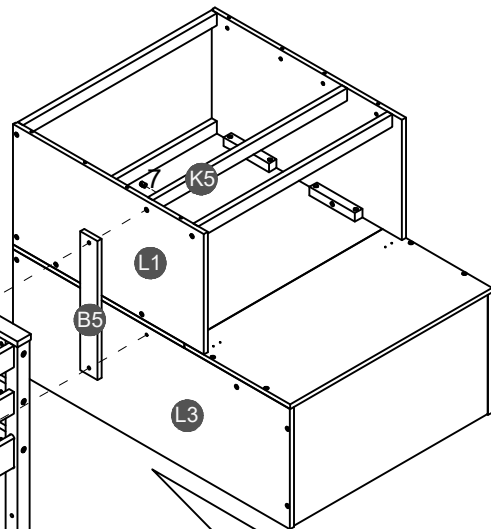
<b>2</b>		<b>8</b>	
<b>2PCS</b>		<b>4PCS</b>	



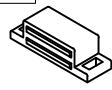


# STEP 16:

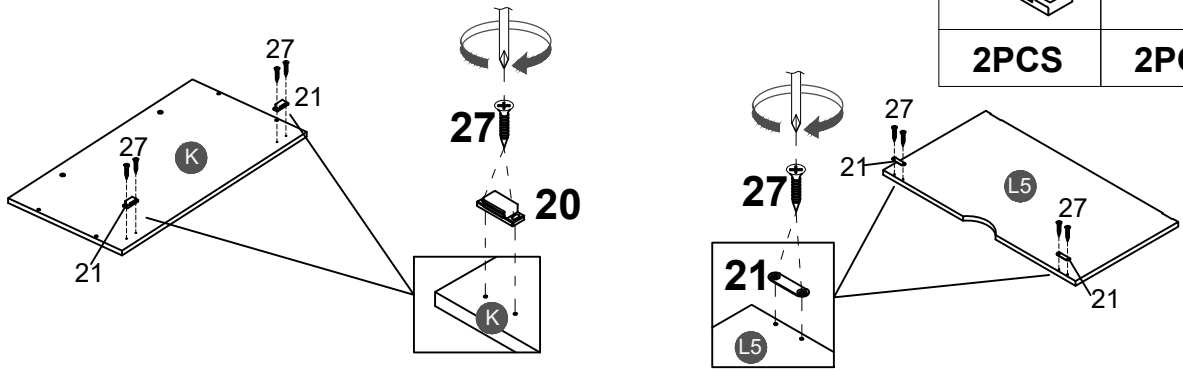


<b>4</b>		<b>7</b>		<b>8</b>	
<b>1PC</b>		<b>1PC</b>		<b>1PC</b>	






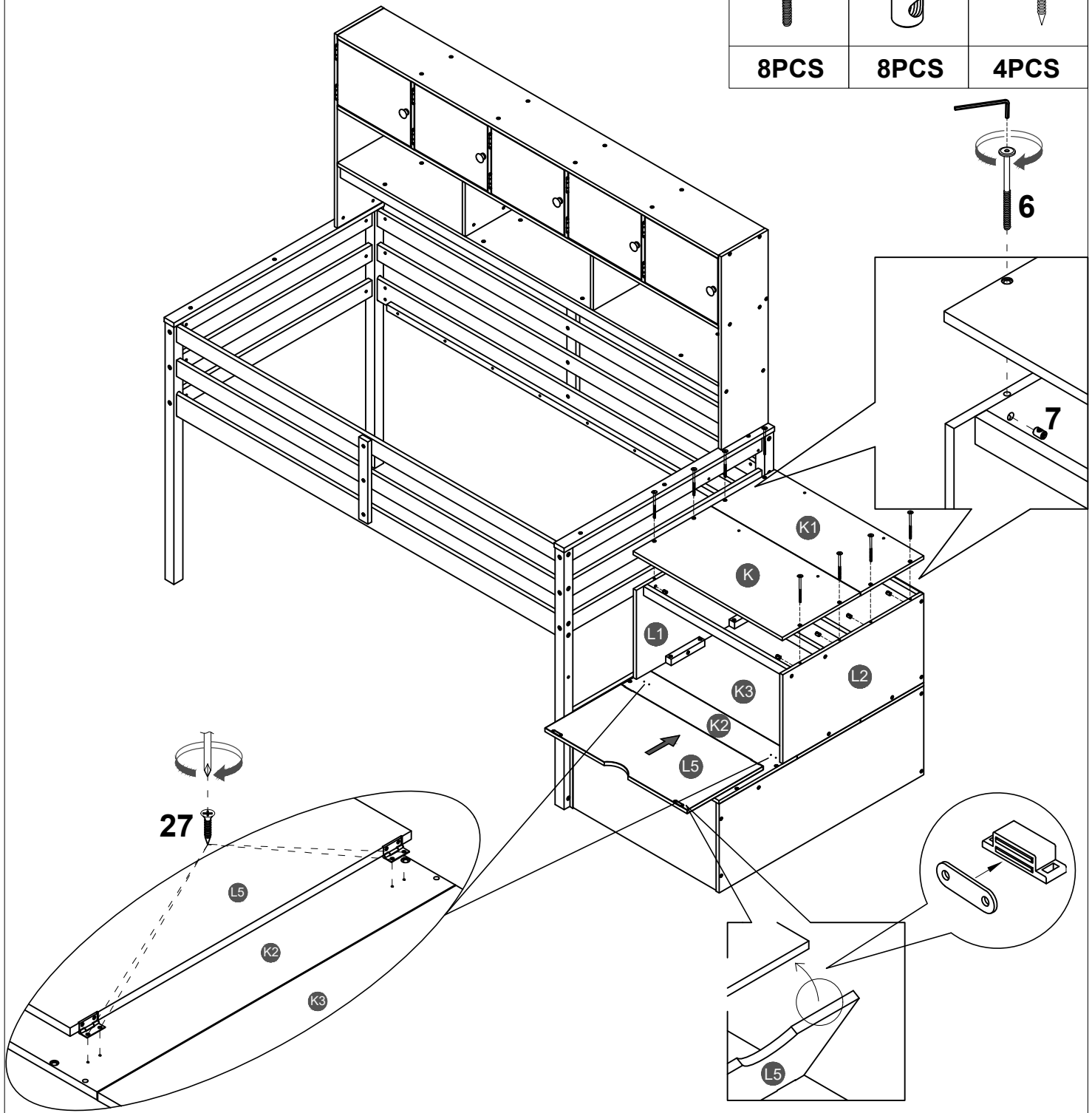
# STEP 17:

<b>20</b> 	<b>21</b> 	<b>27</b> 
<b>2PCS</b>	<b>2PCS</b>	<b>8PCS</b>

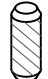

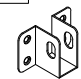




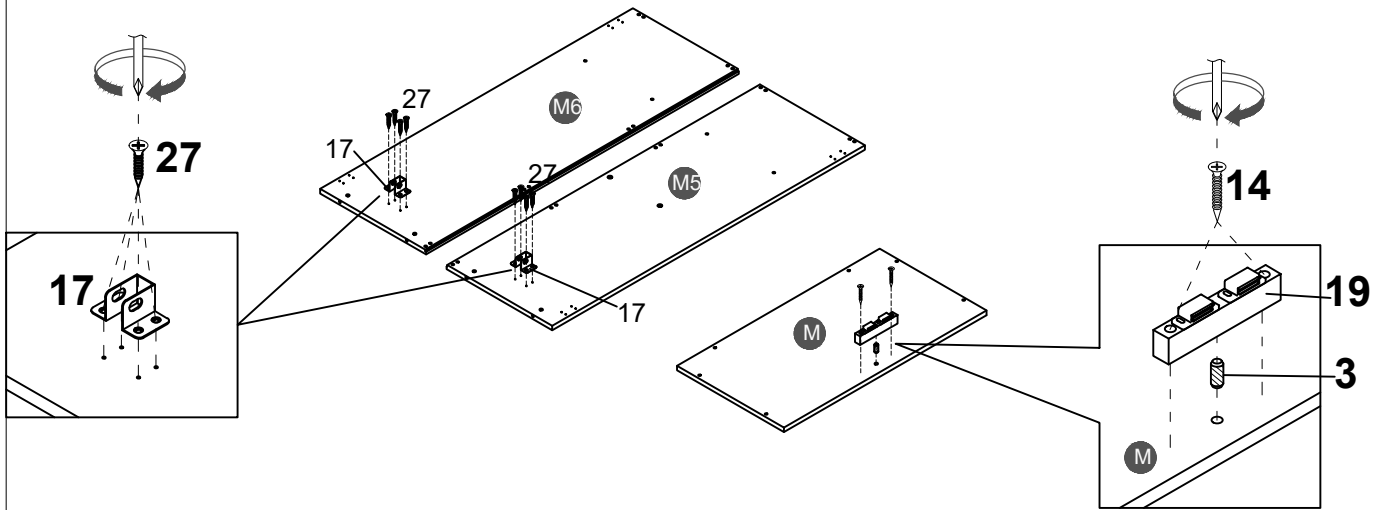
# STEP 18:

<b>6</b> 	<b>7</b> 	<b>27</b> 
<b>8PCS</b>	<b>8PCS</b>	<b>4PCS</b>

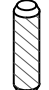




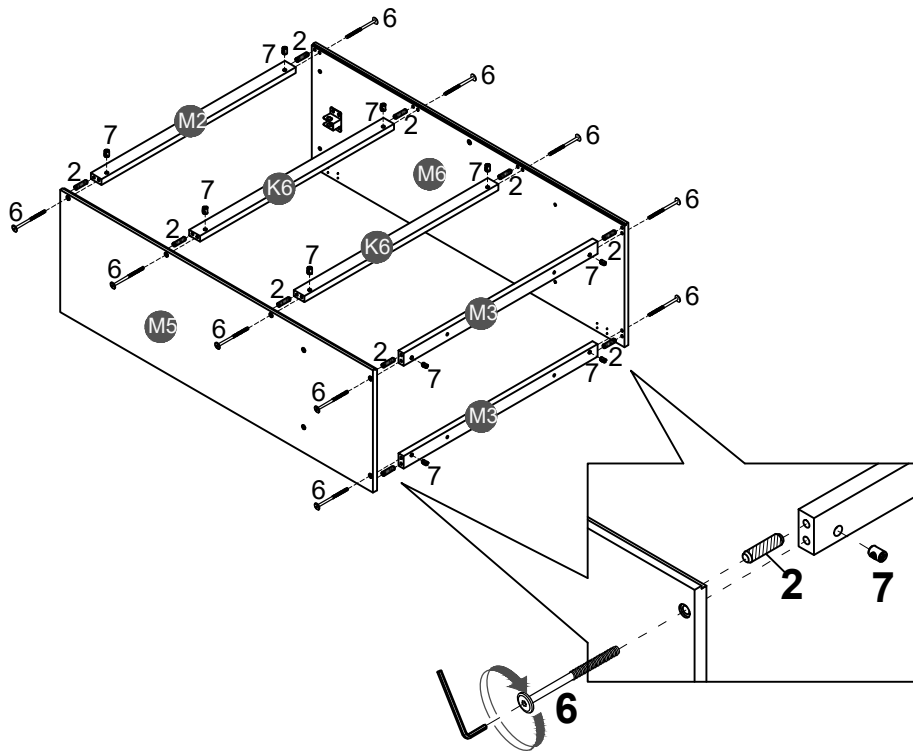
# STEP 19:

<b>3</b>		<b>14</b>		<b>17</b>		<b>19</b>		<b>27</b>	
<b>1PC</b>		<b>2PCS</b>		<b>2PCS</b>		<b>1PC</b>		<b>8PCS</b>	





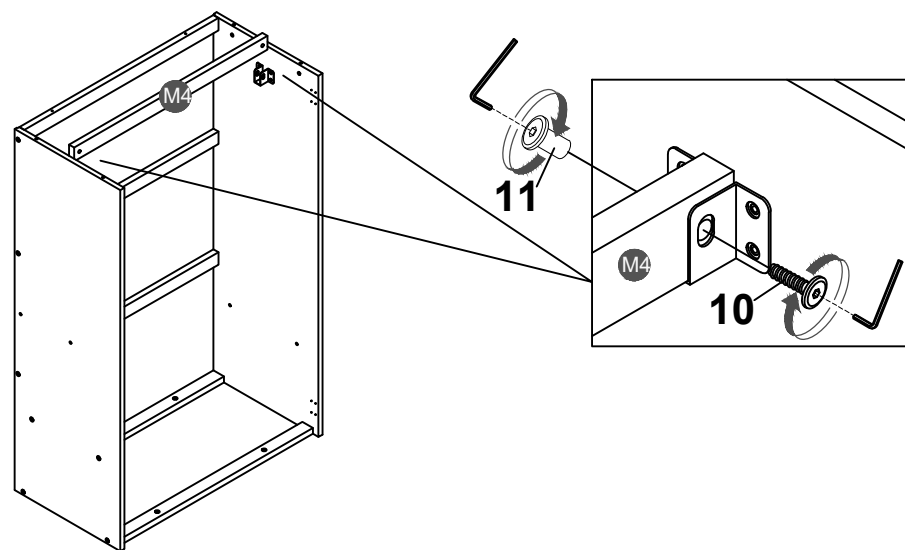
# STEP 20:

<b>2</b>		<b>6</b>		<b>7</b>	
<b>10PCS</b>		<b>10PCS</b>		<b>10PCS</b>	

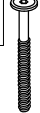

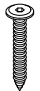


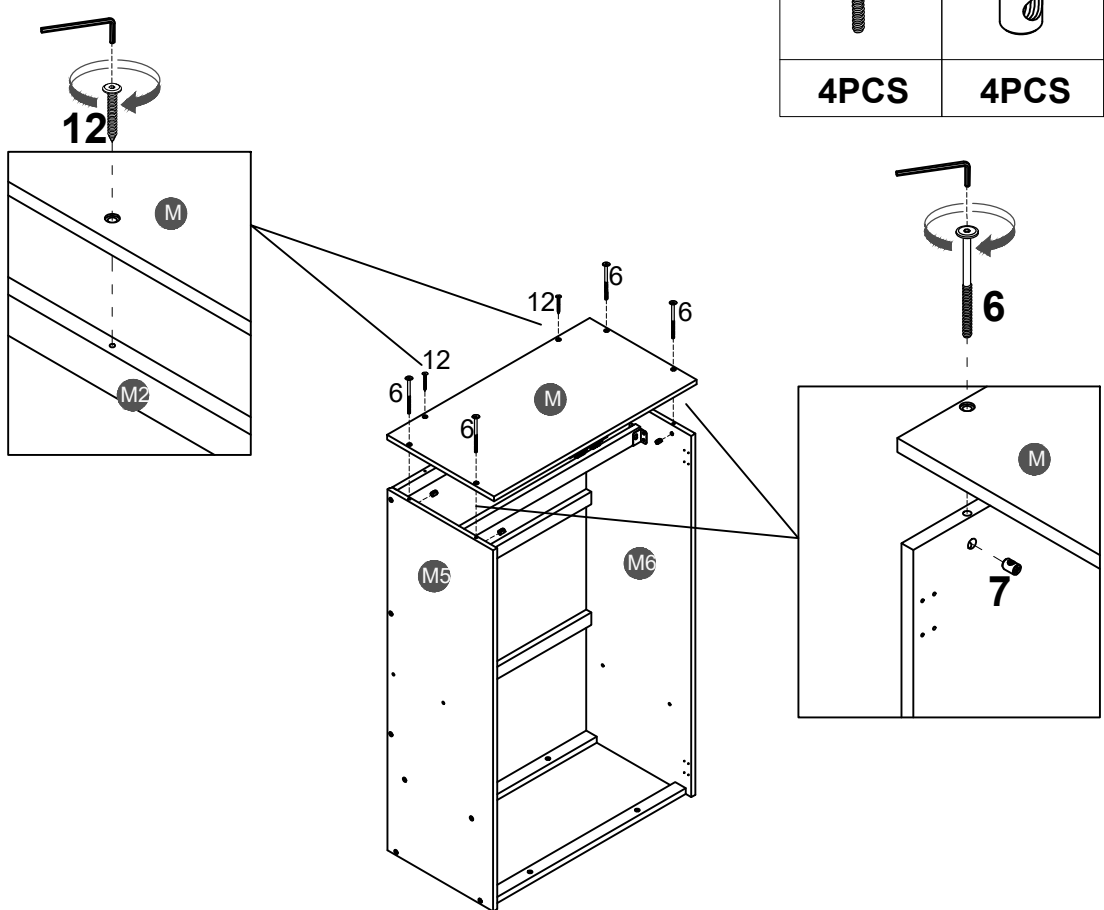
# STEP 21:

<b>10</b>		<b>11</b>	
<b>2PCS</b>		<b>2PCS</b>	


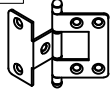



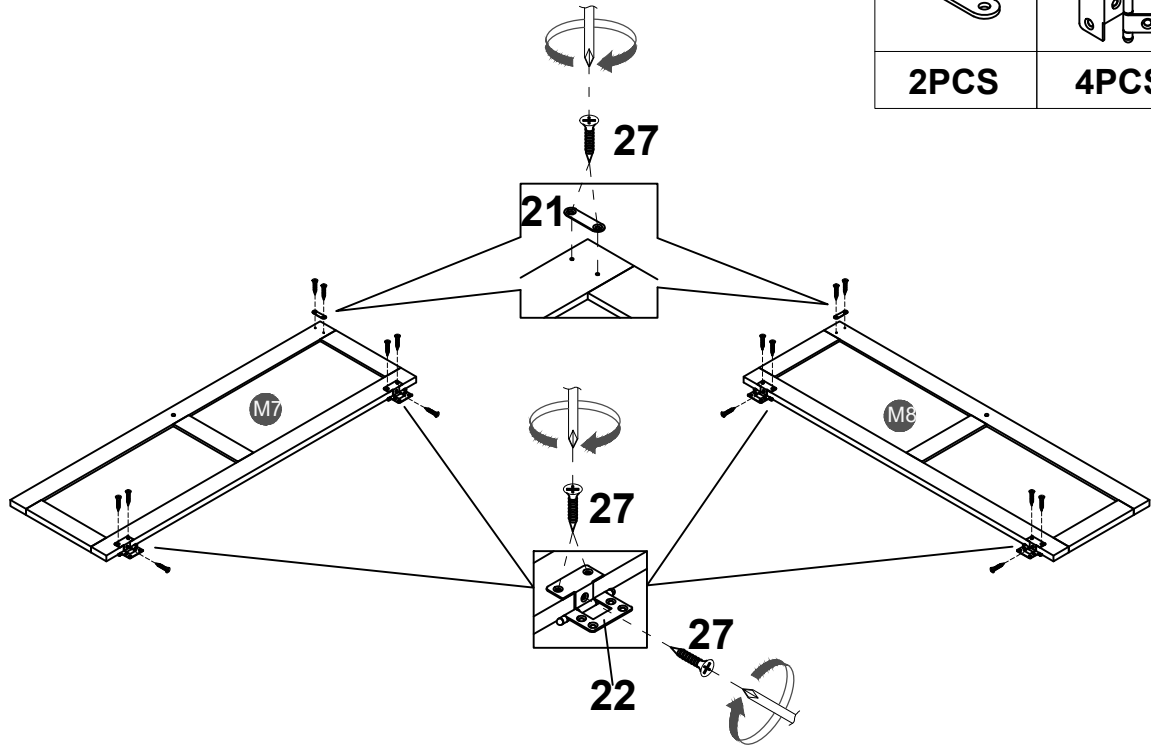
# STEP 22:

<b>6</b>		<b>7</b>		<b>12</b>	
<b>4PCS</b>		<b>4PCS</b>		<b>2PCS</b>	




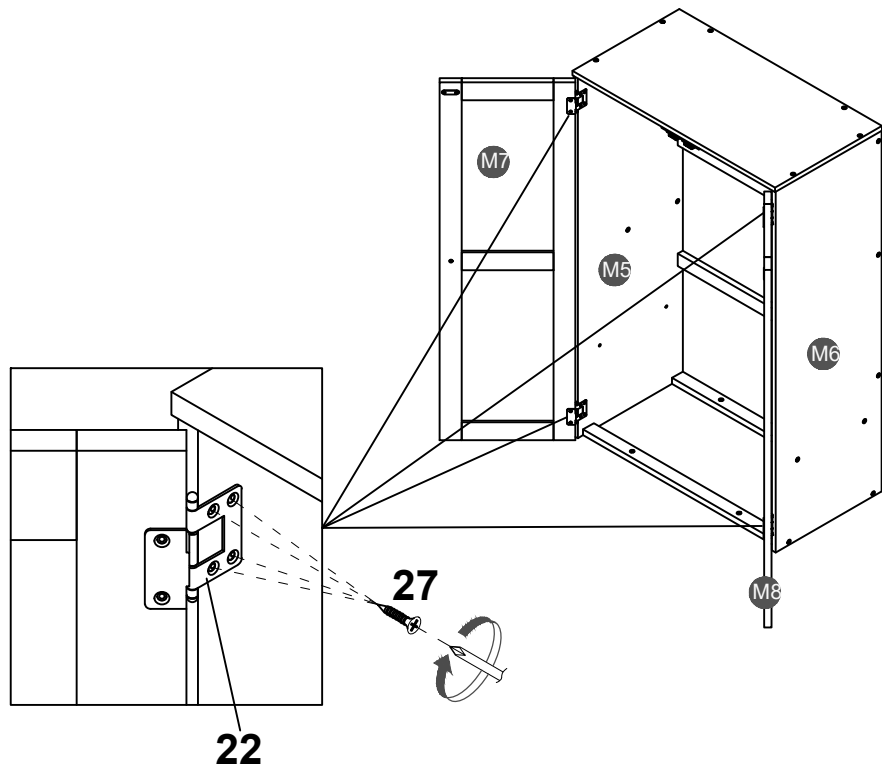
# STEP 23:

<b>21</b> 	<b>22</b> 	<b>27</b> 
<b>2PCS</b>	<b>4PCS</b>	<b>16PCS</b>

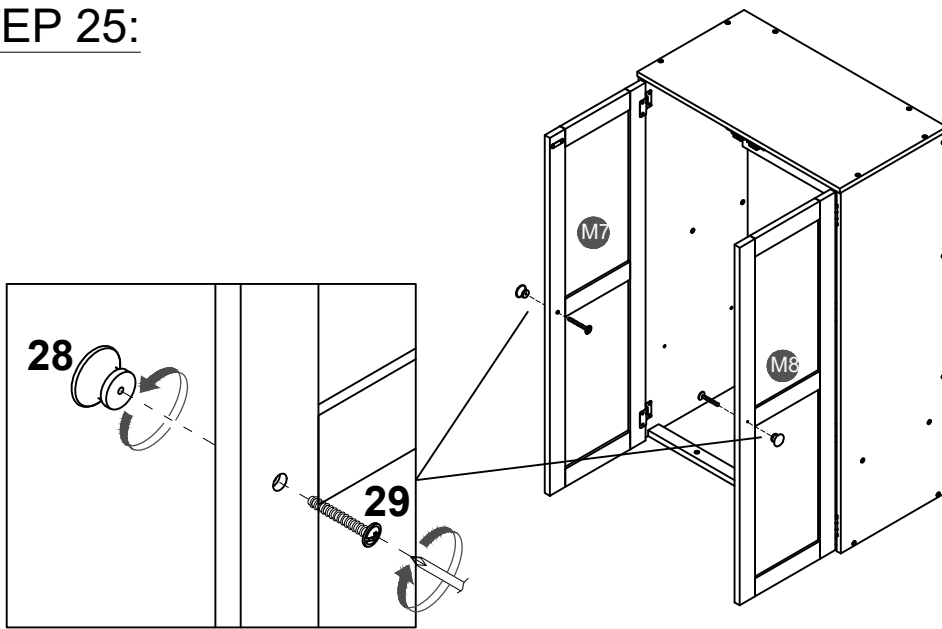


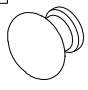

# STEP 24:

<b>27</b> 
<b>16PCS</b>

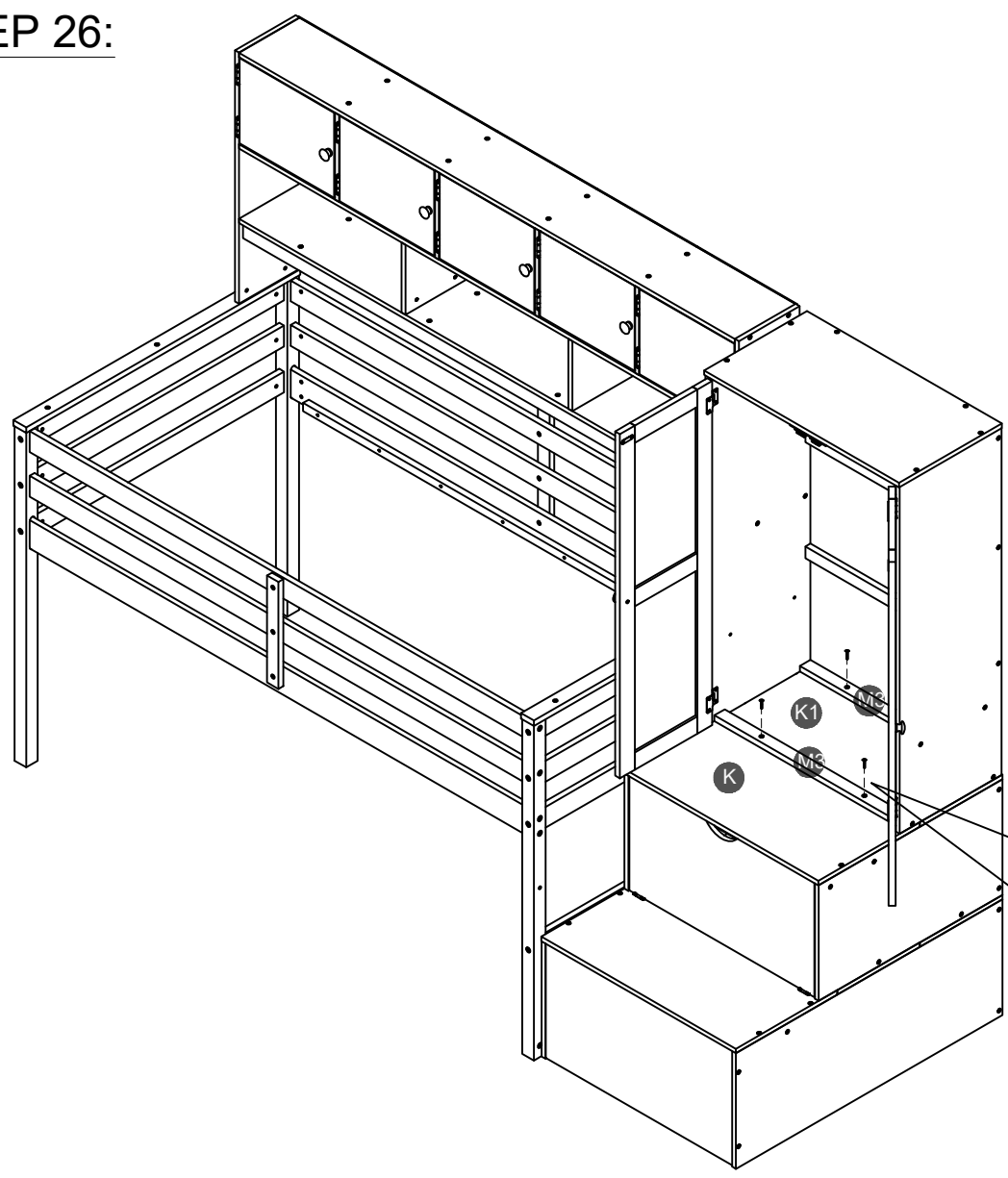



**STEP 25:**

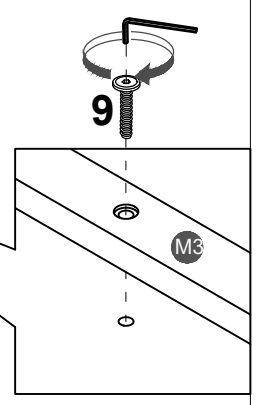


<b>28</b>		<b>29</b>	
<b>2PCS</b>		<b>2PCS</b>	

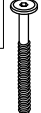


**STEP 26:**

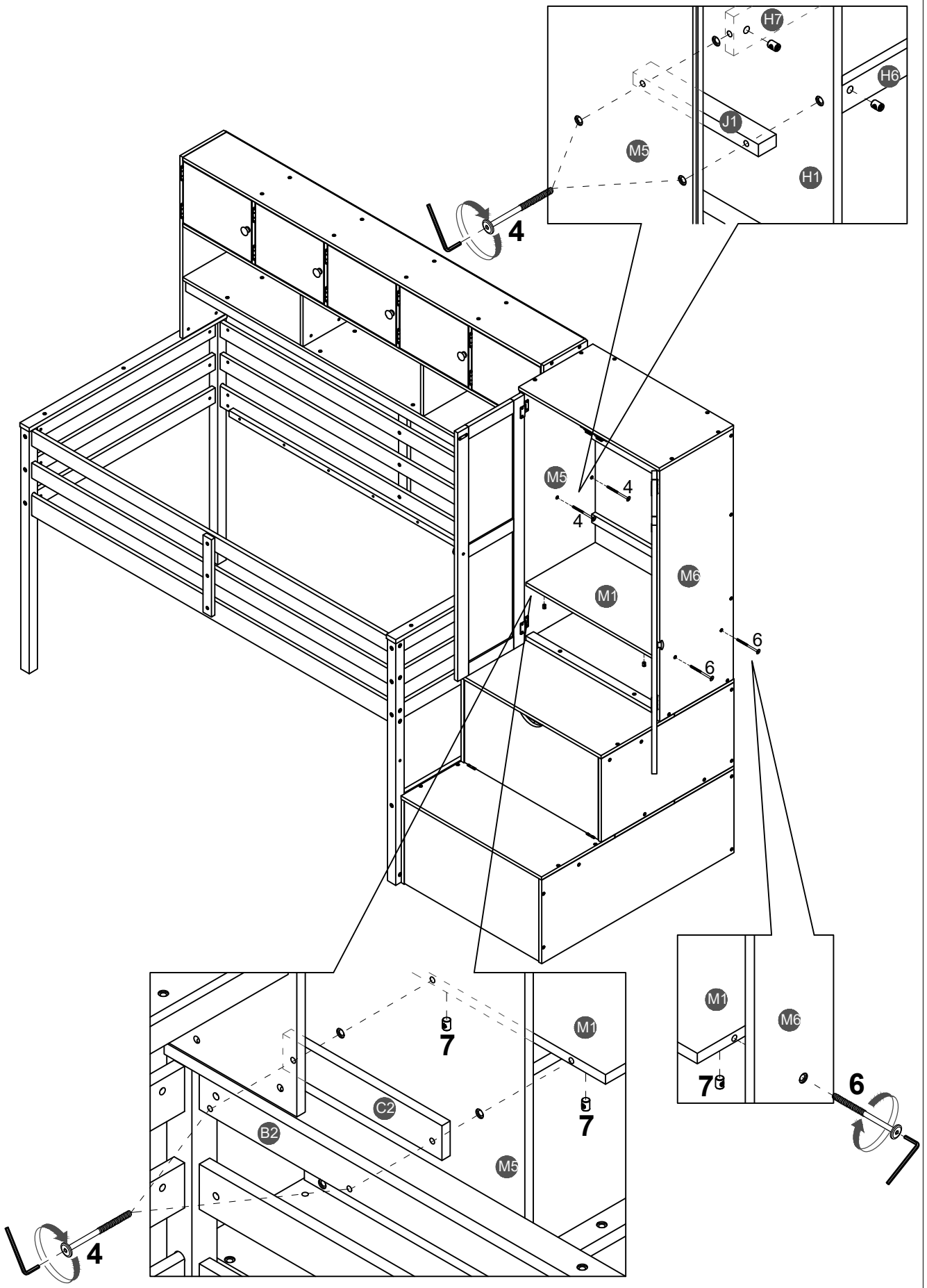


<b>9</b>	
<b>4PCS</b>	



# STEP 27:

<b>4</b> 	<b>6</b> 	<b>7</b> 
<b>4PCS</b>	<b>2PCS</b>	<b>6PCS</b>

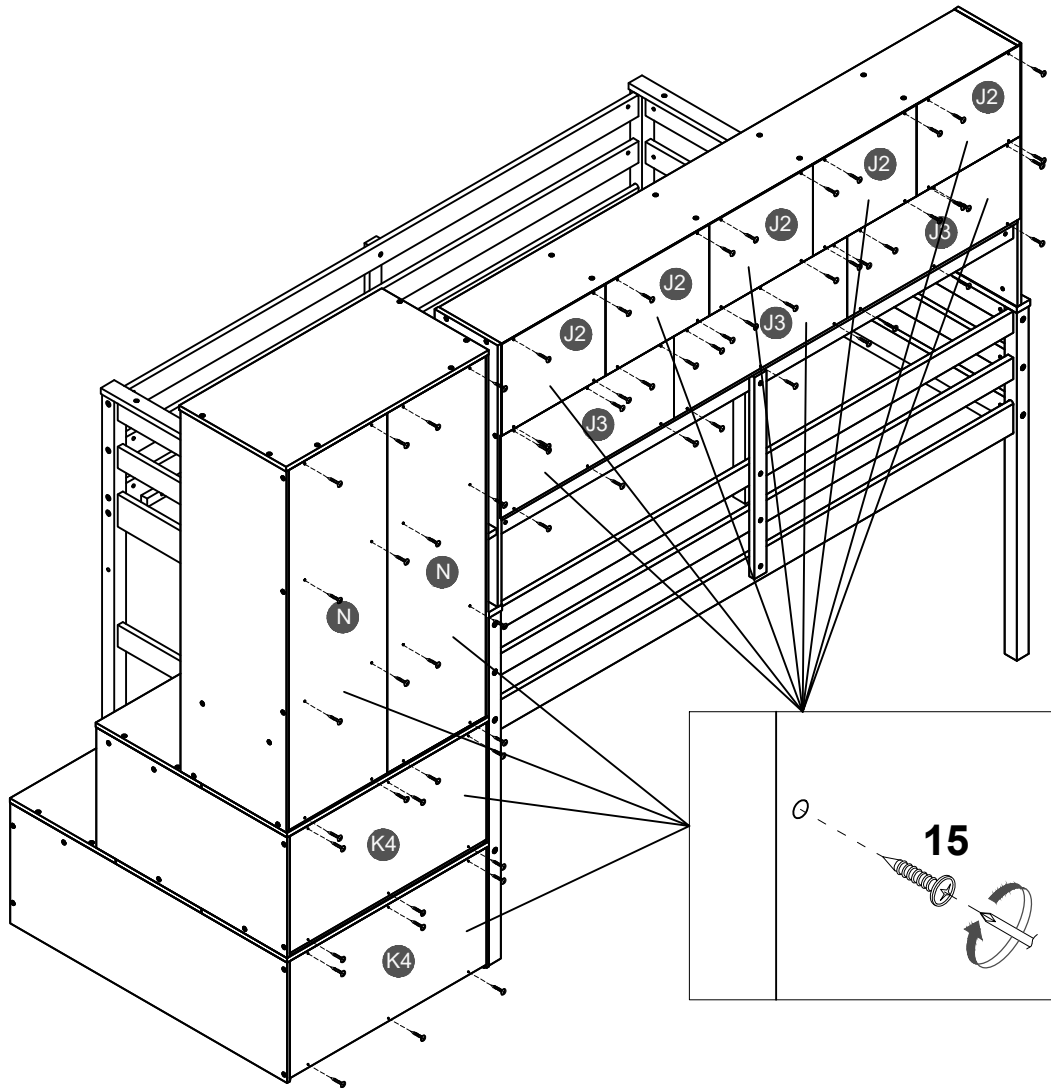


**STEP 28:**

**15**




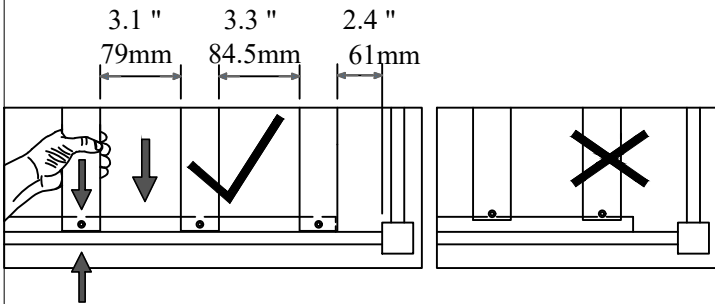
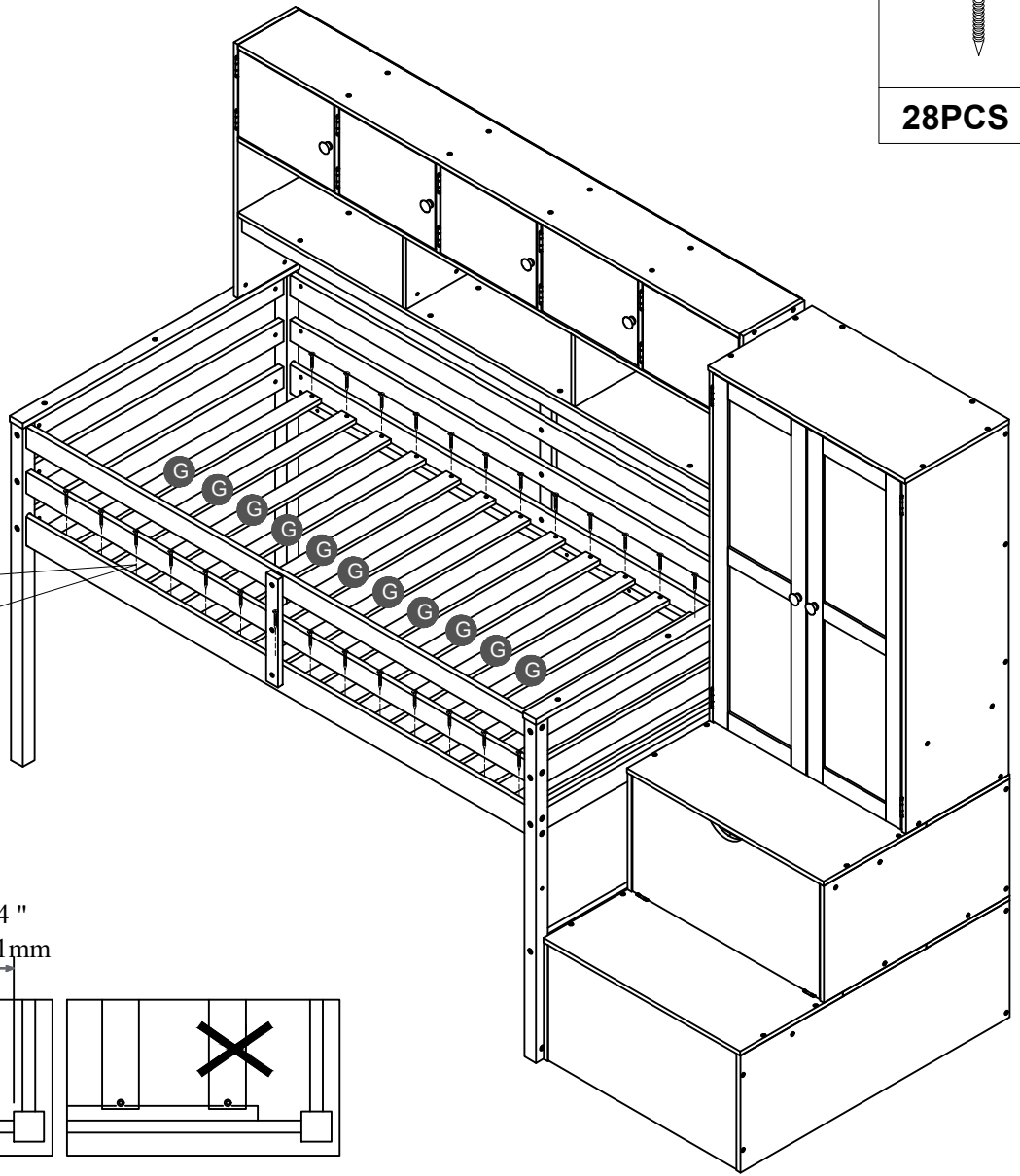
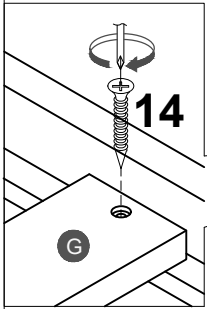
**66PCS**





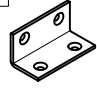

# STEP 29:

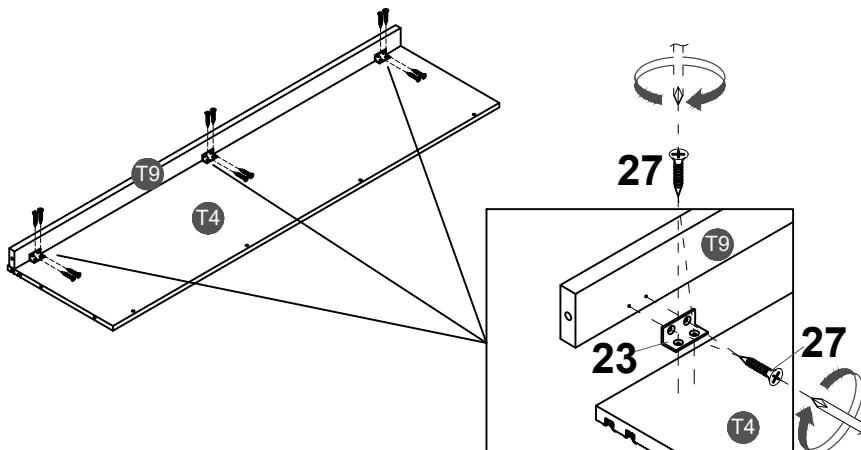
14	
28PCS	



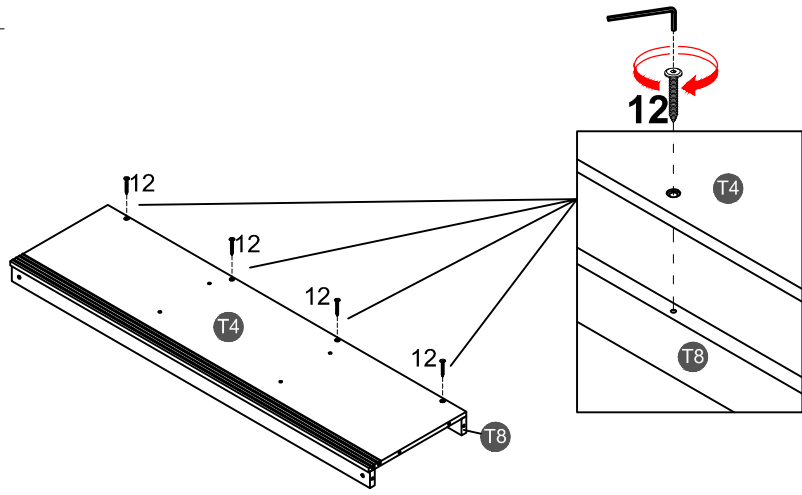
**NOTE:** Please make sure the bed slats close to the side rail before locking the screws to avoid breakage. This step is required for both the left and right sides. Moreover, please do not lock the screws of the bed slats at the outermost edge to avoid damaging.


# STEP 30:

23	27
	
3PCS	12PCS

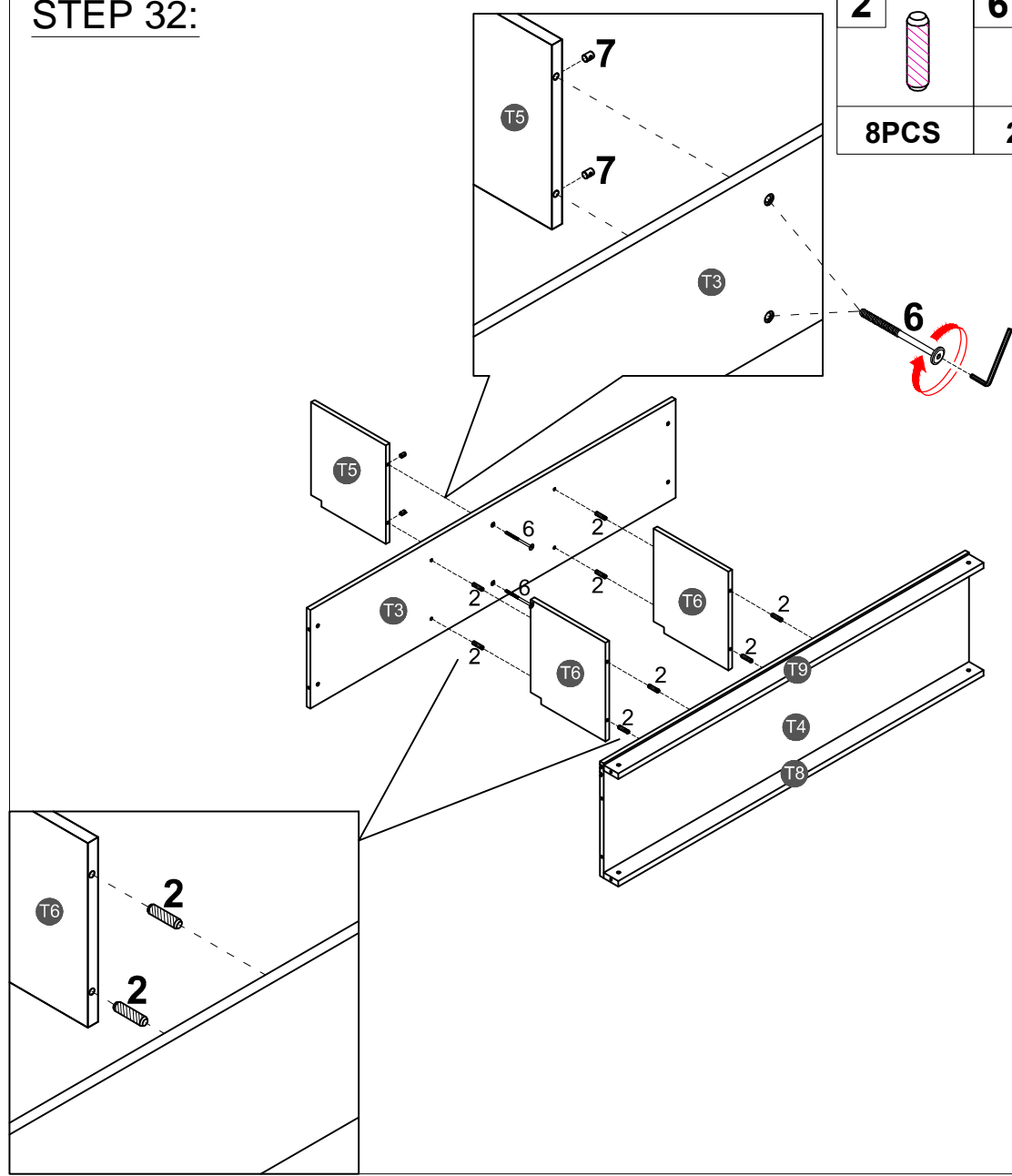





**STEP 31:**






<b>12</b>	
<b>4PCS</b>	

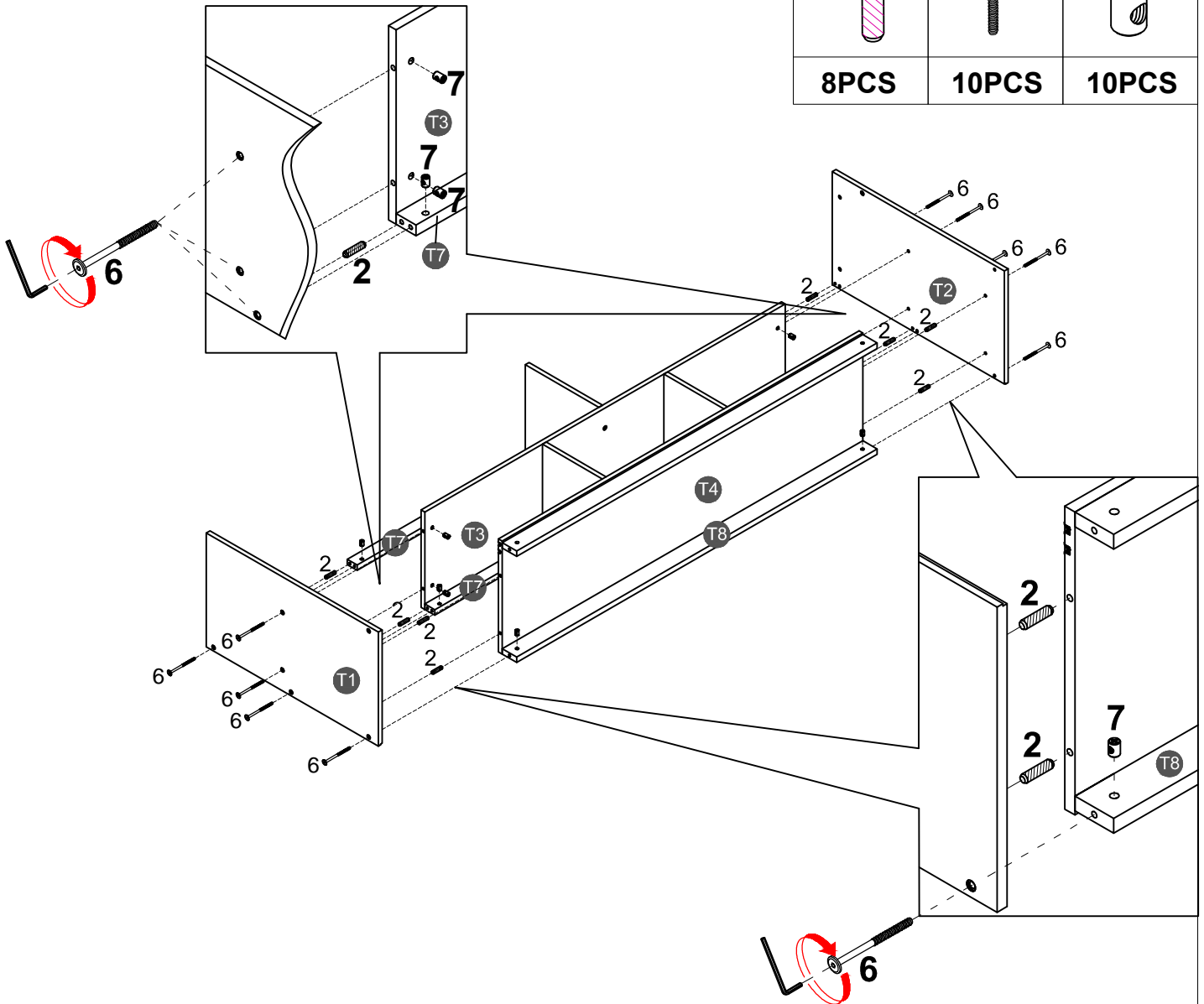
**STEP 32:**





<b>2</b>		<b>6</b>		<b>7</b>	
<b>8PCS</b>		<b>2PCS</b>		<b>2PCS</b>	

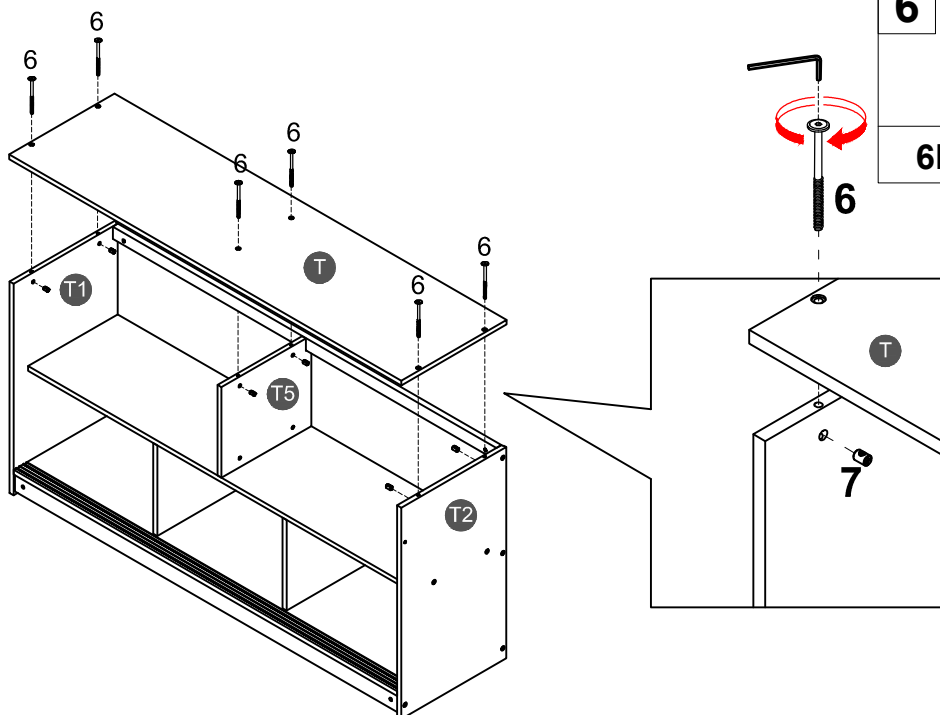
**STEP 33:**

<b>2</b>		<b>6</b>		<b>7</b>	
<b>8PCS</b>		<b>10PCS</b>		<b>10PCS</b>	

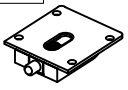
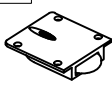



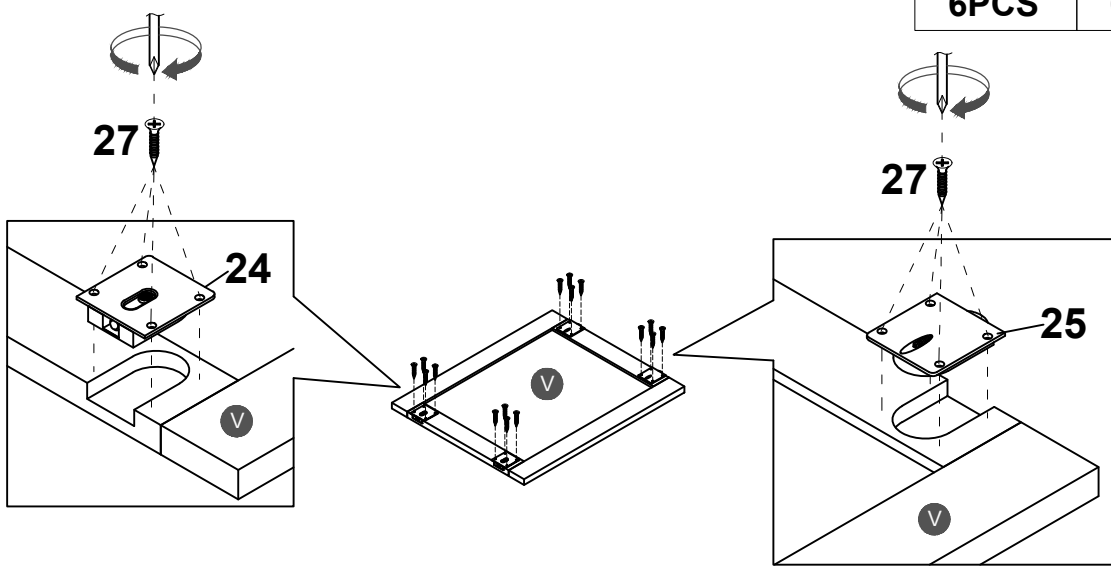
**STEP 34:**

<b>6</b>		<b>7</b>	
<b>6PCS</b>		<b>6PCS</b>	




**STEP 35:**

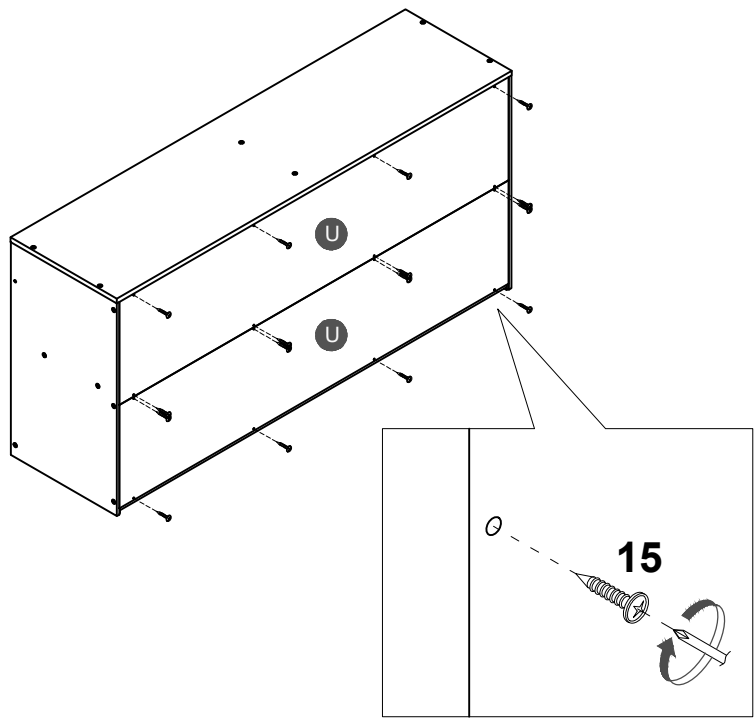
<b>24</b> 	<b>25</b> 	<b>27</b> 
<b>6PCS</b>	<b>6PCS</b>	<b>48PCS</b>



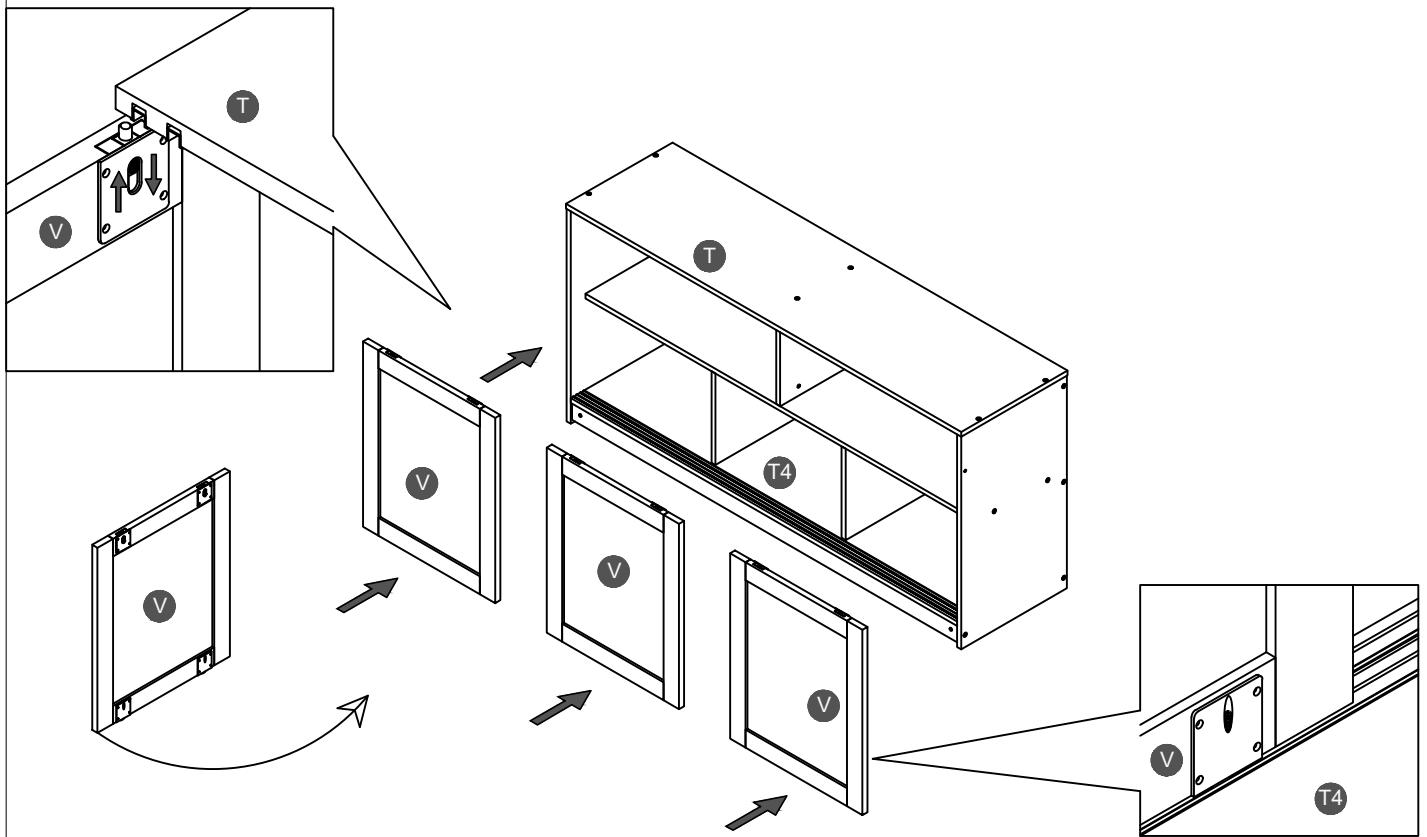
**x 3**

**STEP 36:**

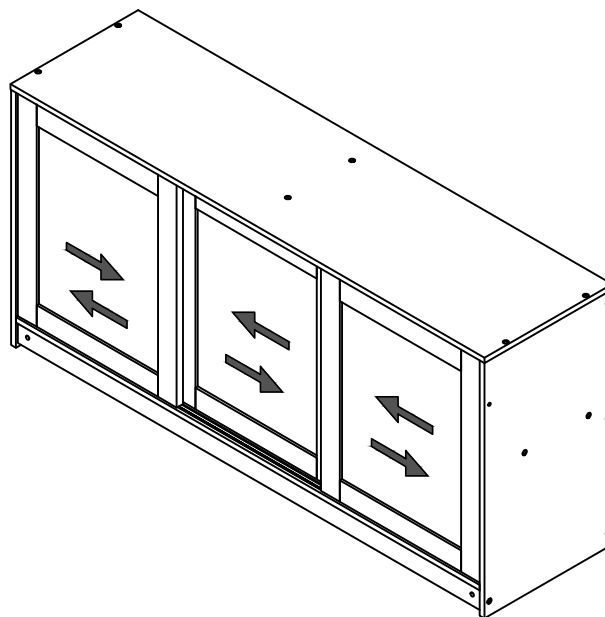
<b>15</b> 
<b>16PCS</b>



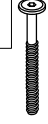
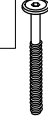

## STEP 37:

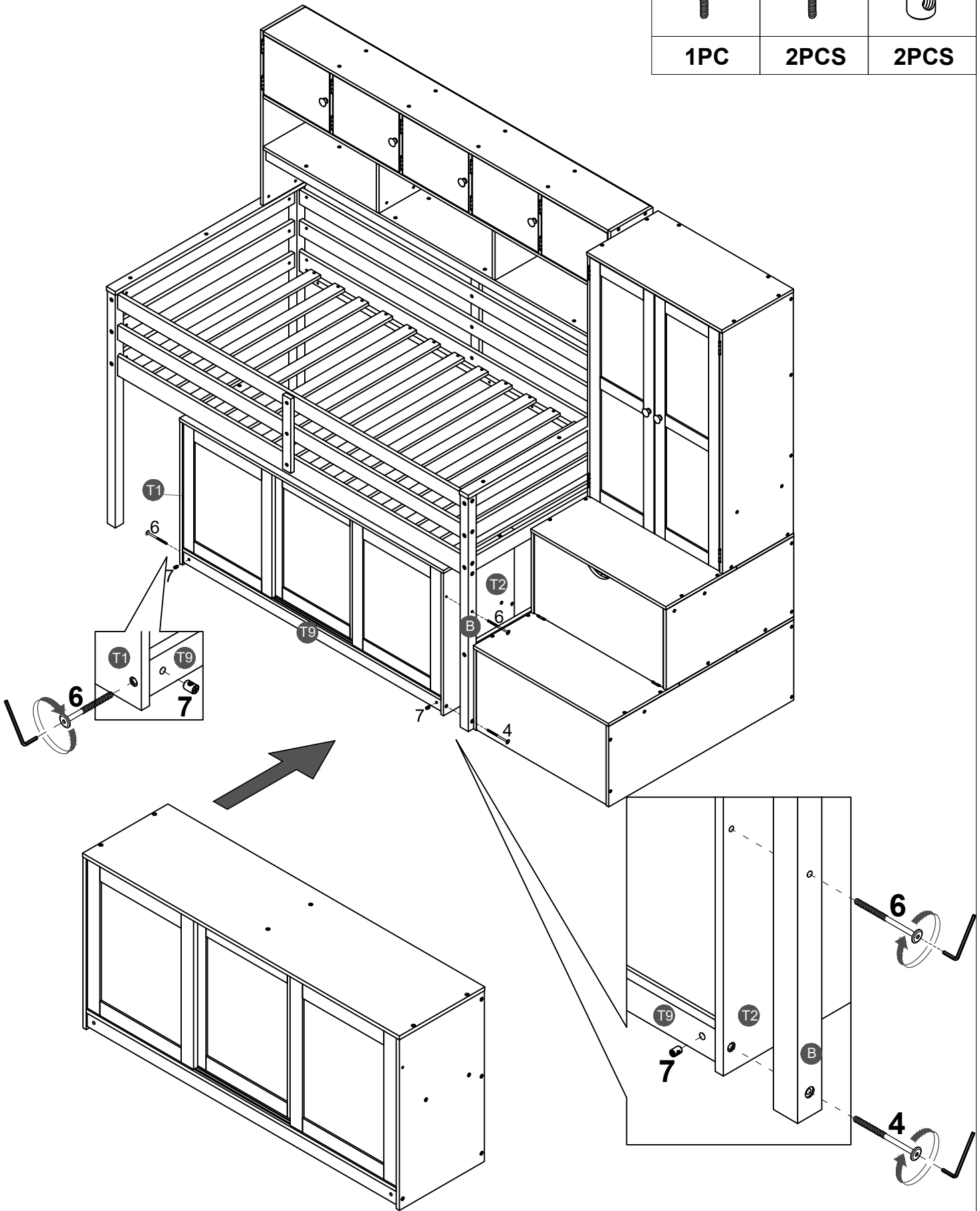


Note: Move the sliding door into the correct position of the slide, then turn on the guide latch at the top so that the door sits in the slide!



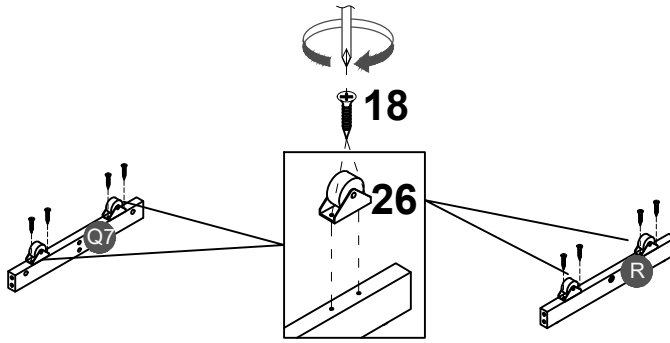
# STEP 38:

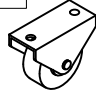

<b>4</b>		<b>6</b>		<b>7</b>	
<b>1PC</b>		<b>2PCS</b>		<b>2PCS</b>	



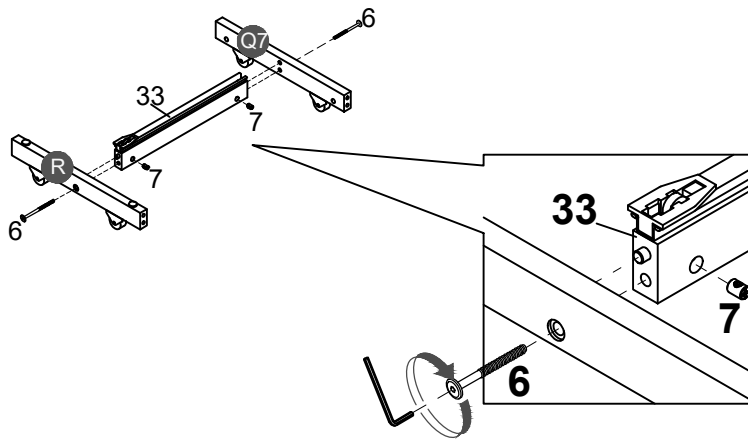
Note: Move into the cabinet then use Part (4)&(6) bolts and fix the Part (7) horizontal lock to the foot of the bed.




**STEP 39:**



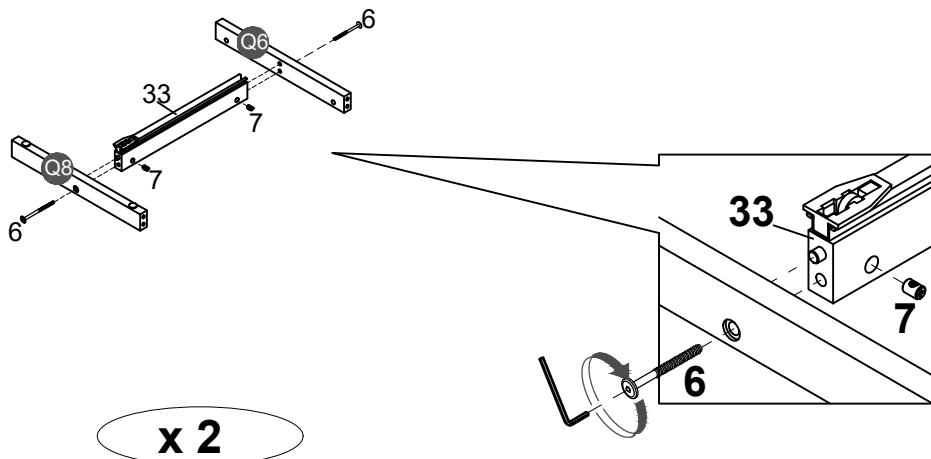
<b>26</b>	<b>18</b>
	
<b>4PCS</b>	<b>8PCS</b>




**STEP 40:**



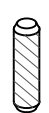
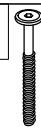

<b>6</b>	<b>7</b>	<b>33</b>
		
<b>2PCS</b>	<b>2PCS</b>	<b>1PC</b>

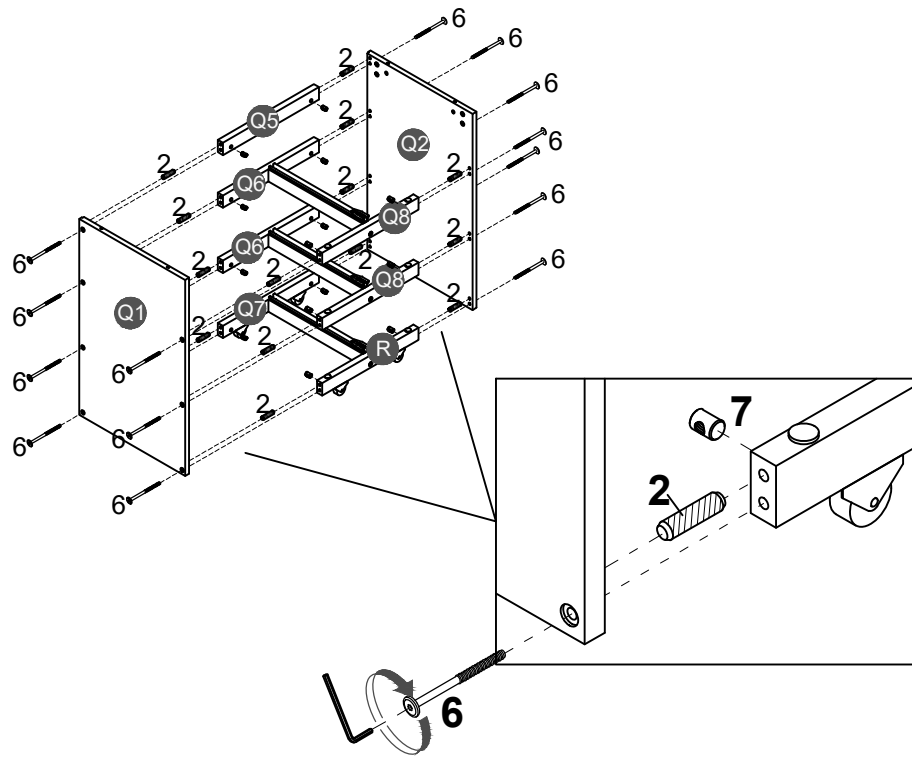
**STEP 41:**




<b>6</b>	<b>7</b>	<b>33</b>
		
<b>4PCS</b>	<b>4PCS</b>	<b>2PCS</b>

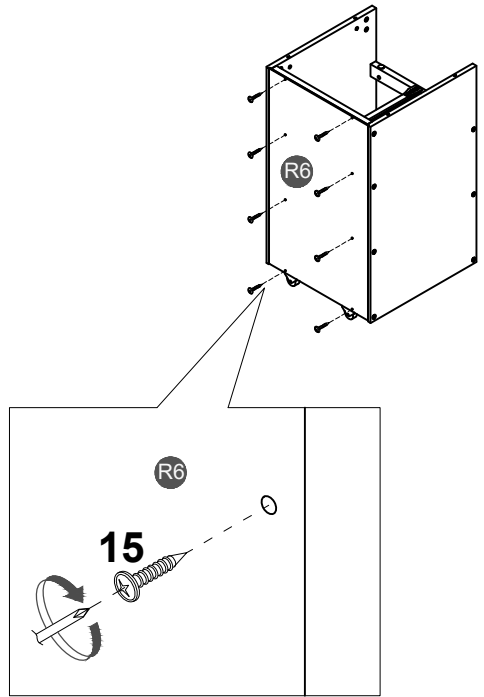
# STEP 42:

<b>2</b>		<b>6</b>		<b>7</b>	
<b>14PCS</b>		<b>14PCS</b>		<b>14PCS</b>	



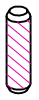


# STEP 43:

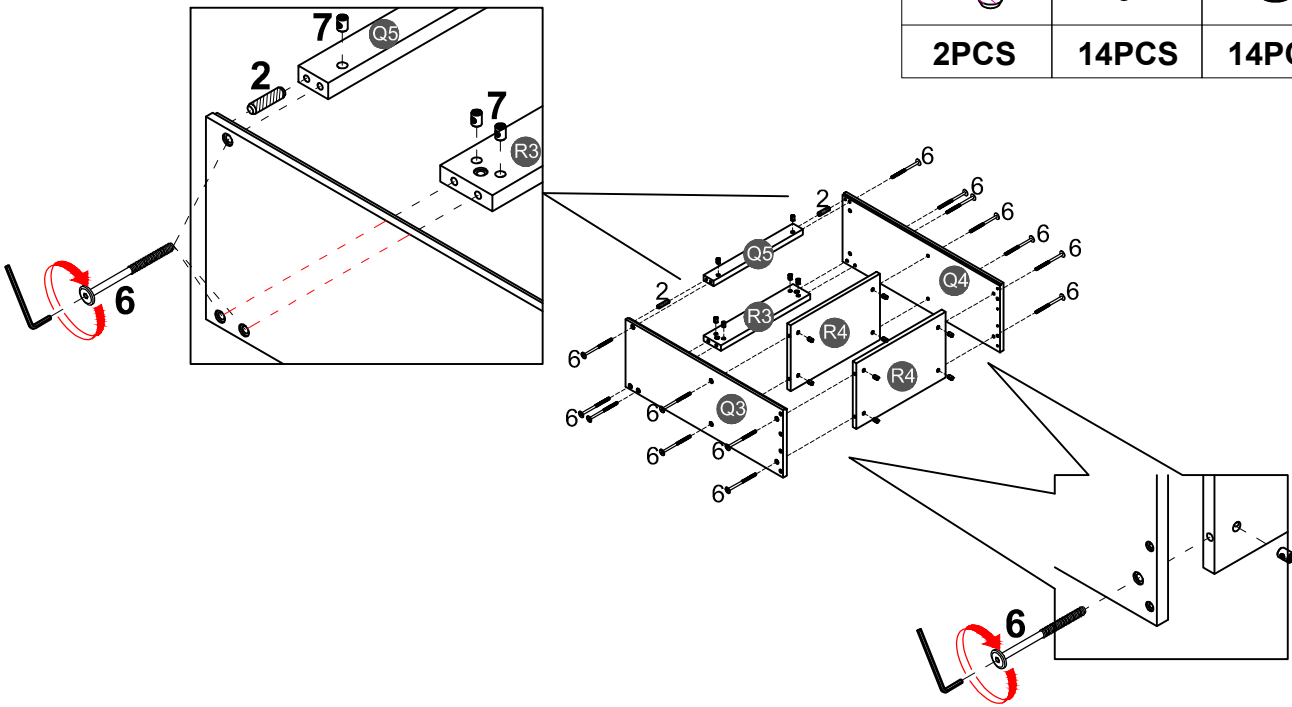
<b>15</b>	
<b>8PCS</b>	





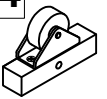


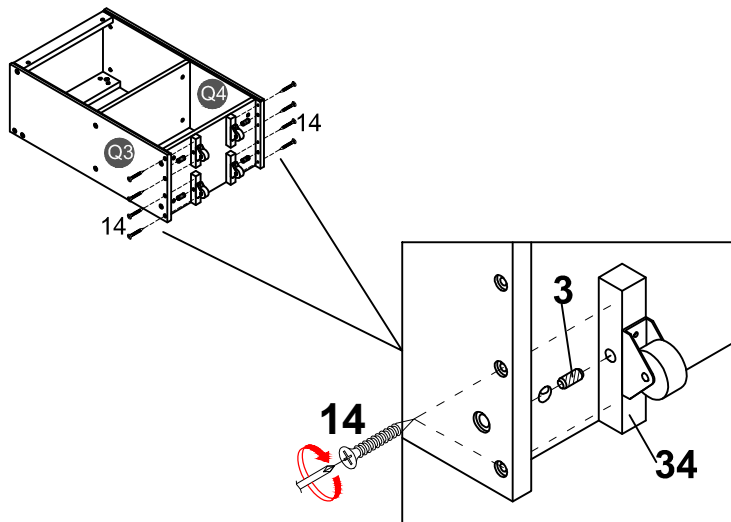
**STEP 44:**

<b>2</b>		<b>6</b>		<b>7</b>	
<b>2PCS</b>		<b>14PCS</b>		<b>14PCS</b>	



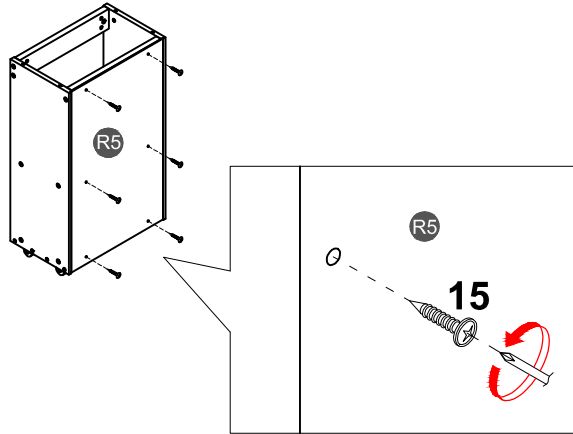
**STEP 45:**

<b>3</b>		<b>14</b>		<b>34</b>	
<b>4PCS</b>		<b>8PCS</b>		<b>4PCS</b>	





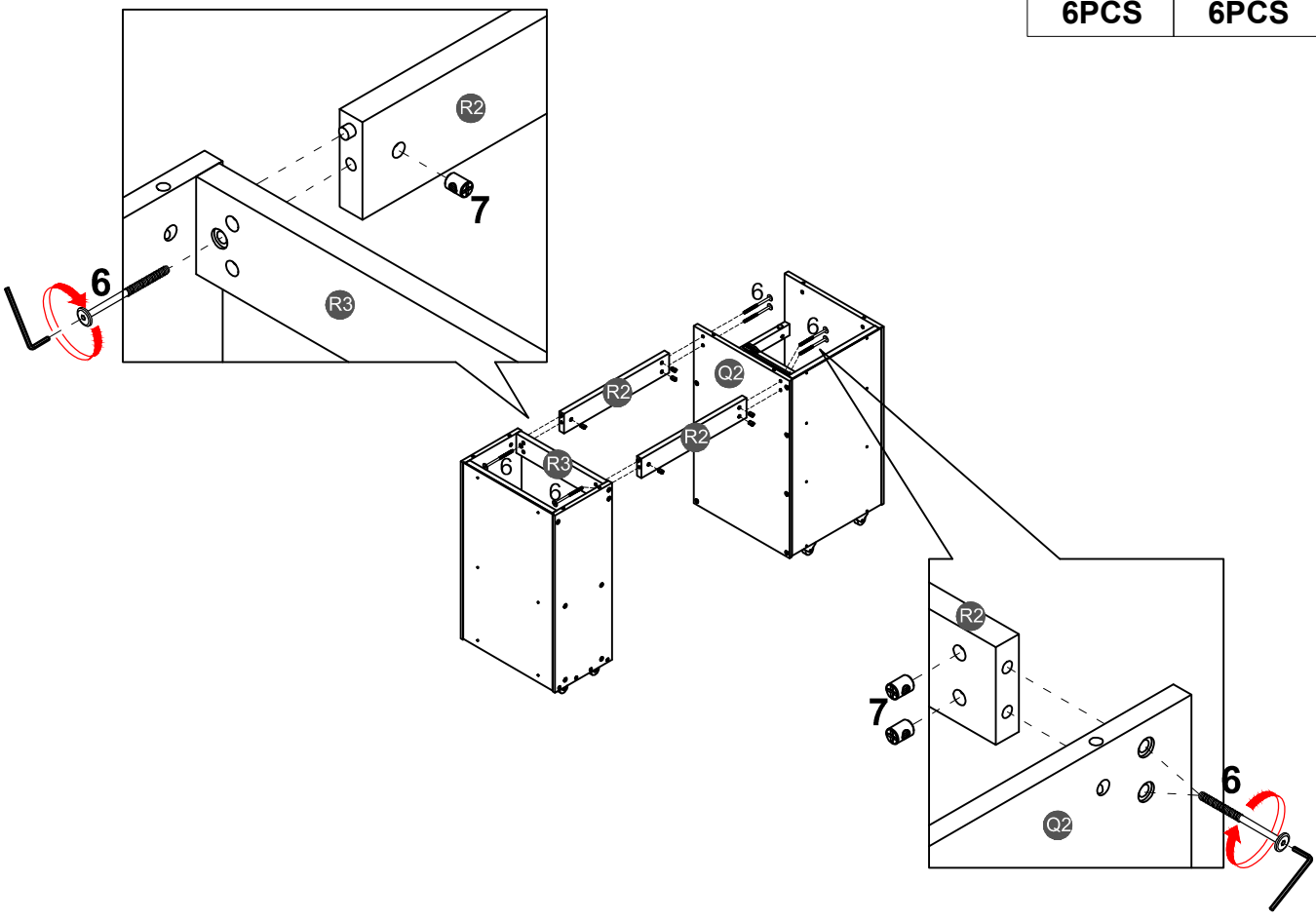
**STEP 46:**

<b>15</b>	
<b>6PCS</b>	

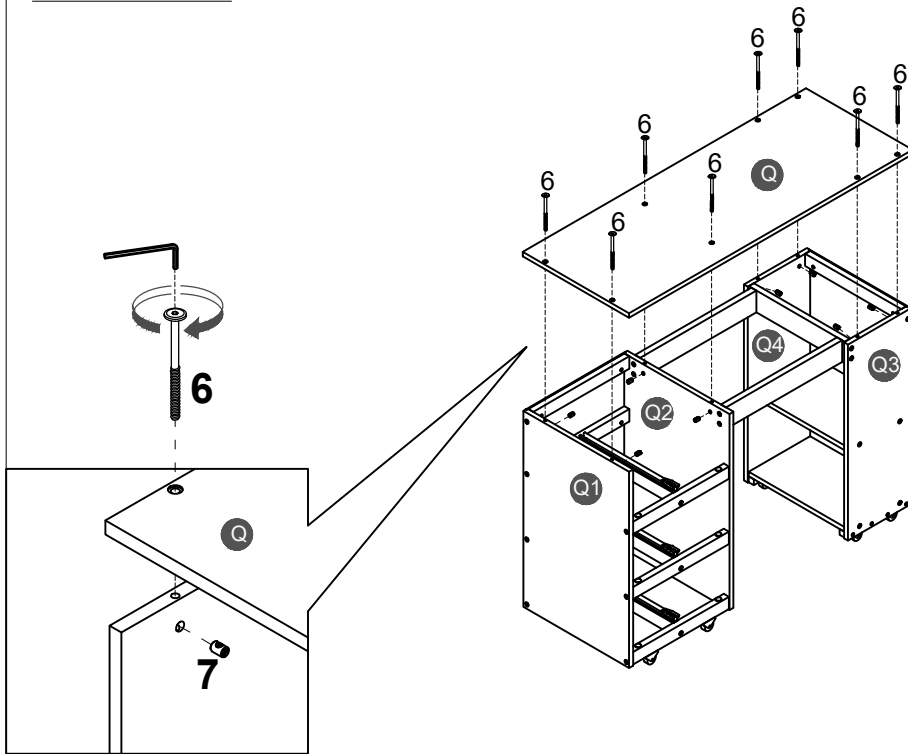




**STEP 47:**

<b>6</b>		<b>7</b>	
<b>6PCS</b>		<b>6PCS</b>	

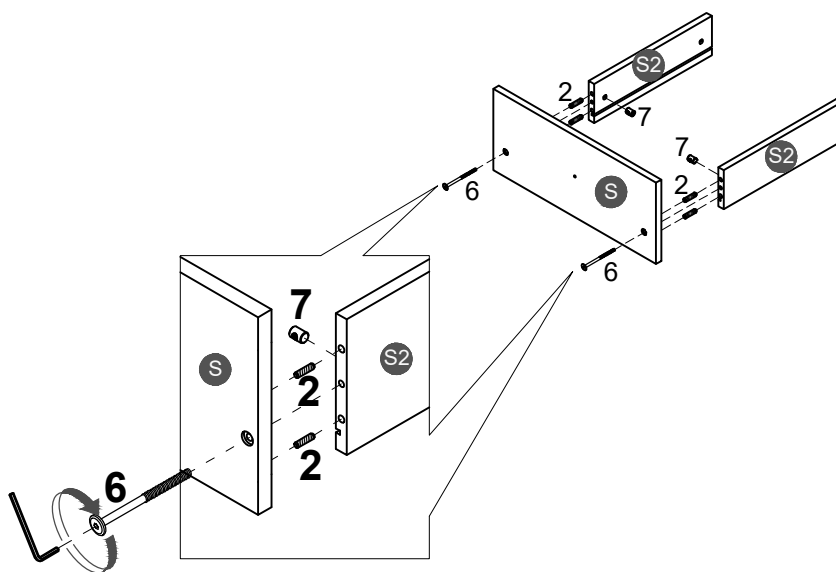





# STEP 48:



<b>6</b>		<b>7</b>	
<b>8PCS</b>		<b>8PCS</b>	


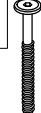

# STEP 49:

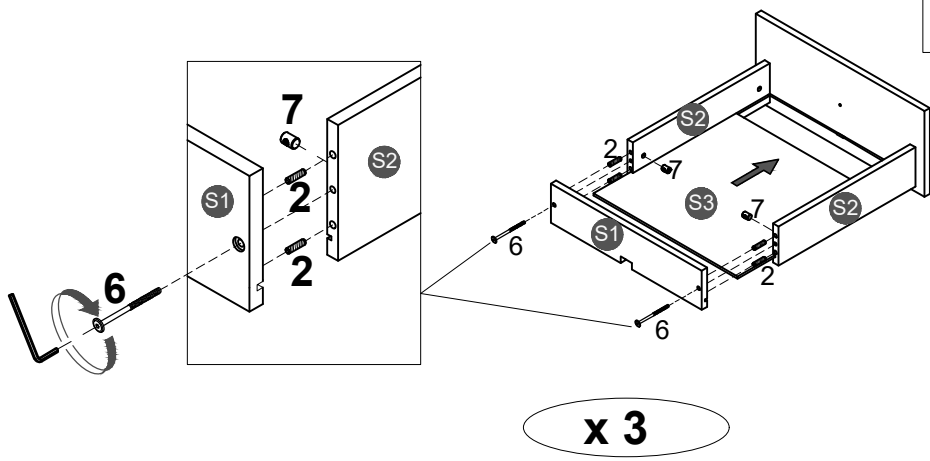


<b>2</b>		<b>6</b>		<b>7</b>	
<b>12PCS</b>		<b>6PCS</b>		<b>6PCS</b>	



**x 3**

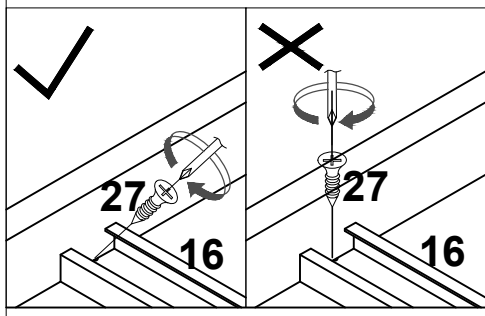
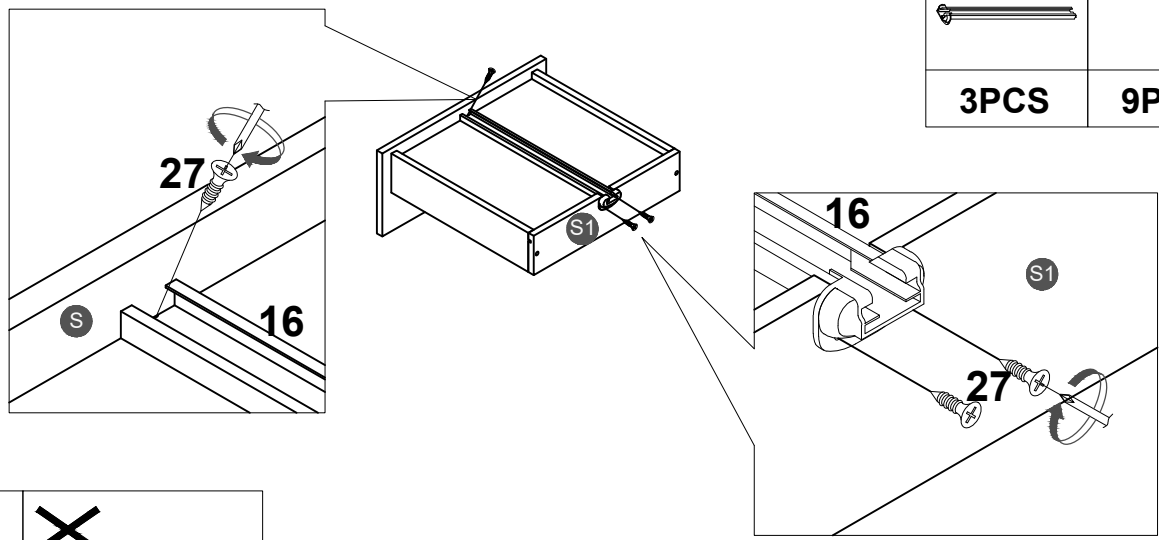
**STEP 50:**

<b>2</b>		<b>6</b>		<b>7</b>	
<b>12PCS</b>		<b>6PCS</b>		<b>6PCS</b>	





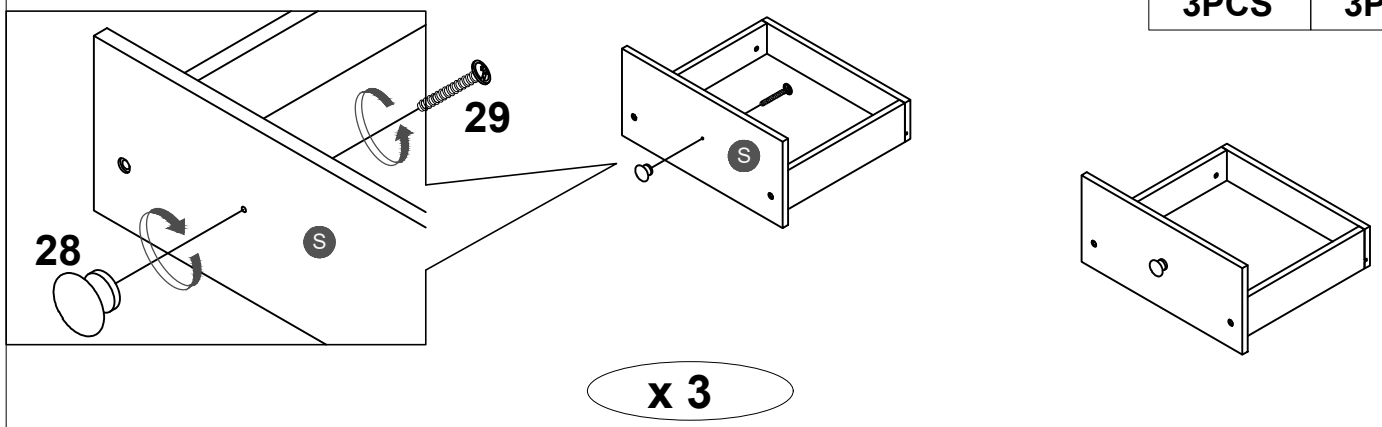
**STEP 51:**

<b>16</b>		<b>27</b>	
<b>3PCS</b>		<b>9PCS</b>	

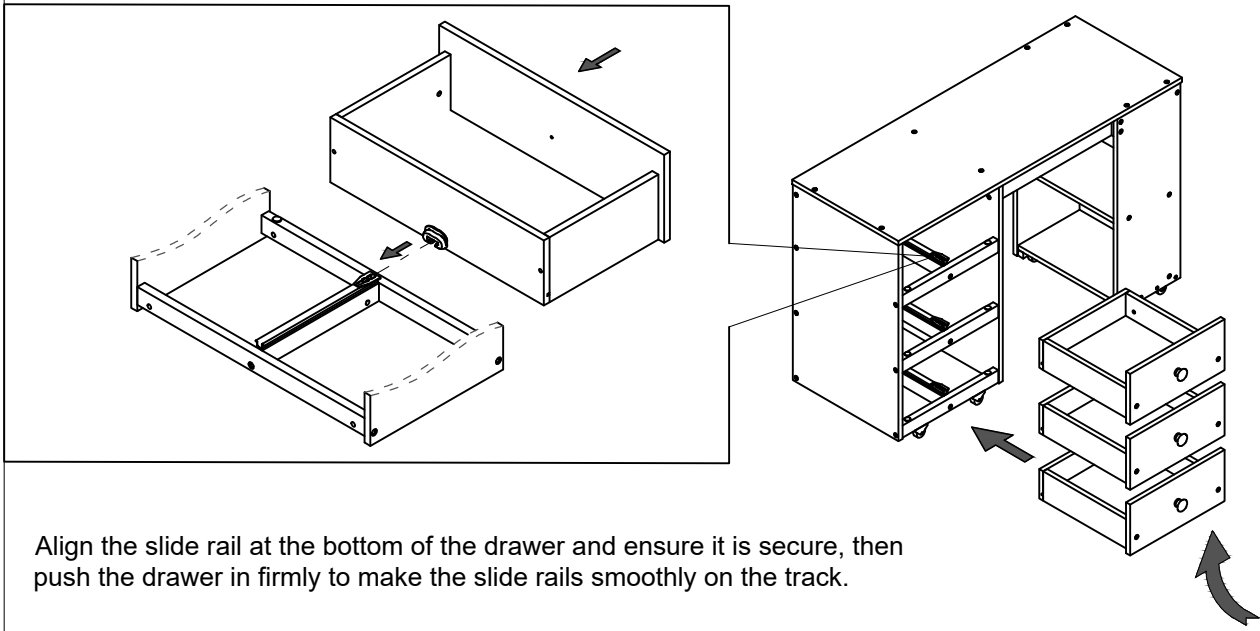


**STEP 52:**

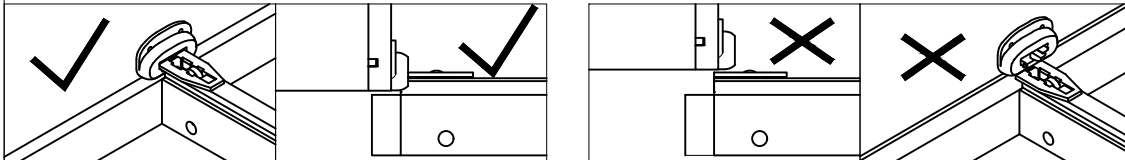
<b>28</b>		<b>29</b>	
<b>3PCS</b>		<b>3PCS</b>	



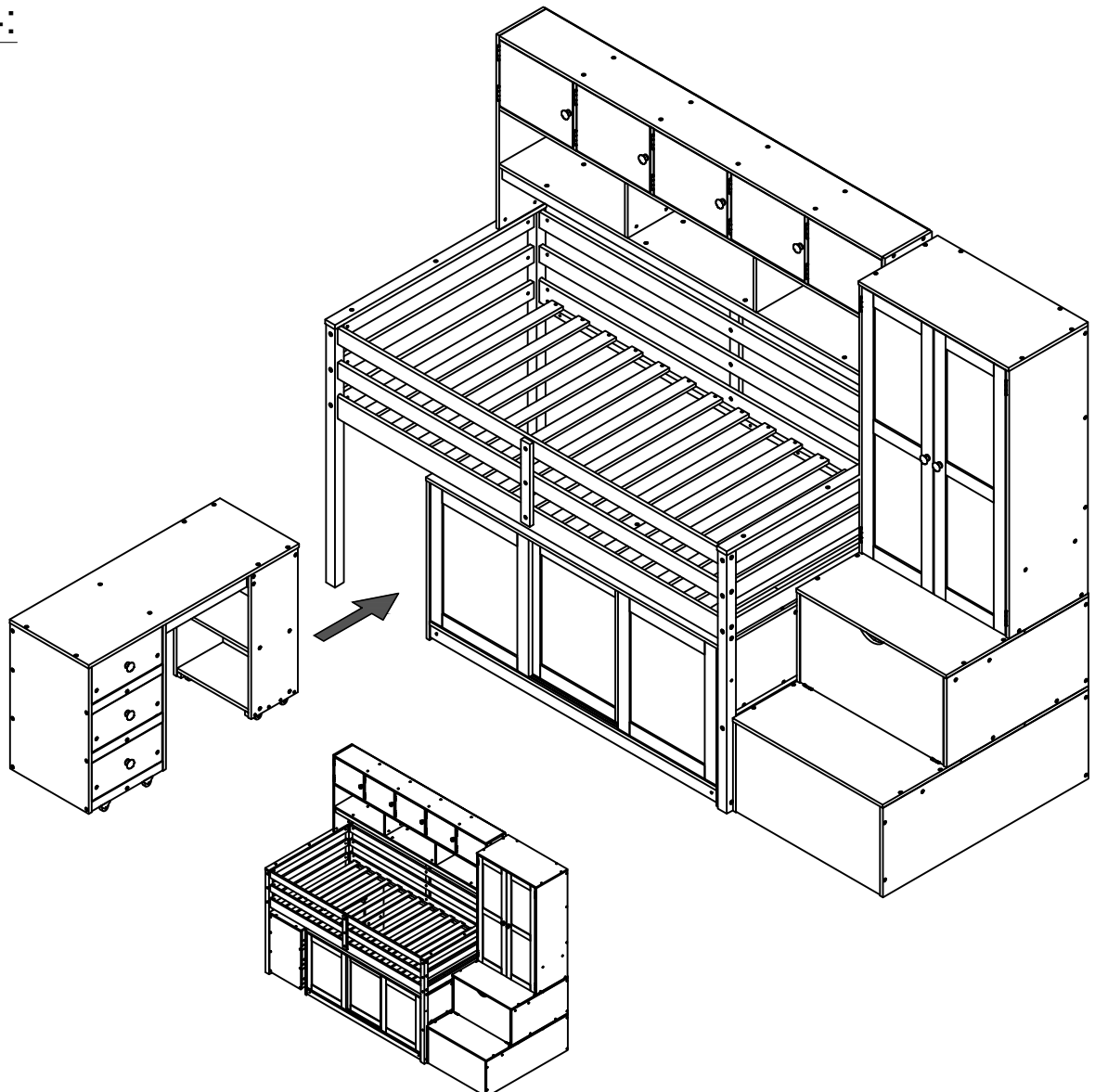
## STEP 53:



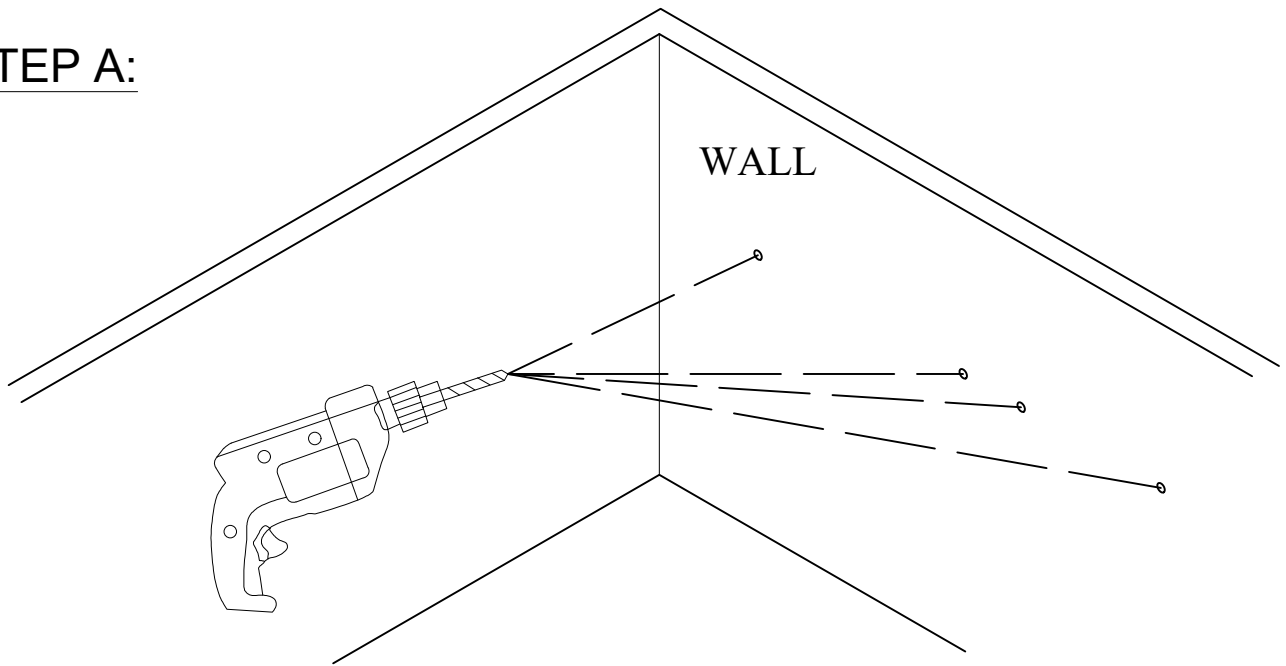
Align the slide rail at the bottom of the drawer and ensure it is secure, then push the drawer in firmly to make the slide rails smoothly on the track.



## STEP 54:

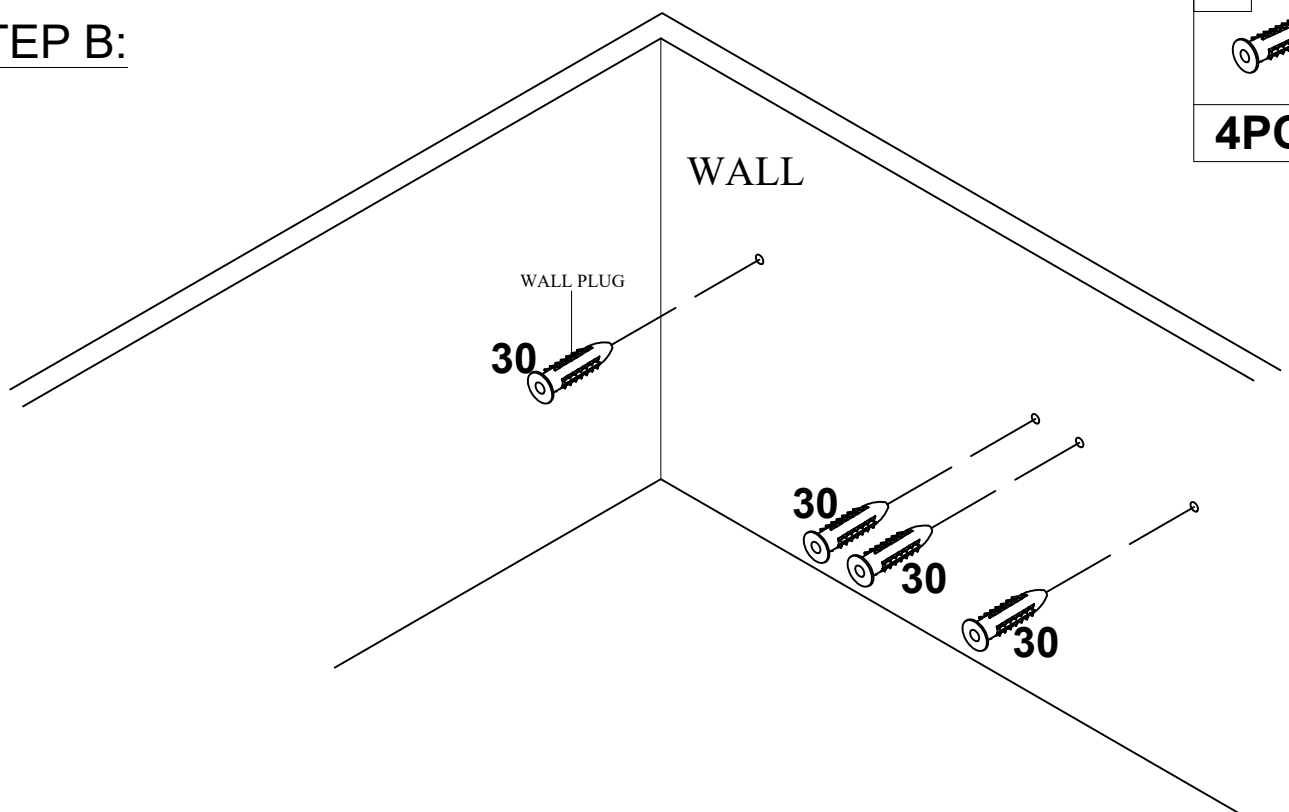


STEP A:



Drill holes in the wall.

STEP B:





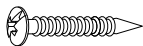
**30**

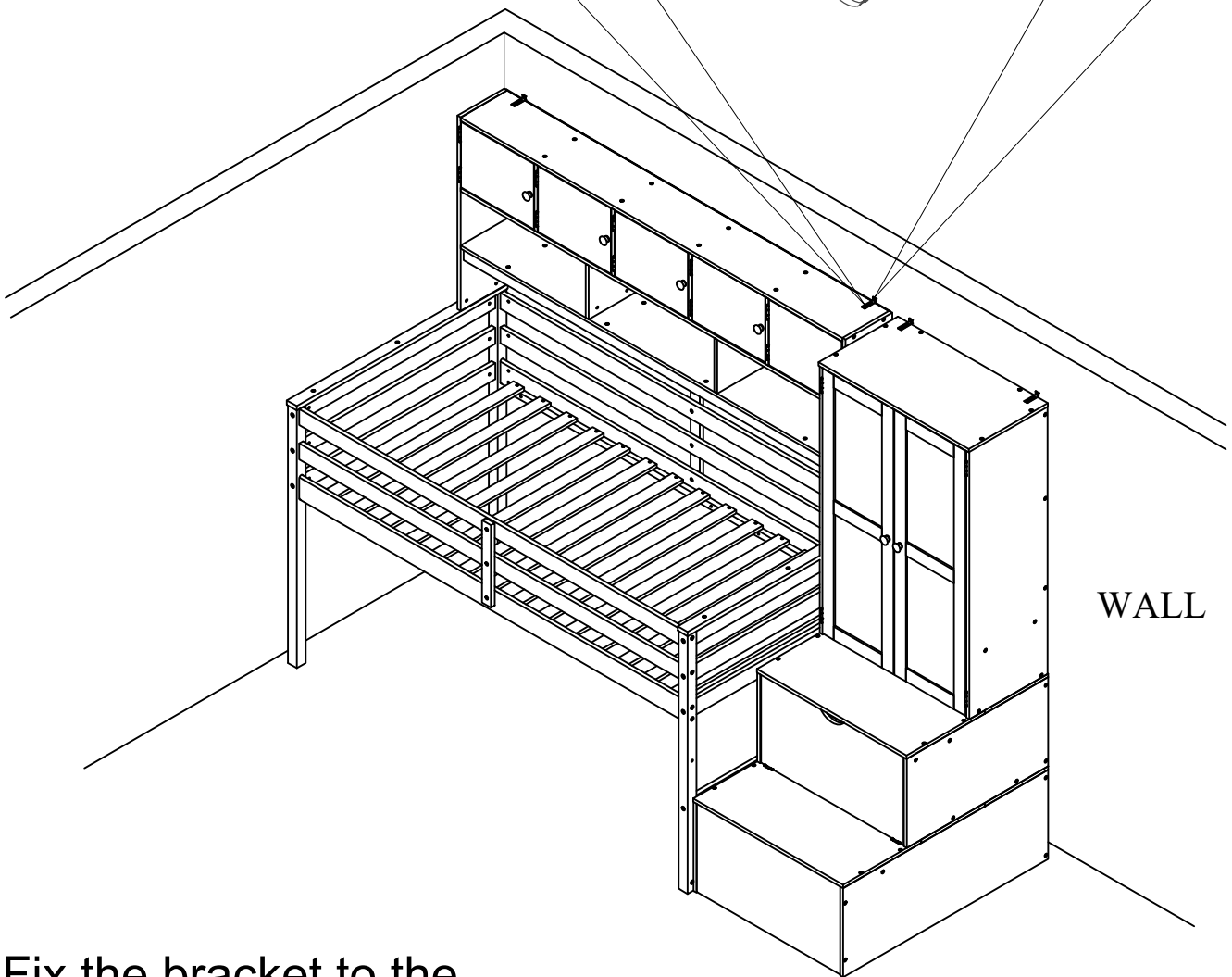
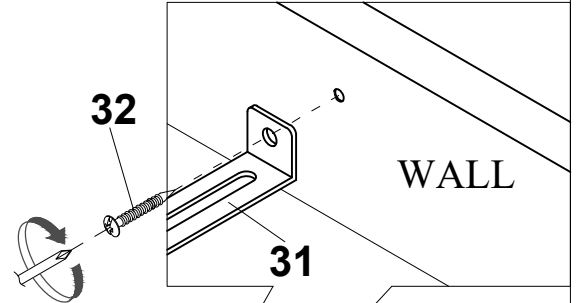
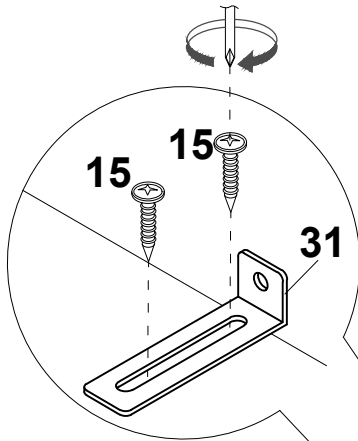


**4PCS**

To drive plastic anchor into the wall.

**STEP C:**

<b>15</b>	<b>31</b>	<b>32</b>
		
<b>8PCS</b>	<b>4PCS</b>	<b>4PCS</b>



Fix the bracket to the wall with screw.