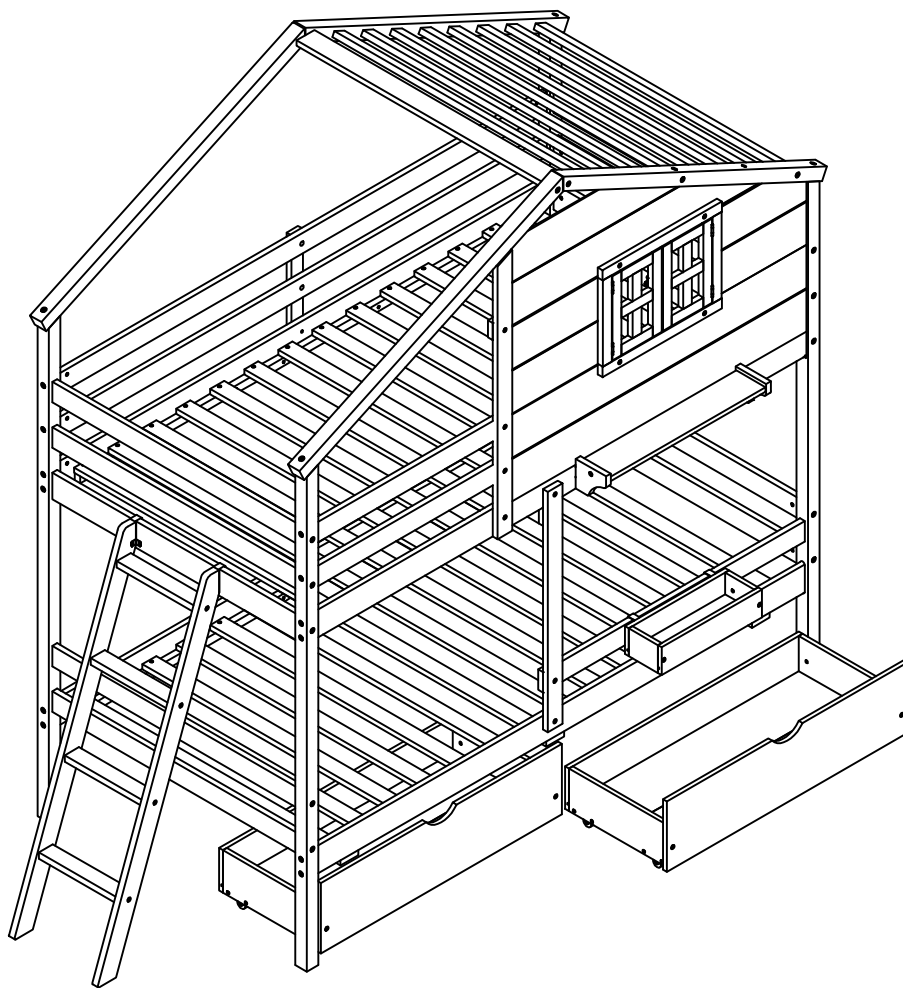


ASSEMBLY INSTRUCTIONS

TWIN HOUSE BUNK BED



WF314263/WF314264



SAFETY WARNING



1. This bed is designed for use only mattress (es) meeting the following specifications on the upper bunk, and lower bunk:

Upper bunk (Bunk bed and tribed included)

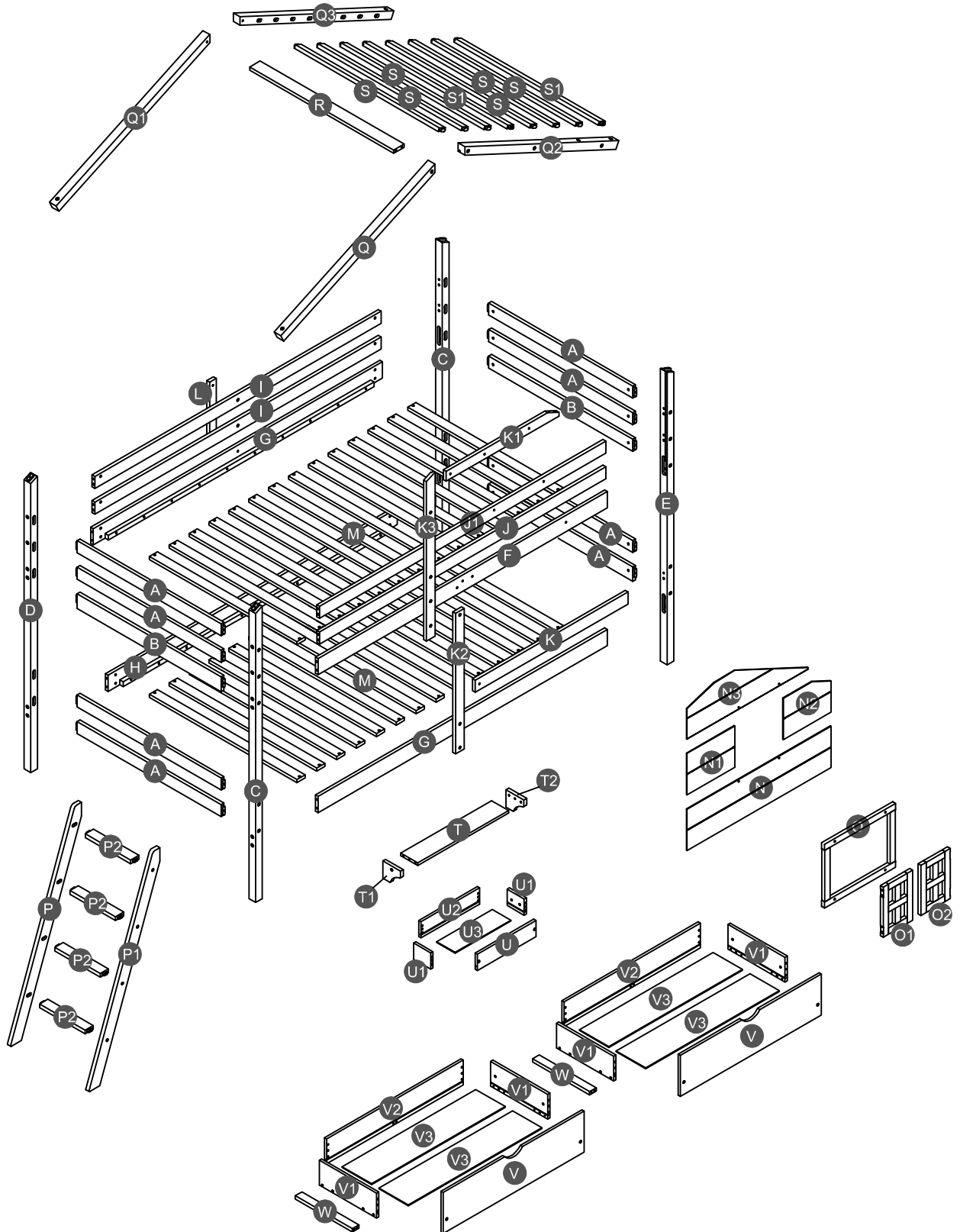
Bed type	Length	Width	Thickness
Twin Standard	74"-75"	38 1/2"	6" max

Lower bunk

Bed type	Length	Width	Thickness
Twin Standard	74"-75"	38 1/2"	8"

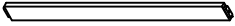

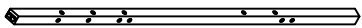
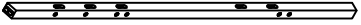
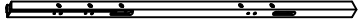



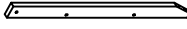
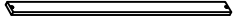
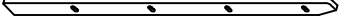
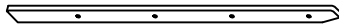
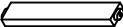
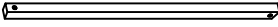
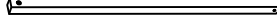


2. Replacement parts, including additional guardrails, maybe obtained from any of our (GIGACLOUD TECHNOLOGY (USA) INC . 18961 ARENTH AVENUE, CITY OF INDUSTRY , CA, 91748.) dealers
3. Follow the information on the warnings appearing on the upper bunk bed end structure and on the carton. Do not remove warning label from bed.
4. Always use the recommended size mattresses or mattress supports, or both, to help prevent the likelihood of entrapment or falls.
5. Surface of mattress must be at least 5" (127mm) below the upper edge of guardrails.
6. Do not allow children under 6 years of age to use the upper bunk.
7. Periodically check and ensure that the guardrail, ladder, and other components are in their proper position, free from damage, and that all connectors are tight.
8. Do not allow horseplay on or under the bed and prohibit jumping on the bed.
9. Always use the ladder for entering and leaving the upper bunk.
10. Do not use substitute part. Contact the manufacture or dealer for replacement part.
11. Use of a night light may provide added safety precaution for a child using the upper bunk.
12. Always use guardrails on both long sides of the upper bunk. If the bunk bed will be placed next to the wall, the guardrail that runs the full length of the bed should be placed against the wall to prevent entrapment between the bed and wall.
13. The use of water or sleep flotation mattresses is prohibited.
14. STRANGULATION HAZARD - Never attach or hang items to any part of the bunk bed that are not designed for use with the bed; for example, but not limited to, hook, belts and jump ropes.
15. Keep these instruction for future reference.
16. Prohibit more than one person on upper bunk
17. We recommend assembling your bunk bed on the shipping carton to protect your floor or carpet.
18. Be certain all staples are out of the box before beginning assembly on the shipping carton.

Detail View





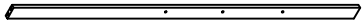
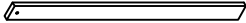
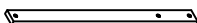
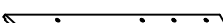


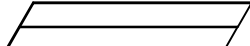
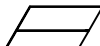
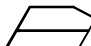
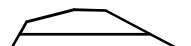
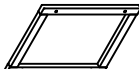


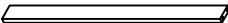
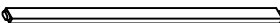
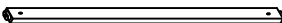
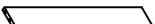


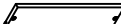

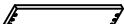
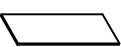

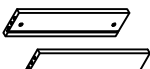

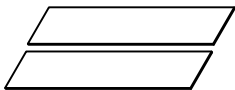

Part List

WF314263 + Hardware inside

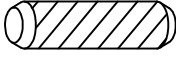

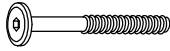
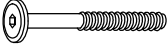




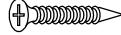


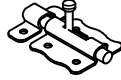

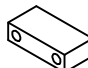



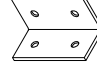

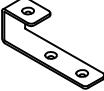

A  Horizontal bar - 8pcs	B  Horizontal bar - 2pcs	C  Leg (Left Front/Right Back) - 2pcs
D  Leg (Left Back) - 1pc	E  Leg (Right Front) - 1pc	F  Upper side rail (front) - 1pc
G  Upper side rail (Back) Lower side rail (Front) - 2pcs	H  Lower side rail (Back) - 1pc	K1  Upper crossbar (Front) - 1pc
M  Slat - 14pcs	P  Left side ladder -1pc	P1  Right side ladder -1pc
P2  Step ladder - 4pcs	Q  Upper (Left Front) - 1pc	Q1  Upper (Left Back) - 1pc
Q2  Upper (Right Front) - 1pc	Q3  Upper (Right Back) - 1pc	

Part List

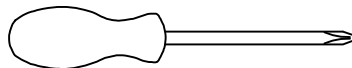
WF314264

I  Long guard rail (Back) - 2pcs	J  Long guard rail (Front) - 1pc	J1  Upper long guard rail (Front) - 1pc
K  Lower short guard rail (Front) - 1pc	K2  Vertical guard rail (Front) - 1pc	K3  Vertical guard rail (Front) - 1pc
L  Vertical guard rail (Back) - 1pc	M  Slat - 14pcs	N  Front panel - 1pc
N1  Front panel - 2pcs	N2  Front panel - 1pc	N3  Front panel - 1pc
O  Window frame - 1pc	O1  Window (Left) - 1pc	O2  Window (Right) - 1pc
R  Upper support - 1pc	S  Upper crossbar - 6pcs	S1  Upper crossbar - 2pcs
T  Shelf - 1pc	T1  Shelf support (Left) - 1pc	T2  Shelf support (Right) - 1pc
U  Front panel - 1pc	U1  Left / right panel - 2pcs	U2  Back panel - 1pc
U3  Bottom panel - 1pc	V  Front drawer panel - 2pcs	V1  Left / right drawer panel - 4pcs
V2  Back drawer panel - 2pcs	V3  Drawer bottom - 4pcs	W  Support drawer - 2pcs

Hardware List WF314263



1	 Ø10*40mm Wood dowel (10pcs)	2	 (Ø15)1/4"*100mm Hex-Head bolts (27pcs)	3	 (Ø15)1/4"*80mm Hex-Head bolts (28pcs)
4	 (Ø12)1/4"*60mm Hex-Head bolts (22pcs)	5	 (Ø12)1/4"*40mm Hex-Head bolts (4pcs)	6	 (Ø12)1/4"*30mm Hex-Head bolts (10pcs)
7	 38*20*1.2mm Hinges (4pcs)	8	 1/4"*15 (9.5mm) Horizontal-Hole bolts(75pcs)	9	 Ø4*30mm Wood screws (78pcs)
10	 100*54*20 mm Wheels (8pcs)	11	 (1/4")4.5*58mm Allen key (1pc)	12	 60*40*10mm Lock (1pc)
13	 Ø10*20mm Wood dowel (8pcs)	14	 70*35*19 mm Drawer stopper (3pcs)	15	 (Ø12)1/4"*65mm Hex-Head bolts (5pcs)
16	 Ø8*30mm Wood dowel (36pcs)	17	 Ø3.5*15mm Wood screws (28pcs)	18	 50*24*24*2mm Metal bracket (1pc)
19	 Ø4*19mm Wood screws (14pcs)	20	 81*26*21*(2.5mm) Hooks (4pcs)	21	 21*21*17*1.7mm Metal bracket (2pcs)

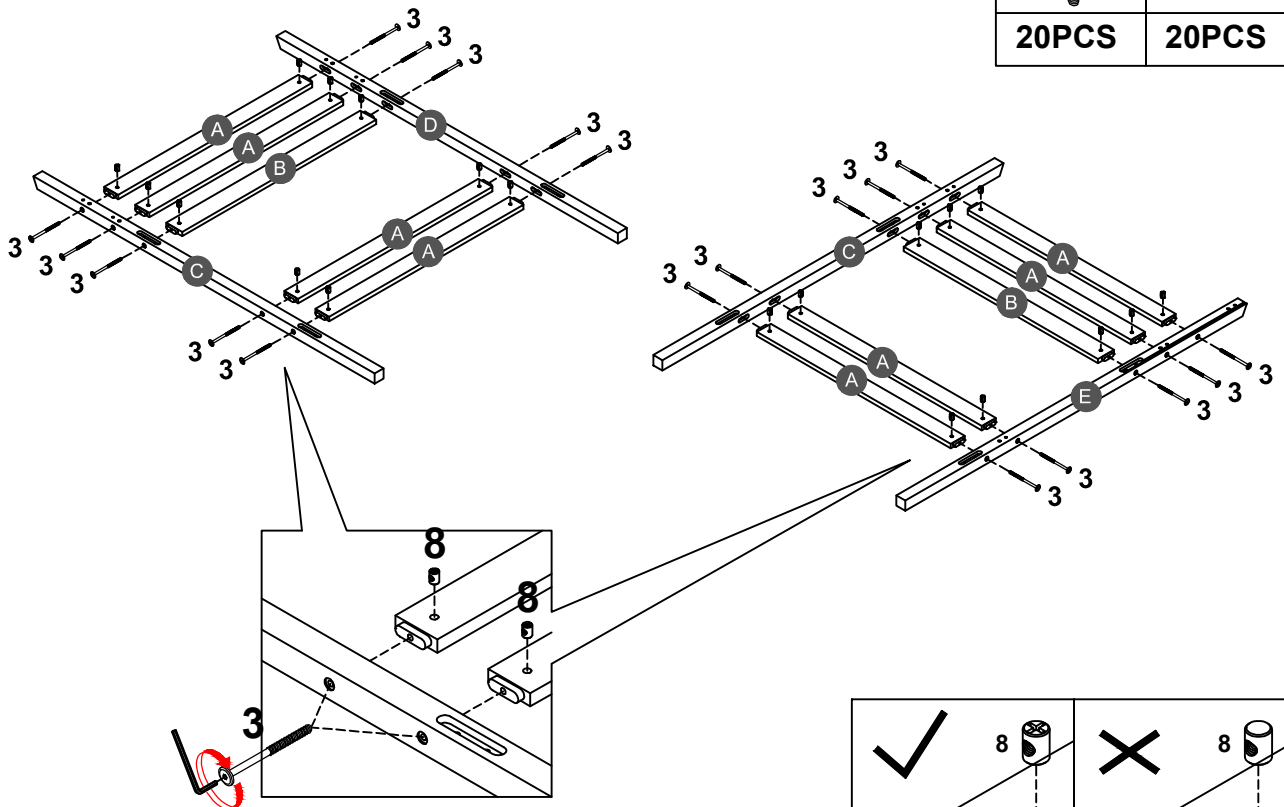
ASSEMBLY TOOLS REQUIRED (NOT INCLUDED)



PLEASE BE CAREFUL DO NOT DAMAGE THE HOLE POSITION WHEN YOU USE POWER TOOLS !


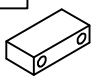
STEP 1:

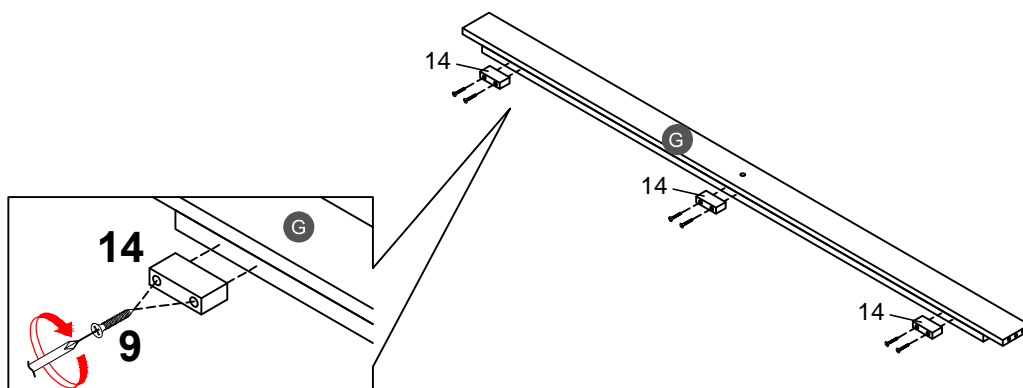
3		8	
20PCS		20PCS	



Note: Part 8 will face up with the "x" mark on it, otherwise it cannot be tightened




STEP 2:

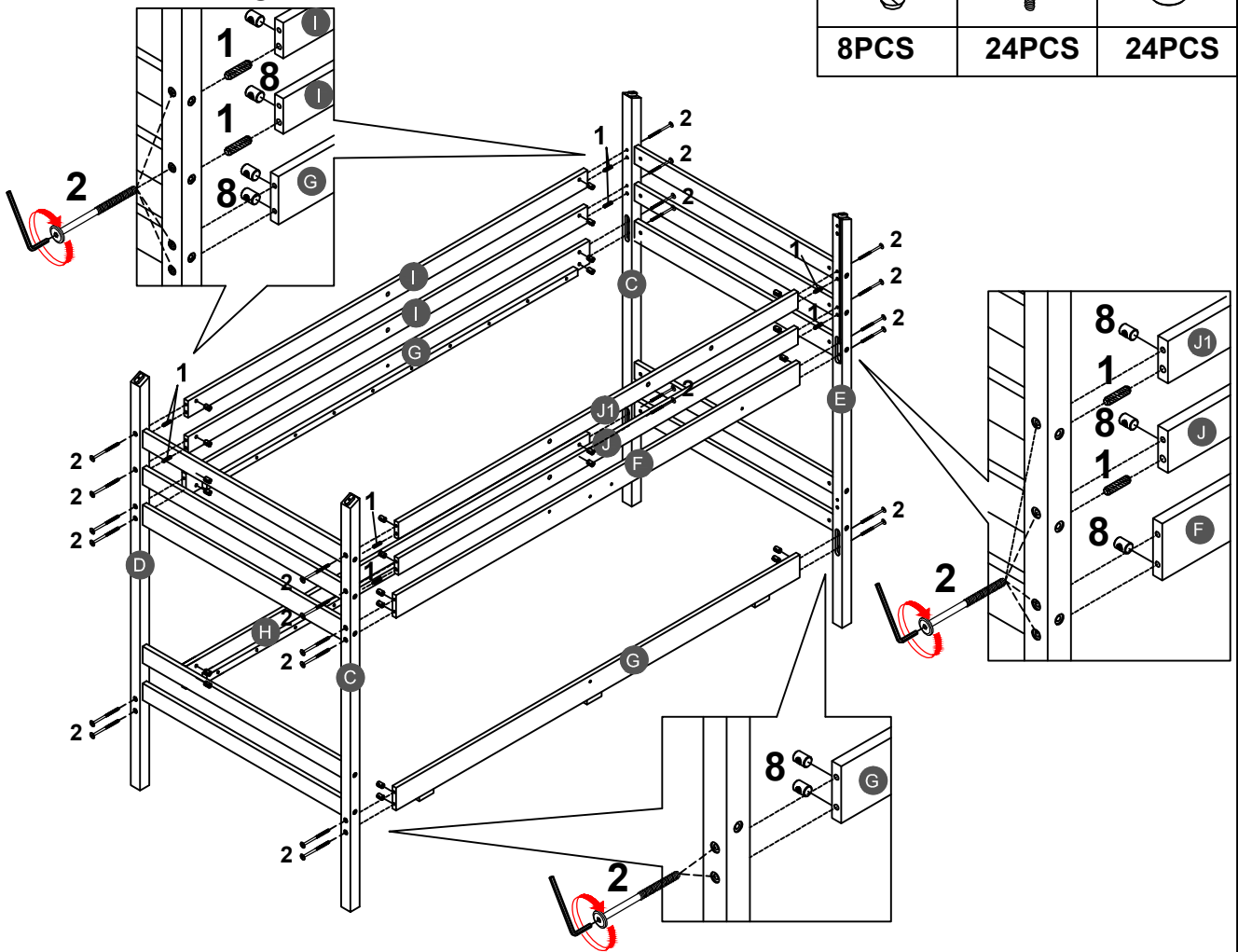
9		14	
6PCS		3PCS	




Drawer stopper (14) with lower side rail front (G) by using screw (9).

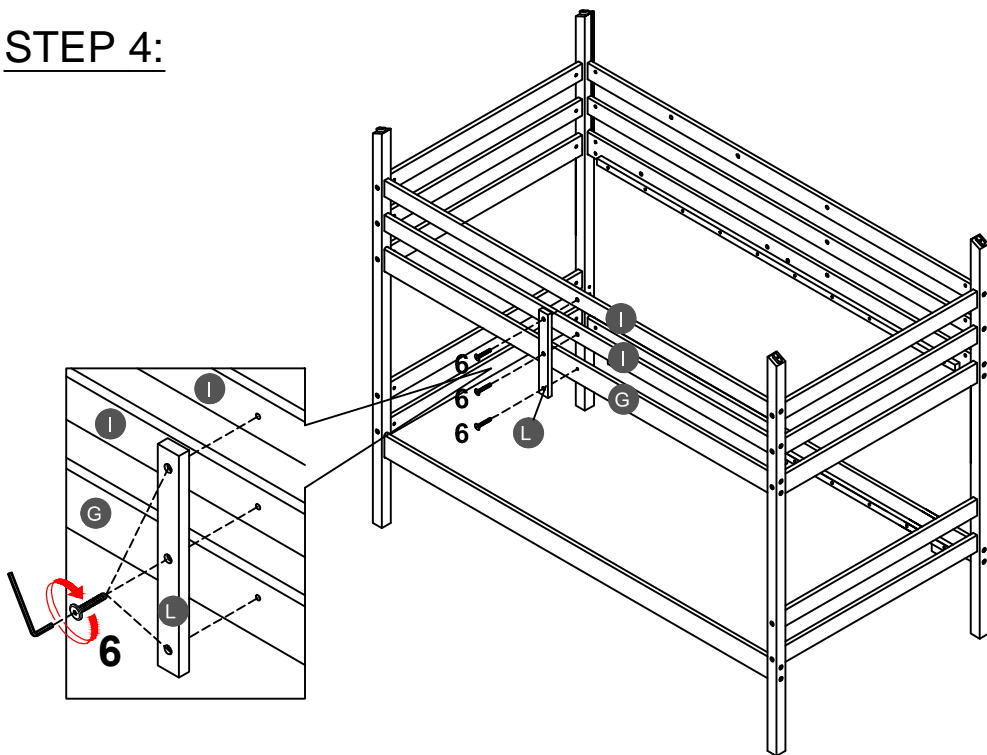
STEP 3:

1		2		8	
8PCS		24PCS		24PCS	

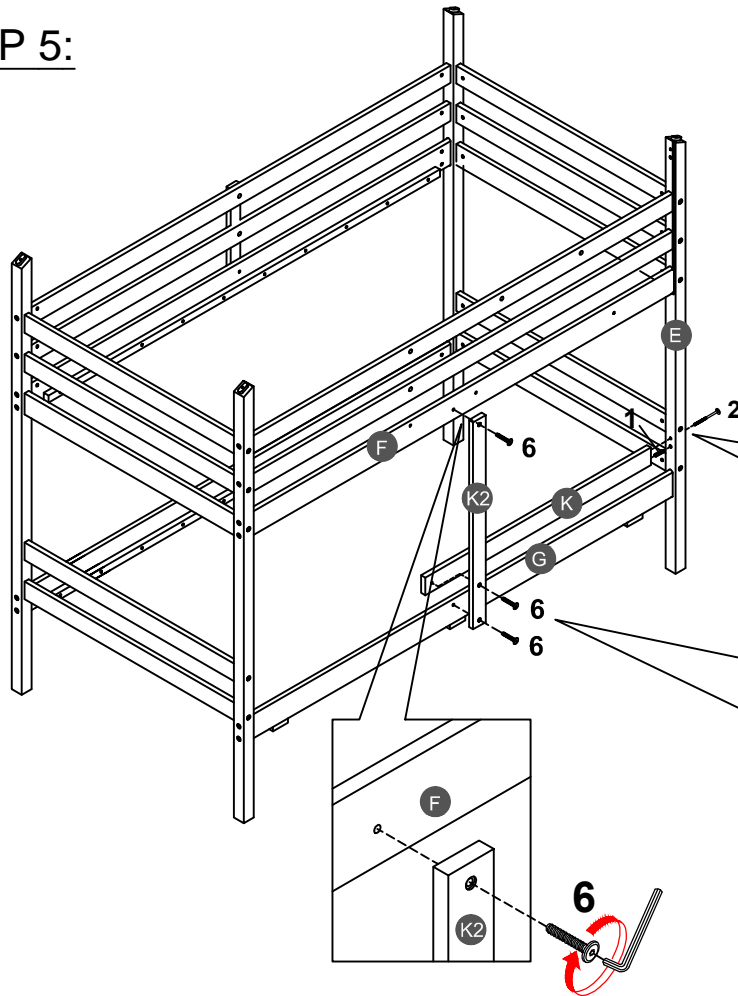






STEP 4:

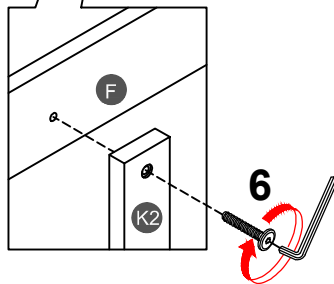
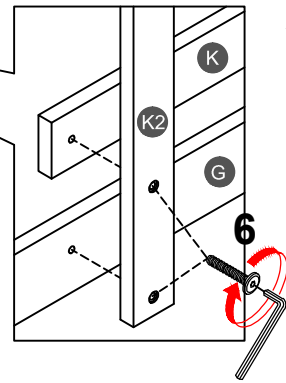
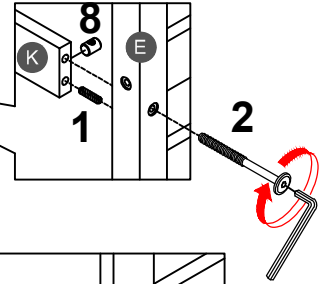
6	
3PCS	



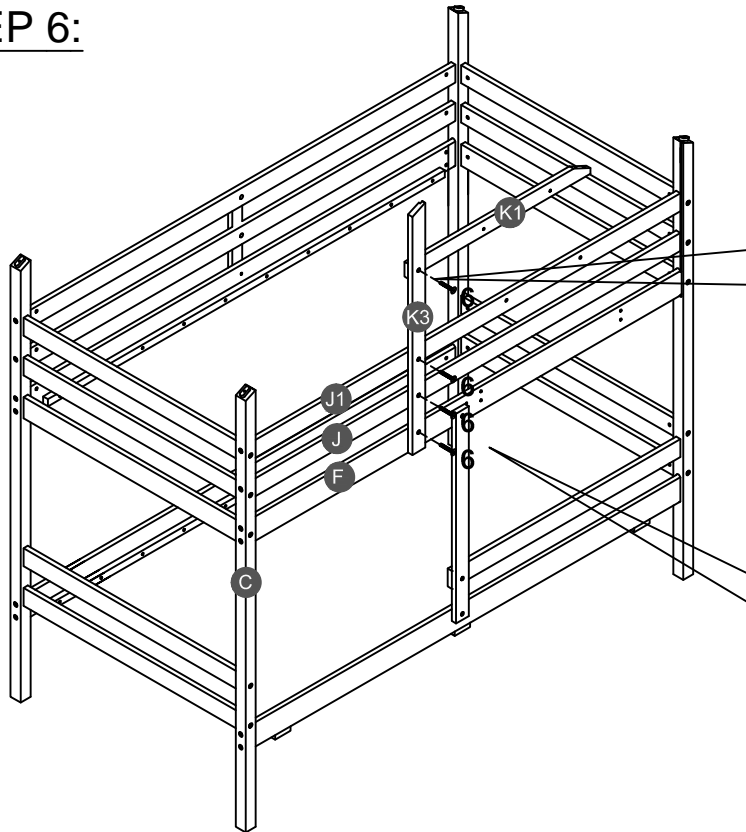
STEP 5:




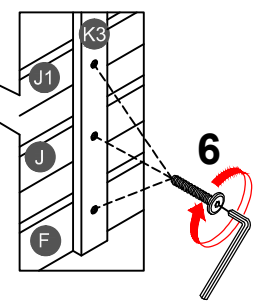
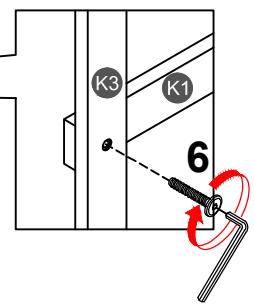
1 	2 	8 
1PC	1PC	1PC
		6 
		3PCS



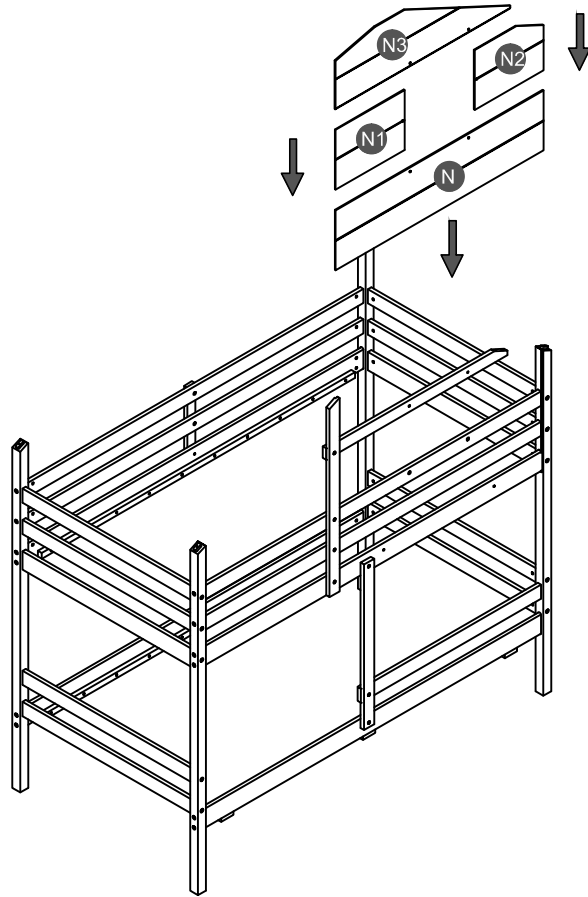
STEP 6:



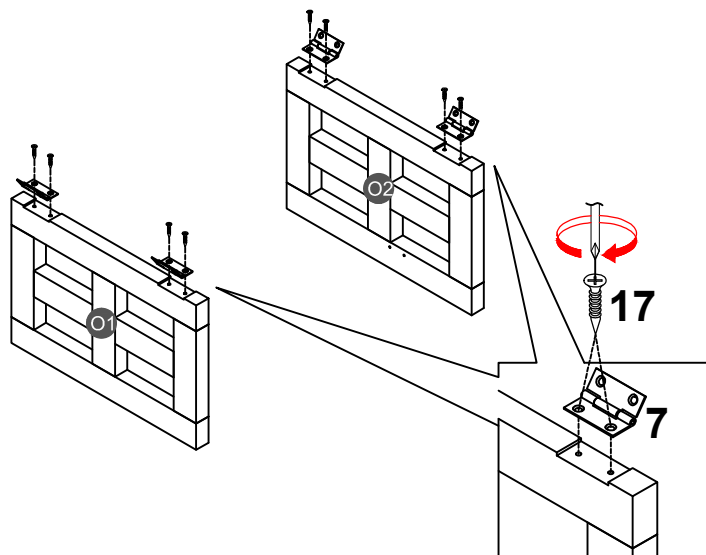
6 
4PCS





STEP 7:




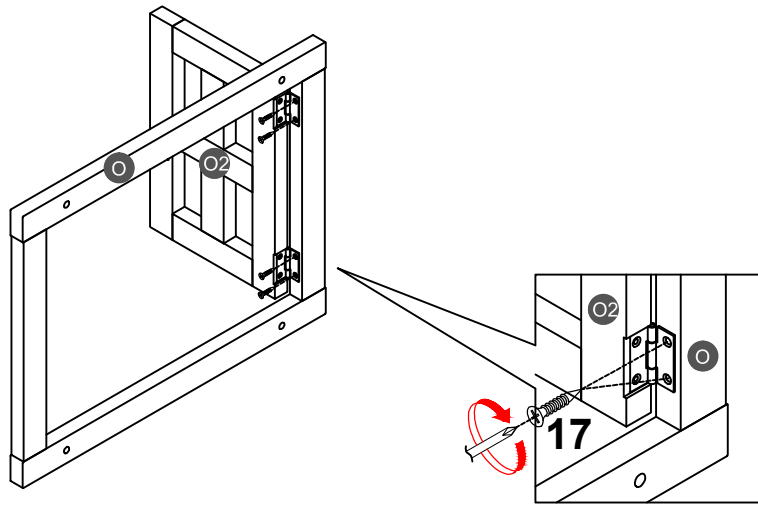
STEP 8:




7 	17 
4PCS	8PCS

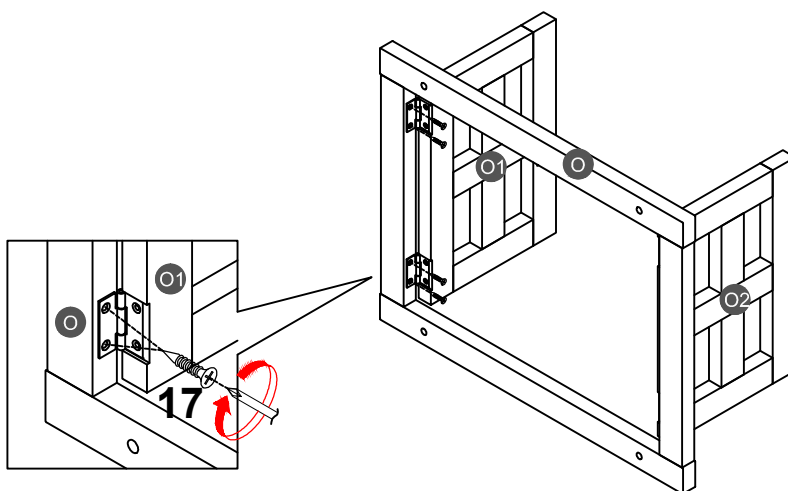
STEP 9:

17

4PCS

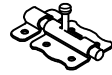



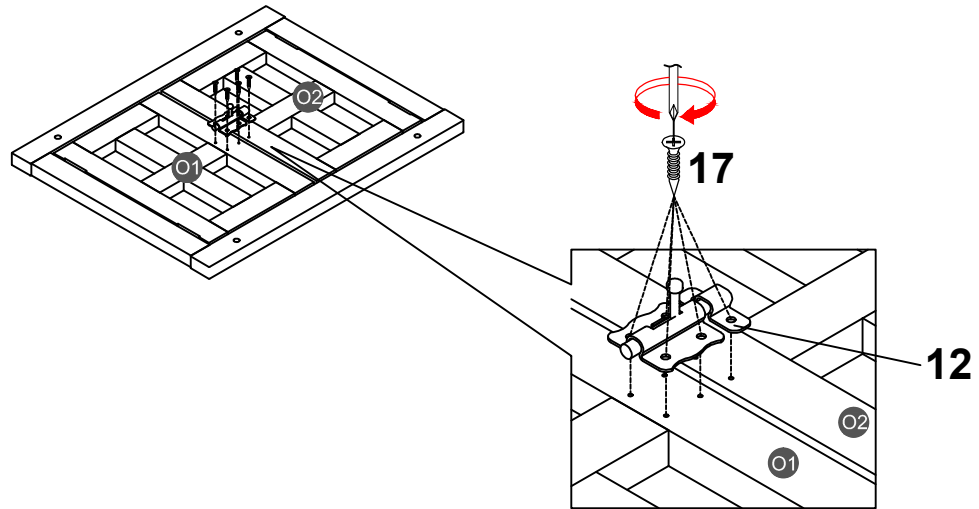
STEP 10:

17

4PCS




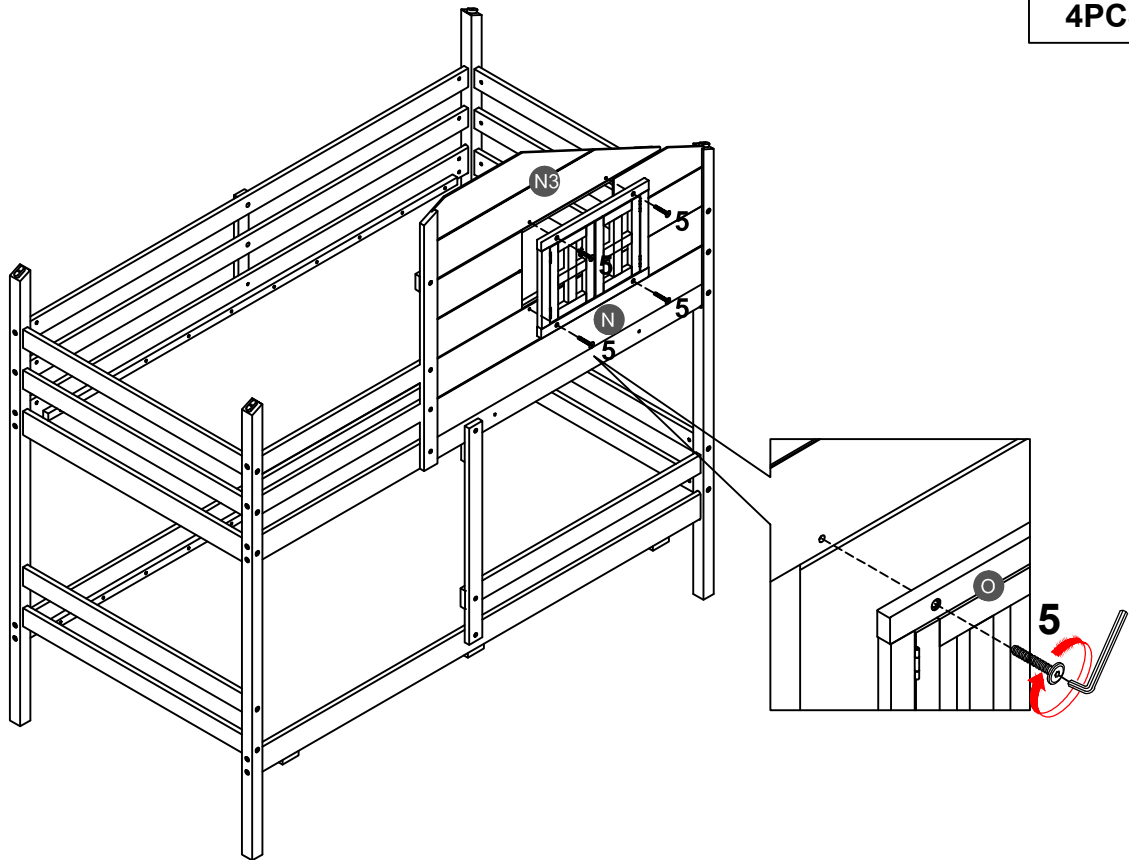
STEP 11:

12 	17 
1PC	6PCS

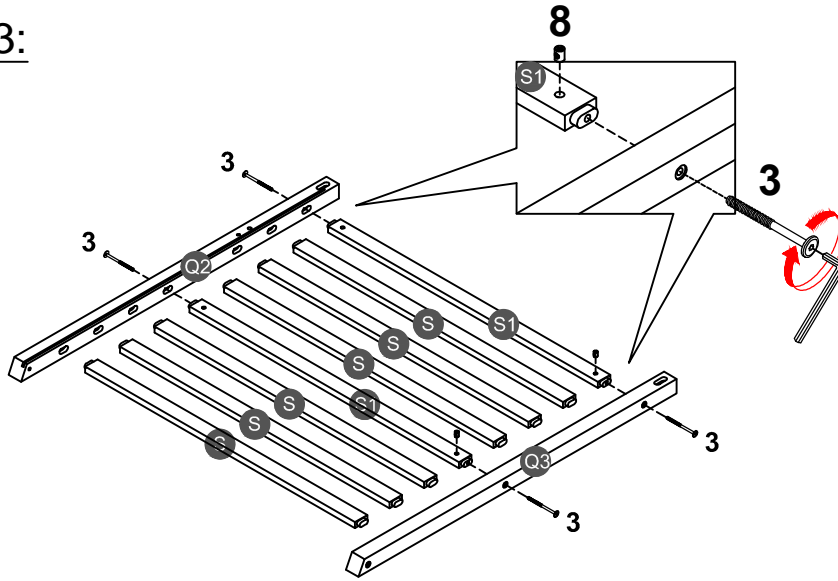




STEP 12:

5 
4PCS

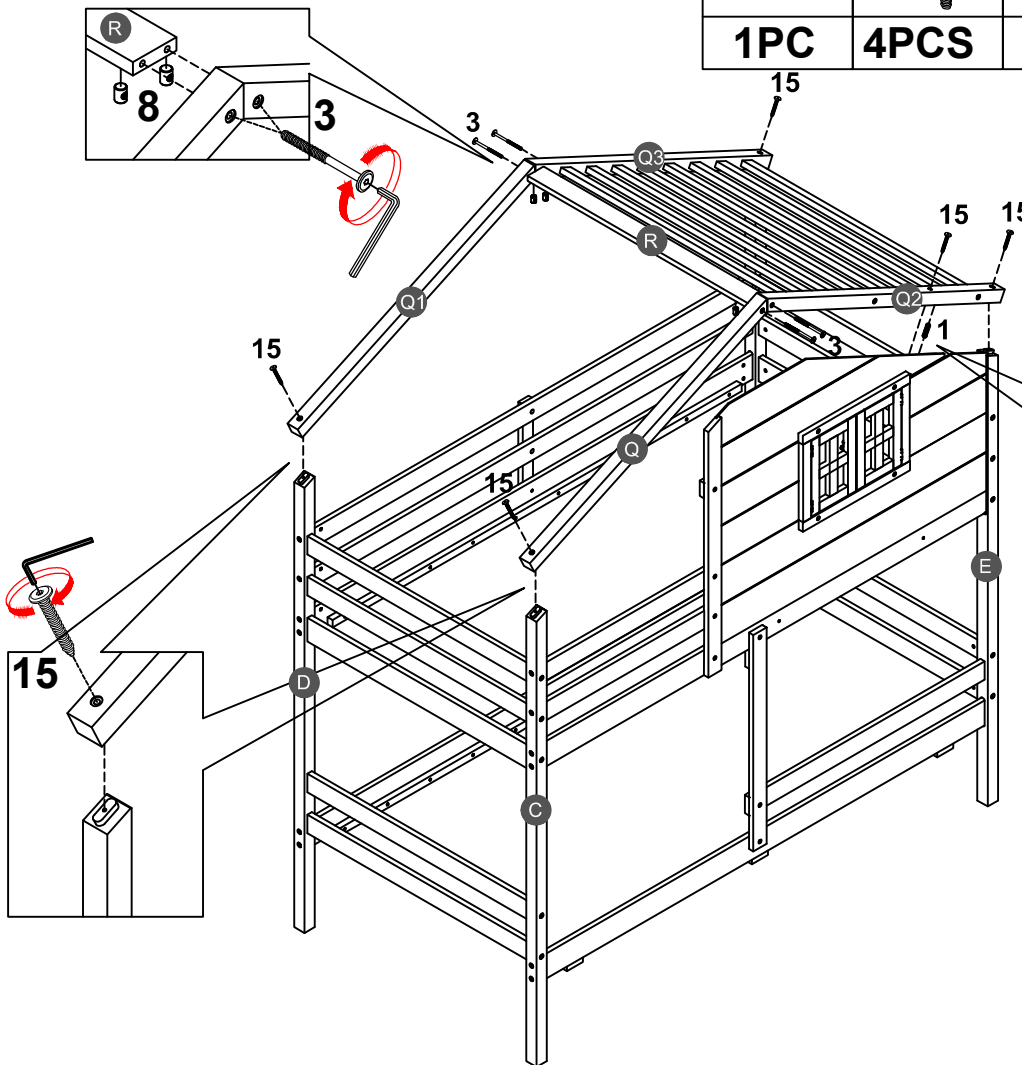






STEP 13:

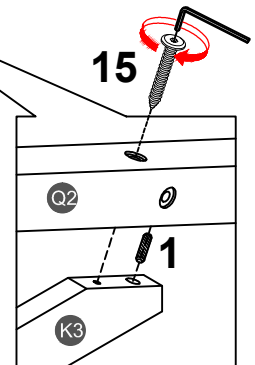


3		8	
	4PCS		4PCS



STEP 14:

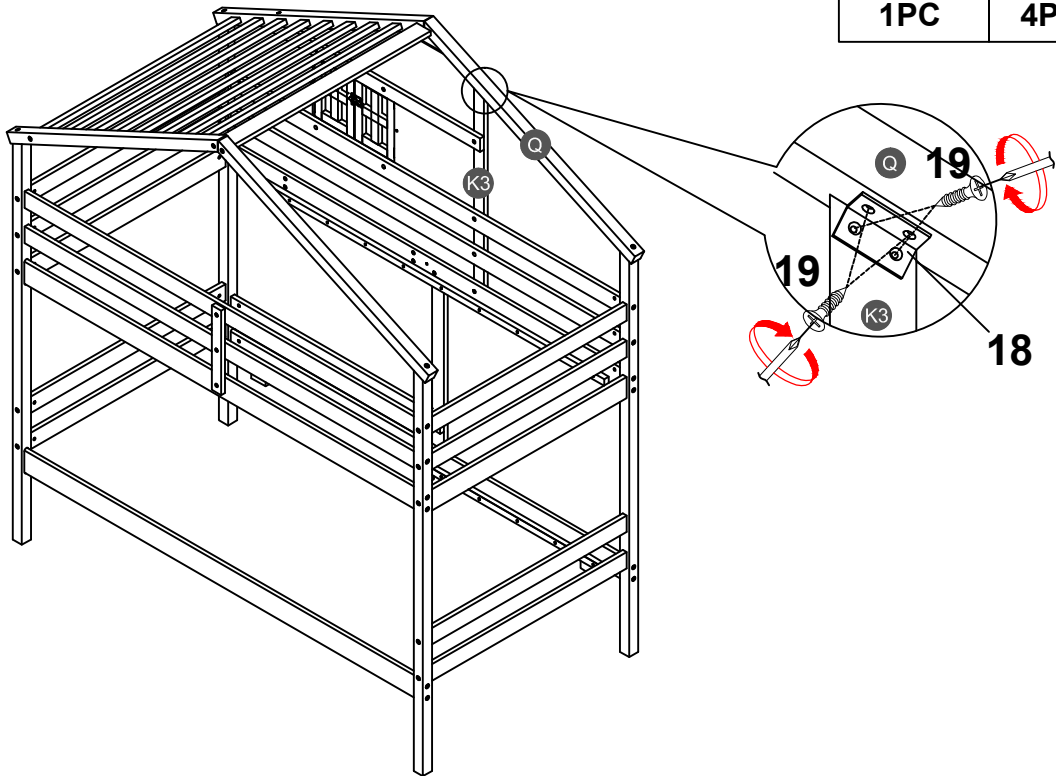


1		3		8		15	
	1PC		4PCS		4PCS		5PCS




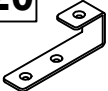


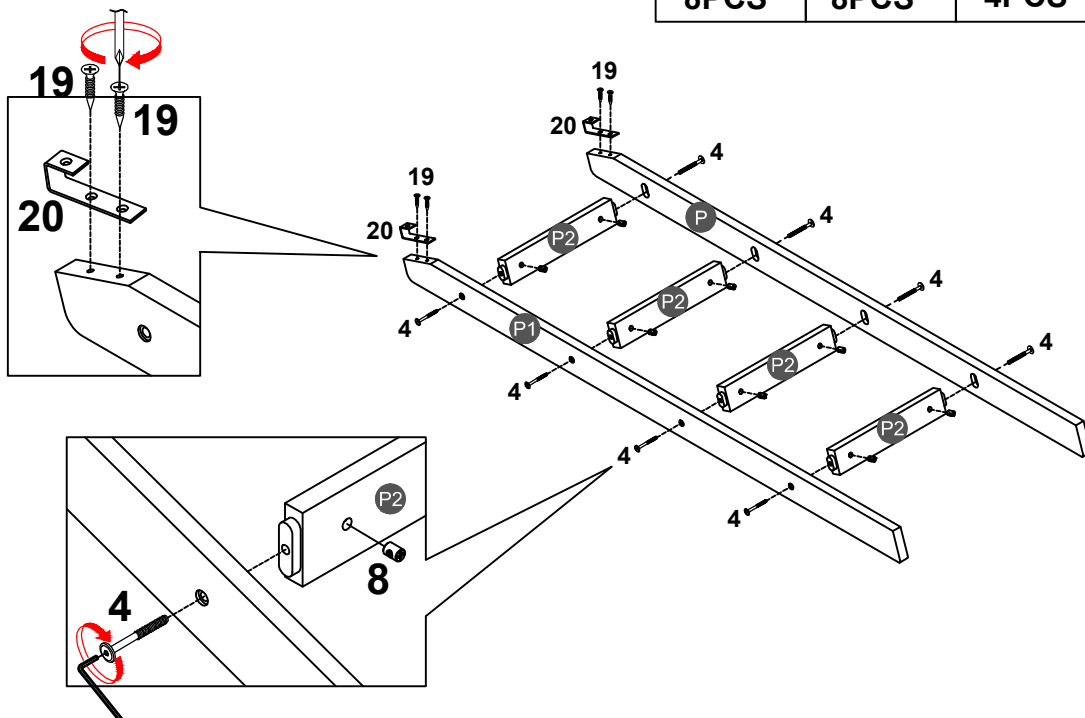
STEP 15:

18		19	
1PC		4PCS	

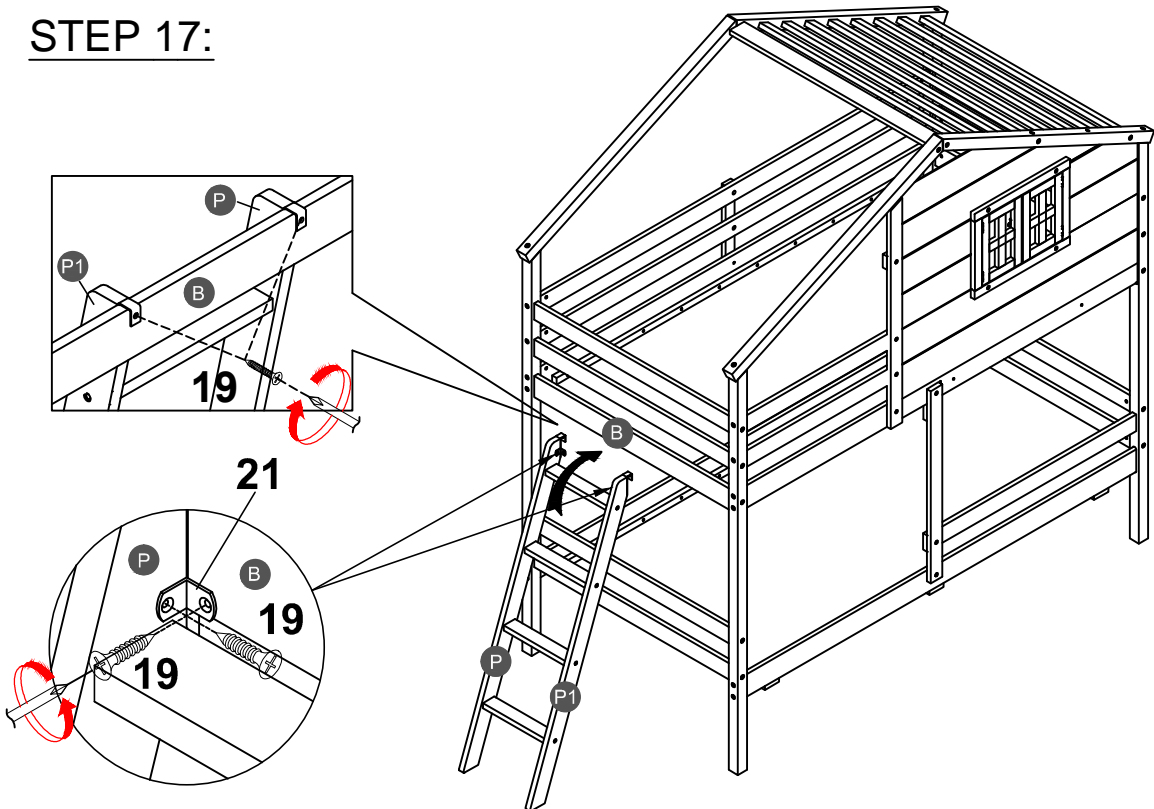


STEP 16:

4		8		19		20	
8PCS		8PCS		4PCS		2PCS	

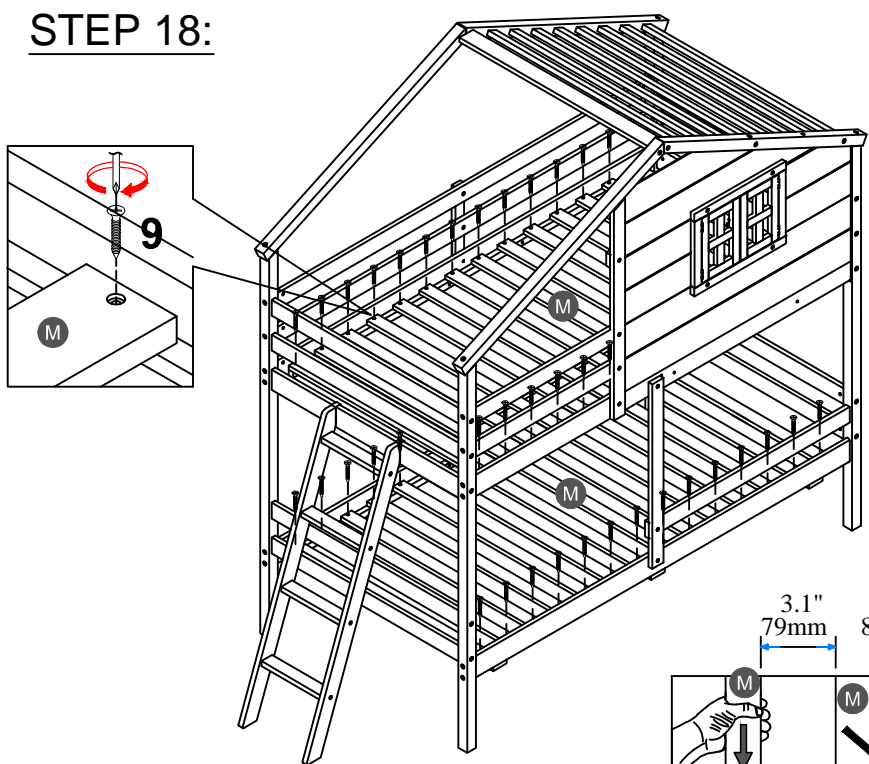


STEP 17:

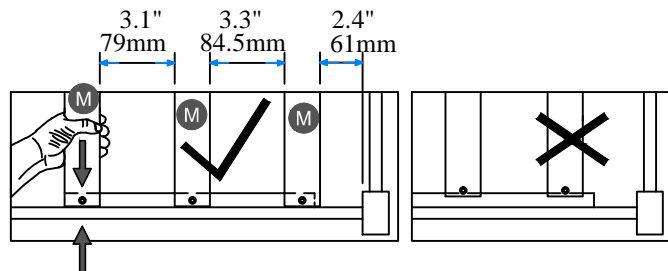


19	
6PCS	
21	
2PCS	

STEP 18:






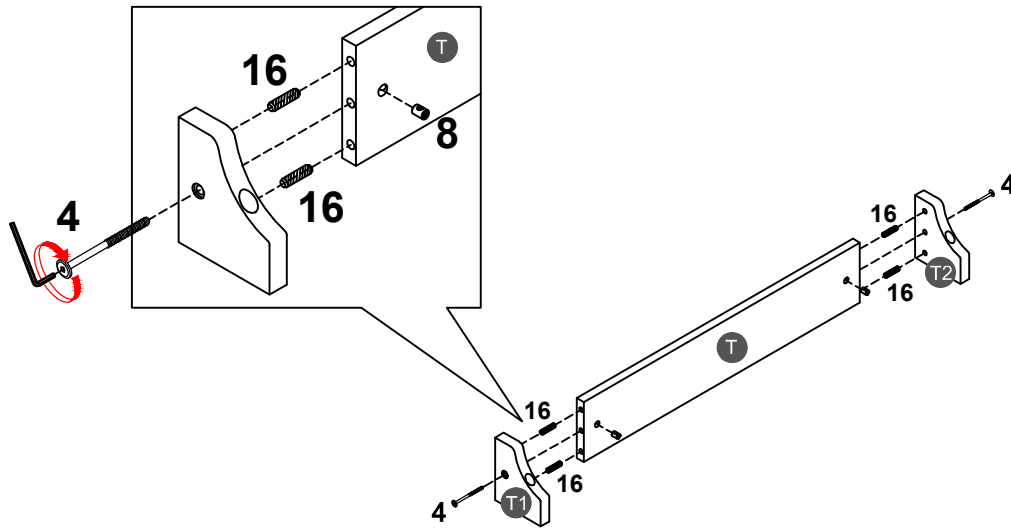
9	
56PCS	




NOTE: Please make sure the bed slats close to the side rail before locking the screws to avoid breakage. This step is required for both the left and right sides. Moreover, please do not lock the screws of the bed slats at the outermost edge to avoid damaging.

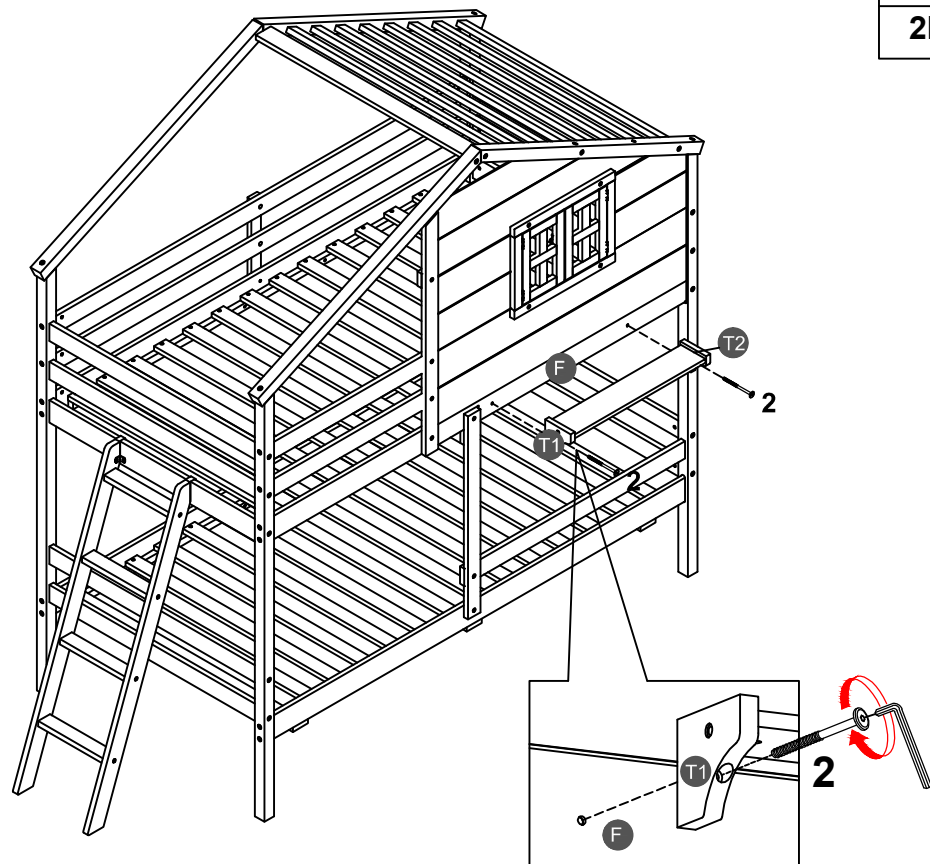
STEP 19:

16 	4 	8 
4PCS	2PCS	2PCS






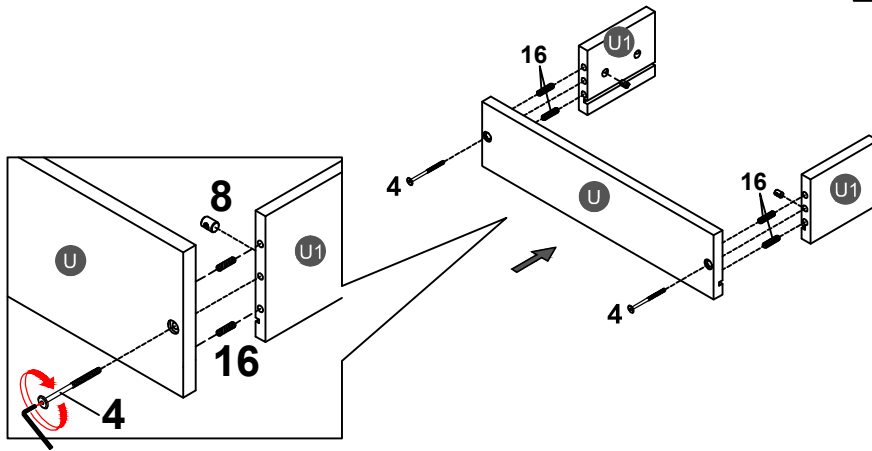
STEP 20:

2 
2PCS






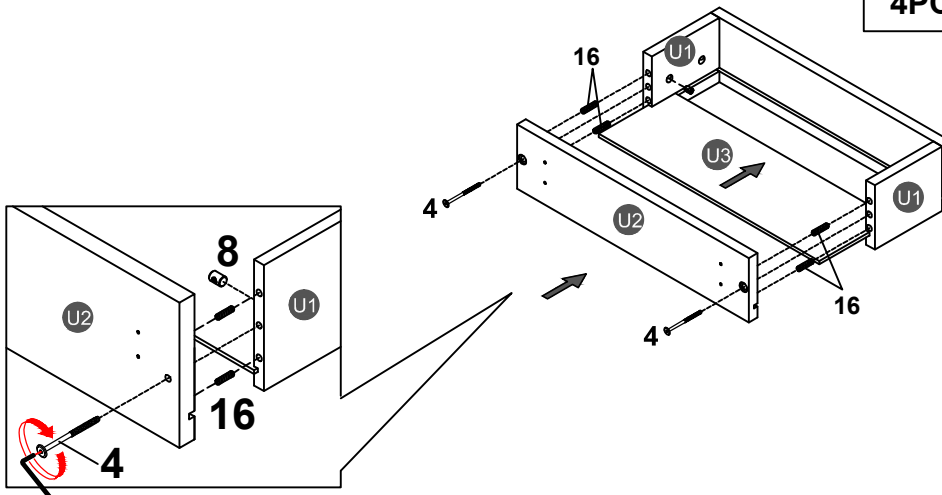
STEP 21:

16 	4 	8 
4PCS	2PCS	2PCS


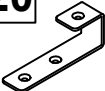


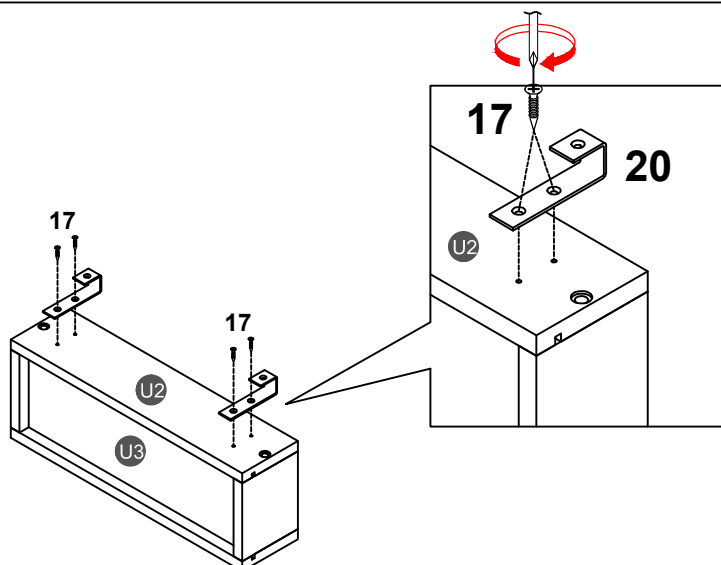
STEP 22:

16 	4 	8 
4PCS	2PCS	2PCS




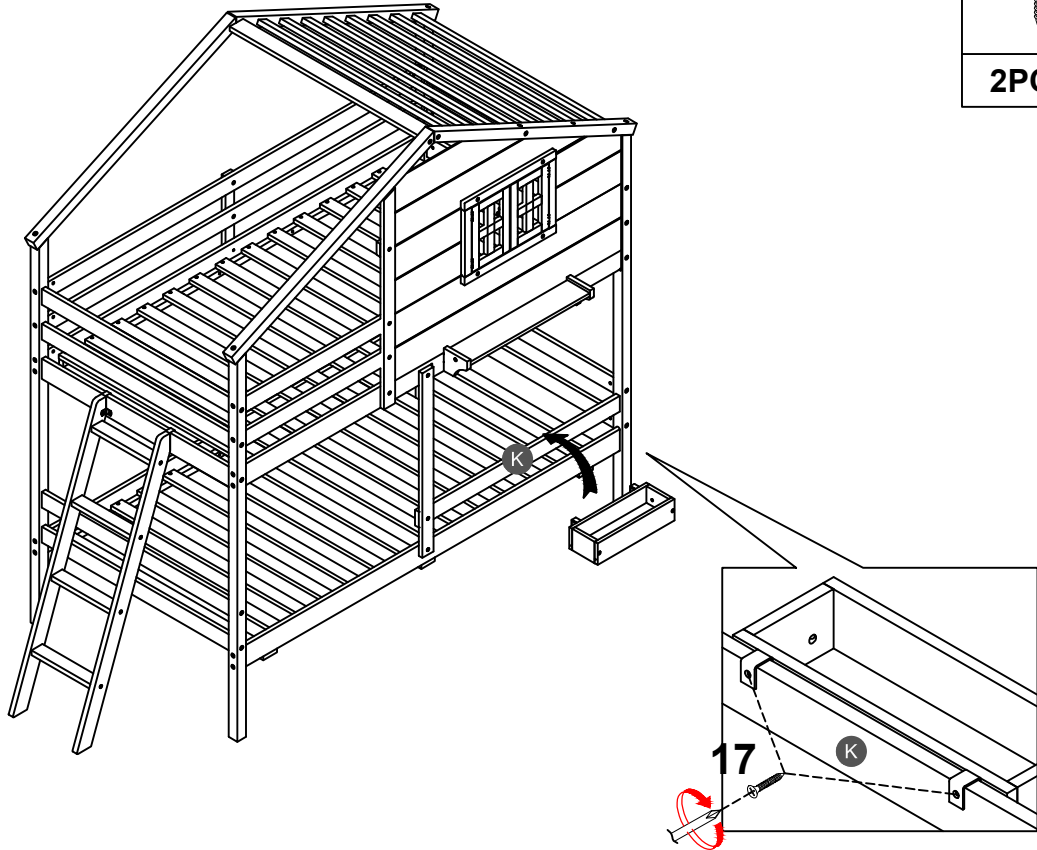
STEP 23:

17 	20 
4PCS	2PCS






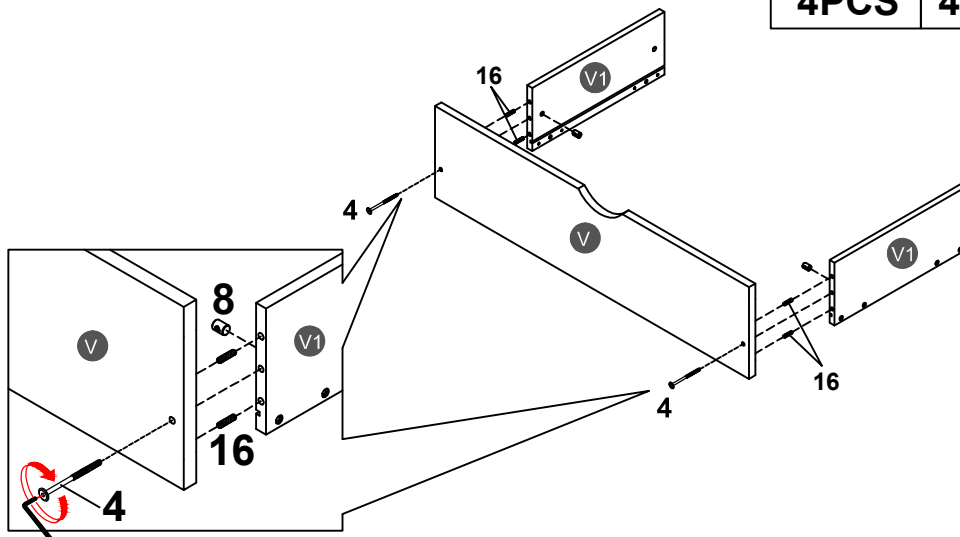
STEP 24:

17	
2PCS	






STEP 25:

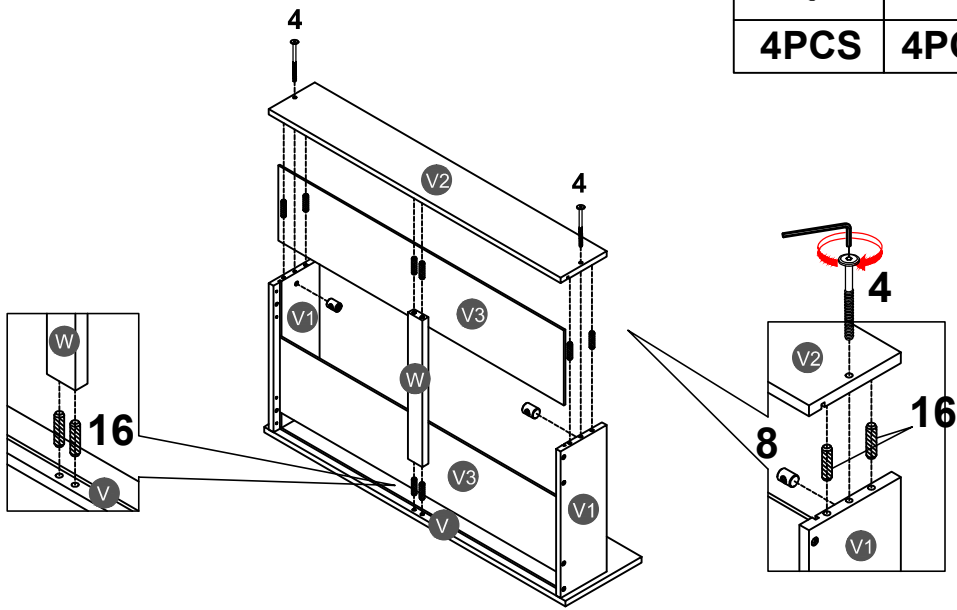
4		8		16	
4PCS		4PCS		8PCS	



2pcs


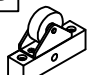

STEP 26:

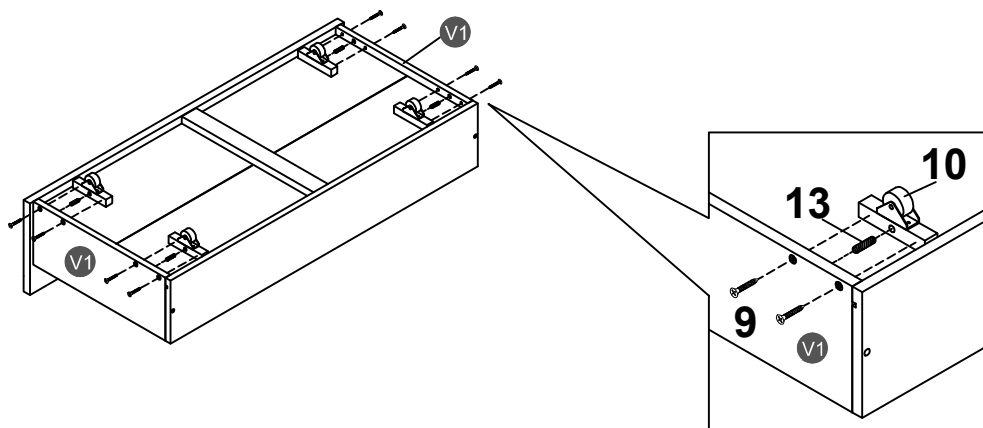
4		8		16	
4PCS		4PCS		16PCS	



2pcs

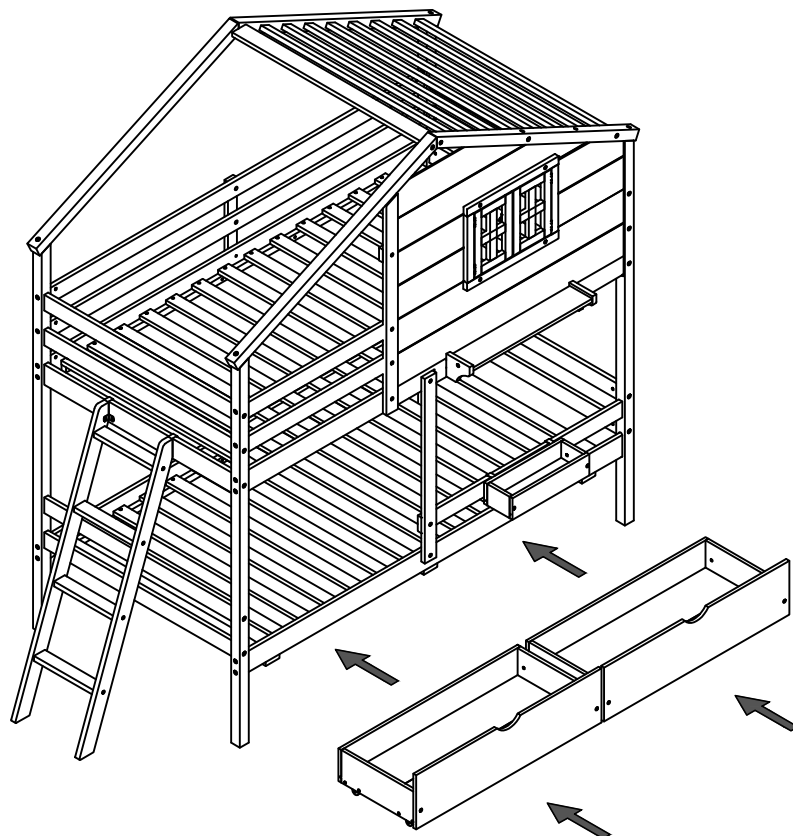
STEP 27:

9		10		13	
16PCS		8PCS		8PCS	

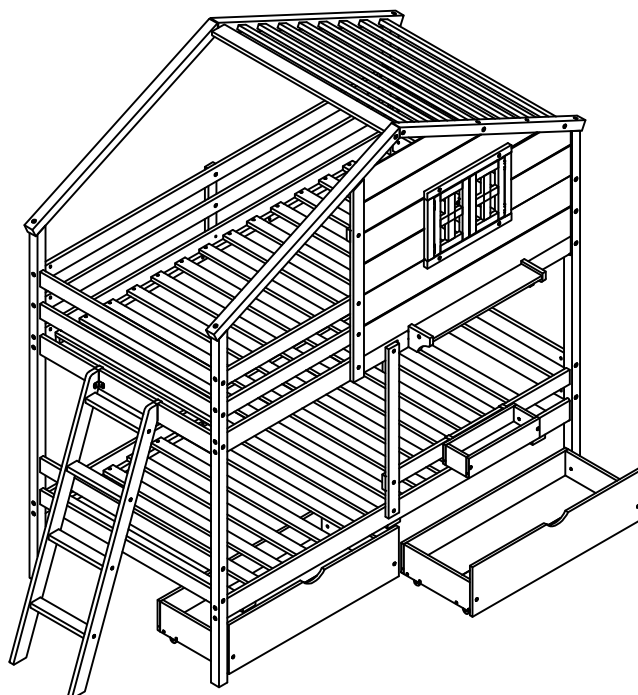


2pcs

STEP 28:



Push Drawer under the bottom of Bunk Bed.



Make sure to tighten all the screws of the bed.