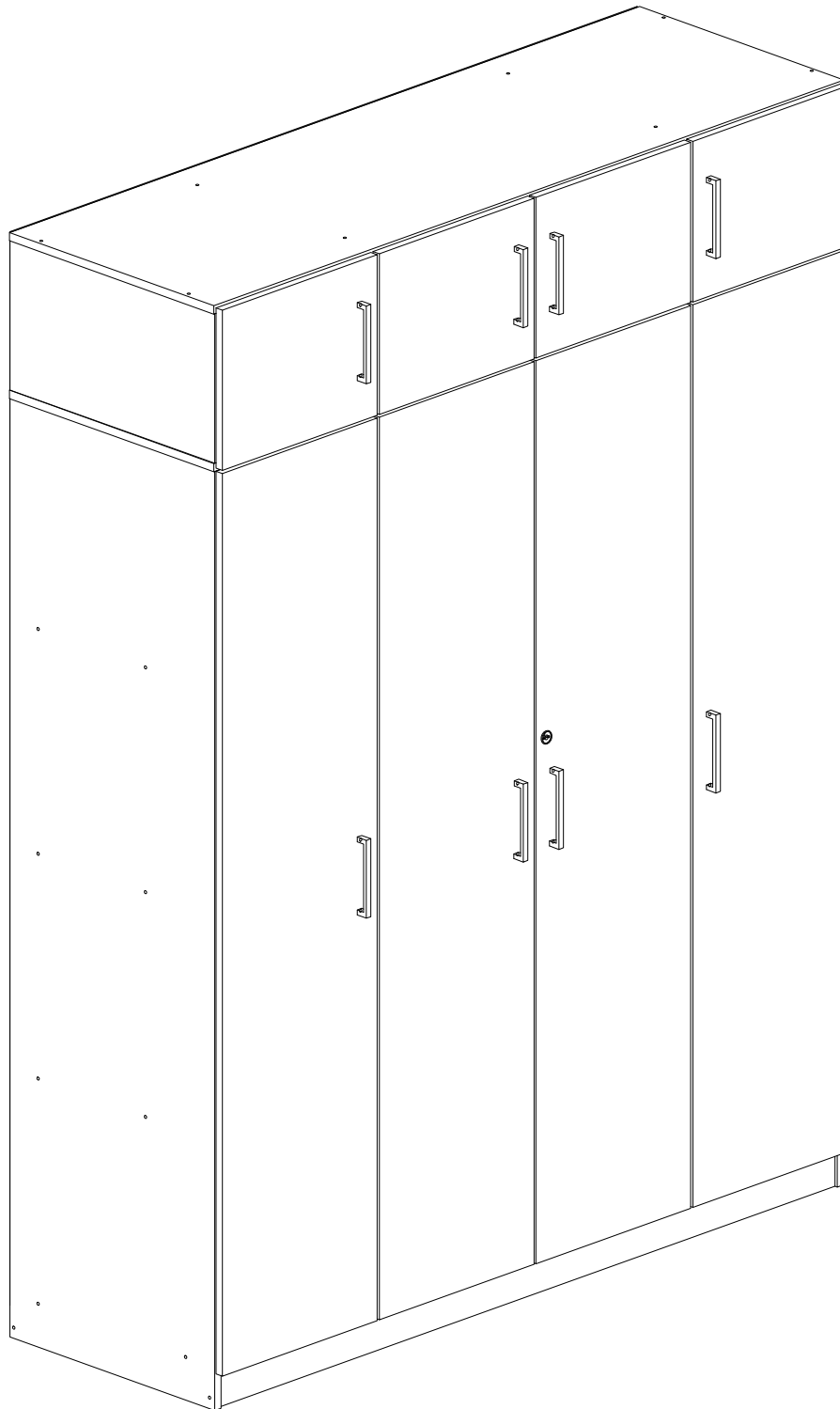


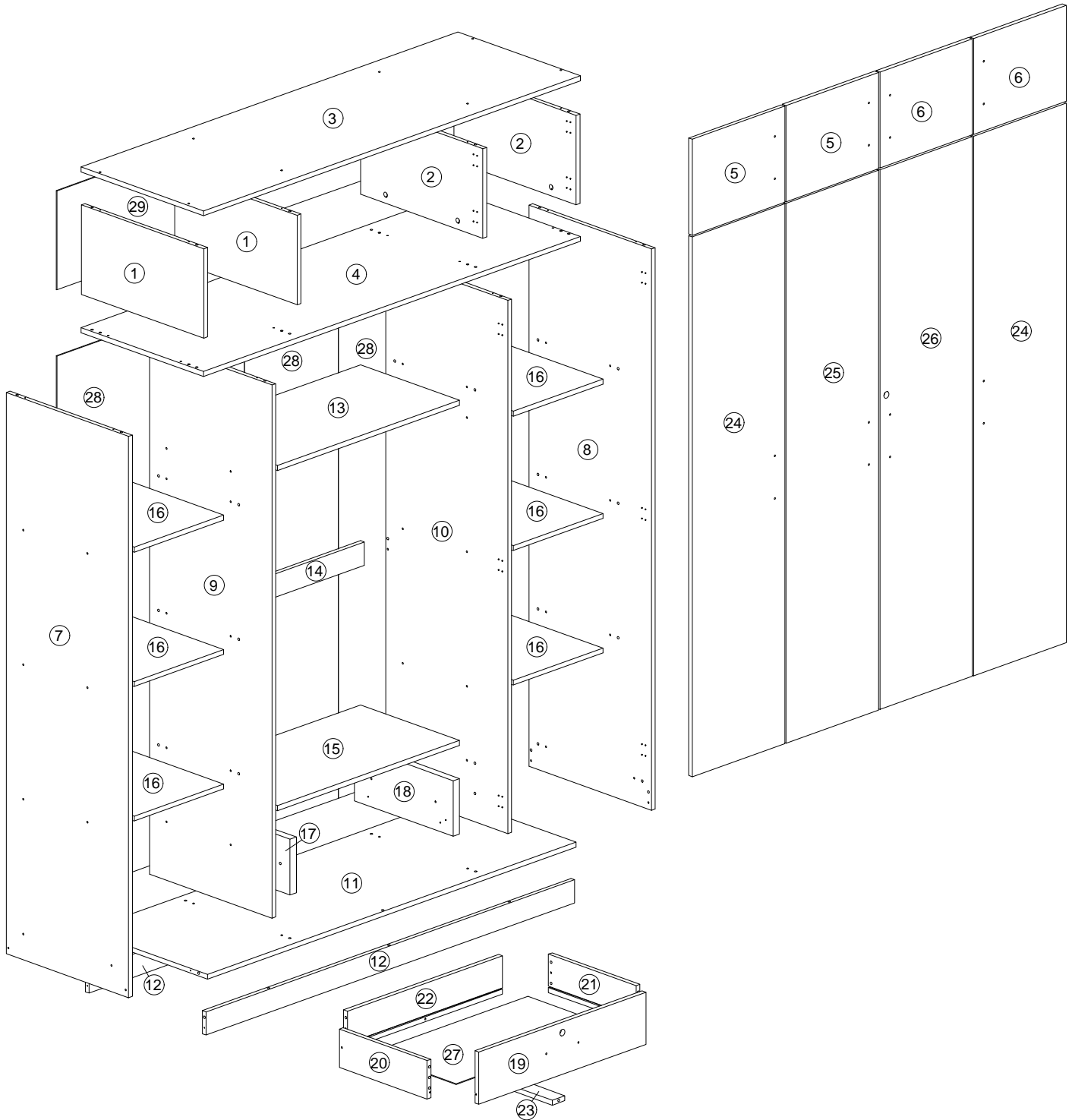
Assembly Instruction

SKU CODE : WF530211 / WF530212 / WF530213 / WF530214



Assembly Instruction

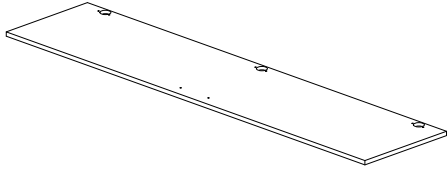
Detail :



Assembly Instruction

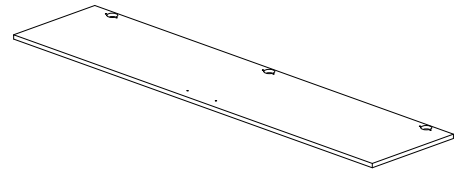
Part List (WF530211)

②④ X 2



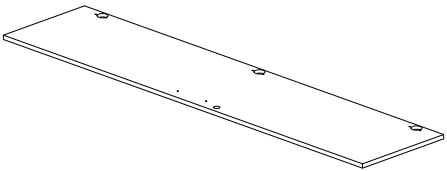
Door Panel Left & Right - Down

②⑤ X 1



Door Panel Center Left - Down

②⑥ X 1

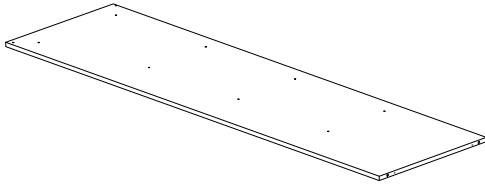


Door Panel Center Right lock - Down

Assembly Instruction

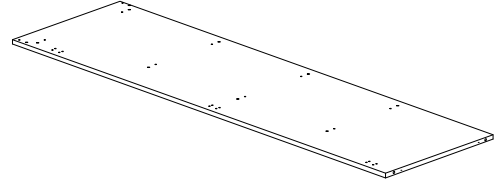
Part List (WF530212)

⑦ X 1



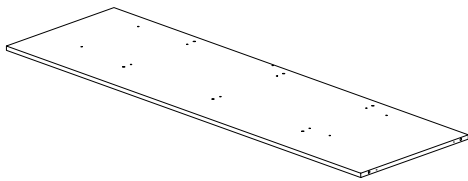
Side Panel Left - Down

⑧ X 1



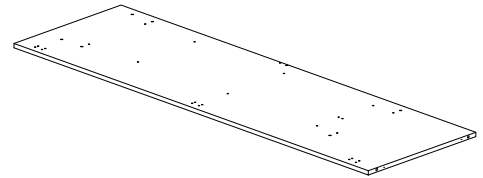
Side Panel Right - Down

⑨ X 1



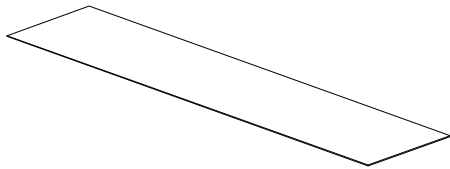
Center Panel Left - Down

⑩ X 1



Center Panel Right - Down

⑳ X 4

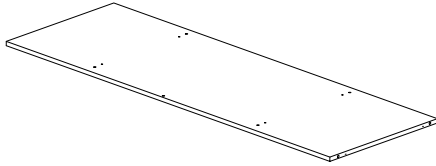


Back Panel - Down

Assembly Instruction

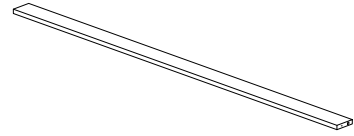
Part List (WF530213)

⑪ X 1



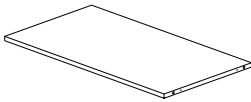
Bottom Panel - Down

⑫ X 2



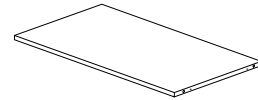
Bottom Support Panel - Down

⑬ X 1



Partition Center Top - Down

⑮ X 1



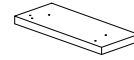
Partition Center Bottom - Down

⑭ X 1



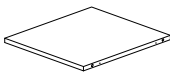
Back Support Panel - Down

⑰ X 1



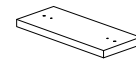
Center Small Support Left - Down

⑯ X 6



Partition Panel Left & Right - Down

⑱ X 1



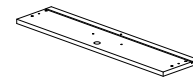
Center Small Support Right - Down

⑳ X 1



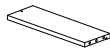
Drawer Side Panel Left - Down

㉑ X 1



Drawer Front Panel - Down

㉒ X 1



Drawer Side Panel Right - Down

㉓ X 1



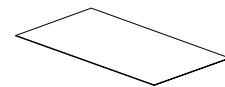
Drawer Back Panel - Down

㉔ X 1



Drawer Stopper Panel - Down

㉗ X 1

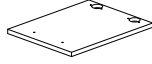


Drawer Bottom Panel - Down

Assembly Instruction

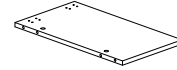
Part List (WF530214)

⑥ X 2



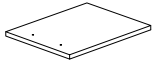
Door Panel Right - Up

① X 2



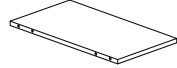
Side Panel Left - Up

⑤ X 2



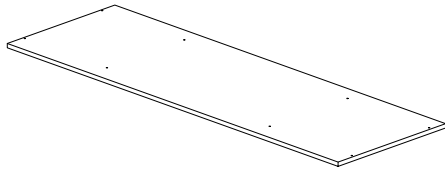
Door Panel Left - Up

② X 2



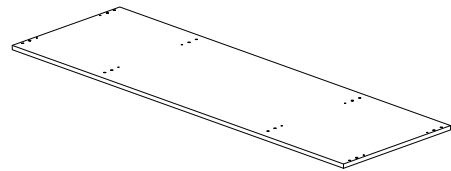
Side Panel Right - Up

③ X 1



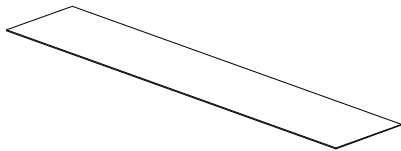
Top Panel - Up

④ X 1



Top Partition Panel - Up


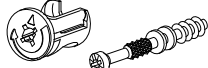
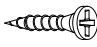


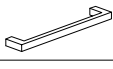


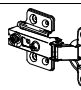
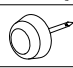

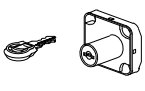
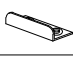
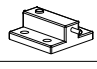

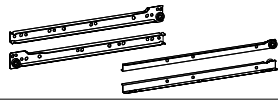

②⑨ X 1




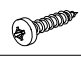
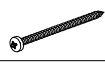

Back Panel - Up

Assembly Instruction

Hardware List (WF530213)

No.	SHAPE	DESCRIPTION	Qty.
A		8x25mm Dowel Wood	88Pcs
B		15mm Myfix Minifix	11Sets
C		M3.5x16mm Screw	154Pcs
D		M4x45mm Screw	65Pcs
E		V Bracket	2Pcs
F		Handle KT1010.128 Black	9Pcs
G		M4x28mm Screw	18Pcs
H		M4x38mm Screw	4Pcs
I		Hinges 2/8	20Pcs
J		5/8 Nail With Pin	8Pcs
K		6/8 Power Pin	50Pcs
L		Drawer Lock	2Pcs
M		Drawer Lock Support H10.9	1Pc
N		Furniture Bolt	2Pcs
O		Aluminium Pipe(719mm)	1Pc
P		Drawer Slide (350mm)	1Set
Q		Sticker	20Pcs

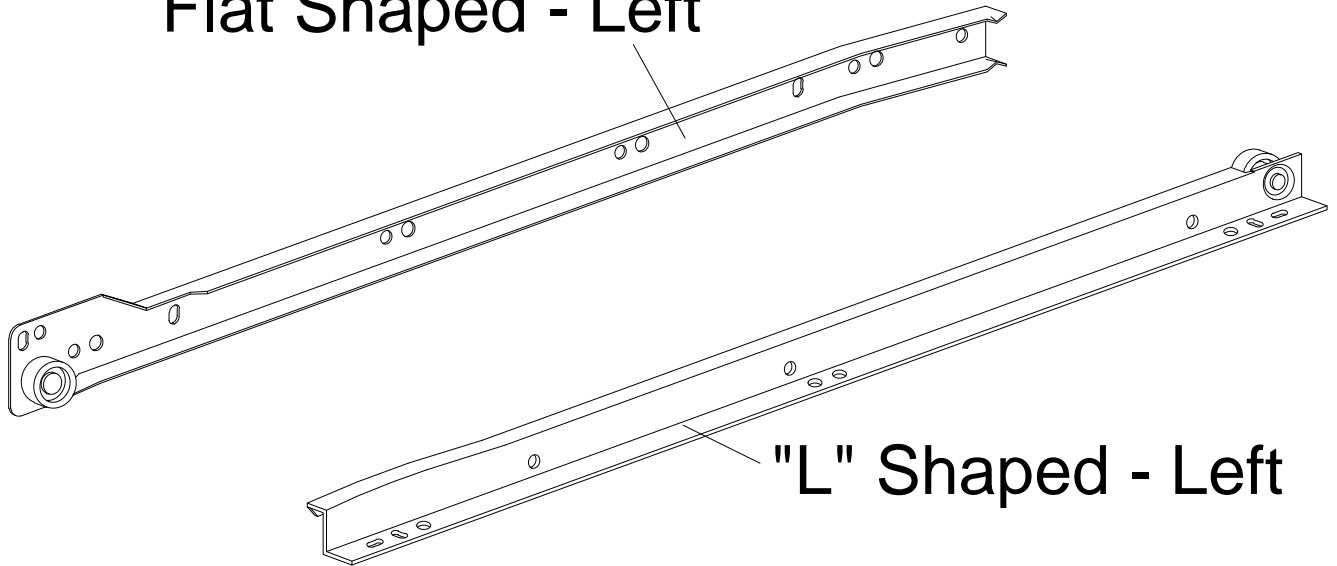
Anti Tipping Hardware (WF303317)

No.	SHAPE	DESCRIPTION	Qty.
a		Mounting Bracket	2Pcs
b		TP 6# x 5/8" Screw	1Pc
c		TP 8# x 2" Screw	1Pc
d		Restraint Strap	1Pc

Assembly Instruction

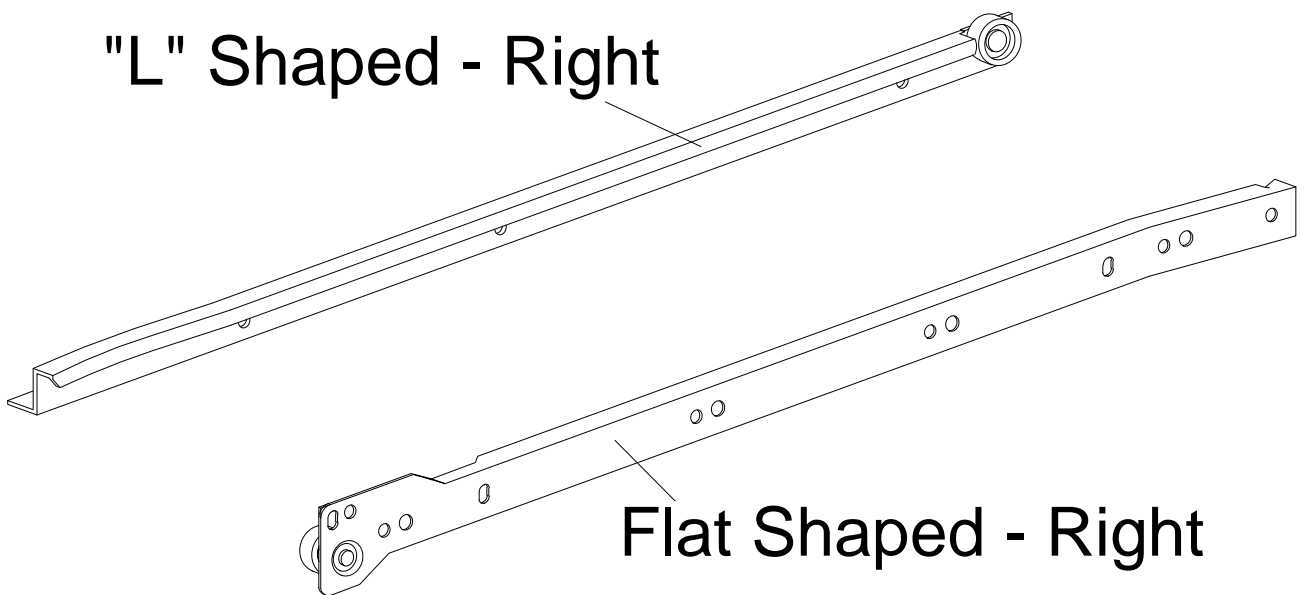
Left Drawer Silde (P)

Flat Shaped - Left



Right Drawer Silde (P)

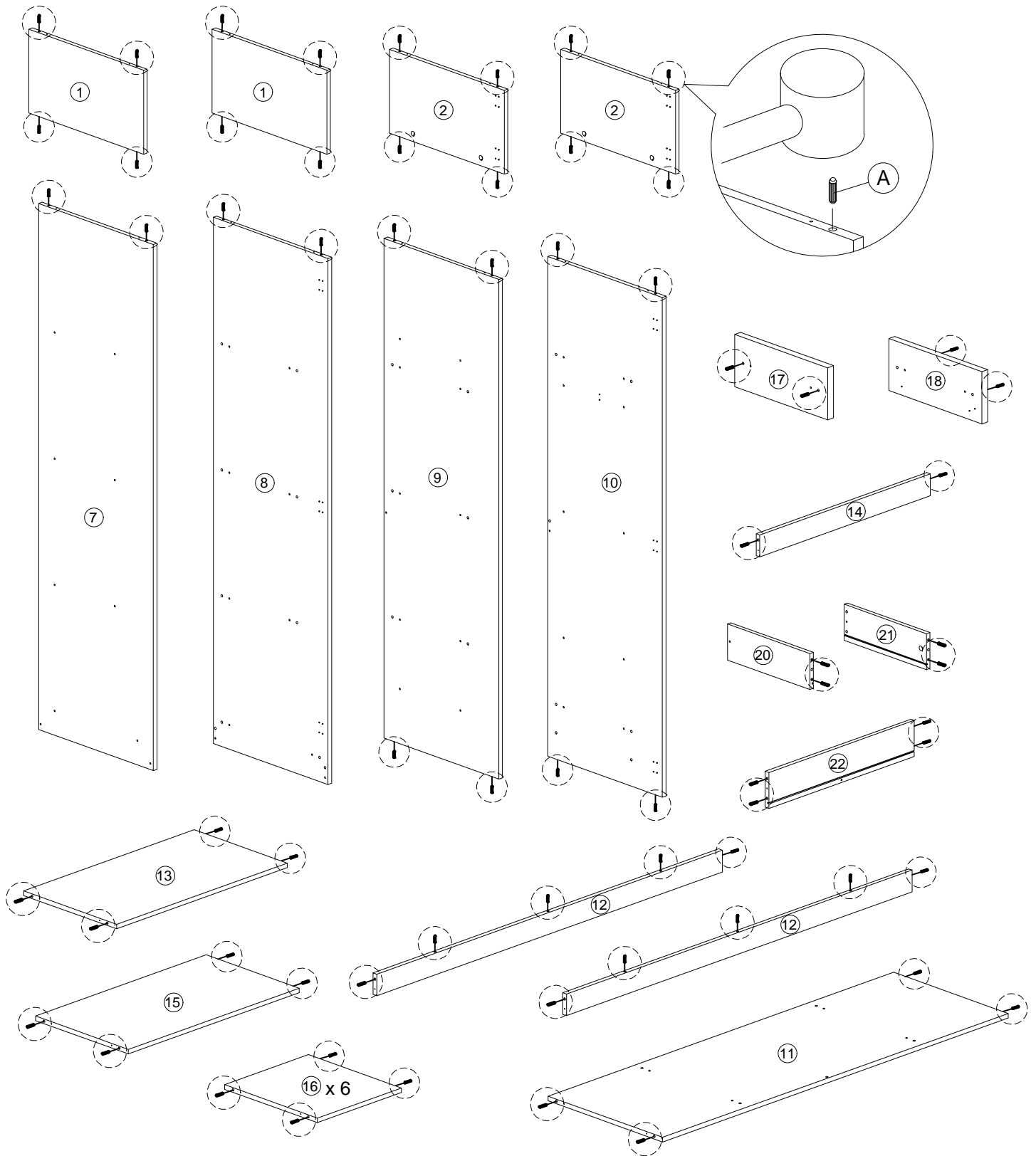
"L" Shaped - Right



Assembly Instruction

Step 1

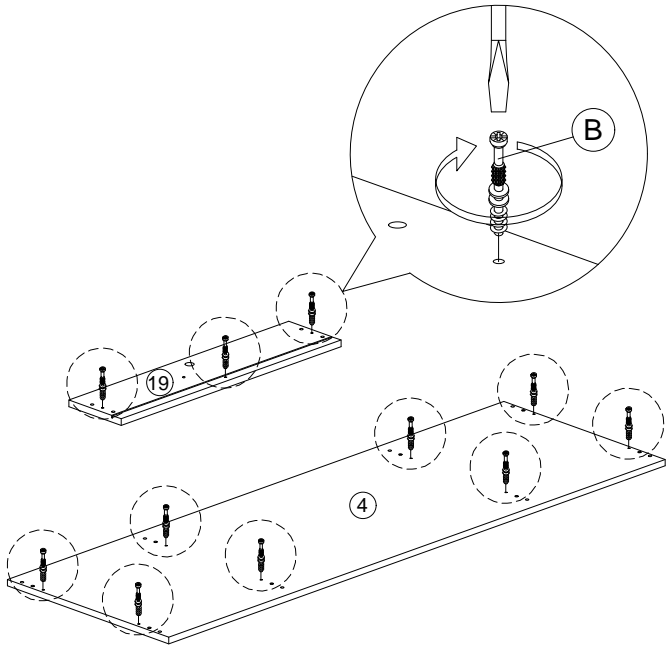
A		8x25mm Dowel Wood	88Pcs
---	---	-------------------	-------



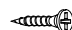

Assembly Instruction

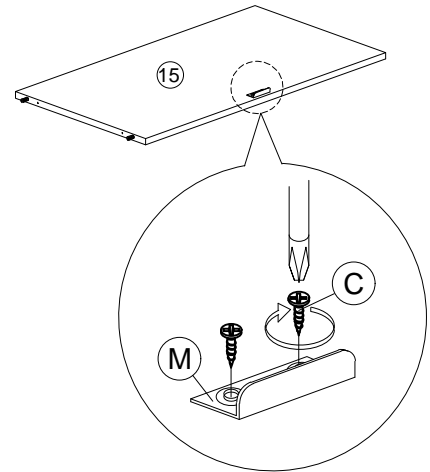
Step 2

B		Myfix	11Pcs
---	---	-------	-------




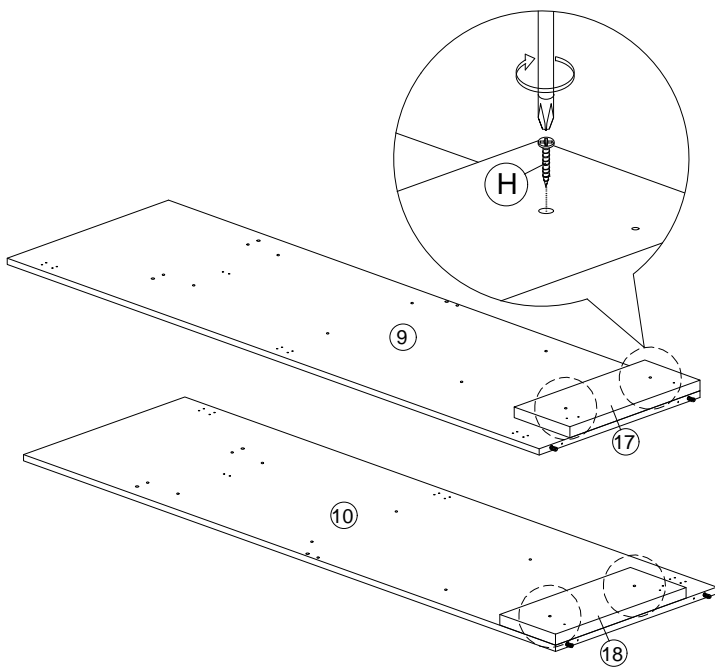
Step 3

C		M3.5x16mm Screw	2Pcs
M		Drawer Lock Support H10.9	1Pc

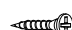



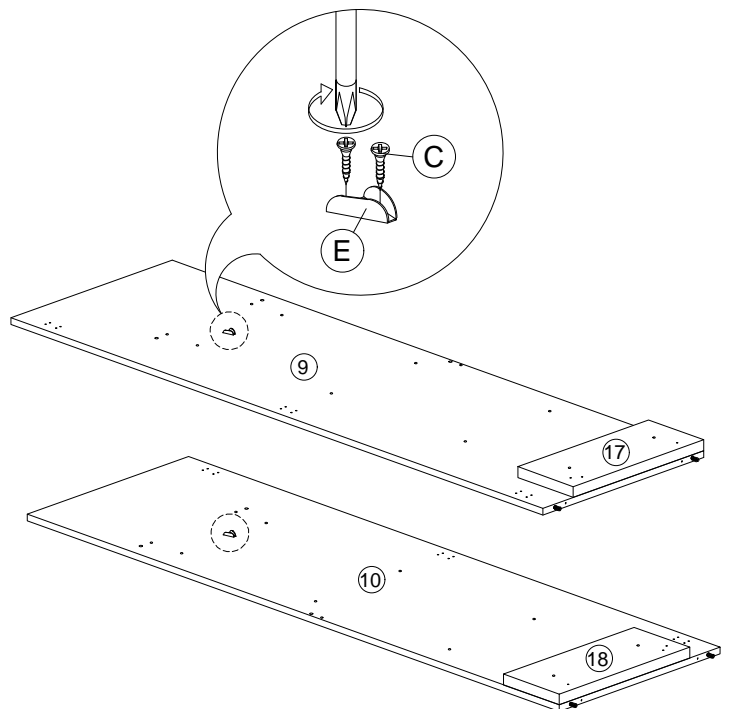
Step 4

H		M4x38mm Screw	4Pcs
---	---	---------------	------



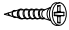

Step 5

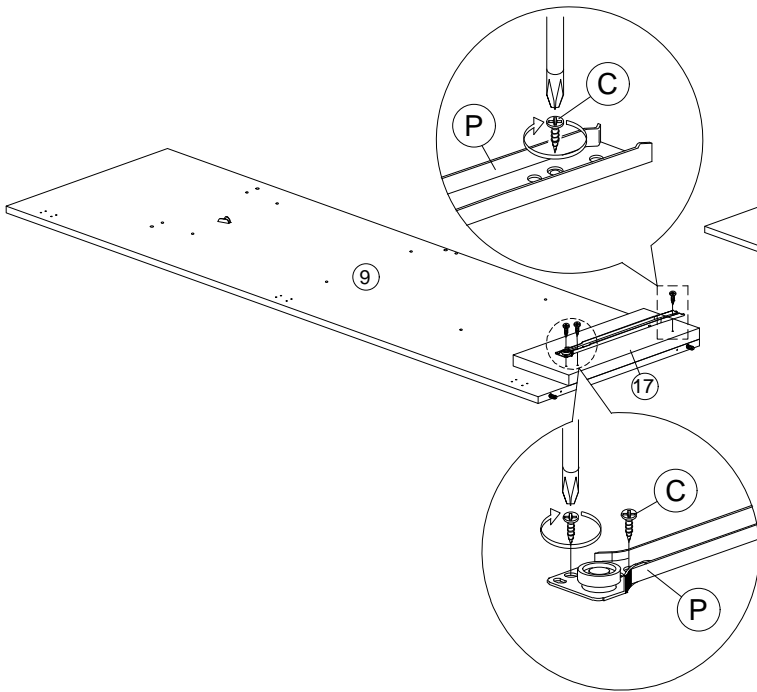
C		M3.5x16mm Screw	4Pcs
E		V Bracket	2Pcs




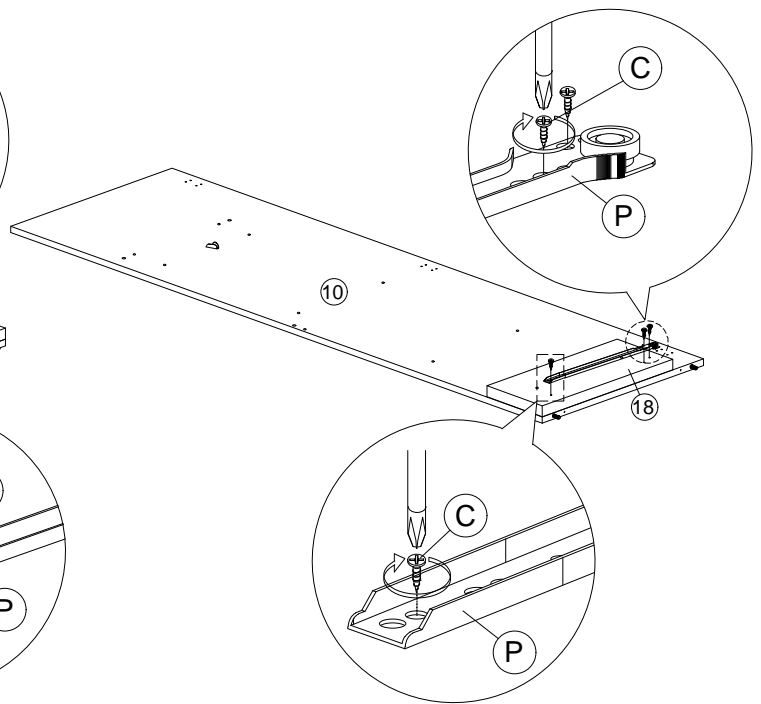
Assembly Instruction

Step 6


C		M3.5x16mm Screw	6Pcs
P		Drawer Slide 350 - R	1Pc

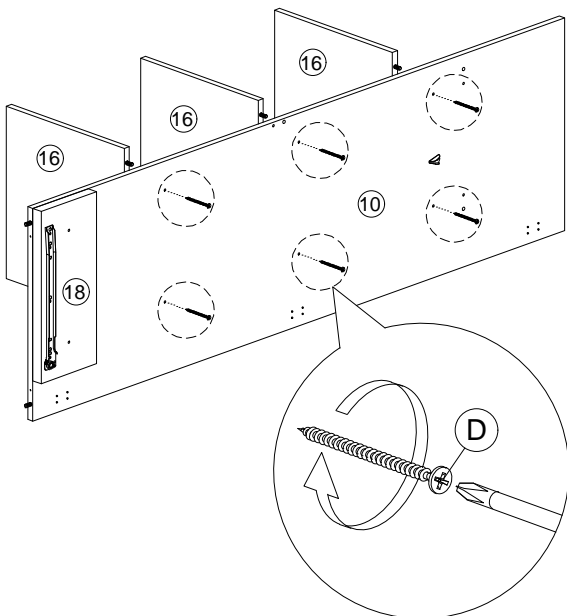


P		Drawer Slide 350 - L	1Pc
---	---	----------------------	-----




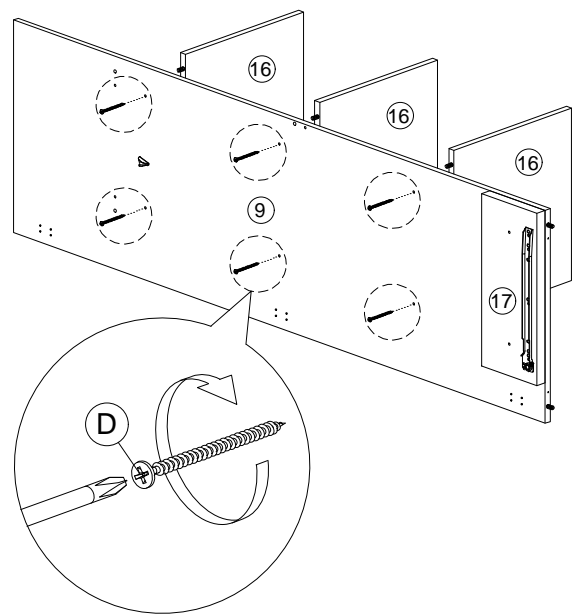
Step 7

D		M4x45mm Screw	6Pcs
---	---	---------------	------




Step 8

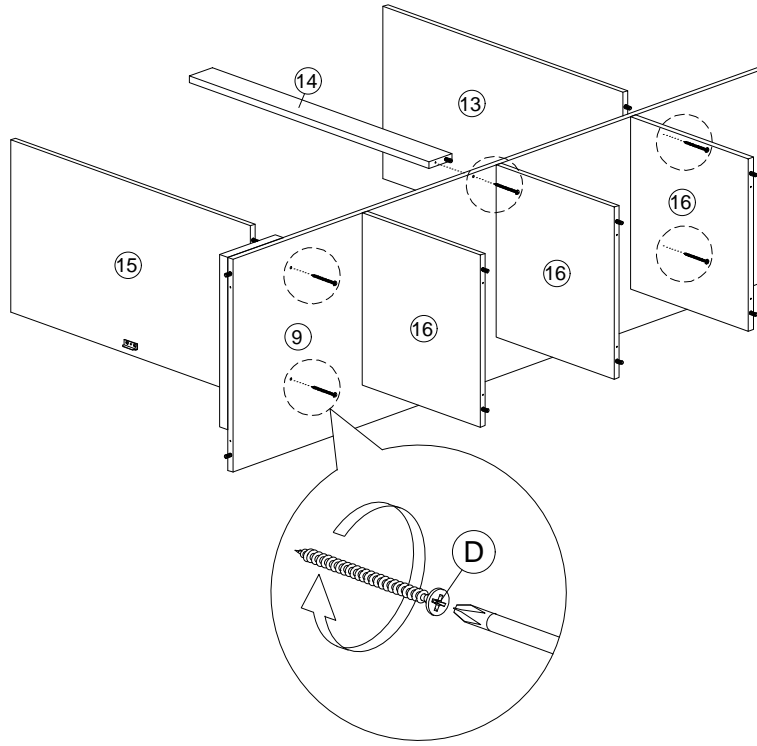
D		M4x45mm Screw	6Pcs
---	---	---------------	------




Assembly Instruction

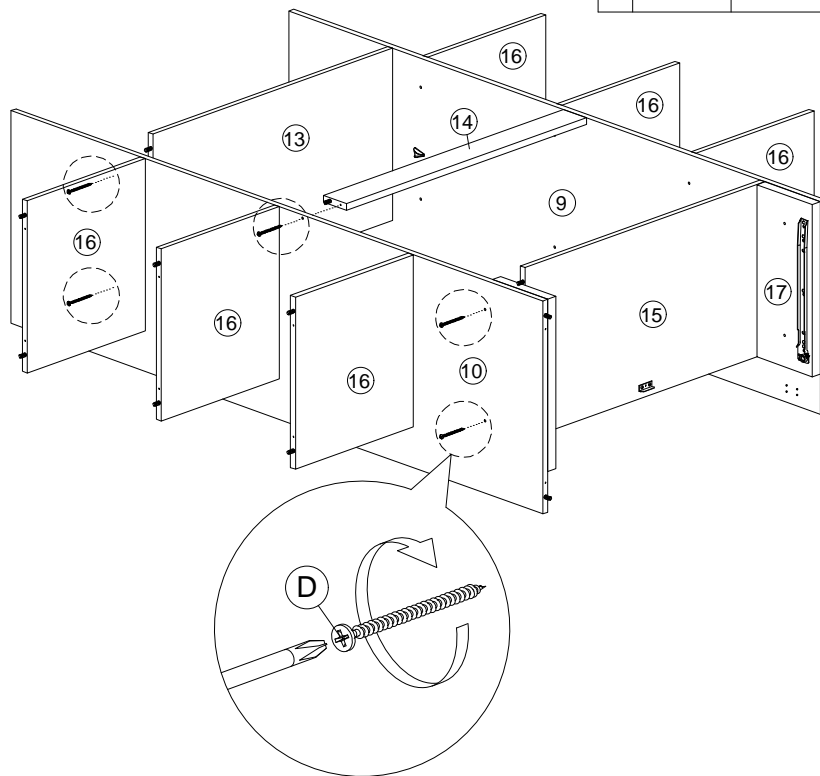
Step 9

D		M4x45mm Screw	5Pcs
---	---	---------------	------




Step 10

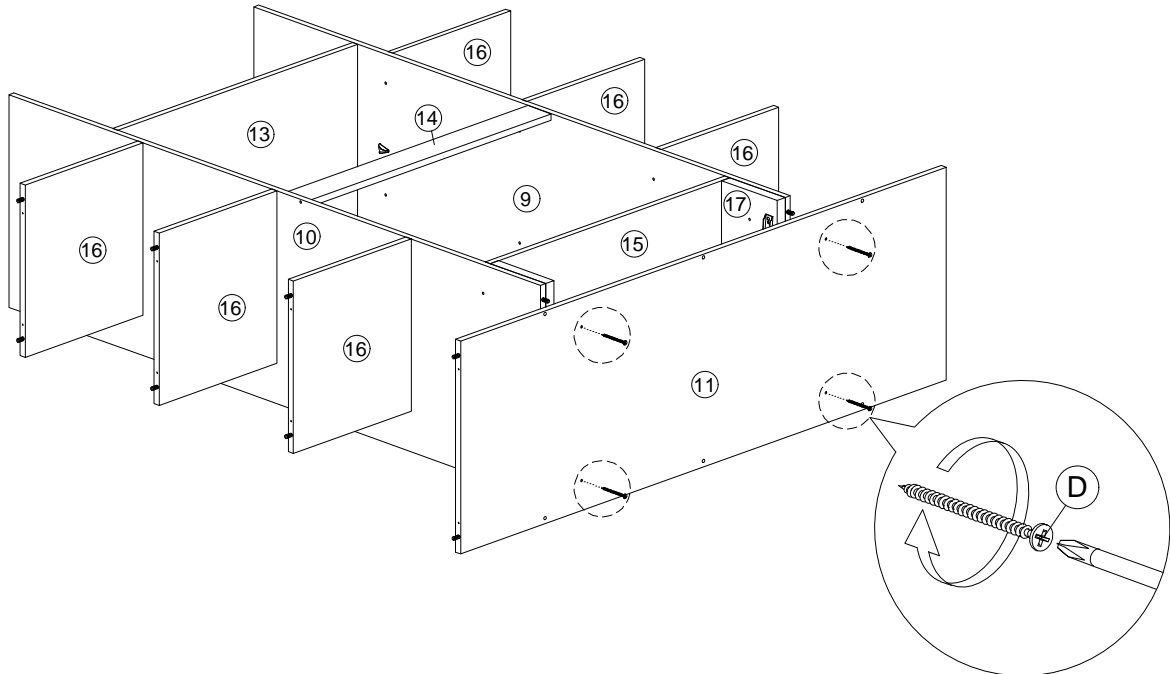
D		M4x45mm Screw	5Pcs
---	---	---------------	------



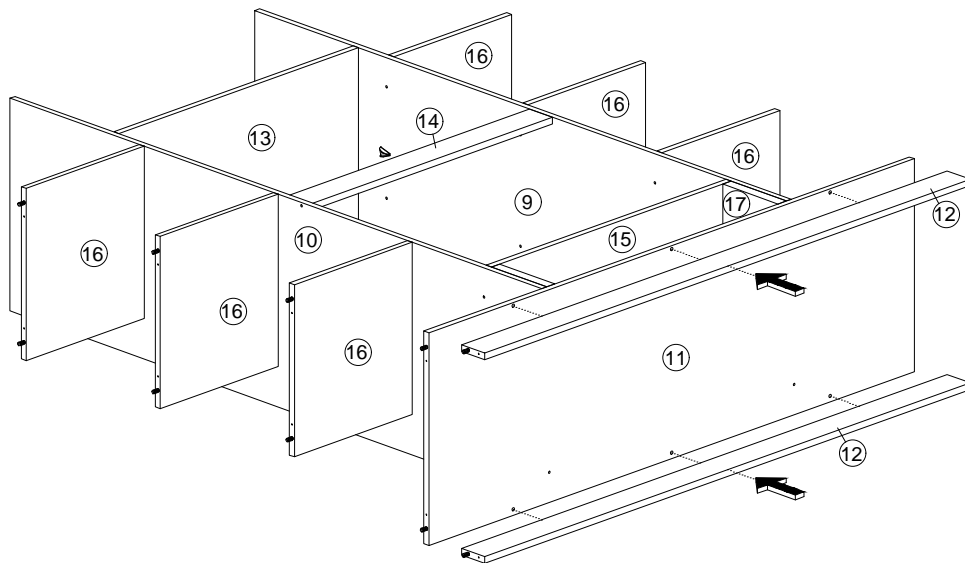
Assembly Instruction

Step 11

D		M4x45mm Screw	4Pcs
---	---	---------------	------




Step 12

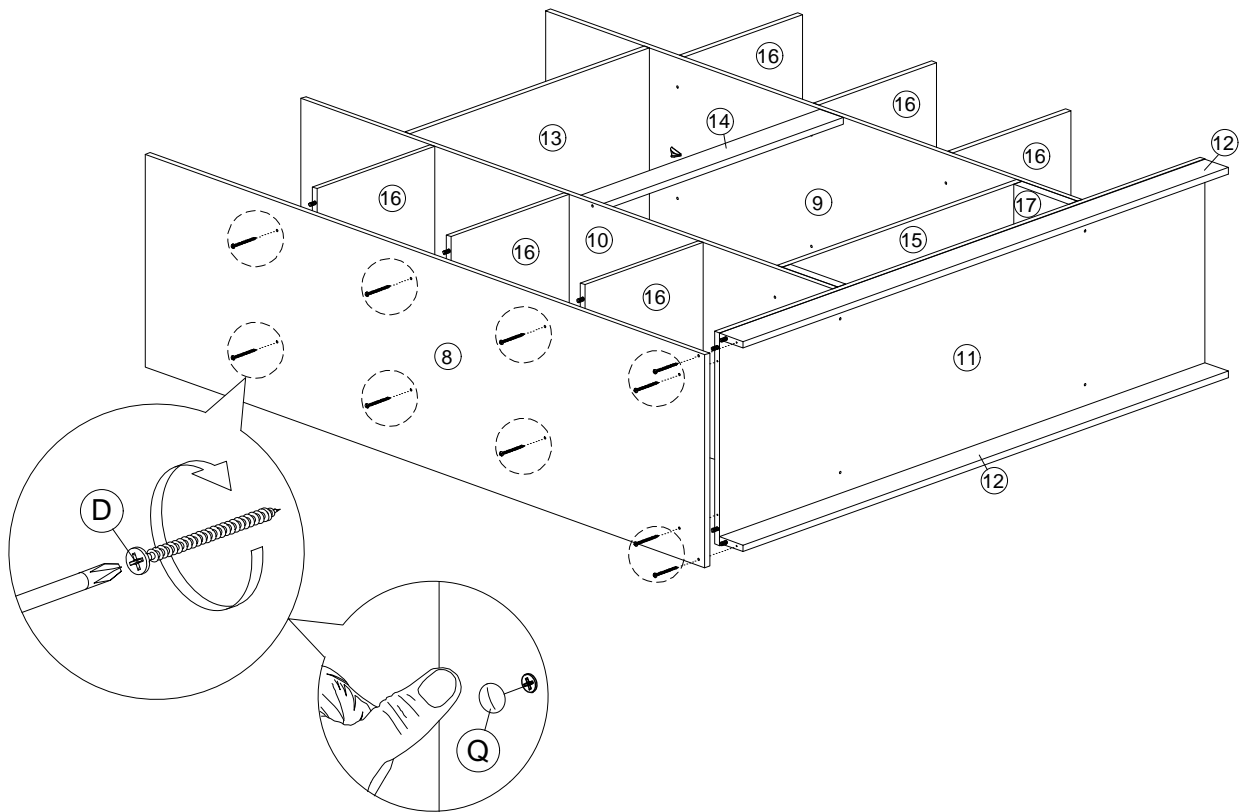


Assembly Instruction

Step 13


D		M4x45mm Screw	10Pcs
---	---	---------------	-------

Q		Sticker	10Pcs
---	---	---------	-------

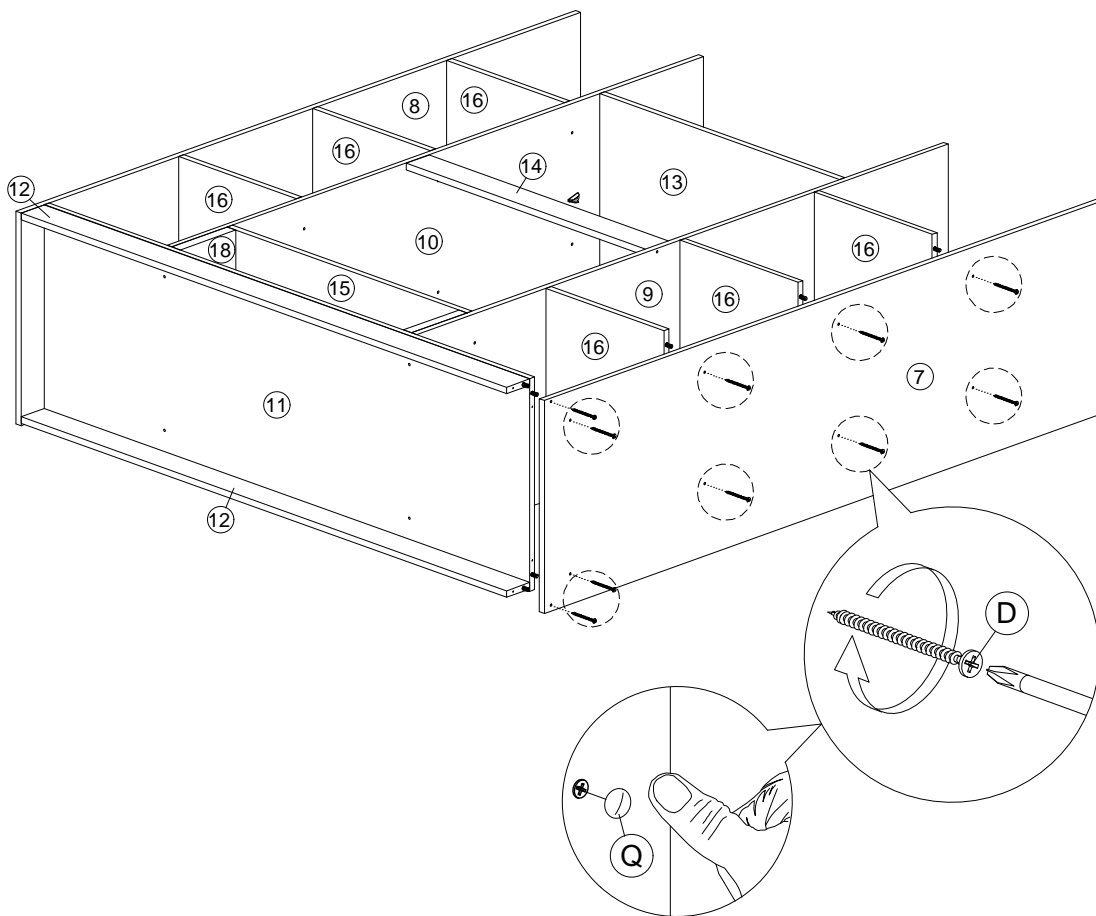


Assembly Instruction

Step 14


D		M4x45mm Screw	10Pcs
---	---	---------------	-------

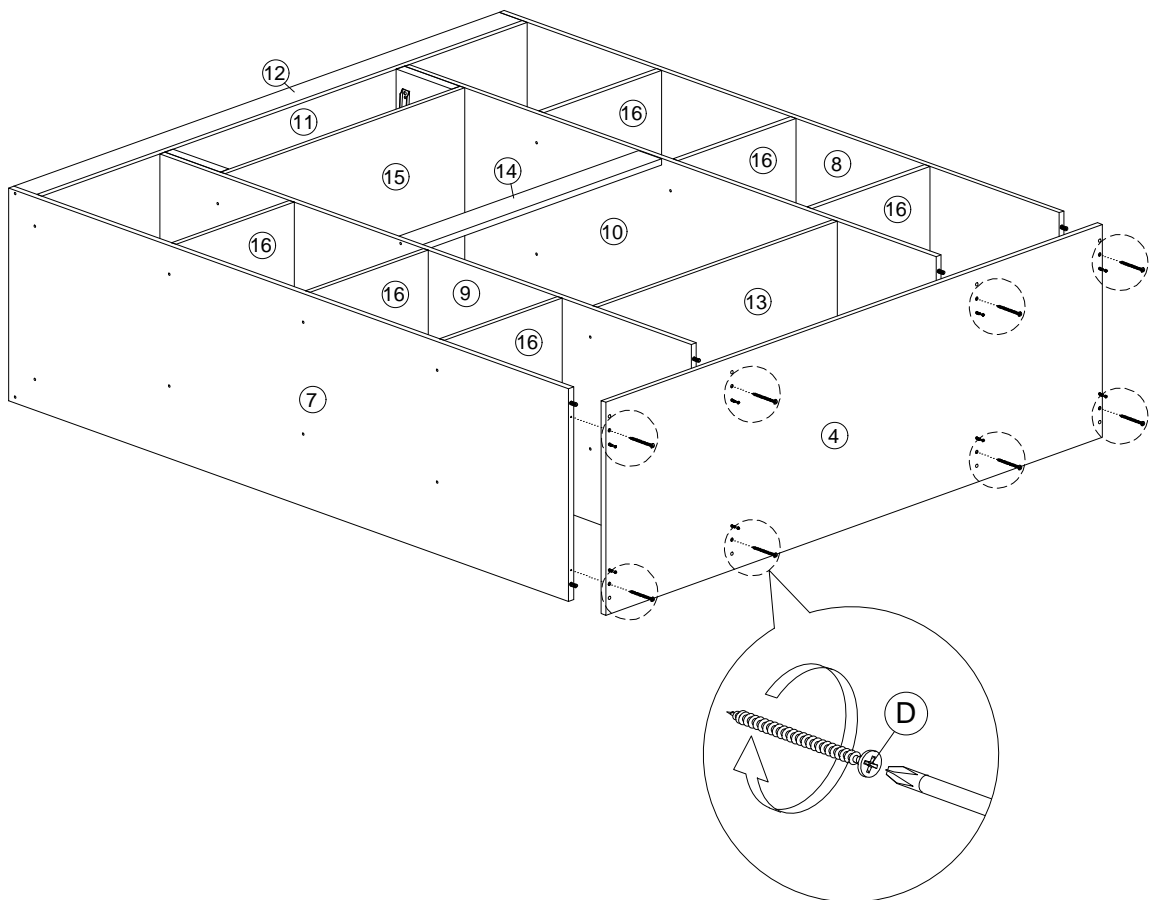
Q		Sticker	10Pcs
---	---	---------	-------



Assembly Instruction

Step 15

D		M4x45mm Screw	8Pcs
---	---	---------------	------



Assembly Instruction

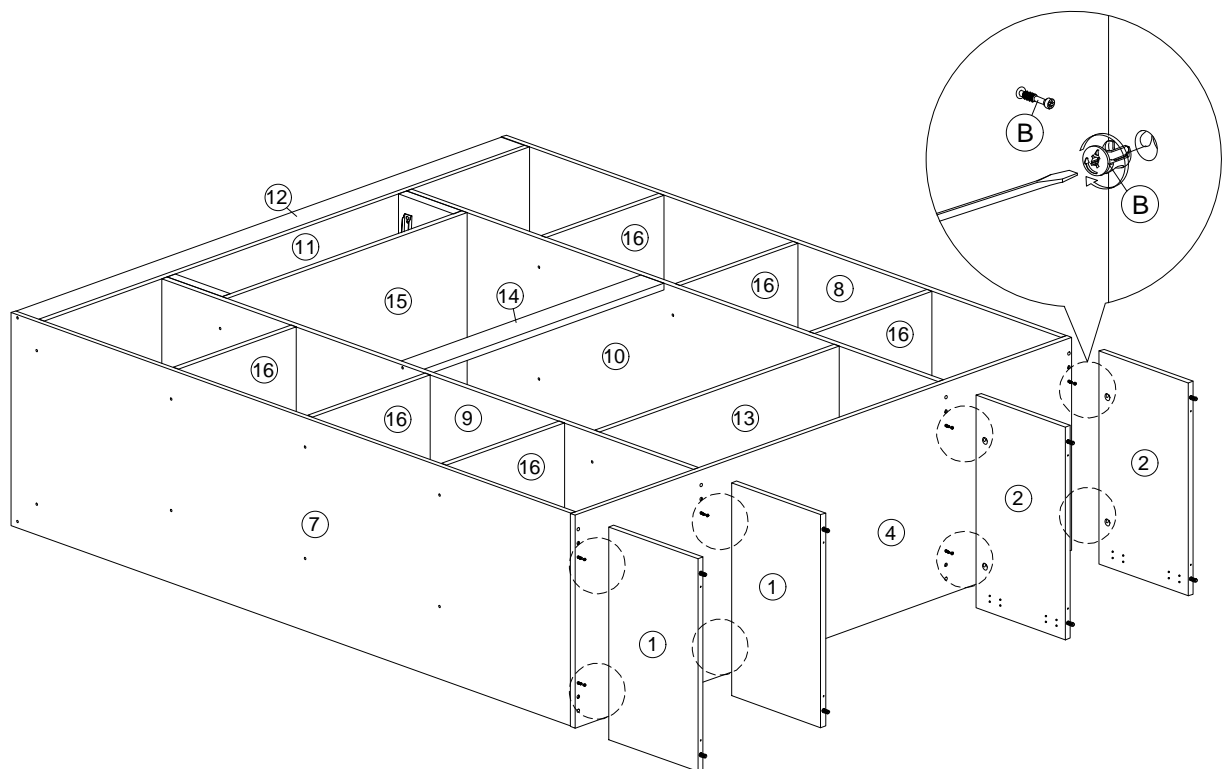
Step 16

B




Minifix

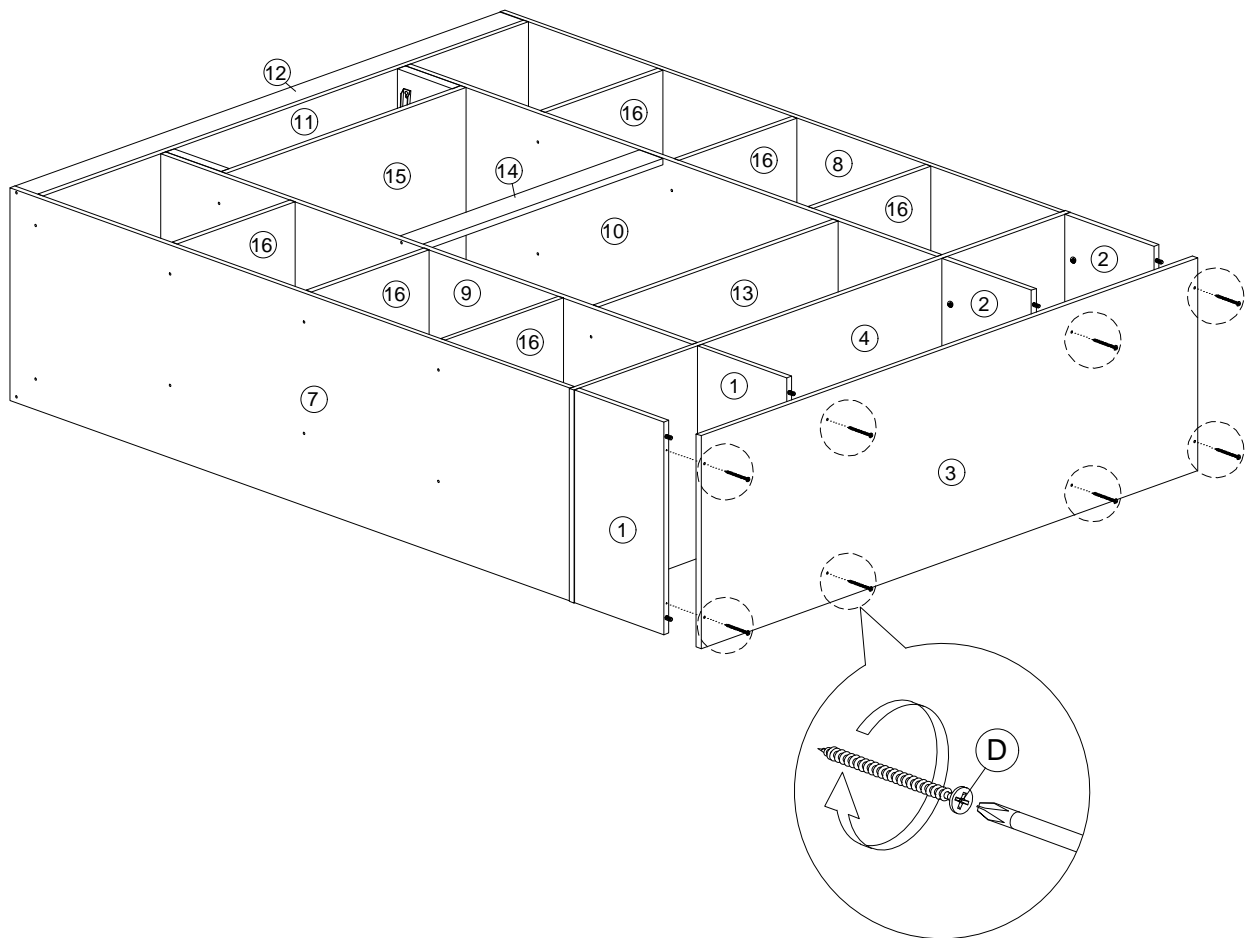
8Pcs



Assembly Instruction

Step 17

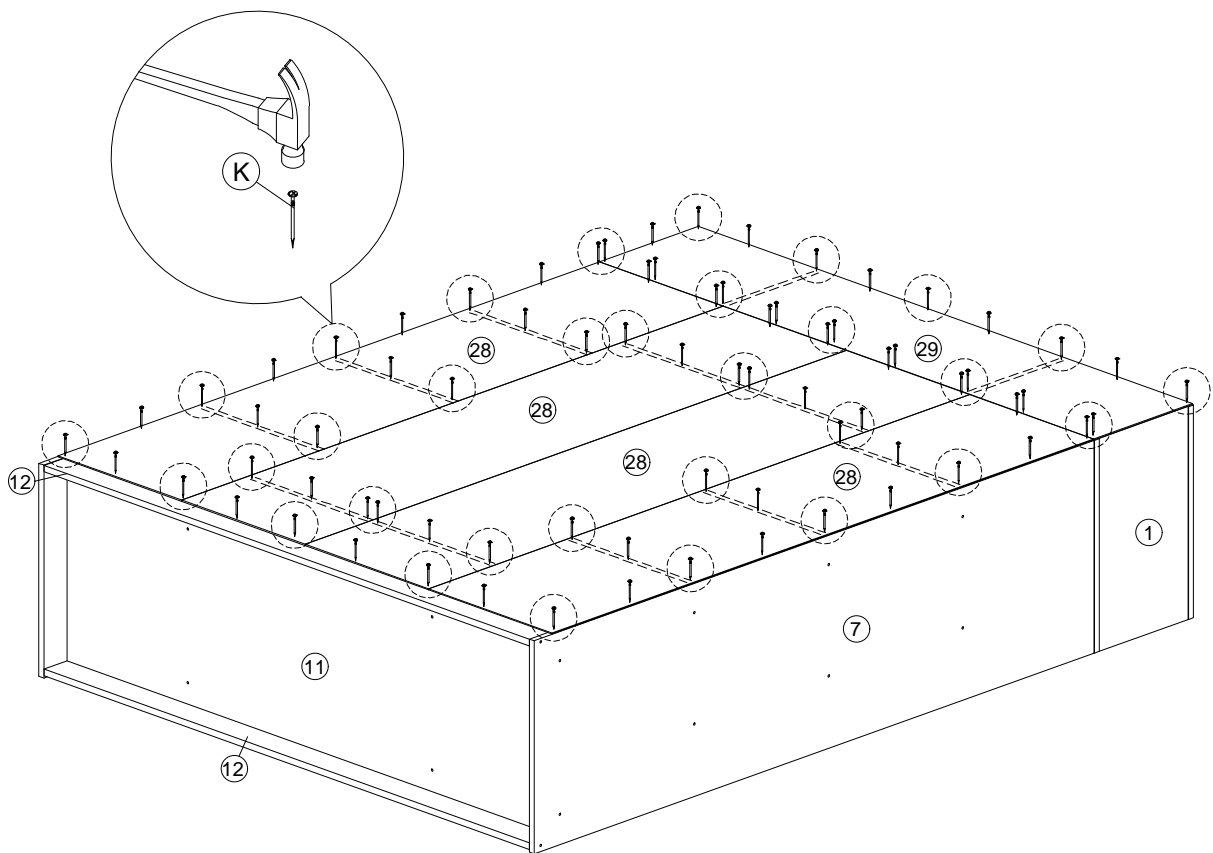
D		M4x45mm Screw	8Pcs
---	---	---------------	------



Assembly Instruction

Step 18

K		6/8 Power Pin	50Pcs
---	---	---------------	-------



Assembly Instruction

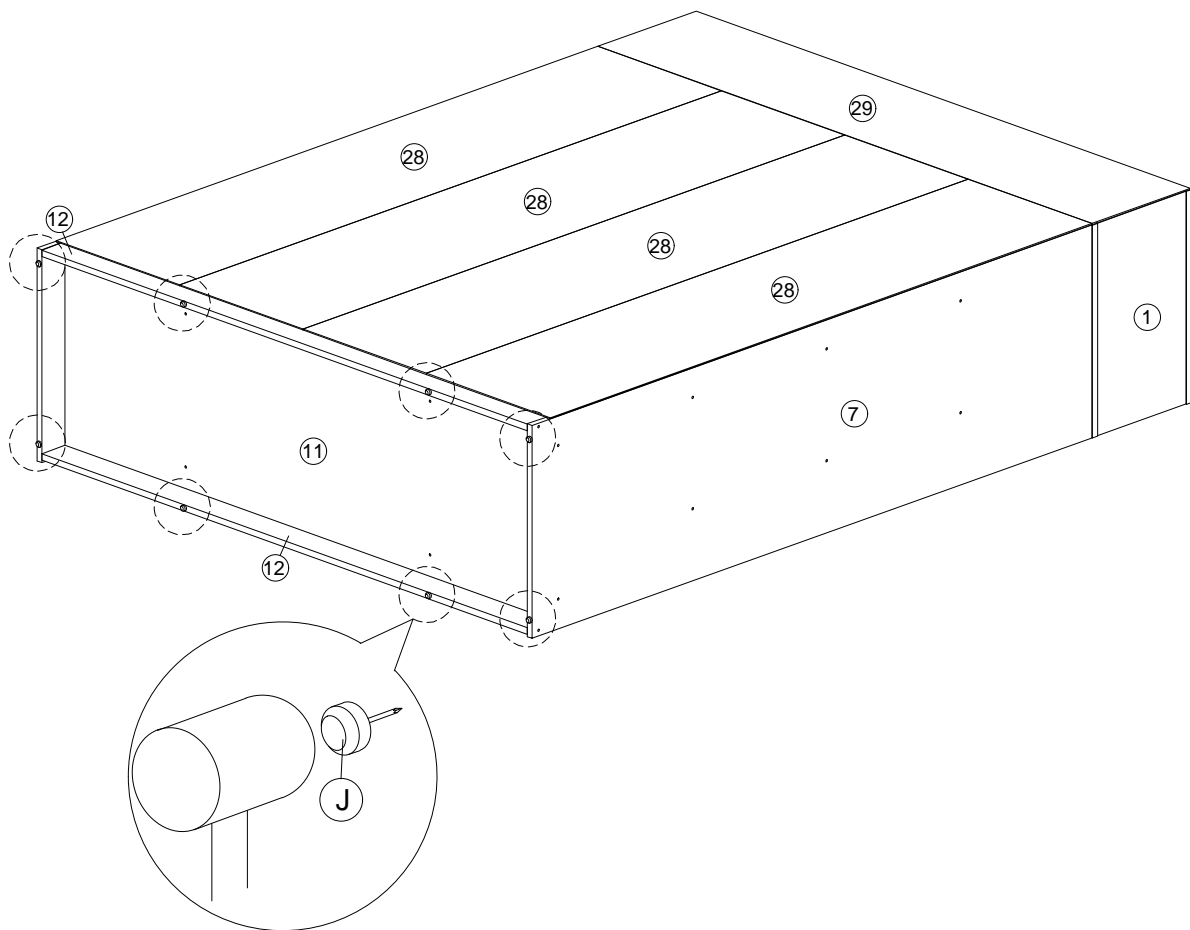
Step 19

J



5/8 Nail With Pin

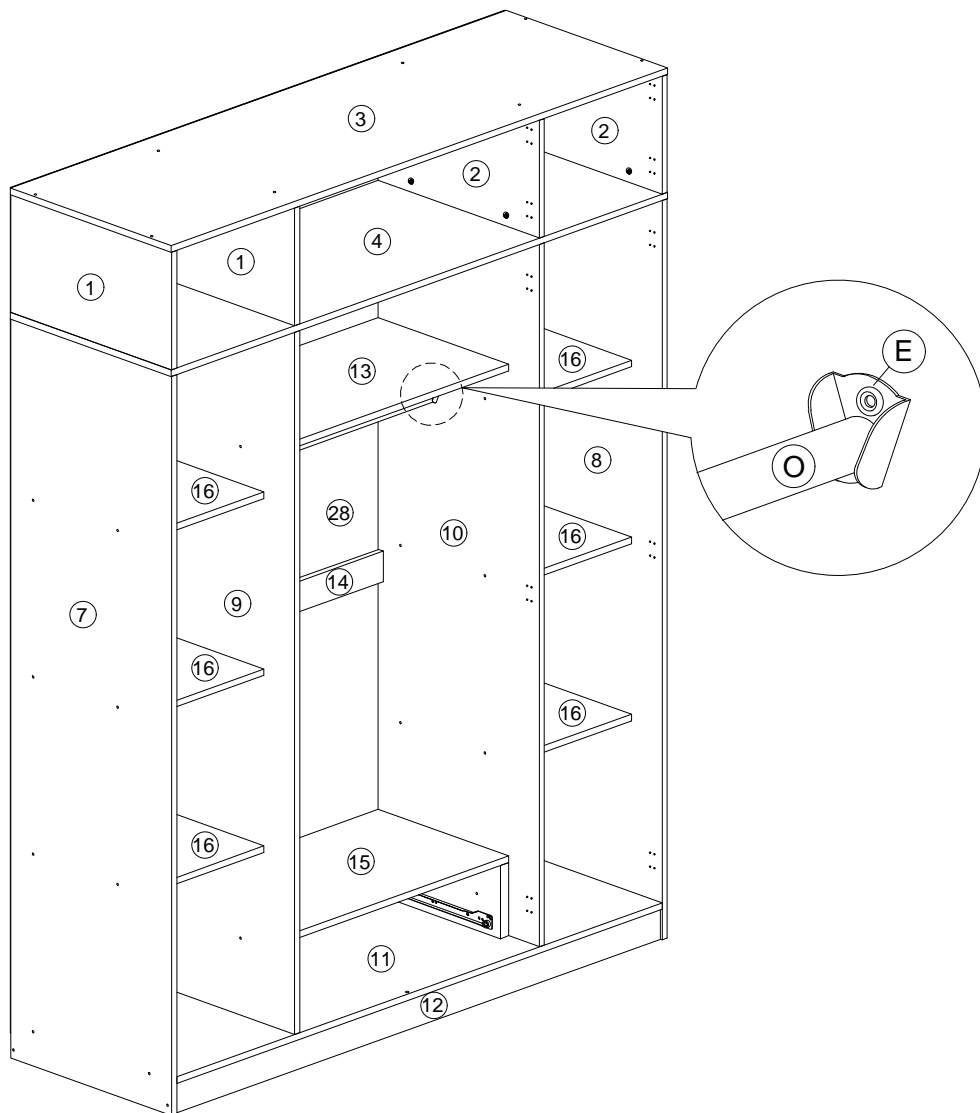
8Pcs



Assembly Instruction


Step 20

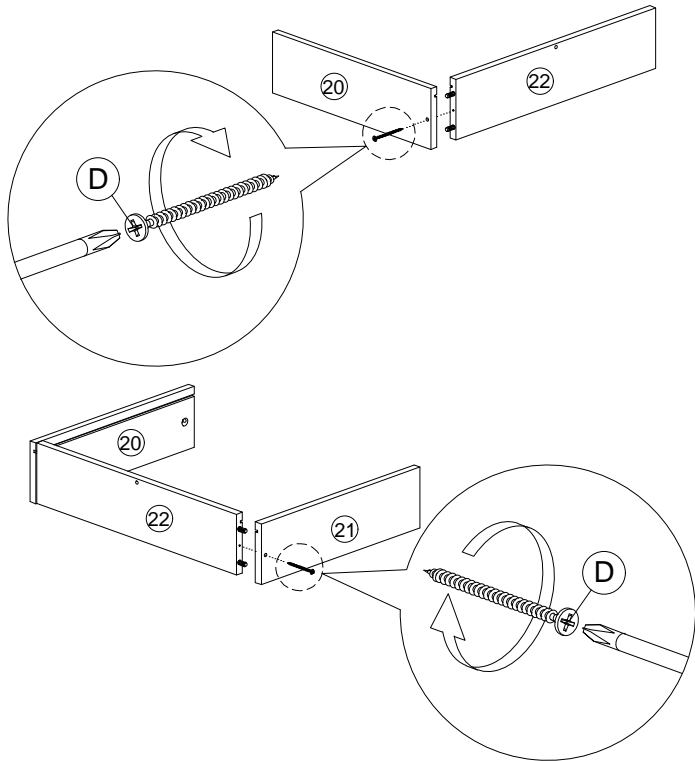
O		Aluminium Pipe (719mm)	1Pc
---	---	------------------------	-----




Assembly Instruction

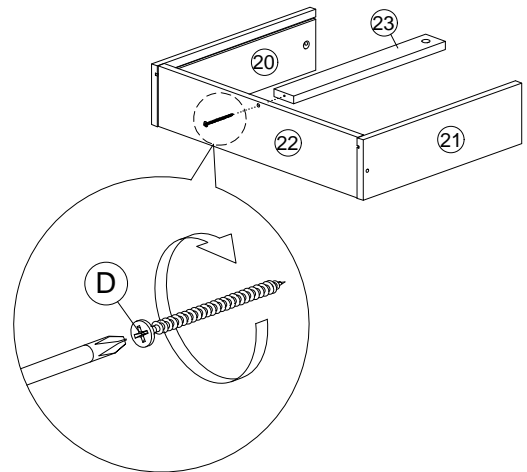
Step 21

D		M4x45mm Screw	2Pcs
---	---	---------------	------

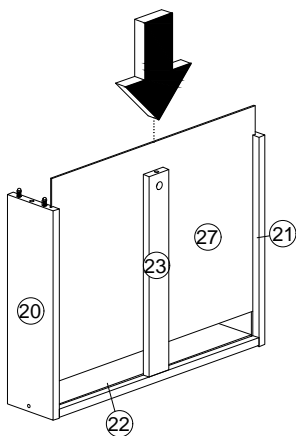


Step 22

D		M4x45mm Screw	1Pc
---	---	---------------	-----

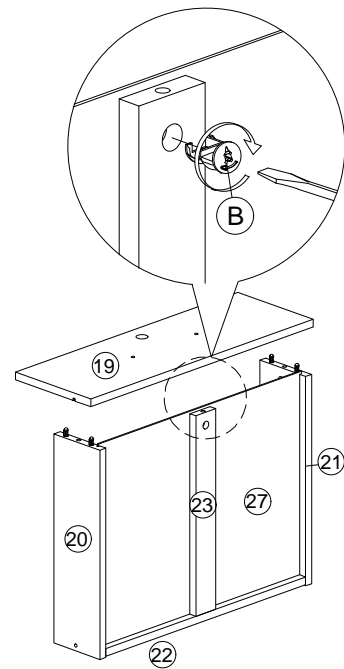


Step 23




Step 24

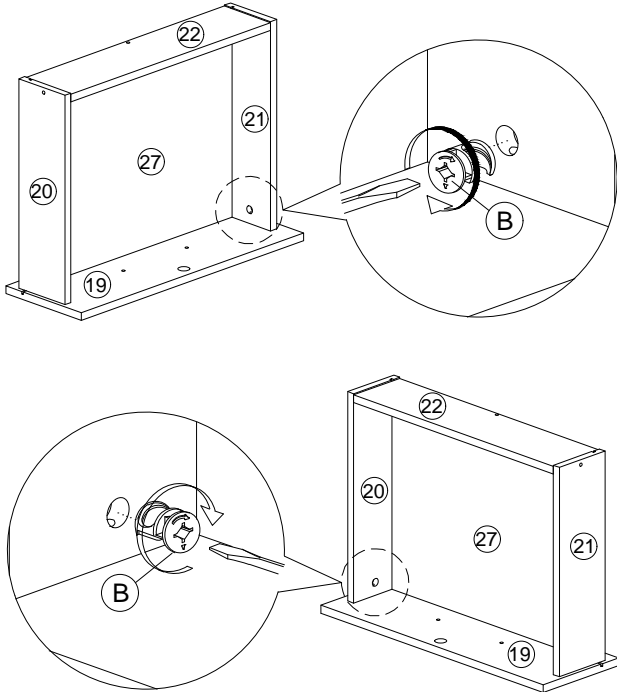
B		Minifix	1Pc
---	---	---------	-----





Assembly Instruction

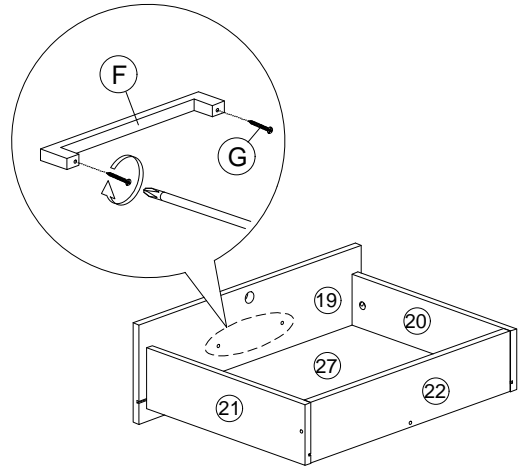
Step 25

B		Minifix	2Pcs
---	---	---------	------





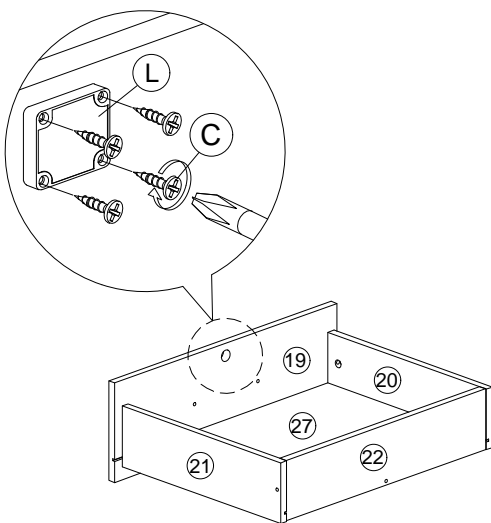
Step 26

F		Handle KT1010.128 Black	1Pc
G		M4x28mm Screw	2Pcs

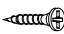



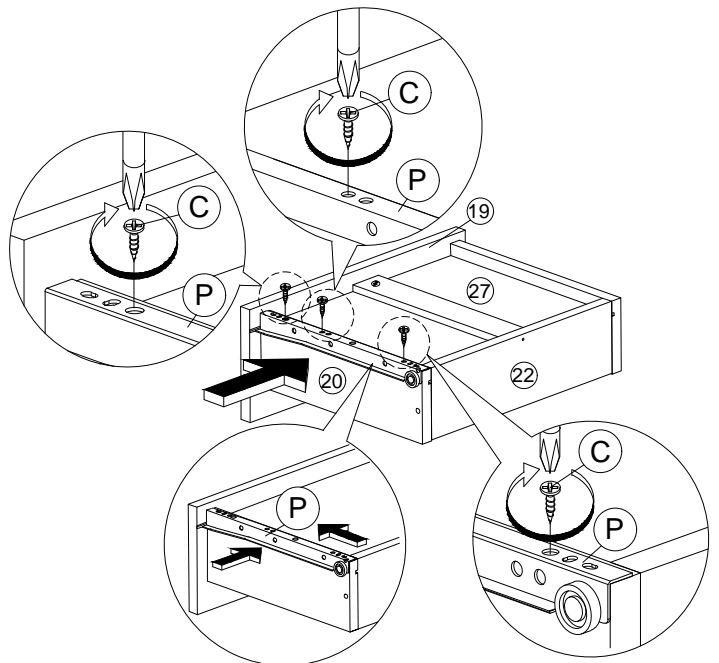
Step 27

C		M3.5x16mm Screw	4Pcs
L		Drawer Lock	1Pc



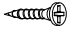

Step 28

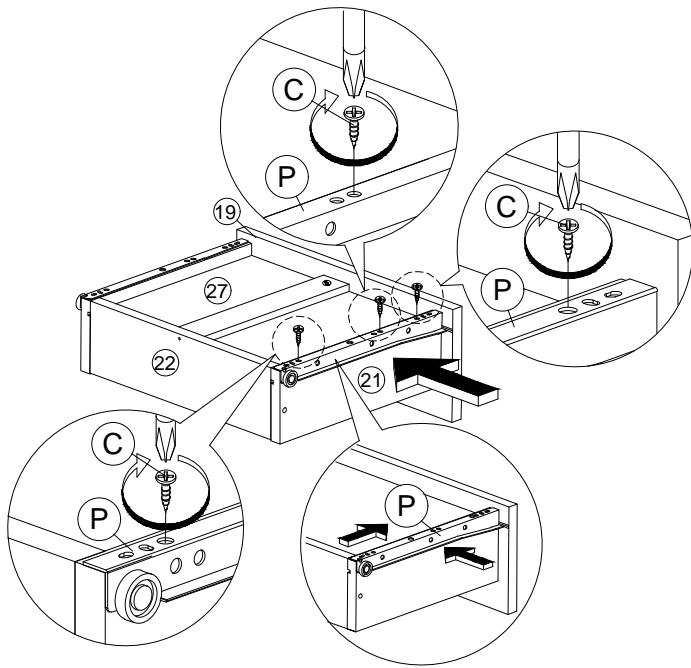
C		M3.5x16mm Screw	3Pcs
P		Drawer Slide 350 - L	1Pc



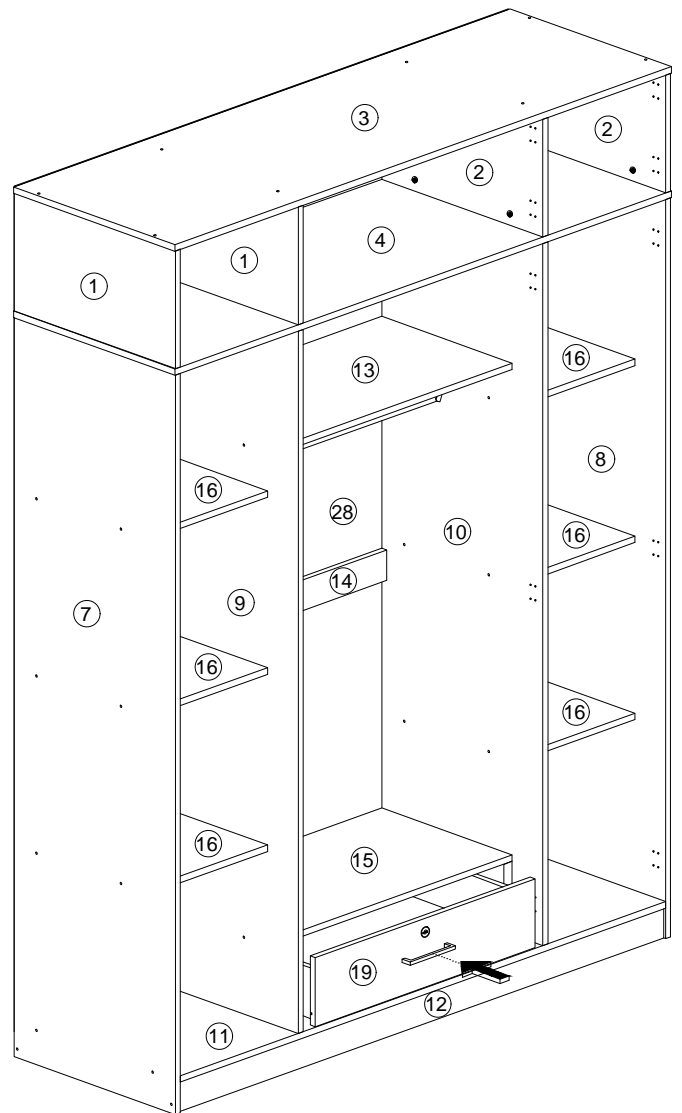
Assembly Instruction

Step 29

C		M3.5x16mm Screw	3Pcs
P		Drawer Slide 350 - R	1Pc

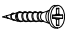



Step 30

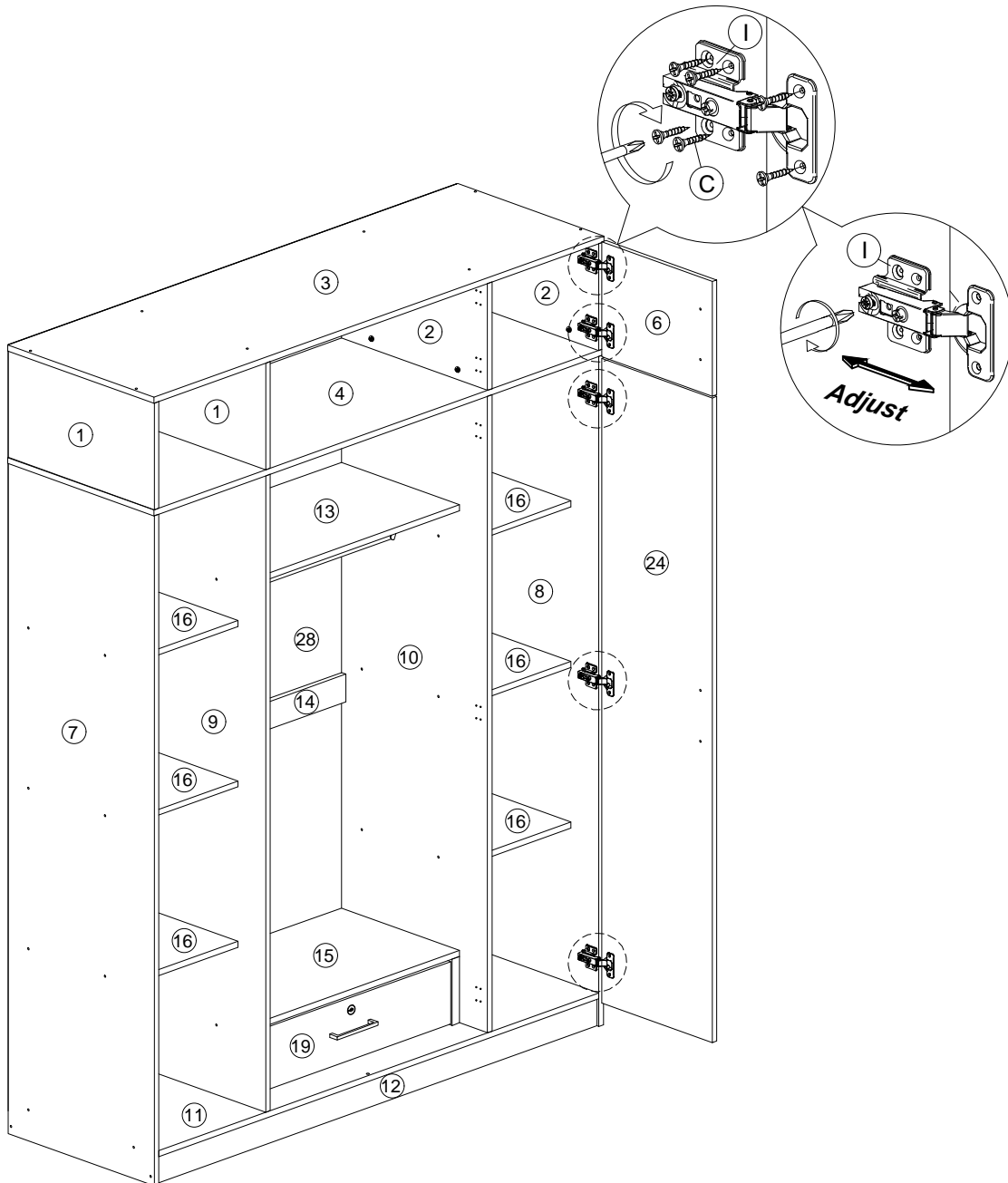


Assembly Instruction

Step 31

C		M3.5x16mm Screw	30Pcs
---	---	-----------------	-------


I		Hinges 2/8	5Pcs
---	---	------------	------

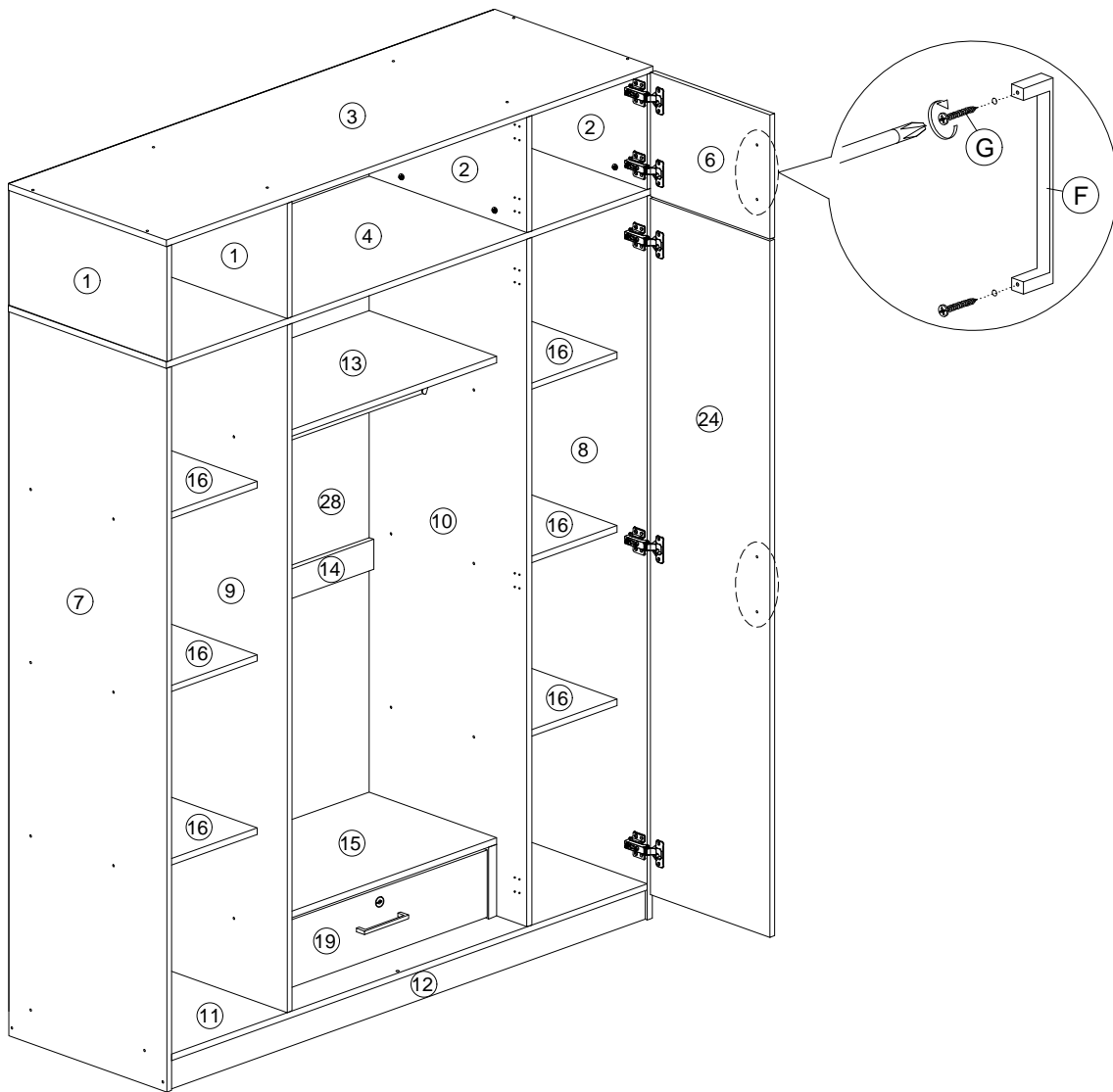


Assembly Instruction

Step 32

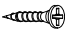
F		Handle KT1010.128 Black	2Pcs
---	---	-------------------------	------


G		M4x28mm Screw	4Pcs
---	---	---------------	------

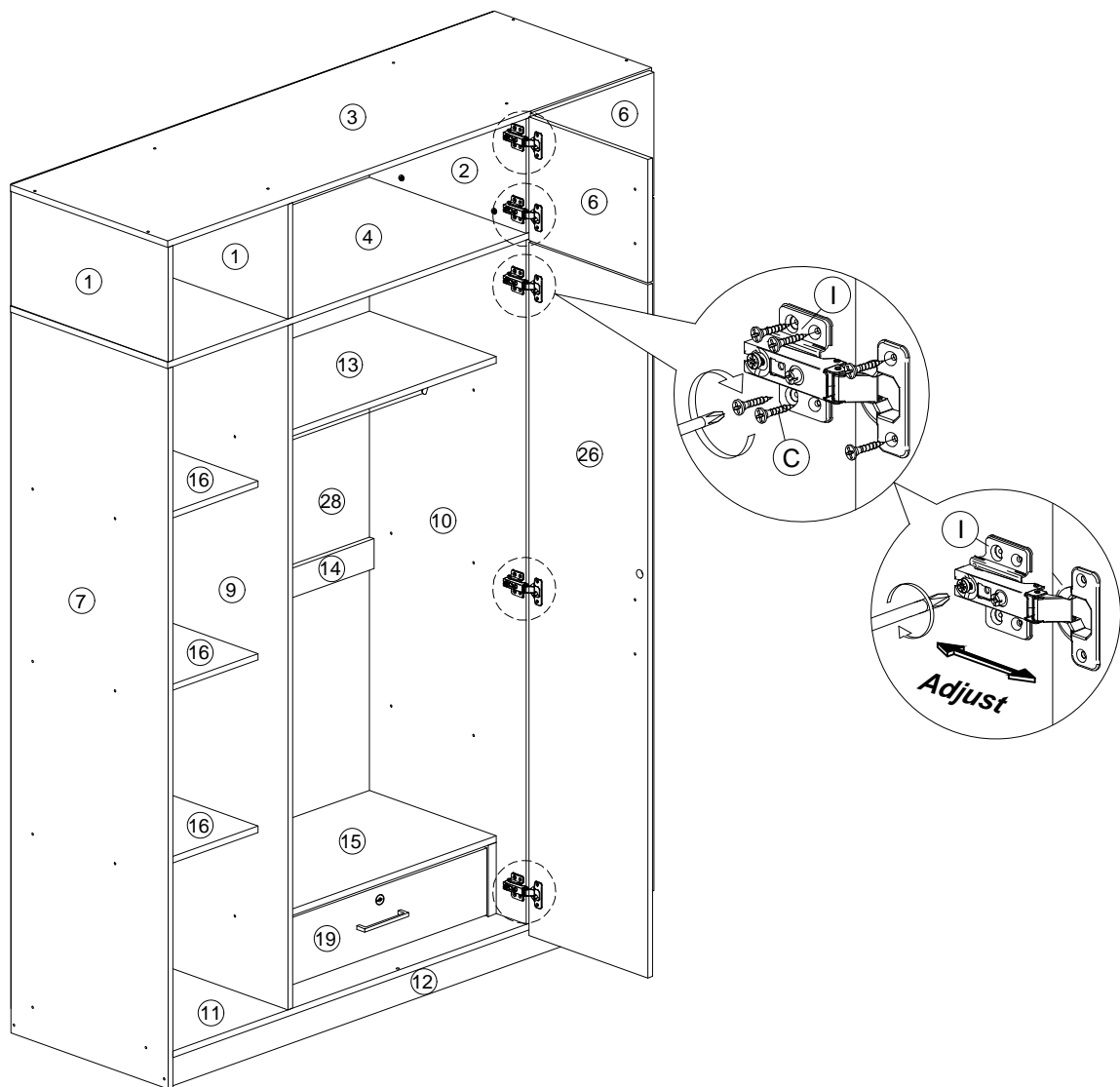


Assembly Instruction

Step 33

C		M3.5x16mm Screw	30Pcs
---	---	-----------------	-------


I		Hinges 2/8	5Pcs
---	---	------------	------

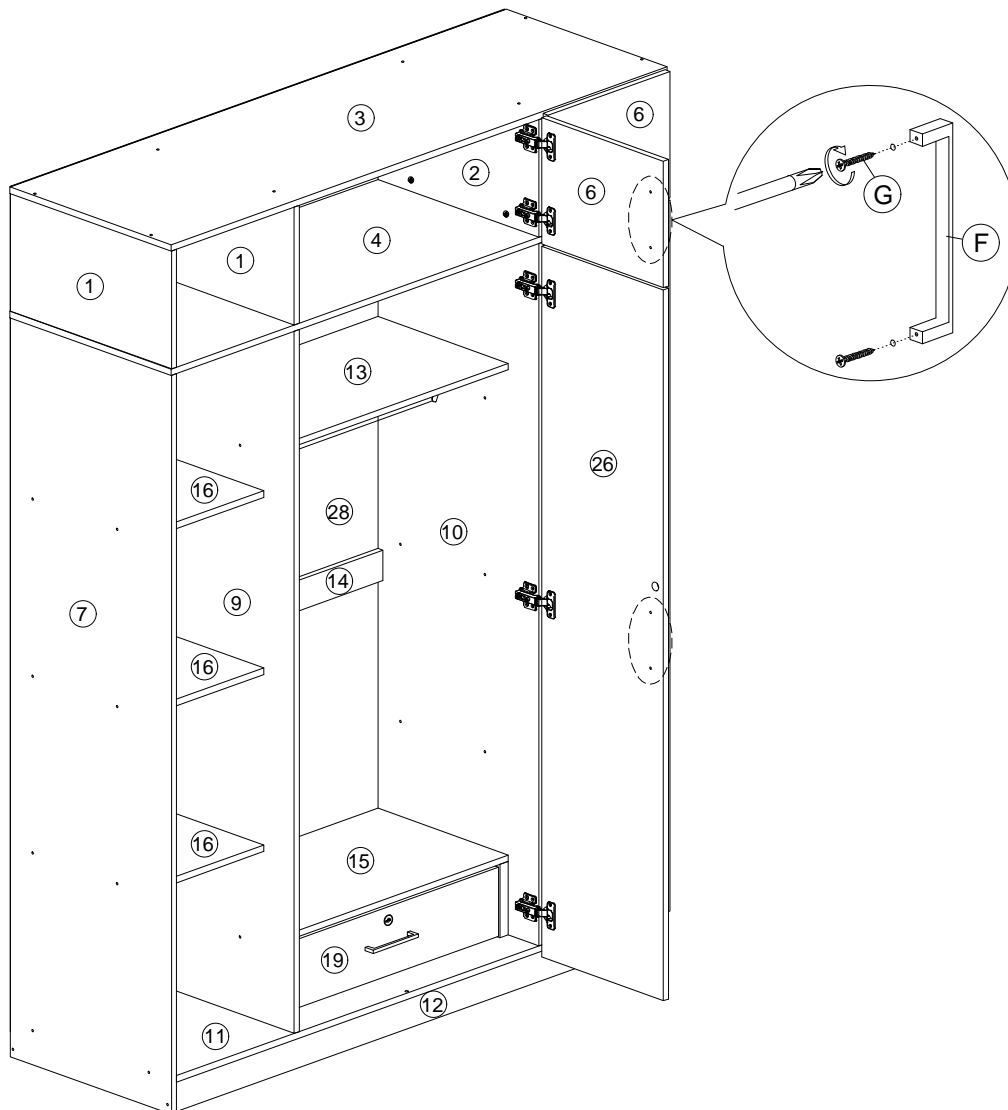


Assembly Instruction

Step 34

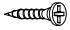
F		Handle KT1010.128 Black	2Pcs
---	---	-------------------------	------


G		M4x28mm Screw	4Pcs
---	---	---------------	------

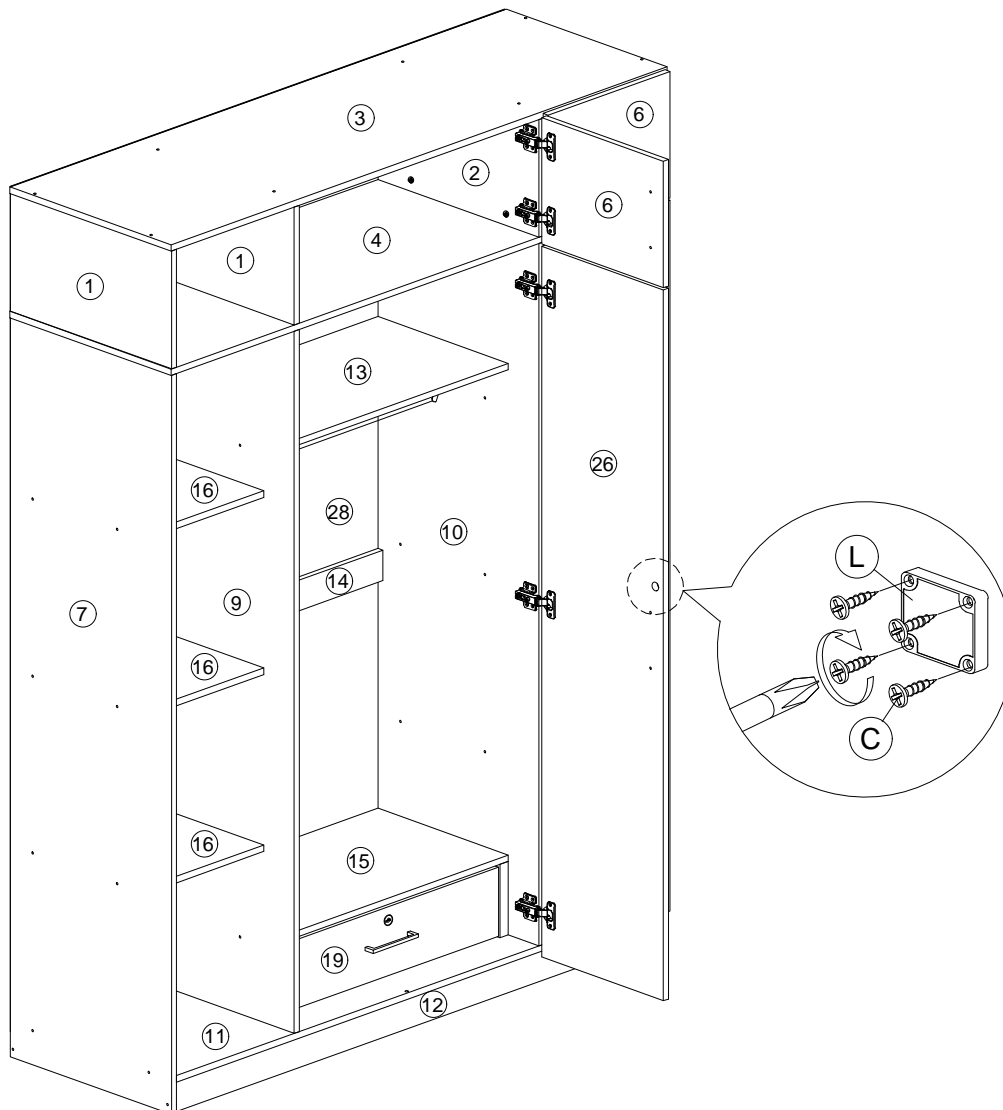


Assembly Instruction

Step 35


C		M3.5x16mm Screw	4Pcs
---	---	-----------------	------

L		Drawer Lock	1Pc
---	---	-------------	-----

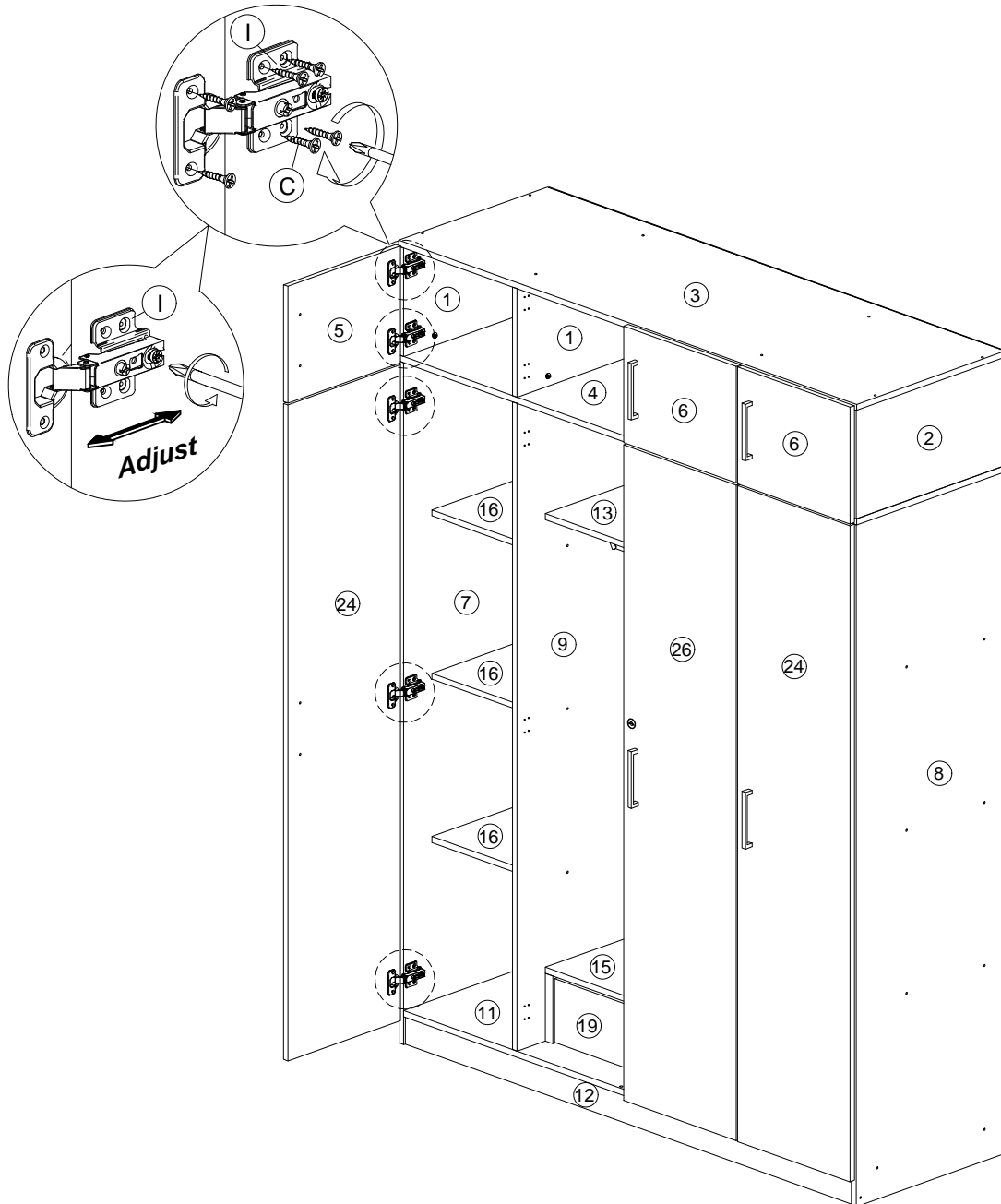


Assembly Instruction

Step 36

C		M3.5x16mm Screw	30Pcs
---	---	-----------------	-------


I		Hinges 2/8	5Pcs
---	---	------------	------

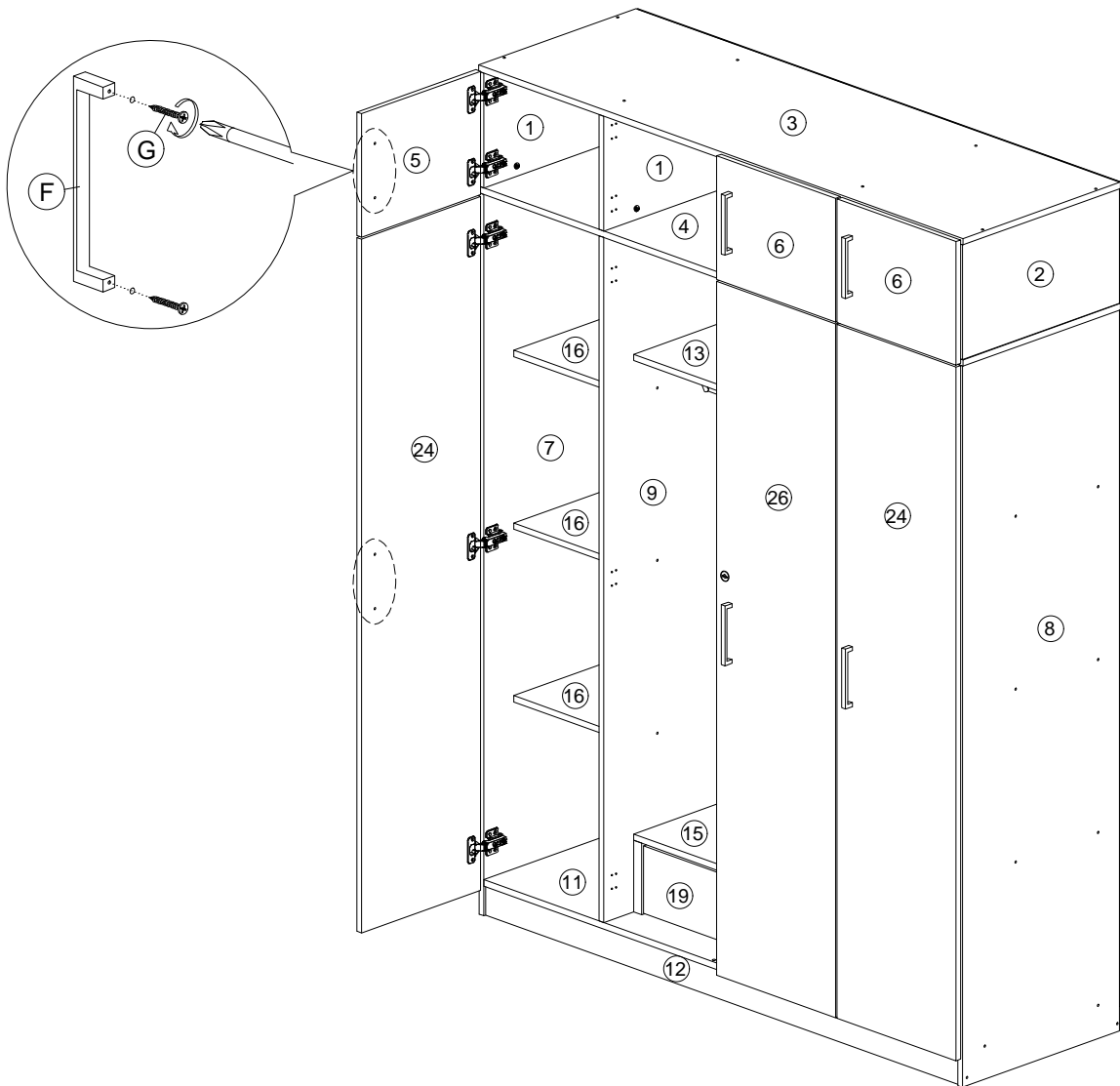


Assembly Instruction

Step 37


F		Handle KT1010.128 Black	2Pcs
---	---	-------------------------	------


G		M4x28mm Screw	4Pcs
---	---	---------------	------

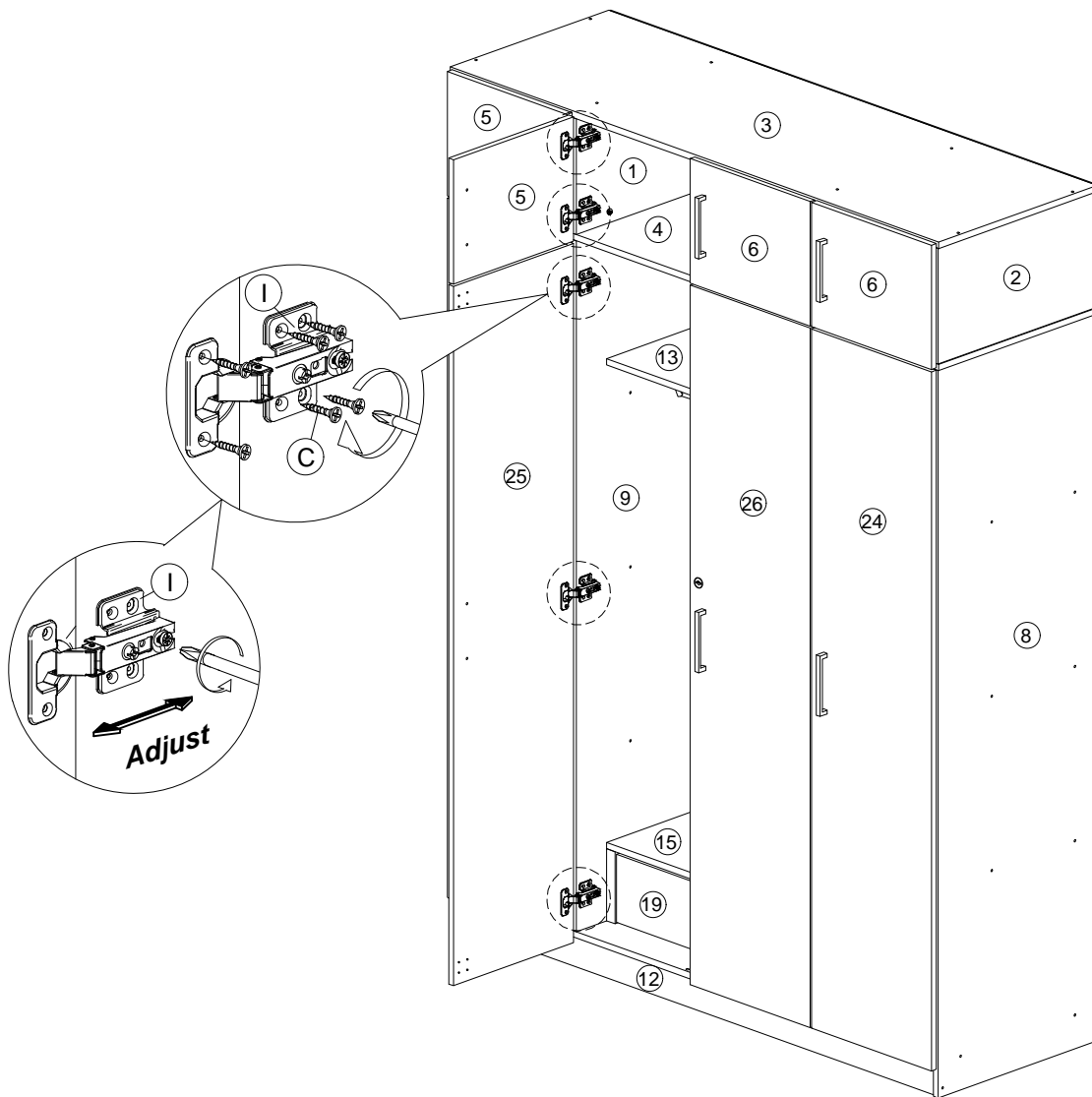


Assembly Instruction

Step 38

C		M3.5x16mm Screw	30Pcs
---	---	-----------------	-------


I		Hinges 2/8	5Pcs
---	---	------------	------

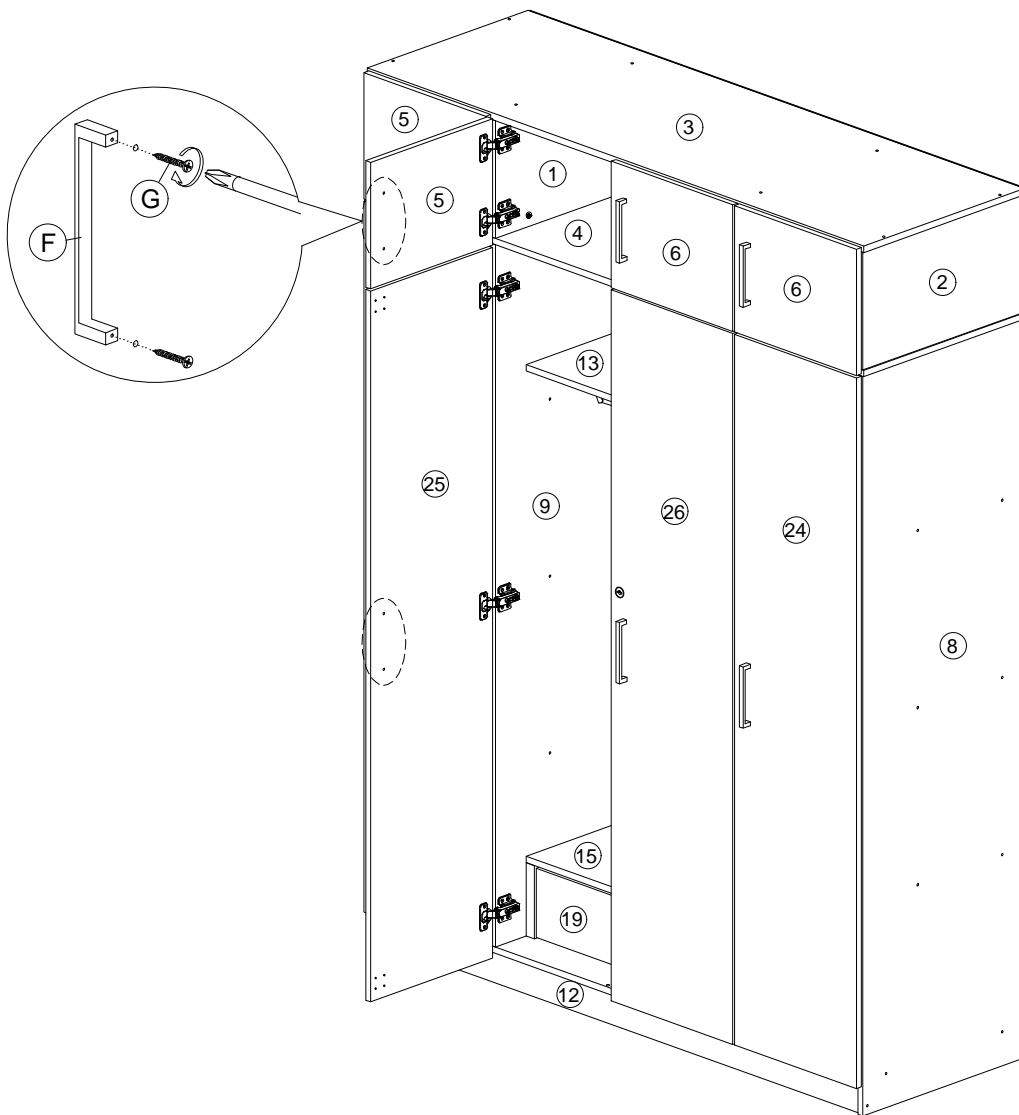


Assembly Instruction

Step 39

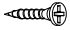
F		Handle KT1010.128 Black	2Pcs
---	---	-------------------------	------

G		M4x28mm Screw	4Pcs
---	---	---------------	------

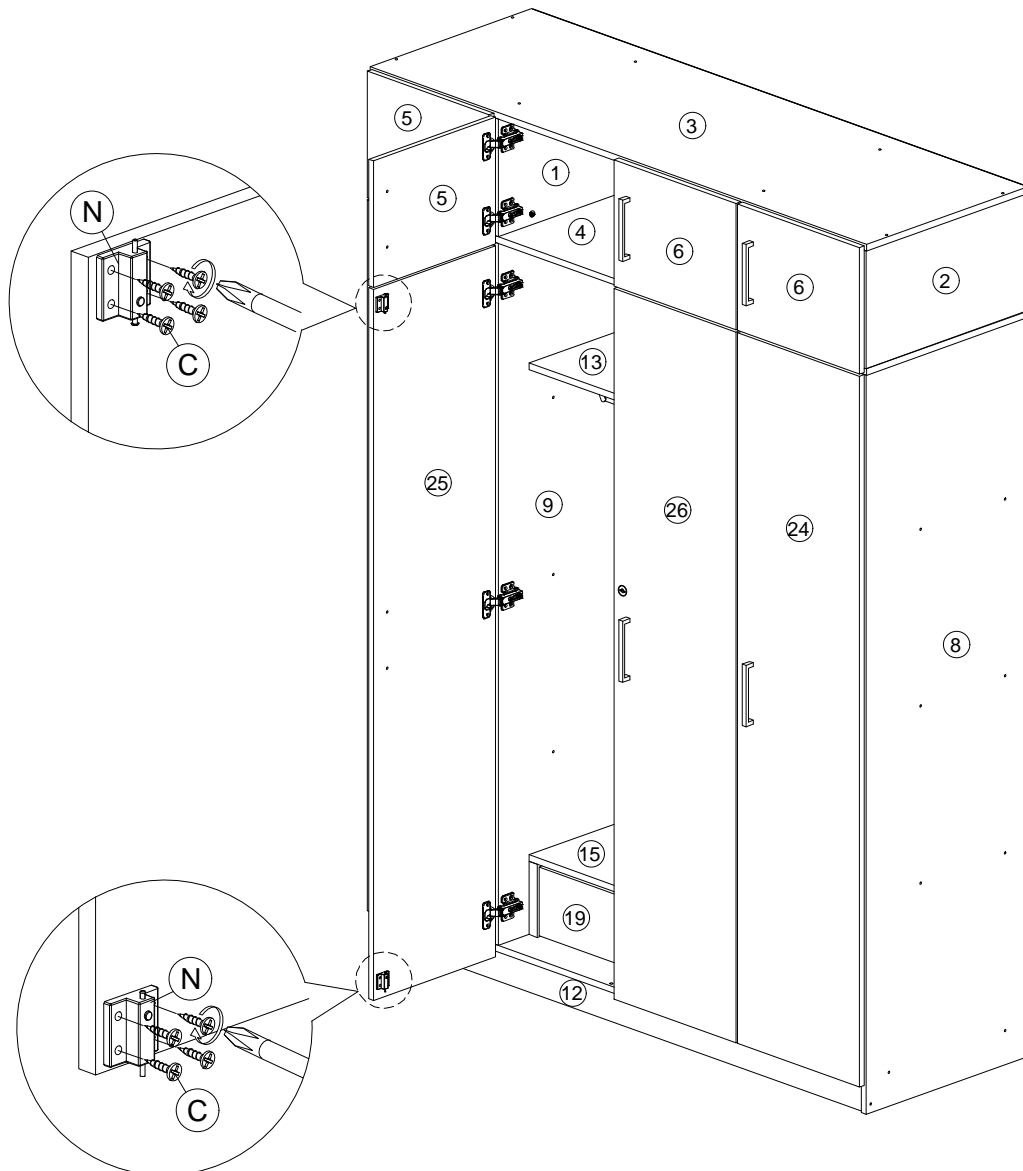


Assembly Instruction

Step 40

C		M3.5x16mm Screw	8Pcs
---	---	-----------------	------

N		Furniture Bolt	2Pcs
---	---	----------------	------



FITTING OF ANTI-TIP SAFETY STRAP

STEP 1:

- Attach the mounting bracket (a) to the furniture in the solid part below the top panel a few inches away from the side of the unit.
- Screw (b) through the smallest hole of (a).

STEP 2:

- Locate a stud in behind the have to
- Place the other mounting bracket (a) on the wall stud 2 inches below the mounting bracket secured to the back of your unit.
- Attach to the wall stud using (c) through the smaller hole of (a).

STEP 3:

- Repeat the same step a few inches away from the other side of the unit.
- Place the furniture into position so both mounting brackets are vertically in line.
- Lace the end of the restraint strap through the larger holes in each mounting bracket.
- Secure the straps and lock into place.

