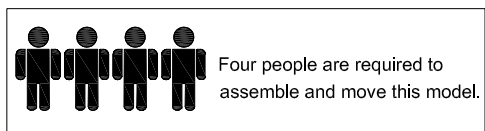
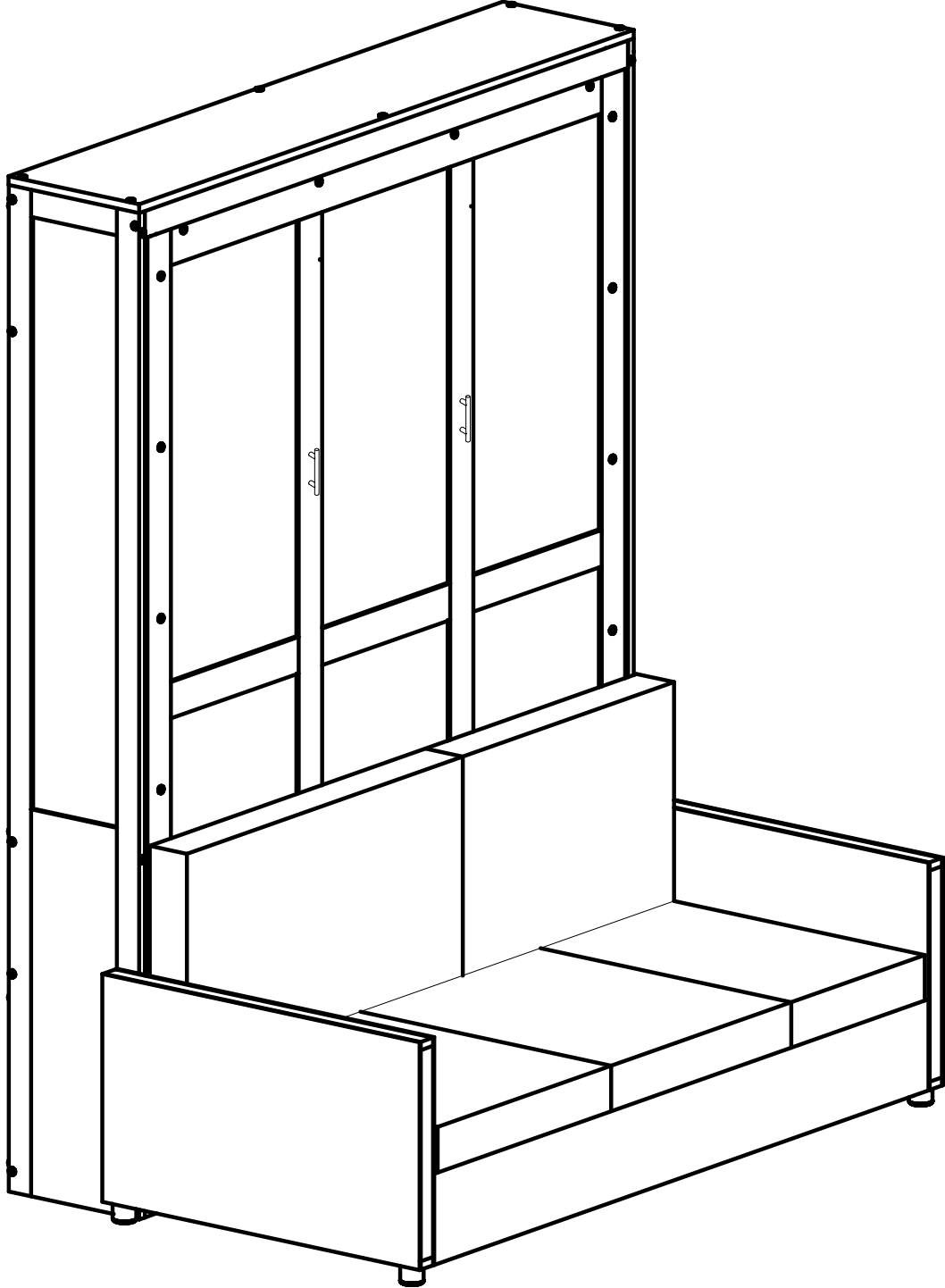


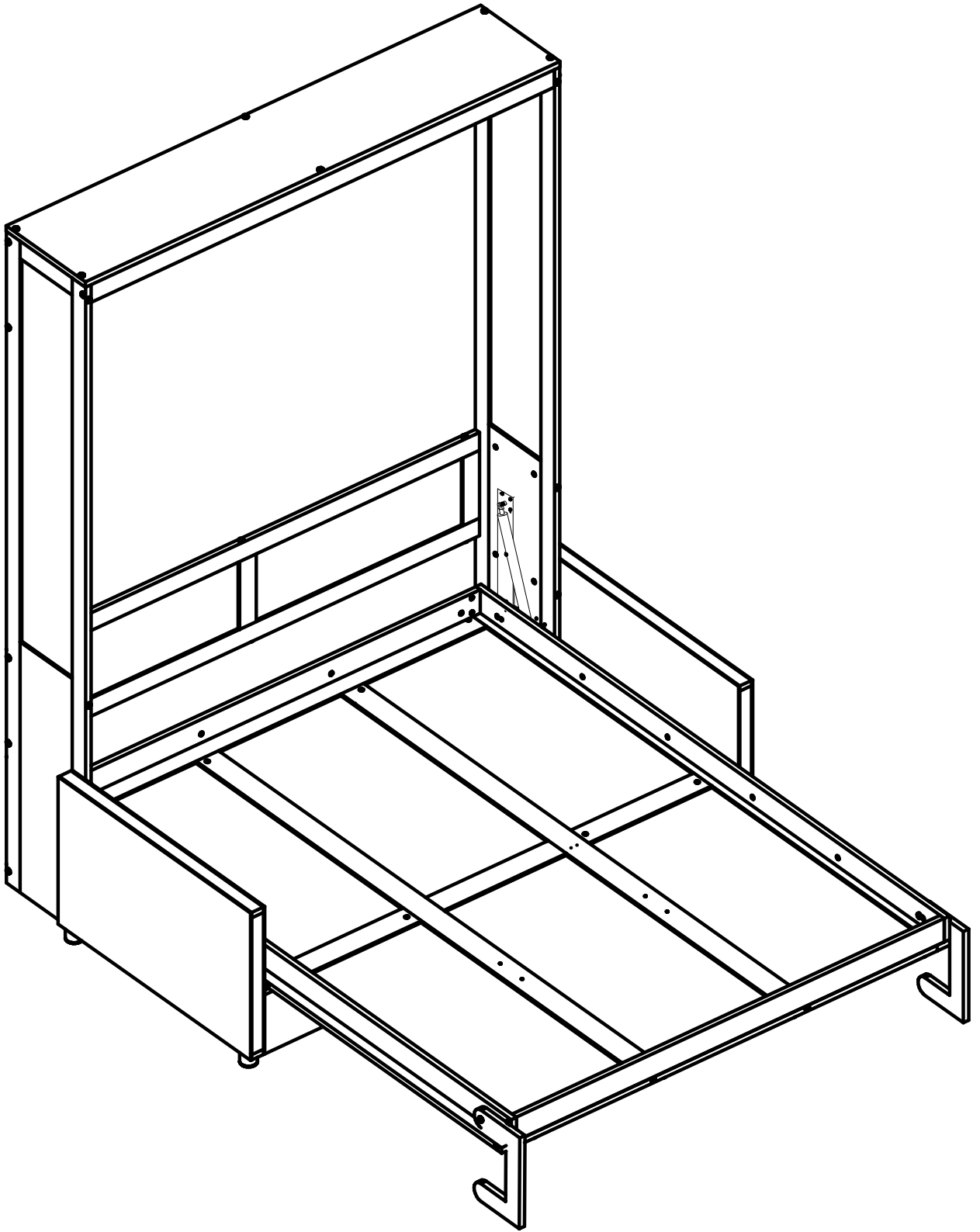
# ASSEMBLY INSTRUCTION

SKU CODE: (WF323862/WF323863/WF323864)

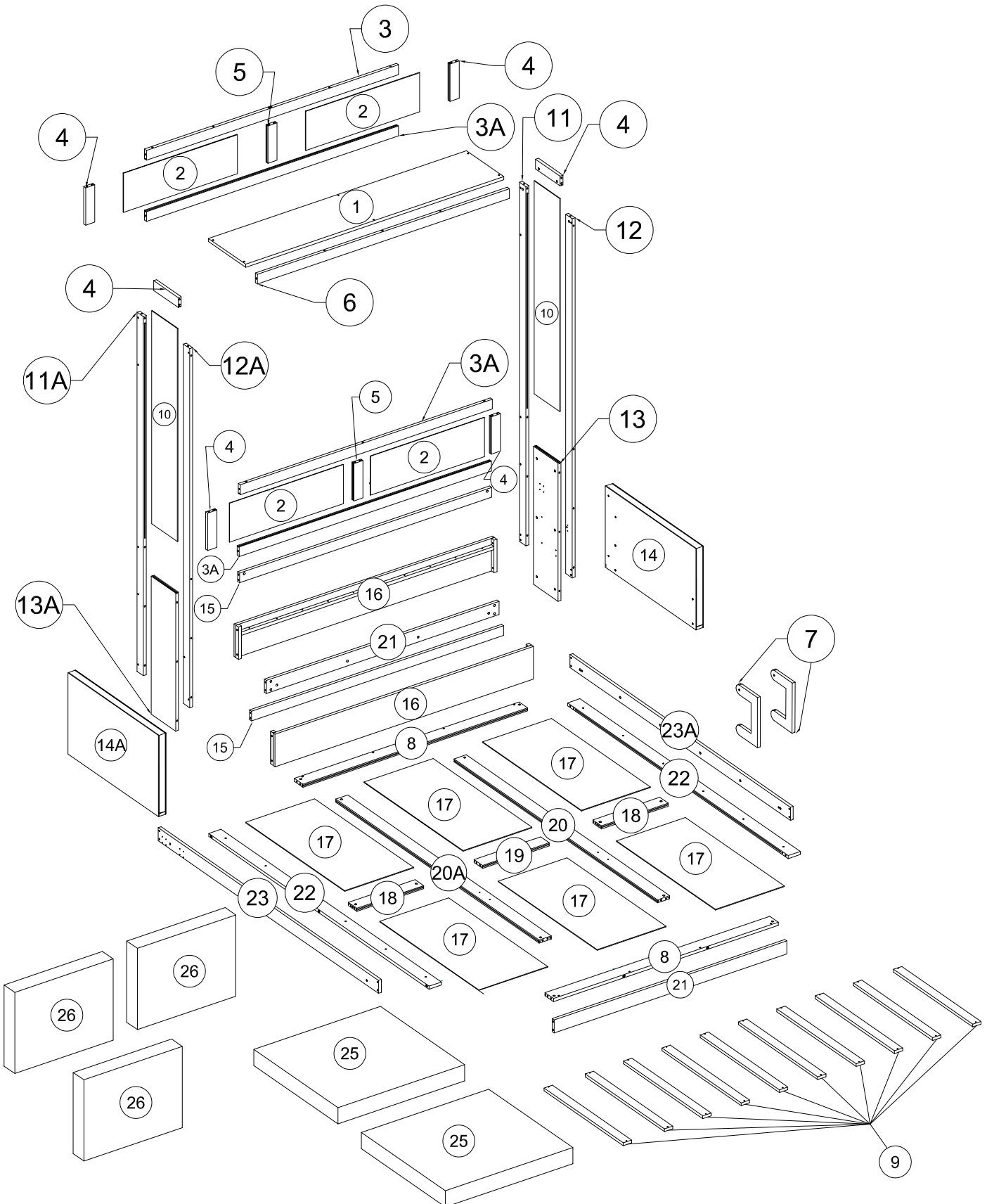


# ASSEMBLY INSTRUCTION

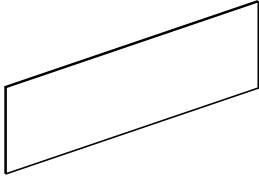
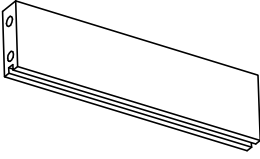
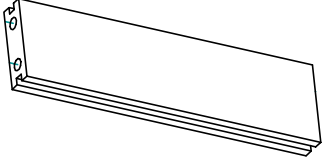
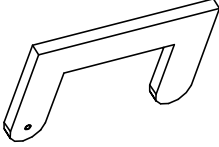


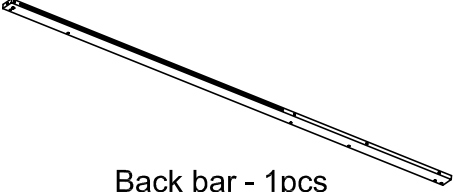
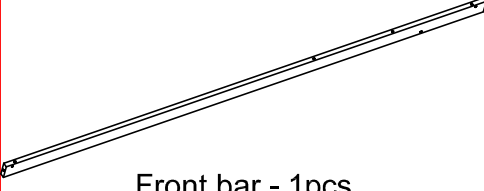
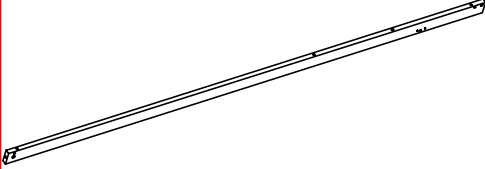
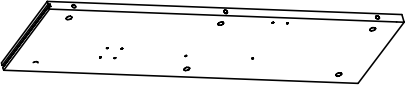
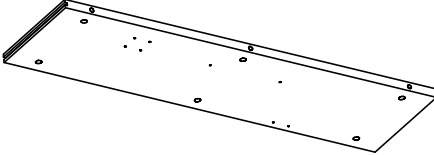
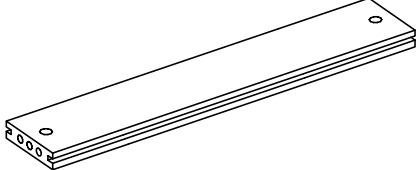
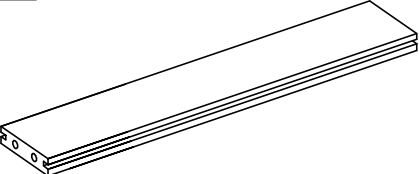



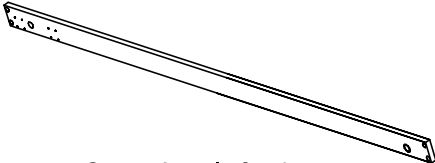
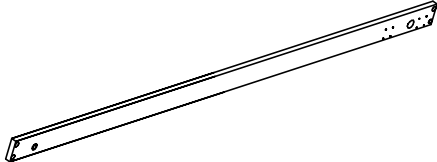
SKU CODE: (WF323862/WF323863/WF323864)



# ASSEMBLY INSTRUCTION

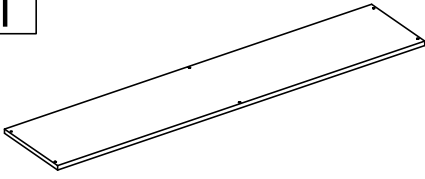


# Part List (WF323862)

<p><b>2</b></p>  <p>Panel - 4pcs</p>	<p><b>4</b></p>  <p>Short bar - 6pcs</p>	<p><b>5</b></p>  <p>Short bar - 2pcs</p>
<p><b>7</b></p>  <p>Legs - 2pcs</p>	<p><b>10</b></p>  <p>Panels - 2pcs</p>	<p><b>11A</b></p>  <p>Back bar - 1pcs</p>
<p><b>11</b></p>  <p>Back bar - 1pcs</p>	<p><b>12A</b></p>  <p>Front bar - 1pcs</p>	<p><b>12</b></p>  <p>Front bar - 1pcs</p>
<p><b>13</b></p>  <p>Side panels right - 1pcs</p>	<p><b>13A</b></p>  <p>Side panels left - 1pcs</p>	<p><b>18</b></p>  <p>Short bar - 2pcs</p>
<p><b>19</b></p>  <p>Short bar - 1pcs</p>	<p><b>20</b></p>  <p>Vertical bar - 1pcs</p>	<p><b>20A</b></p>  <p>Vertical bar - 1pcs</p>
<p><b>22</b></p>  <p>Crossbar sofa - 2pcs</p>	<p><b>23</b></p>  <p>Crossbar left- 1pcs</p>	<p><b>23A</b></p>  <p>Crossbar right - 1pcs</p>

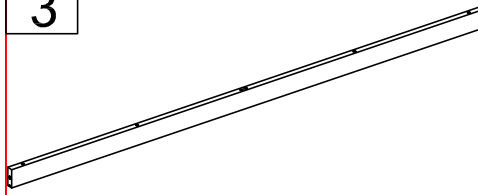
# Part List (WF323863)

1



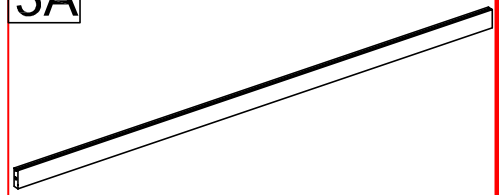
Panel top - 1pcs

3



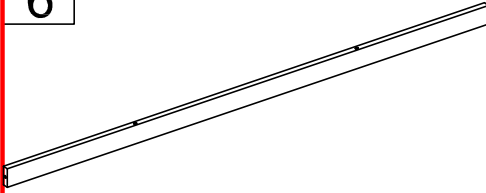
Crossbar - 1pcs

3A



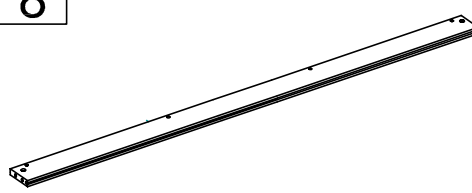
Crossbar - 3pcs

6



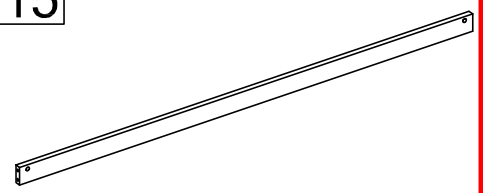
Side panels left - 1pcs

8



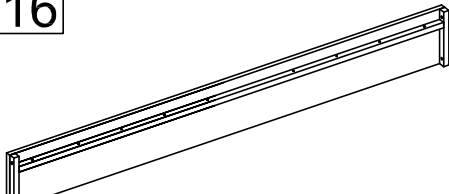
Crossbar sofa - 2pcs

15



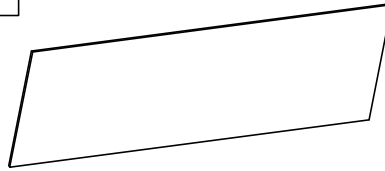
Crossbar - 2pcs

16



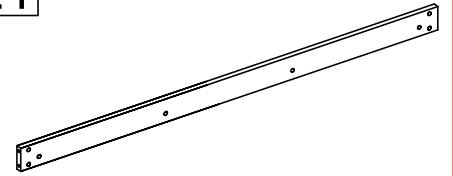
Side panels - 2pcs

17



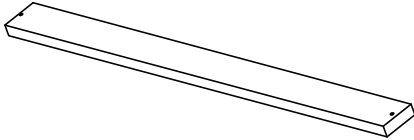
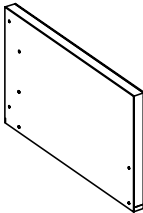
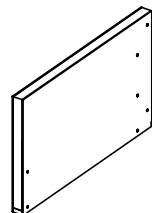
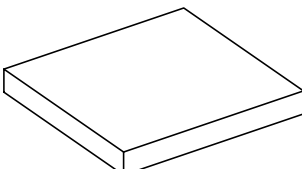
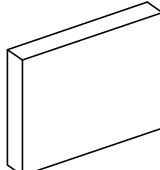
Panels - 6pcs

21


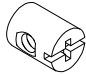

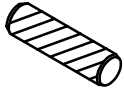
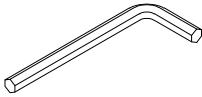


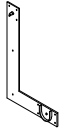
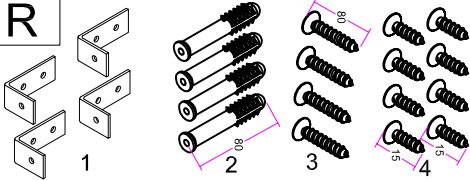

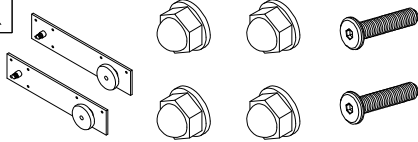
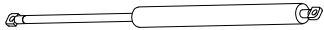

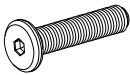
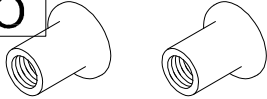
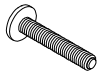



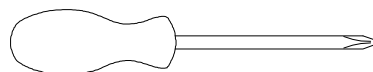
Crossbar sofa - 2pcs

# Part List (WF323864)

<p>9</p>  <p>Slats - 9pcs</p>	<p>14</p>  <p>Right arm - 1pcs</p>	<p>14A</p>  <p>Left arm - 1pcs</p>
	<p>25</p>  <p>Seat cushions - 3pcs</p>	<p>26</p>  <p>Seat cushions - 2pcs</p>

# Hardware List (WF323862)

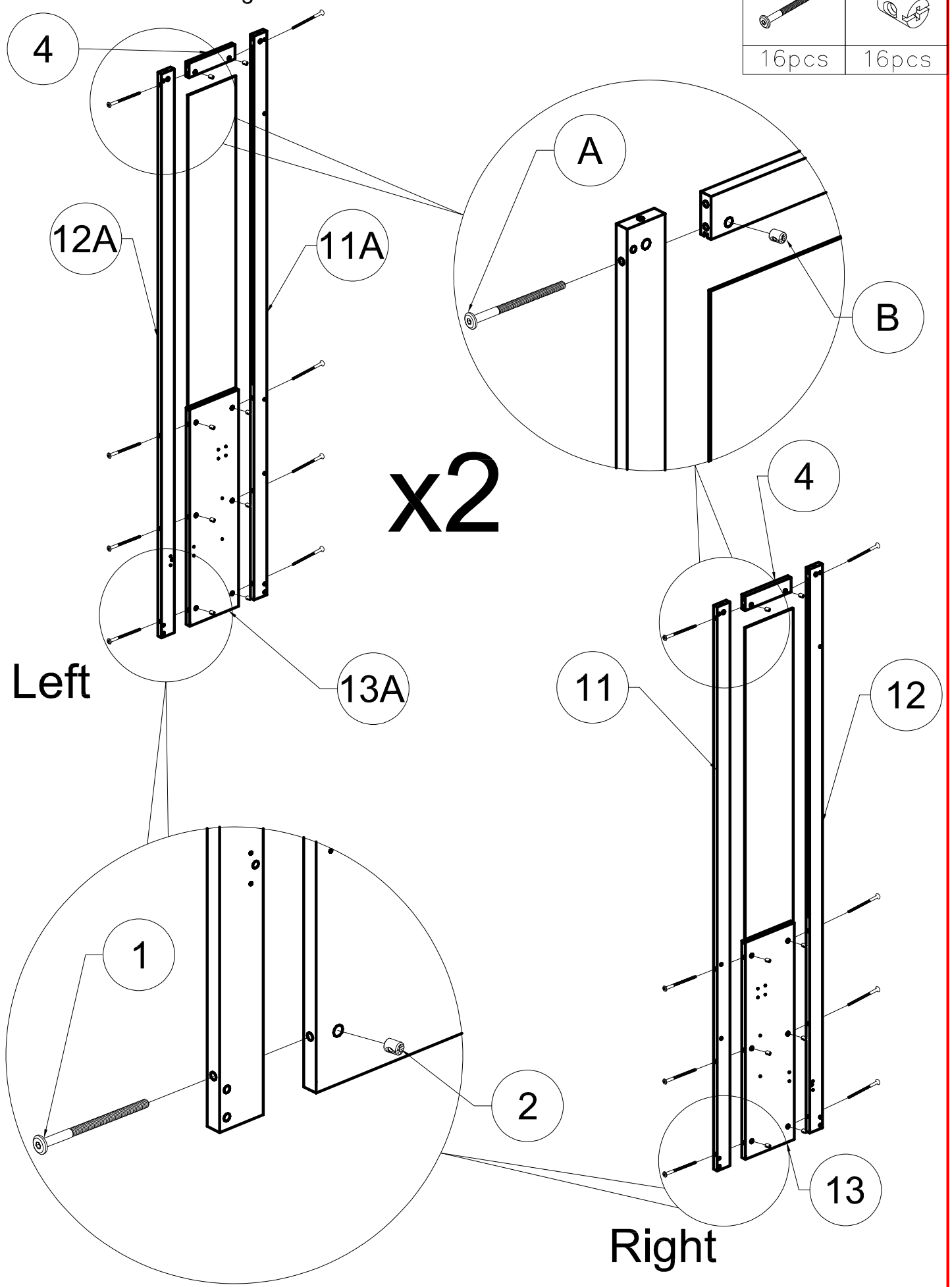
<p><b>A</b></p>  <p>1/4" x 100mm Hex-Head bolts 40pcs</p>	<p><b>B</b></p>  <p>1/4" x 15mm Horizontal -Hole bolts 88pcs</p>	<p><b>C</b></p>  <p>1/4" x 50mm Hex-Head bolts 62pcs</p>
<p><b>D</b></p>  <p>Ø8 x 30 mm Wood dowel 40pcs</p>	<p><b>E</b></p>  <p>Allen Key 2pcs</p>	<p><b>F</b></p>  <p>#4 x 20 mm Wood Screws 36pcs</p>
<p><b>G</b></p>  <p>Left L 1pcs</p>	<p><b>H</b></p>  <p>Right L 1pcs</p>	<p><b>R</b></p>  <p>Wall brackets 1set</p>
<p><b>J</b></p>  <p>#4 x 30 mm Wood Screws 18pcs</p>	<p><b>K</b></p>  <p>Steel 1set</p>	<p><b>L</b></p>  <p>Piston 700N 2pcs</p>
<p><b>M</b></p>  <p>Holder 2pcs</p>	<p><b>N</b></p>  <p>1/4" x 25mm Hex-Head bolts 2pcs</p>	<p><b>O</b></p>  <p>1/4" x 30mm Steeve Nut 2pcs</p>
<p><b>P</b></p>  <p>M4 x 25mm Hex-Head bolts 4pcs</p>	<p><b>Q</b></p>  <p>Plastic Feet(Ø50x40) 4pcs</p>	



Assembly Tools Required (Not Included)

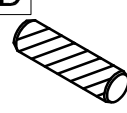

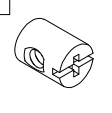
# STEP 1: Following below illustration:

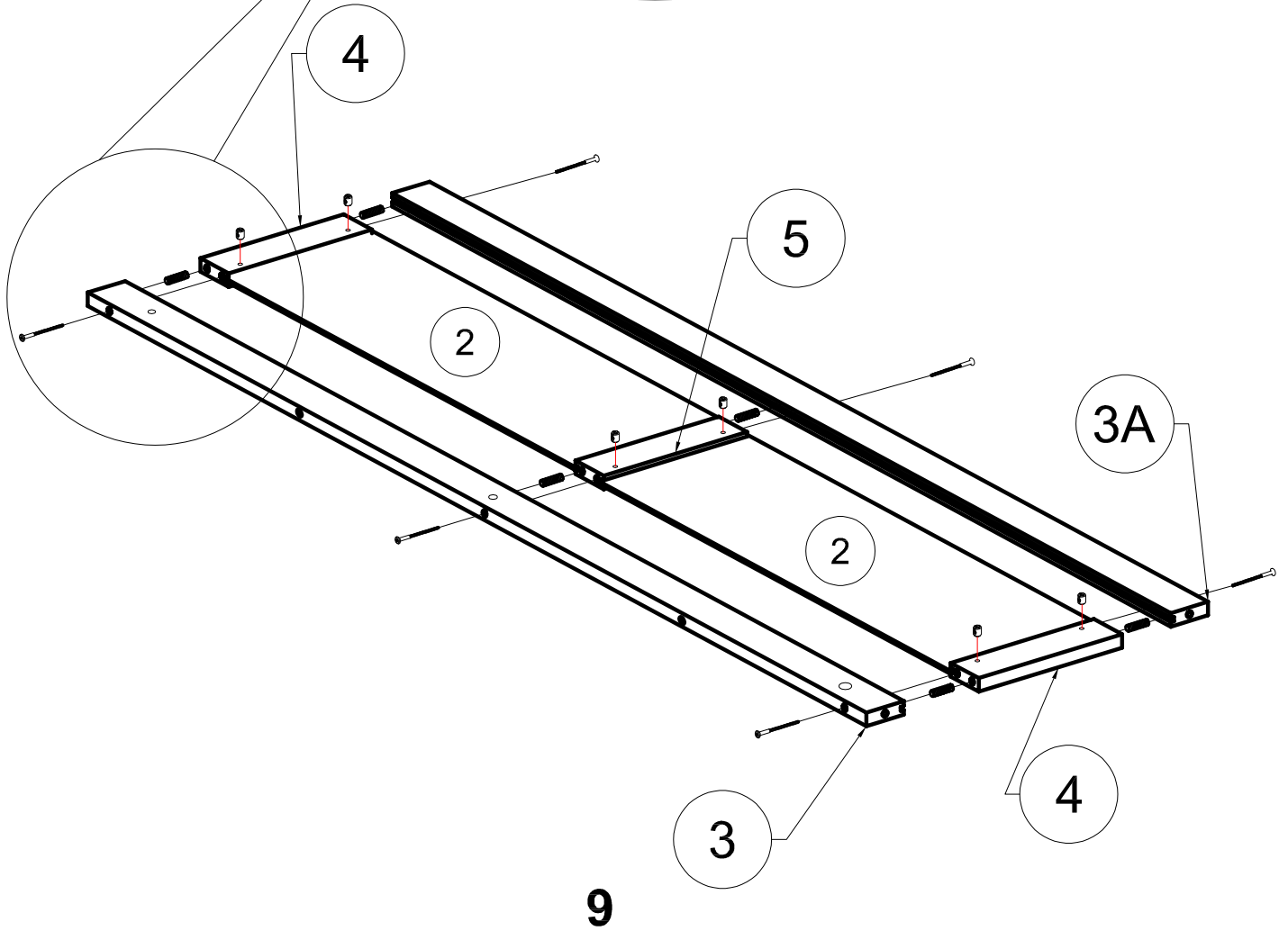
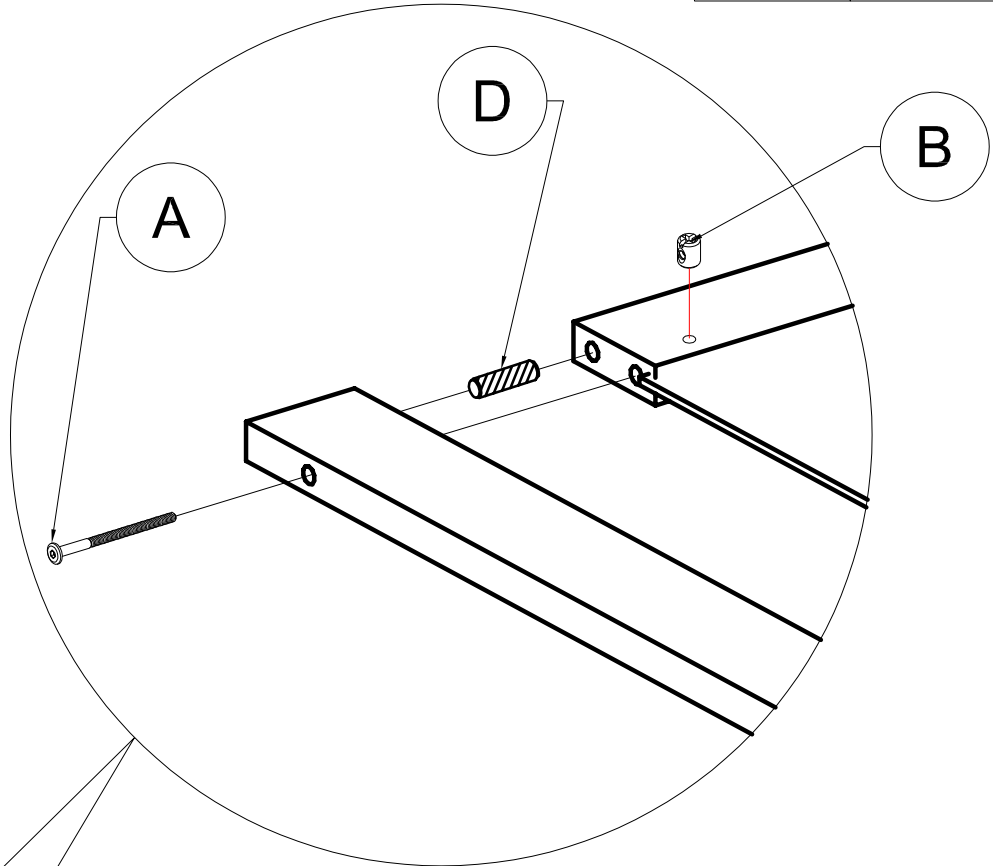
A	B
16pcs	16pcs



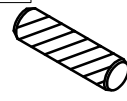
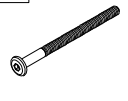
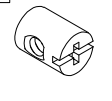


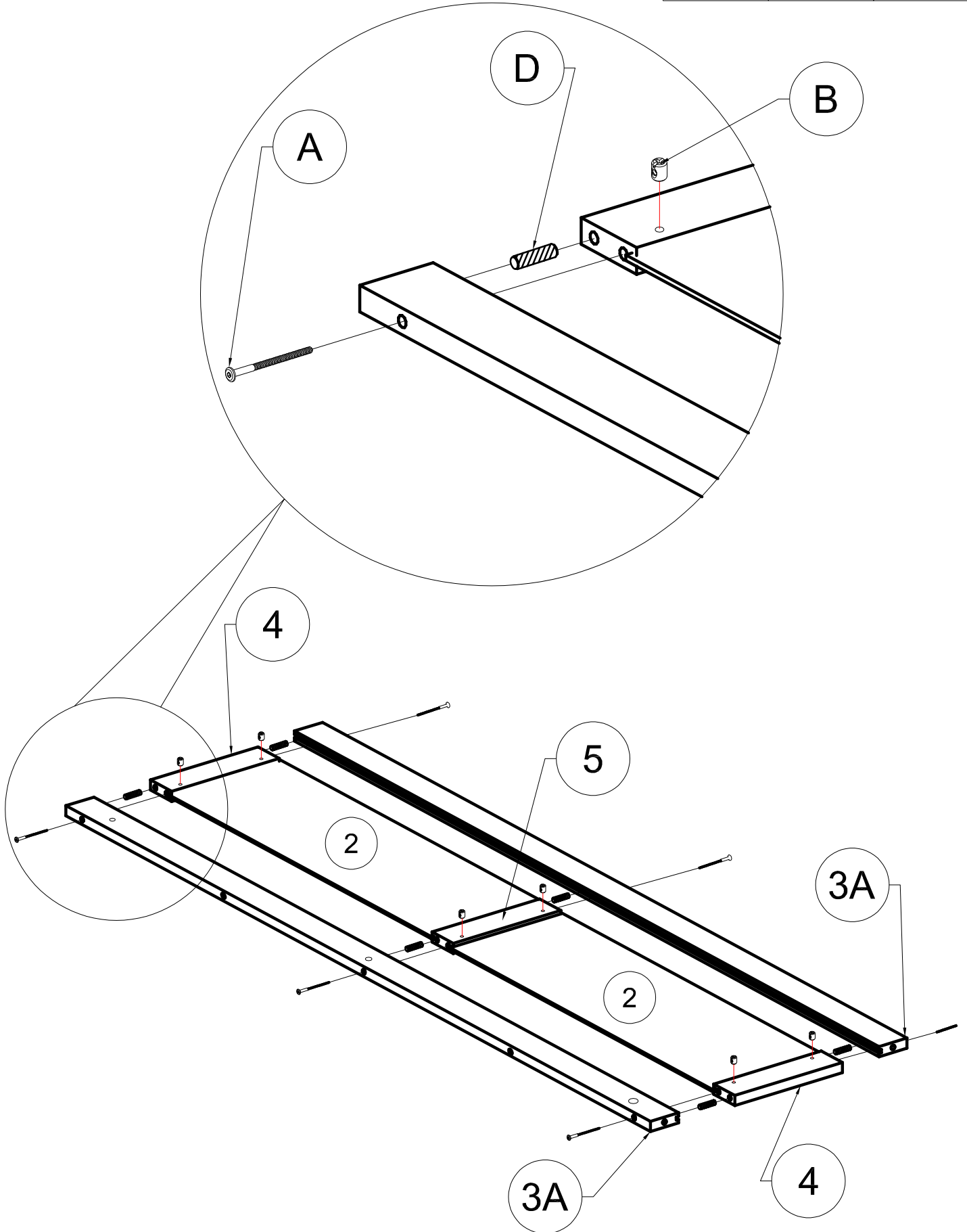
# STEP 2: Following below illustration:

D	A	B
		
6pcs	6pcs	6pcs

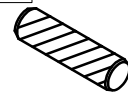
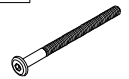
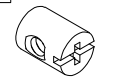


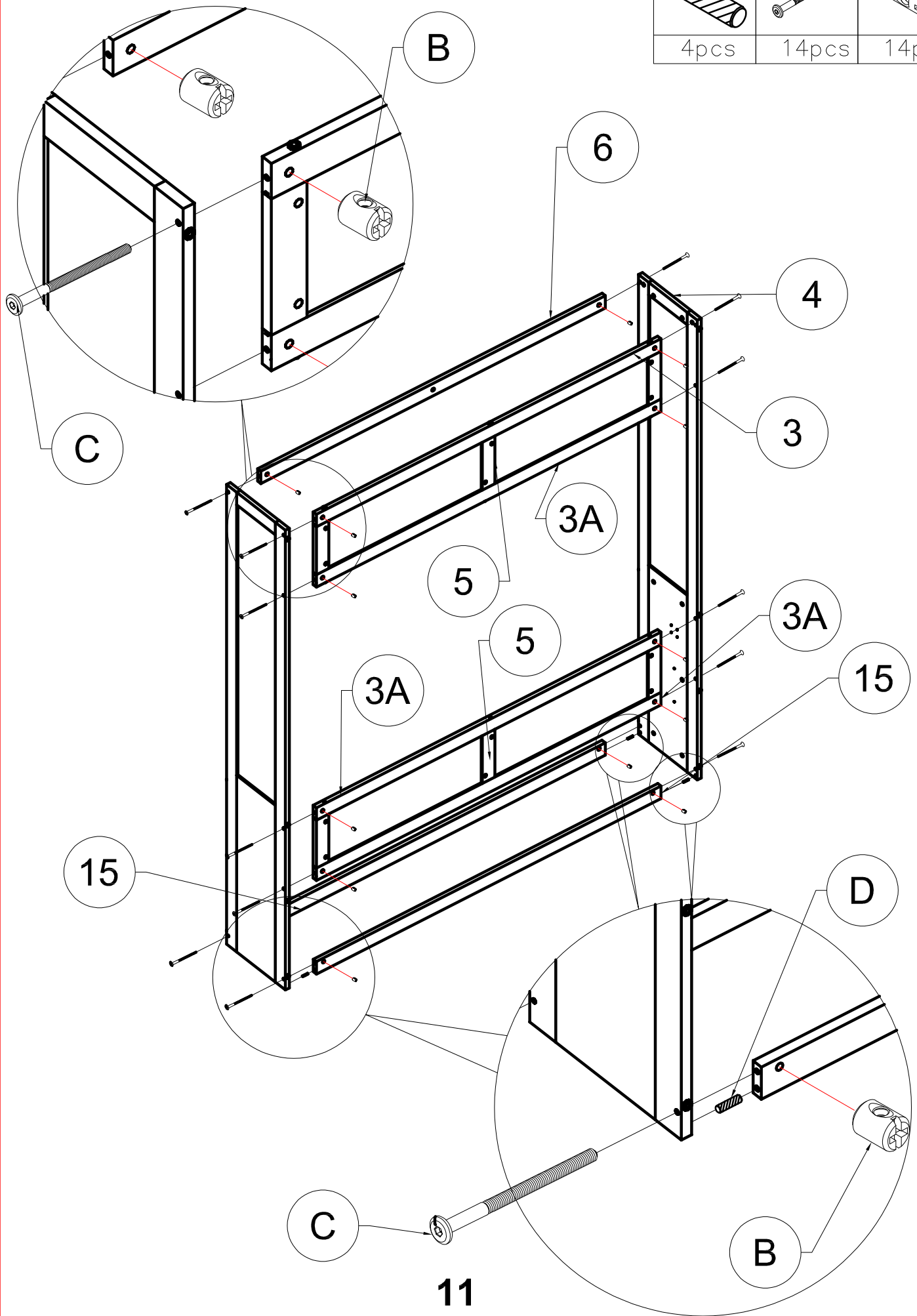
# STEP 3: Following below illustration:

D	A	B
		
6pcs	6pcs	6pcs

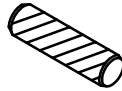
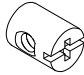



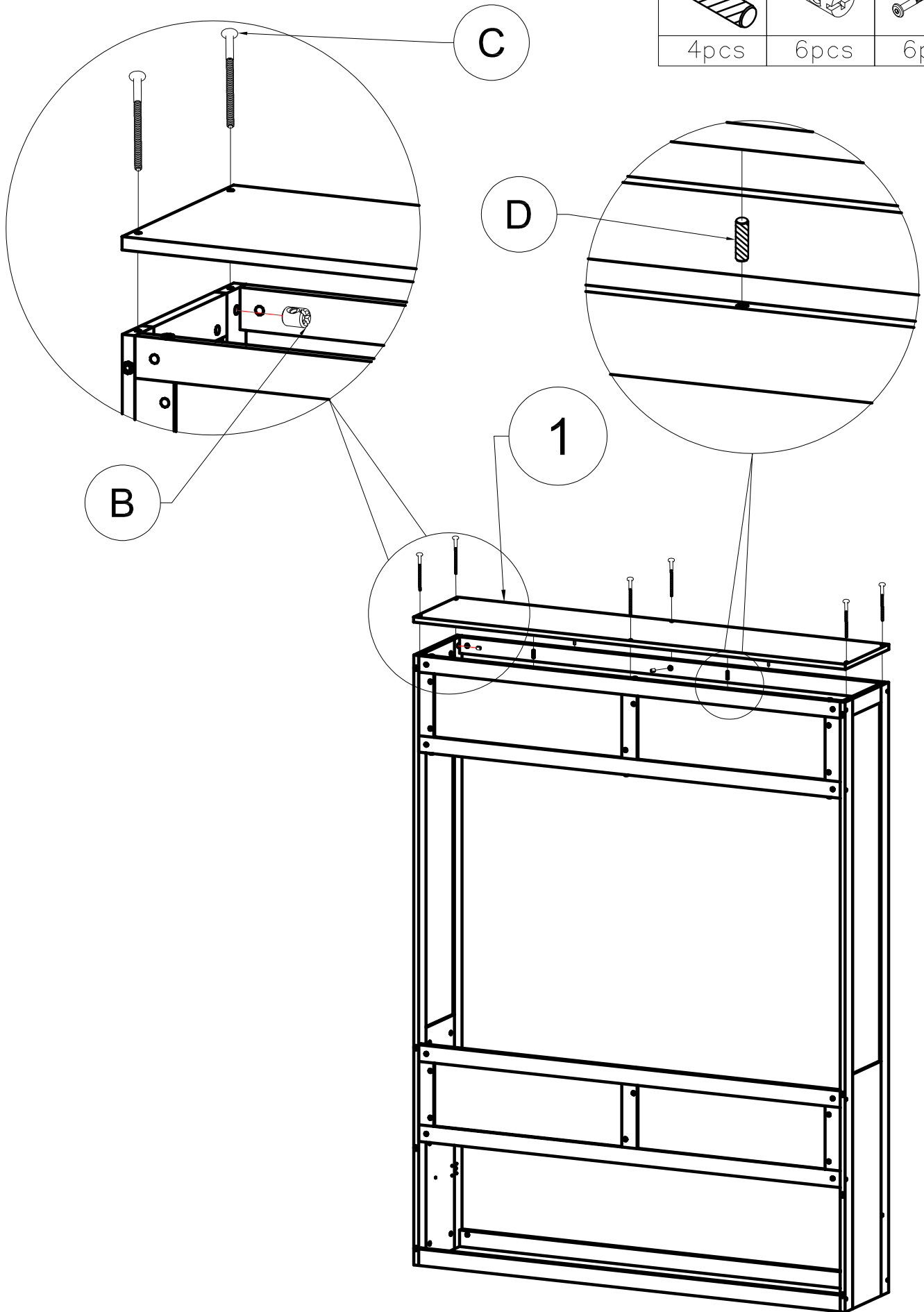
# STEP 4: Following below illustration:

D	C	B
		
4pcs	14pcs	14pcs

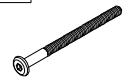
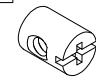
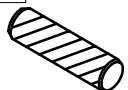


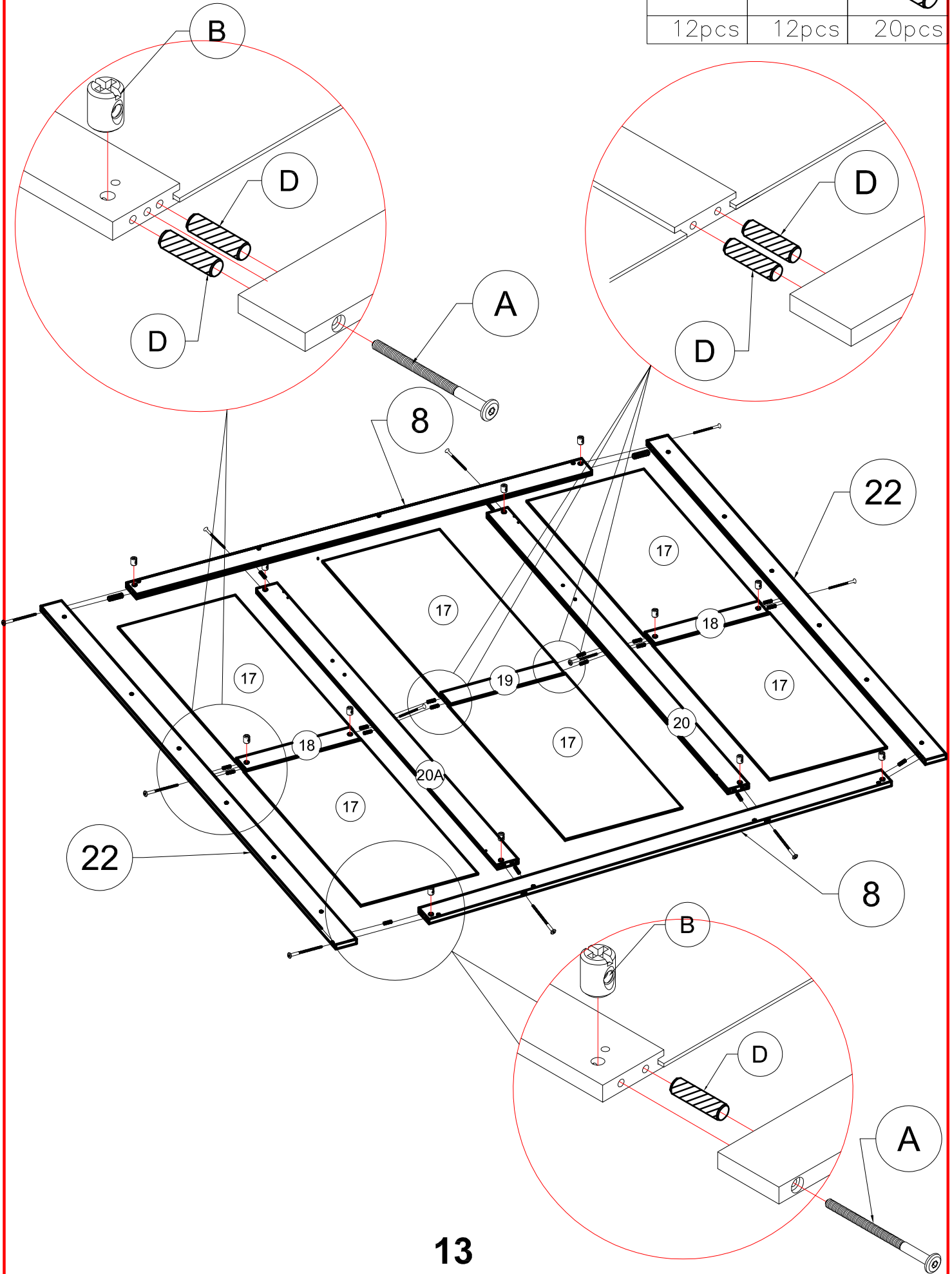
# STEP 5: Following below illustration:

D	B	C
		
4pcs	6pcs	6pcs


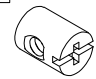


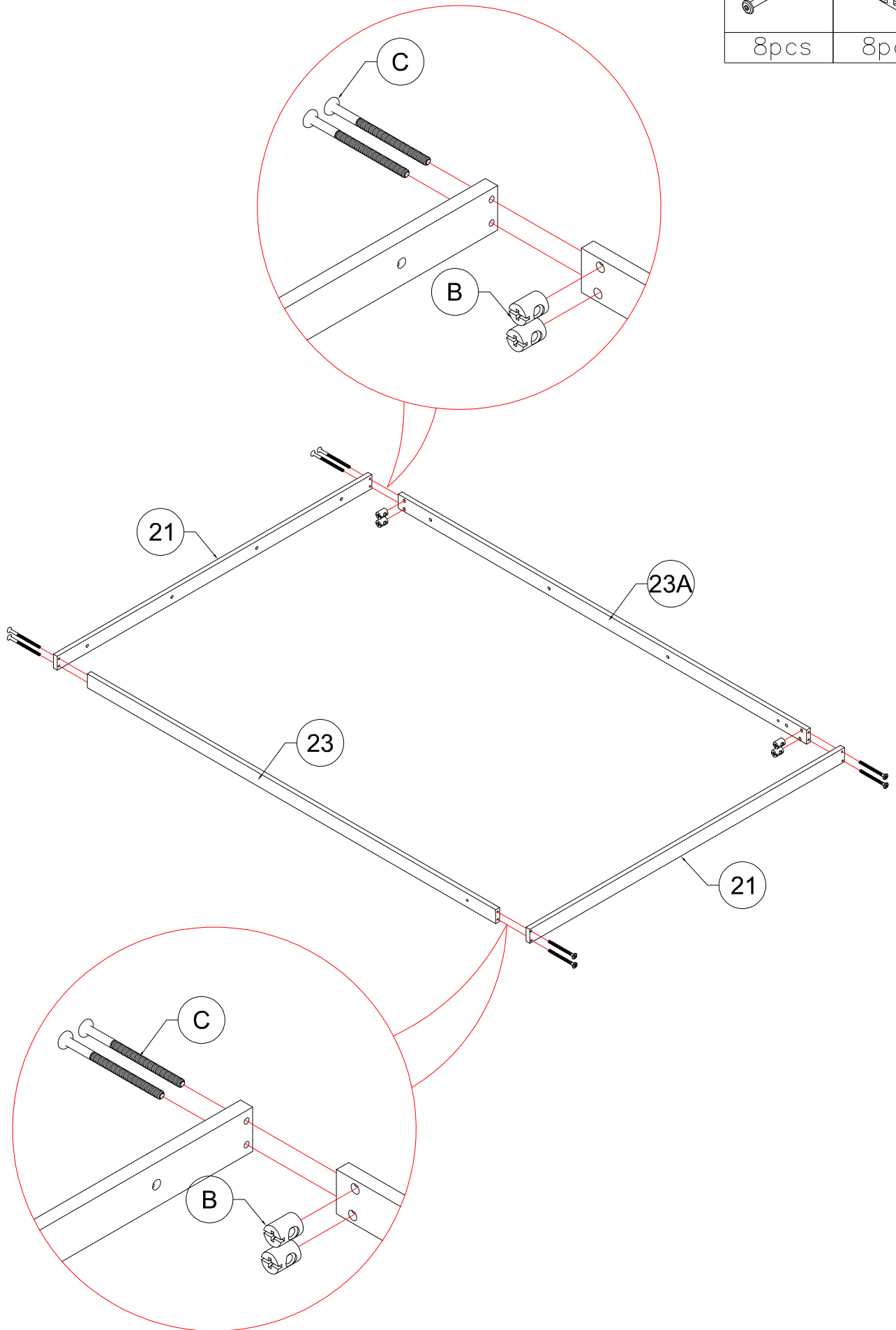
# STEP 6: Following below illustration:

<b>A</b> 	<b>B</b> 	<b>D</b> 
12pcs	12pcs	20pcs

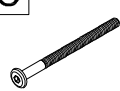
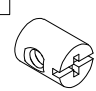


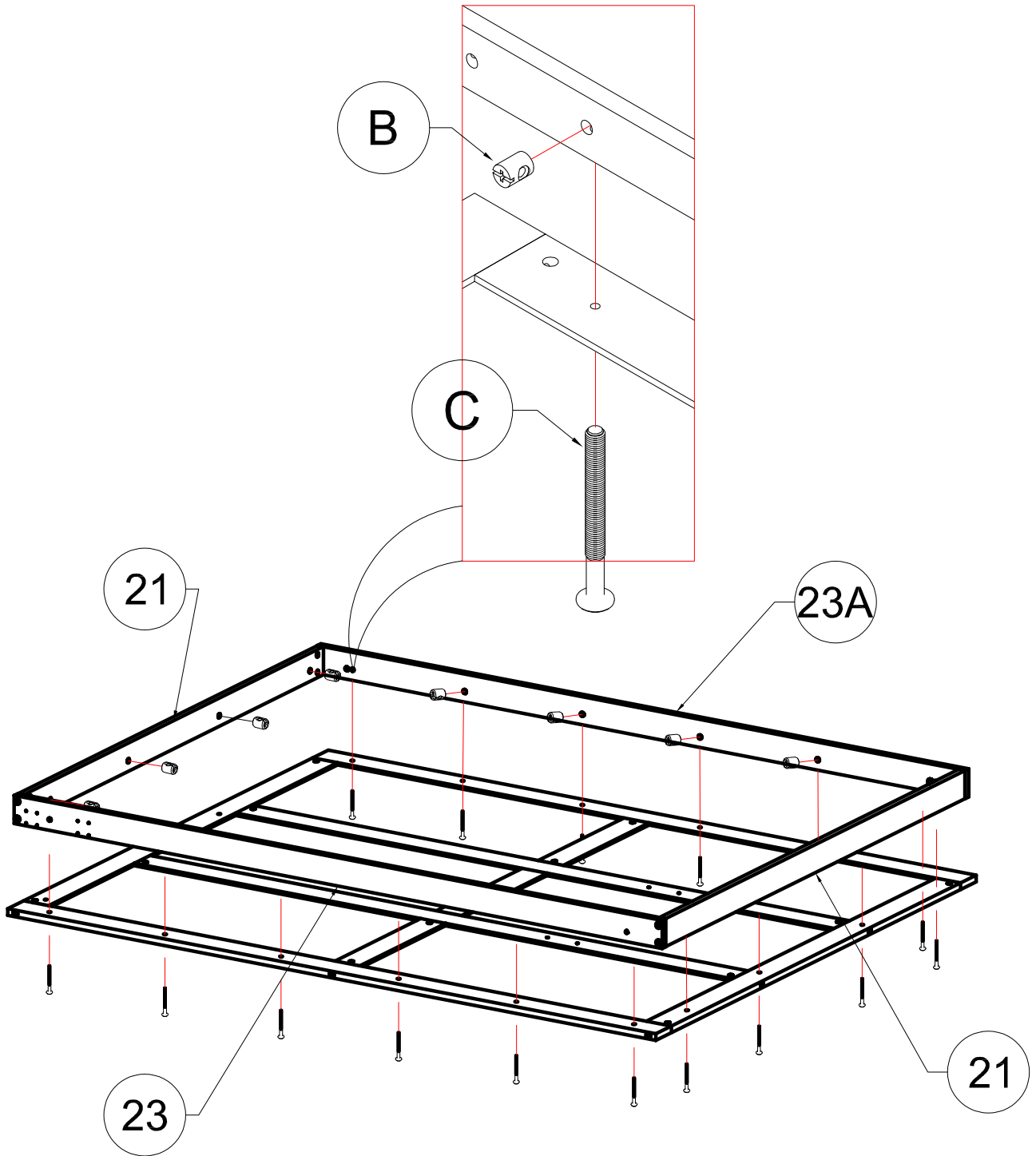
# STEP 7: Following below illustration:

<b>C</b> 	<b>B</b> 
8pcs	8pcs


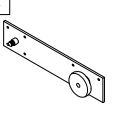


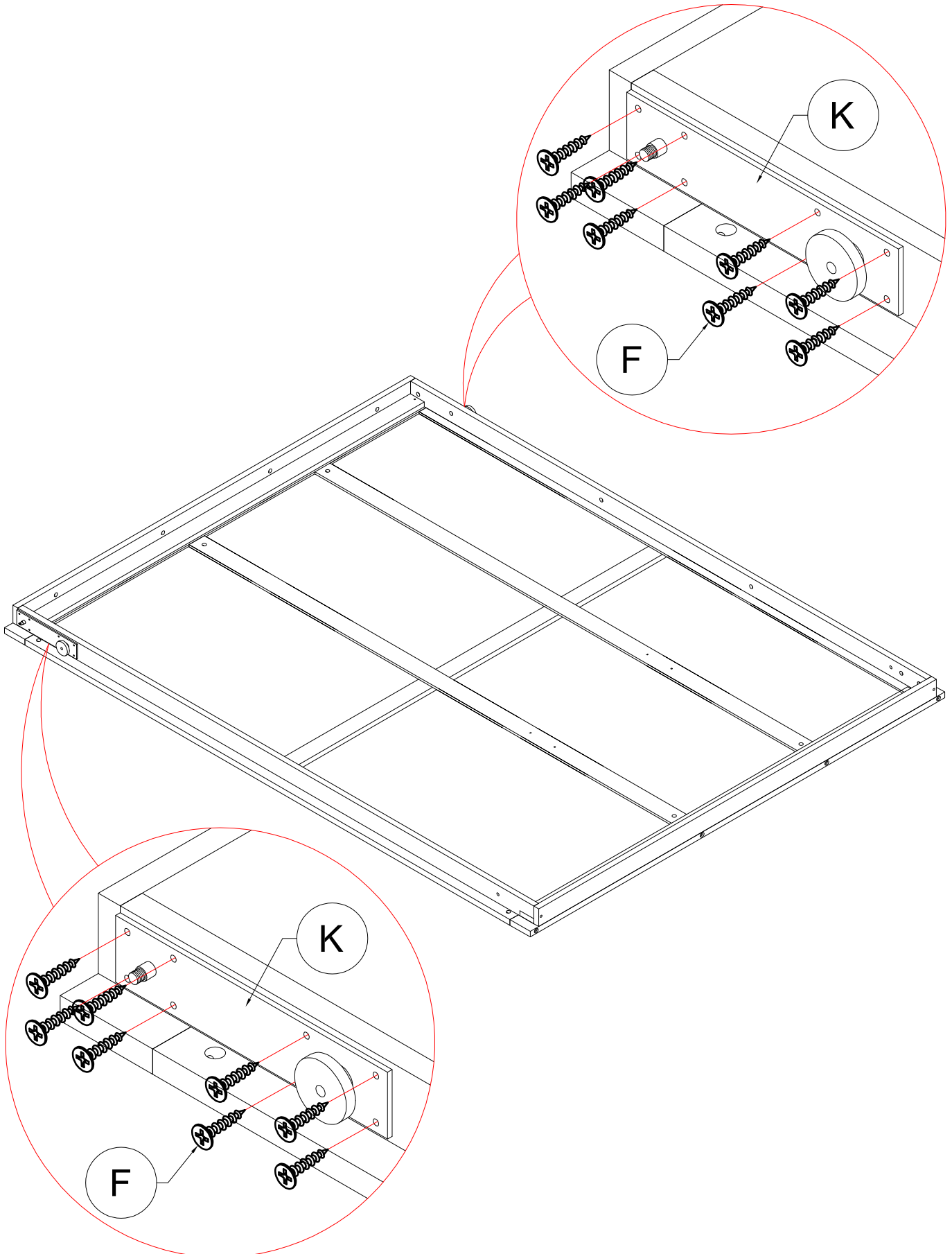
# STEP 8: Following below illustration:

<b>C</b> 	<b>B</b> 
20pcs	20pcs






# STEP 9: Following below illustration:

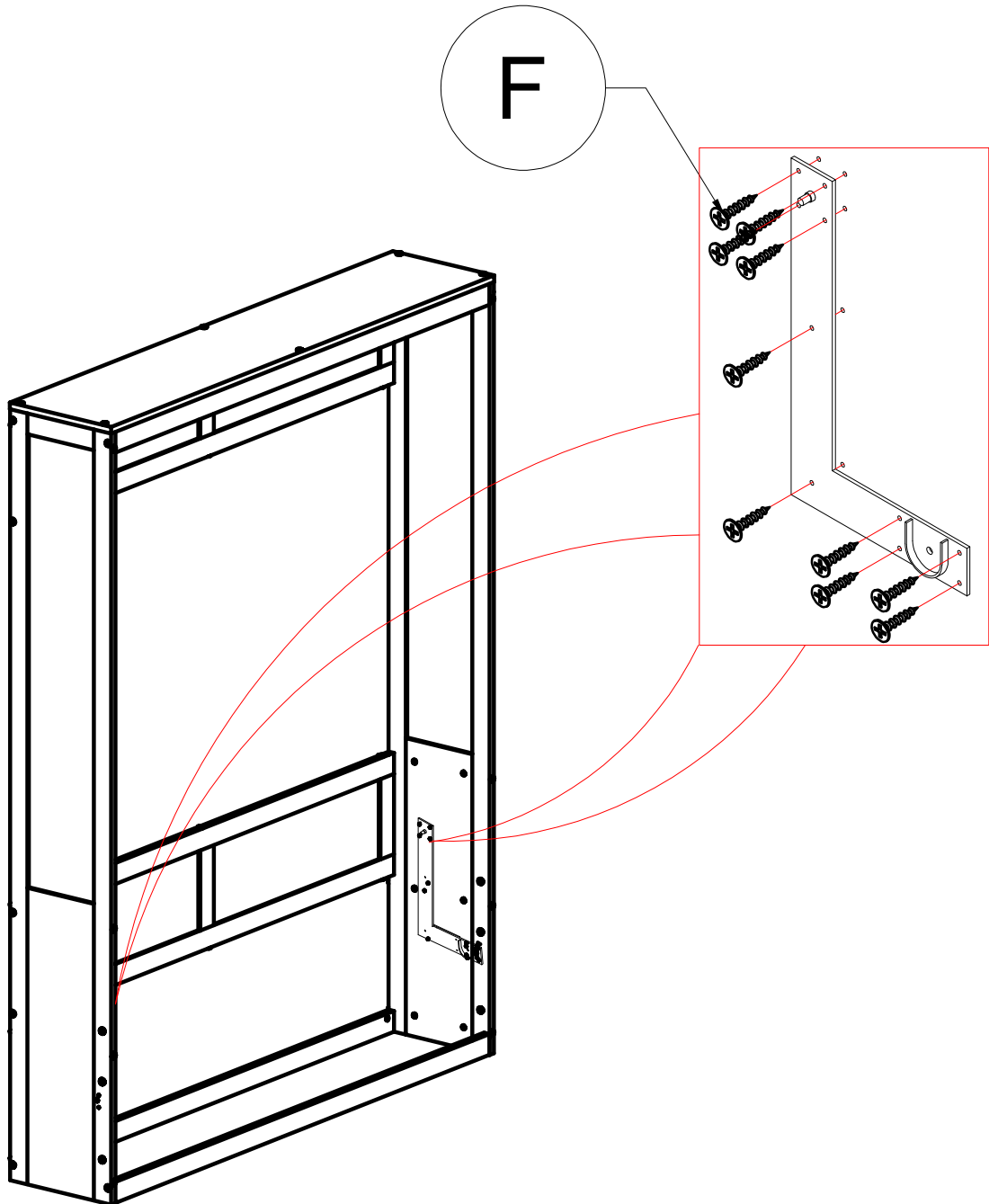
F		K	
16pcs		2pcs	





# STEP 10: Following below illustration:

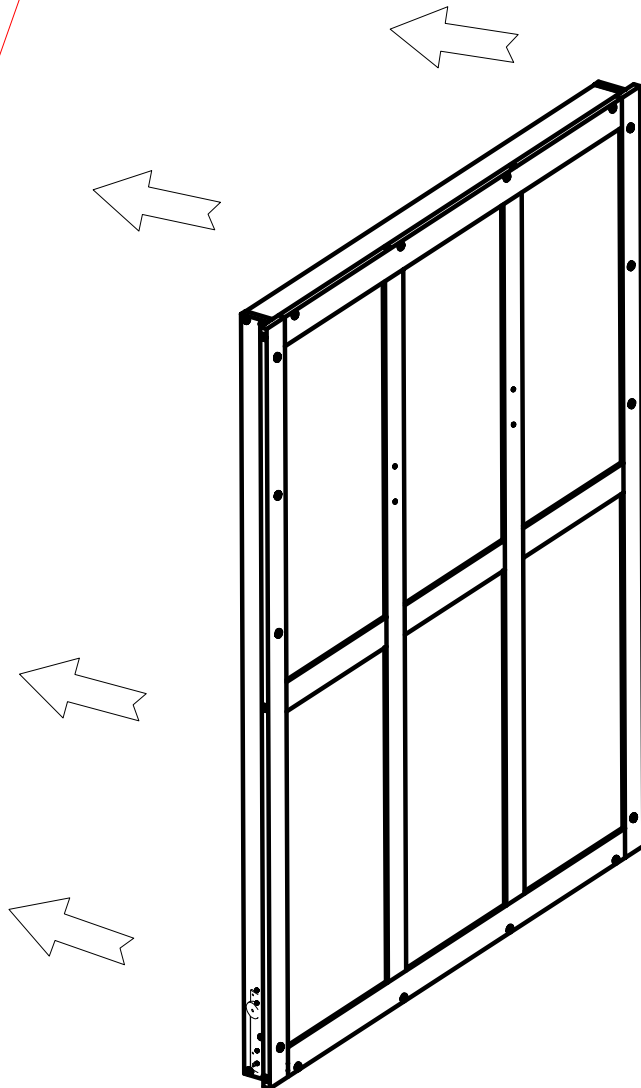
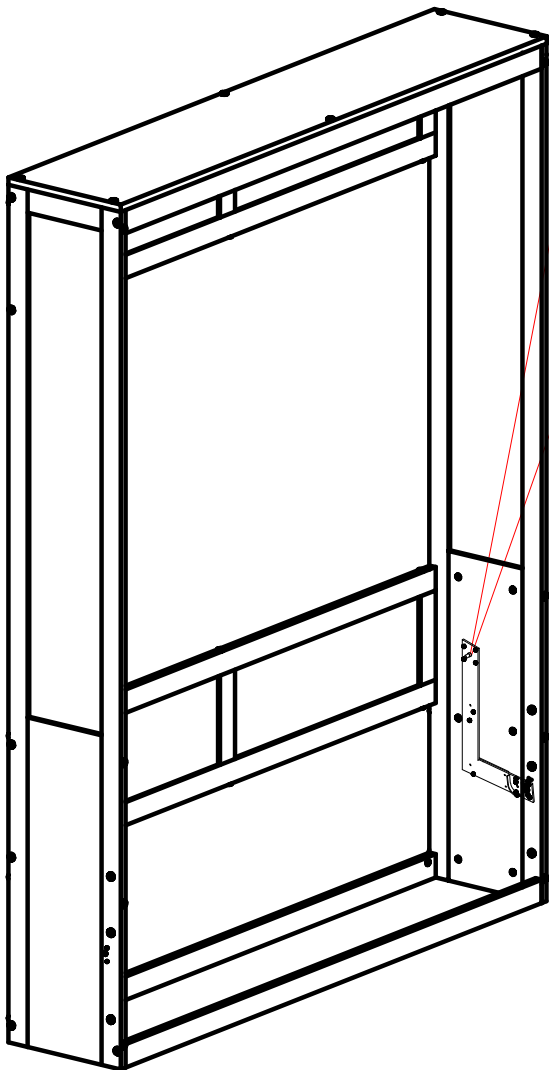
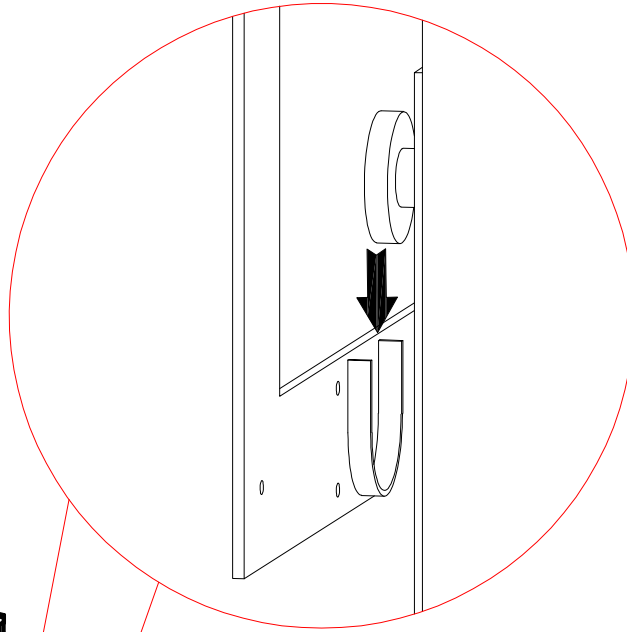
F		G		H	
	20pcs		1pcs		1pcs



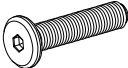
# STEP 11: Following below illustration:

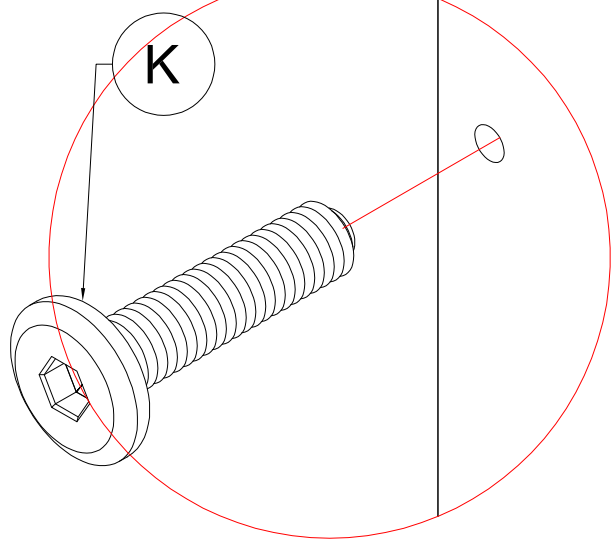
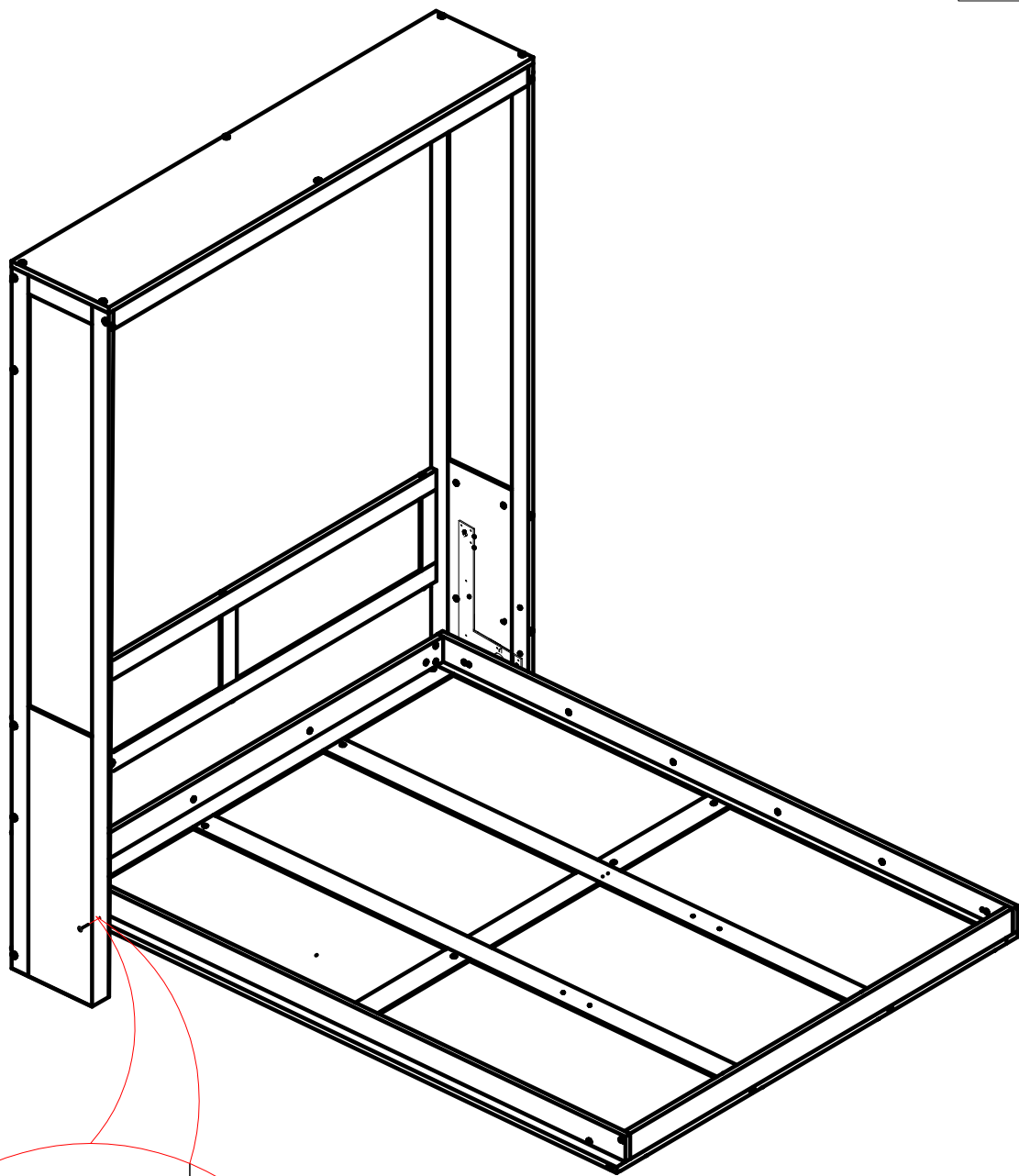


Four people are required to assemble and move this model.




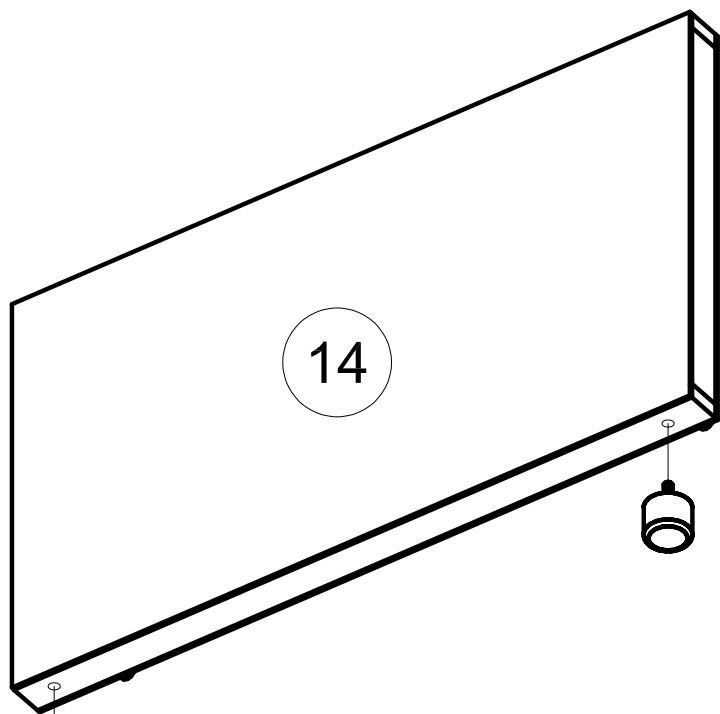
**STEP 12:** Following below illustration:

K

2pcs

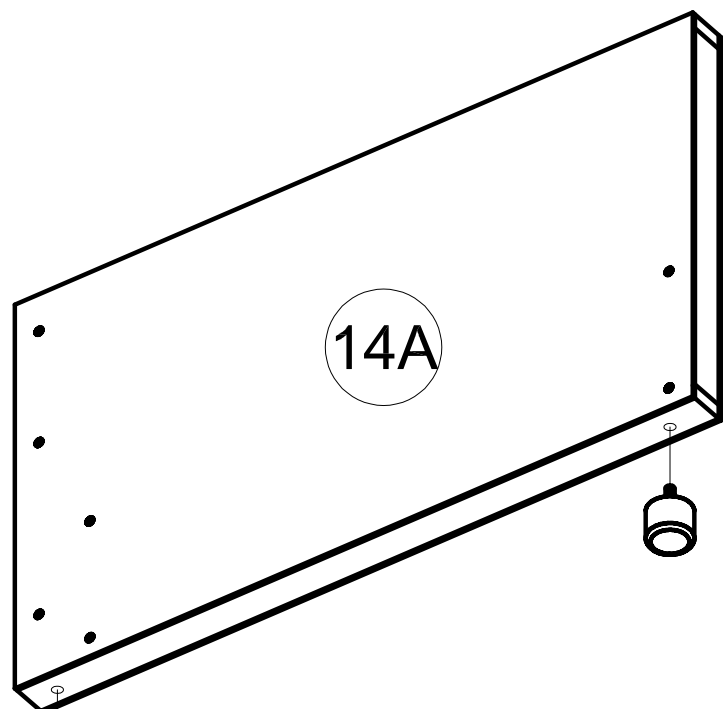


# STEP 13: Following below illustration:

Q

4pcs



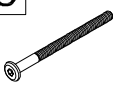
14



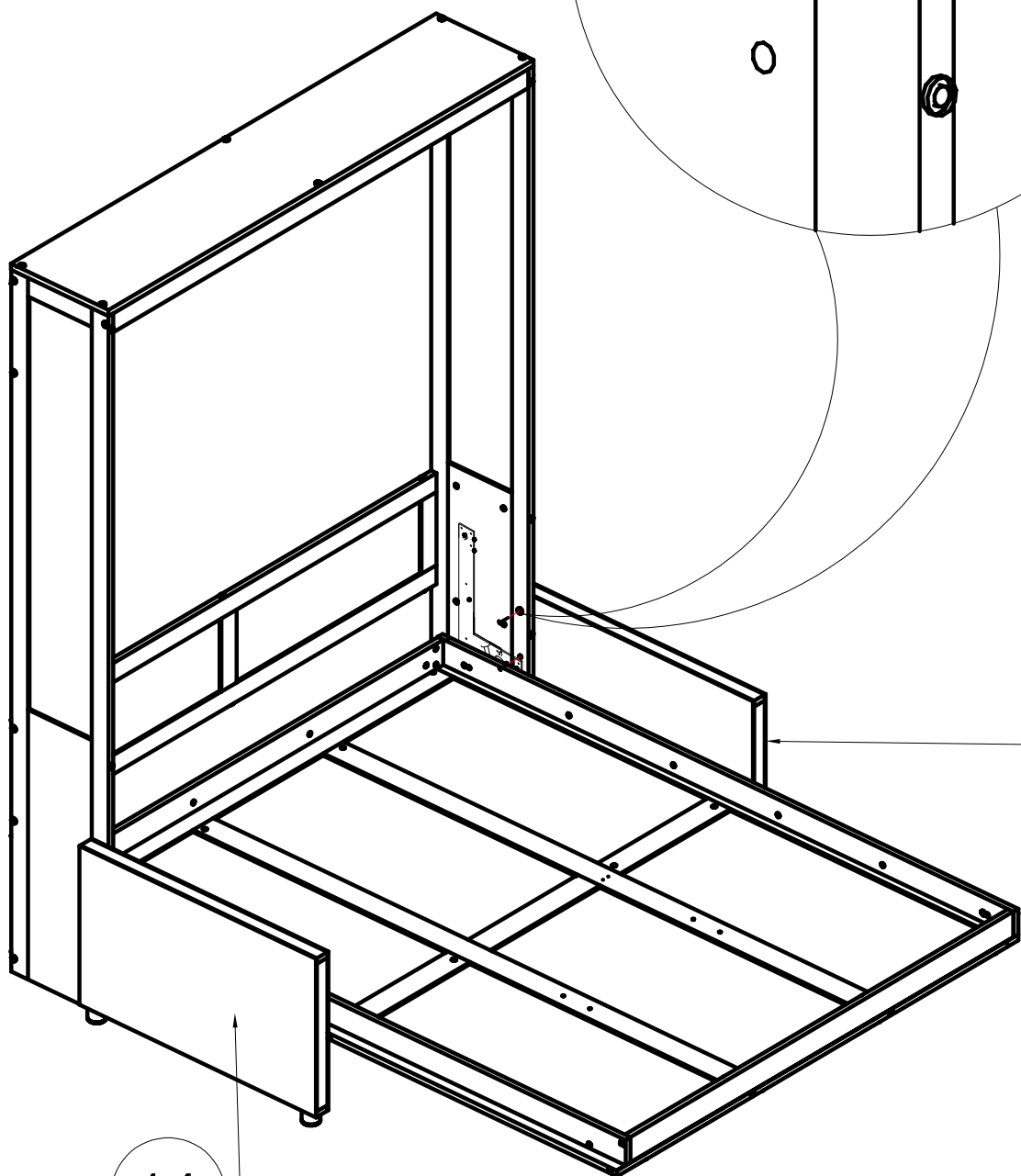
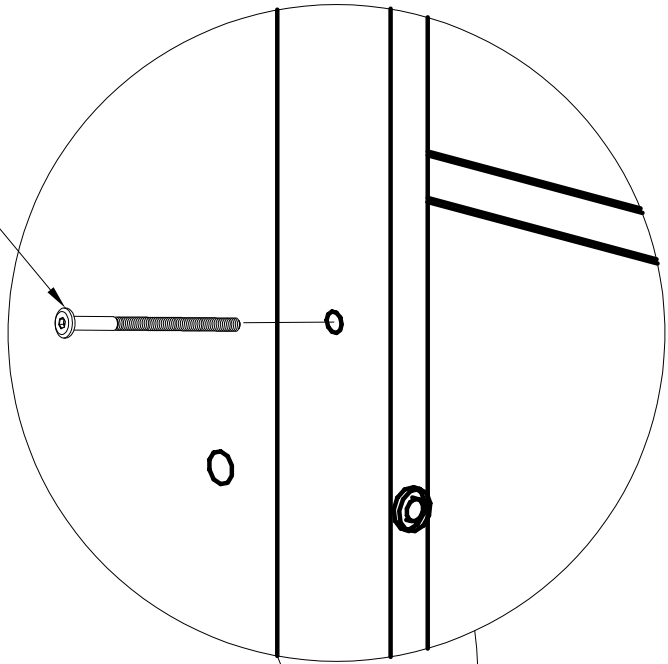
14A

Q

# STEP 14: Following below illustration:

C	
4pcs	

C




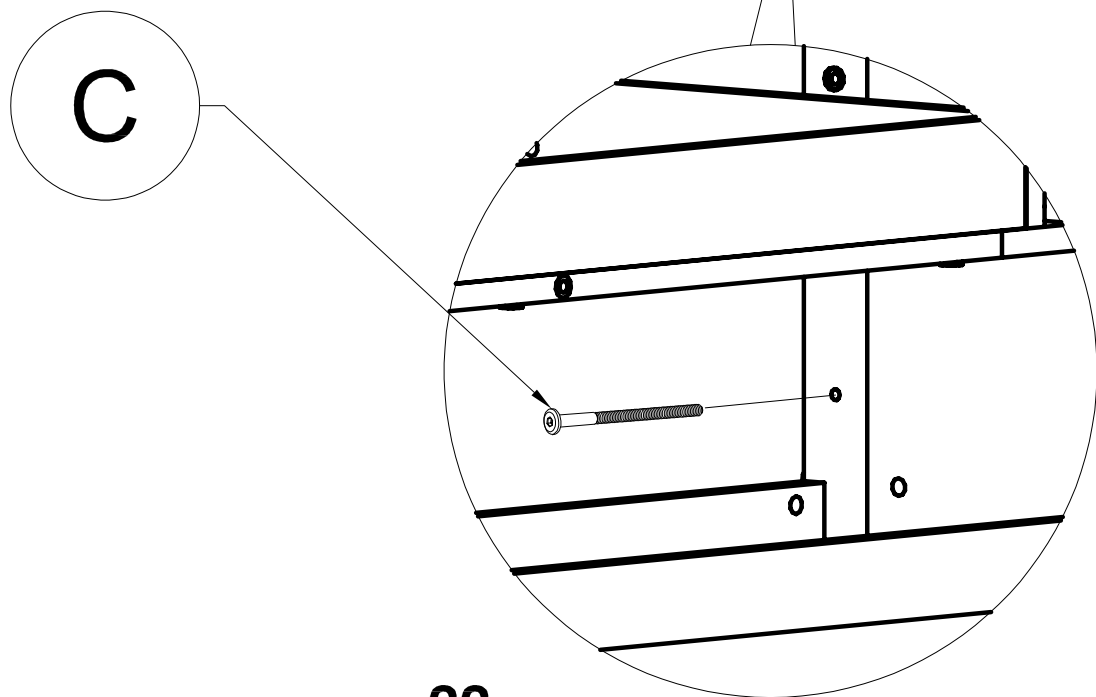
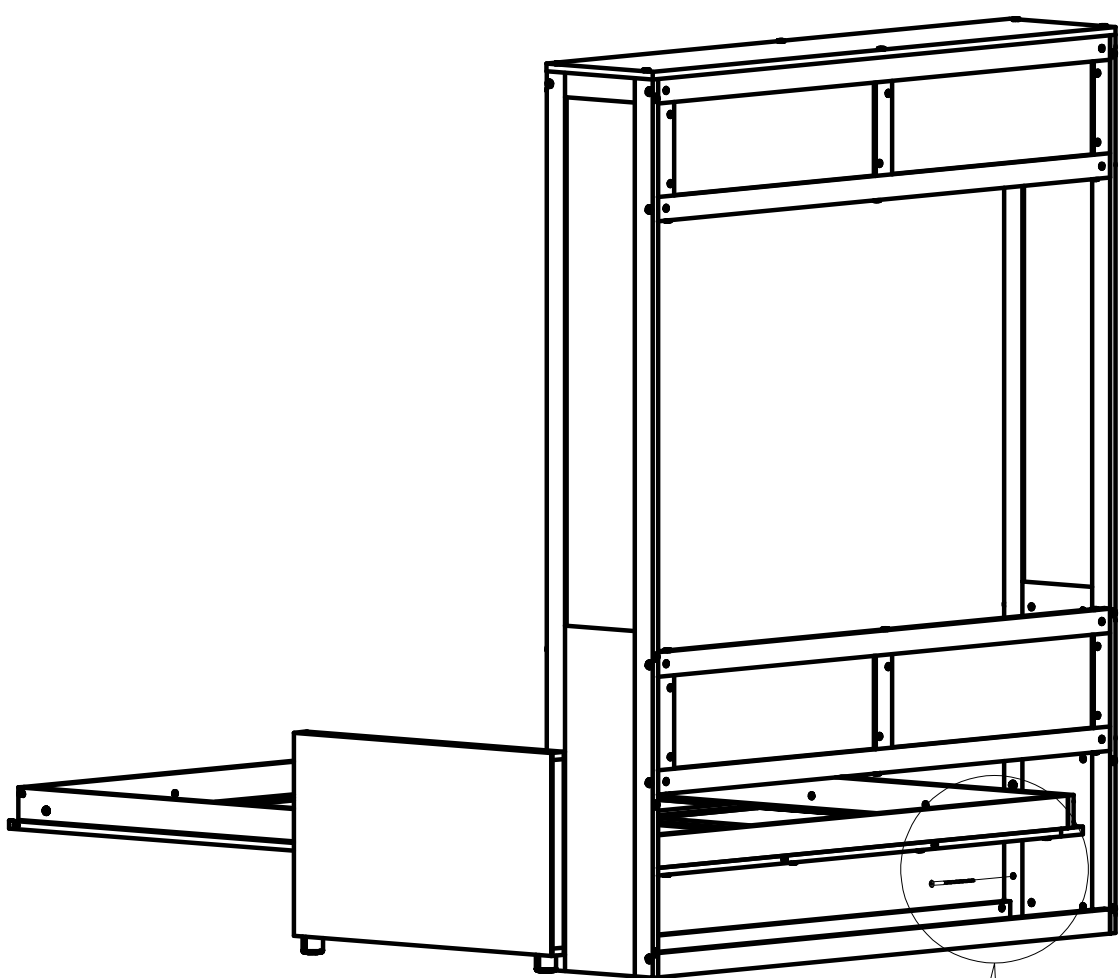
14A

14



21

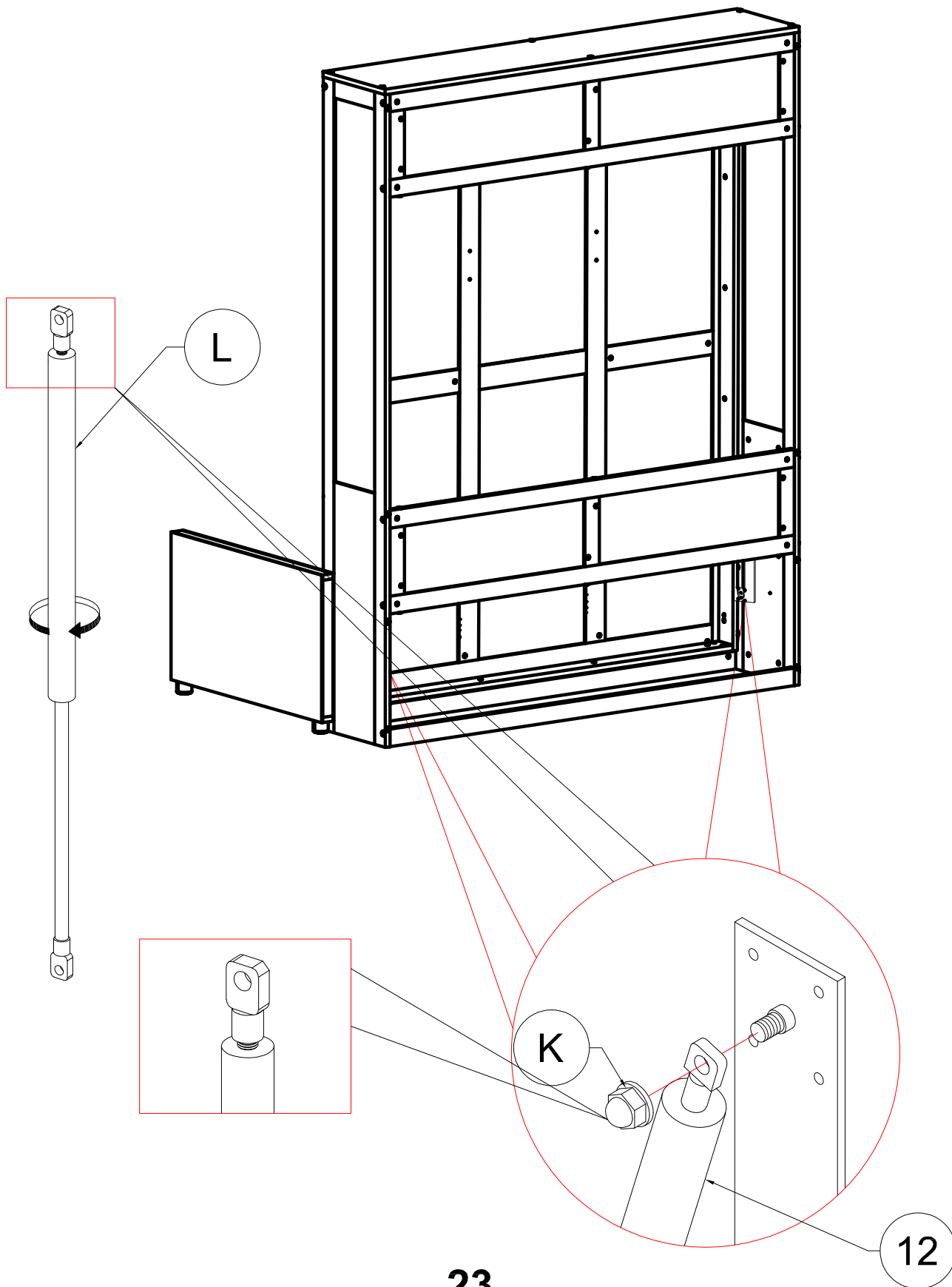
**STEP 15:** Following below illustration:

C

2pcs

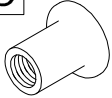
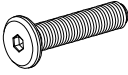


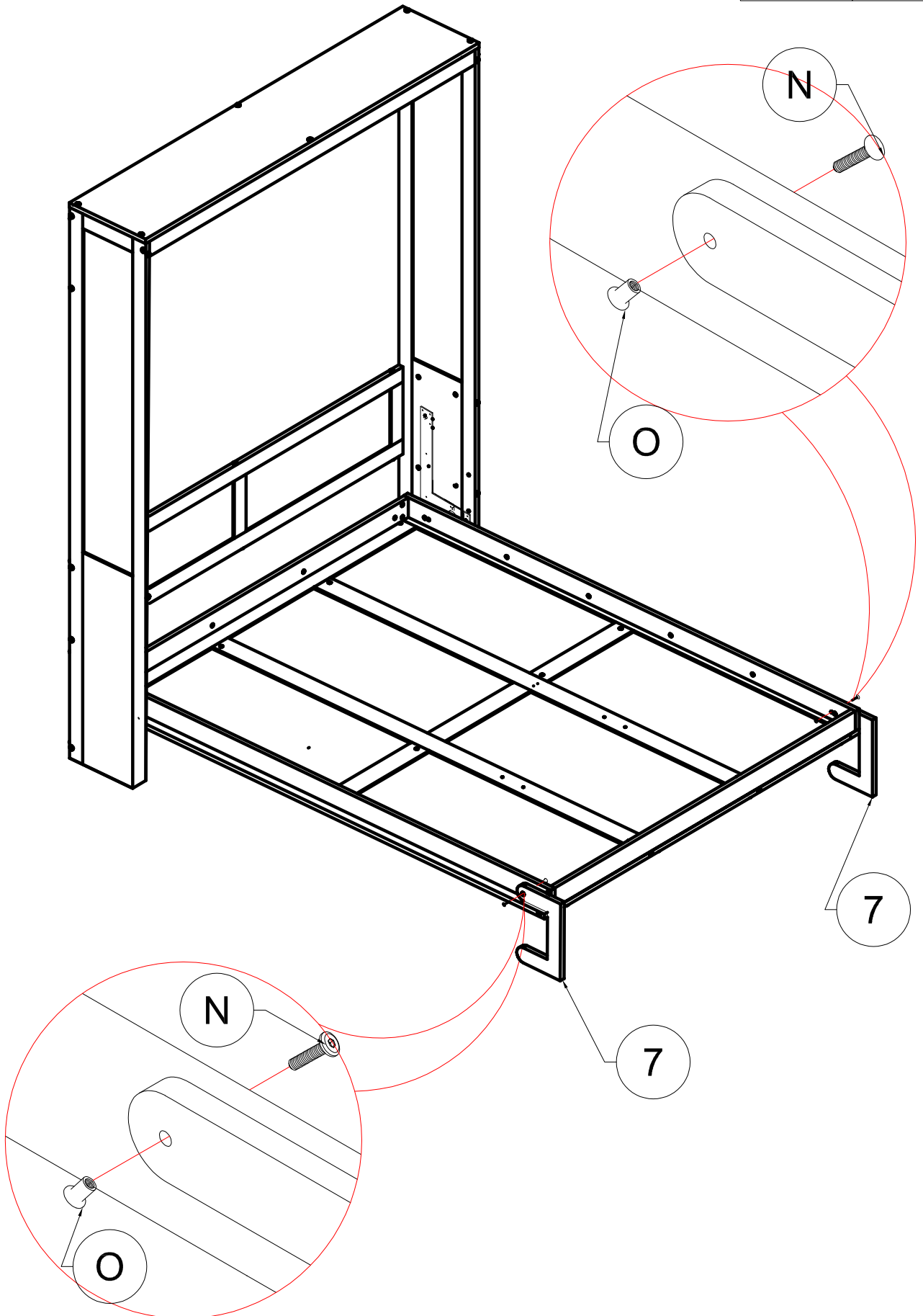
# STEP 16: Following below illustration:

L		K	
	2pcs		4pcs




# STEP 17: Following below illustration:

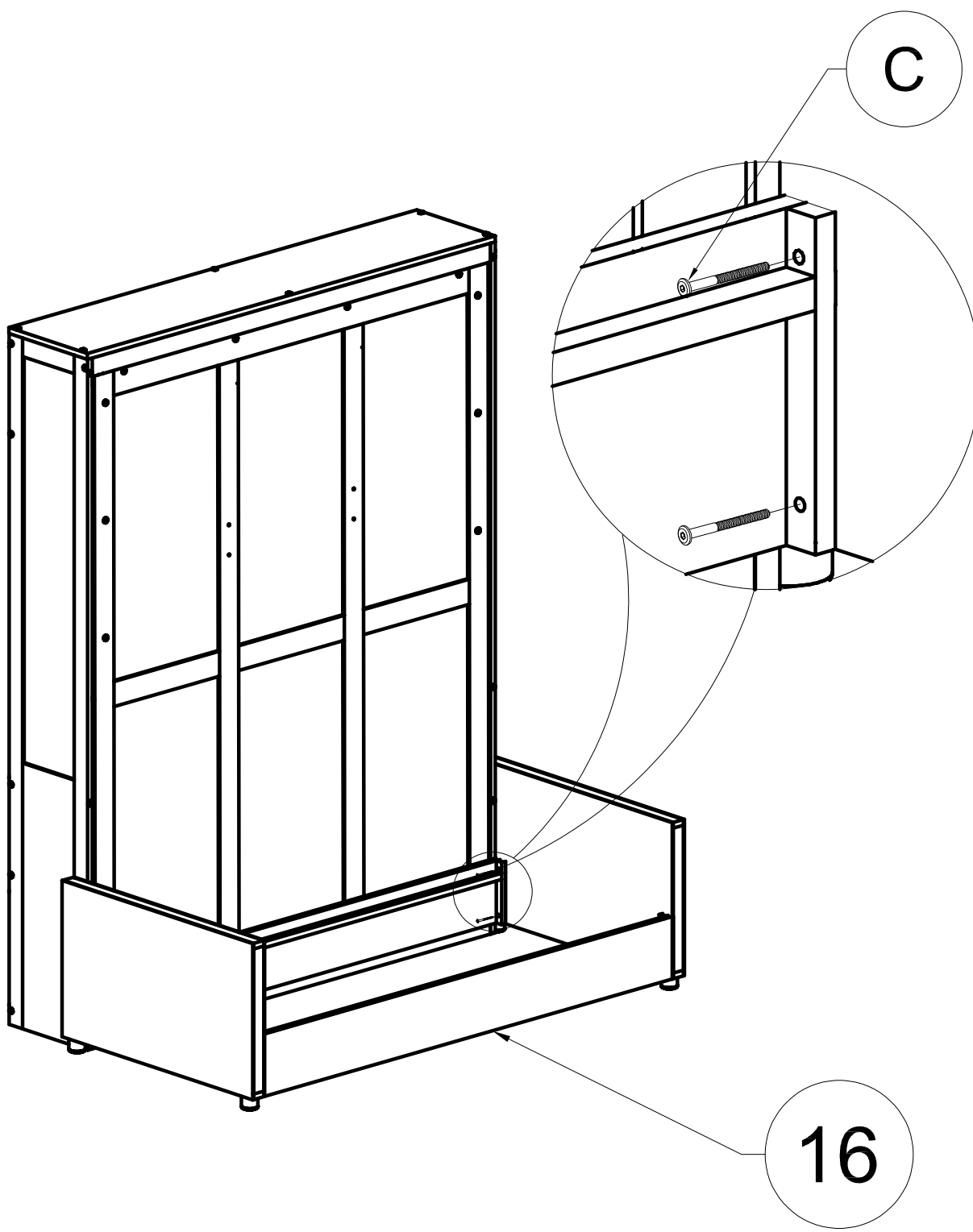
O		N	
2pcs		2pcs	






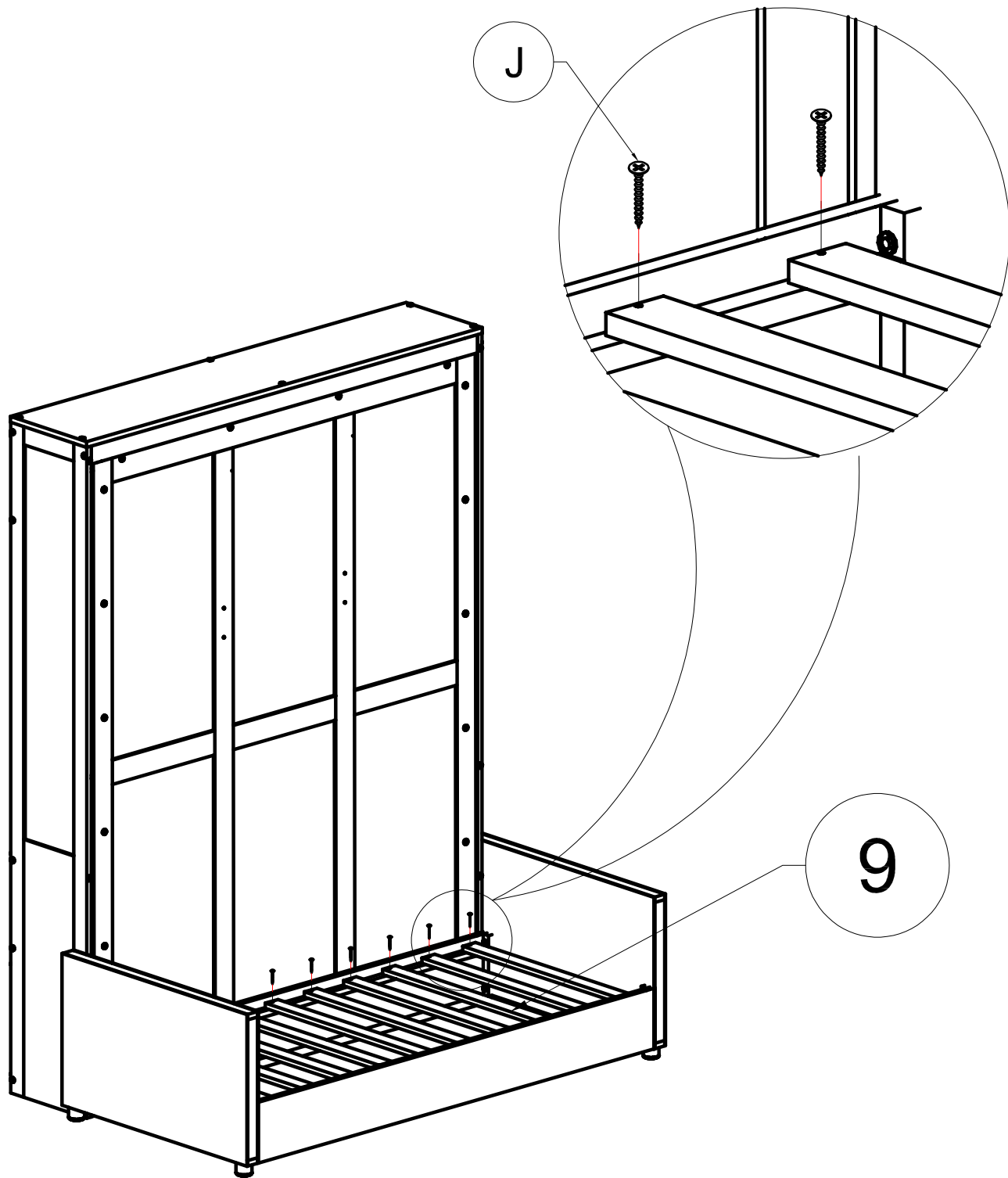
**STEP 18:** Following below illustration:

C

8 pcs


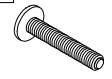


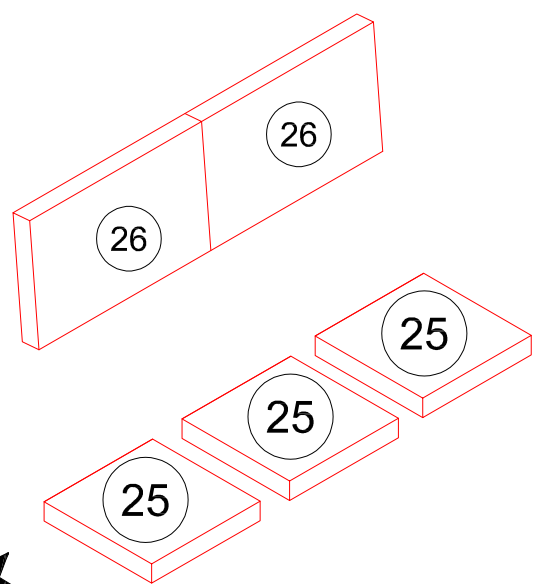
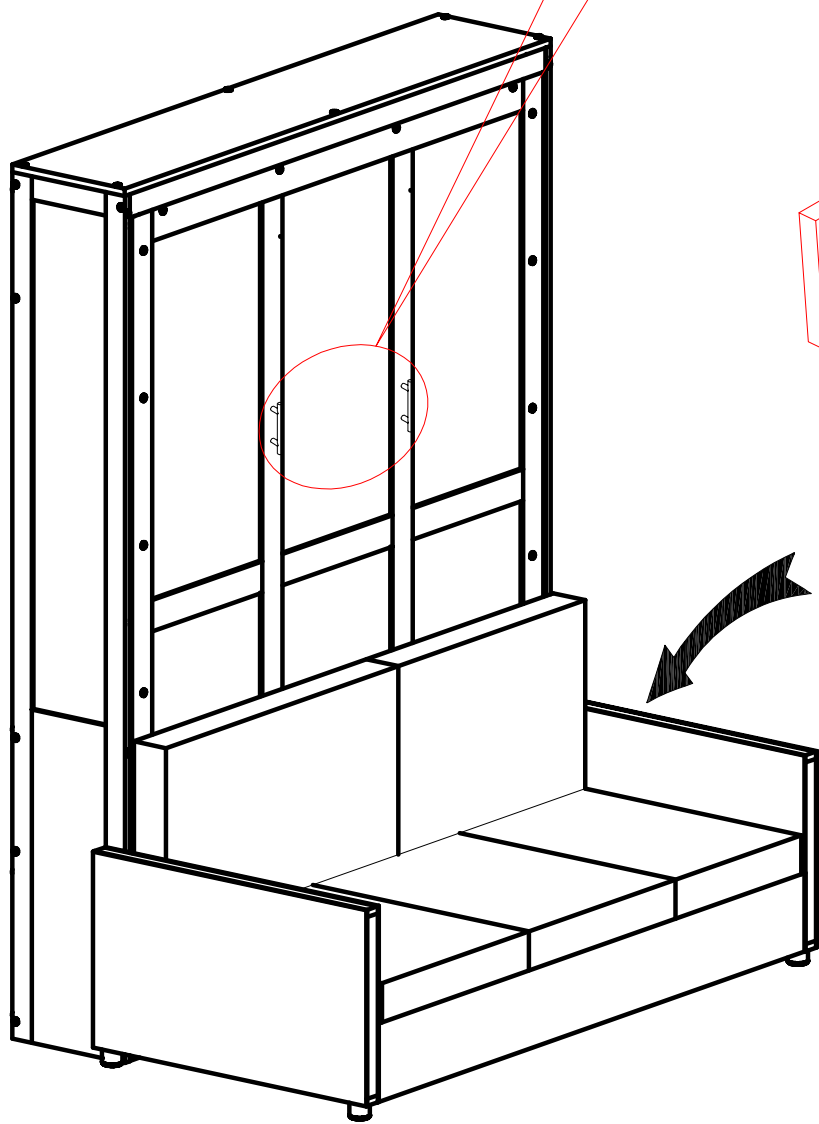
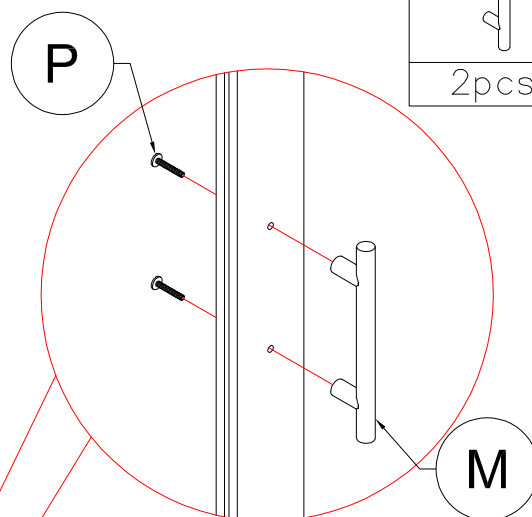
**STEP 19:** Following below illustration:

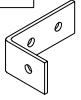

J	
18pcs	

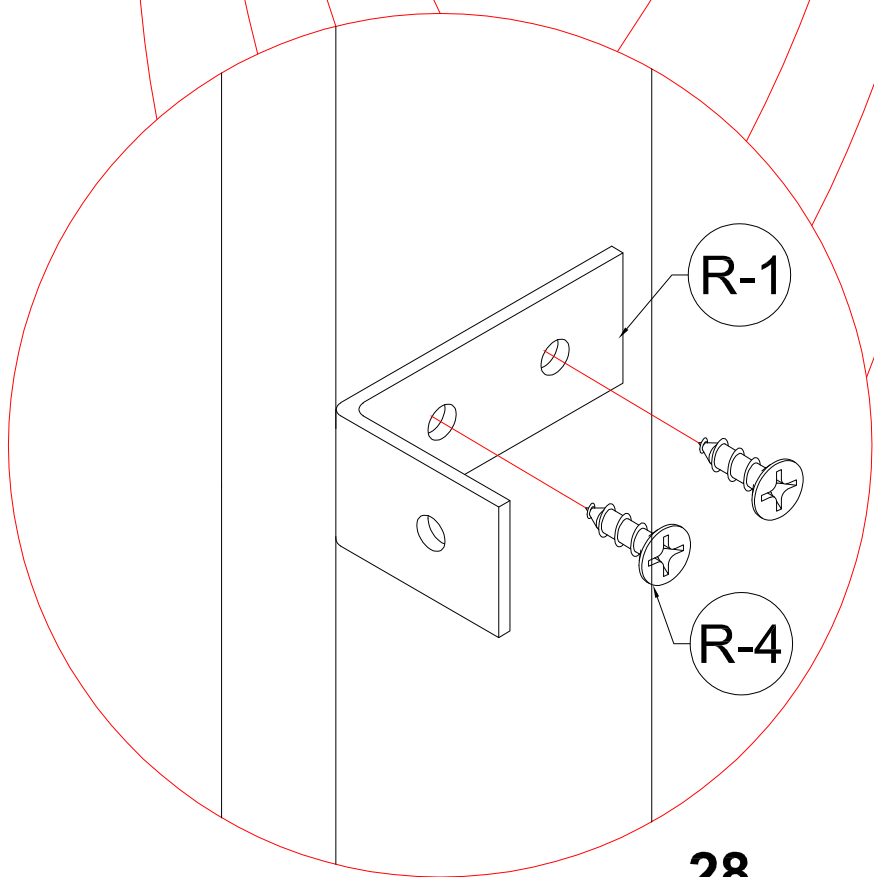
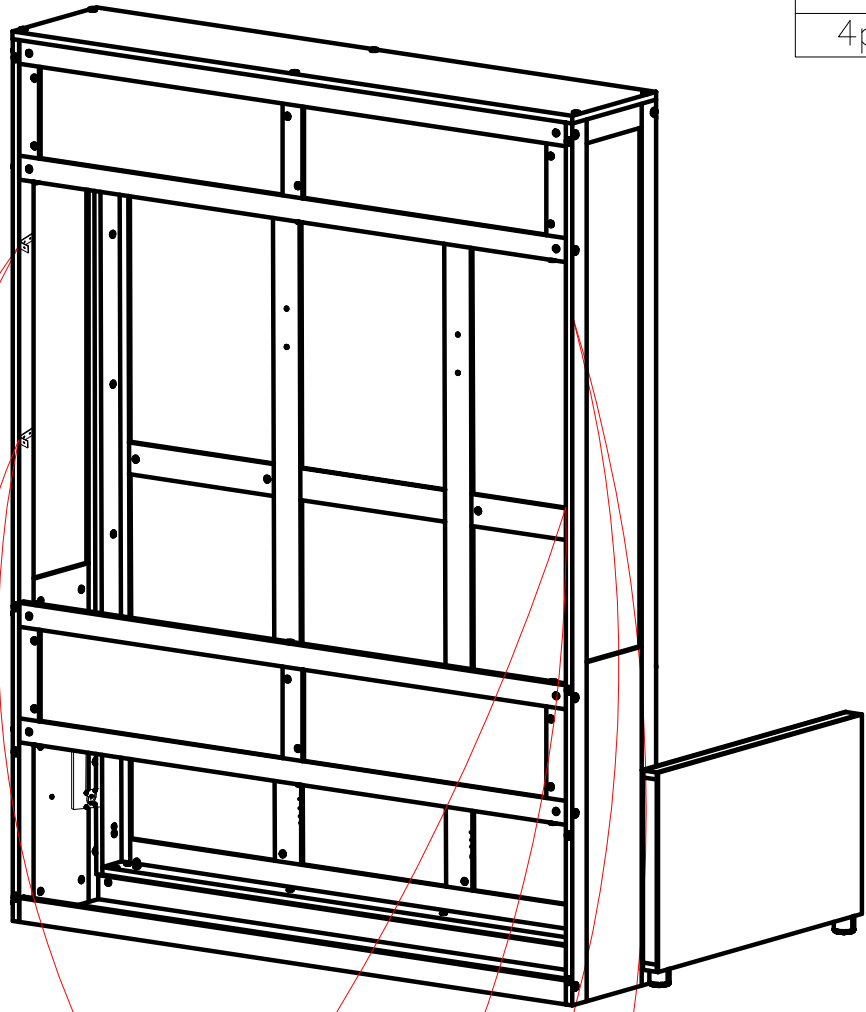


**STEP 20:** Following below illustration:

M		P	
	2pcs		4pcs

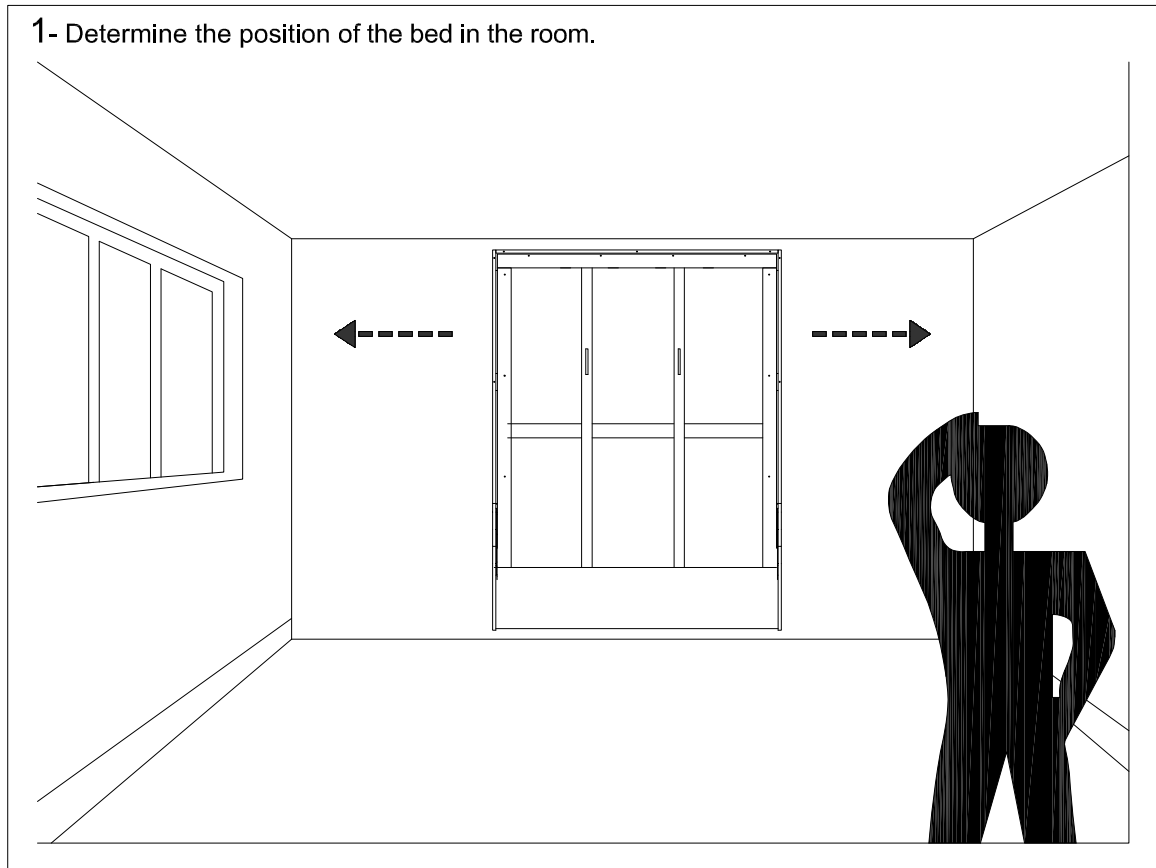


R-1	R-4
	
4pcs	8pcs

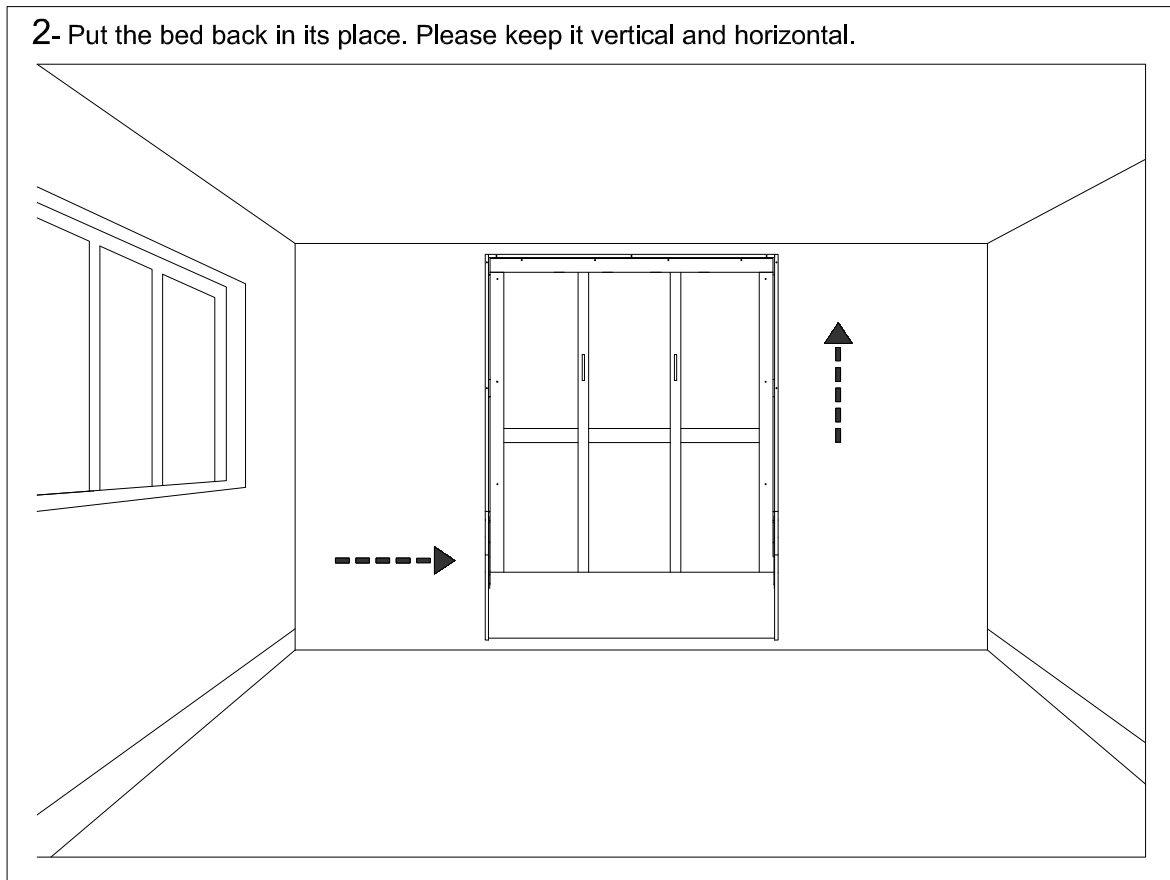


## STEP 21: Following below illustration:

1- Determine the position of the bed in the room.



2- Put the bed back in its place. Please keep it vertical and horizontal.

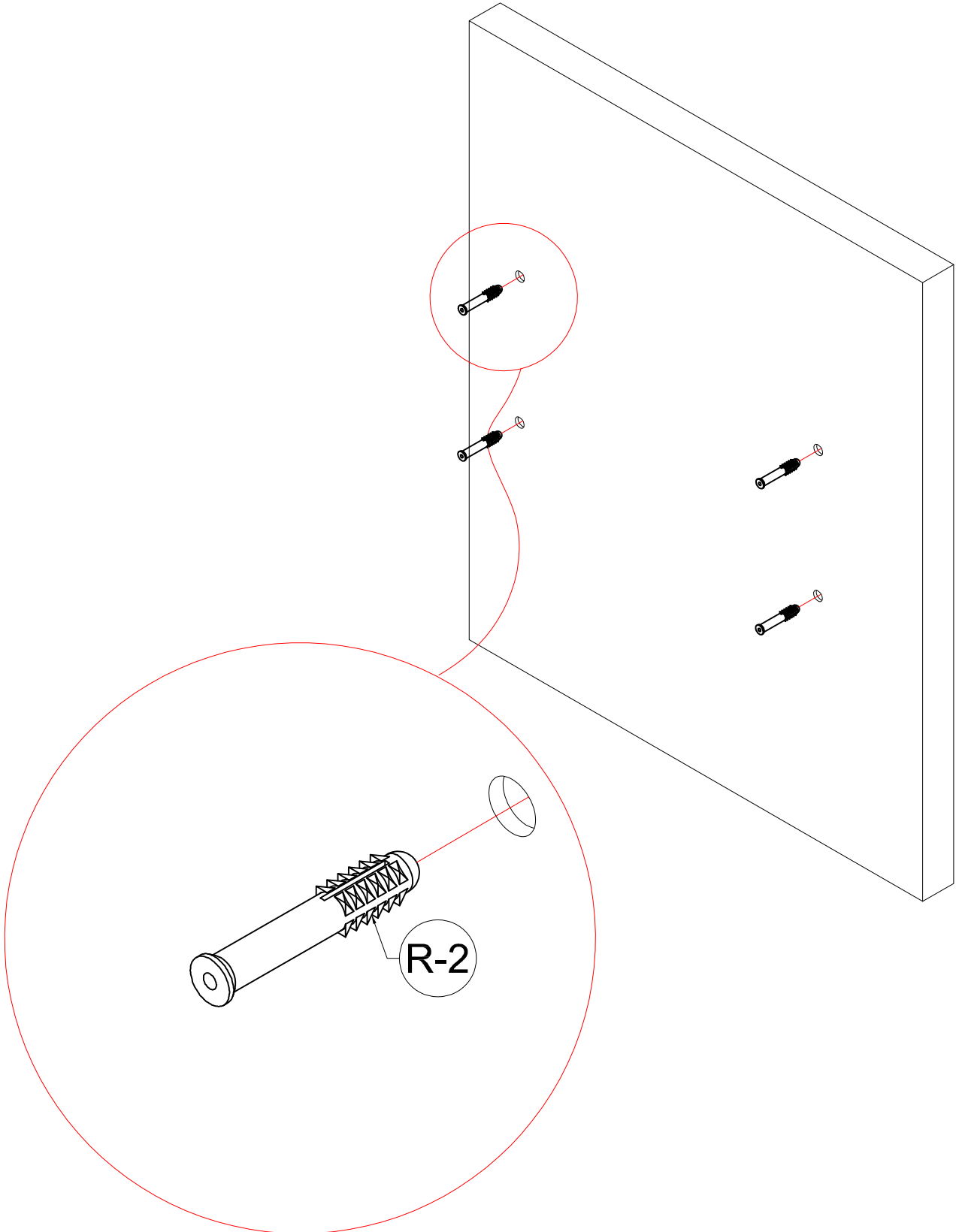


# STEP 22: Following below illustration:

R-2



4pcs

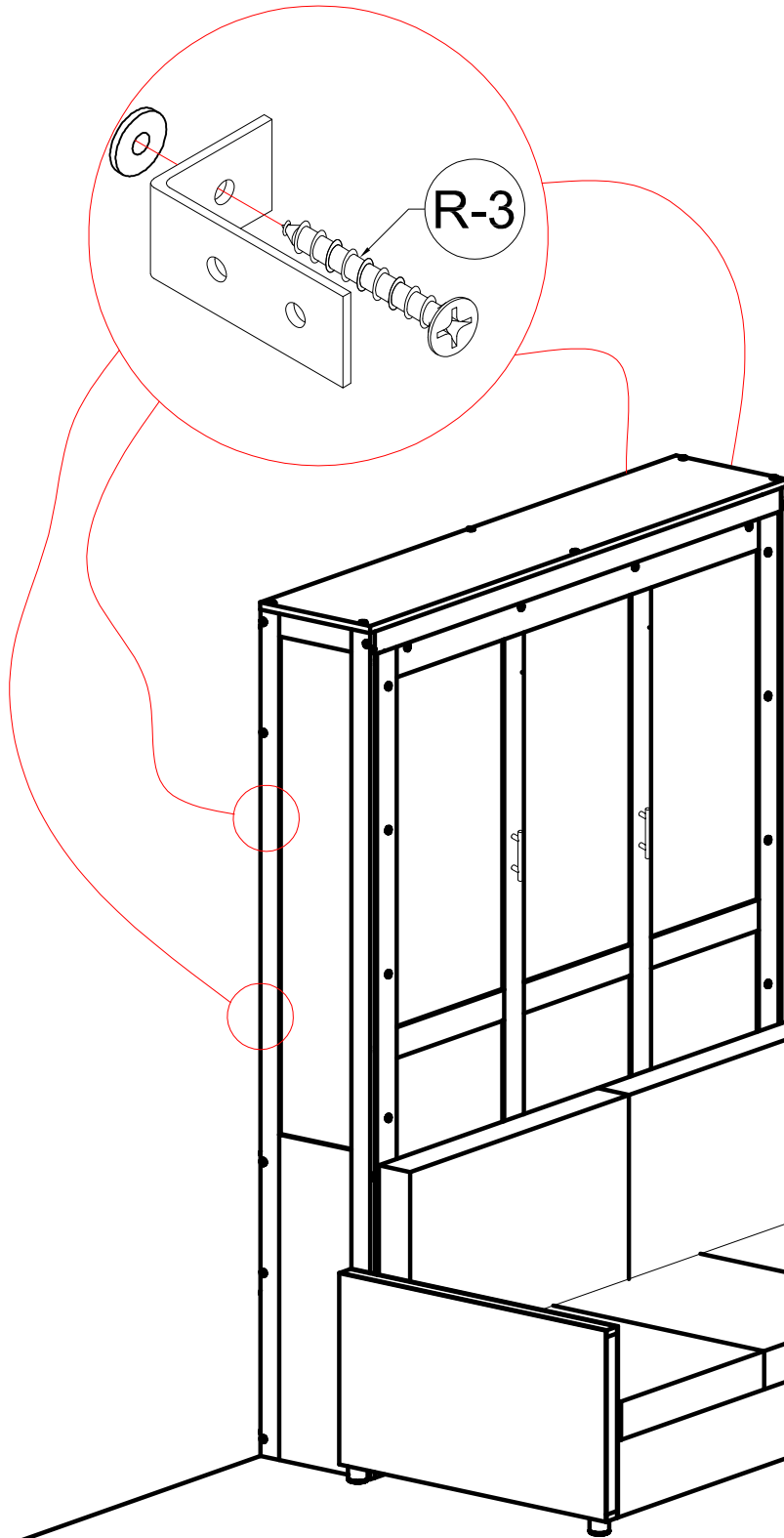


**STEP 23:** Following below illustration:

R-3

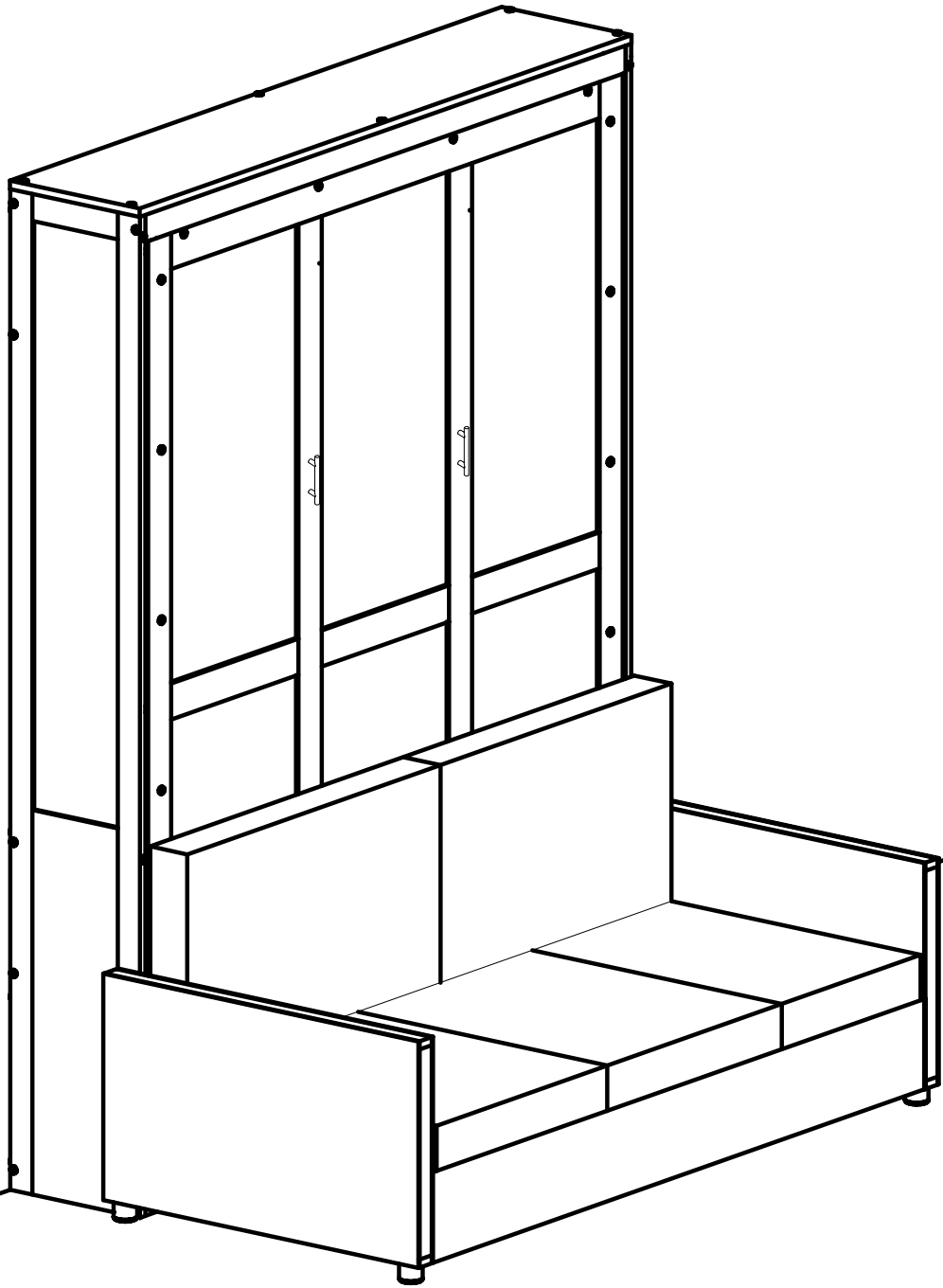


4pcs

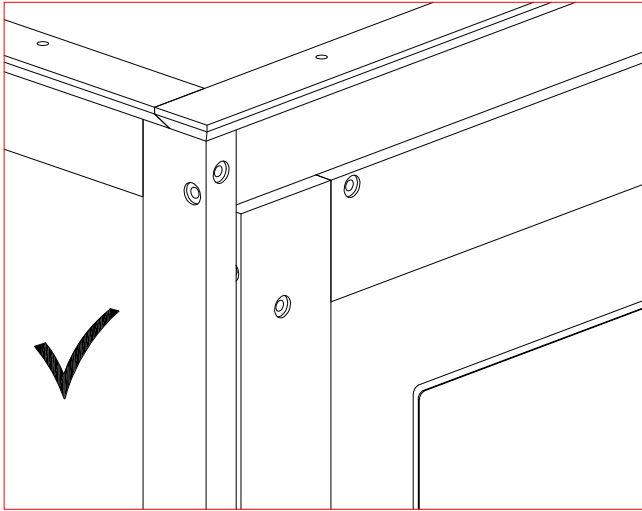
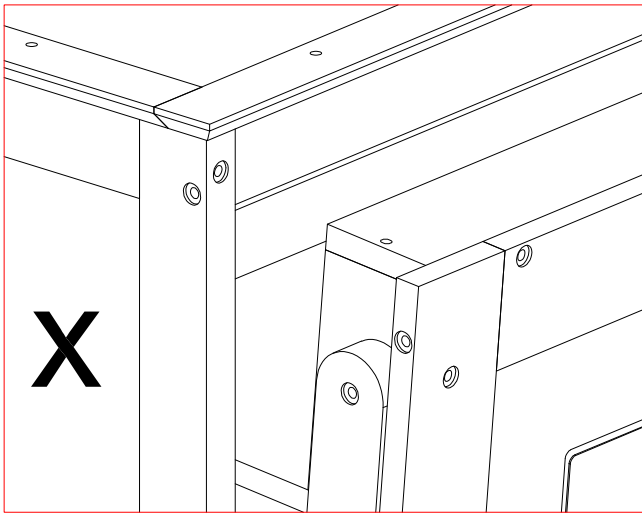


MOVE  
THE  
BED  
TO  
THE  
WALL

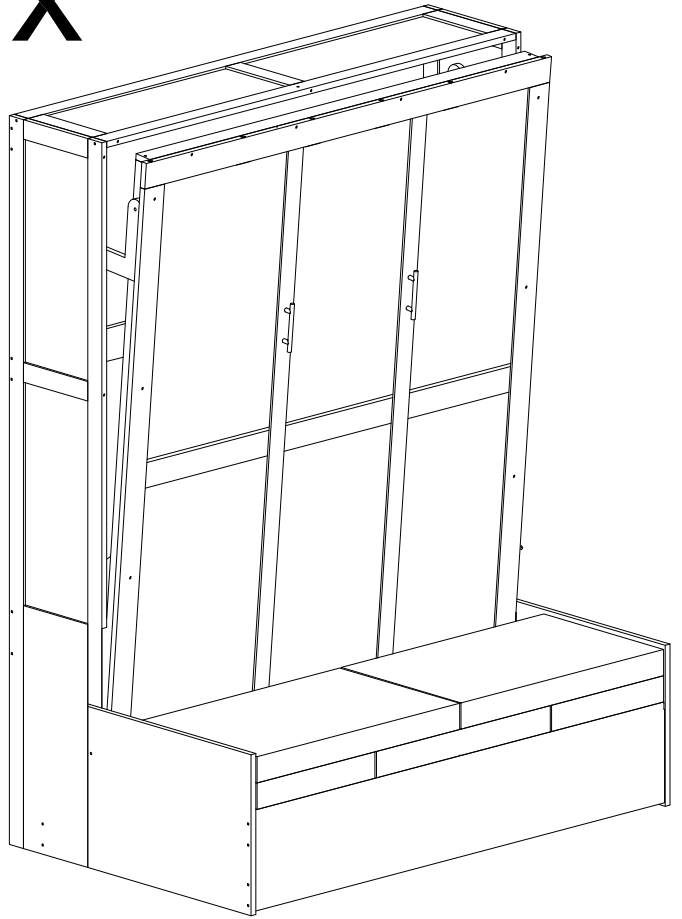
# FINISH



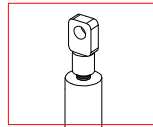
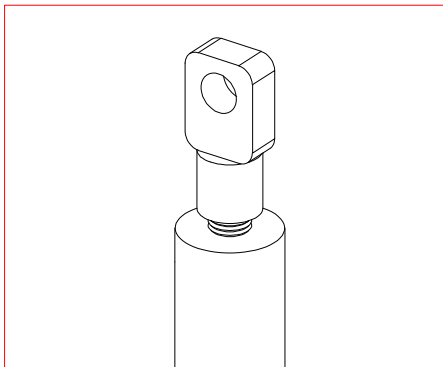




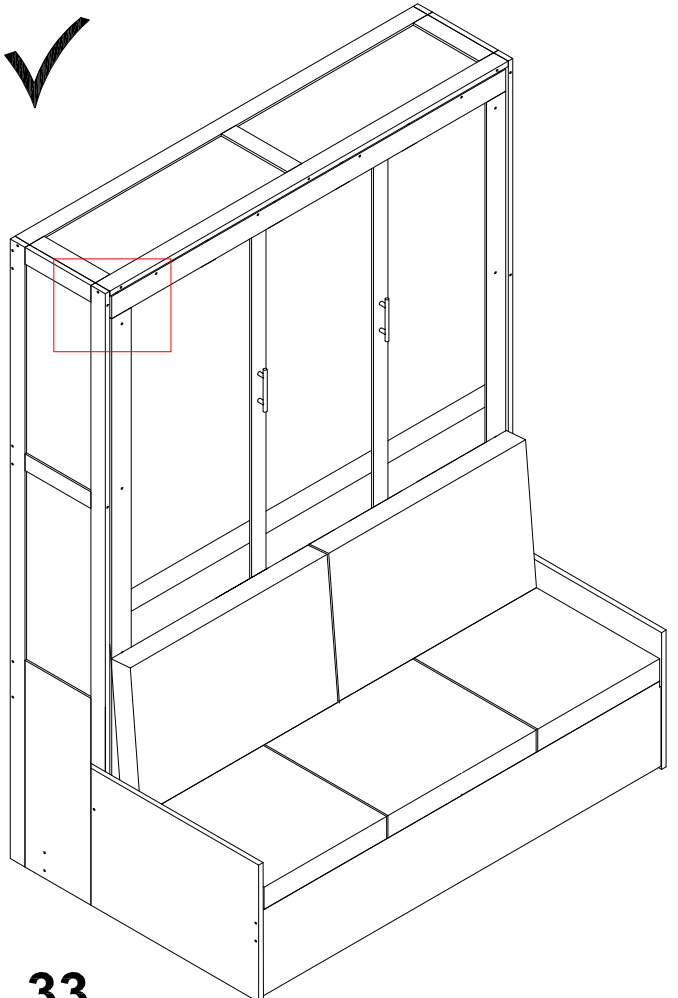
**X**



- ADJUSTABLE ACCESSORIES. PLEASE FOLLOW THE INSTRUCTIONS SO THAT THE DETAILS CAN BE IN THE CORRECT POSITION AS DESIRED

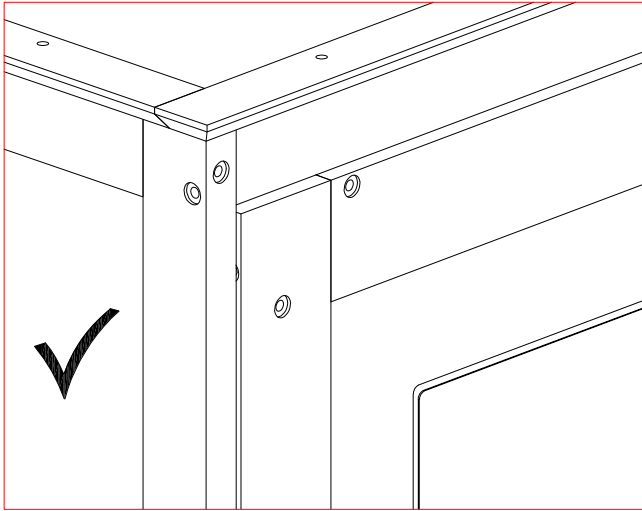
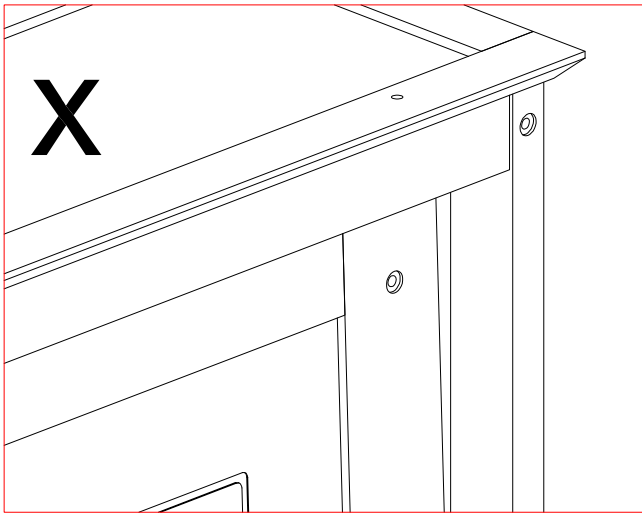


**✓**

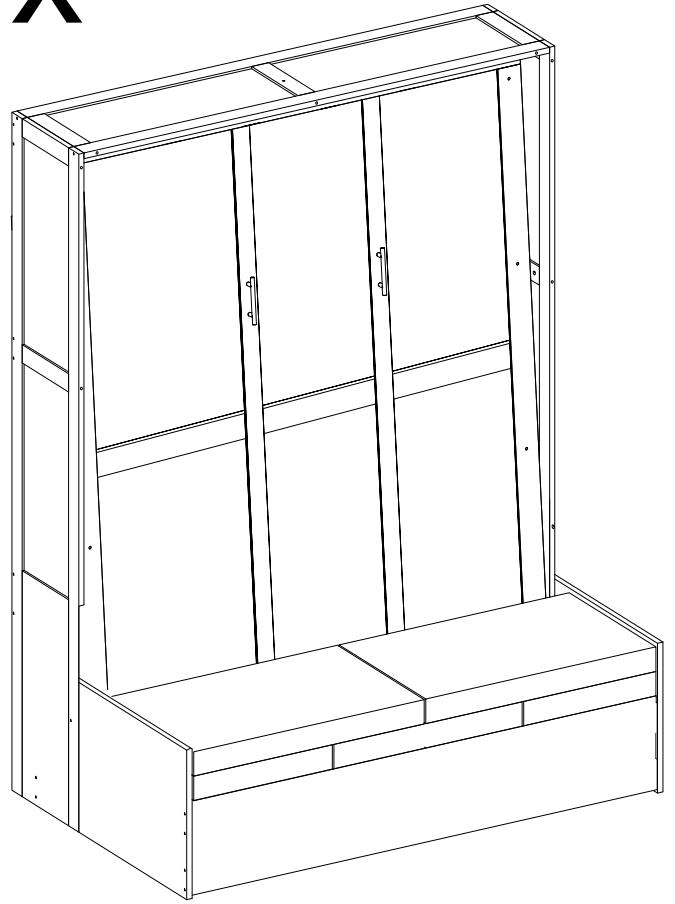


**NOTED**

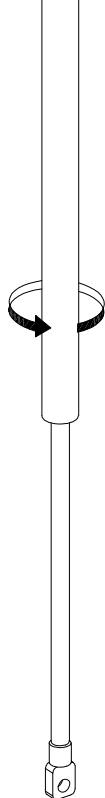
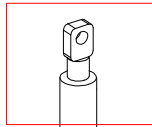
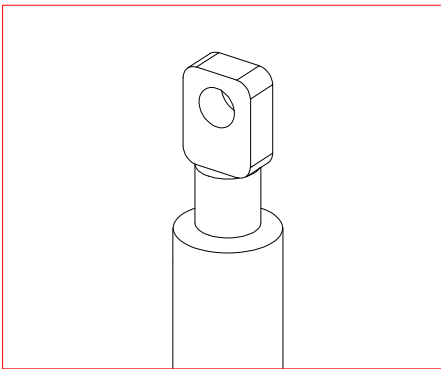
**33**



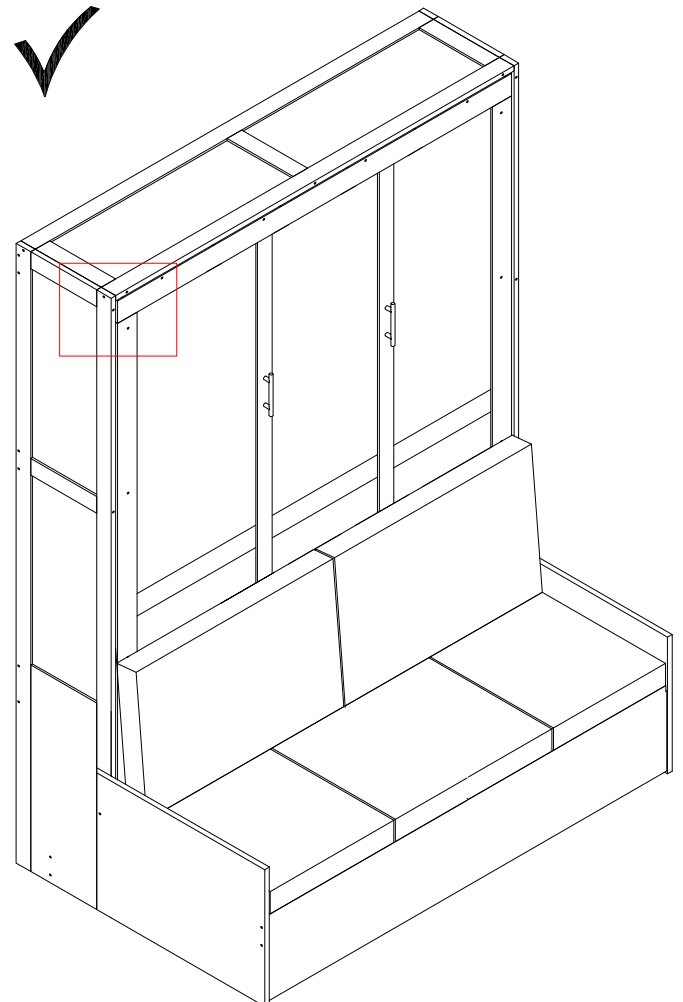
X



- ADJUSTABLE ACCESSORIES. PLEASE FOLLOW THE INSTRUCTIONS SO THAT THE DETAILS CAN BE IN THE CORRECT POSITION AS DESIRED



✓



**NOTED**