

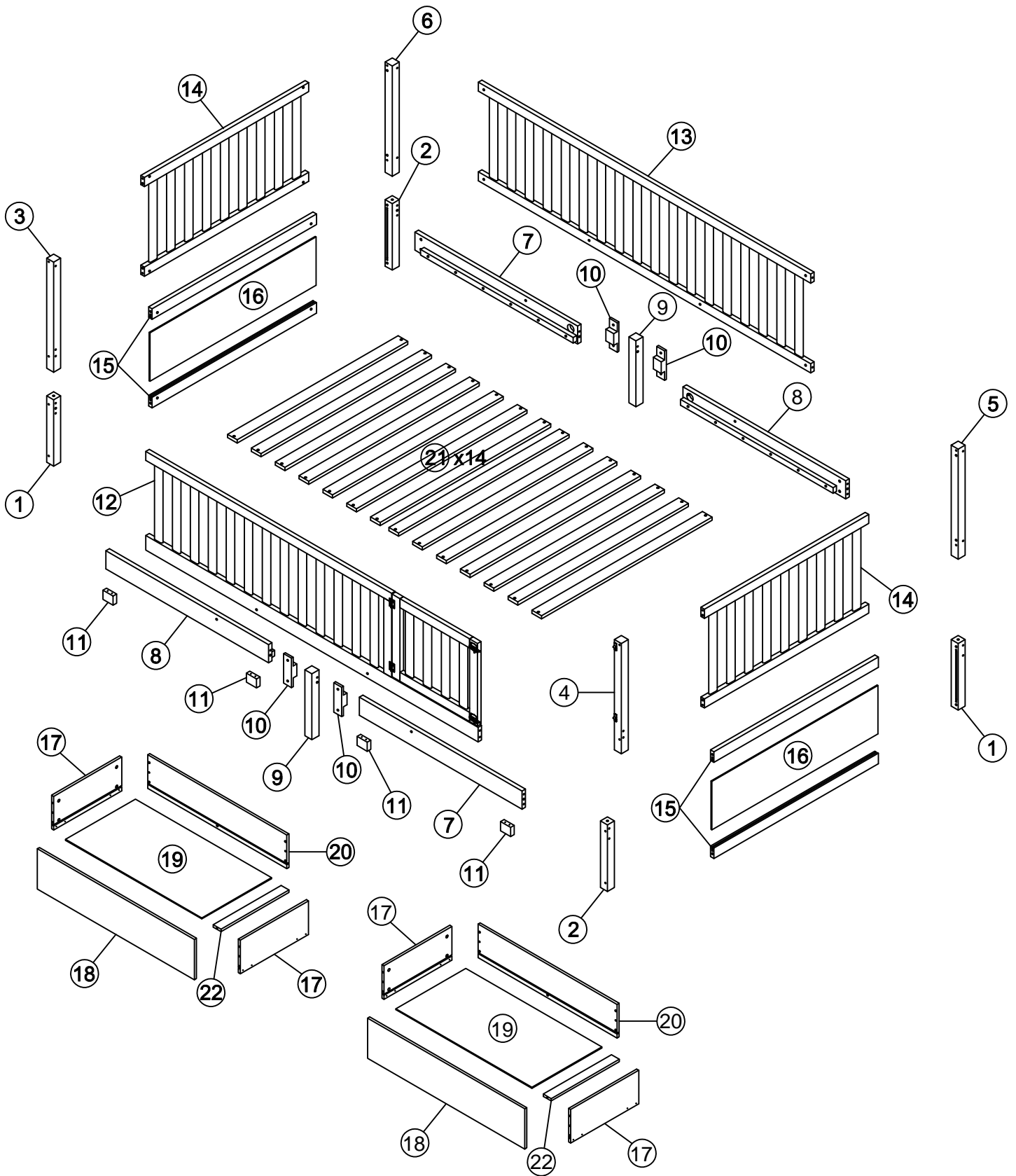
ASSEMBLY INSTRUCTIONS

TWIN BED WITH 2 DRAWERS



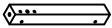


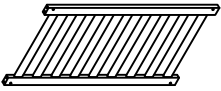
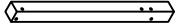
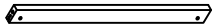
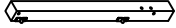
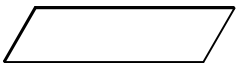
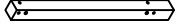
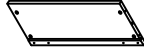
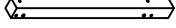
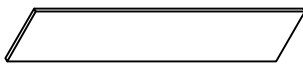




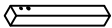
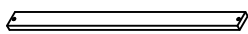
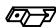

WF531303/WF531304

ASSEMBLY INSTRUCTIONS

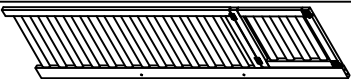
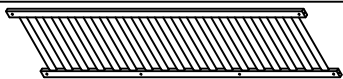


ASSEMBLY INSTRUCTIONS

WF531303 (Hardware in this SKU)




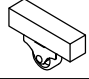
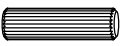








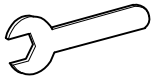
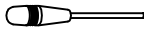
1	Leg		2pcs	11	Drawers stopper		4pcs
2	Leg		2pcs	14	Headboard frames		2pcs
3	Leg		1pc	15	Headboard panel		4pcs
4	Leg		1pc	16	Headboard frames		2pcs
5	Leg		1pc	17	Side drawers panel		4pcs
6	Leg		1pc	18	Front drawers panel		2pcs
7	Side rails		2pcs	19	Bottom drawers panel		2pcs
8	Side rails		2pcs	20	Back drawers panel		2pcs
9	Leg		2pcs	21	Slats		14pcs
10	Support guard rails		4pcs	22	Drawers support		2pcs

WF531304

12	Front bed side frame		1pc	13	Back bed side frame		1pc
-----------	----------------------	---	-----	-----------	---------------------	---	-----

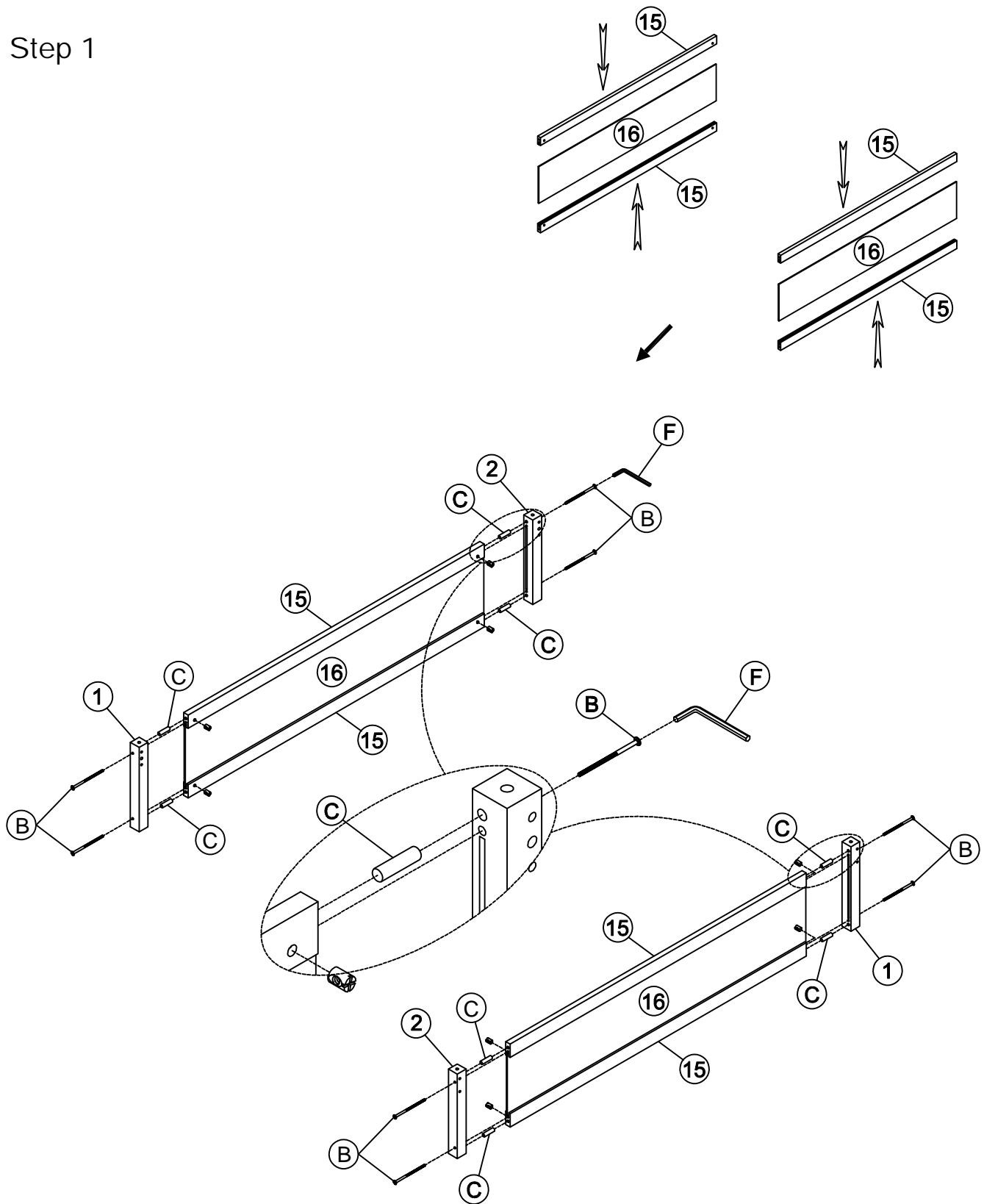
ASSEMBLY INSTRUCTIONS

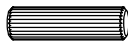



WF531303 (Hardware in this SKU)

A	Ø4x30		52PCS		H	Ø12x10		20PCS
B	1/4x90		33PCS		I			8PCS
C	Ø10x40		24PCS		J	1/4x25		8PCS
D	Ø10x30		4PCS		K	1/4x125		2PCS
E	Ø8x30		8PCS		L			4PCS
F	4x58		1PC		M			4PCS
G	Ø6.5x35		20PCS		N			2PCS
	Phillip head screw Not include							

ASSEMBLY INSTRUCTIONS

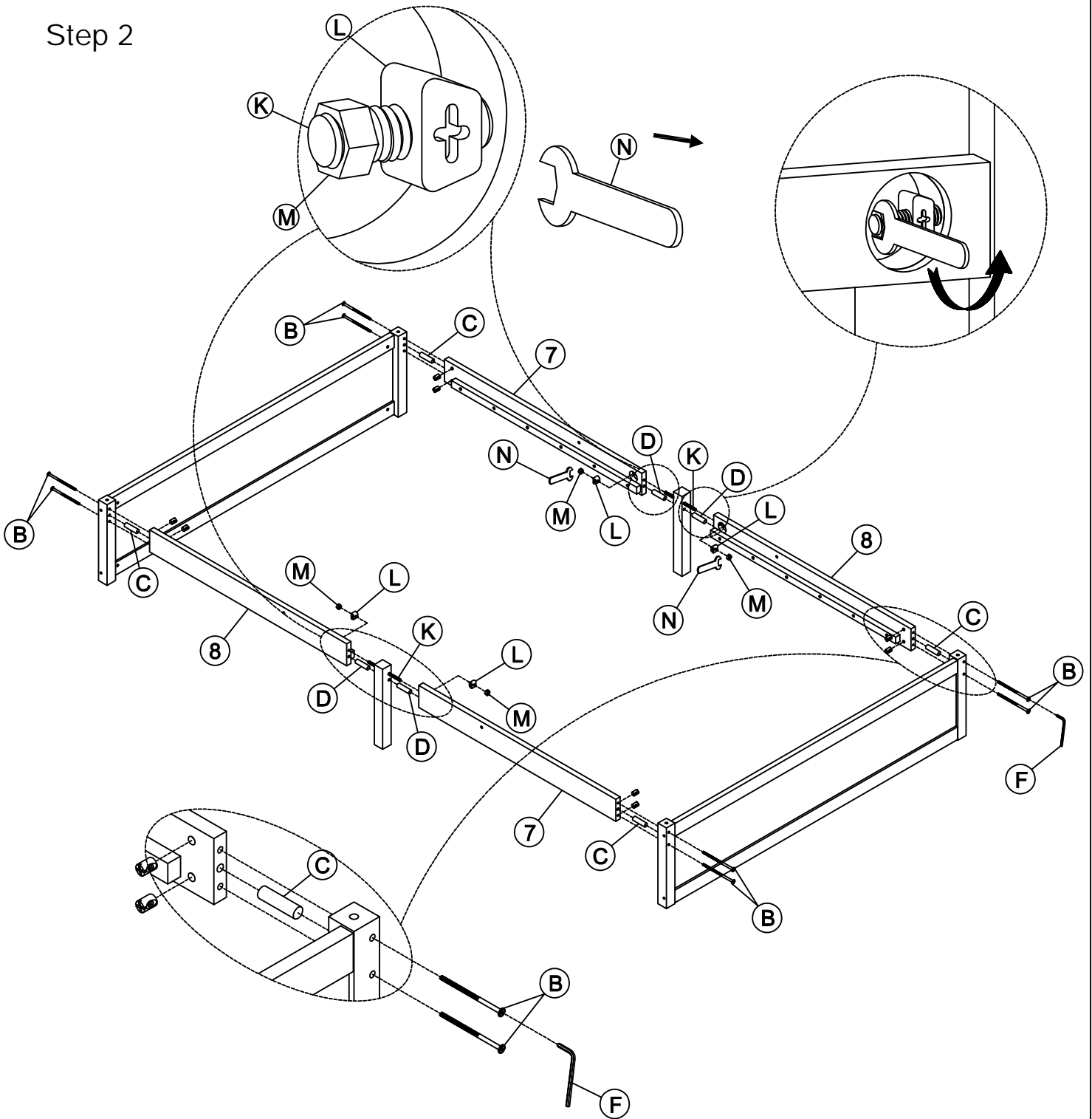
Step 1








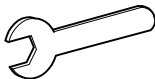


				C	Ø10x40		8PCS	
B	1/4x90			8PCS	F	4x58		1PC

ASSEMBLY INSTRUCTIONS

Step 2

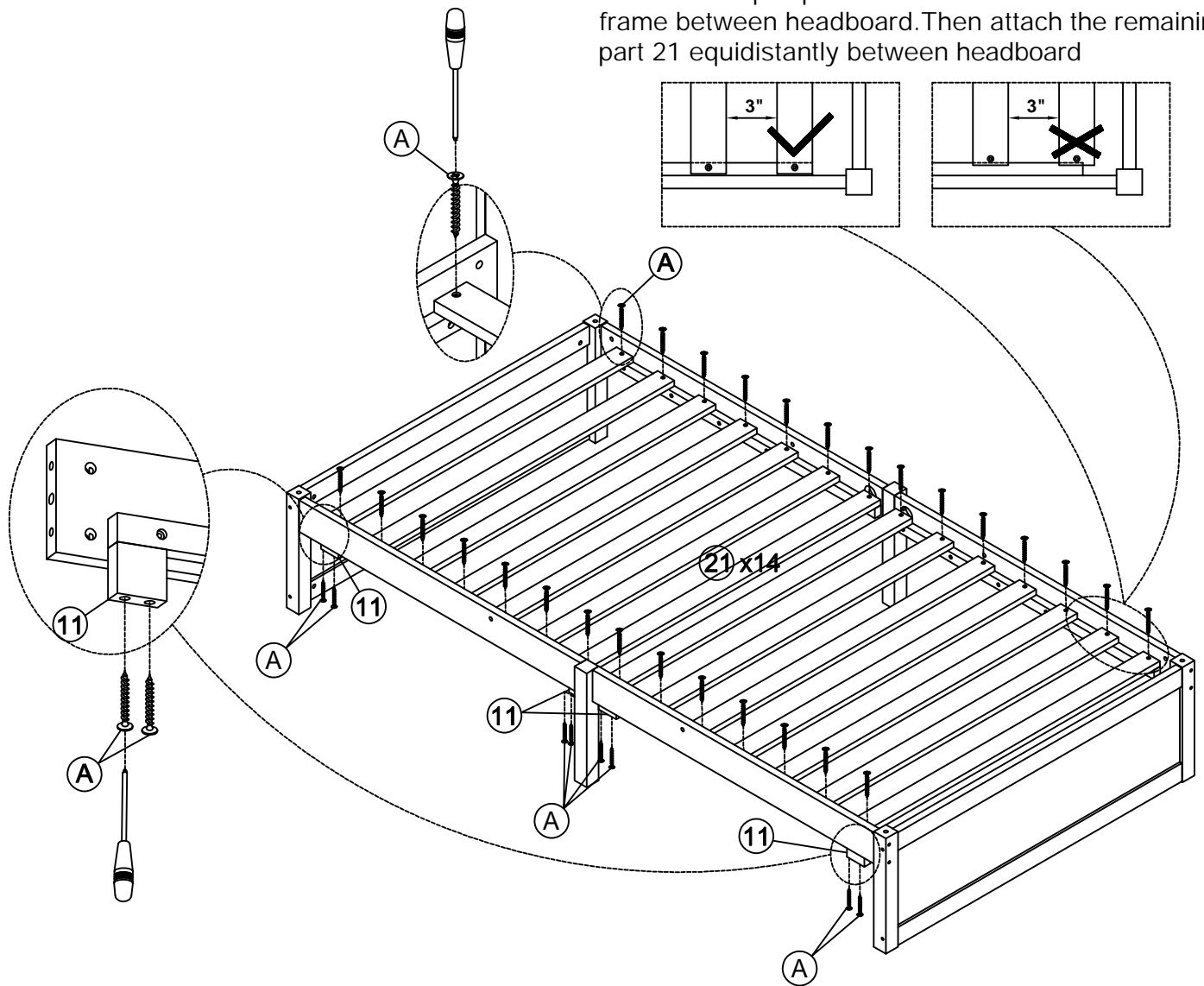


K	1/4x125		2PCS	D	Ø10x30		4PCS
C	Ø10x40		4PCS	L			4PCS
B	1/4x90		8PCS	M			4PCS
F	4x58		1PC	N			2PCS

ASSEMBLY INSTRUCTIONS

Step 3

First attach 2pcs part 21 to the front and end of the frame between headboard. Then attach the remaining part 21 equidistantly between headboard



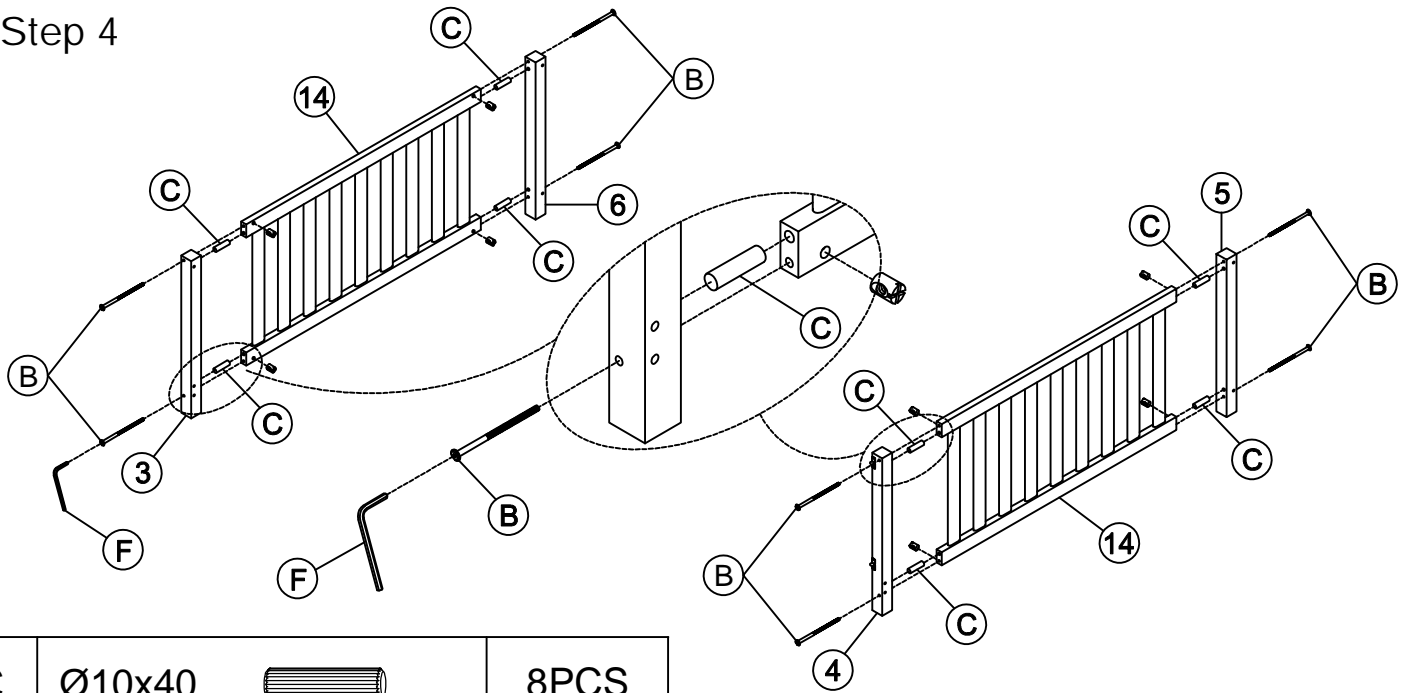
A Ø4x30






36PCS

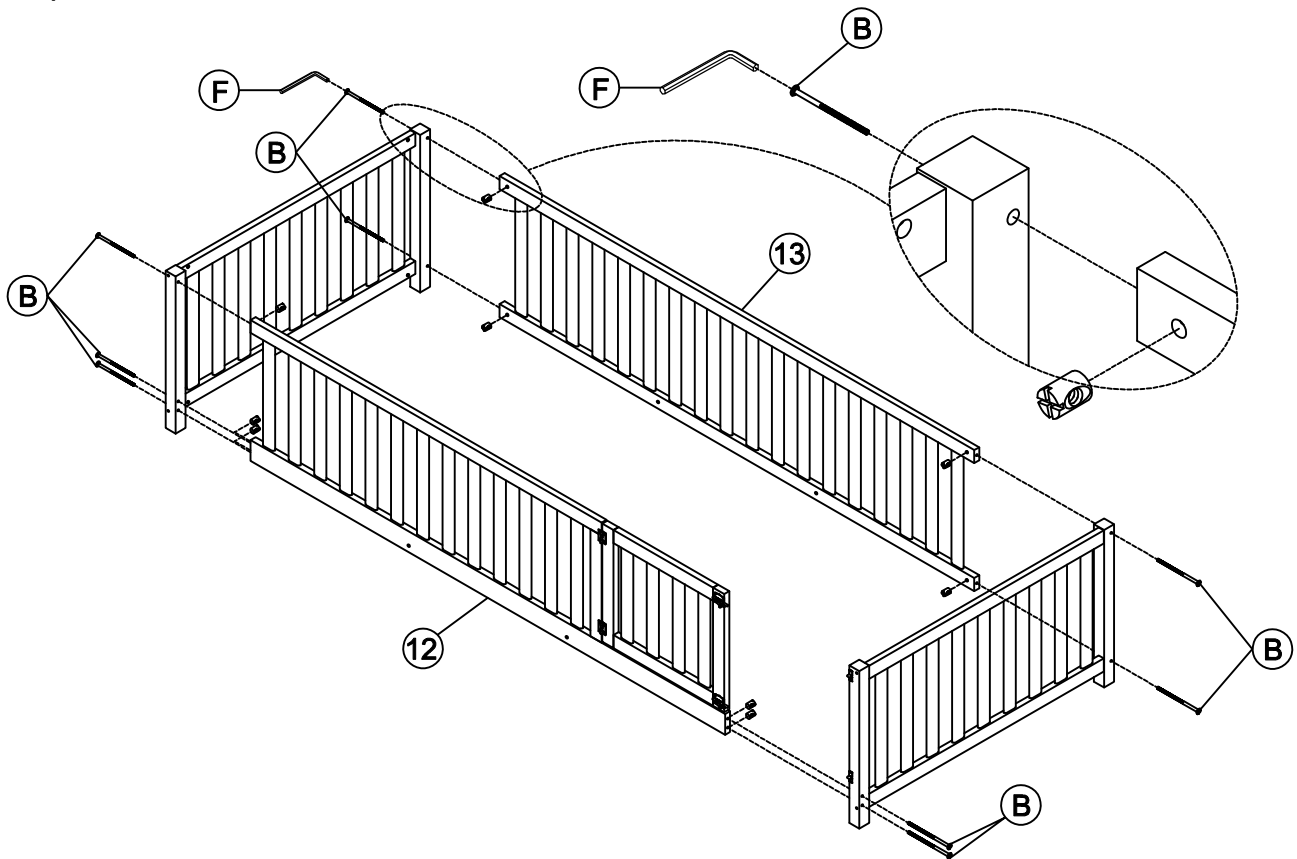
ASSEMBLY INSTRUCTIONS



Step 4



C	Ø10x40		8PCS				
B	1/4x90		8PCS	F	4x58		1PC

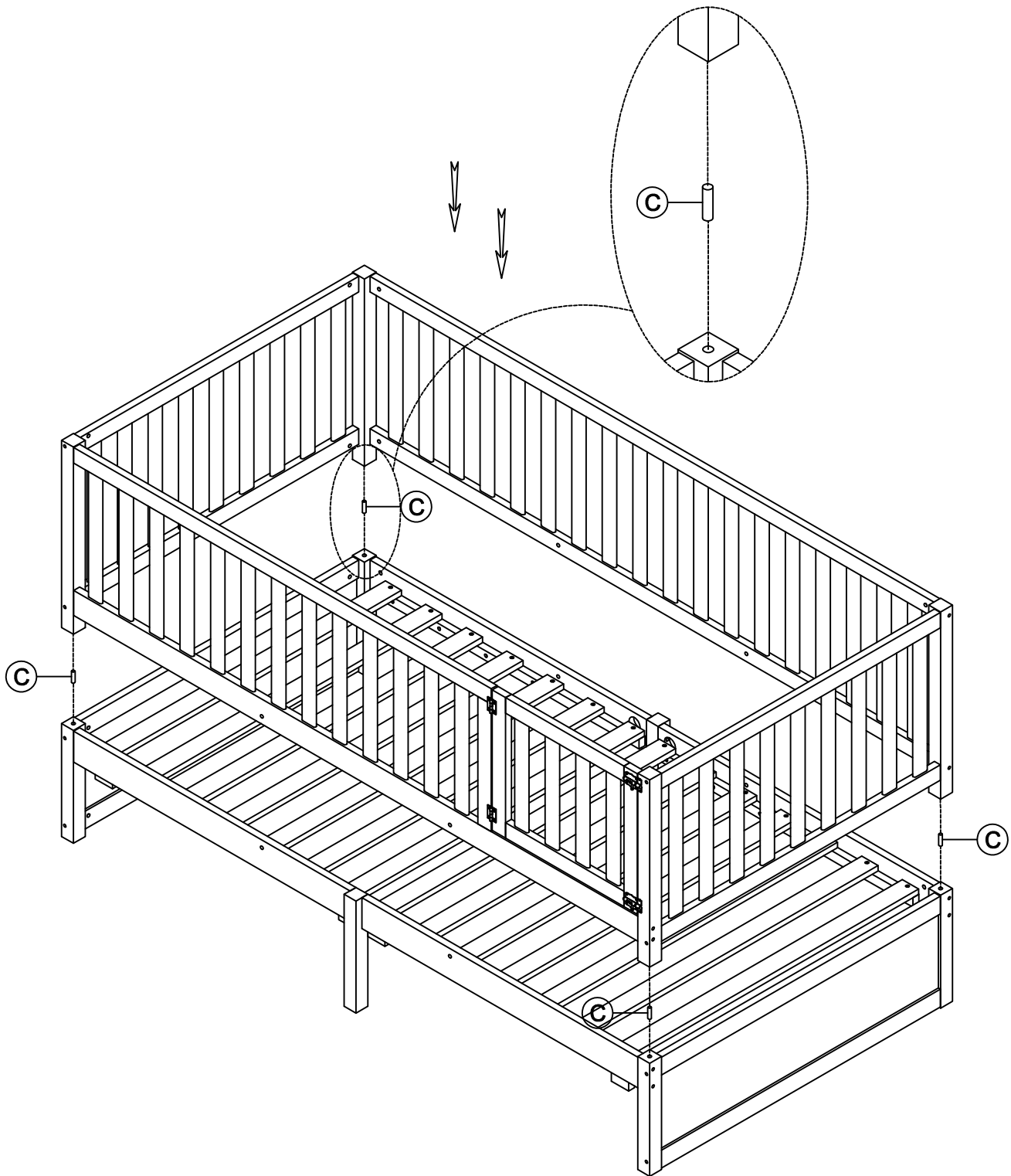
Step 5



B	1/4x90		9PCS	F	4x58		1PC
----------	--------	---	------	----------	------	---	-----

ASSEMBLY INSTRUCTIONS

Step 6



C

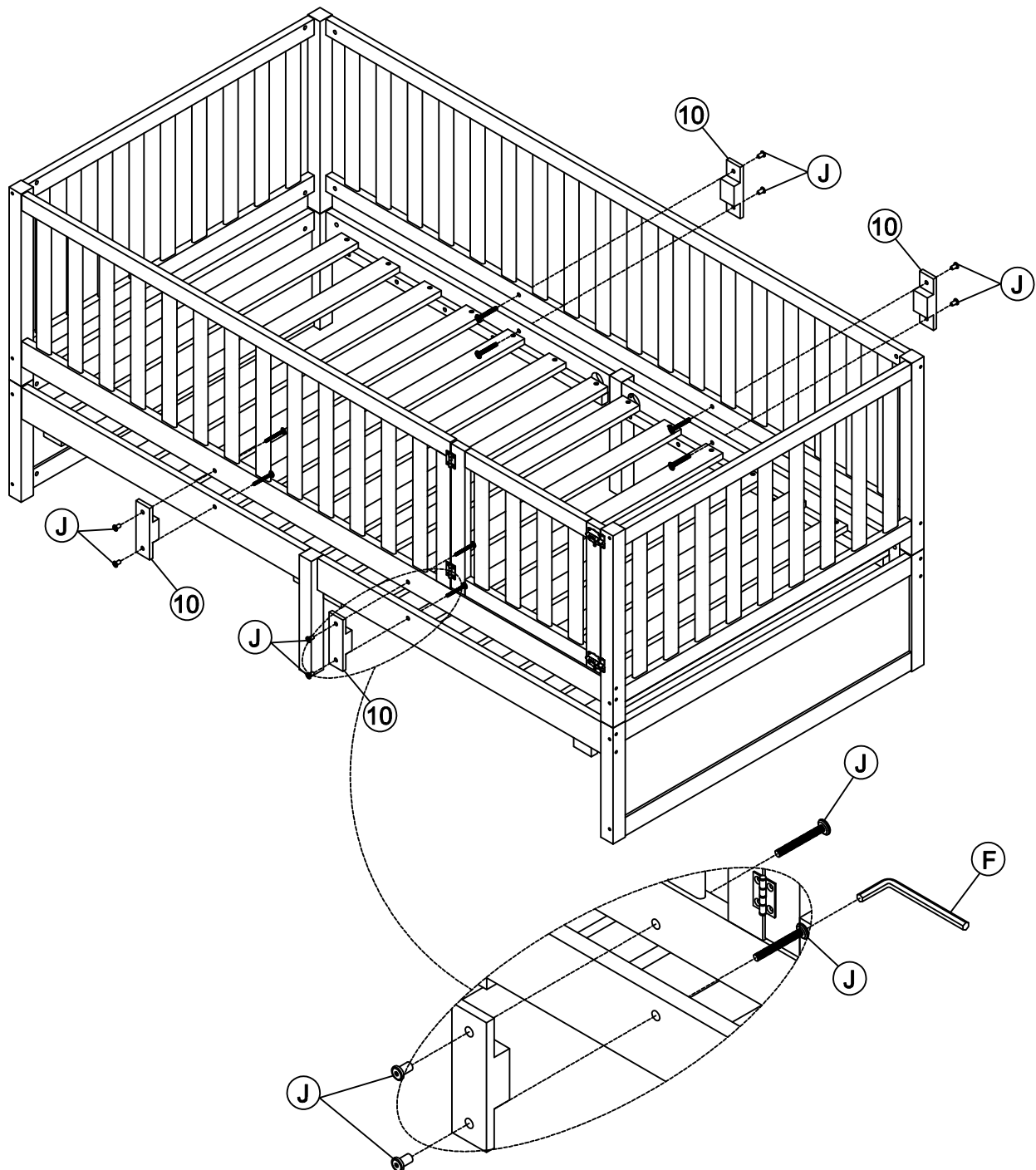
Ø10x40



4PCS

ASSEMBLY INSTRUCTIONS

Step 7



J 1/4x25



8PCS

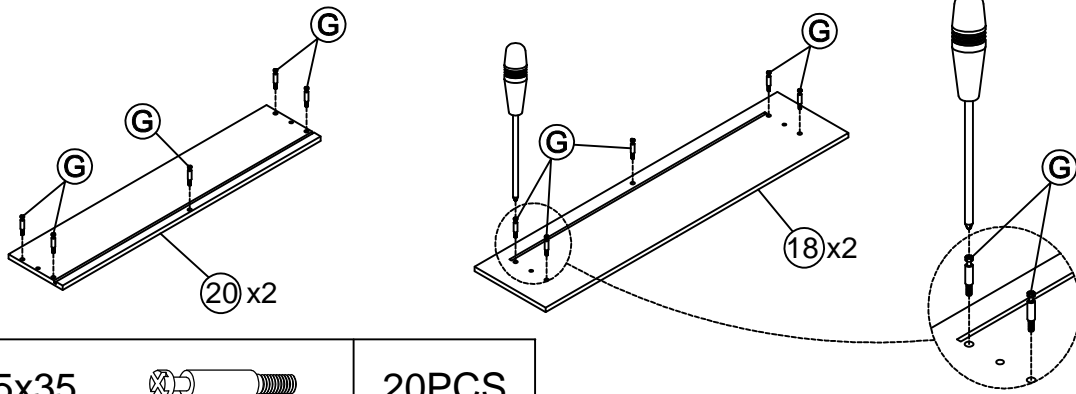
F 4x58



1PC

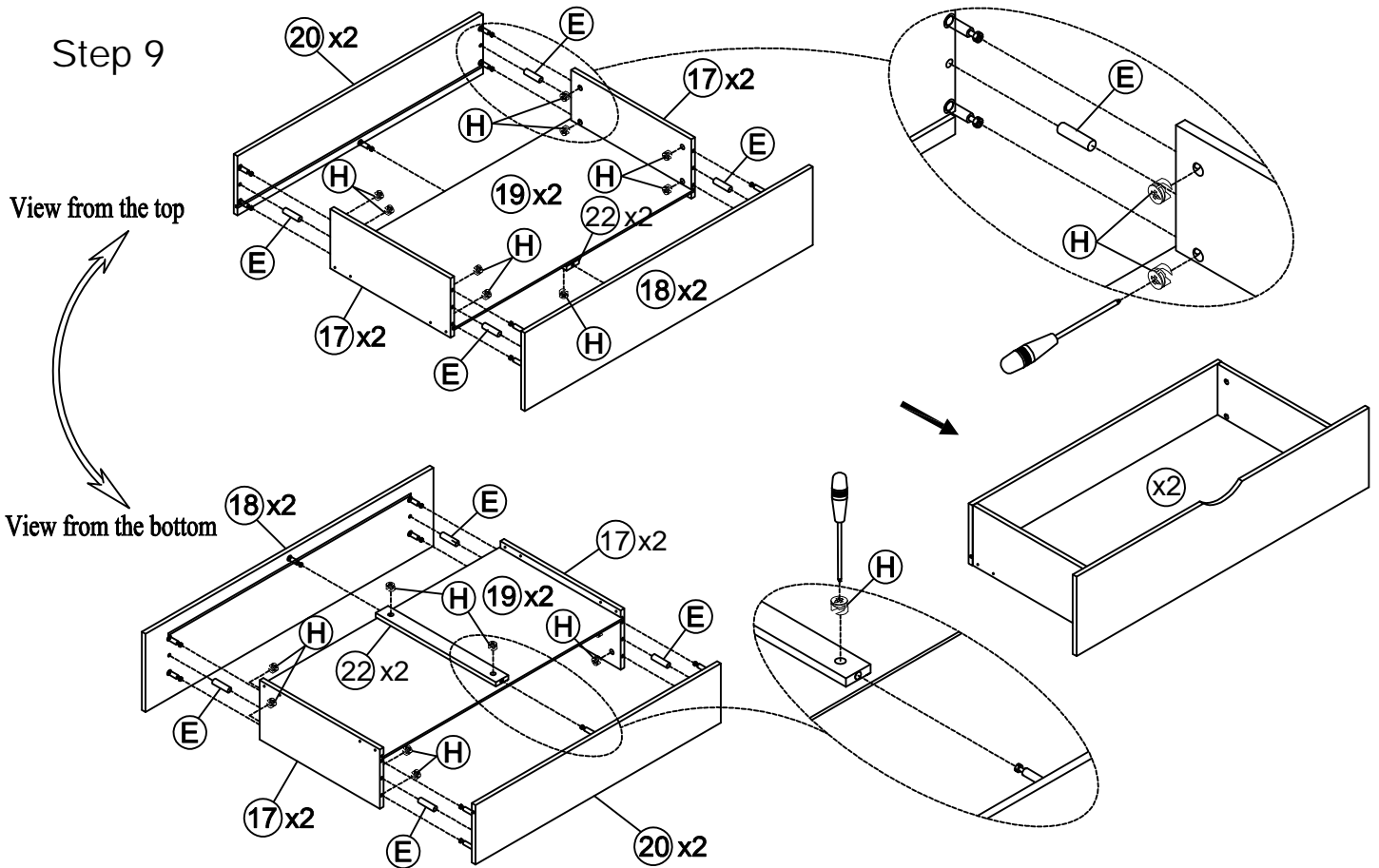
ASSEMBLY INSTRUCTIONS



Step 8



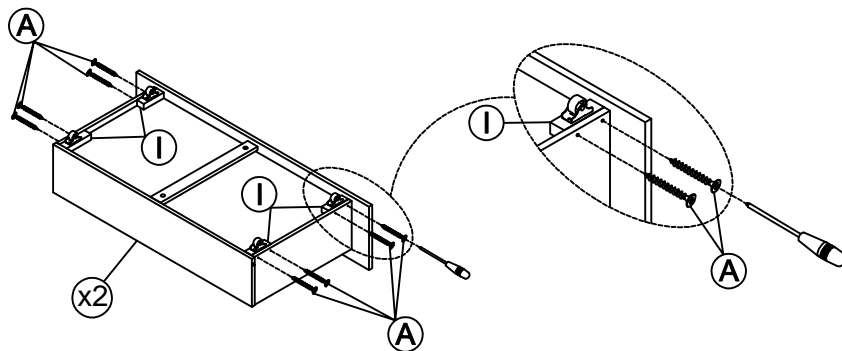
G	Ø6.5x35		20PCS
----------	---------	---	-------



Step 9



E	Ø8x30		8PCS	H	Ø12x10		20PCS
----------	-------	---	------	----------	--------	---	-------

Step 10



A	Ø4x30		16PCS	I		8PCS
----------	-------	---	-------	----------	---	------

ASSEMBLY INSTRUCTIONS

Step 11

