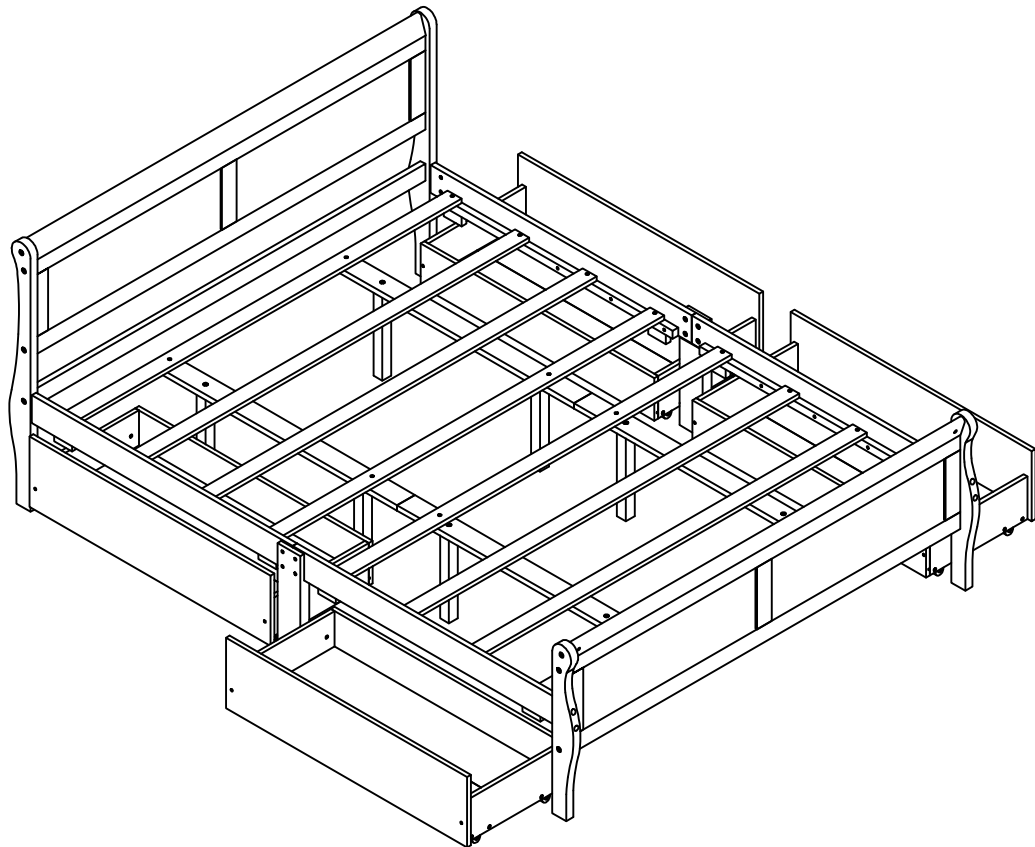


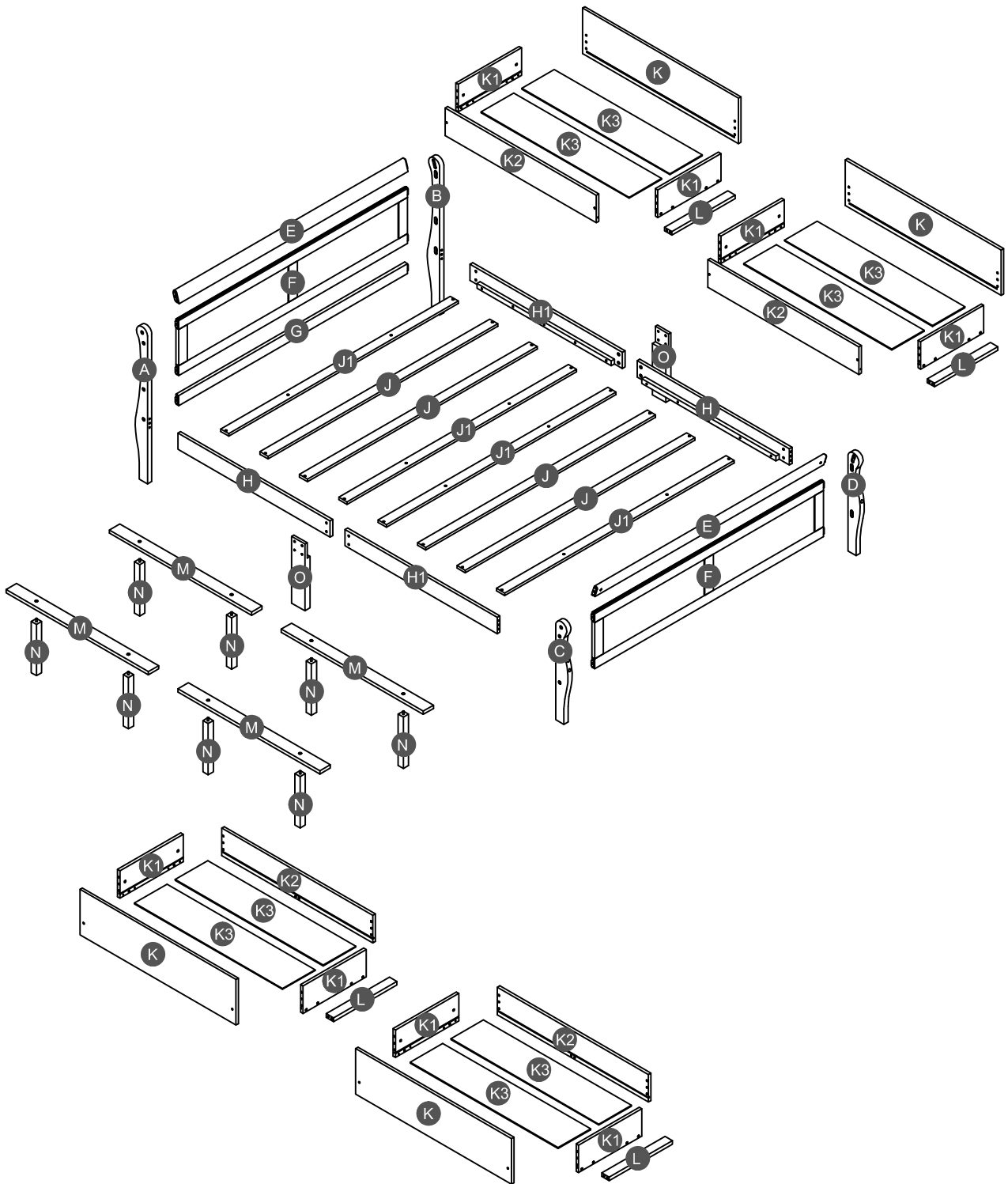
ASSEMBLY INSTRUCTIONS

QUEEN BED WITH 4 DRAWERS





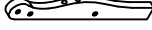

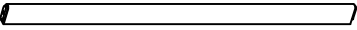
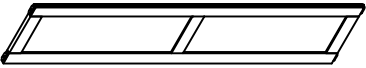
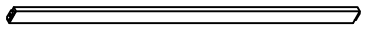



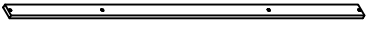
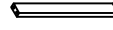
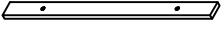
WF308635/WF308636

Detail View


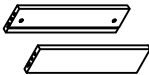
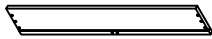
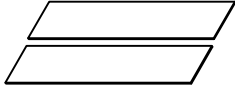
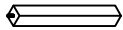
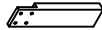


Part List

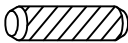

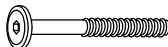
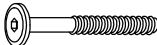


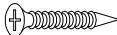
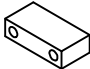
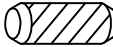
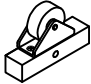

WF308635 + Hardware inside

<p>A</p>  <p>Leg HB (Left Front) - 1pc</p>	<p>B</p>  <p>Leg HB (Left Back) - 1pc</p>	<p>C</p>  <p>Leg FB (Right Front) - 1pc</p>
<p>D</p>  <p>Leg FB (Right Back) - 1pc</p>	<p>E</p>  <p>Upper horizontal bar HB/FB - 2pcs</p>	<p>F</p>  <p>Frame HB/FB - 2pcs</p>
<p>G</p>  <p>Lower horizontal bar HB - 1pc</p>	<p>H</p>  <p>Side rail - 2pcs</p>	<p>H1</p>  <p>Side rail - 2pcs</p>
<p>J</p>  <p>Slat - 4pcs</p>	<p>J1</p>  <p>Slats - 4pcs</p>	<p>L</p>  <p>Support drawer - 4pcs</p>
<p>M</p>  <p>Lower support slat - 4pcs</p>		

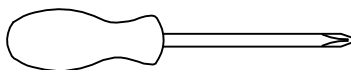
WF308636

<p>K</p>  <p>Front drawer panel - 4pcs</p>	<p>K1</p>  <p>Left / right drawer panel - 8pcs</p>	<p>K2</p>  <p>Back drawer panel - 4pcs</p>
<p>K3</p>  <p>Drawer bottom - 8pcs</p>	<p>N</p>  <p>Leg support - 8pcs</p>	<p>O</p>  <p>Divider leg support - 2pcs</p>

Hardware List WF308635

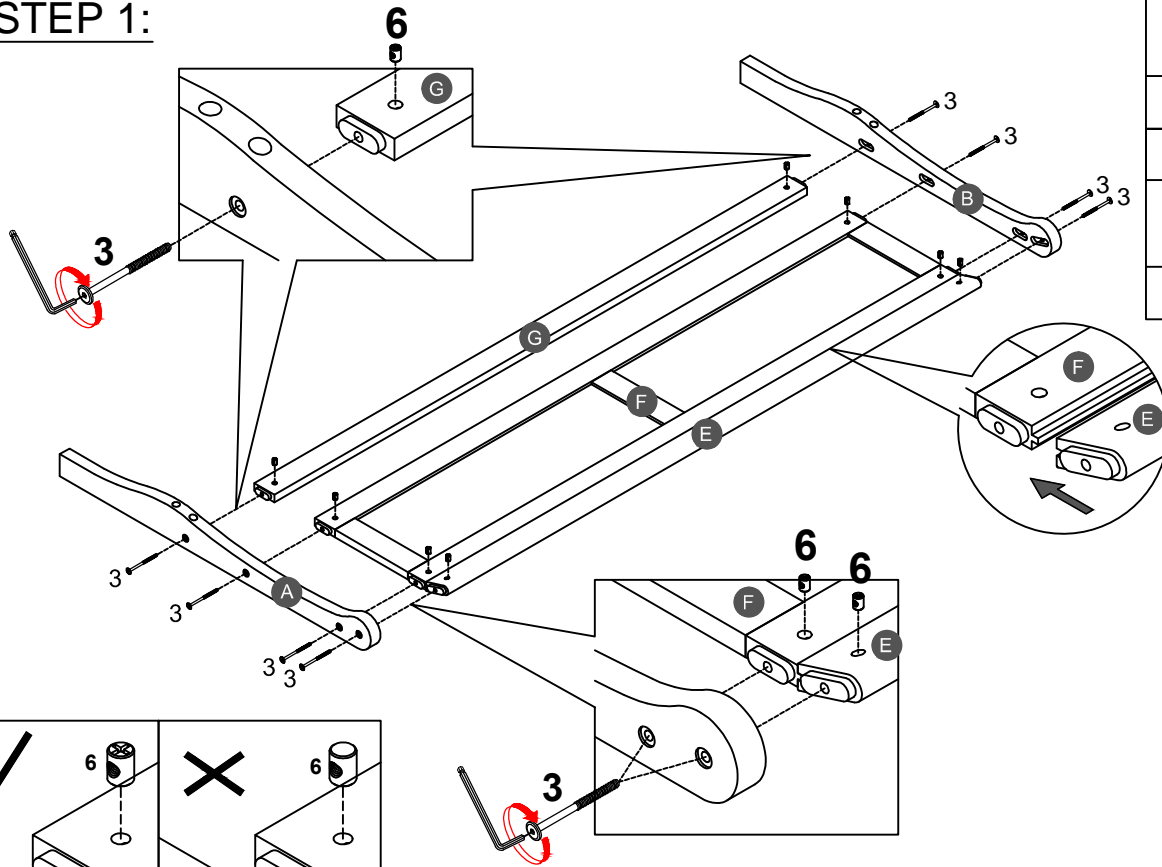
1  Ø8*30mm Wood dowel (52pcs)	2  (Ø15)1/4"*100mm Hex-Head bolts (8pcs)	3  (Ø15)1/4"*80mm Hex-Head bolts (14pcs)
4  (Ø12)1/4"*60mm Hex-Head bolts (16pcs)	5  (Ø12)1/4"*30mm Hex-Head bolts (8pcs)	6  1/4"*15 (9.5mm) Horizontal-Hole bolts(38pcs)
7  Ø4*30mm Wood screws (72pcs)	8  70*35*19 mm Drawer stopper (8pcs)	9  Ø10*20mm Wood dowel (16pcs)
10  100*54*20 mm Wheels (16pcs)	11  (1/4")4.5*100mm Allen key (1pc)	

ASSEMBLY TOOLS REQUIRED (NOT INCLUDED)

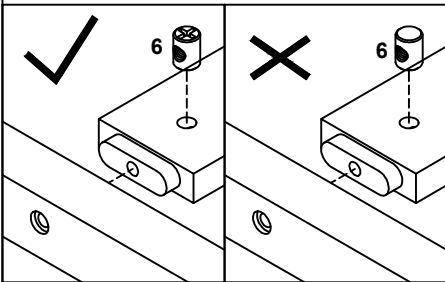


PLEASE BE CAREFUL DO NOT DAMAGE THE HOLE
POSITION WHEN YOU USE POWER TOOLS !

STEP 1:

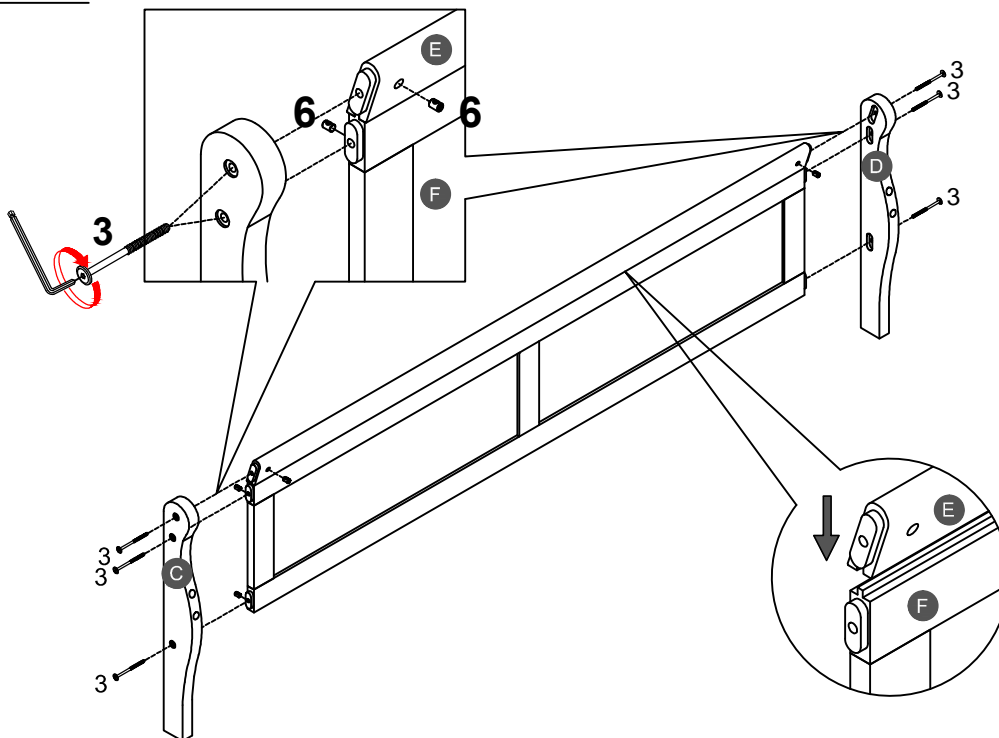


3	
	8PCS
6	
	8PCS




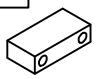
Note: Part 6 will face up with the "x" mark on it, otherwise it cannot be tightened

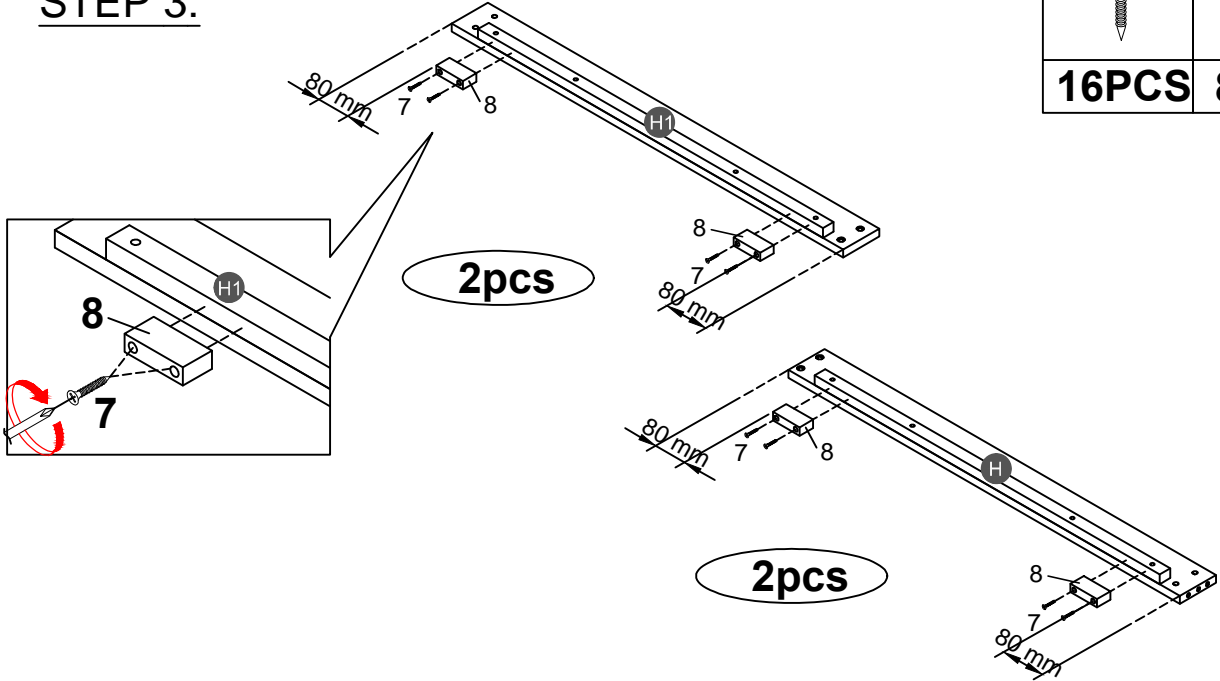
STEP 2:



3	
	6PCS
6	
	6PCS





STEP 3:

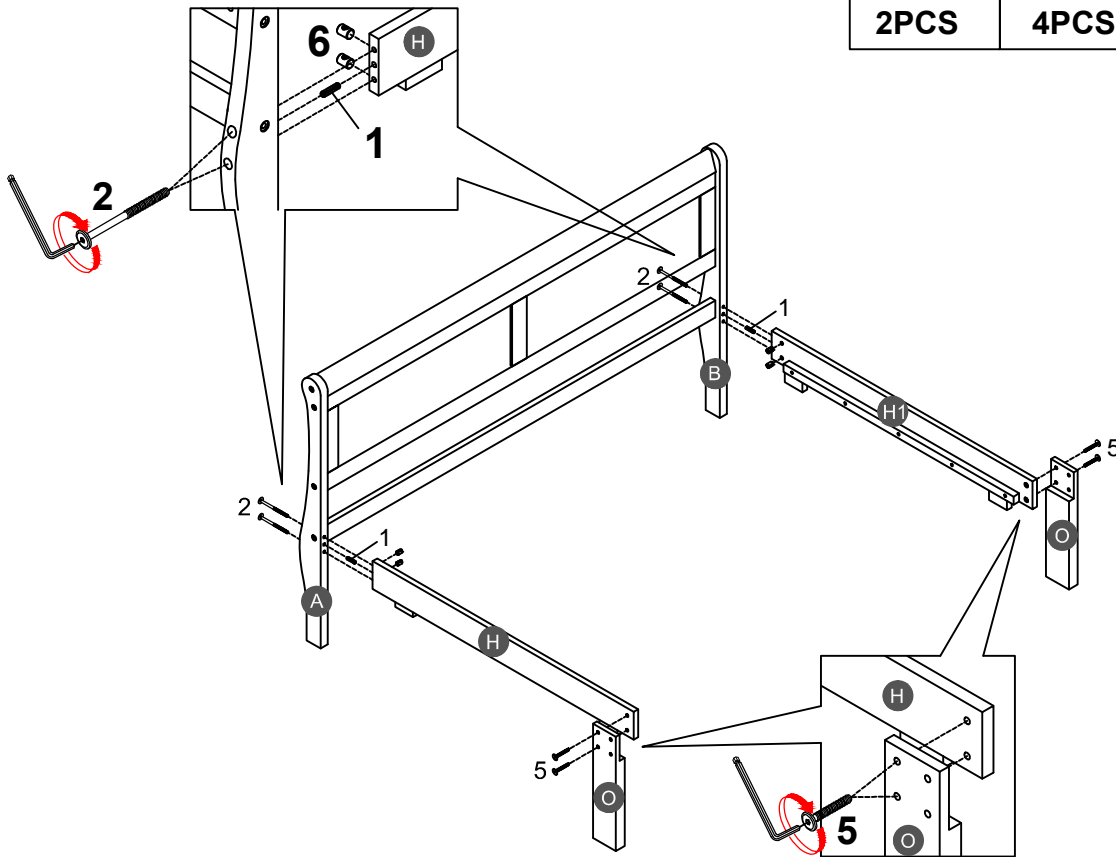
7		8	
16PCS		8PCS	



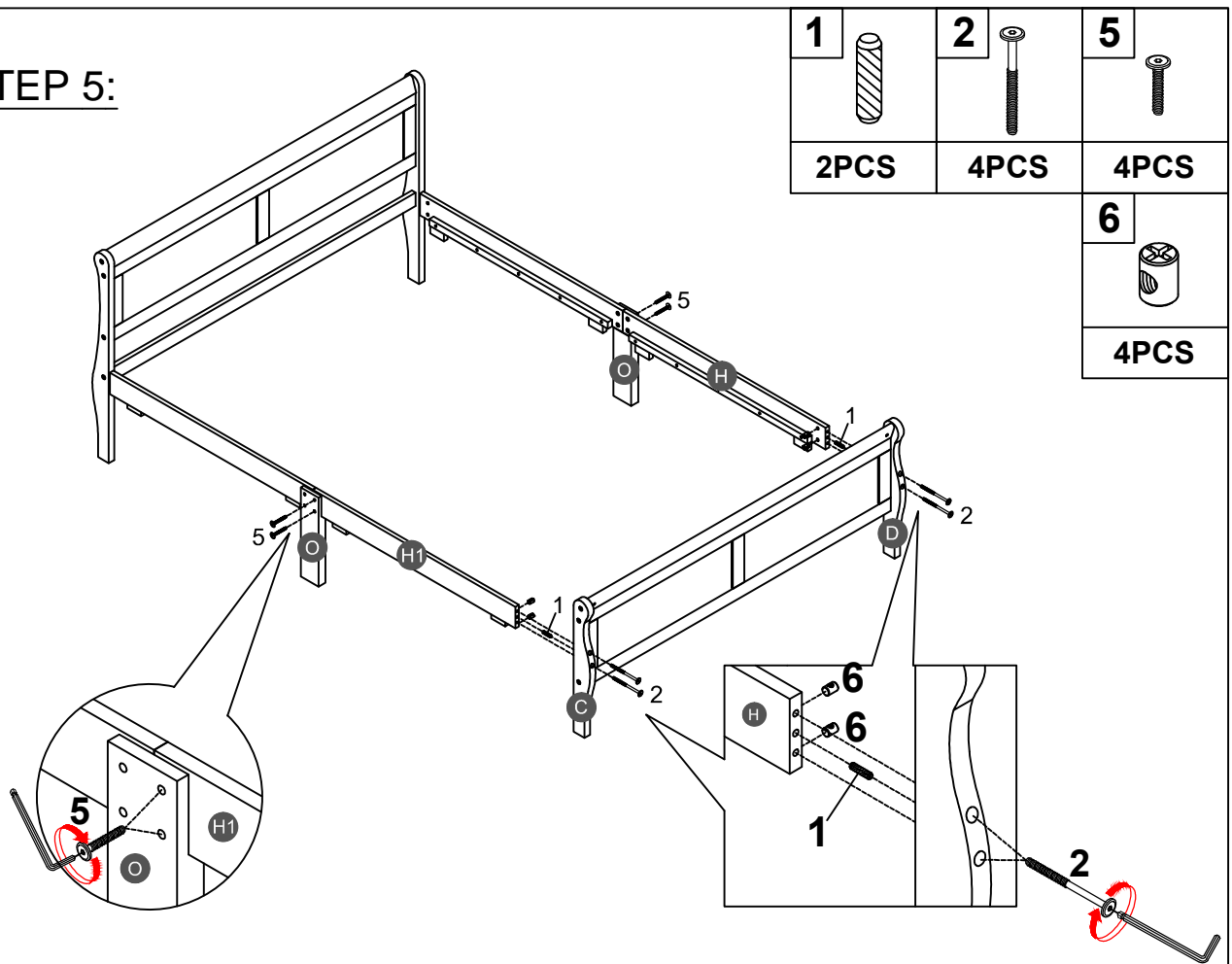
Drawer stopper (8) with lower side rail (H) by using screw (7).

STEP 4:

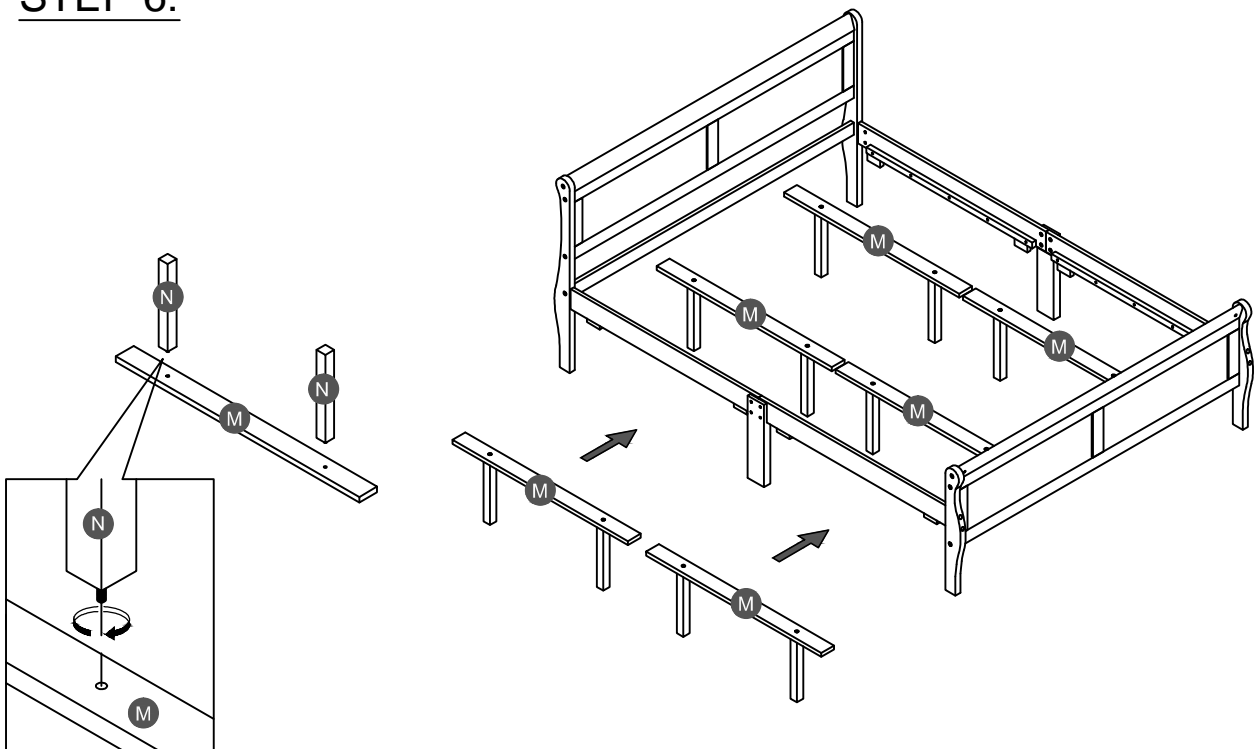
1		2		5	
2PCS		4PCS		4PCS	
					6
					
					4PCS



STEP 5:

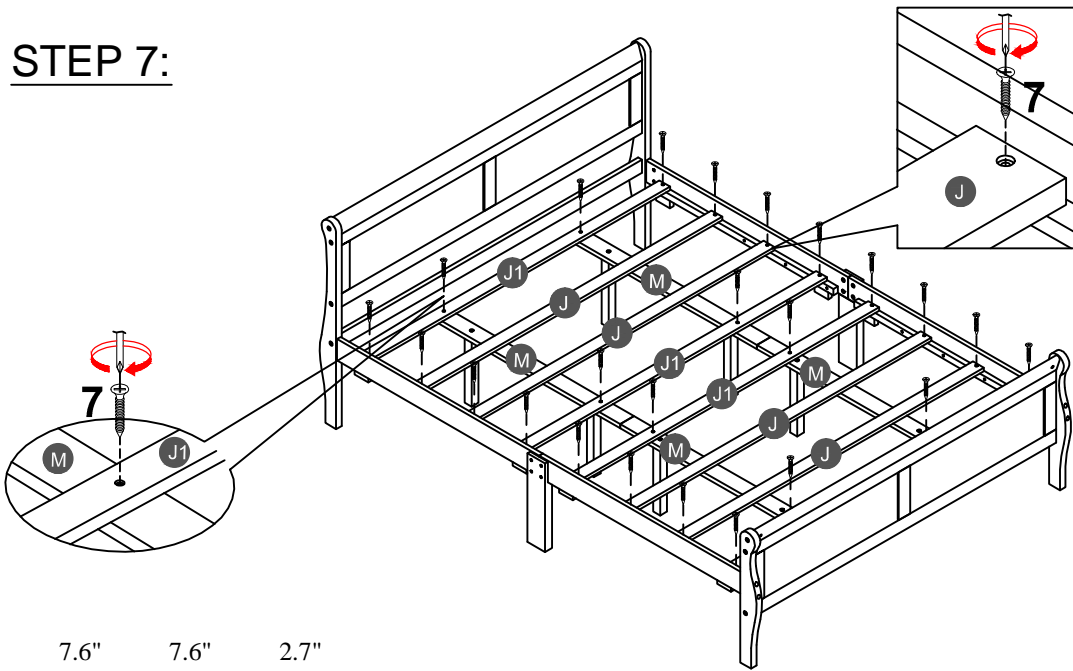


STEP 6:



Assembling leg support (N) with lower support slat (M) later rotate, Move support slat inside Full bunkbed.

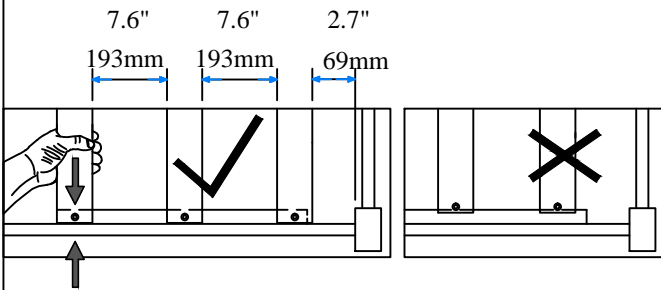
STEP 7:



7

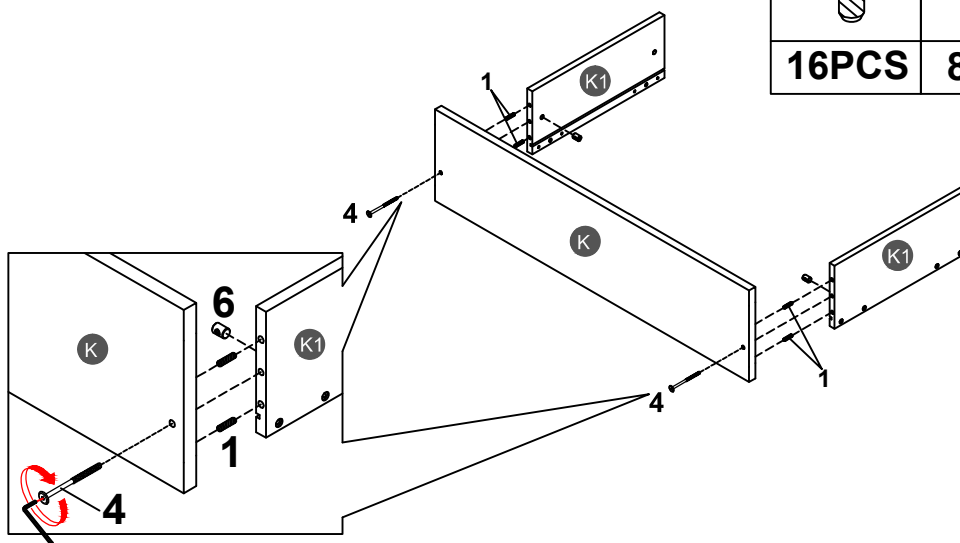


24PCS



NOTE: Please make sure the bed slats close to the side rail before locking the screws to avoid breakage. This step is required for both the left and right sides. Moreover, please do not lock the screws of the bed slats at the outermost edge to avoid damaging.

STEP 8:



1



16PCS

4



8PCS




6

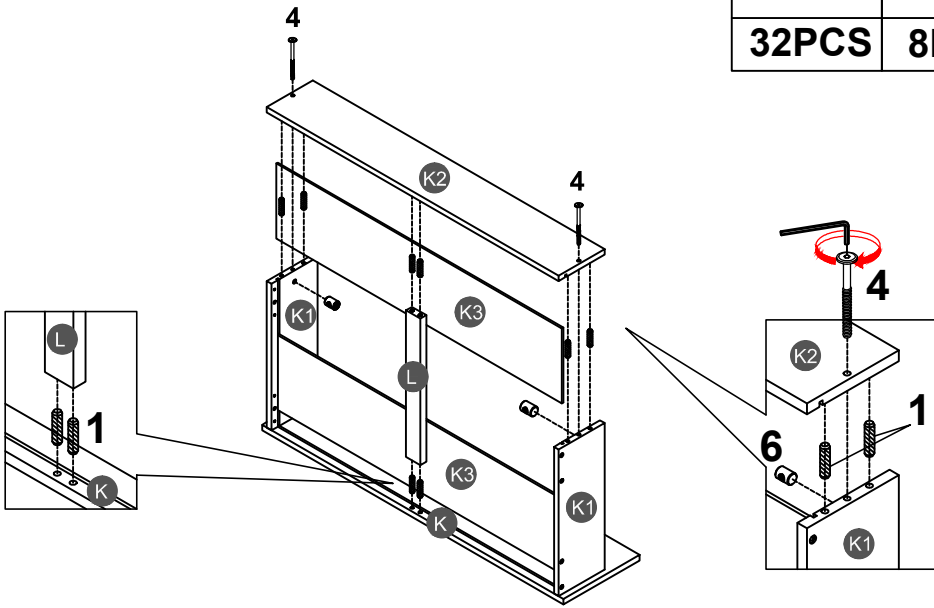


8PCS

4pcs



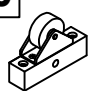
STEP 9:

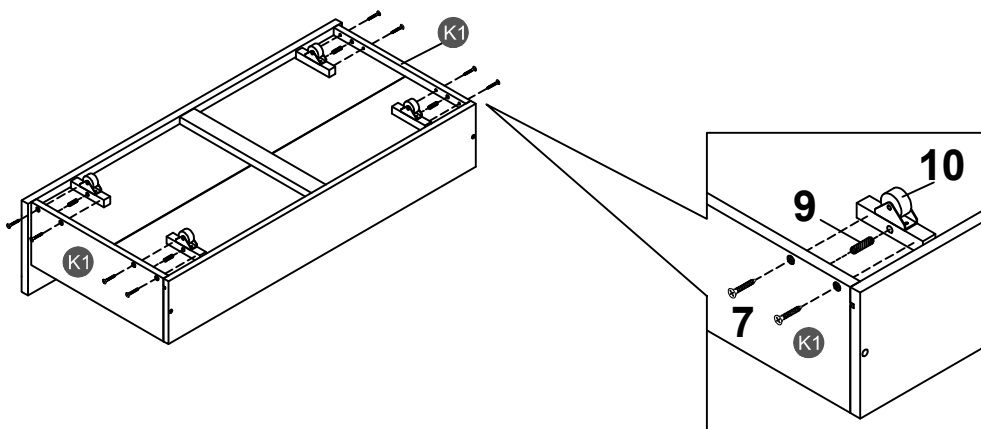
1 	4 	6 
32PCS	8PCS	8PCS



4pcs

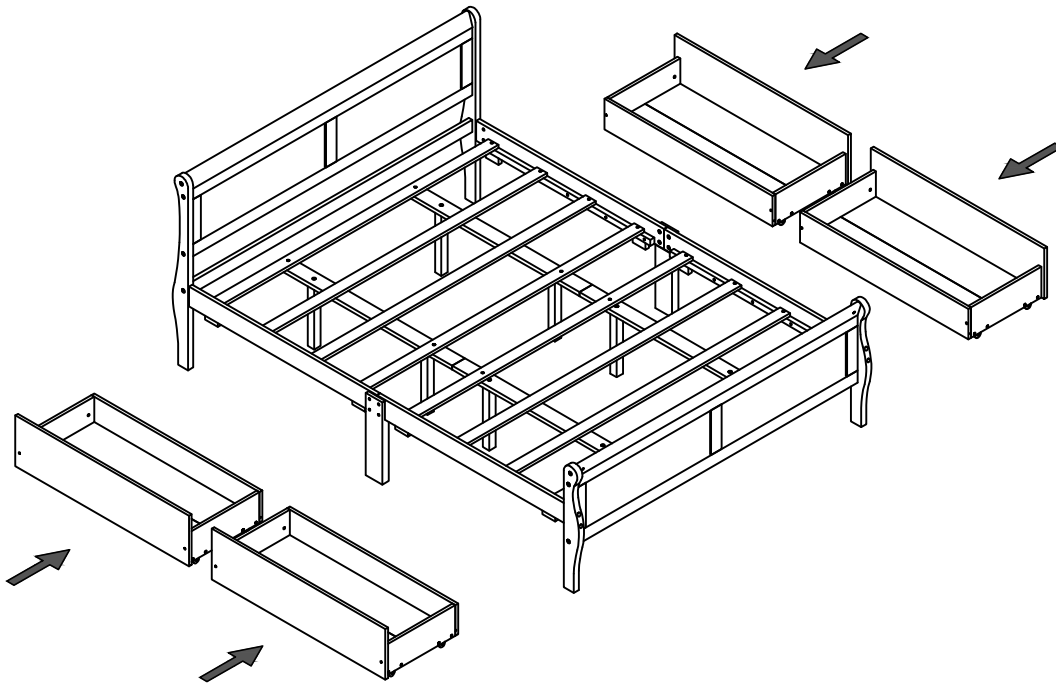
STEP 10:

7 	9 	10 
32PCS	16PCS	16PCS

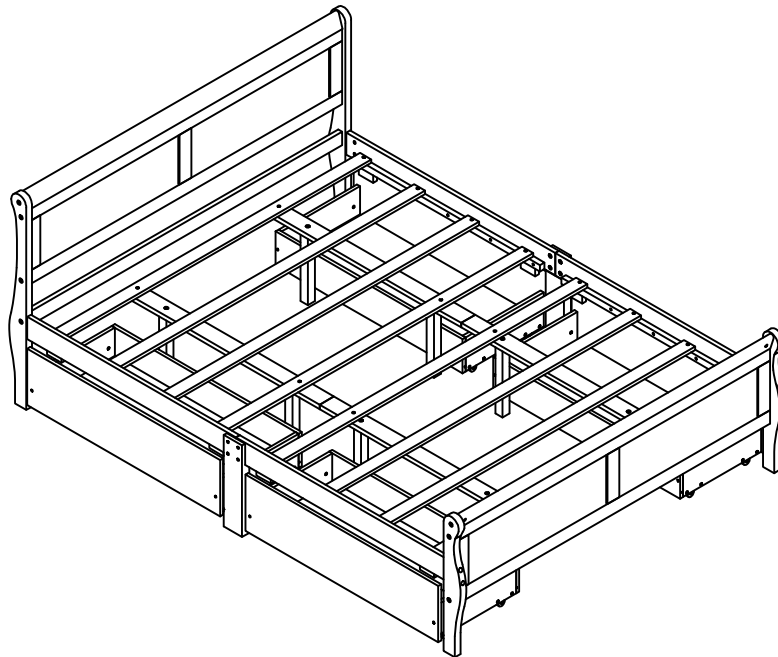


4pcs

STEP 11:



Push Drawer under the bottom of Bunk bed.



Make sure to tighten all the screws of the bed.