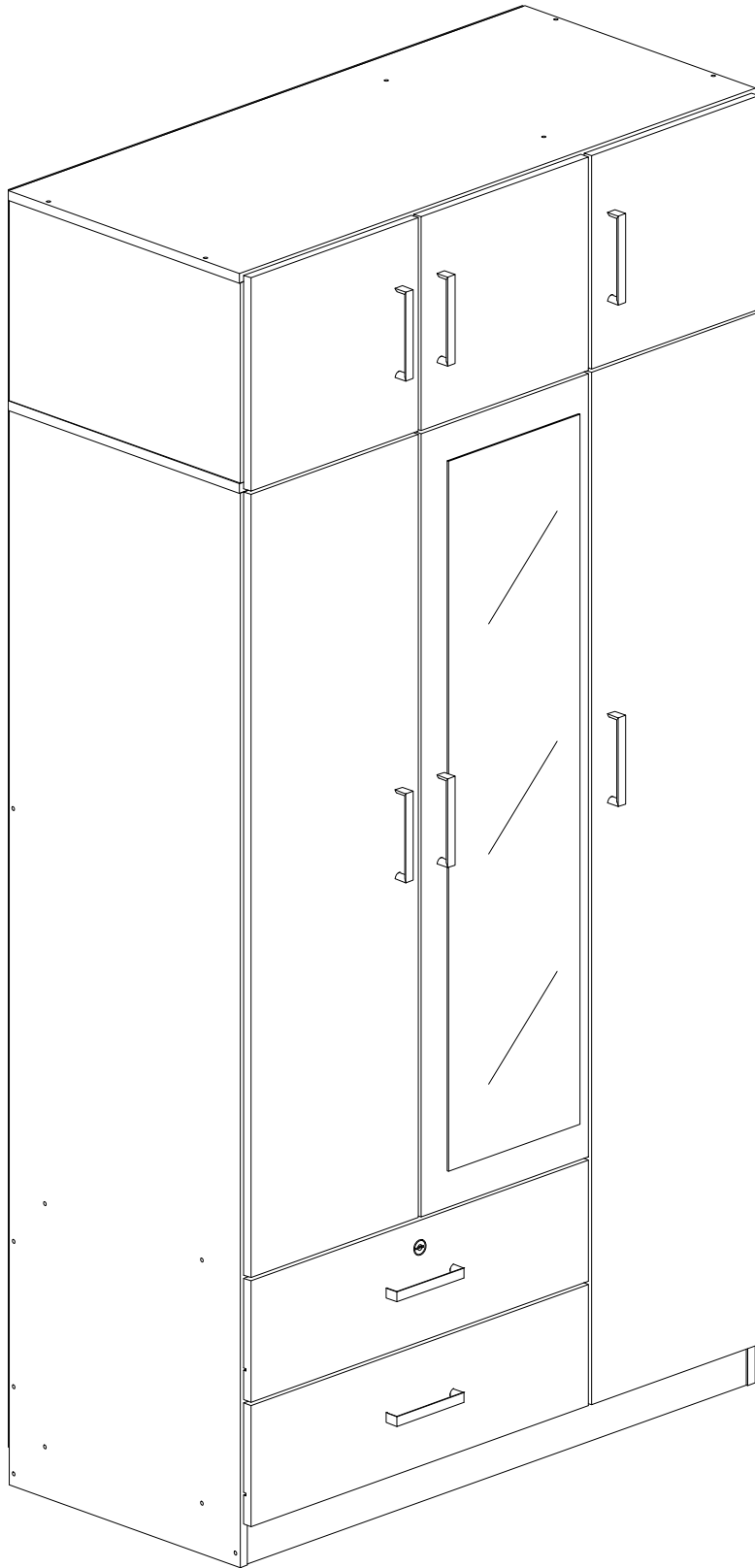


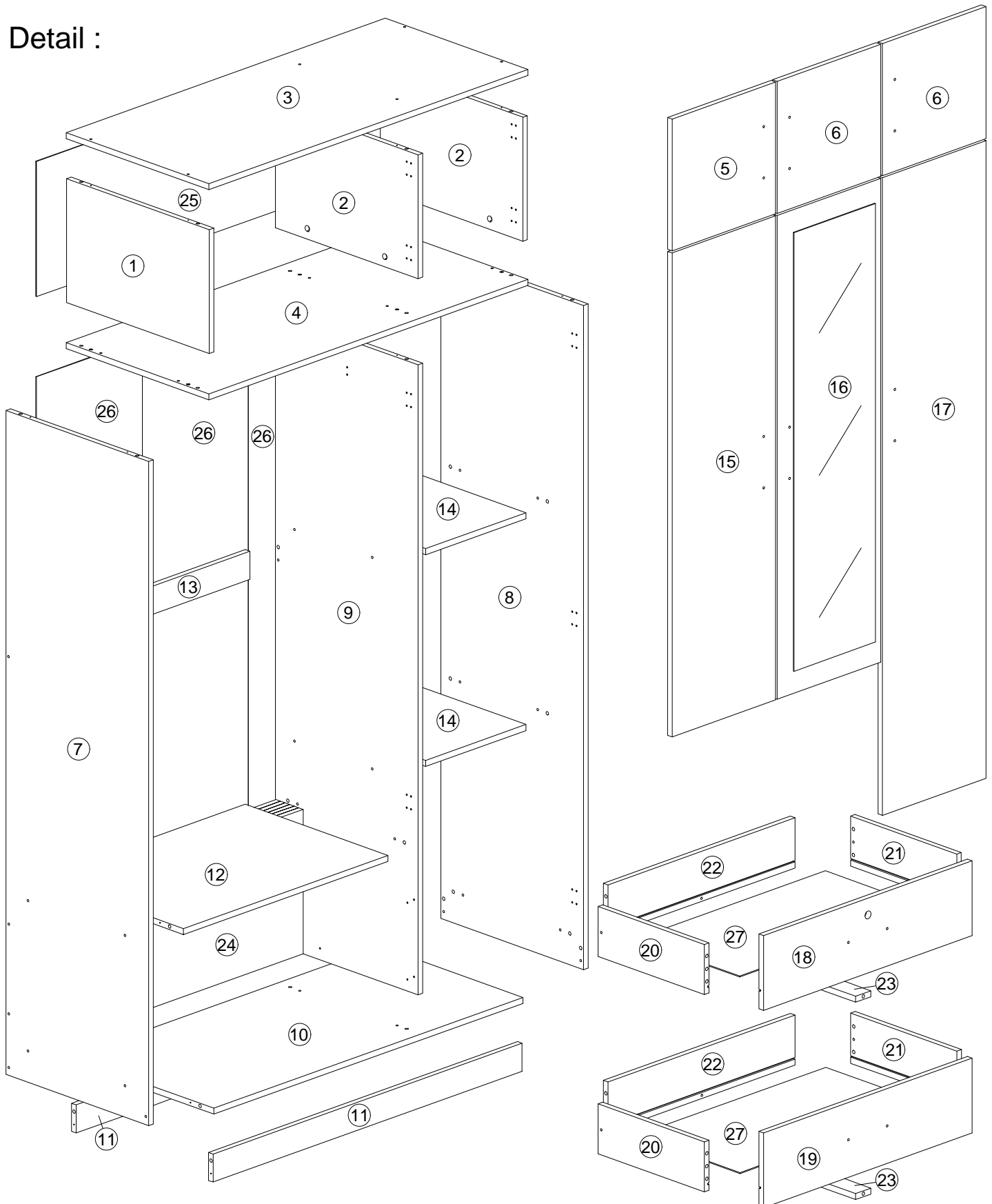
# Assembly Instruction

SKU CODE : WF326459 / WF326460 / WF326461



# Assembly Instruction

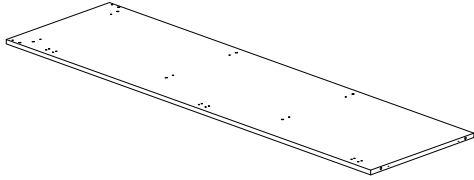
Detail :



# Assembly Instruction

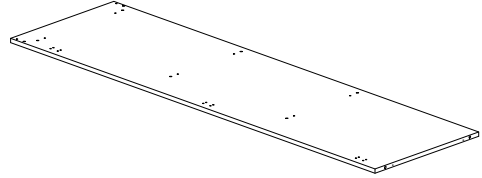
## Part List (WF326459)

⑦ X 1



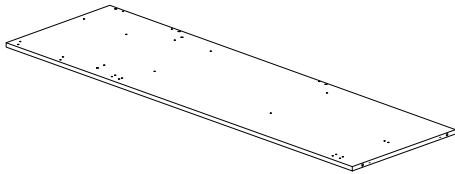
Side Panel Left - Down

⑧ X 1



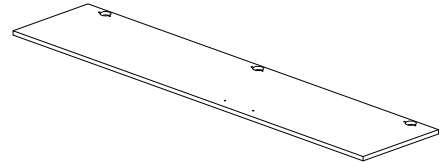
Side Panel Right - Down

⑨ X 1



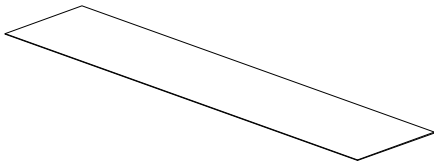
Center Panel - Down

⑰ X 1



Door Panel Big Right - Down

⑳ X 3

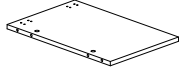


Back Panel - Down

# Assembly Instruction

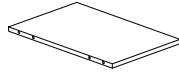
## Part List (WF326460)

① X 1



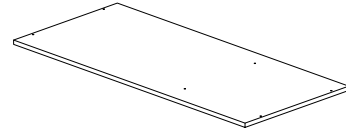
Side Panel Left - Up

② X 2



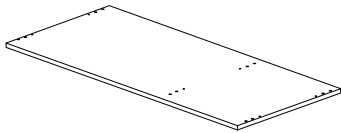
Side Panel Center Right - Up

③ X 1



Top Panel - Up

④ X 1



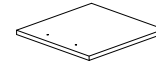
Top Partition Panel - Up

⑤ X 1



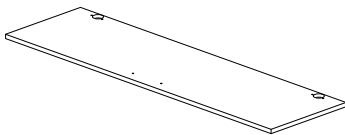
Door Panel Left Small - Up

⑥ X 2



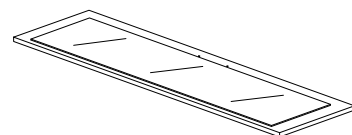
Door Panel Right Small - Up

⑮ X 1



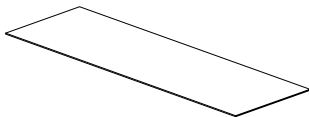
Door Panel Left Small - Down

⑯ X 1



Door Panel Right Small - Down

⑳ X 1

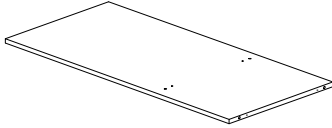


Back Panel - Up

# Assembly Instruction

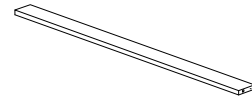
## Part List (WF326461)

⑩ X 1



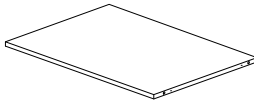
Bottom Panel - Down

⑪ X 2



Bottom Support Panel - Down

⑫ X 1



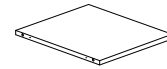
Partition Panel Left - Down

⑬ X 1



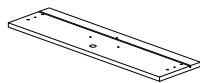
Back Support Panel - Down

⑭ X 2



Partition Panel Right Small - Down

⑱ X 1



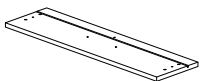
Drawer Front Lock Panel

⑳ X 2



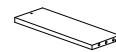
Drawer Side Left Panel

㉑ X 1



Drawer Front Panel

㉒ X 2



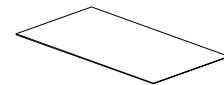
Drawer Side Right Panel

㉓ X 2



Drawer Back Panel

㉗ X 2



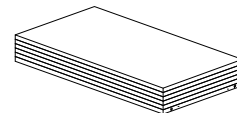
Drawer Bottom Panel

㉔ X 2



Drawer Support Panel

㉘ X 1







Back Panel Small - Down

# Assembly Instruction

## Hardware List (WF326461)

No.	SHAPE	DESCRIPTION	Qty.
A		8x25mm Dowel (Wood)	62Pcs
B		15mm Myfix Minifix	12Sets
C		M3.5x16mm Screw	116Pcs
D		M4x45mm Screw	46Pcs
E		V Bracket	2Pcs
F		L Bracket	1Pc
G		Handle KT179.128mm	8Pcs
H		M4x28mm Screw	16Pcs
I		Hinges 2/8	13Pcs
J		5/8 Nail With Pin	6Pcs
K		6/8 Power Pin	50Pcs
L		Drawer Lock	1Pc
M		Drawer Lock Support H10.9	1Pc
N		Drawer Slide (350mm)	2Sets
O		Aluminium Pipe(667mm)	1Pc
P		Sticker	17Pcs

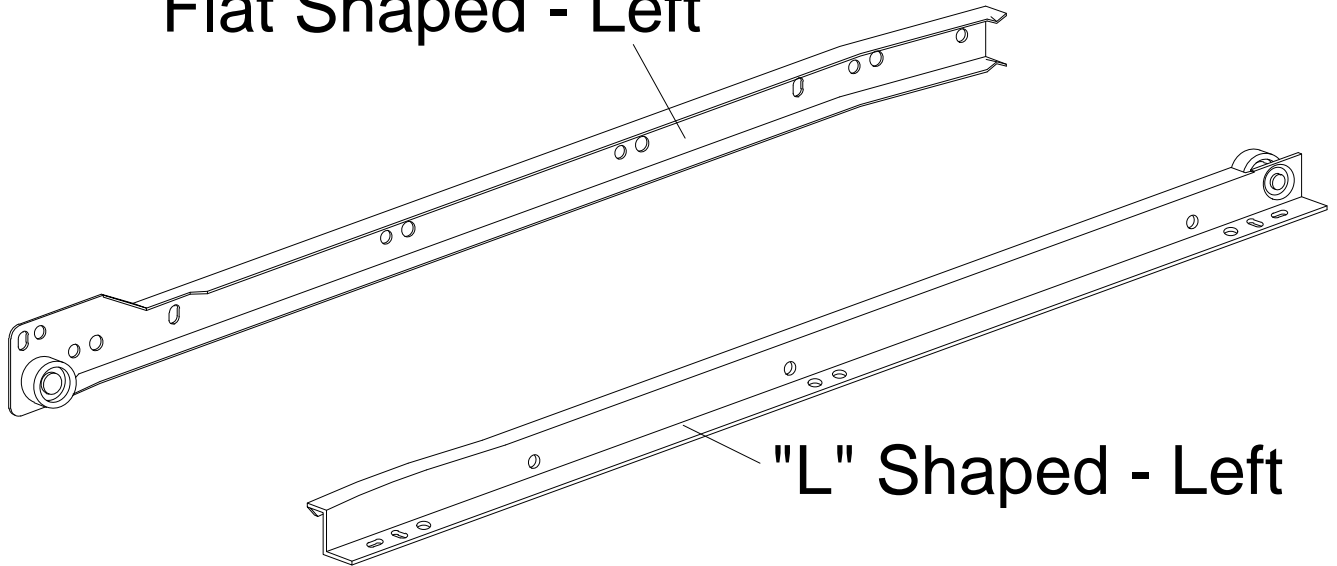
## Anti Tipping Hardware (WF326461)

No.	SHAPE	DESCRIPTION	Qty.
a		Mounting Bracket	2Pcs
b		TP 6# x 5/8" Screw	1Pc
c		TP 8# x 2" Screw	1Pc
d		Restraint Strap	1Pc

# Assembly Instruction

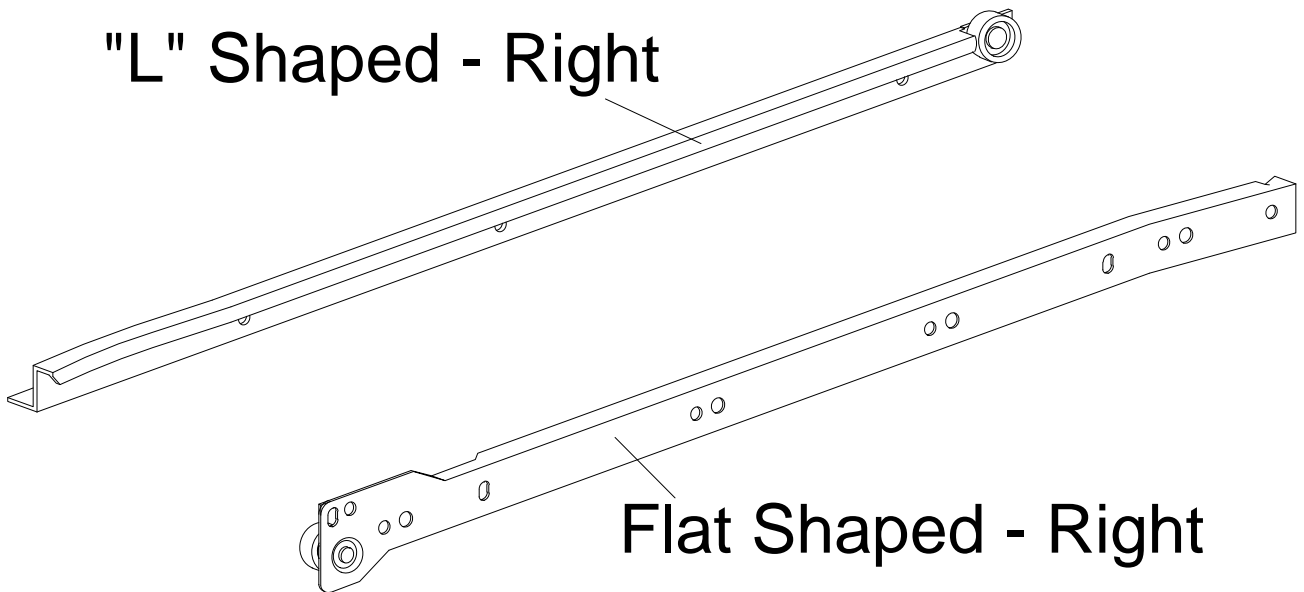
## Left Drawer Silde (N)

Flat Shaped - Left




## Right Drawer Silde (N)

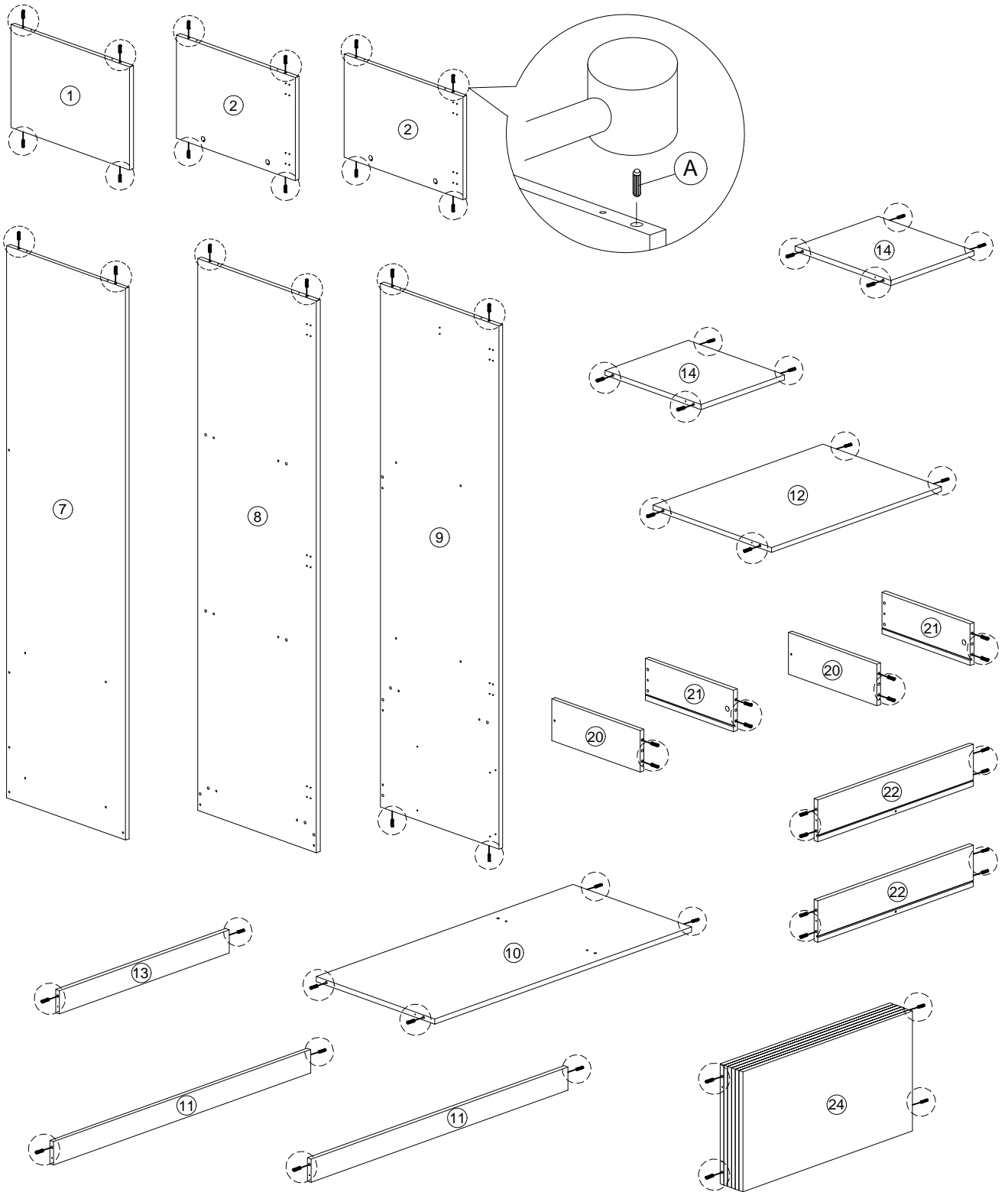
"L" Shaped - Right



# Assembly Instruction

## Step 1

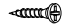

A		8x25mm Dowel (Wood)	62Pcs
---	---	---------------------	-------




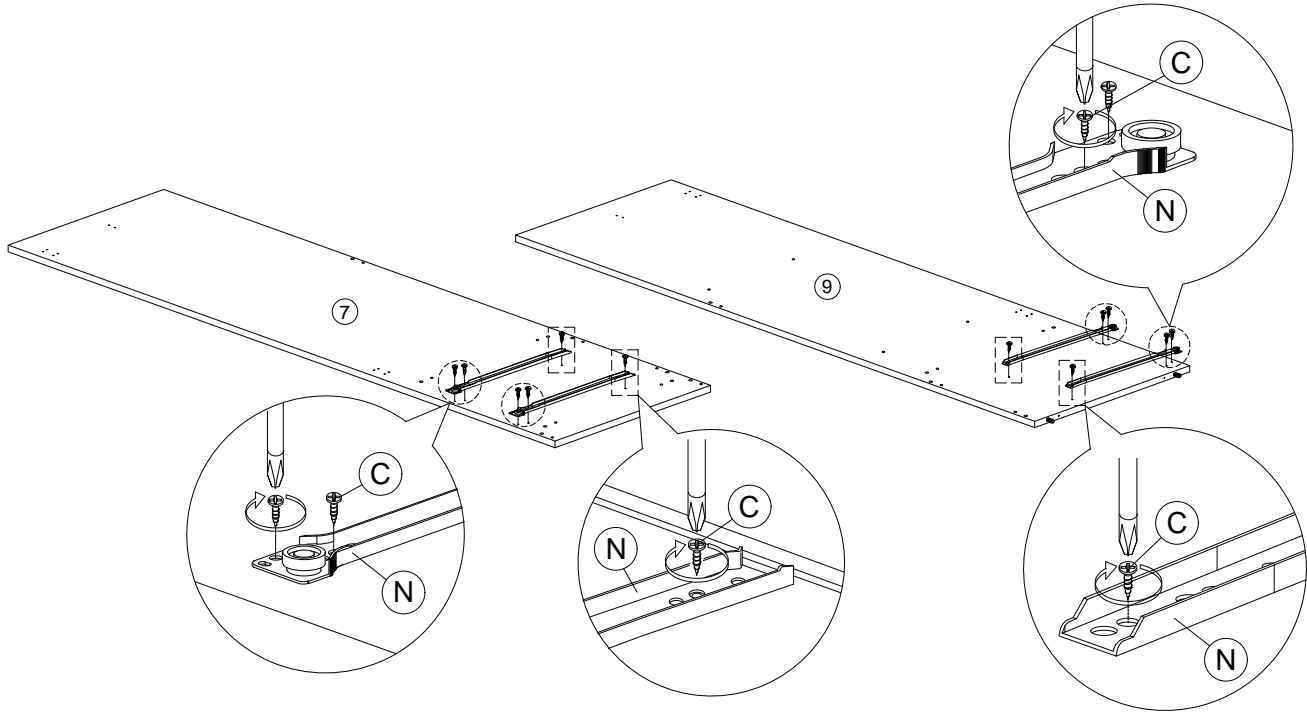


# Assembly Instruction

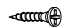

## Step 2

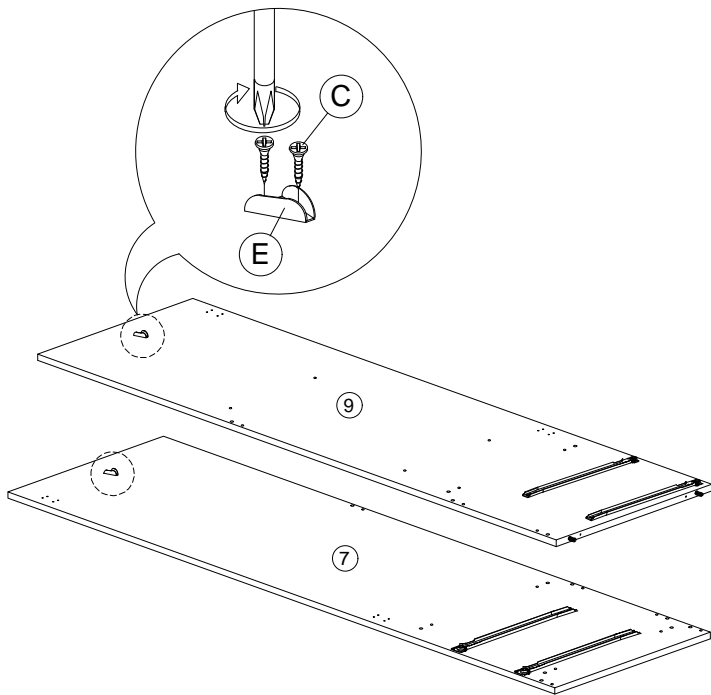
C		M3.5x16mm Screw	12Pcs
N		Drawer Slide 350mm - R	2Pcs

N		Drawer Slide 350mm - L	2Pcs
---	---	------------------------	------

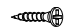



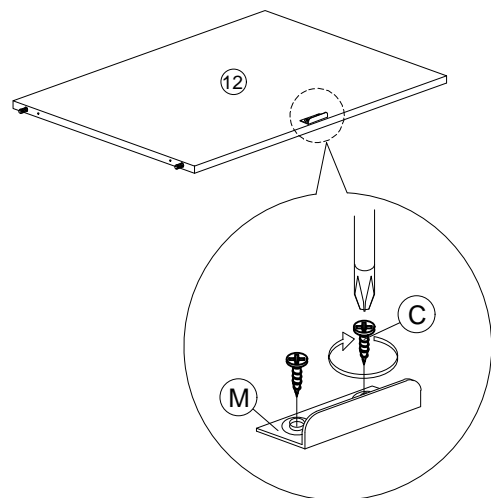
## Step 3

C		M3.5x16mm Screw	4Pcs
E		V Bracket	2Pcs



## Step 4

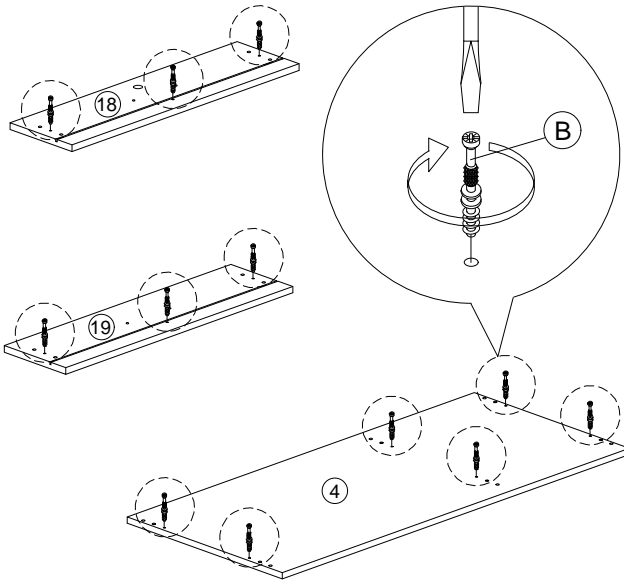
C		M3.5x16mm Screw	2Pcs
M		Drawer Lock Support H10.9	1Pc




# Assembly Instruction

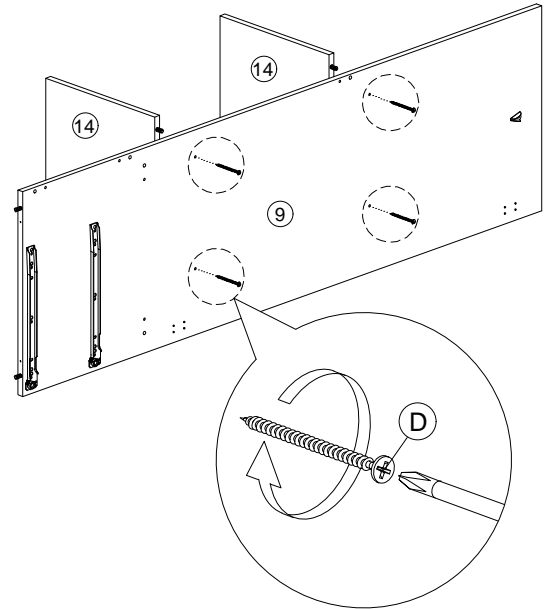
## Step 5

B  Myfix 12Pcs




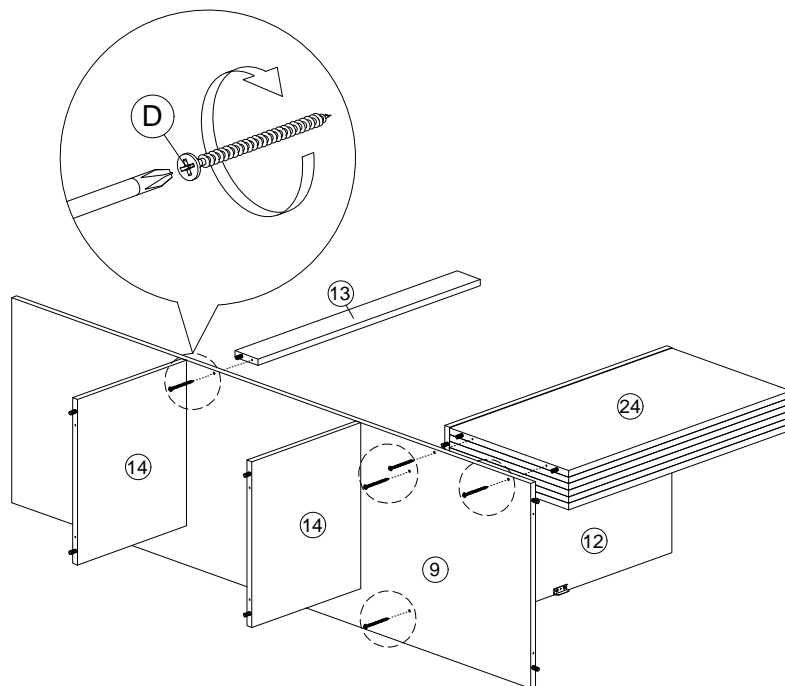
## Step 6

D  M4x45mm Screw 4Pcs




## Step 7

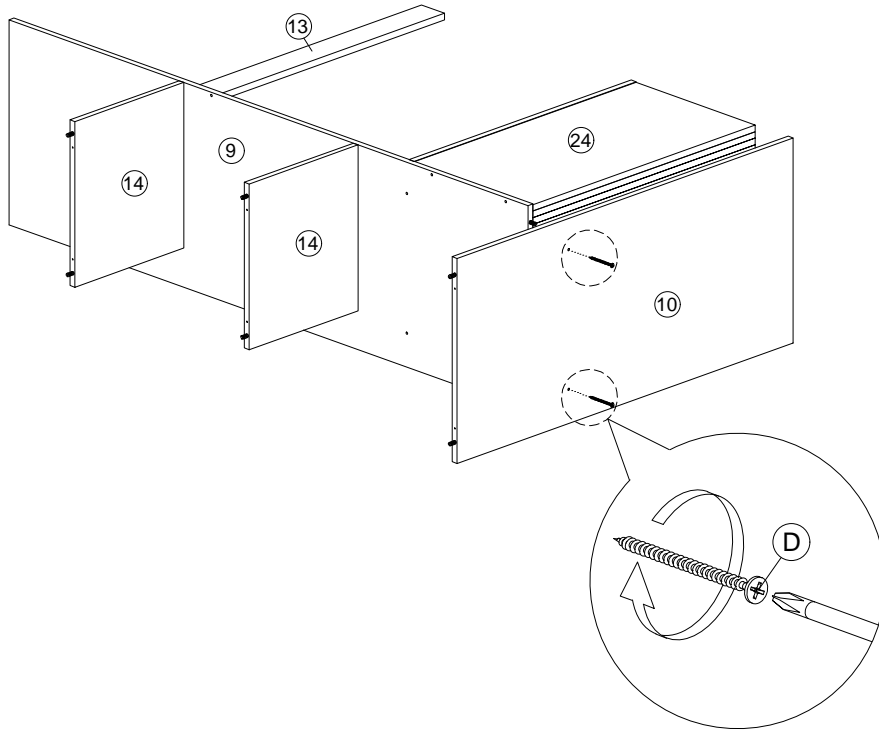
D  M4x45mm Screw 5Pcs




# Assembly Instruction

## Step 8

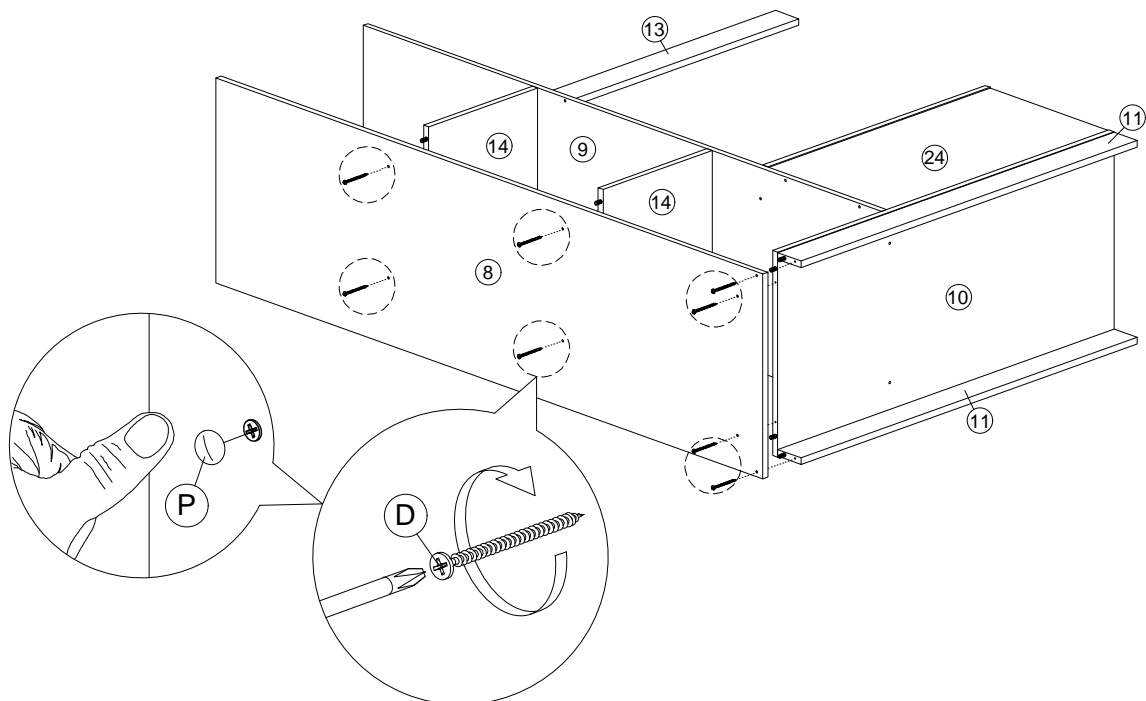
D		M4x45mm Screw	2Pcs
---	---	---------------	------



## Step 9


D		M4x45mm Screw	8Pcs
---	---	---------------	------

P		Sticker	8Pcs
---	---	---------	------

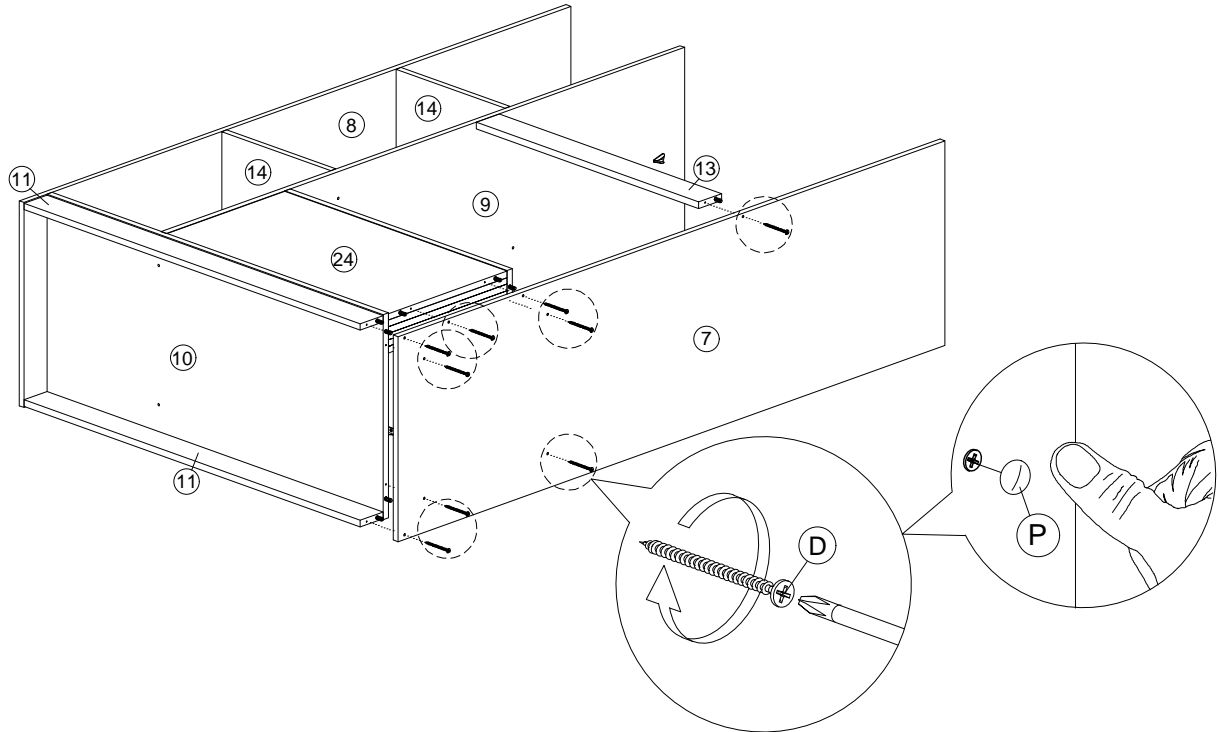


# Assembly Instruction


Step 10

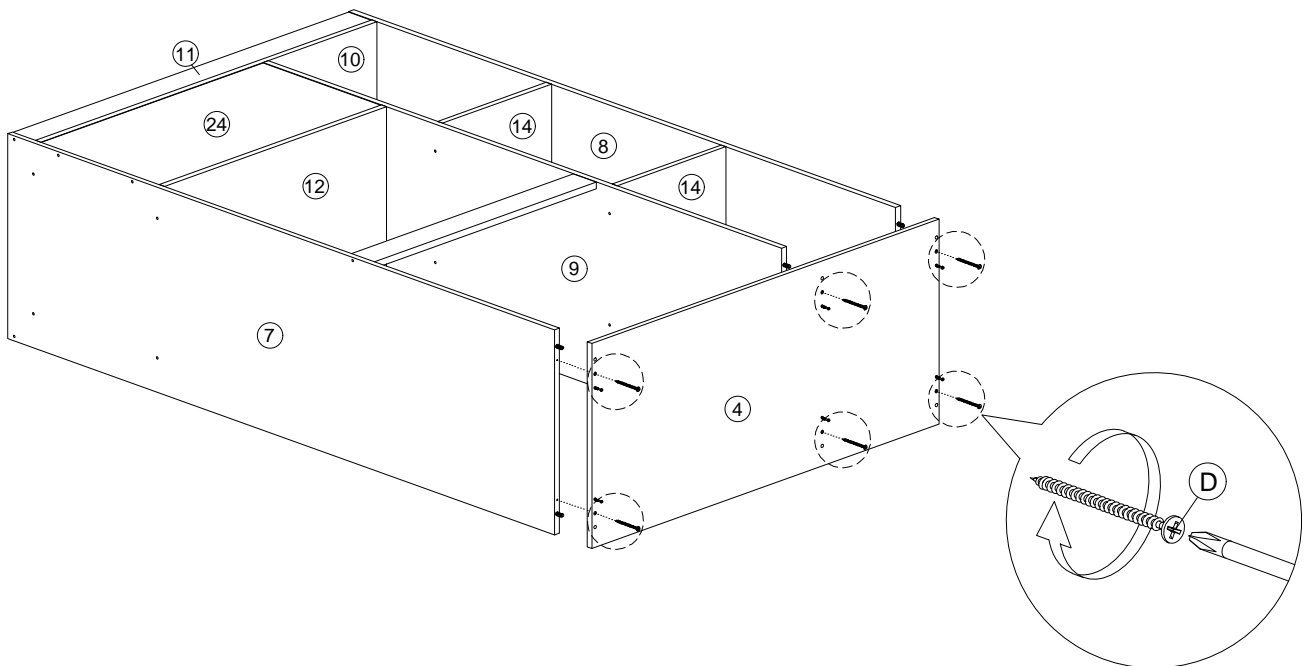
D  M4x45mm Screw 9Pcs

P  Sticker 9Pcs



Step 11

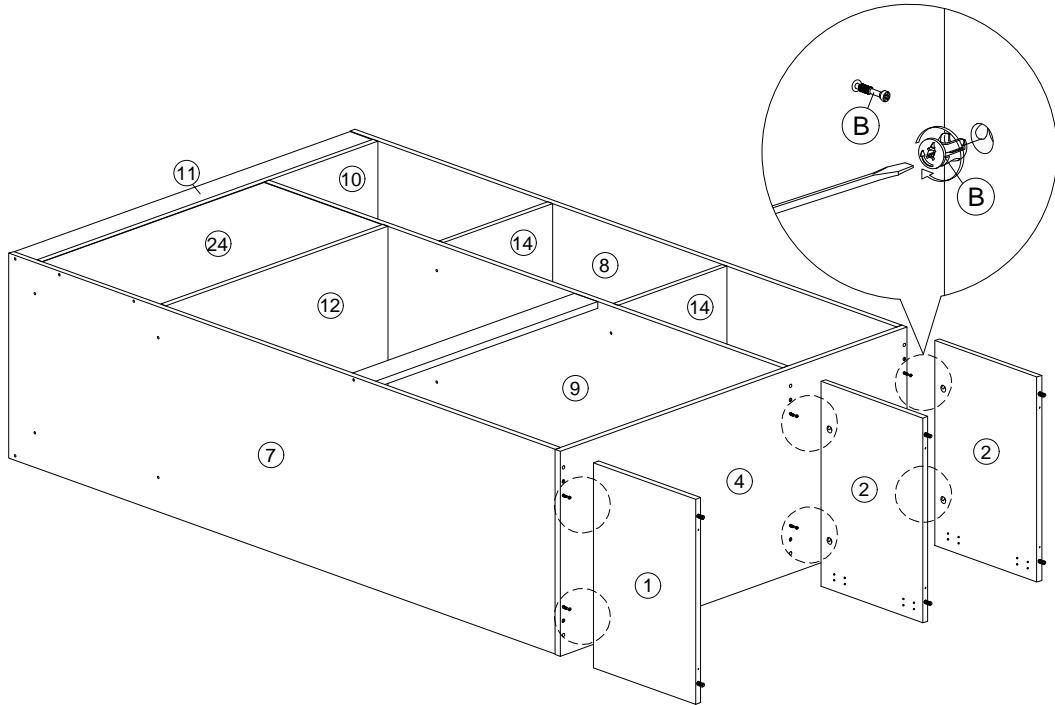
D  M4x45mm Screw 6Pcs




# Assembly Instruction

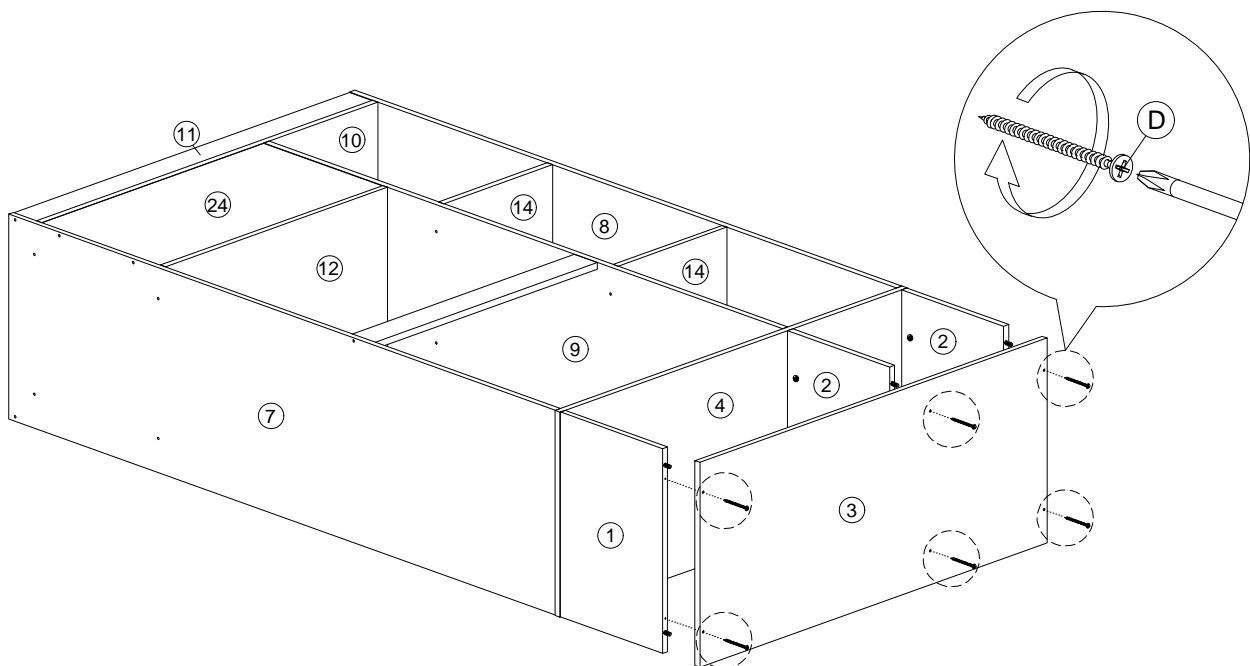
Step 12 

B		Minifix	6Pcs
---	---	---------	------




Step 13 

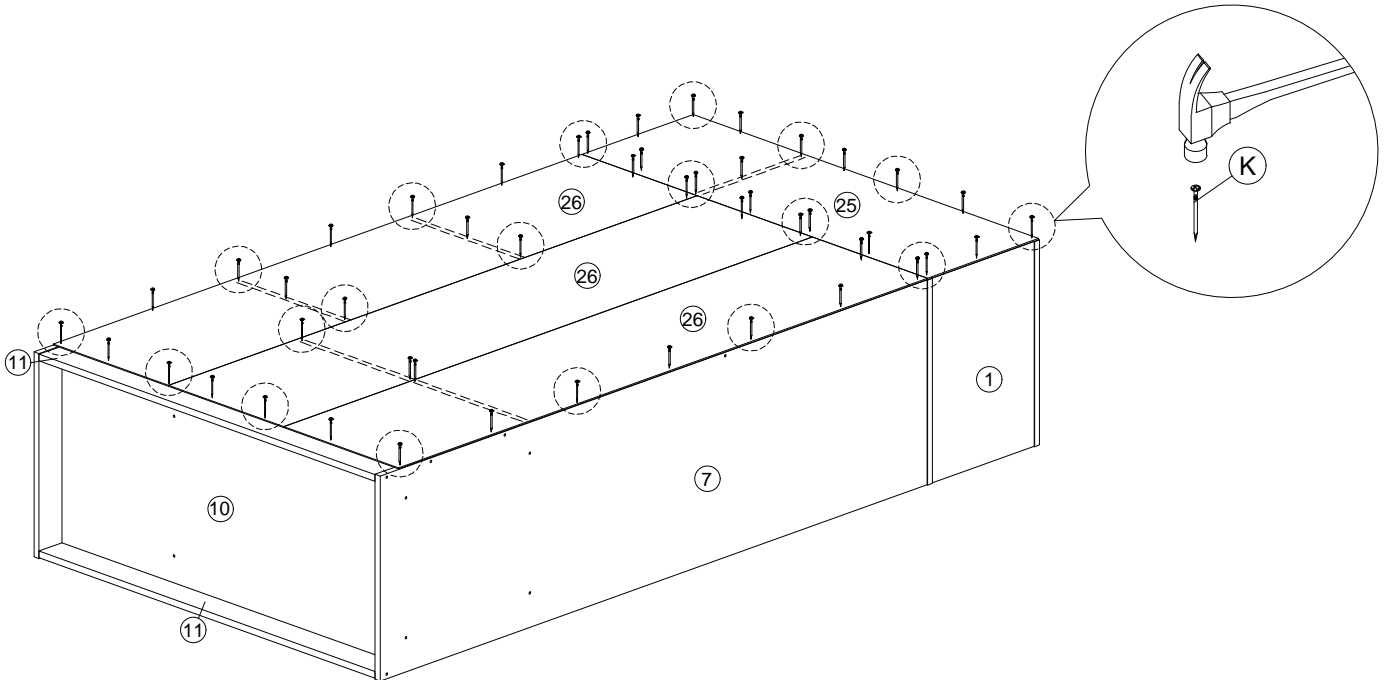
D		M4x45mm Screw	6Pcs
---	---	---------------	------





# Assembly Instruction


Step 14 

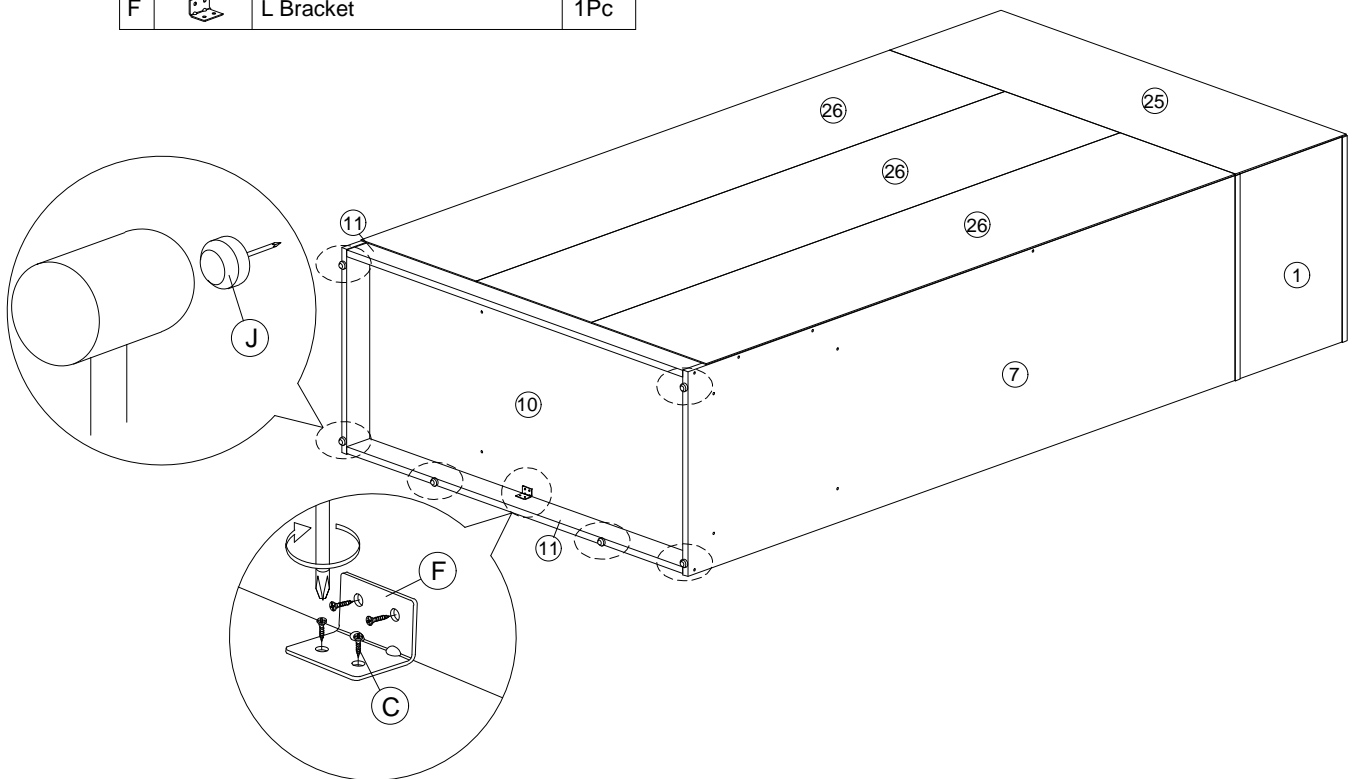
K		6/8 Power Pin	50Pcs
---	---	---------------	-------



Step 15 


C		M3.5x16mm Screw	4Pcs
F		L Bracket	1Pc

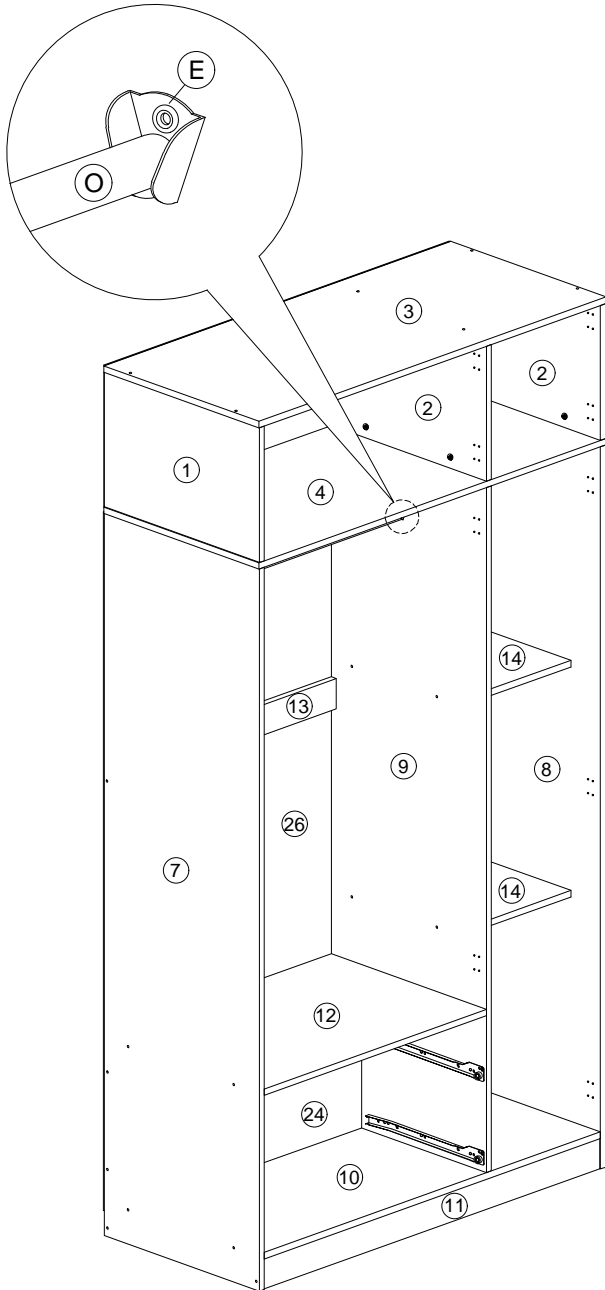
J		5/8 Nail With Pin	6Pcs
---	---	-------------------	------



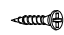

# Assembly Instruction

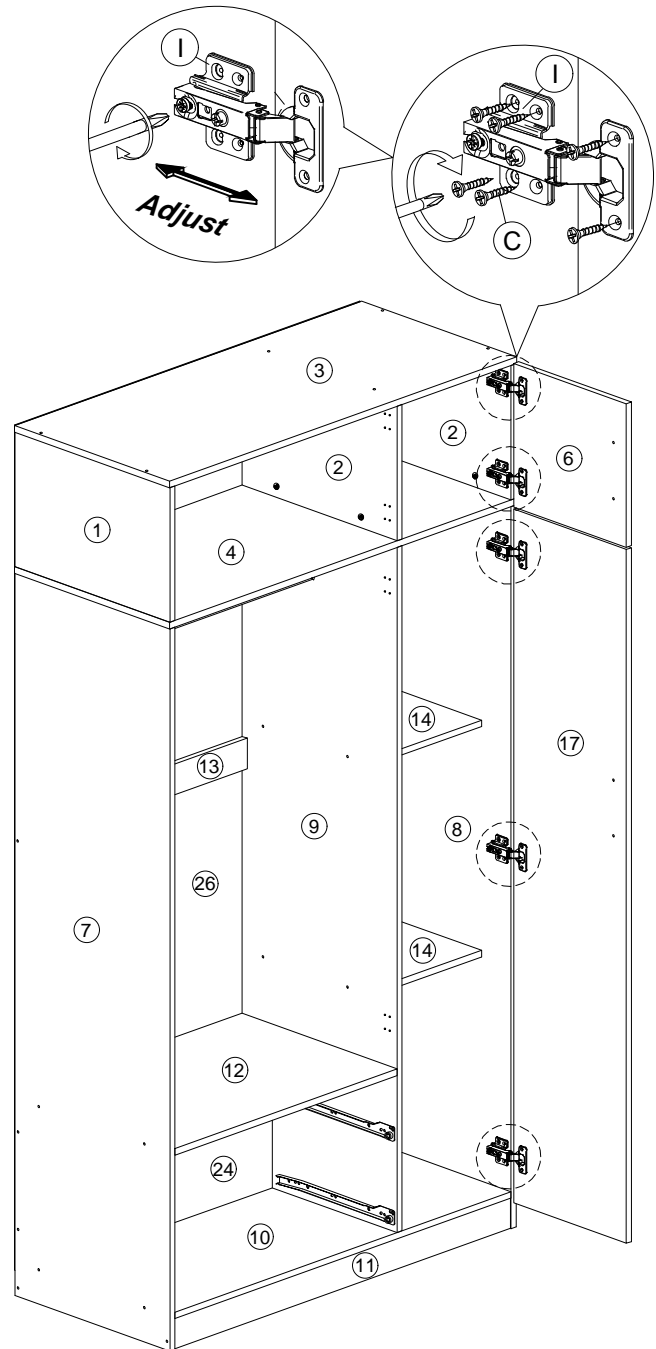
## Step 16

O		Aluminium Pipe 667mm	1Pc
---	---	----------------------	-----



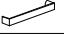

## Step 17

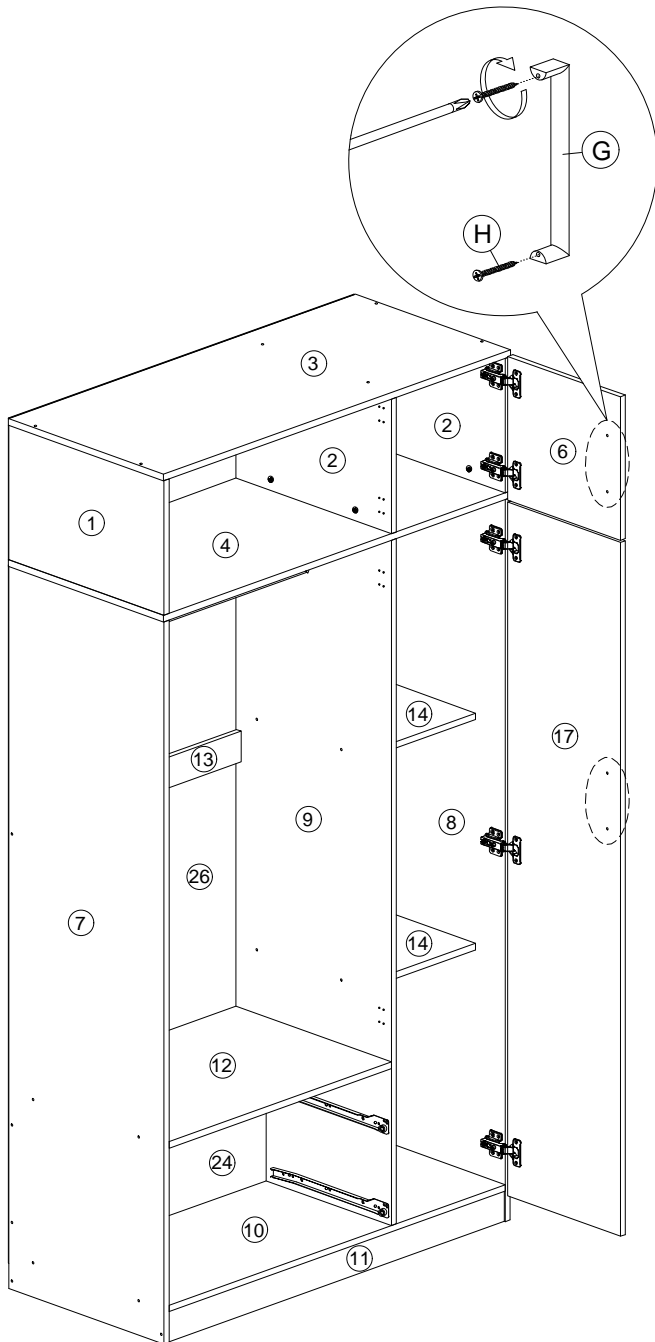
C		M3.5x16mm Screw	30Pcs
I		Hinges 2/8	5Pcs



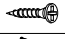

# Assembly Instruction

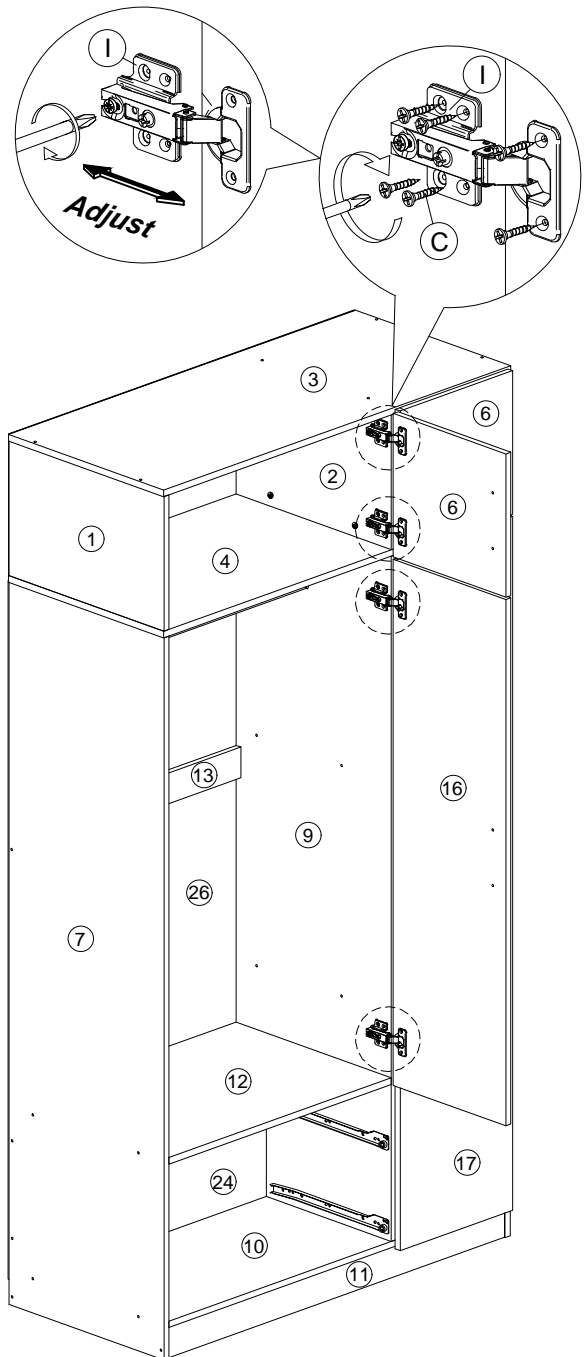
## Step 18

G		Handle KT179.128mm	2Pcs
H		M4x28mm Screw	4Pcs



## Step 19

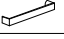

C		M3.5x16mm Screw	24Pcs
I		Hinges 2/8	4Pcs

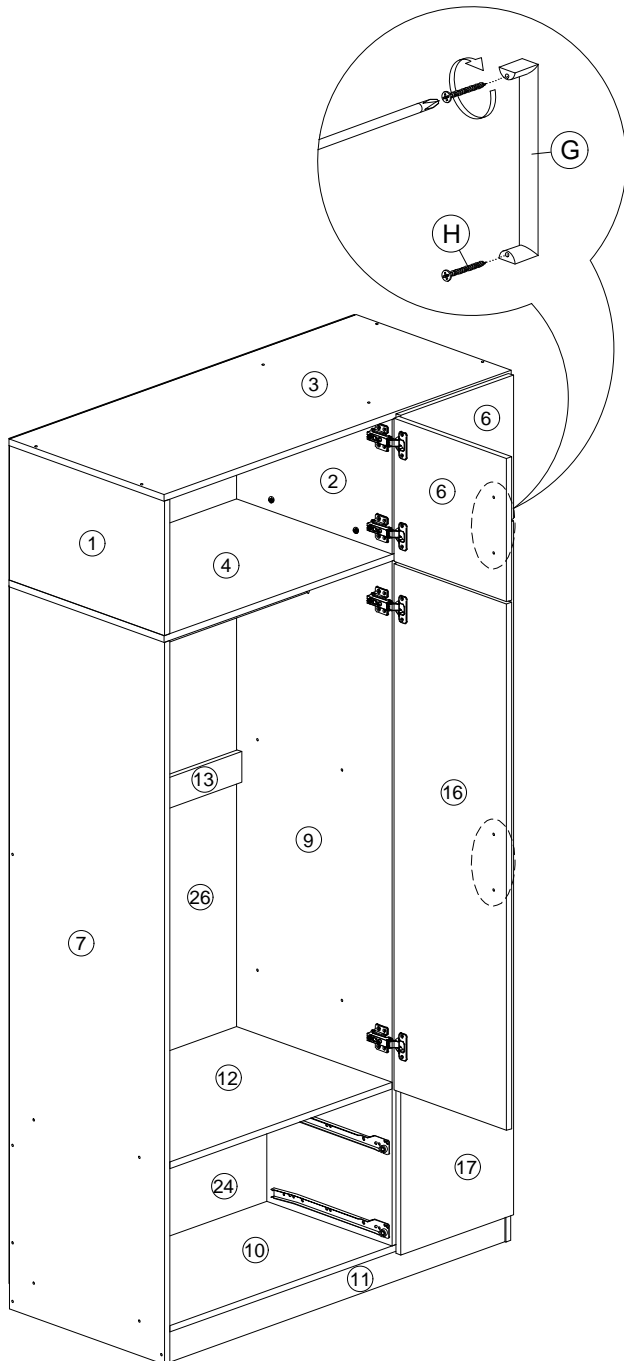




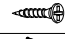

# Assembly Instruction

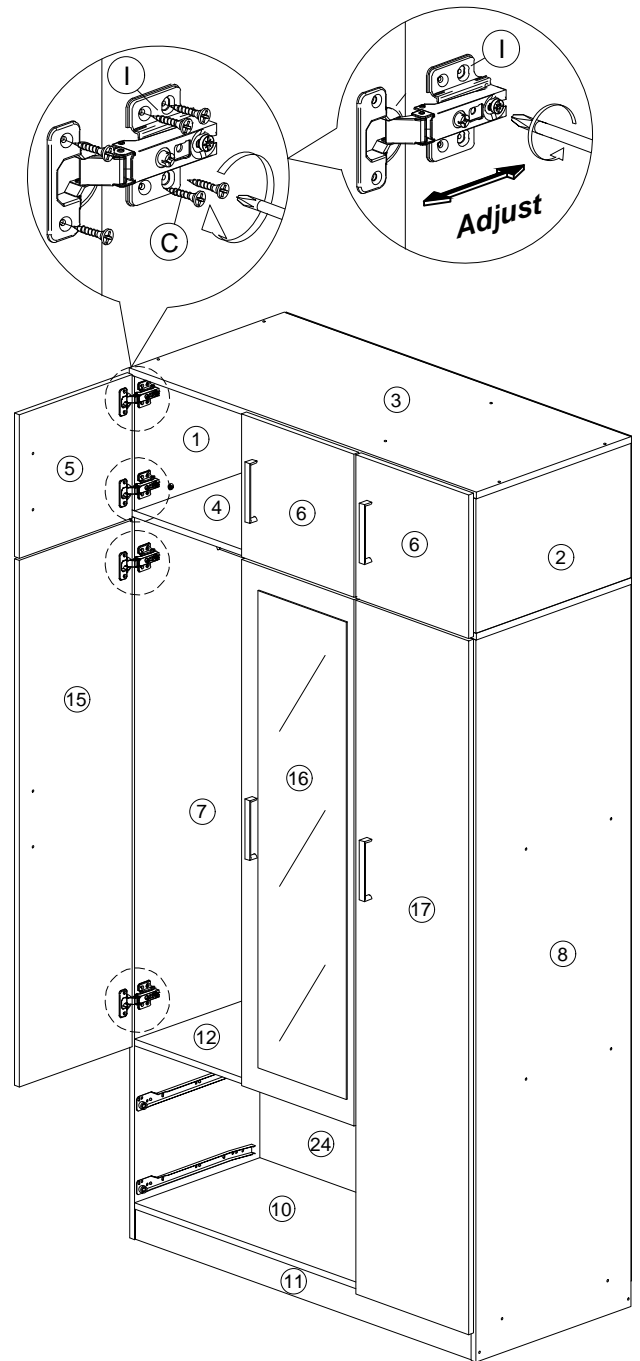
## Step 20

G		Handle KT179.128mm	2Pcs
H		M4x28mm Screw	4Pcs



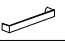

## Step 21

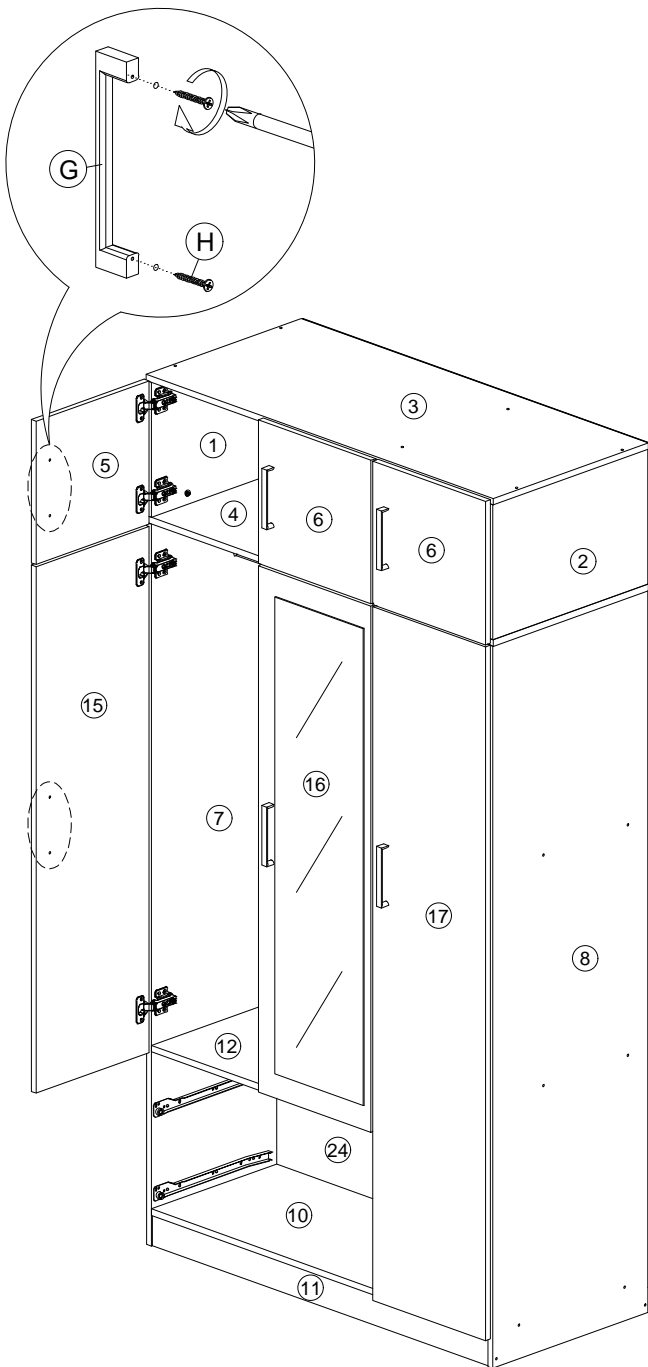
C		M3.5x16mm Screw	24Pcs
I		Hinges 2/8	4Pcs




# Assembly Instruction

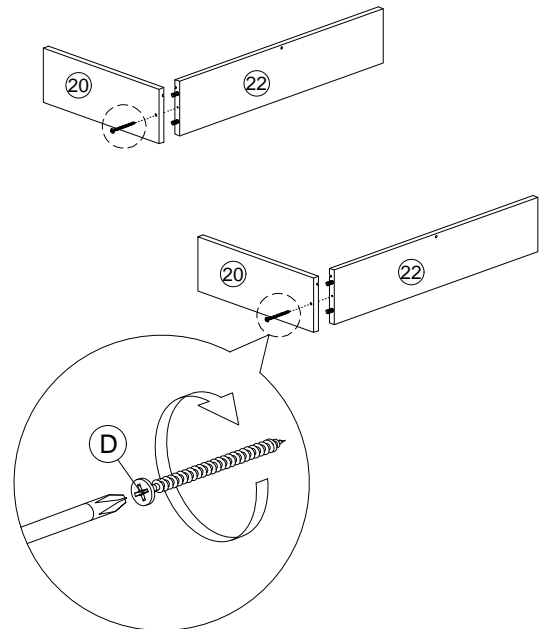
## Step 22

G		Handle KT179.128mm	2Pcs
H		M4x28mm Screw	4Pcs




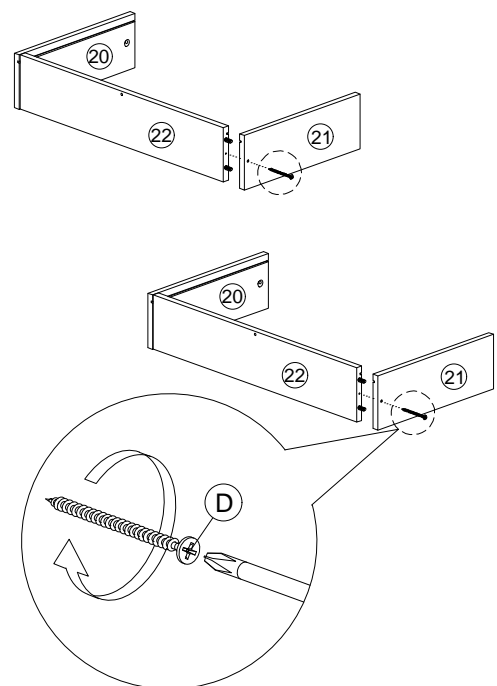
## Step 23

D		M4x45mm Screw	2Pcs
---	---	---------------	------




## Step 24

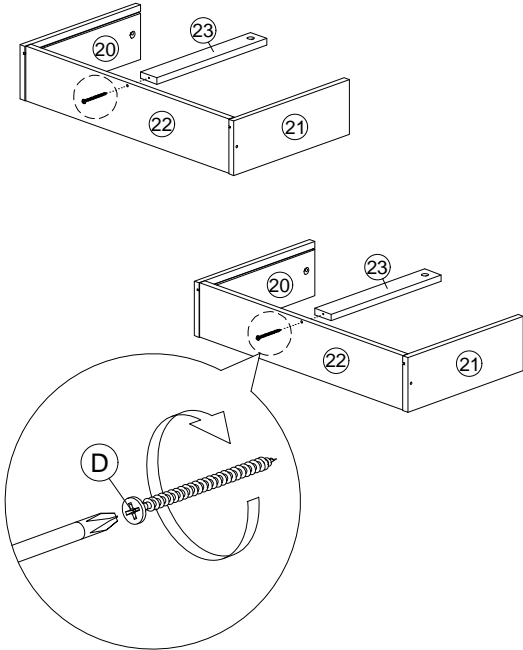
D		M4x45mm Screw	2Pcs
---	---	---------------	------



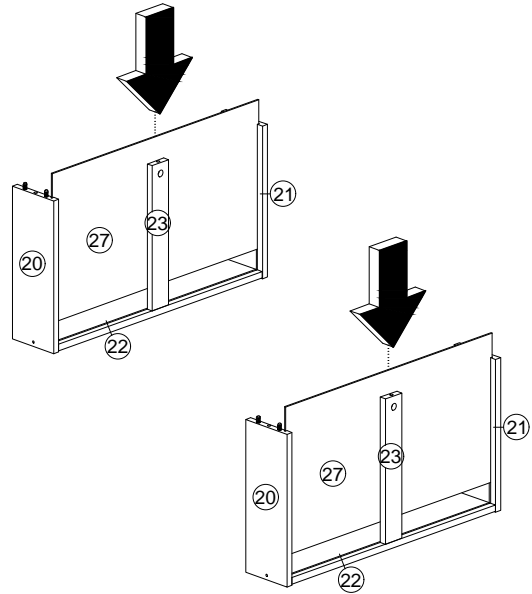
# Assembly Instruction

Step 25 

D		M4x45mm Screw	2Pcs
---	---	---------------	------

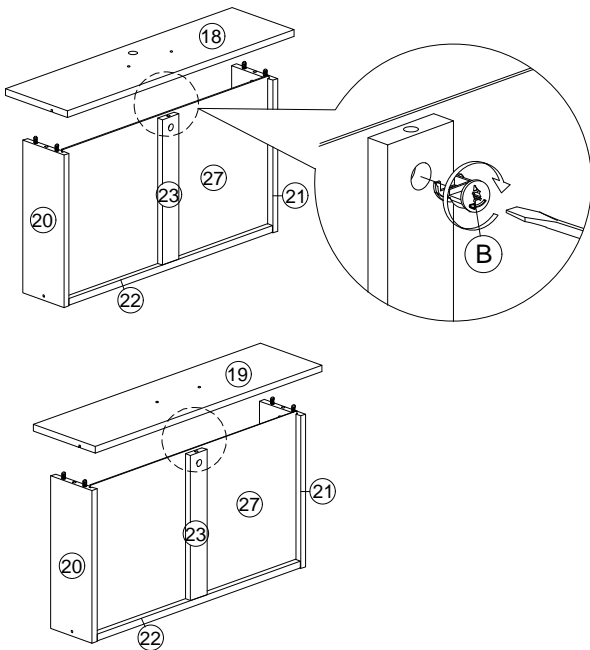


Step 26



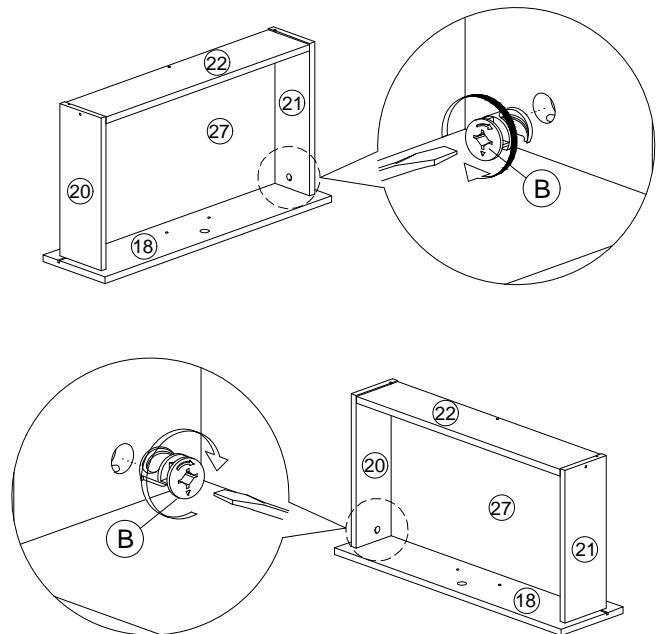
Step 27 

B		Minifix	2Pcs
---	---	---------	------



Step 28 

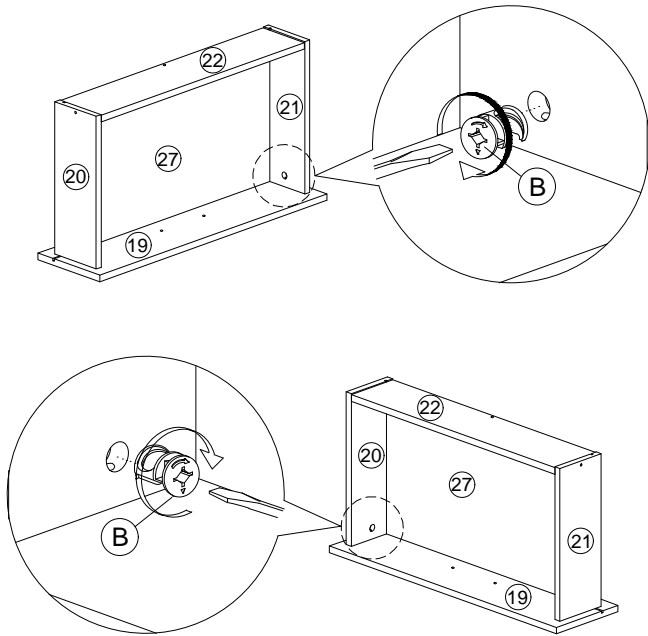
B		Minifix	2Pcs
---	---	---------	------





# Assembly Instruction

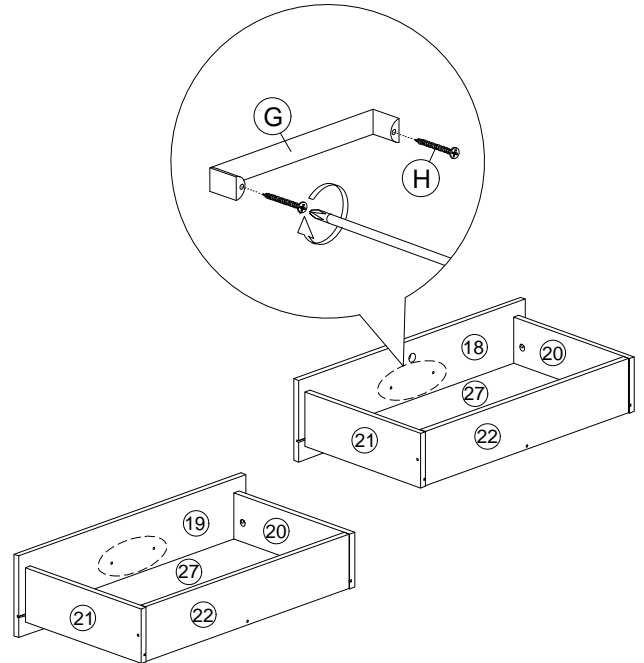
**Step 29**

B		Minifix	2Pcs
---	---	---------	------





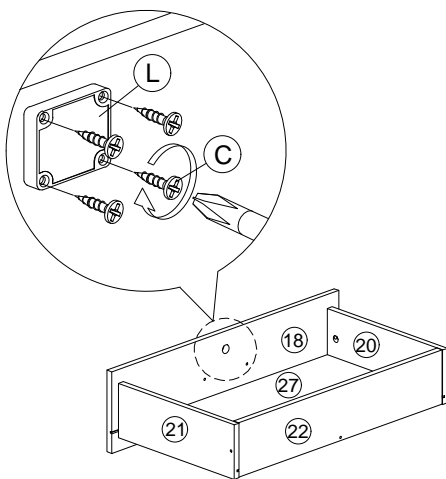
**Step 30**

G		Handle KT179.128mm	2Pcs
H		M4x28mm Screw	4Pcs

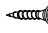



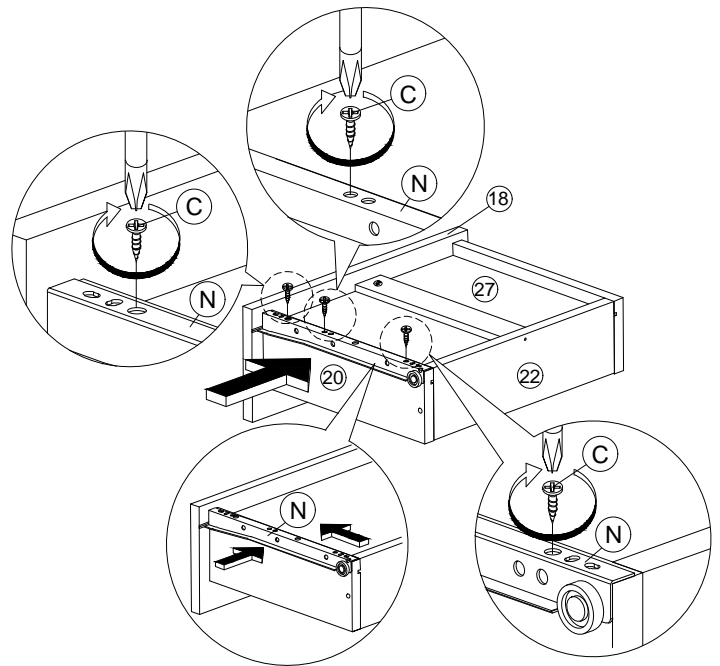
**Step 31**

C		M3.5x16mm Screw	4Pcs
L		Drawer Lock	1Pc



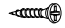

**Step 32**

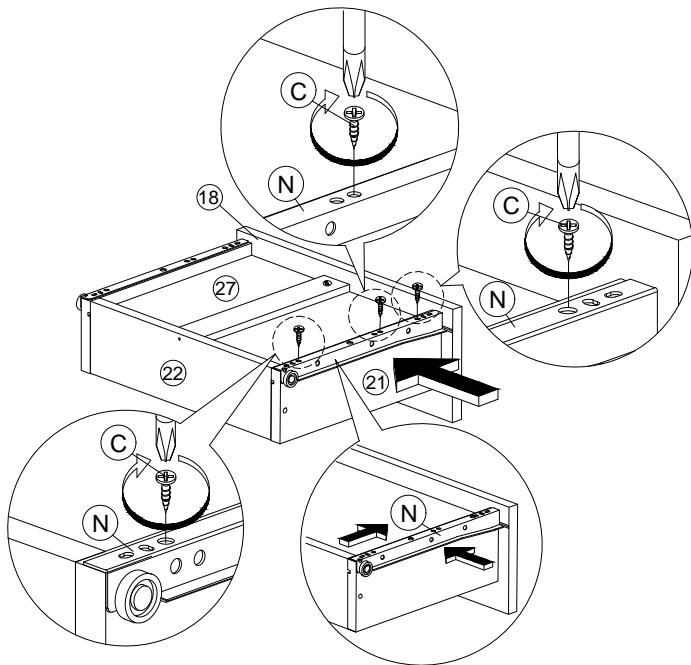
C		M3.5x16mm Screw	3Pcs
N		Drawer Slide 350mm - L	1Pc



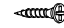

# Assembly Instruction

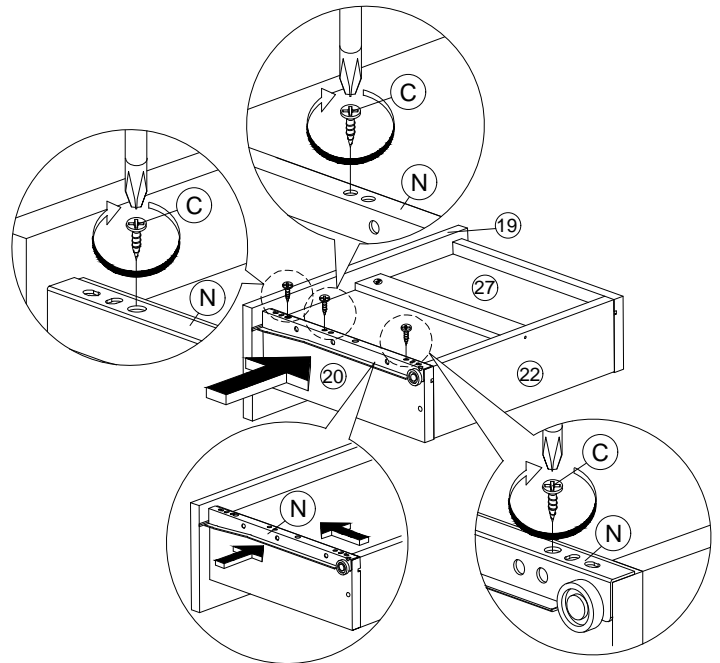
## Step 33

C		M3.5x16mm Screw	3Pcs
N		Drawer Slide 350mm - R	1Pc



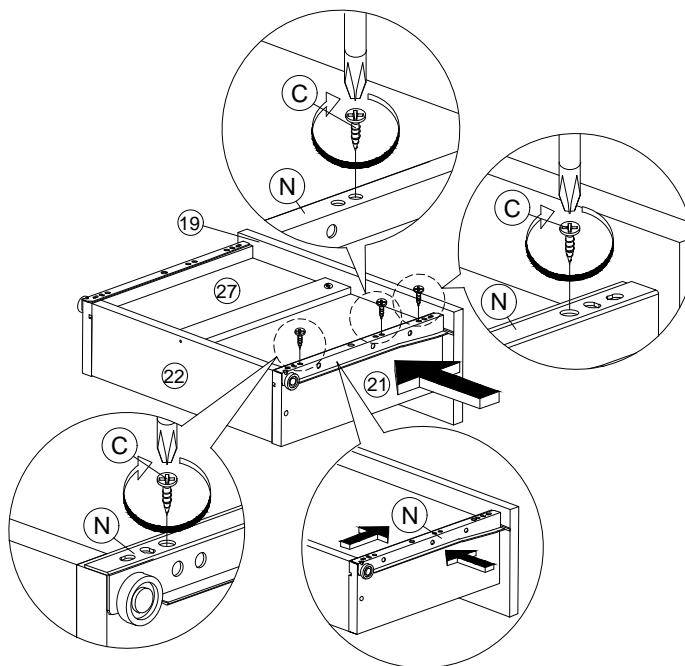
## Step 34

C		M3.5x16mm Screw	3Pcs
N		Drawer Slide 350mm - L	1Pc



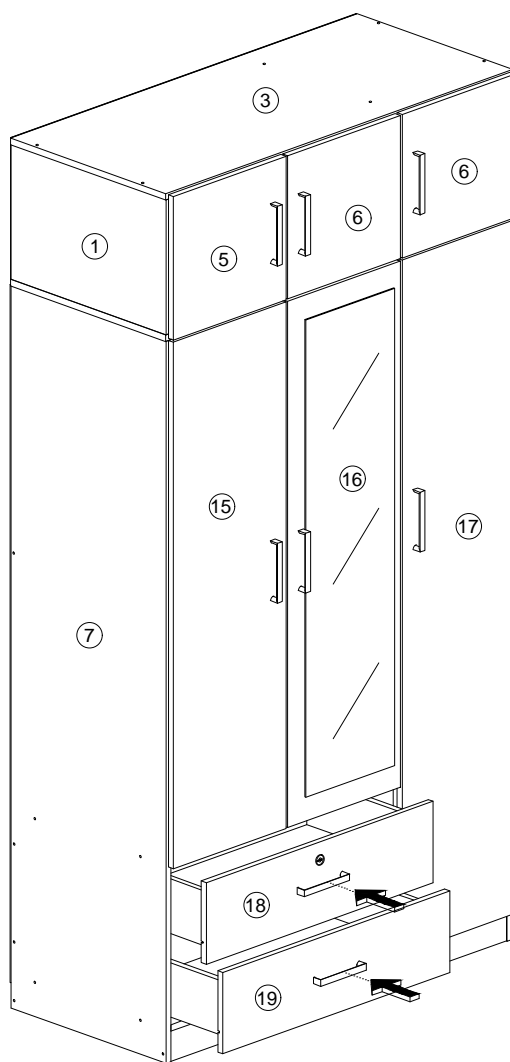
## Step 35

C		M3.5x16mm Screw	3Pcs	N		Drawer Slide 350mm - R	1Pc
---	---	-----------------	------	---	---	------------------------	-----



# Assembly Instruction

## Step 36



# FITTING OF ANTI-TIP SAFETY STRAP

## STEP 1:

- Attach the mounting bracket (a) to the furniture in the solid part below the top panel a few inches away from the side of the unit.
- Screw (b) through the smallest hole of (a).

## STEP 2:

- Locate a stud in behind the have to
- Place the other mounting bracket (a) on the wall stud 2 inches below the mounting bracket secured to the back of your unit.
- Attach to the wall stud using (c) through the smaller hole of (a).

## STEP 3:

- Repeat the same step a few inches away from the other side of the unit.
- Place the furniture into position so both mounting brackets are vertically in line.
- Lace the end of the restraint strap through the larger holes in each mounting bracket.
- Secure the straps and lock into place.

