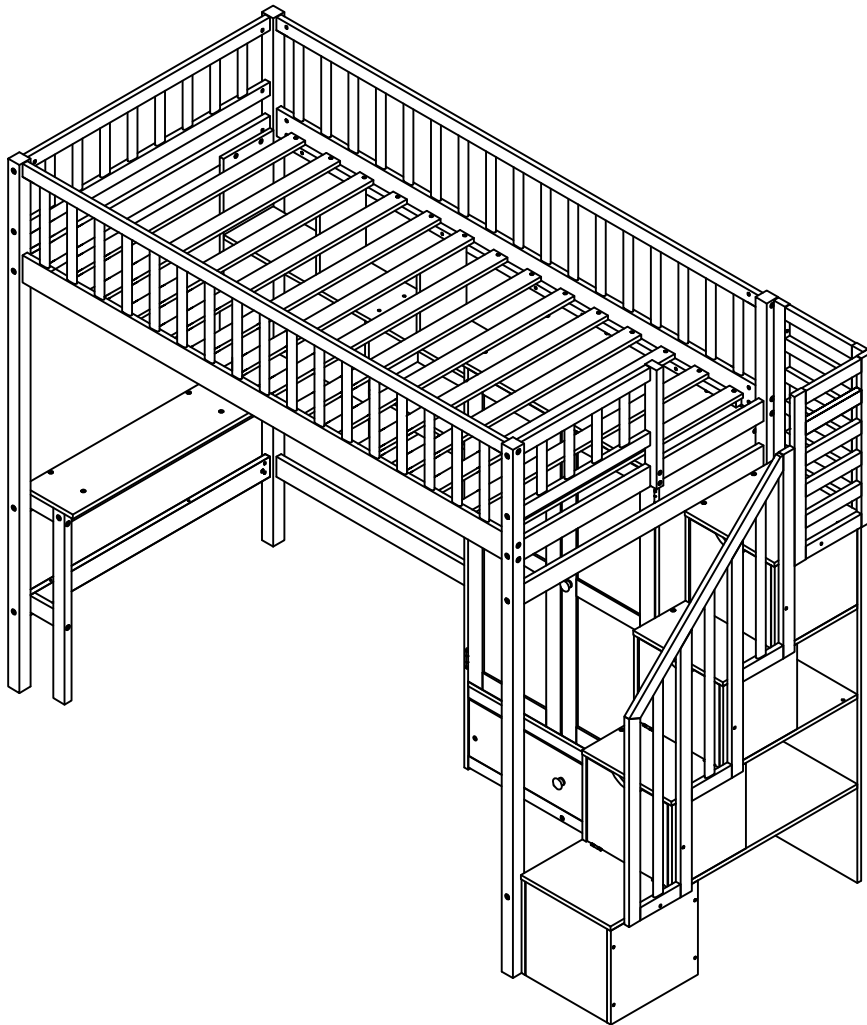


ASSEMBLY INSTRUCTIONS

TWIN LOFT BED WITH WARDROBE



WF308773/WF308774/WF308775



SAFETY WARNING



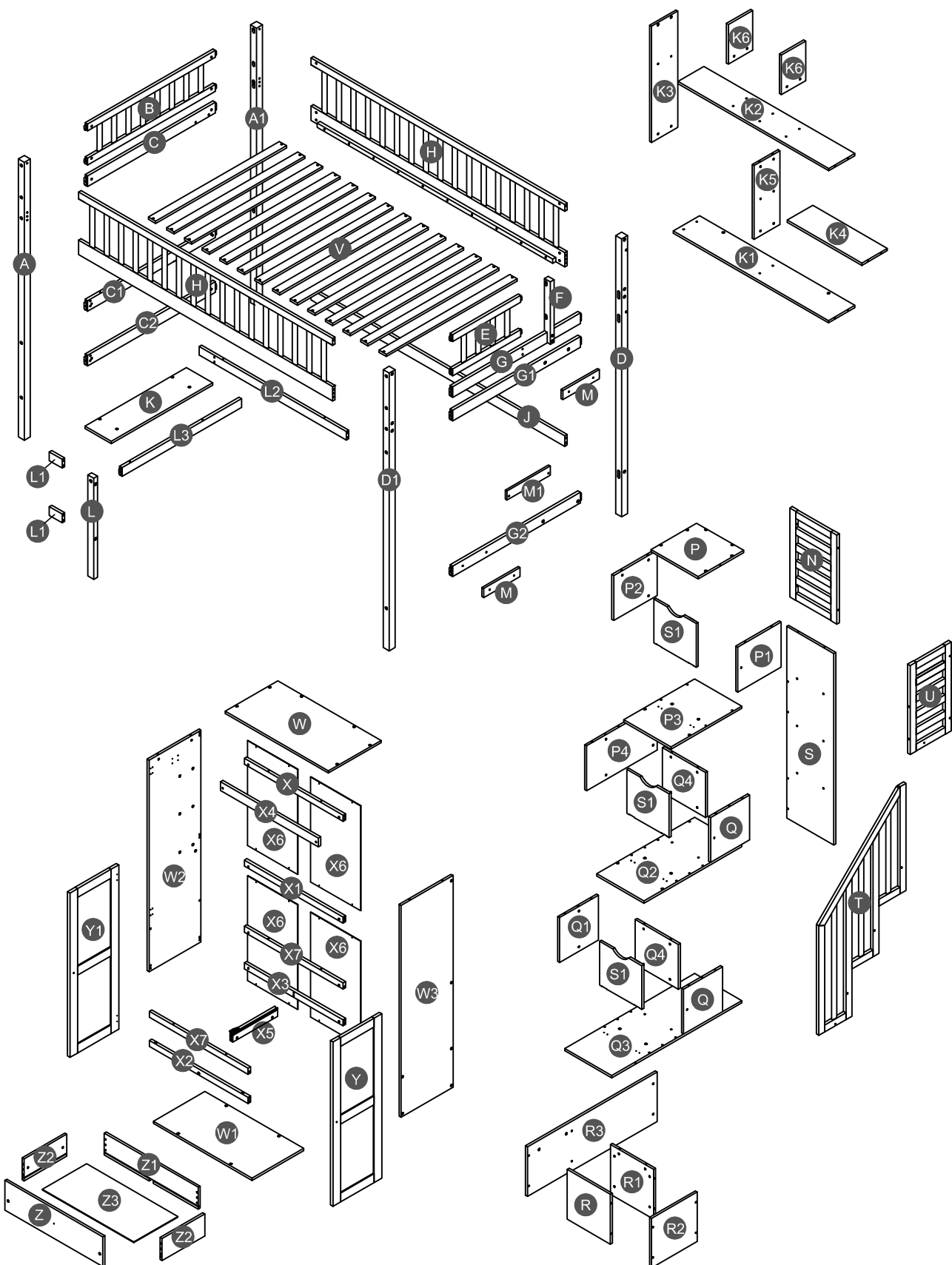
1. This bed is designed for use only mattress (es) meeting the following specifications on the upper bunk.

Upper bunk (Bunk bed and tribed included)

Bed type	Length	Width	Thickness
Twin Standard	74"-75"	38 1/2"	6"

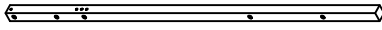
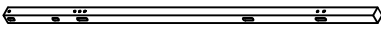

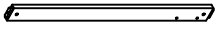
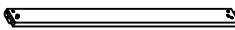

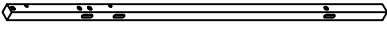
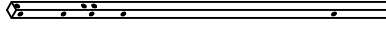
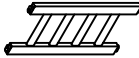

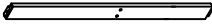
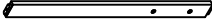
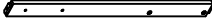
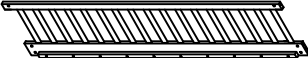
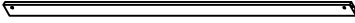
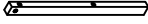
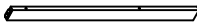

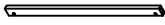




2. Replacement parts, including additional guardrails, maybe obtained from any of our (GIGACLOUD TECHNOLOGY (USA) INC . 18961 ARENTH AVENUE, CITY OF INDUSTRY , CA, 91748.) dealers
3. Follow the information on the warnings appearing on the upper bunk bed end structure and on the carton. Do not remove warning label from bed.
4. Always use the recommended size mattresses or mattress supports, or both, to help prevent the likelihood of entrapment or falls.
5. Surface of mattress must be at least 5" (127mm) below the upper edge of guardrails.
6. Do not allow children under 6 years of age to use the upper bunk.
7. Periodically check and ensure that the guardrail, ladder, and other components are in their proper position, free from damage, and that all connectors are tight.
8. Do not allow horseplay on or under the bed and prohibit jumping on the bed.
9. Always use the ladder for entering and leaving the upper bunk.
10. Do not use substitute part. Contact the manufacture or dealer for replacement part.
11. Use of a night light may provide added safety precaution for a child using the upper bunk.
12. Always use guardrails on both long sides of the upper bunk. If the bunk bed will be placed next to the wall, the guardrail that runs the full length of the bed should be placed against the wall to prevent entrapment between the bed and wall.
13. The use of water or sleep flotation mattresses is prohibited.
14. STRANGULATION HAZARD - Never attach or hang items to any part of the bunk bed that are not designed for use with the bed; for example, but not limited to, hook, belts and jump ropes.
15. Keep these instruction for future reference.
16. Prohibit more than one person on upper bunk
17. We recommend assembling your bunk bed on the shipping carton to protect your floor or carpet.
18. Be certain all staples are out of the box before beginning assembly on the shipping carton.

Detail View




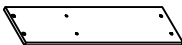



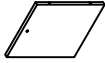
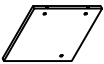


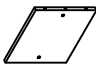

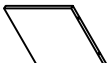

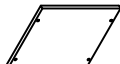
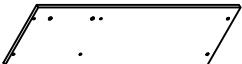

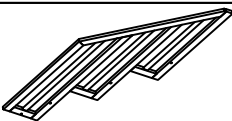
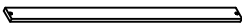
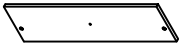

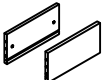
Part List

WF308773

<p>A</p>  <p>Leg HB (Left front) - 1pc</p>	<p>A1</p>  <p>Leg HB (Left back) - 1pc</p>	<p>B</p>  <p>Frame HB - 1pc</p>
<p>C</p>  <p>Upper horizontal bar HB - 1pc</p>	<p>C1</p>  <p>Divider horizontal bar HB - 1pc</p>	<p>C2</p>  <p>Lower horizontal bar HB - 1pc</p>
<p>D</p>  <p>Leg FB (Right back) - 1pc</p>	<p>D1</p>  <p>Leg FB (Right front) - 1pc</p>	<p>E</p>  <p>Frame FB - 1pc</p>
<p>F</p>  <p>Vertical guard rail FB - 1pc</p>	<p>G</p>  <p>Upper horizontal bar FB - 1pc</p>	<p>G1</p>  <p>Divider horizontal bar FB - 1pc</p>
<p>G2</p>  <p>Lower horizontal bar FB - 1pc</p>	<p>H</p>  <p>Side rail - 2pcs</p>	<p>J</p>  <p>Lower horizontal bar (Back) - 1pc</p>
<p>L</p>  <p>Short leg (Left front) - 1pc</p>	<p>L3</p>  <p>Support horizontal bar - 1pc</p>	<p>X</p>  <p>Upper horizontal bar (Back) - 1pc</p>
<p>X1</p>  <p>Horizontal bar (Back) - 1pc</p>	<p>X2</p>  <p>Lower horizontal bar (Front) - 1pc</p>	<p>X3</p>  <p>Lower horizontal bar (Back) - 1pc</p>
<p>X4</p>  <p>Hanging bar - 1pc</p>	<p>X7</p>  <p>Lower horizontal bar (Front/Back) - 2pcs</p>	


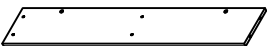

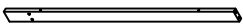


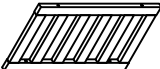


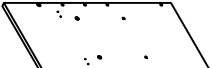
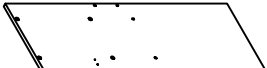
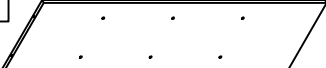
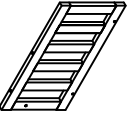






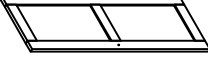
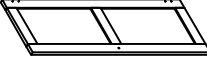
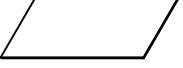
Part List

WF308774

<p>K2</p>  <p>Shelf panel - 1pc</p>	<p>K3</p>  <p>Side panel (Left) - 1pc</p>	<p>K4</p>  <p>Shelf panel - 1pc</p>
<p>K5</p>  <p>Lower divider panel - 1pc</p>	<p>K6</p>  <p>Upper divider panel - 2pcs</p>	<p>P1</p>  <p>Upper right side panel - 1pc</p>
<p>P2</p>  <p>Upper left side panel - 1pc</p>	<p>P4</p>  <p>Center left side panel - 1pc</p>	<p>Q</p>  <p>Center right side panel - 2pcs</p>
<p>Q1</p>  <p>Center left side panel - 1pc</p>	<p>Q4</p>  <p>Support panel - 2pcs</p>	<p>R</p>  <p>Lower front panel - 1pc</p>
<p>R1</p>  <p>Support lower panel - 1pc</p>	<p>R2</p>  <p>Lower right side panel - 1pc</p>	<p>R3</p>  <p>Lower left side panel - 1pc</p>
<p>S1</p>  <p>Upper front panel - 3pcs</p>	<p>T</p>  <p>Guard rail -1pc</p>	<p>V</p>  <p>Slat - 14pcs</p>
<p>Z</p>  <p>Front drawer panel - 1pc</p>	<p>Z1</p>  <p>Back drawer panel - 1pc</p>	<p>Z2</p>  <p>Left / right drawer panel - 2pcs</p>

Part List

WF308775 + Hardware inside

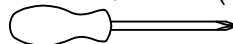
<p>K</p>  <p>Top panel - 1pc</p>	<p>K1</p>  <p>Top panel - 1pc</p>	<p>L1</p>  <p>Horizontal bar (Front) - 2pcs</p>
<p>L2</p>  <p>Horizontal bar (Back) - 1pc</p>	<p>M</p>  <p>Support - 2pcs</p>	<p>M1</p>  <p>Support - 1pc</p>
<p>N</p>  <p>Upper guard rail (Back) -1pc</p>	<p>P</p>  <p>Upper step ladder panel -1pc</p>	<p>P3</p>  <p>Upper center step ladder panel -1pc</p>
<p>Q2</p>  <p>Lower center step ladder panel -1pc</p>	<p>Q3</p>  <p>Lower step ladder panel -1pc</p>	<p>S</p>  <p>Back panel - 1pc</p>
<p>U</p>  <p>Upper guard rail -1pc</p>	<p>W</p>  <p>Top panel - 1pc</p>	<p>W1</p>  <p>Bottom panel - 1pc</p>
<p>W2</p>  <p>Side panel (Left) - 1pc</p>	<p>W3</p>  <p>Side panel (Right) - 1pc</p>	<p>X5</p>  <p>Support drawer - 1pc</p>
<p>X6</p>  <p>Back panel - 4pcs</p>	<p>Y</p>  <p>Door (Right) - 1pc</p>	<p>Y1</p>  <p>Door (Left) - 1pc</p>
<p>Z3</p>  <p>Drawer bottom - 1pc</p>		

Hardware List WF308775

1  Ø10*40mm Wood dowel (2pcs)	2  Ø10*20mm Wood dowel (1pc)	3  Ø8*30mm Wood dowel (46pcs)
4  (Ø15)1/4"*100mm Hex-Head bolts (14pcs)	5  (Ø15)1/4"*80mm Hex-Head bolts (22pcs)	6  (Ø12)1/4"*70mm Hex-Head bolts (3pcs)
7  (Ø12)1/4"*60mm Hex-Head bolts (96pcs)	8  (Ø12)1/4"*40mm Hex-Head bolts (4pcs)	9  (Ø12)1/4"*35mm Hex-Head bolts (2pcs)
10  (Ø12)1/4"*30mm Hex-Head bolts (5pcs)	11  (Ø12)1/4"*15mm Hex-Head bolts (2pcs)	12  1/4"*15 (9.5mm) Horizontal-hole bolts(131pcs)
13  Ø3.5*15mm Wood screws (16pcs)	14  340*30mm Upper slider drawer (1pc)	15  Ø4*30mm Wood screws (30pcs)
16  (Ø12)1/4"*40mm Hex-Head bolts (14pcs)	17  Ø38*31mm Pine Knob (3pcs)	18  3/16"*25mm Ph zinc(Knob) (3pcs)
19  Ø3.5*15mm Wood screws (71pcs)	20  (Ø13)1/4"*14mm Connect bolt (2pcs)	21  45*17*13mm Door catch (3pcs)
22  42*12*1mm Metal magnet (5pcs)	23  70*37*28mm (135°) Metal bracket (4pcs)	24  140*32*19mm Stopper door (1pc)
25  63*40*30mm Metal bracket (2pcs)	26  24*28*28*2mm Metal bracket (2pcs)	27  (1/4")4.5*58mm Allen key (2pcs)

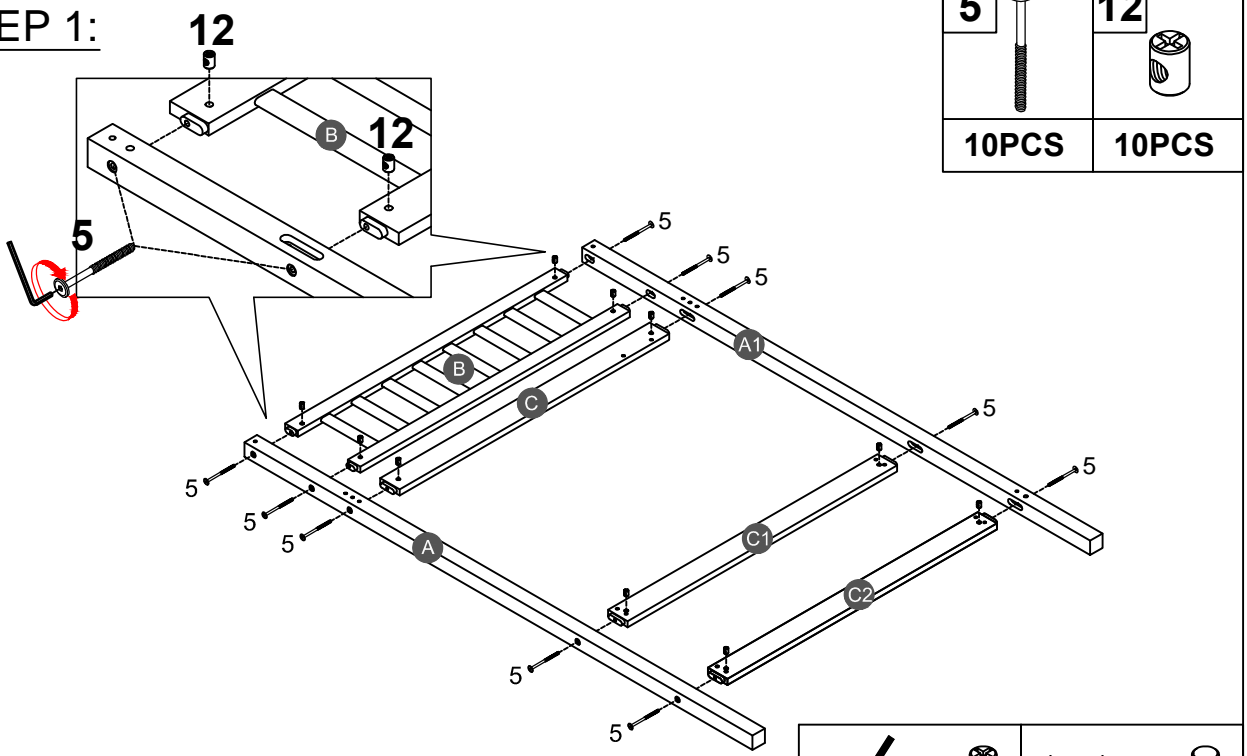


ASSEMBLY TOOLS REQUIRED (NOT INCLUDED)

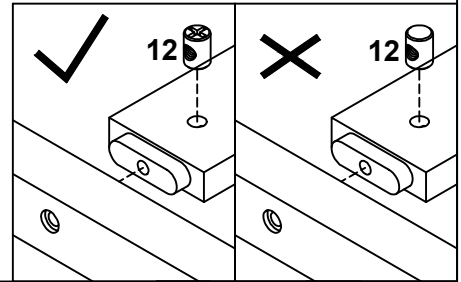


PLEASE BE CAREFUL DO NOT DAMAGE THE HOLE
POSITION WHEN YOU USE POWER TOOLS !

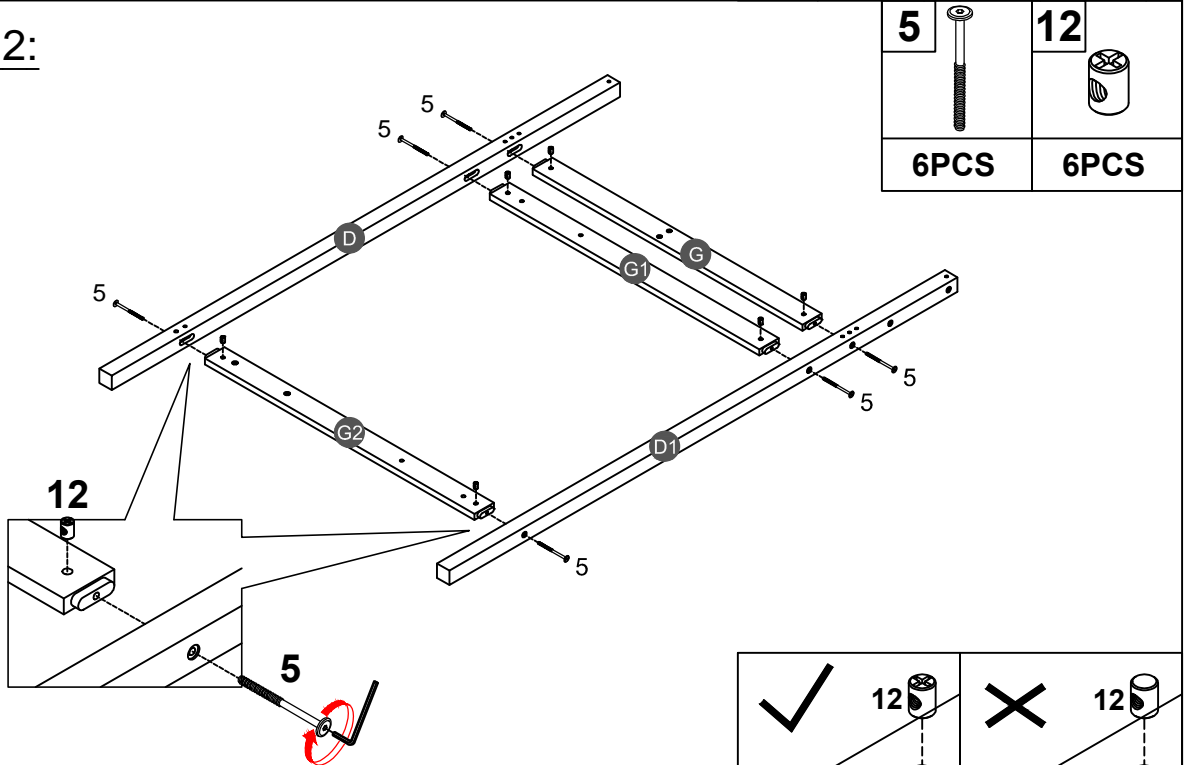
STEP 1:



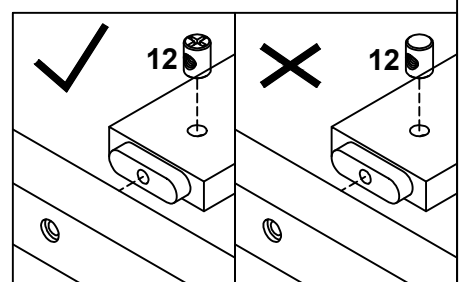
Note: Part 12 will face up with the "x" mark on it, otherwise it cannot be tightened



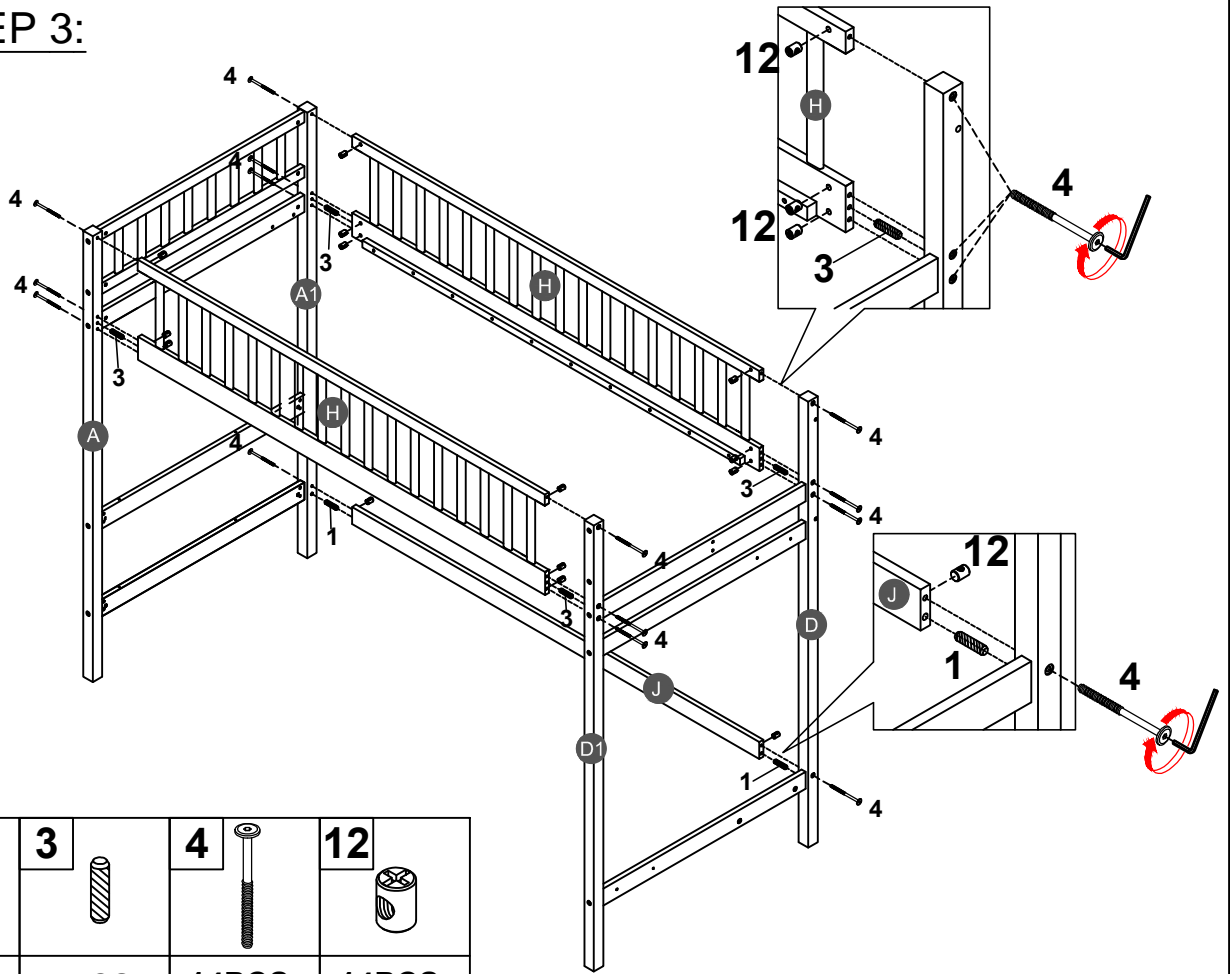
STEP 2:



Note: Part 12 will face up with the "x" mark on it, otherwise it cannot be tightened

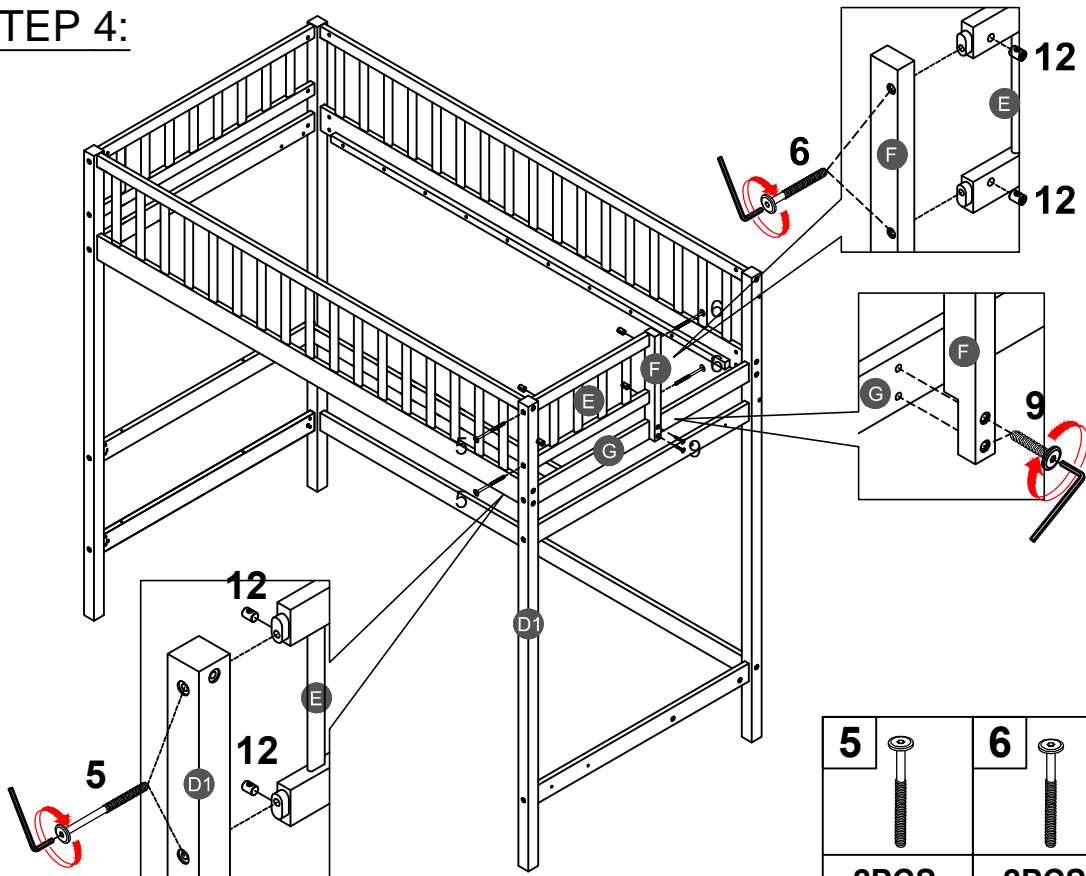


STEP 3:






1		3		4		12	
2PCS		4PCS		14PCS		14PCS	

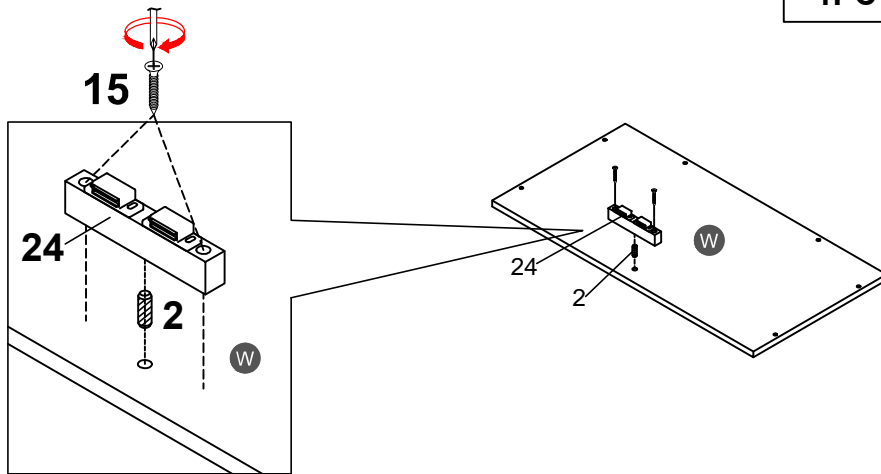
STEP 4:





12		5		6		9	
4PCS		2PCS		2PCS		2PCS	

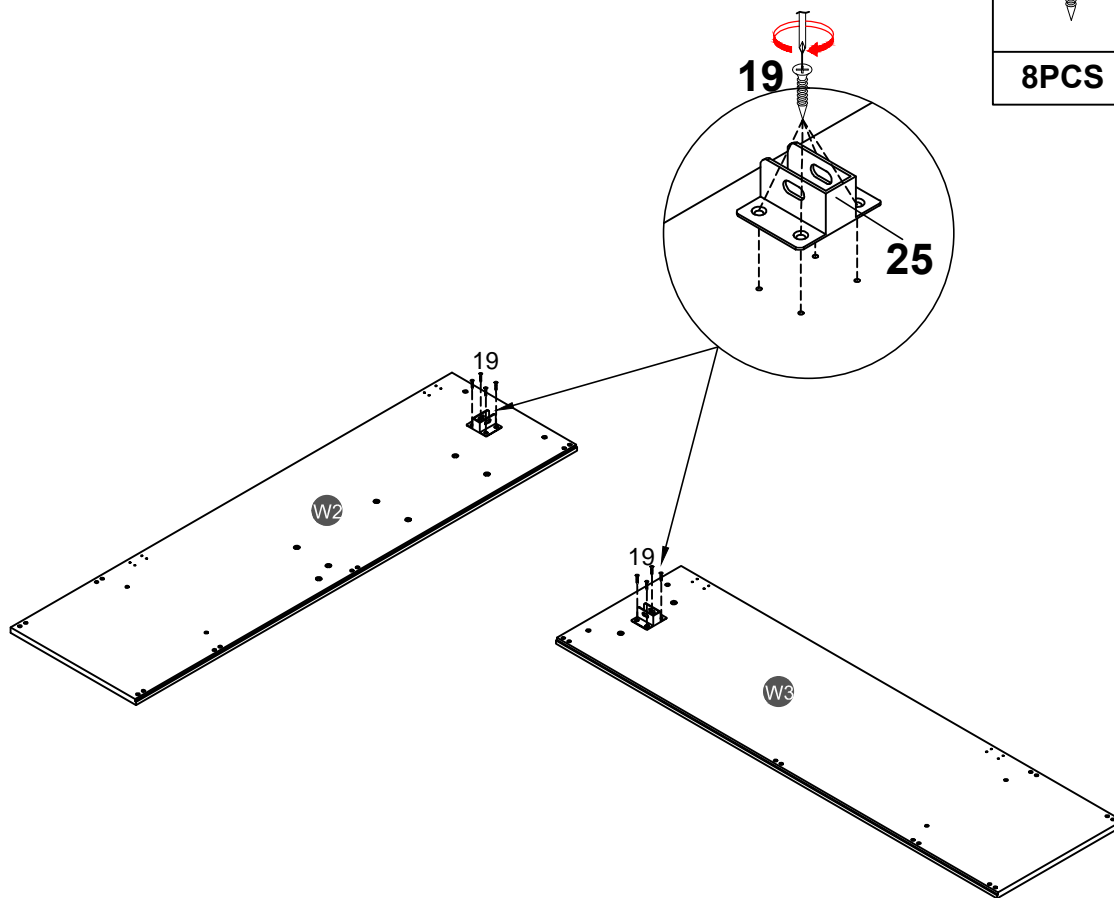
STEP 5:

2		15		24	
1PC		2PCS		1PC	





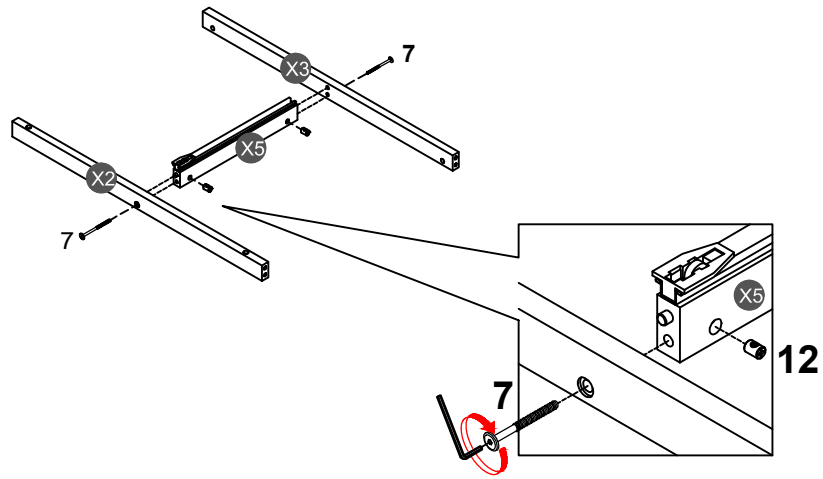
STEP 6:

19		25	
8PCS		2PCS	






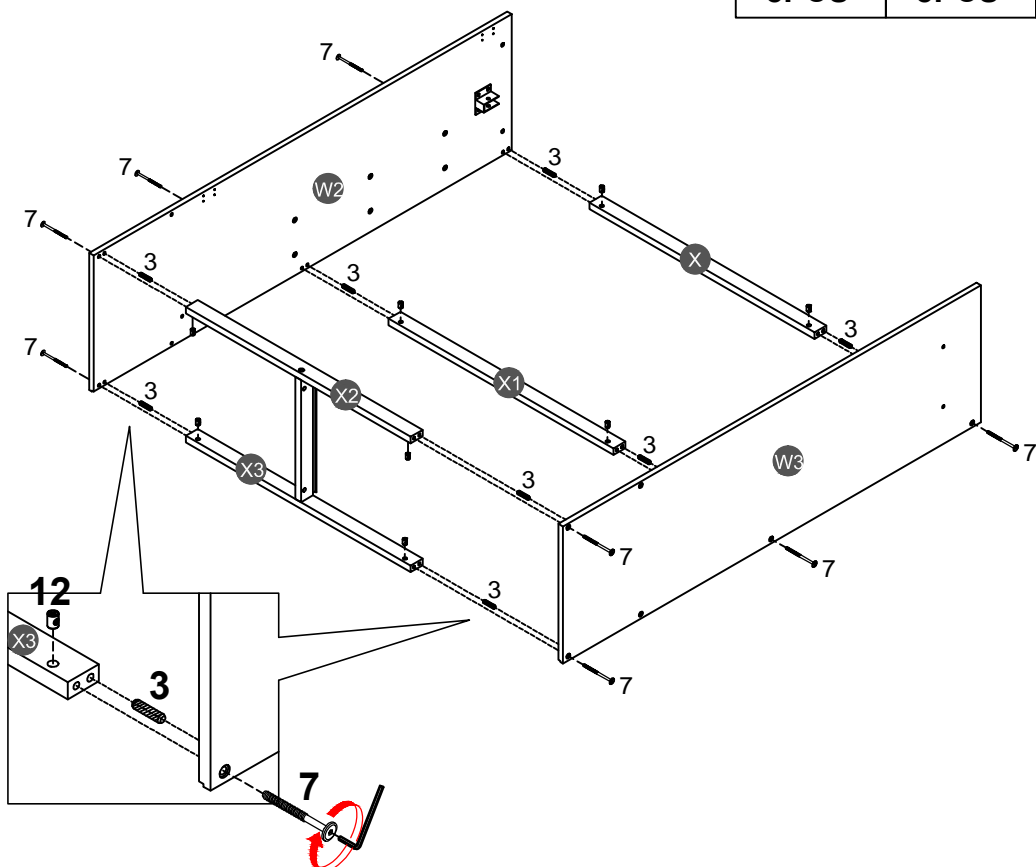
STEP 7:

7		12	
	2PCS		2PCS

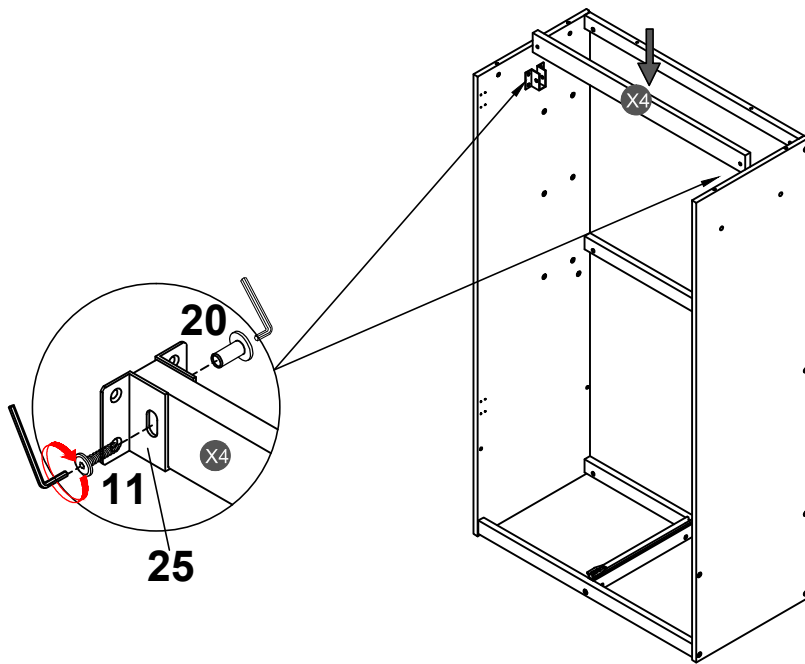



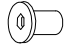
STEP 8:

3		7		12	
	8PCS		8PCS		8PCS

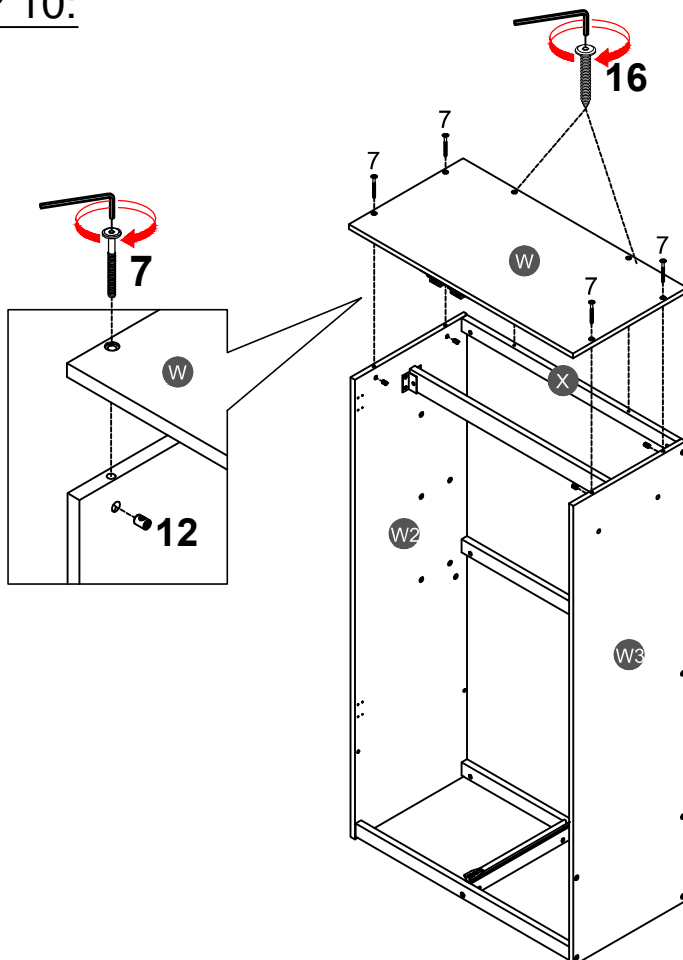




STEP 9:




11		20	
	2PCS		2PCS

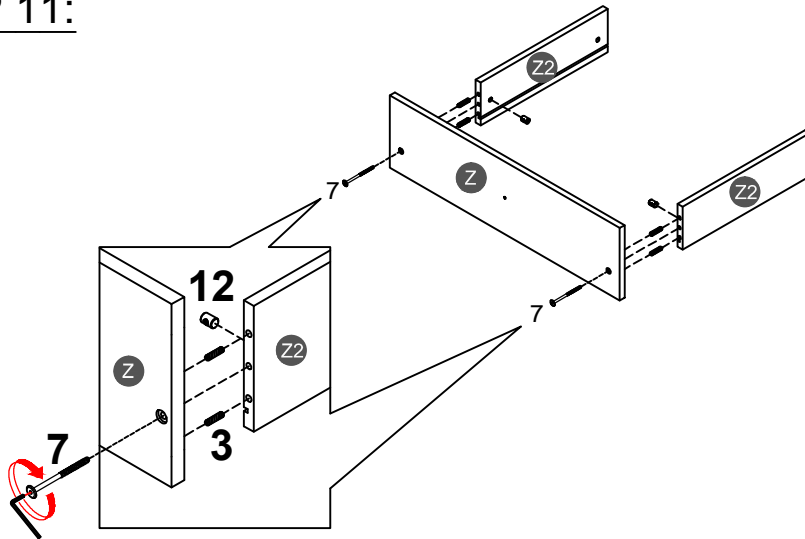
STEP 10:



7		12	
	4PCS		4PCS

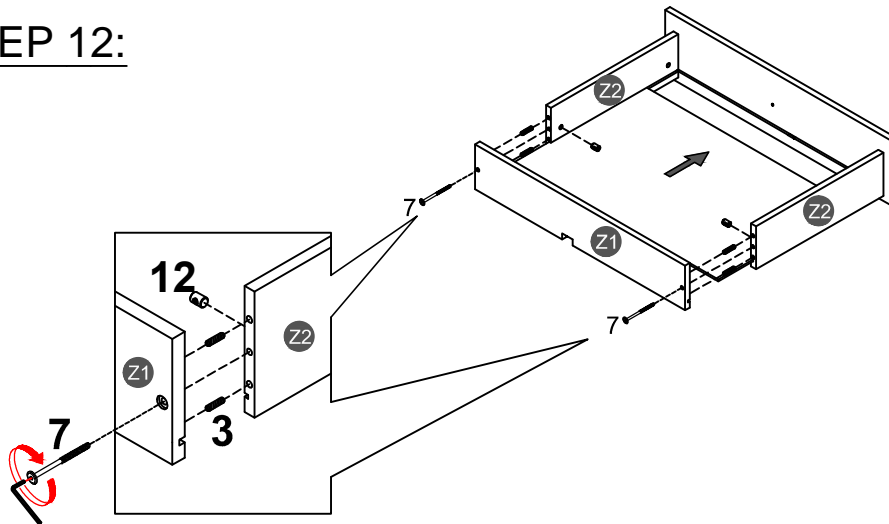
16	
	2PCS

STEP 11:



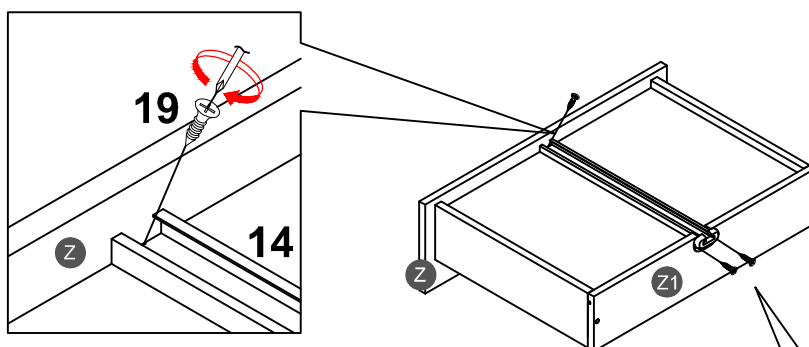
3		7	
4PCS		2PCS	
		12	
		2PCS	

STEP 12:

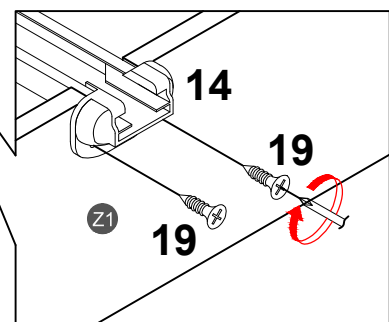
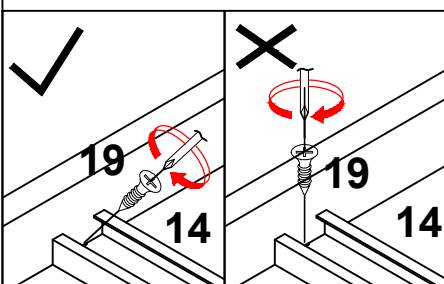


3		7	
4PCS		2PCS	
		12	
		2PCS	



STEP 13:

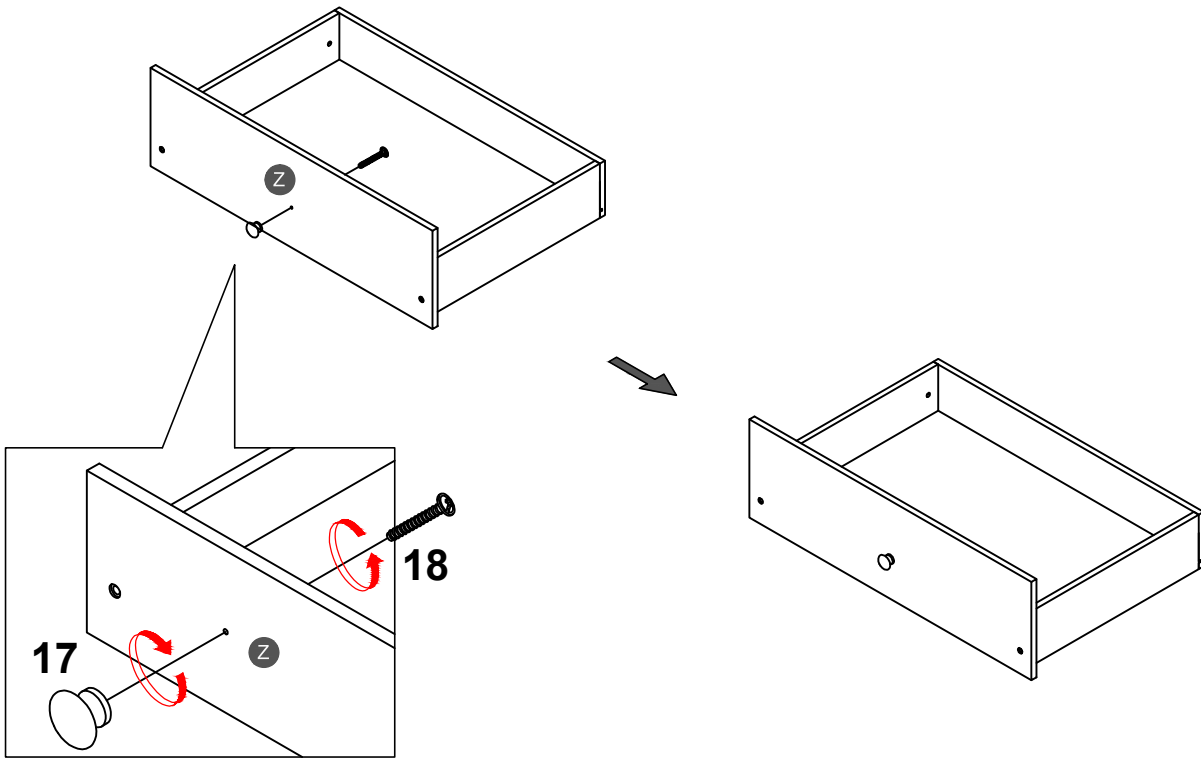


14		19	
1PC		3PCS	





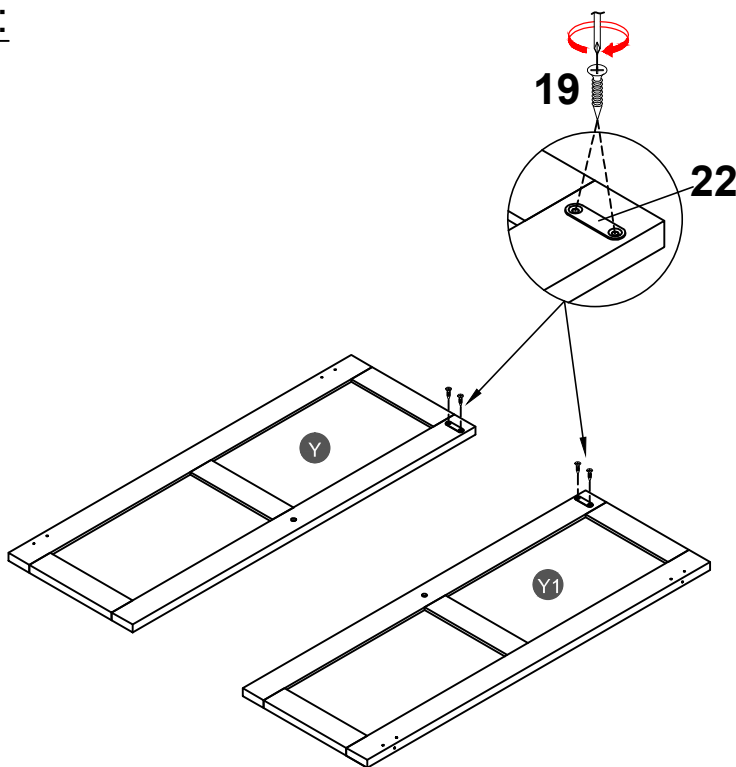
STEP 14:

17	18
	
1PC	1PC

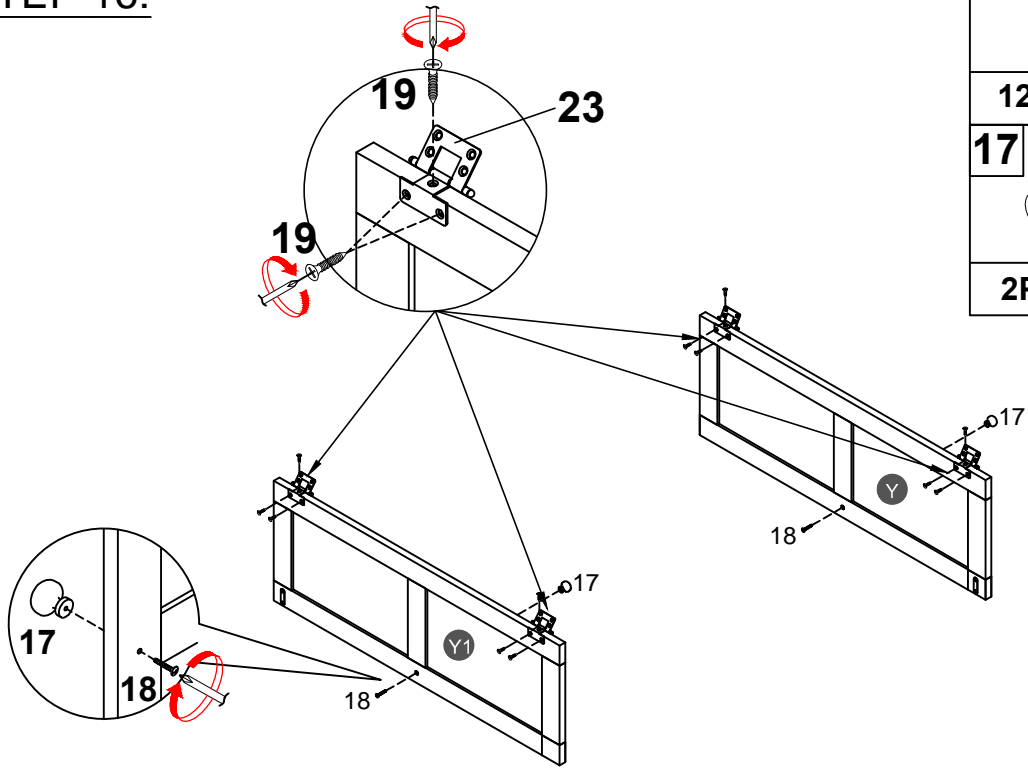


STEP 15:

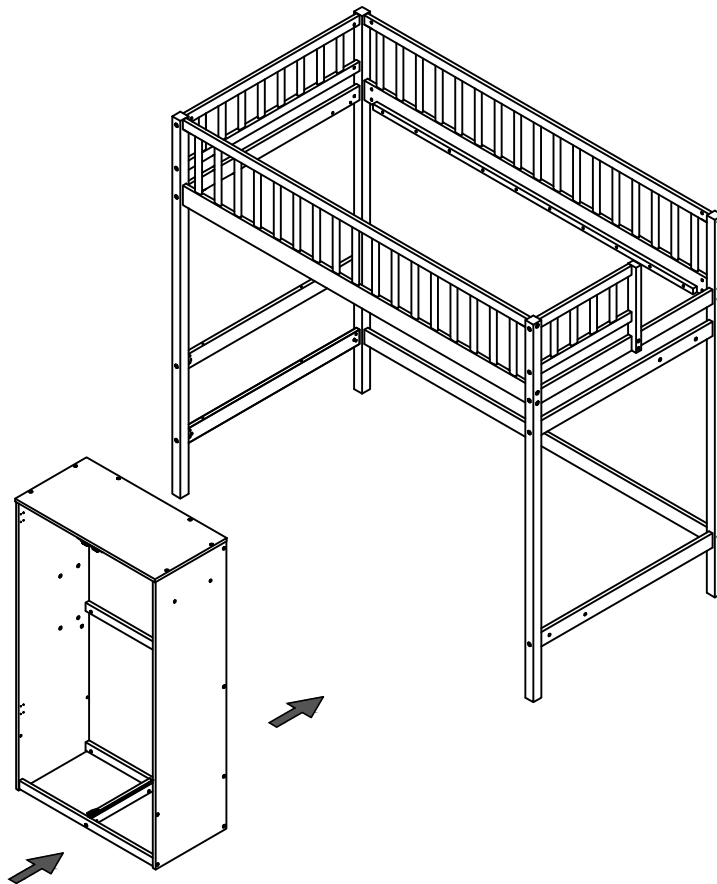
19	22
	
4PCS	2PCS



STEP 16:







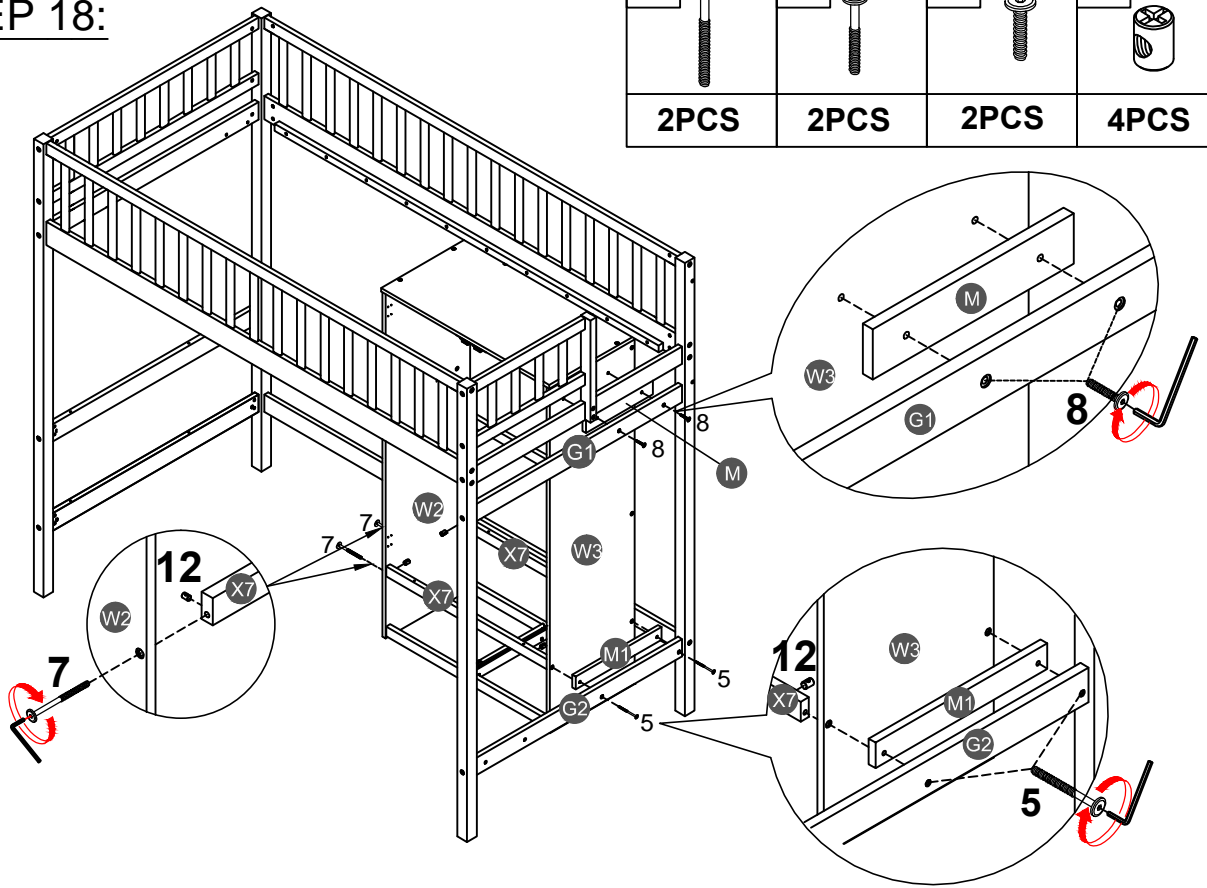
STEP 17:




Note: This product is only suitable for hanging children's clothing

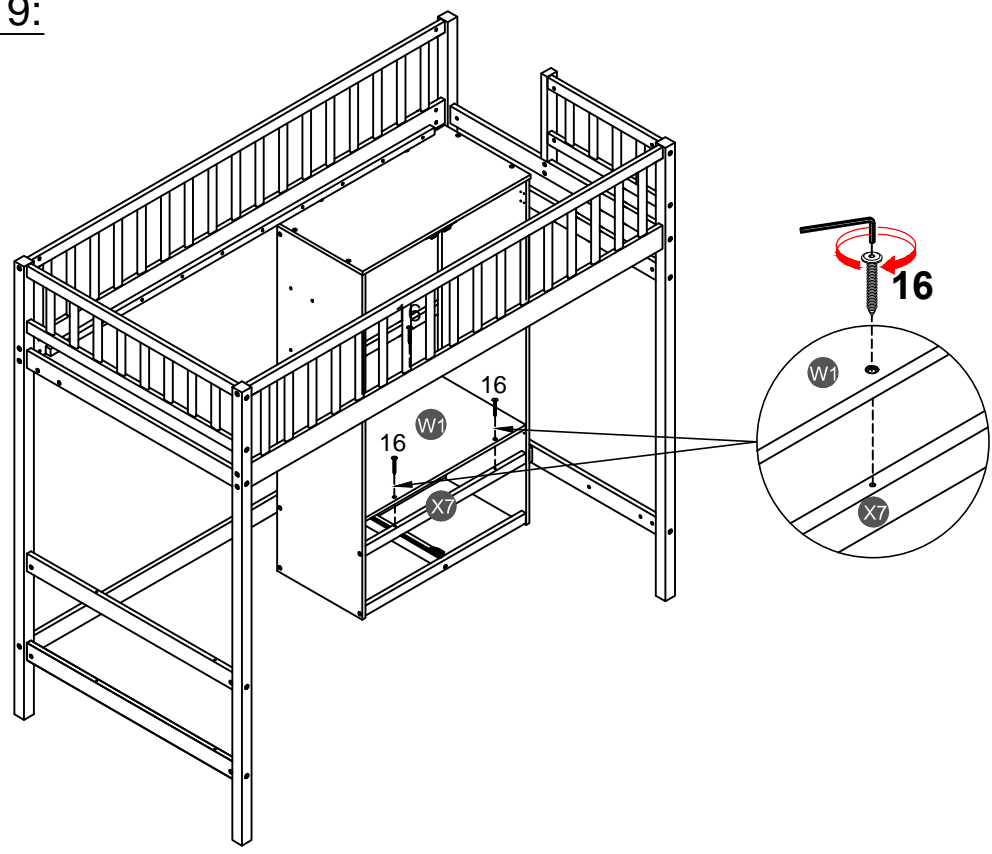
STEP 18:

5		7		8		12	
2PCS		2PCS		2PCS		4PCS	

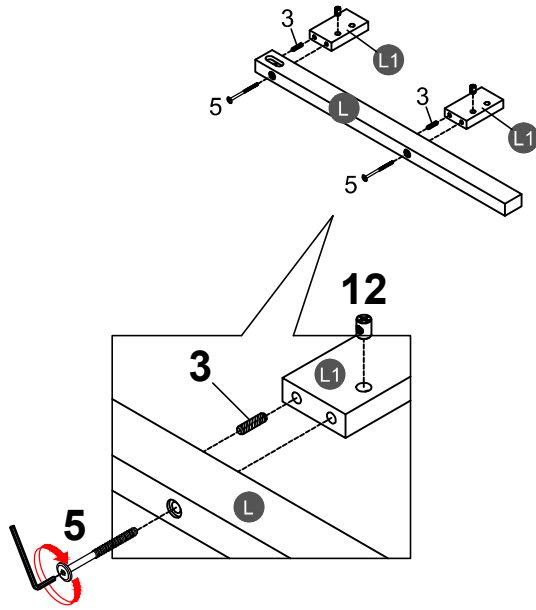


STEP 19:

16	
4PCS	

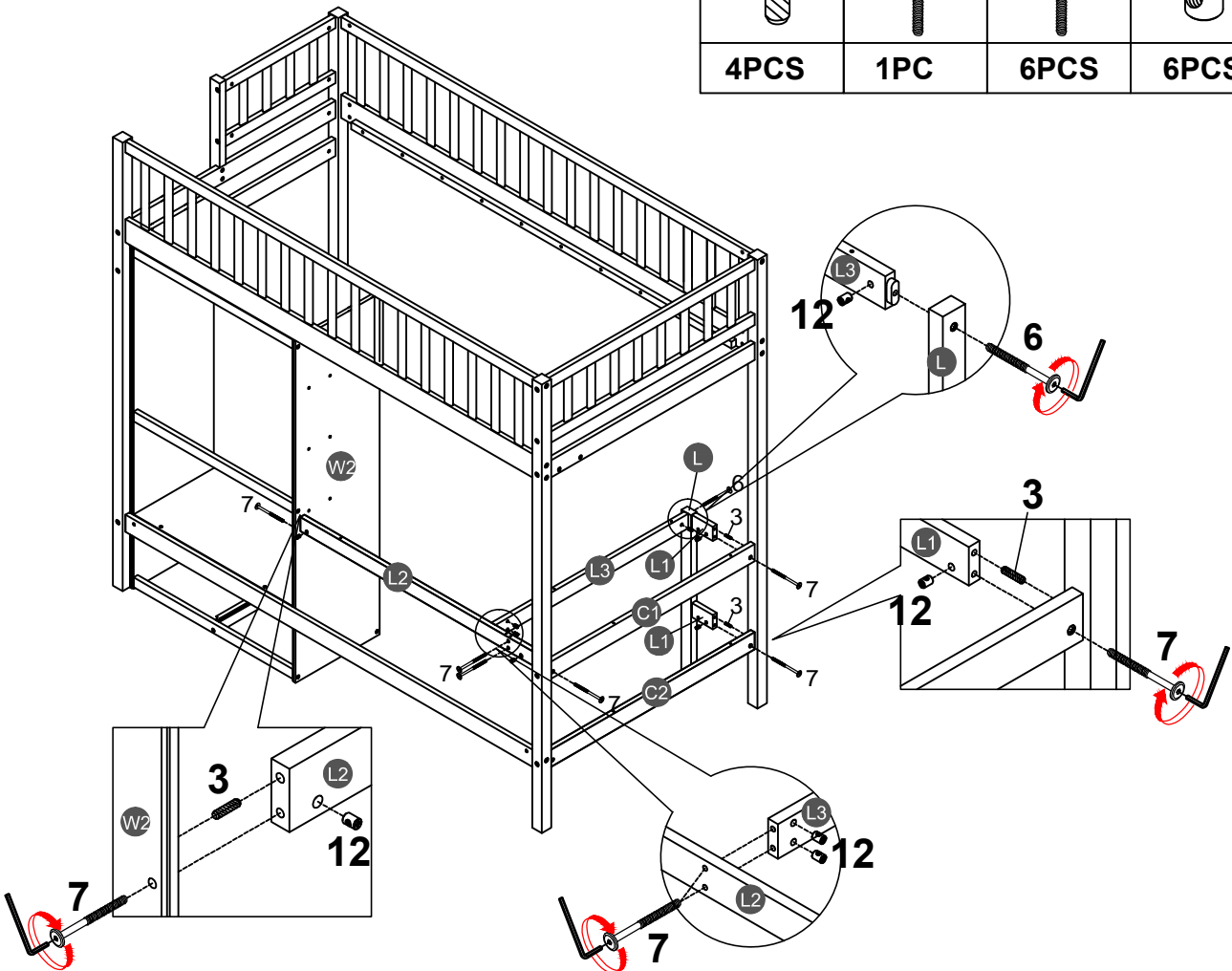


STEP 20:






3 	5
2PCS	2PCS
	12
	2PCS

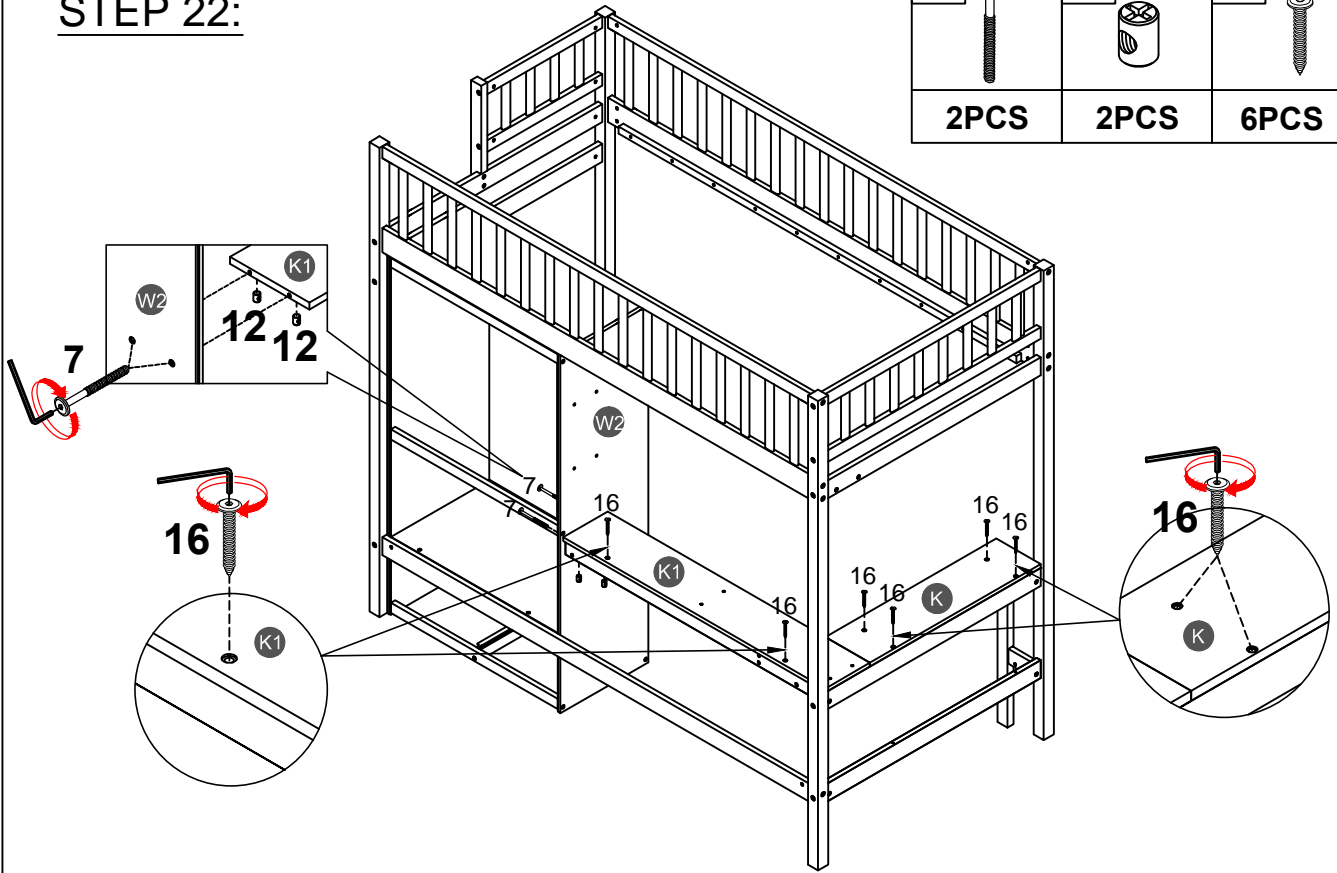
STEP 21:






3 	6 	7 	12
4PCS	1PC	6PCS	6PCS

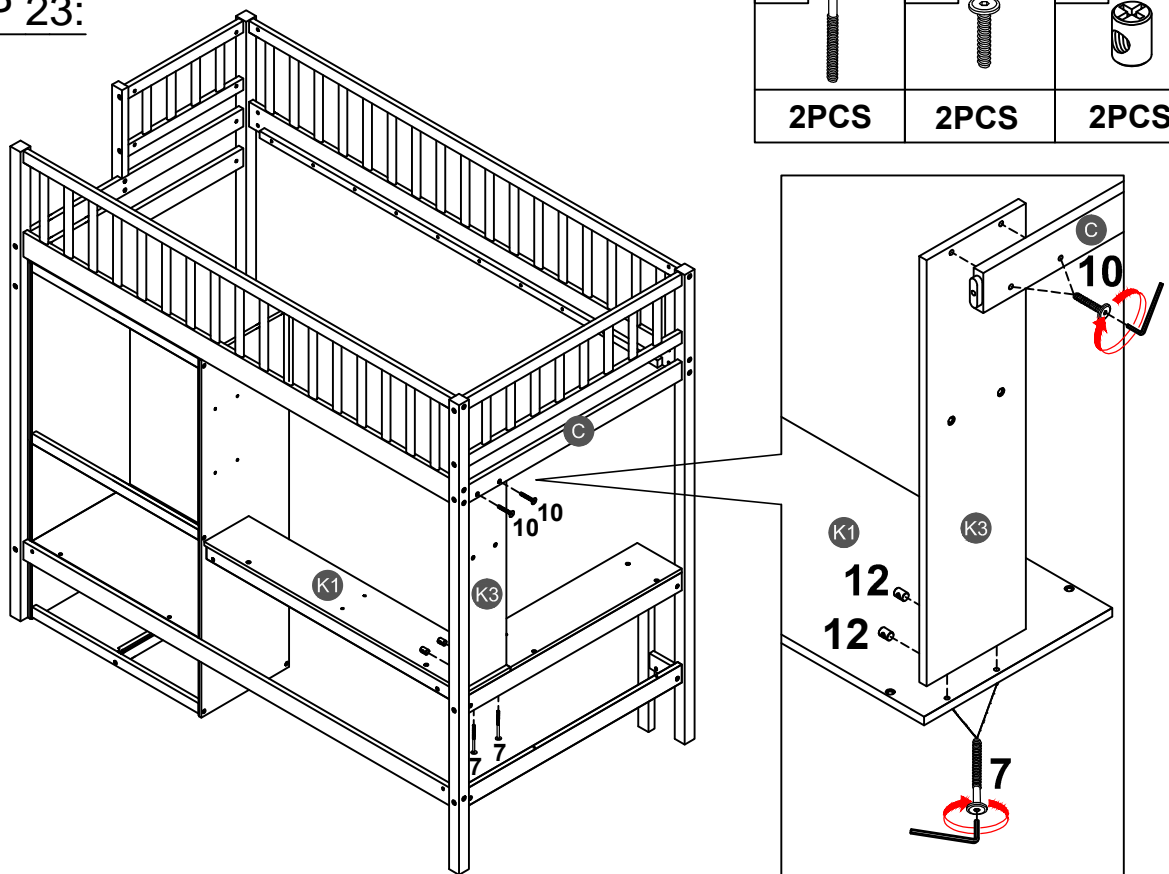
STEP 22:

7 	12 	16 
2PCS	2PCS	6PCS





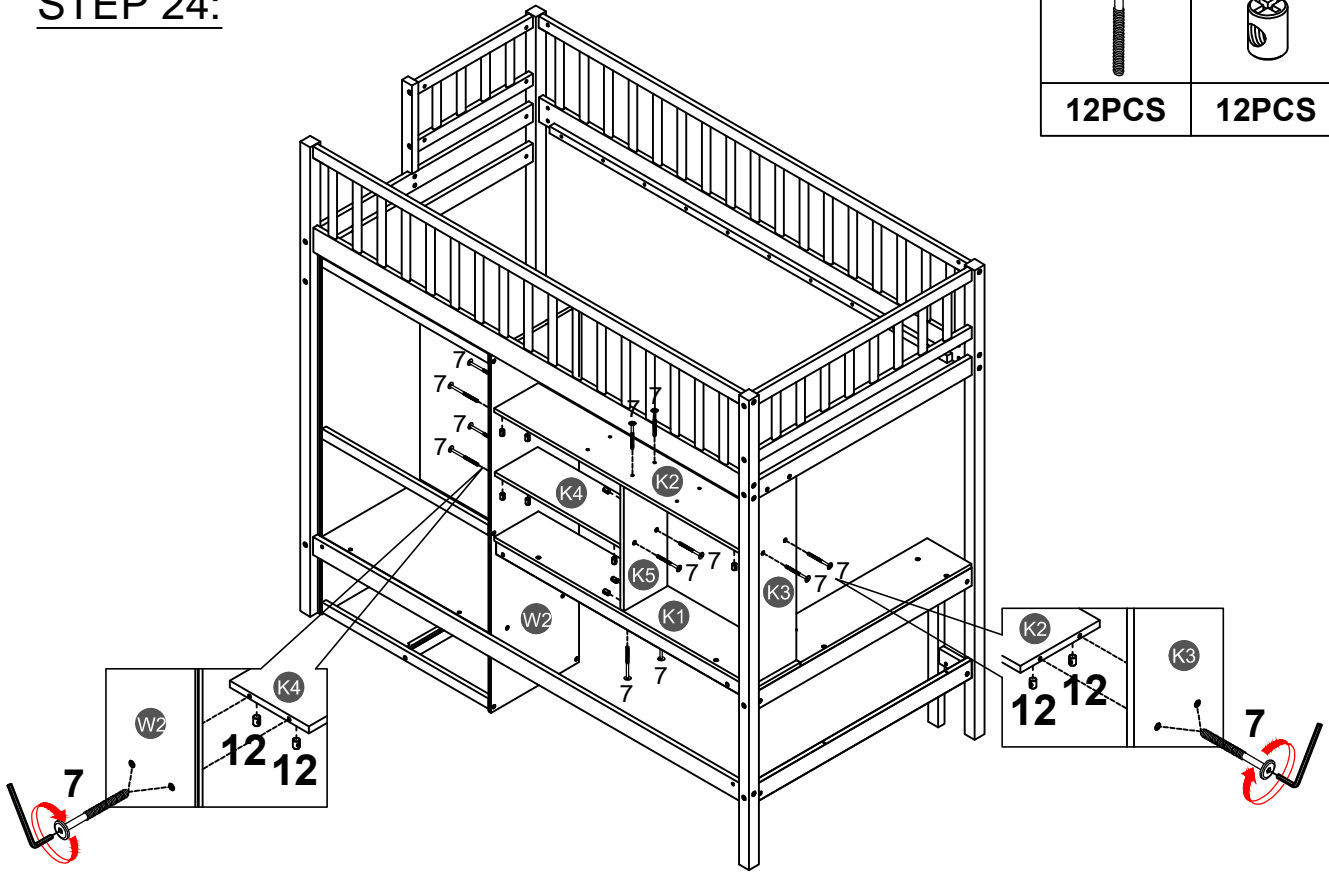
STEP 23:

7 	10 	12 
2PCS	2PCS	2PCS





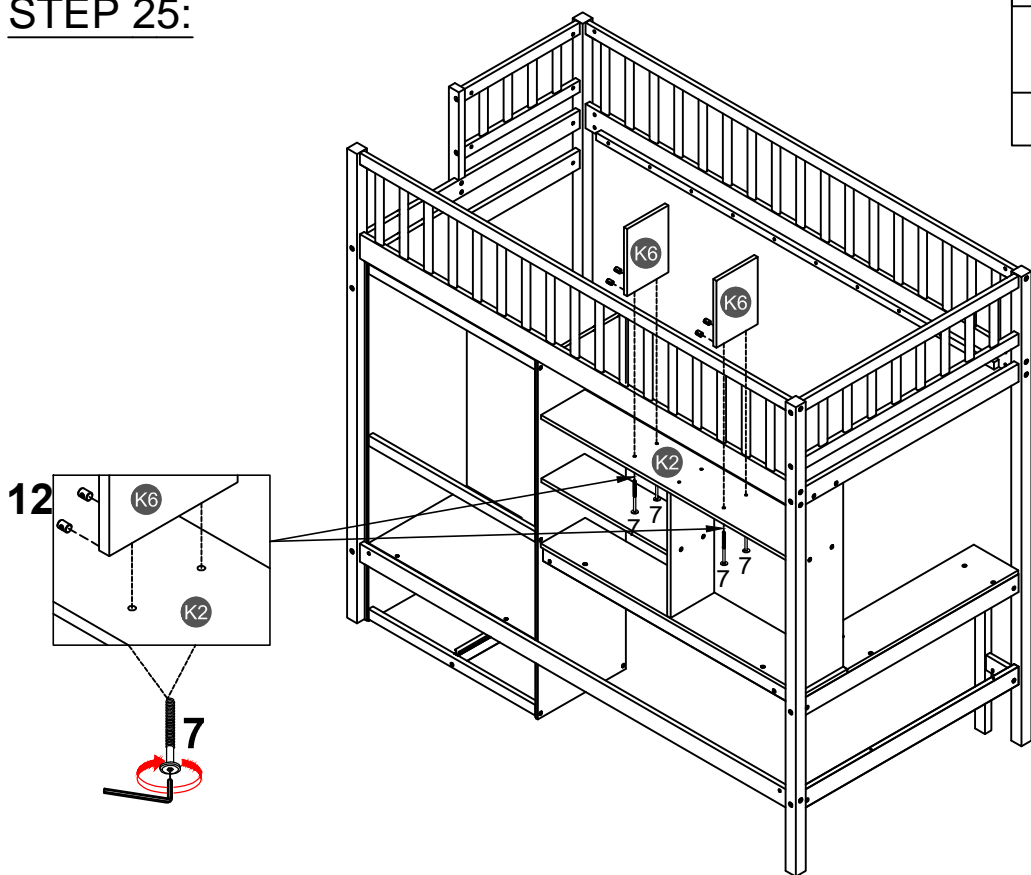
STEP 24:

7		12	
12PCS		12PCS	

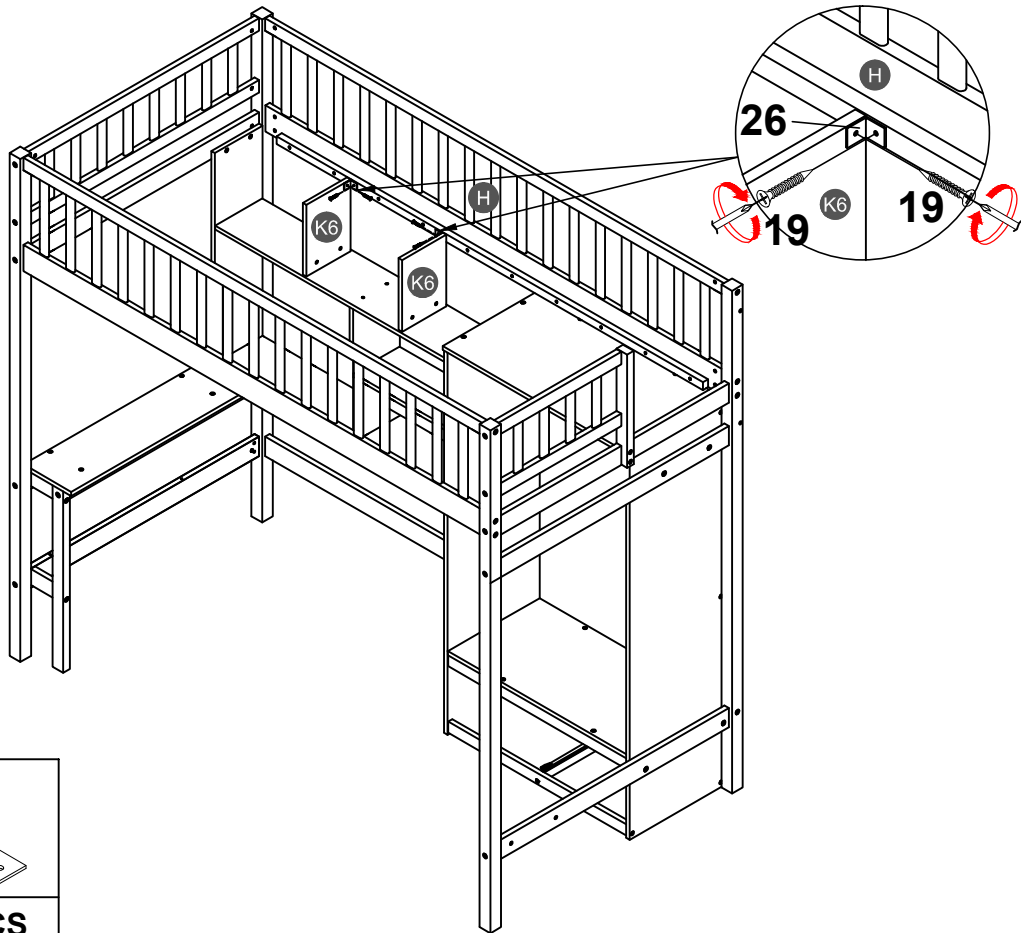



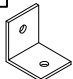
STEP 25:

7		12	
4PCS		4PCS	

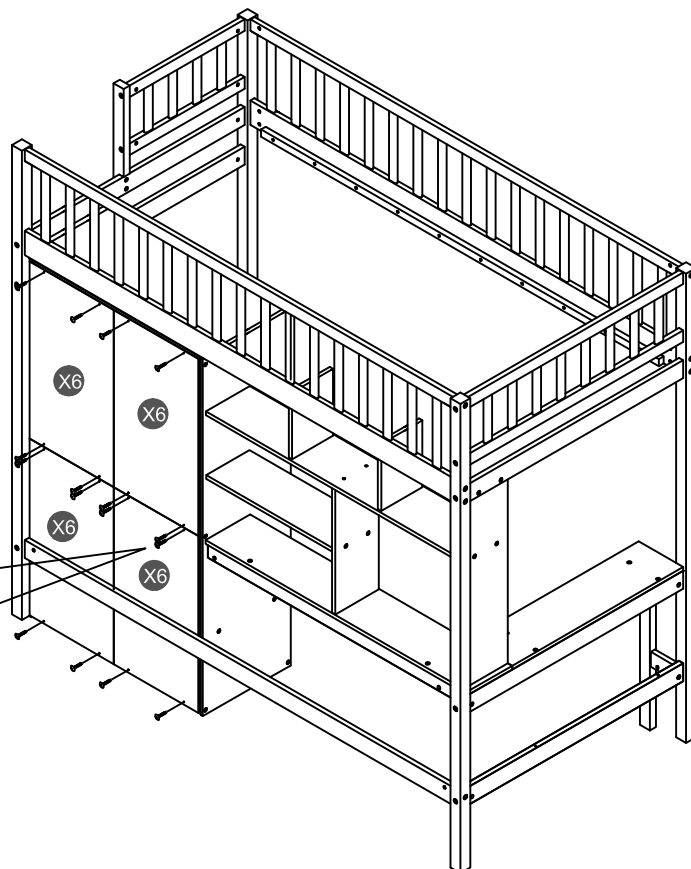



STEP 26:

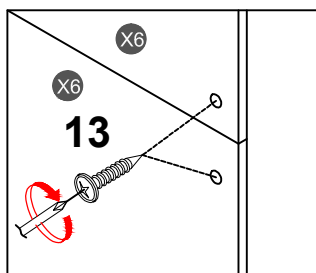


19 	26 
4PCS	2PCS

STEP 27:



13 
16PCS

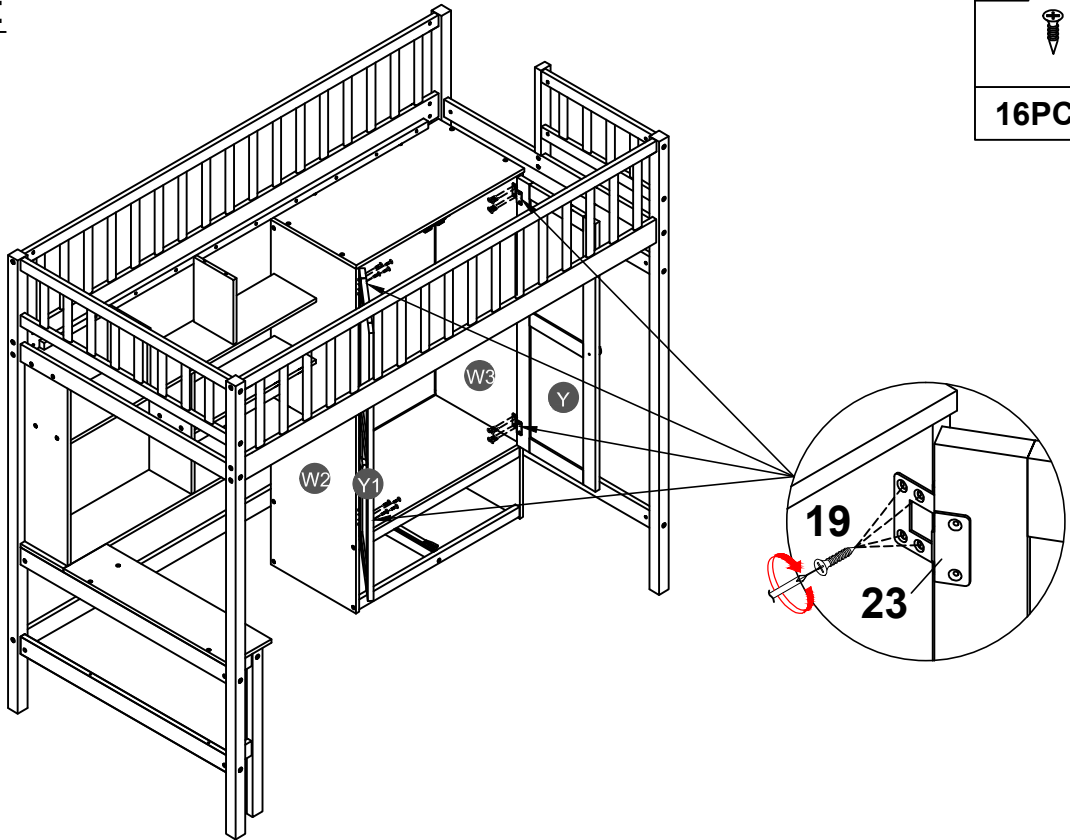


STEP 28:

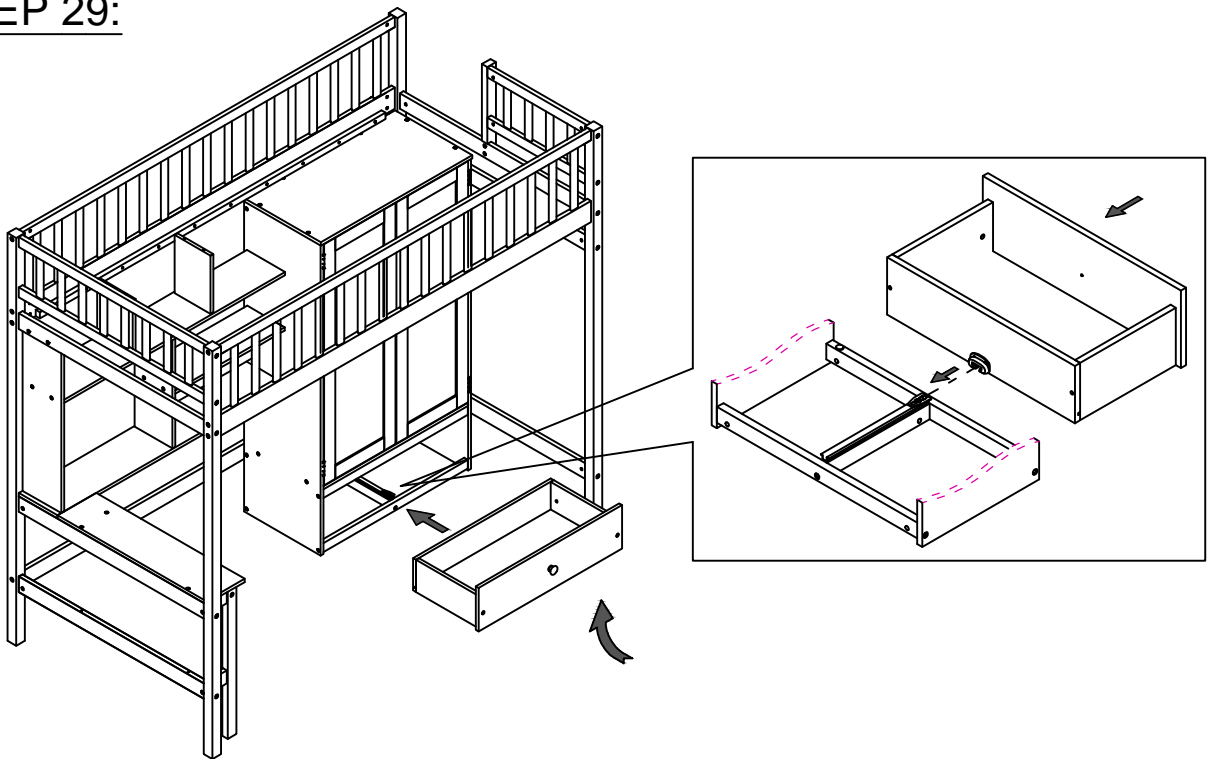
19



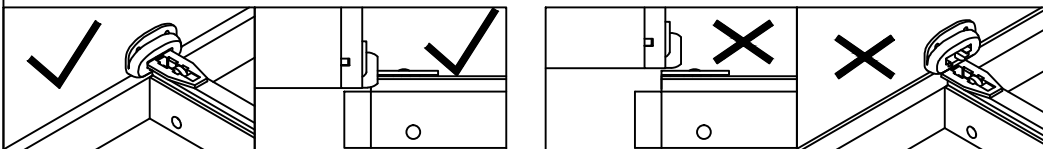
16PCS





STEP 29:

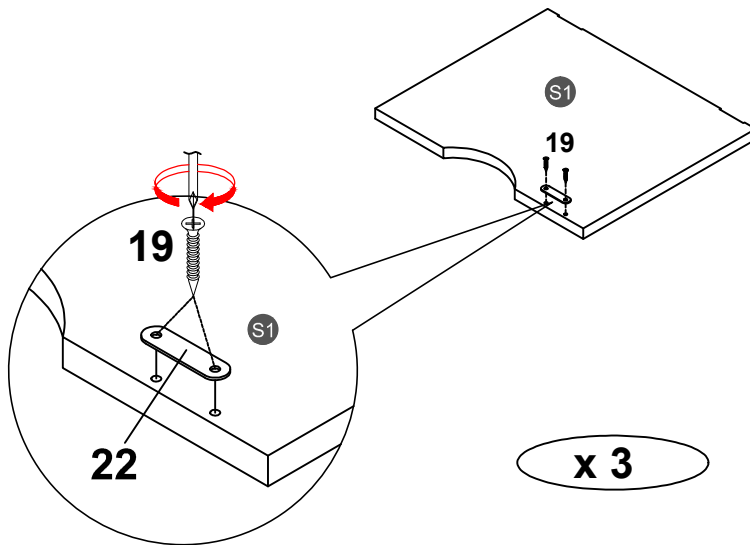


Align the slide rail at the bottom of the drawer and ensure it is secure, then push the drawer in firmly to make the slide rails smoothly on the track.


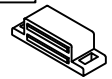


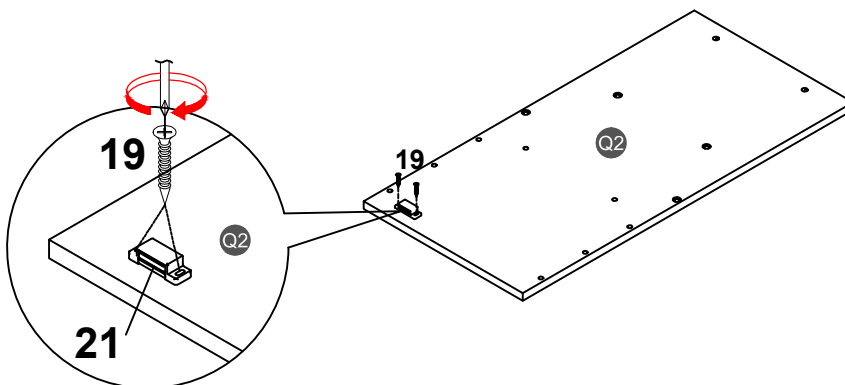
STEP 30:

19		22	
6PCS		3PCS	


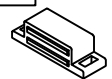


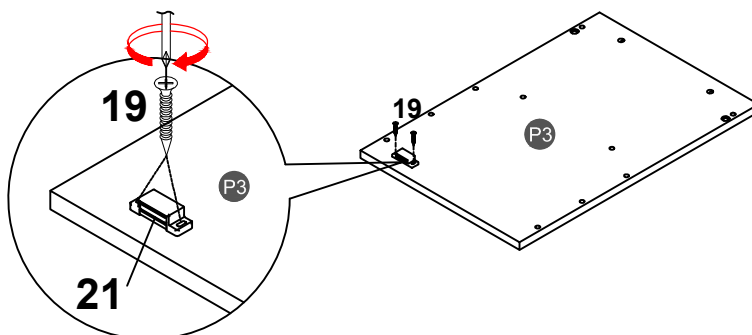
STEP 31:

19		21	
2PCS		1PC	


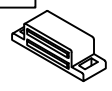


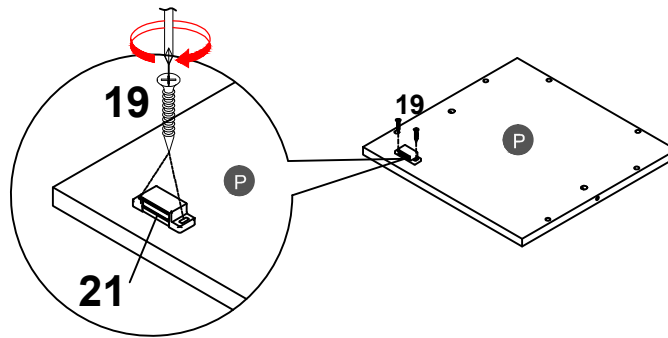
STEP 32:

19		21	
2PCS		1PC	





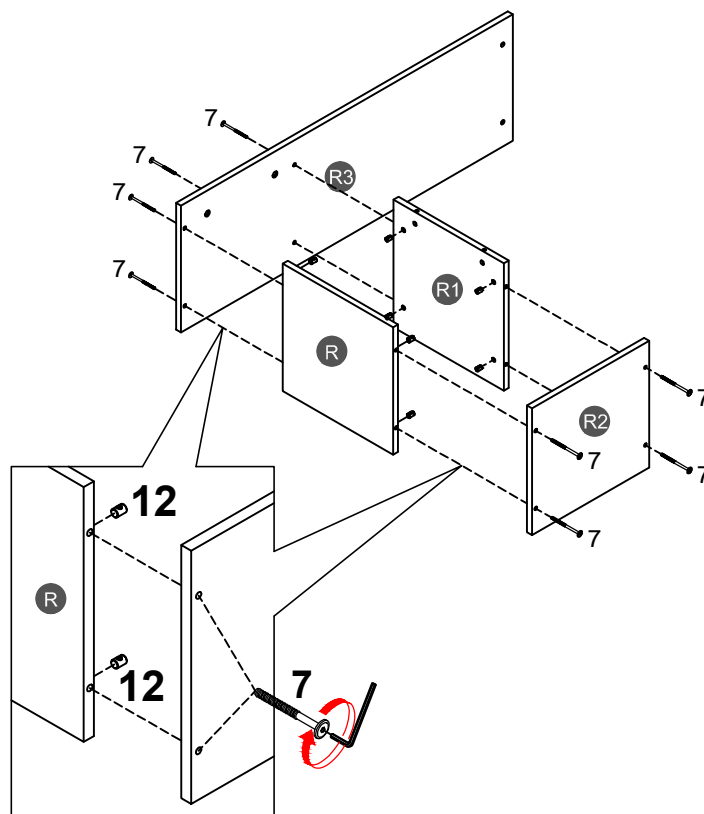
STEP 33:

19		21	
2PCS		1PC	

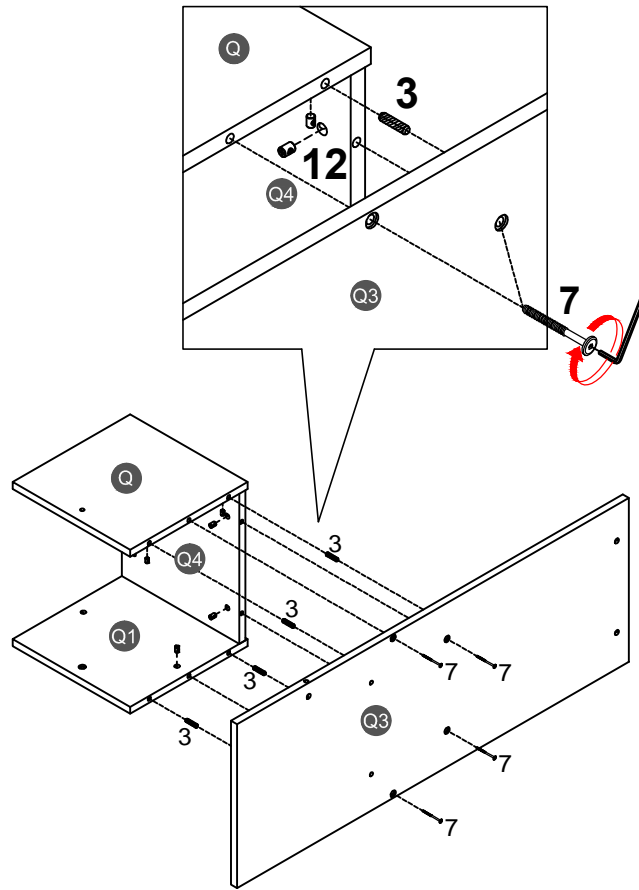





STEP 34:

7		12	
8PCS		8PCS	

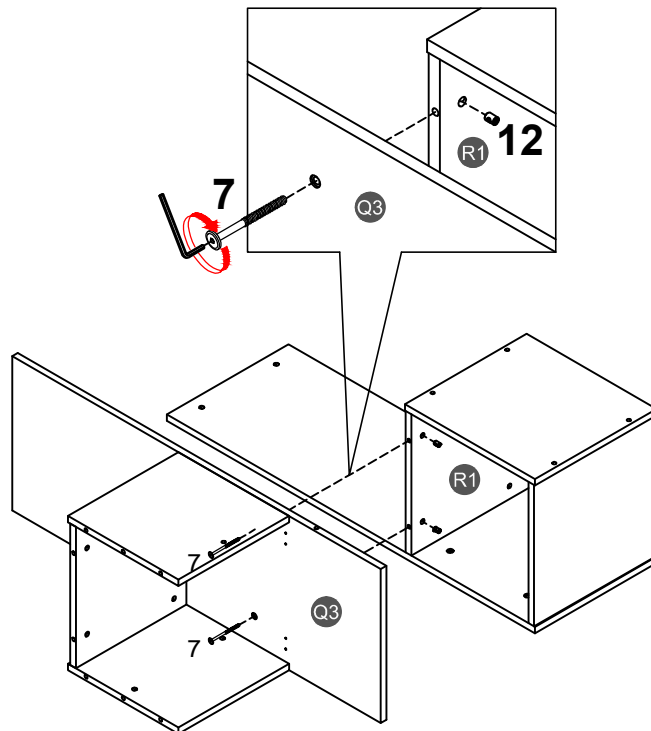




STEP 35:



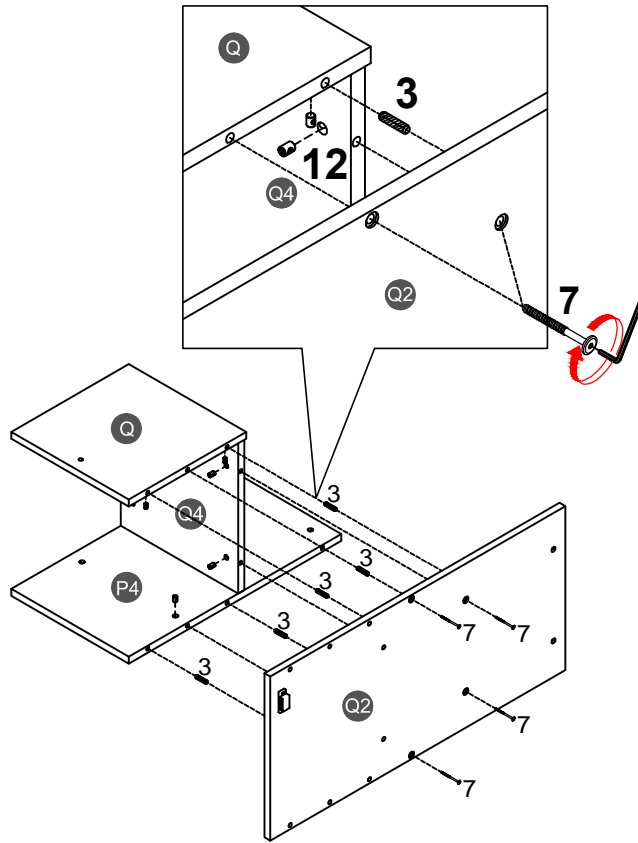
3		7		12	
4PCS		4PCS		4PCS	




STEP 36:



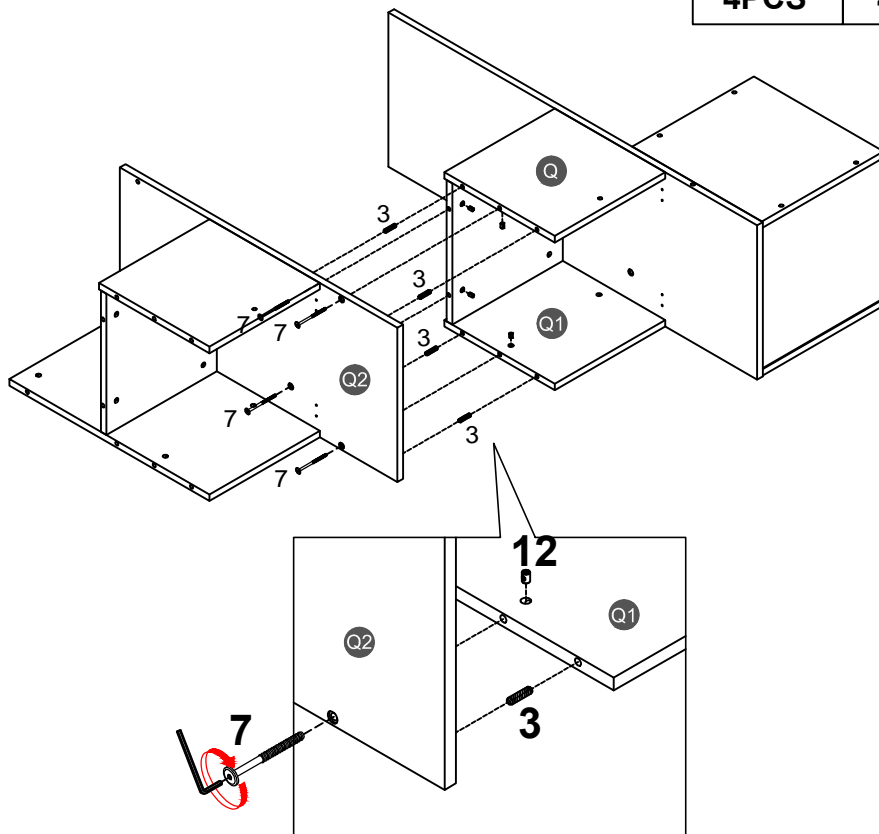
7		12	
2PCS		2PCS	




STEP 37:






3		7		12	
5PCS		4PCS		4PCS	

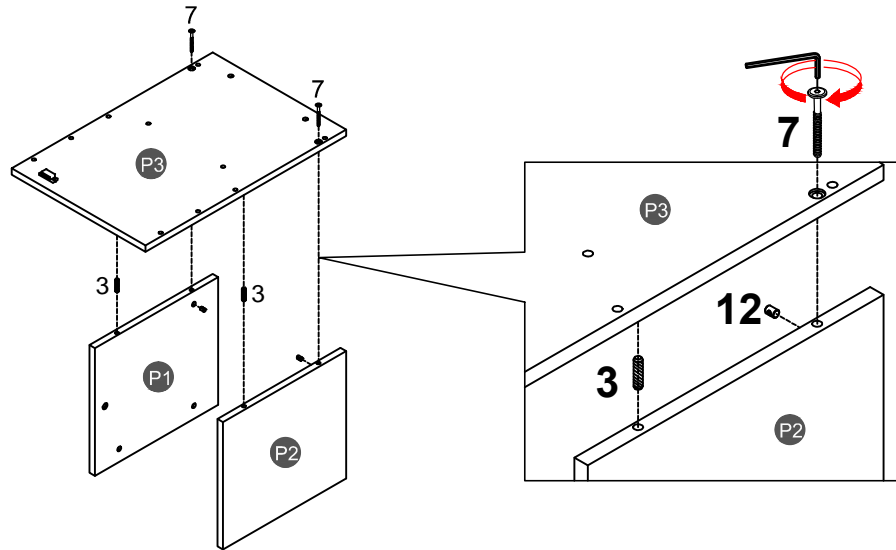
STEP 38:





3		7		12	
4PCS		4PCS		4PCS	

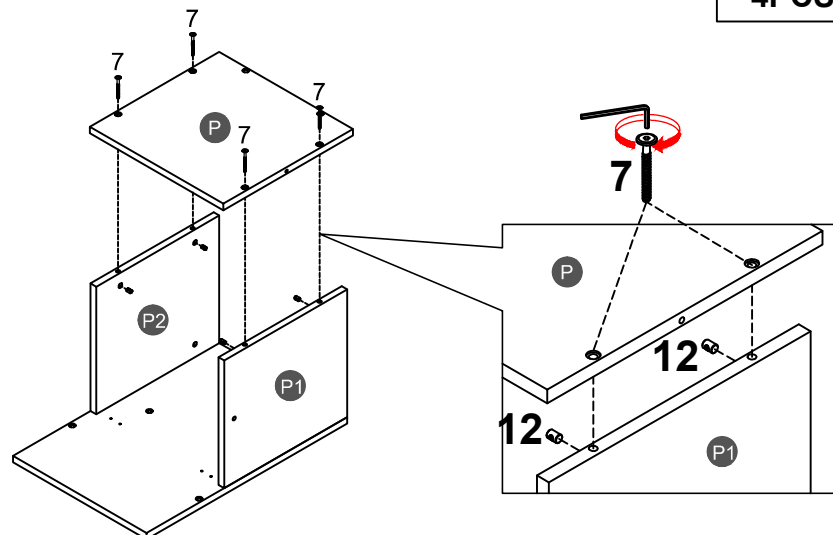
STEP 39:

3		7		12	
2PCS		2PCS		2PCS	

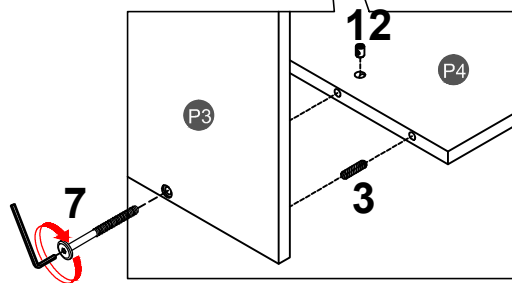
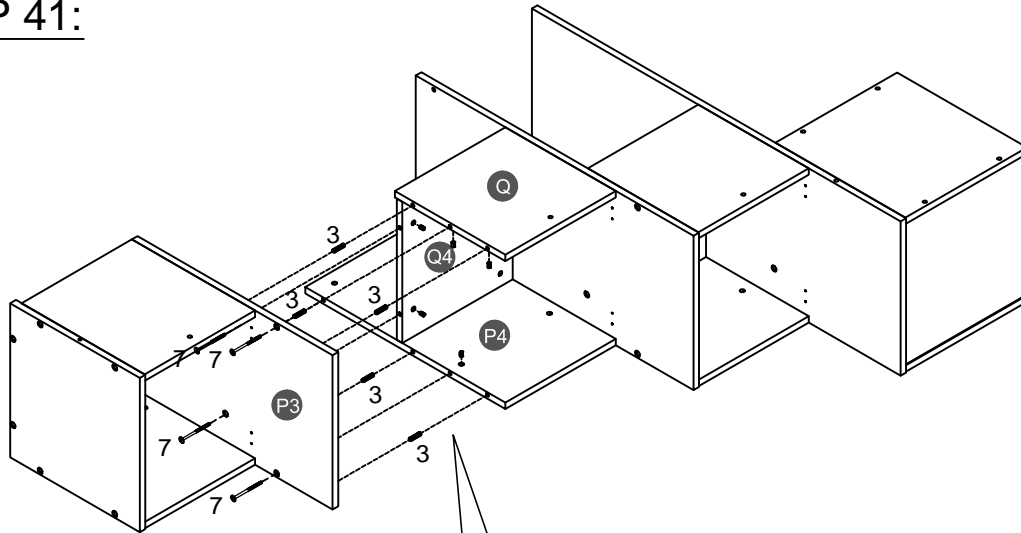





STEP 40:

7		12	
4PCS		4PCS	

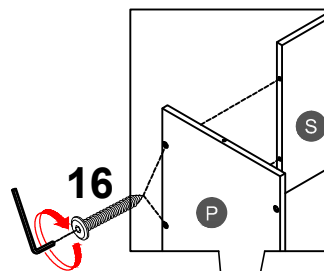
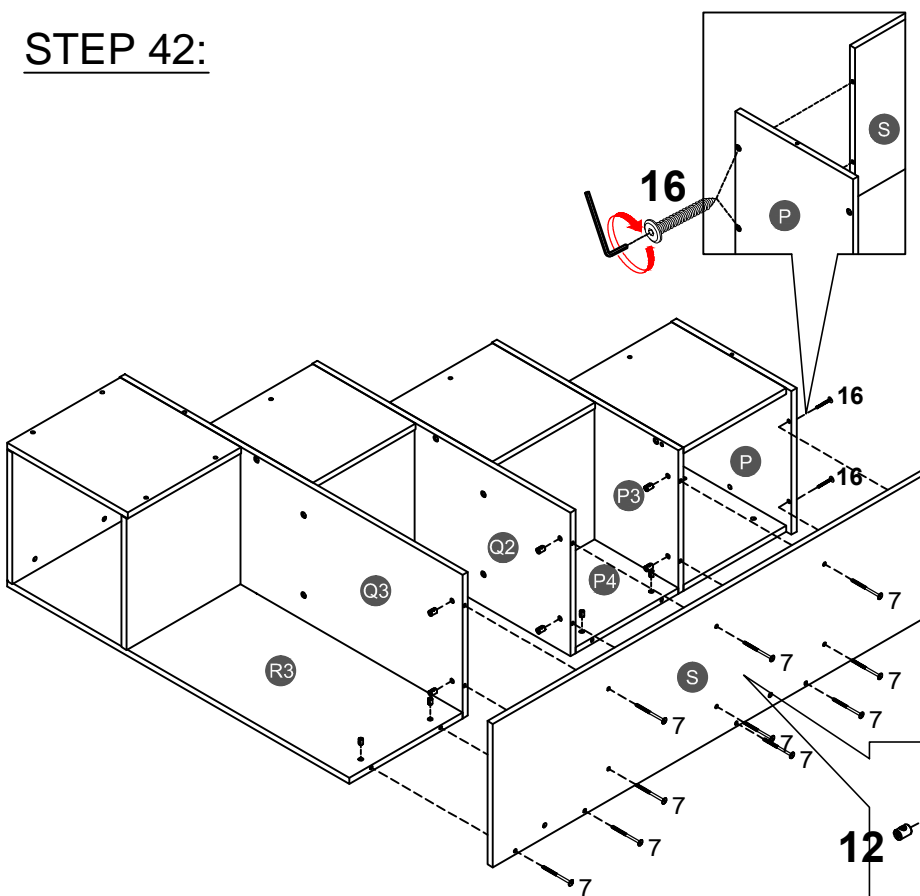




STEP 41:




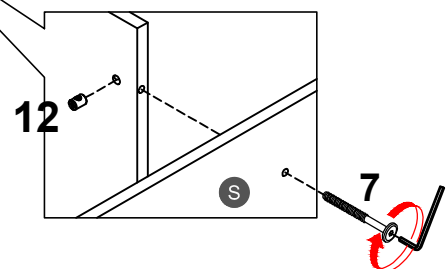
3		7		12	
5PCS		4PCS		4PCS	

STEP 42:

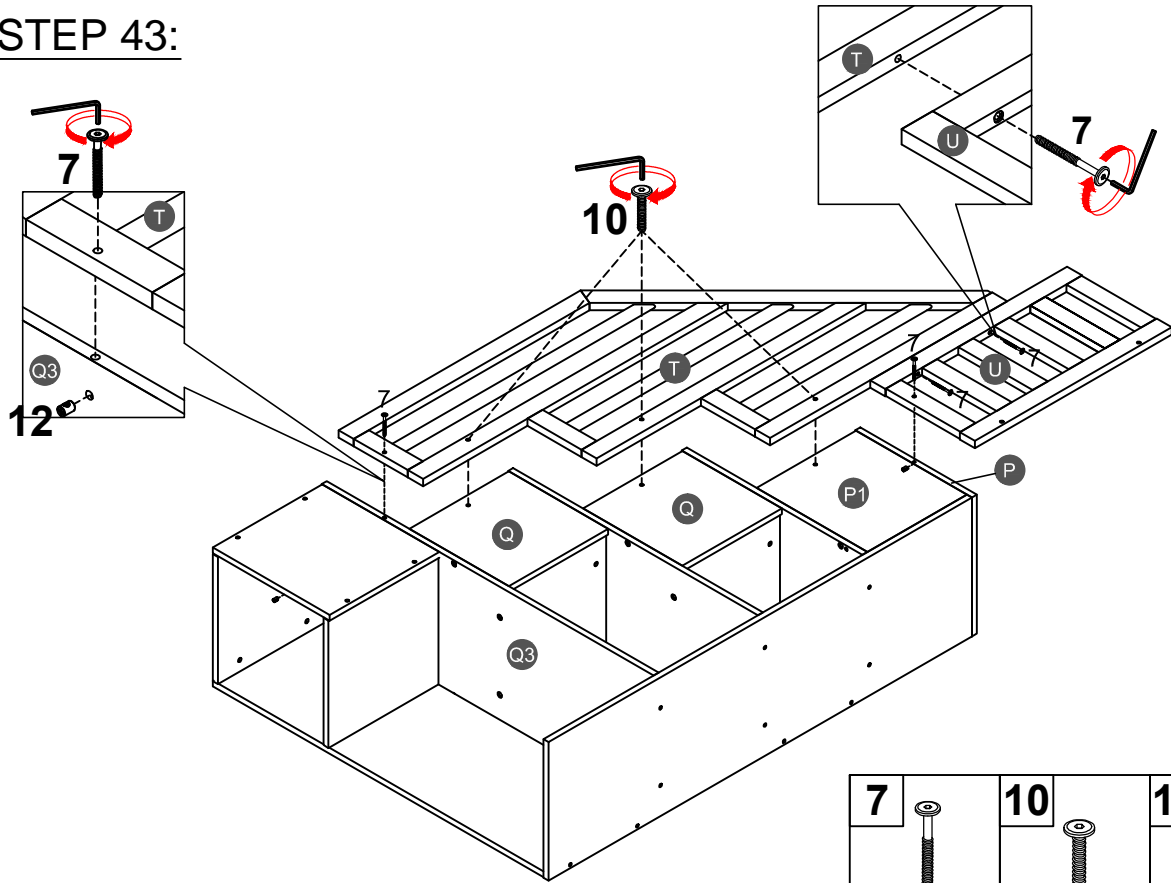





7		16	
10PCS		2PCS	

12	
10PCS	

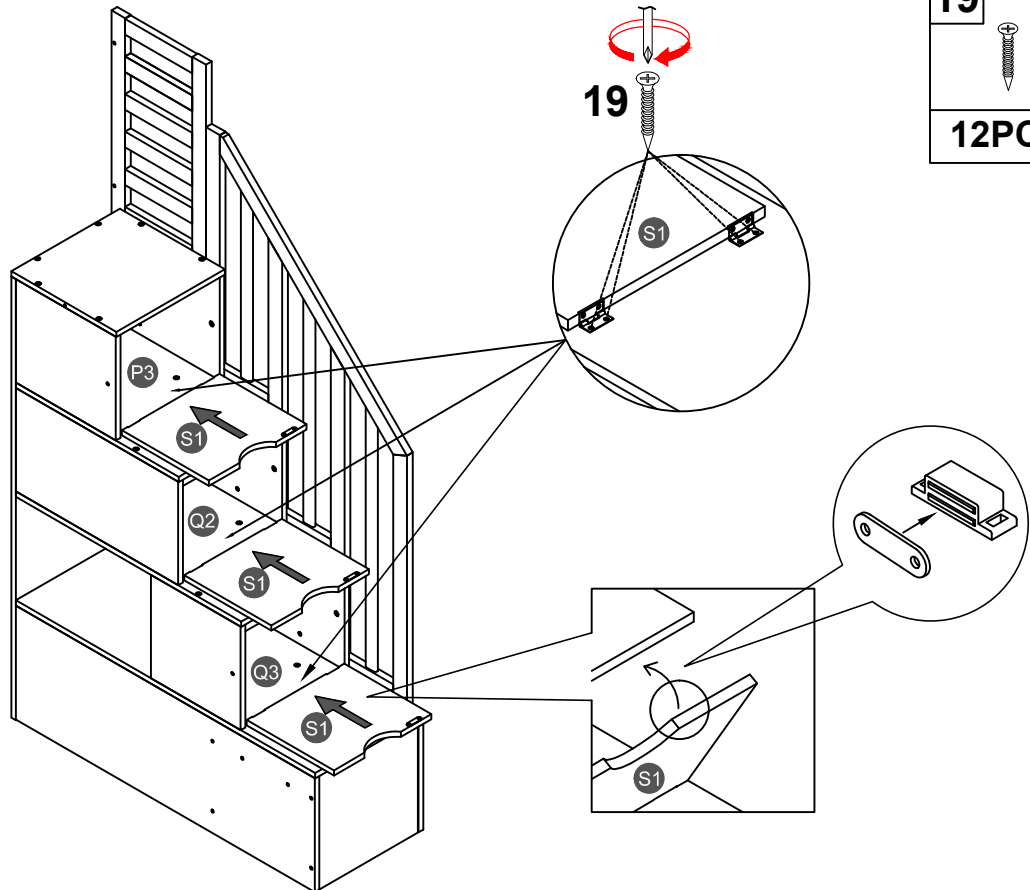



STEP 43:



7 	10 	12 
4PCS	3PCS	2PCS

STEP 44:



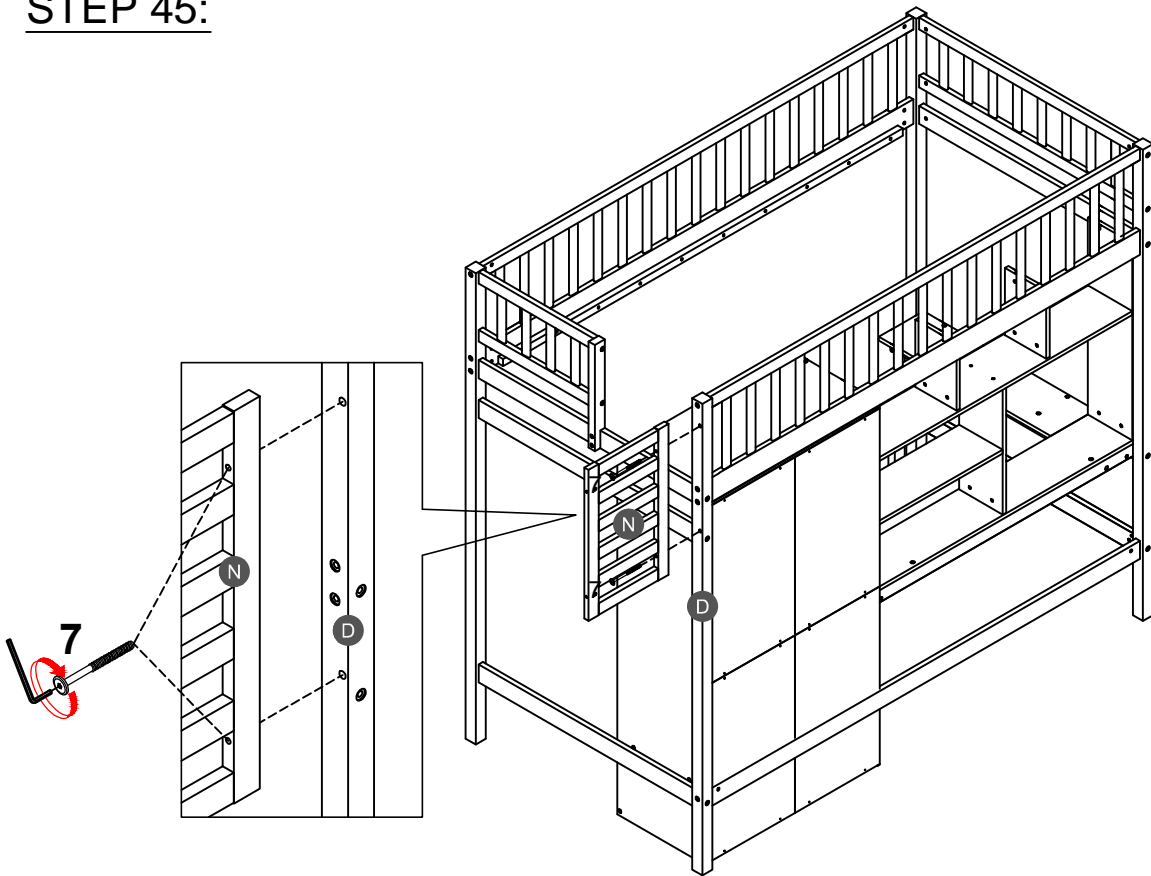
19 
12PCS

STEP 45:

7



2PCS



STEP 46:

7

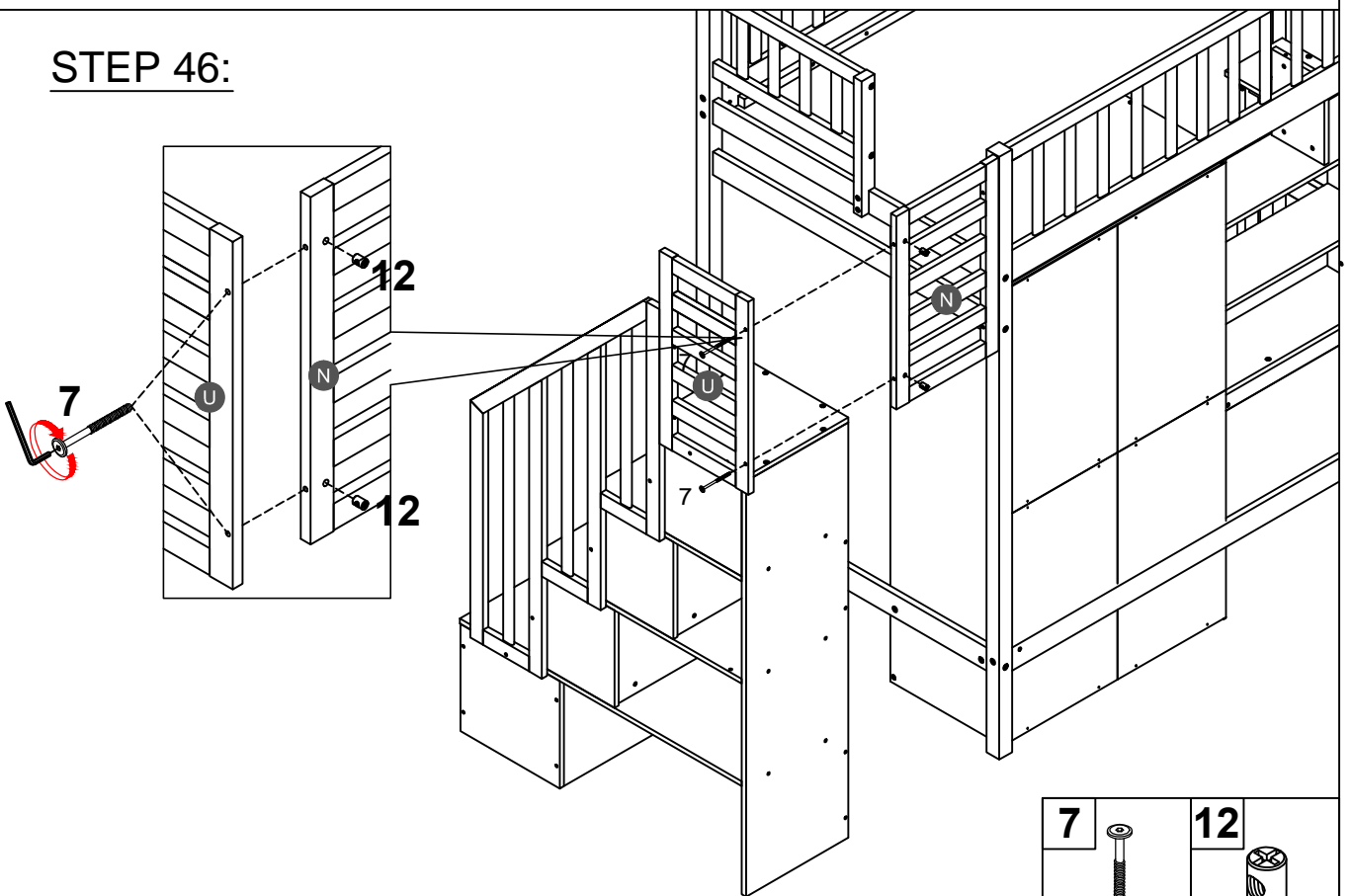


2PCS

12



2PCS

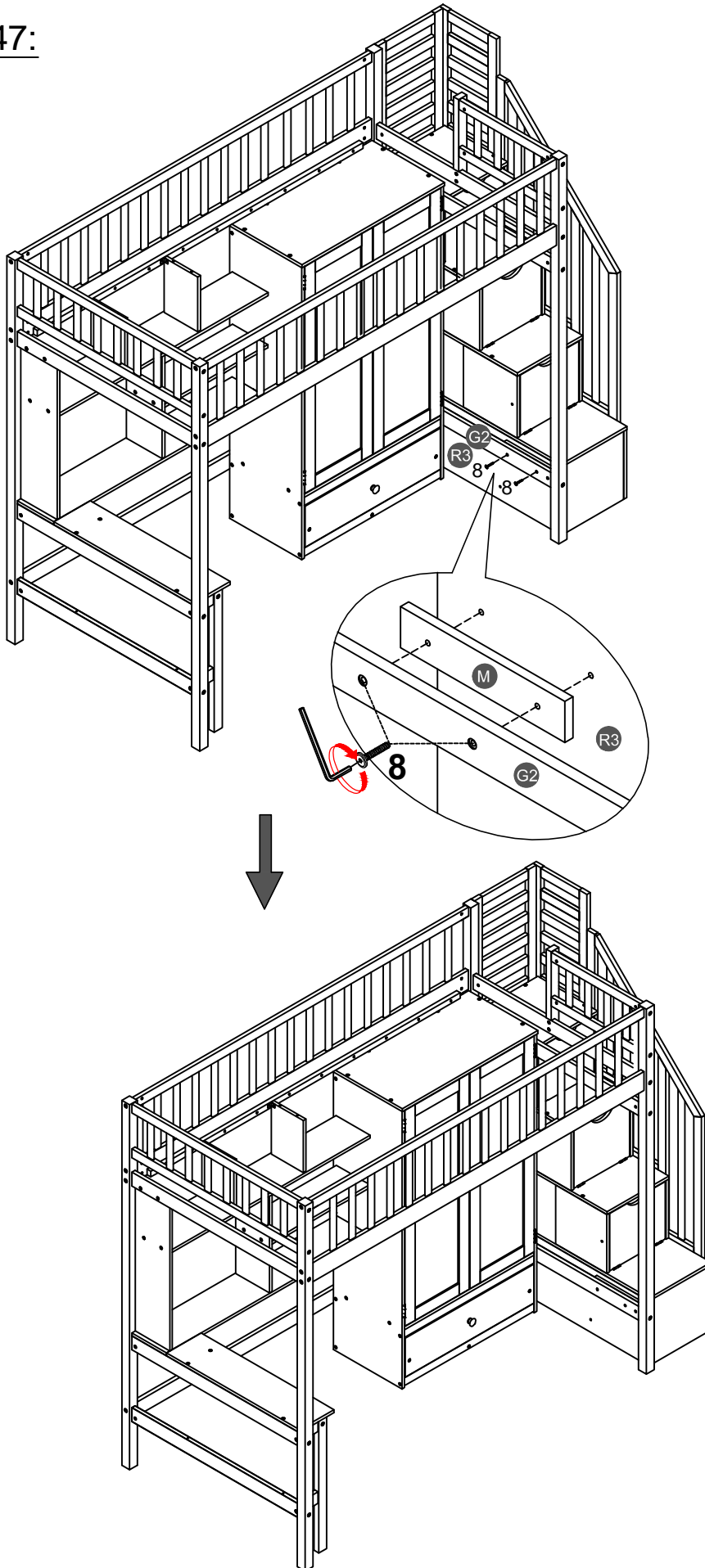


STEP 47:

8



2PCS

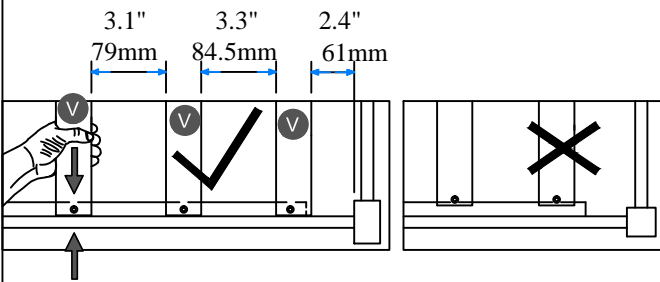
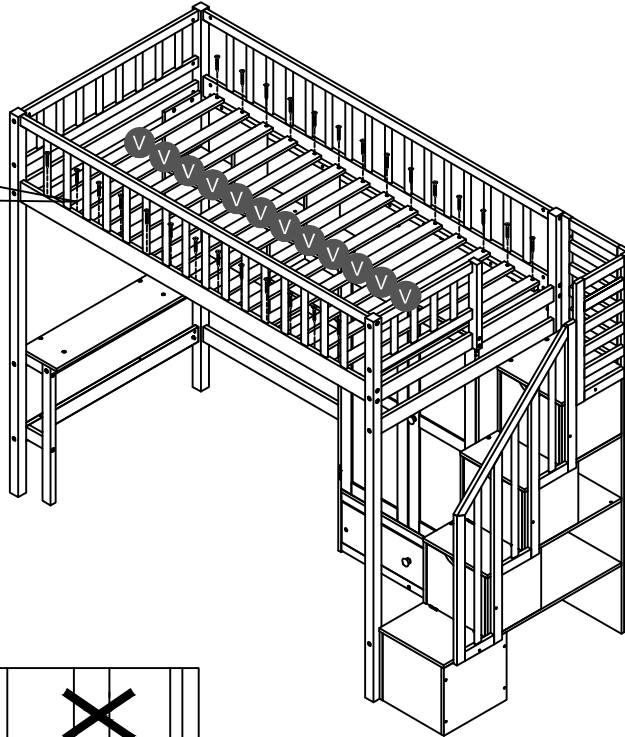
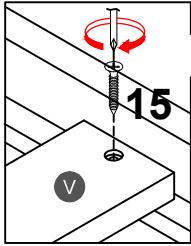


STEP 48:

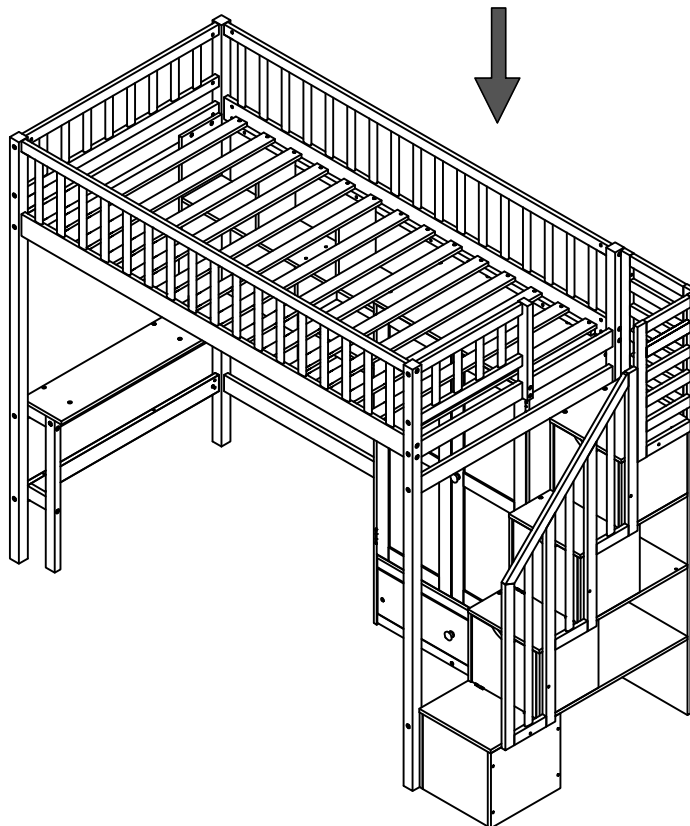
15



28PCS



NOTE: Please make sure the bed slats close to the side rail before locking the screws to avoid breakage. This step is required for both the left and right sides. Moreover, please do not lock the screws of the bed slats at the outermost edge to avoid damaging.



Make sure to tighten all the screws of the bed.