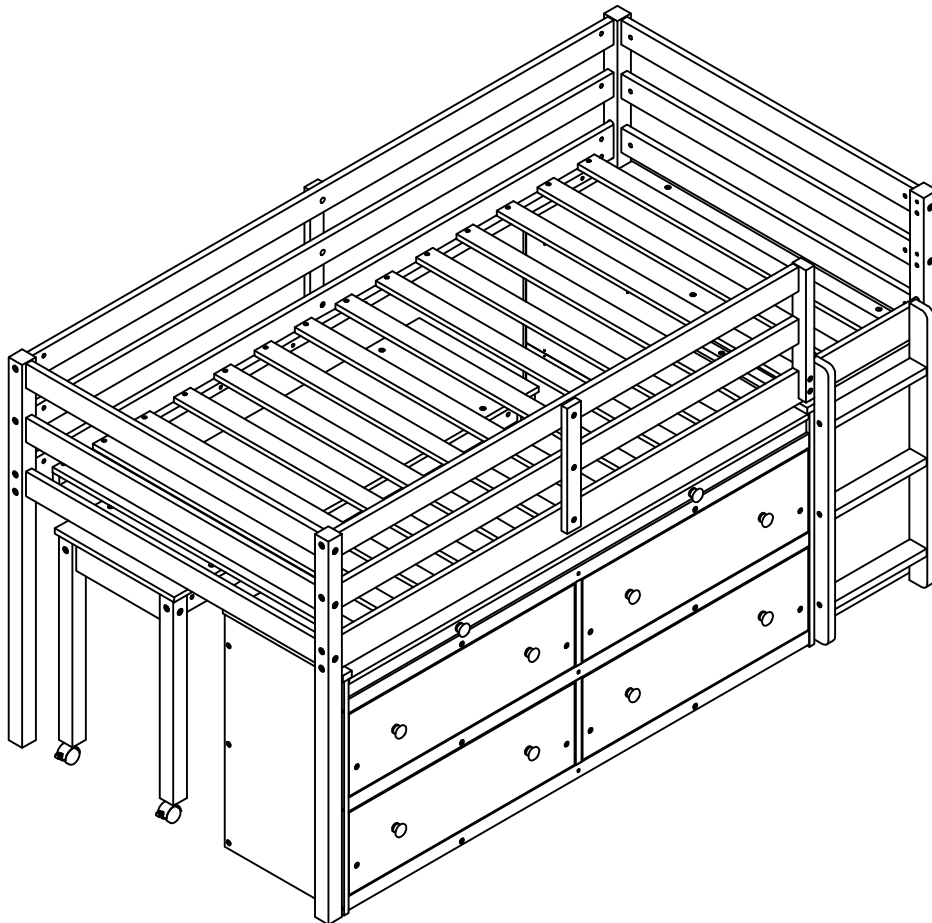


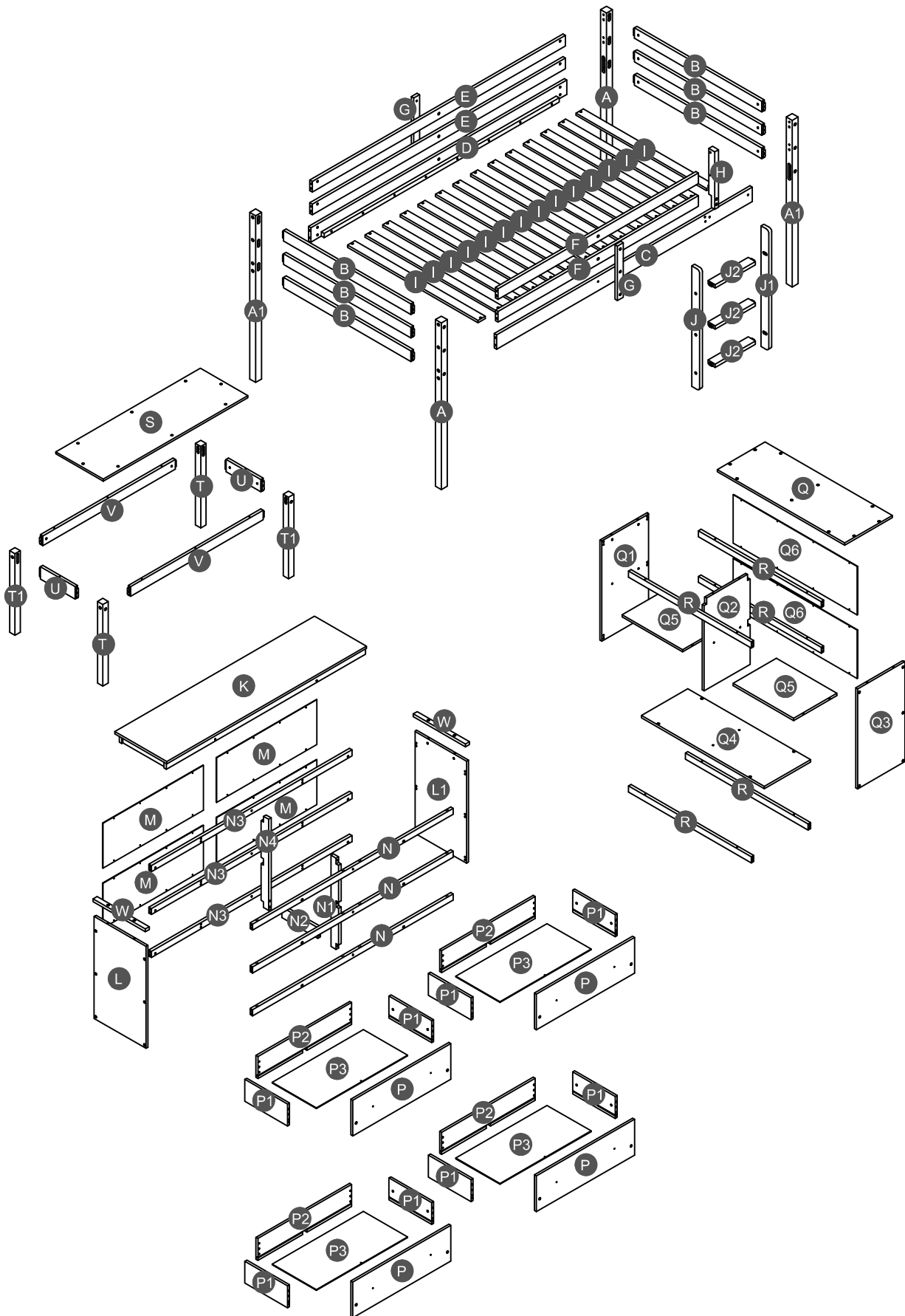
ASSEMBLY INSTRUCTIONS

TWIN LOFT BED WITH DESK, 4 DRAWERS CHEST, BOOKCASE



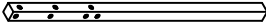
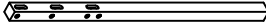
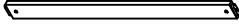





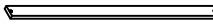
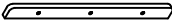

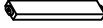
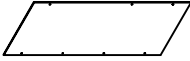
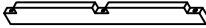


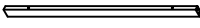
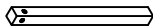
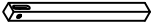
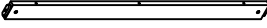
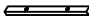
WF324226/WF324227

Detail View











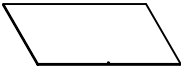
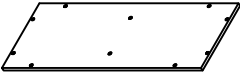

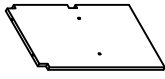


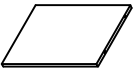
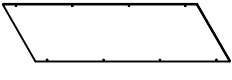
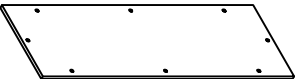

Part List

WF324226 - Hardware inside

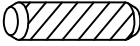
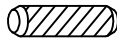
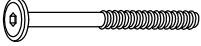
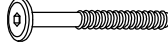






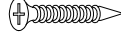
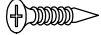


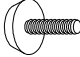

<p>A</p>  <p>Leg (Left Front/Right Back) - 2pcs</p>	<p>A1</p>  <p>Leg (Left Back/Right Front) - 2pcs</p>	<p>B</p>  <p>Horizontal bar FB/HB - 6pcs</p>
<p>C</p>  <p>Side rail (Front) - 1pc</p>	<p>D</p>  <p>Side rail (Back) - 1pc</p>	<p>E</p>  <p>Long guard rail (back) - 2pcs</p>
<p>F</p>  <p>Short guard rail (front) - 2pcs</p>	<p>G</p>  <p>Vertical guard rail - 2pcs</p>	<p>I</p>  <p>Slat - 14pcs</p>
<p>J</p>  <p>Ladder (left) - 1pc</p>	<p>J1</p>  <p>Ladder (right) - 1pc</p>	<p>J2</p>  <p>Step ladder - 3pcs</p>
<p>M</p>  <p>Back panel - 4pcs</p>	<p>N1+N4</p>  <p>Vertical bar (Front/Back) - 2pcs</p>	<p>P</p>  <p>Drawer front - 4pcs</p>
<p>P2</p>  <p>Drawer back - 4pcs</p>	<p>R</p>  <p>Horizontal bar (Front/Back) - 5pcs</p>	<p>T</p>  <p>Leg (Left Front/Right Back) - 2pcs</p>
<p>T1</p>  <p>Leg (Left Back/Right Front) - 2pcs</p>	<p>V</p>  <p>Apron (front-back) - 2pcs</p>	<p>W</p>  <p>Cap for upper - 2pcs</p>

Part List





WF324227 - Hardware inside

<p>H</p>  <p>Support guard rail (Right) - 1pc</p>	<p>K</p>  <p>Top - 1pc</p>	<p>L</p>  <p>Side panel (left) - 1pc</p>
<p>L1</p>  <p>Side panel (right) - 1pc</p>	<p>N</p>  <p>Horizontal bar (Front) - 3pcs</p>	<p>N3</p>  <p>Horizontal bar (Back) - 3pcs</p>
<p>N2</p>  <p>Lower support - 1pc</p>	<p>P1</p>  <p>Drawer (left/right) - 8pcs</p>	<p>P3</p>  <p>Drawer bottom - 4pcs</p>
<p>Q</p>  <p>Top panel - 1pc</p>	<p>Q1</p>  <p>Side panel (left) - 1pc</p>	<p>Q2</p>  <p>Divider panel - 1pc</p>
<p>Q3</p>  <p>Side panel (right) - 1pc</p>	<p>Q4</p>  <p>Bottom panel - 1pc</p>	<p>Q5</p>  <p>Shelf panel - 2pcs</p>
<p>Q6</p>  <p>Back panel - 2pcs</p>	<p>S</p>  <p>Top table - 1pc</p>	<p>U</p>  <p>Apron (left-right) - 2pcs</p>

Hardware List WF324227

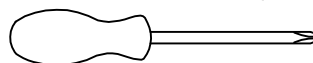
1  Ø10*40mm Wood dowel (8pcs)	2  Ø8*30mm Wood dowel (64pcs)	3  (Ø15)1/4"*100mm Hex-Head bolts (16pcs)
4  (Ø15)1/4"*80mm Hex-Head bolts (22pcs)	5  (Ø12)1/4"*60mm Hex-Head bolts (64pcs)	6  (Ø12)1/4"*40mm Hex-Head bolts (6pcs)
7  (Ø12)1/4"*35mm Hex-Head bolts (2pcs)	8  (Ø12)1/4"*30mm Hex-Head bolts (6pcs)	9  1/4"*15 (9.5mm) Horizontal-Hole bolts(102pcs)
10  (Ø12)1/4"*40mm Hex-Head bolts (20pcs)	11  (1/4")4.5*58mm Allen key (1pc)	12  Ø4*30mm Wood screws (28pcs)
13  Ø3.5*15mm Wood screws (18pcs)	14  Ø3.5*15mm Wood screws (48pcs)	17  340*30mm Upper slider drawer (6pcs)
20  1/4"*25mm Leveler (1pc)	21  365*58*28 mm Lower slider drawer (6pcs)	

Hardware List WF324226

15  64*52*95mm Castor (2pcs)	16  64*52*95mm Castor (2pcs)	18  Ø38*31mm Pine Knob (10pcs)
19  3/16"*25mm Ph zinc(Knob) (10pcs)		

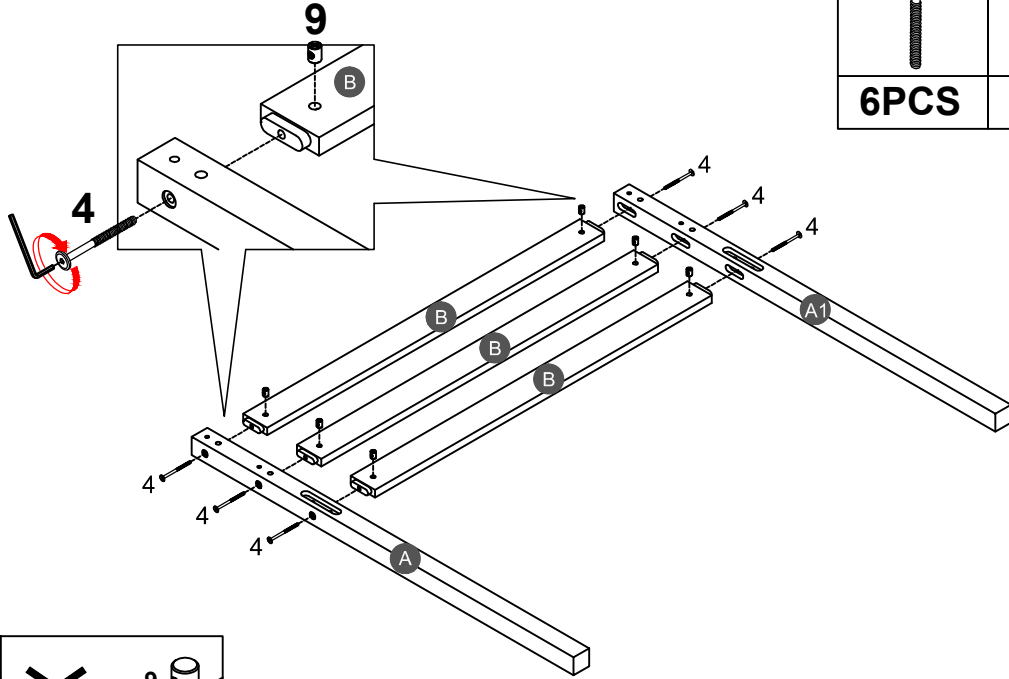




ASSEMBLY TOOLS REQUIRED (NOT INCLUDED)

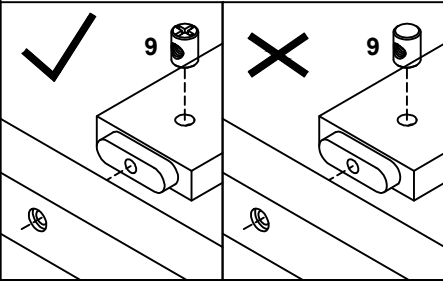


PLEASE BE CAREFUL DO NOT DAMAGE THE HOLE POSITION WHEN YOU USE POWER TOOLS !

STEP 1:

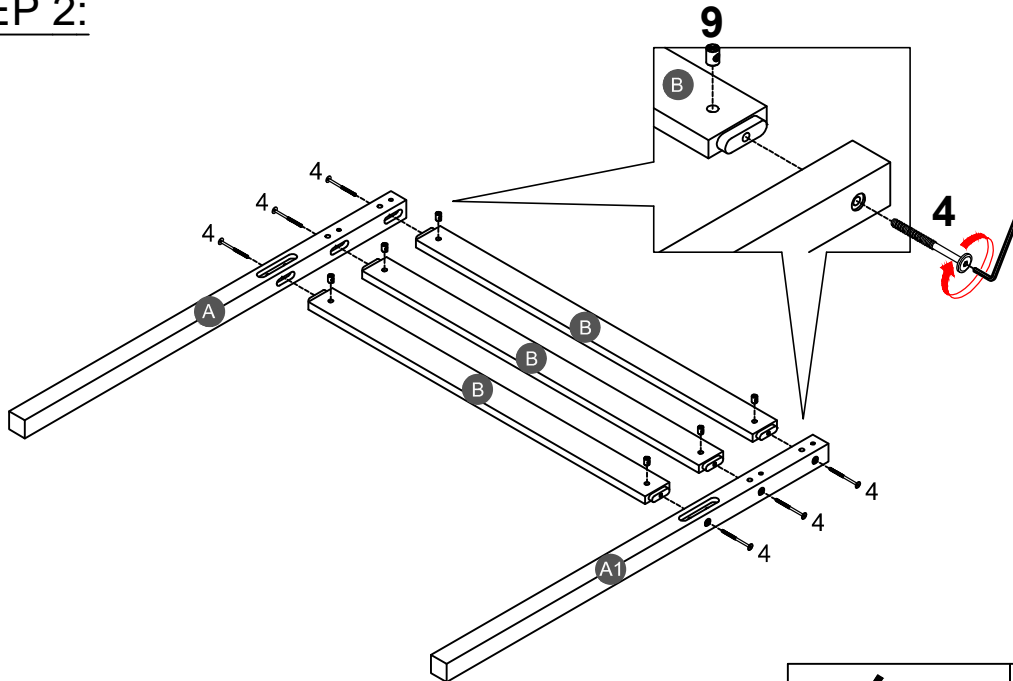




4		9	
6PCS		6PCS	

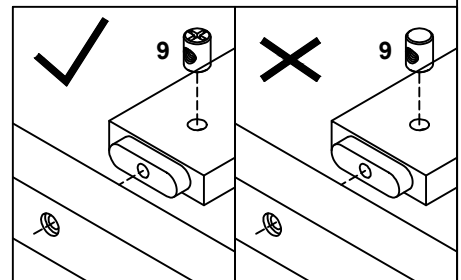


Note: Part 9 will face up with the "x" mark on it, otherwise it cannot be tightened

STEP 2:

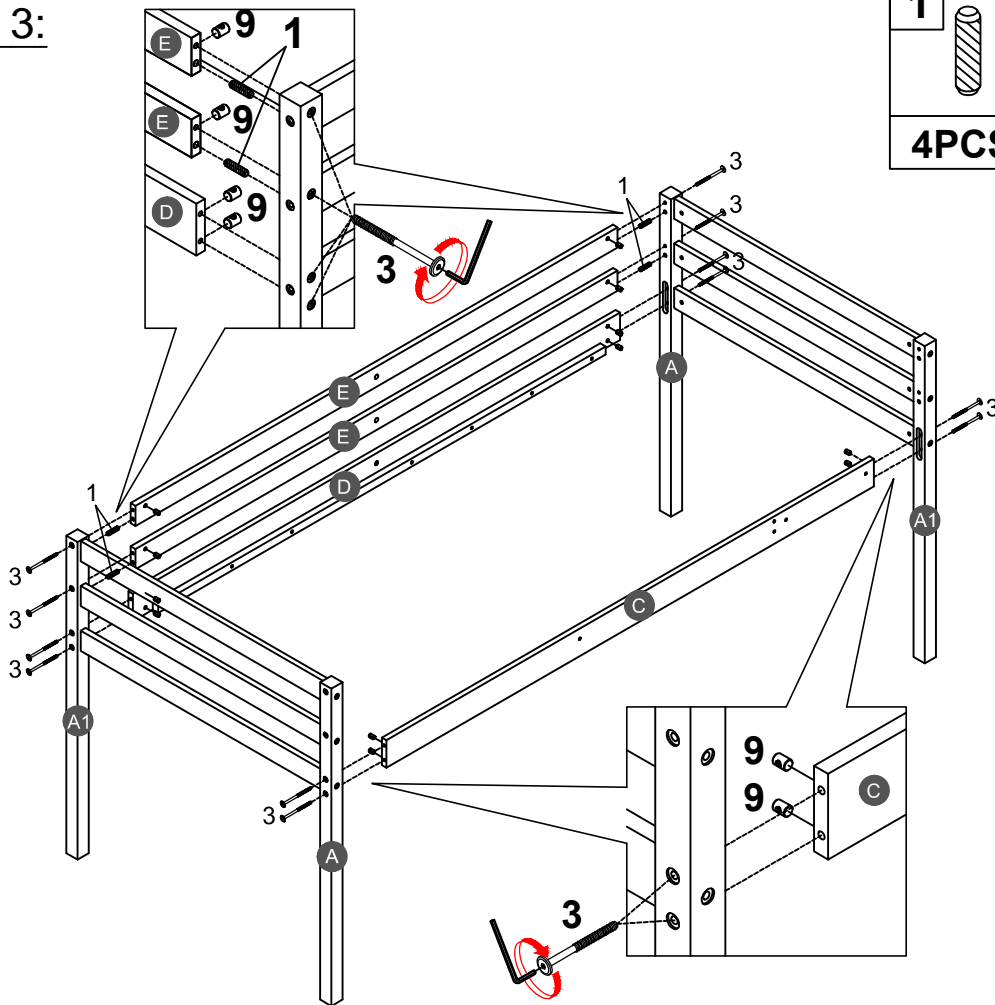





4	
6PCS	
9	
6PCS	



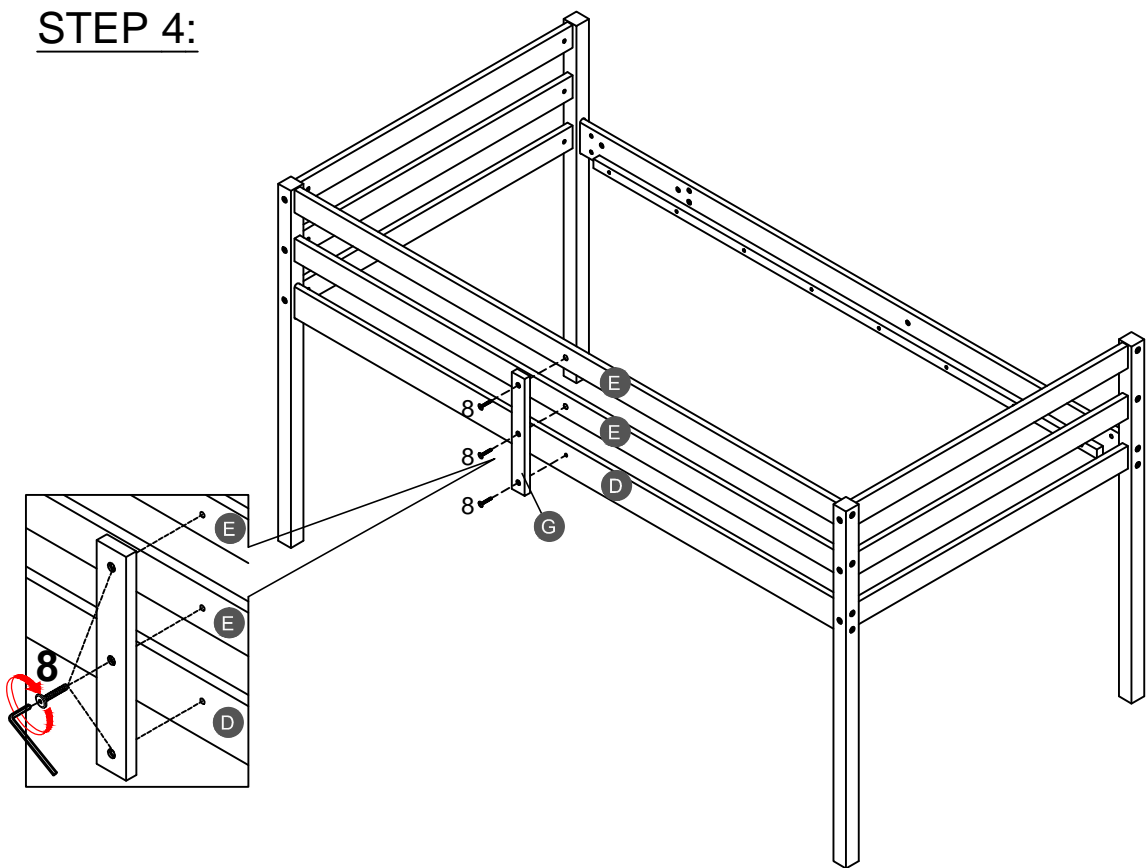
Note: Part 9 will face up with the "x" mark on it, otherwise it cannot be tightened


STEP 3:



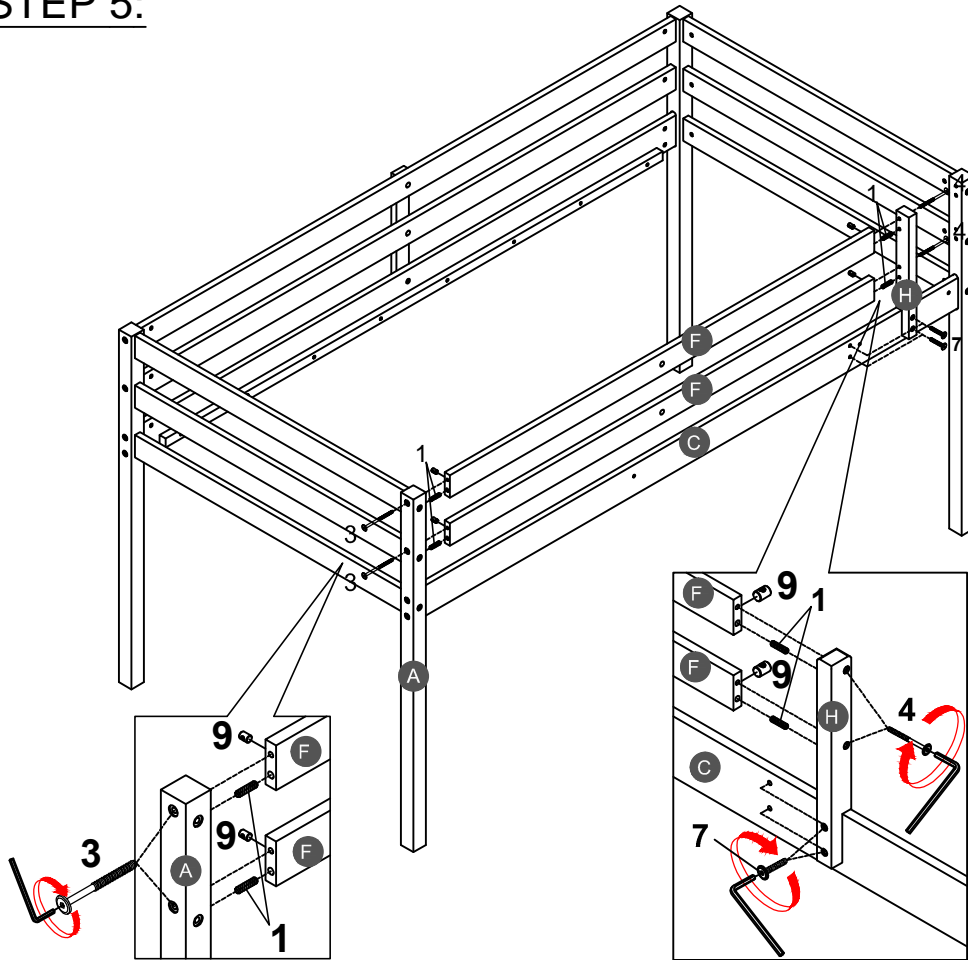
1		3	
4PCS		12PCS	
		9	
		12PCS	

STEP 4:



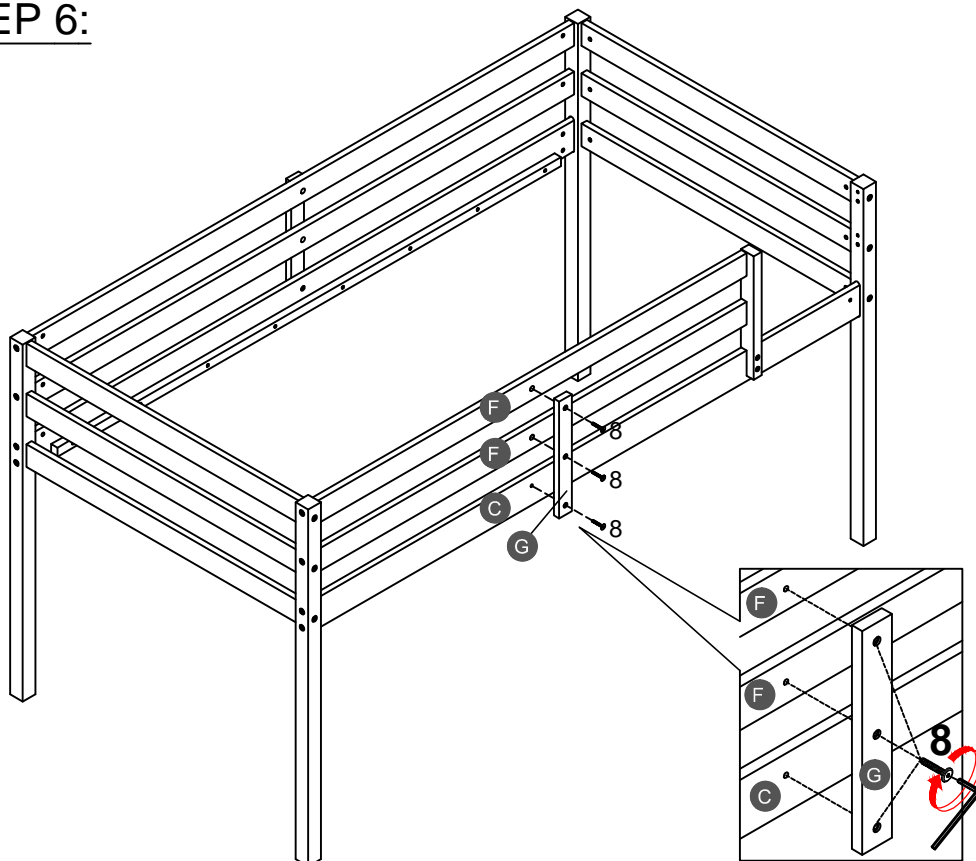
8	
3PCS	

STEP 5:





1		3	
4PCS		2PCS	
4		2PCS	
7		2PCS	
9		4PCS	

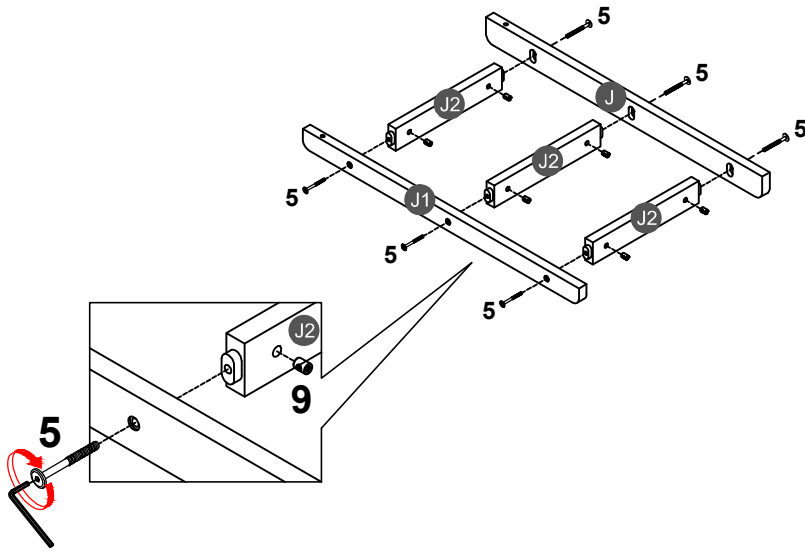
STEP 6:



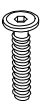
8	
3PCS	

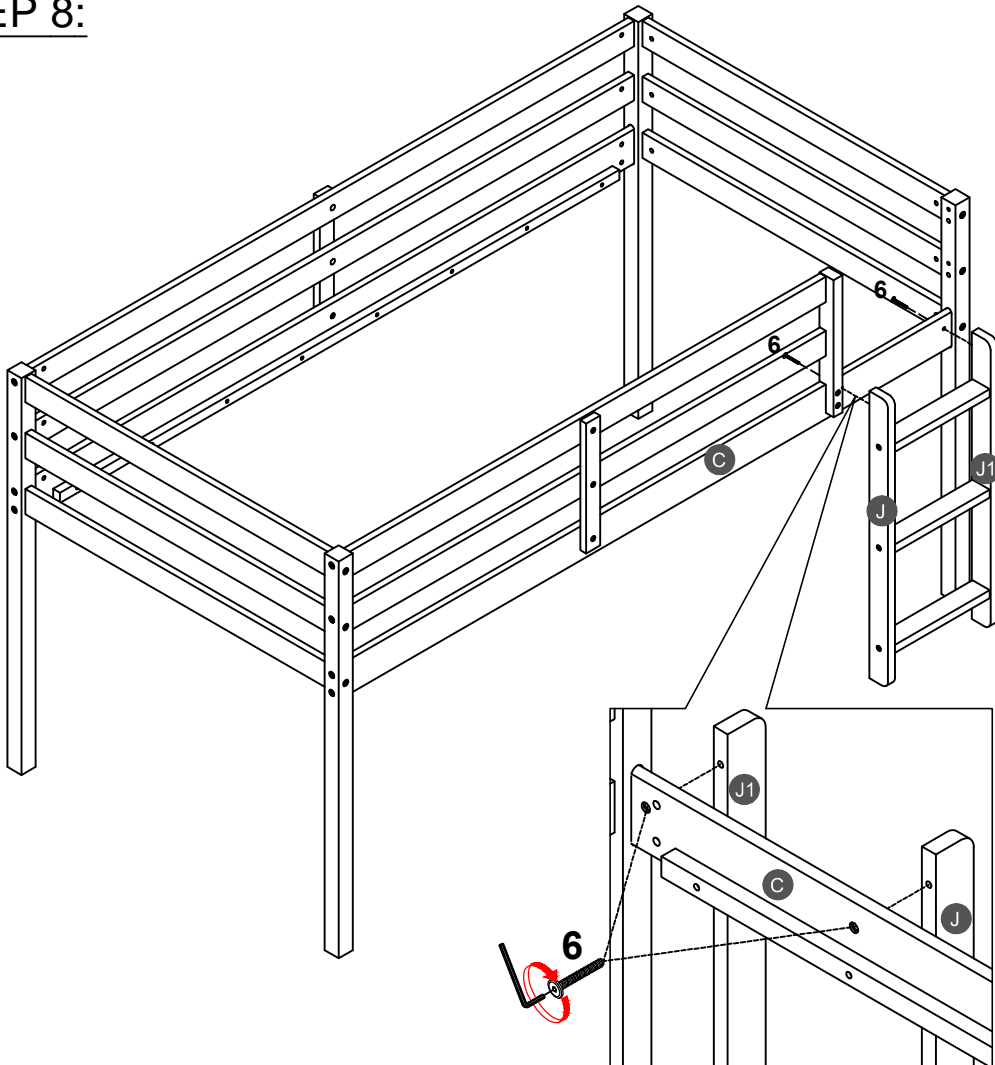
STEP 7:

5		9	
6PCS		6PCS	




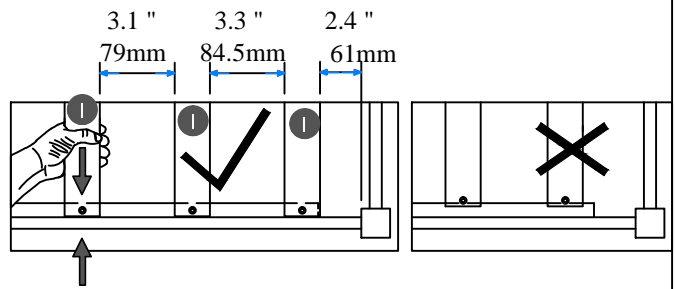
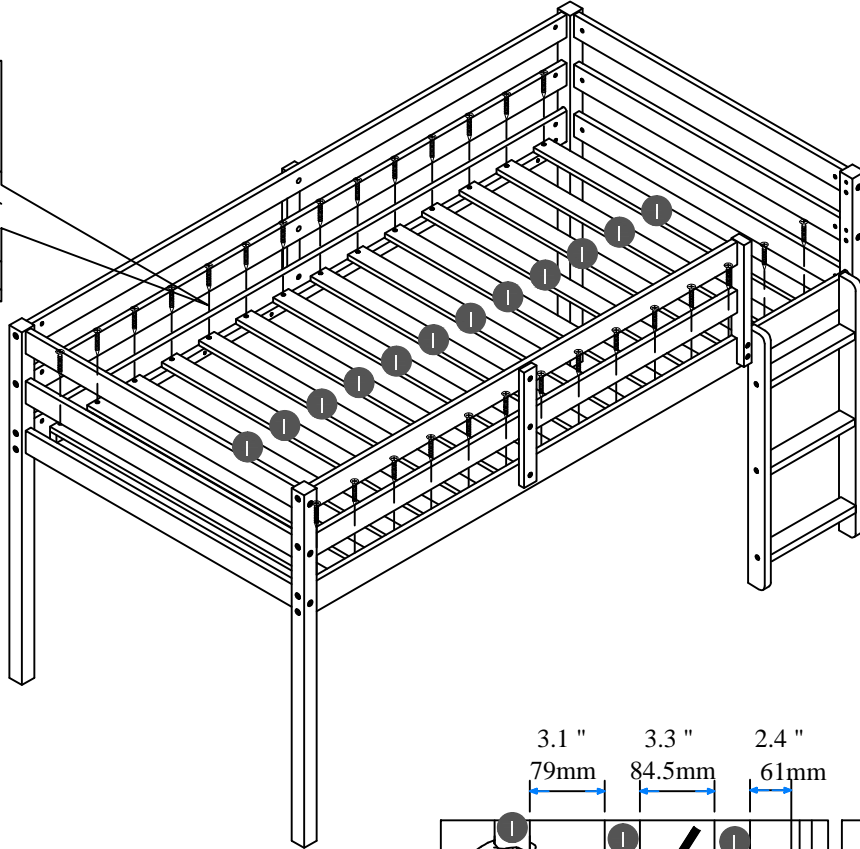
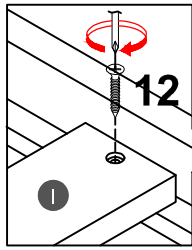
STEP 8:

6	
2PCS	




STEP 9:

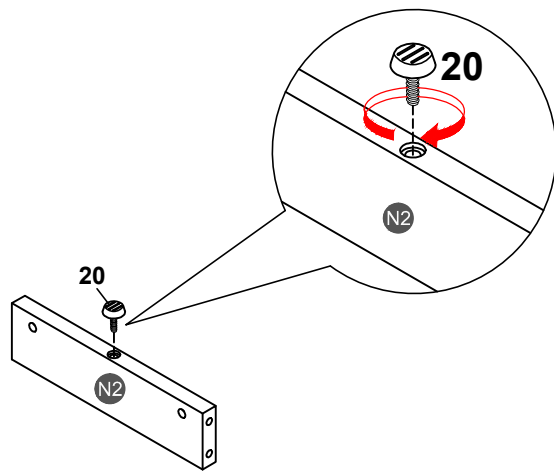
12

28PCS



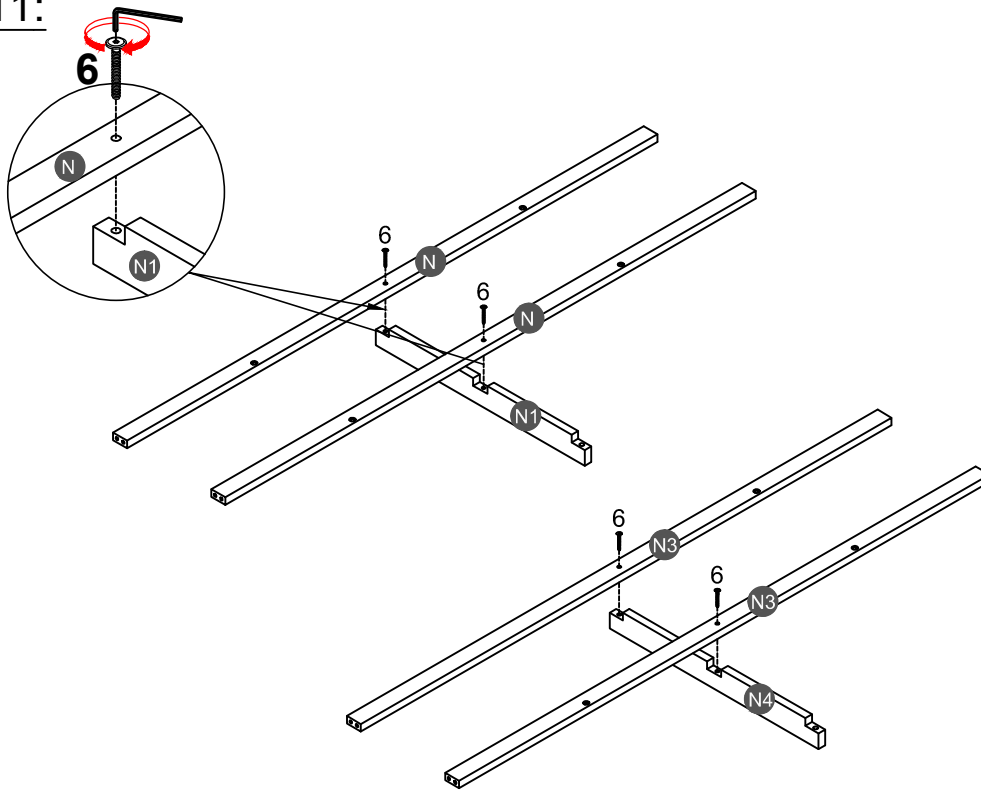
NOTE: Please make sure the bed slats close to the side rail before locking the screws to avoid breakage. This step is required for both the left and right sides. Moreover, please do not lock the screws of the bed slats at the outermost edge to avoid damaging.

STEP 10:

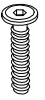
20

1PC



STEP 11:

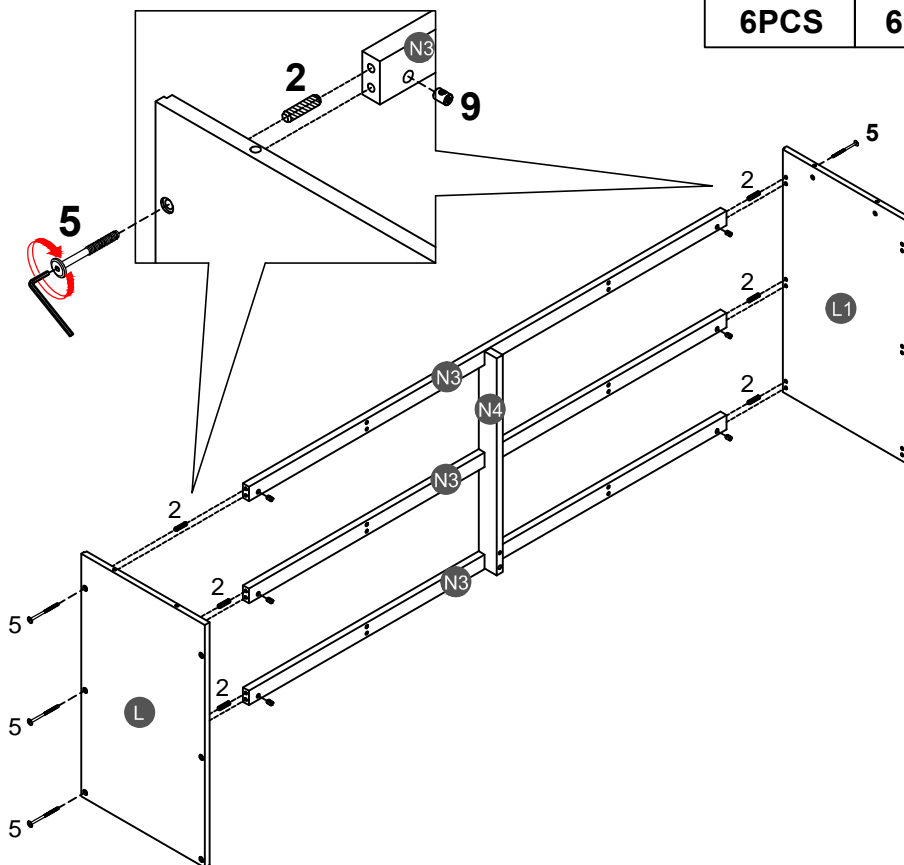


6



4PCS

STEP 12:



2



6PCS

5








6PCS

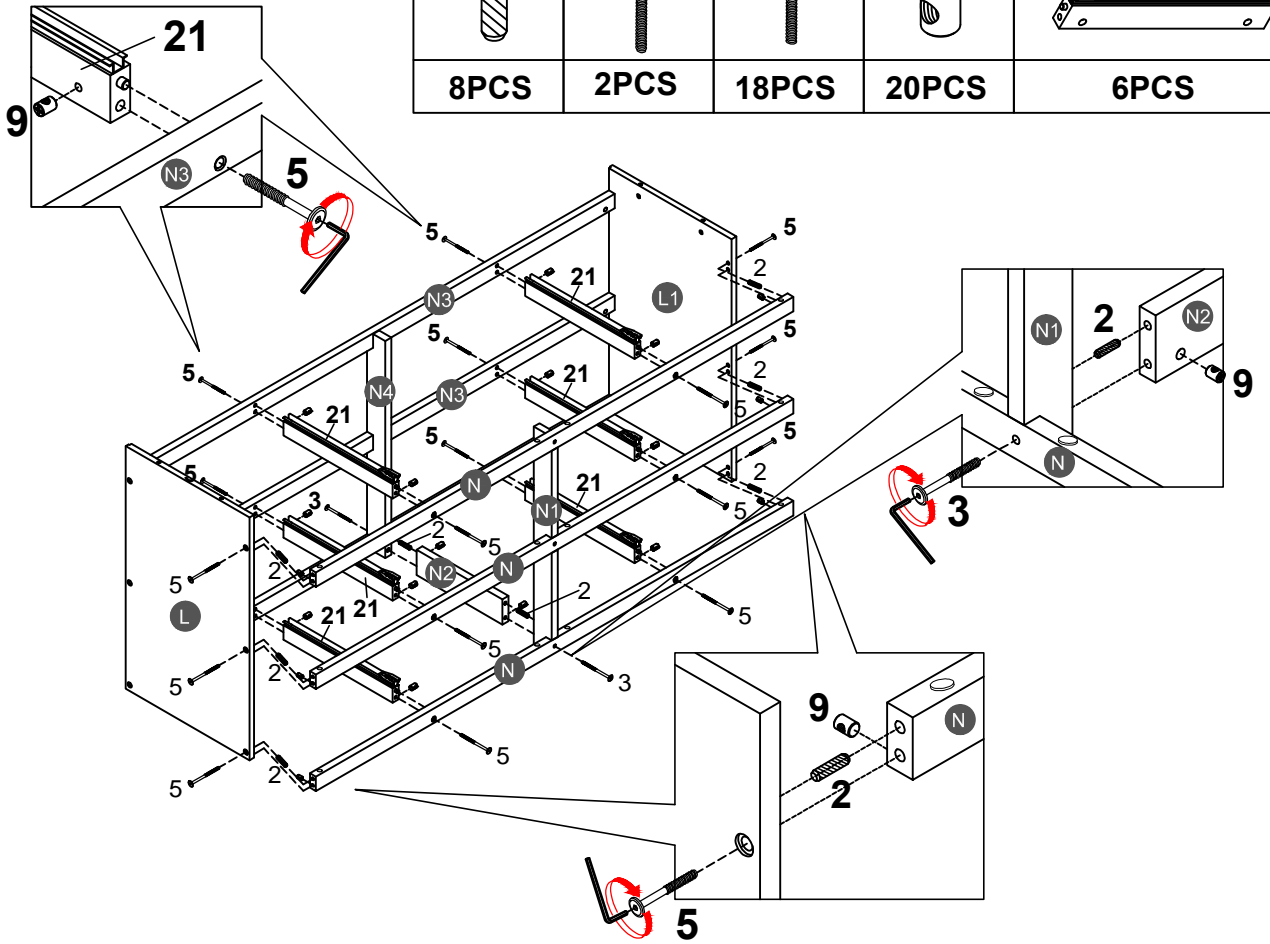
9





6PCS

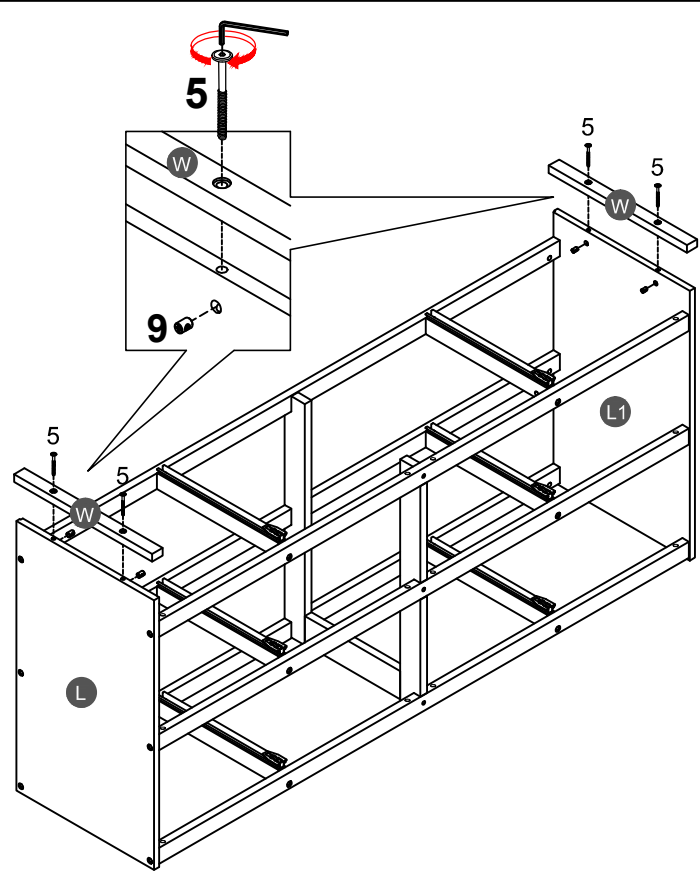
STEP 13:

2 	3 	5 	9 	21 
8PCS	2PCS	18PCS	20PCS	6PCS





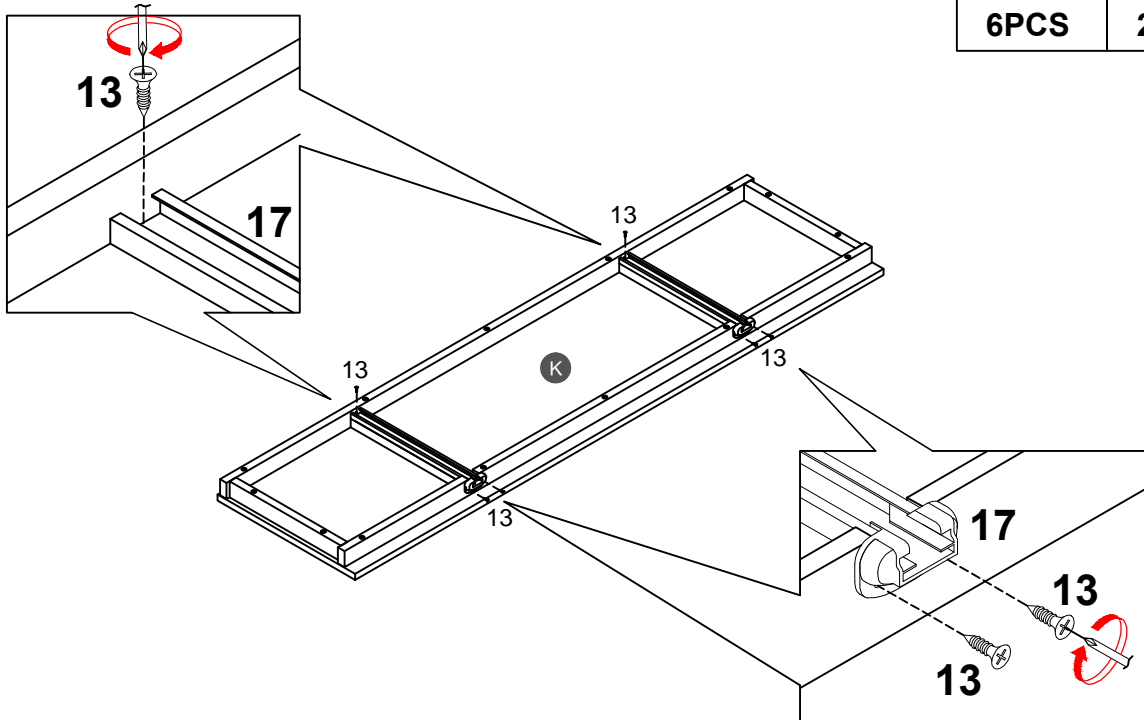
STEP 14:

5 
4PCS
9 
4PCS





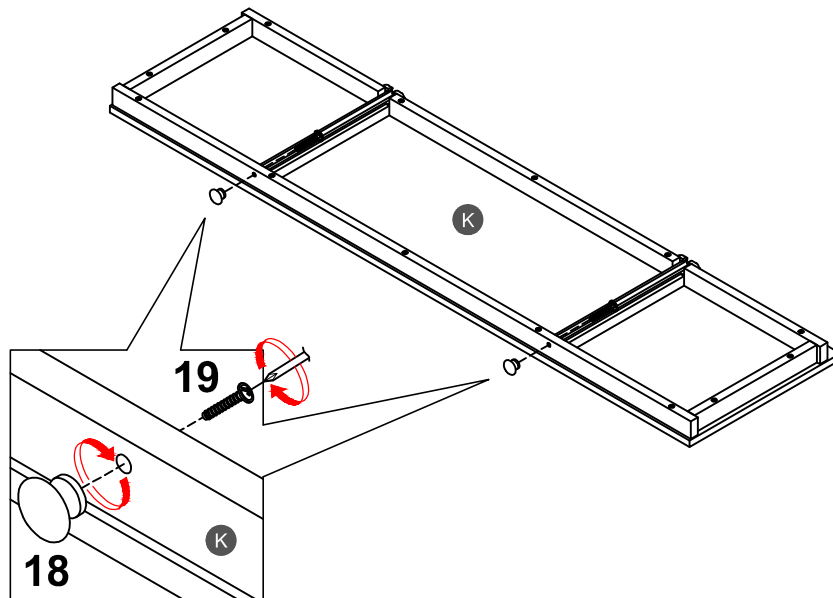
STEP 15:

13		17	
6PCS		2PCS	

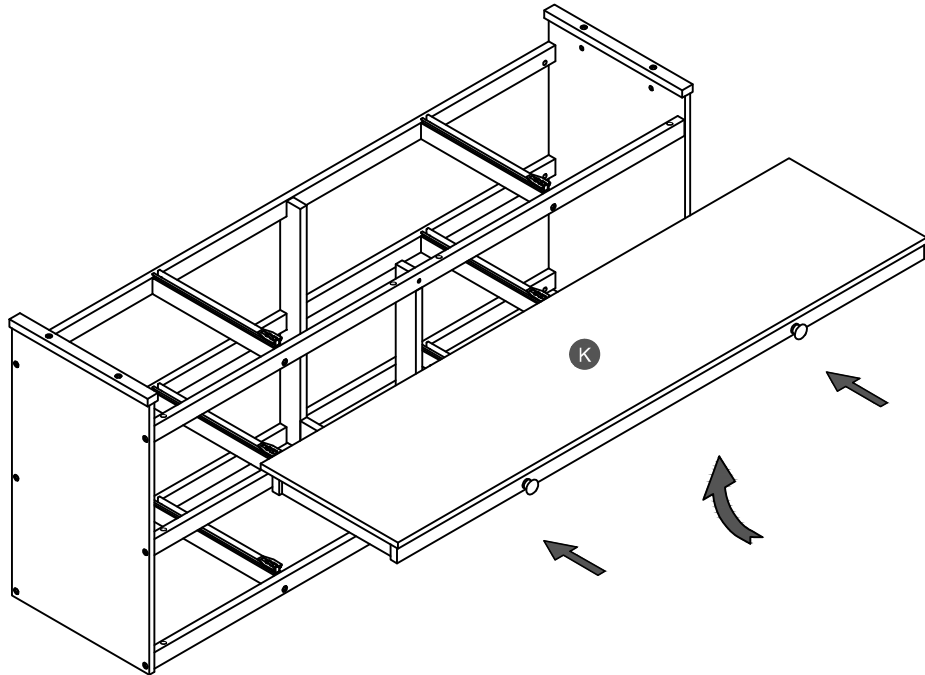


STEP 16:

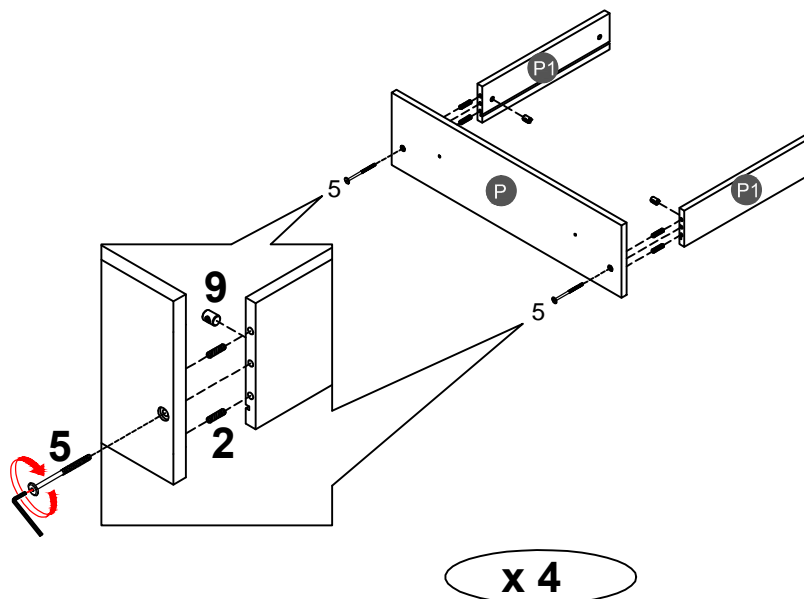
18		19	
2PCS		2PCS	






STEP 17:






STEP 18:

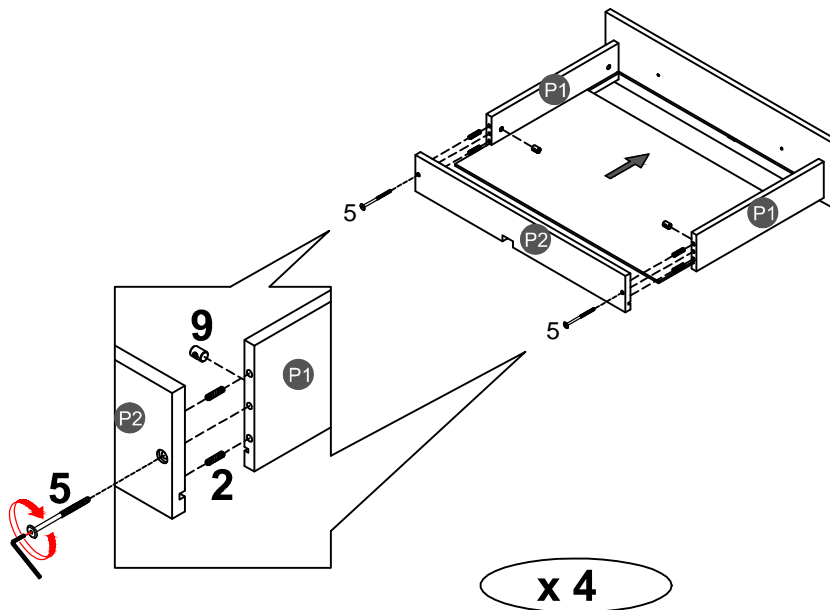


2		5	
16PCS		8PCS	
		9	
		8PCS	



x 4

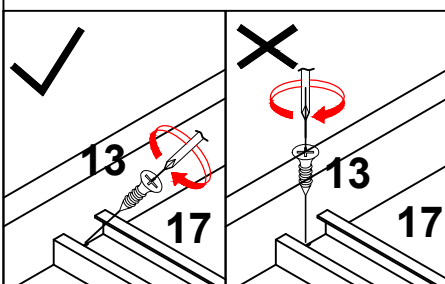
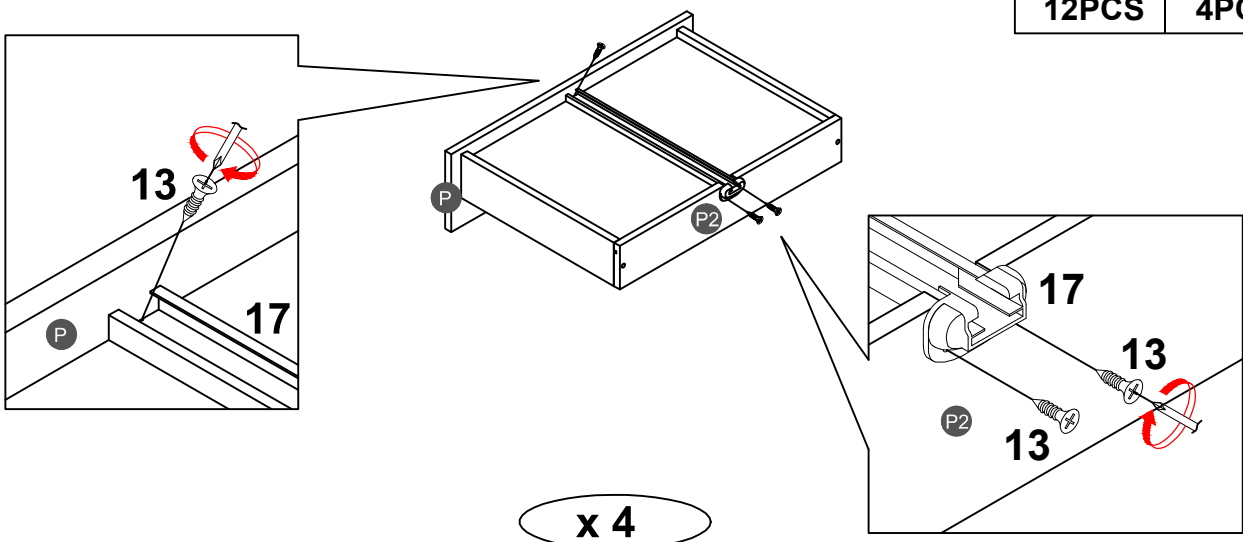
STEP 19:

2		5	
16PCS		8PCS	
		9	
		8PCS	

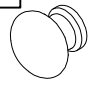



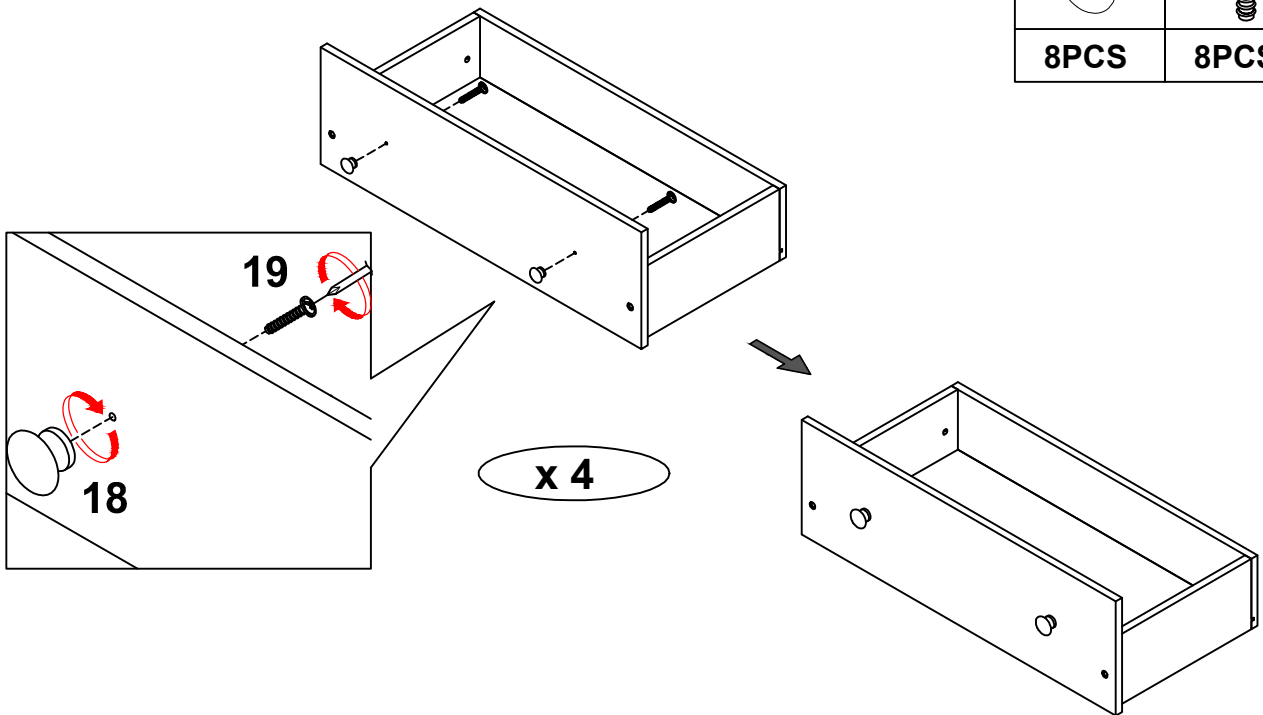
STEP 20:

13		17	
12PCS		4PCS	

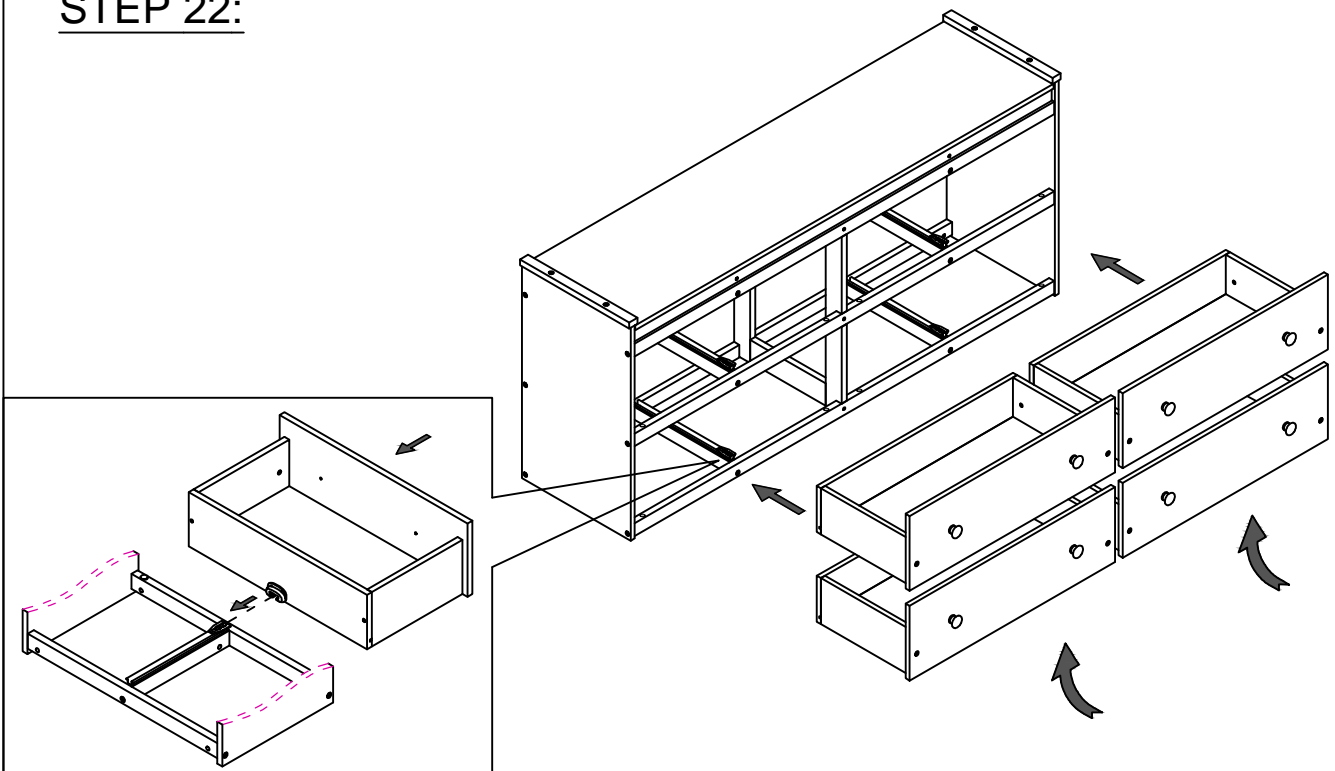


STEP 21:

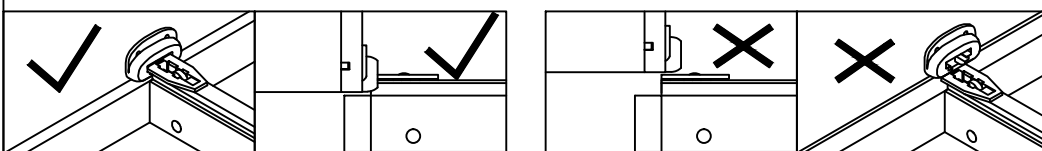
18		19	
8PCS		8PCS	



STEP 22:



Align the slide rail at the bottom of the drawer and ensure it is secure, then push the drawer in firmly to make the slide rails smoothly on the track.

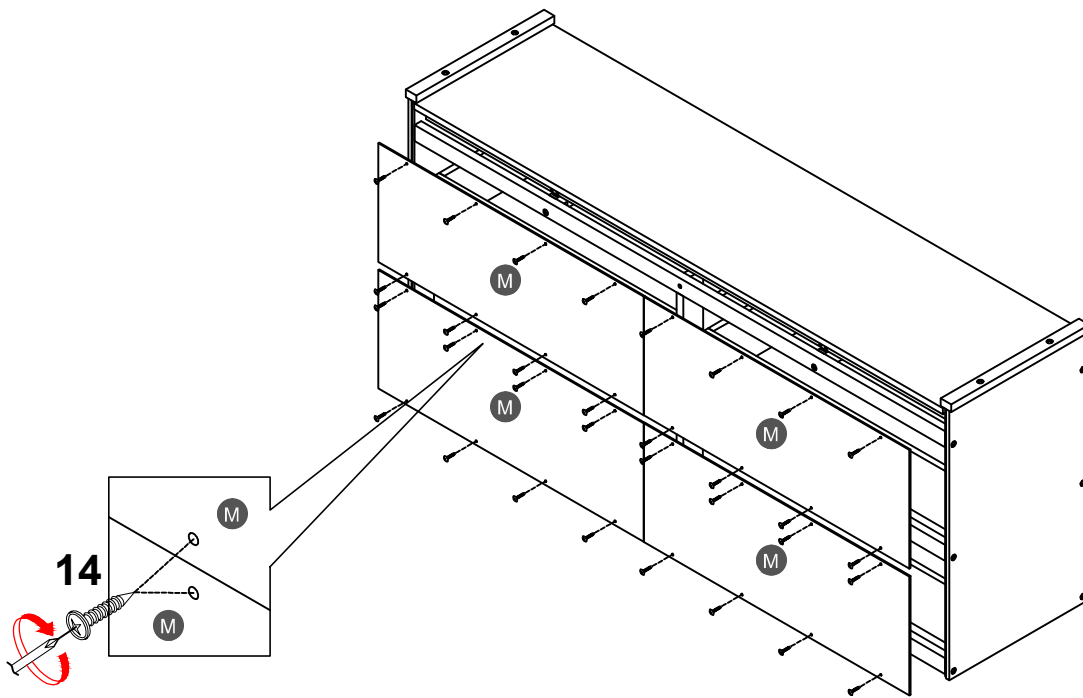


STEP 23:

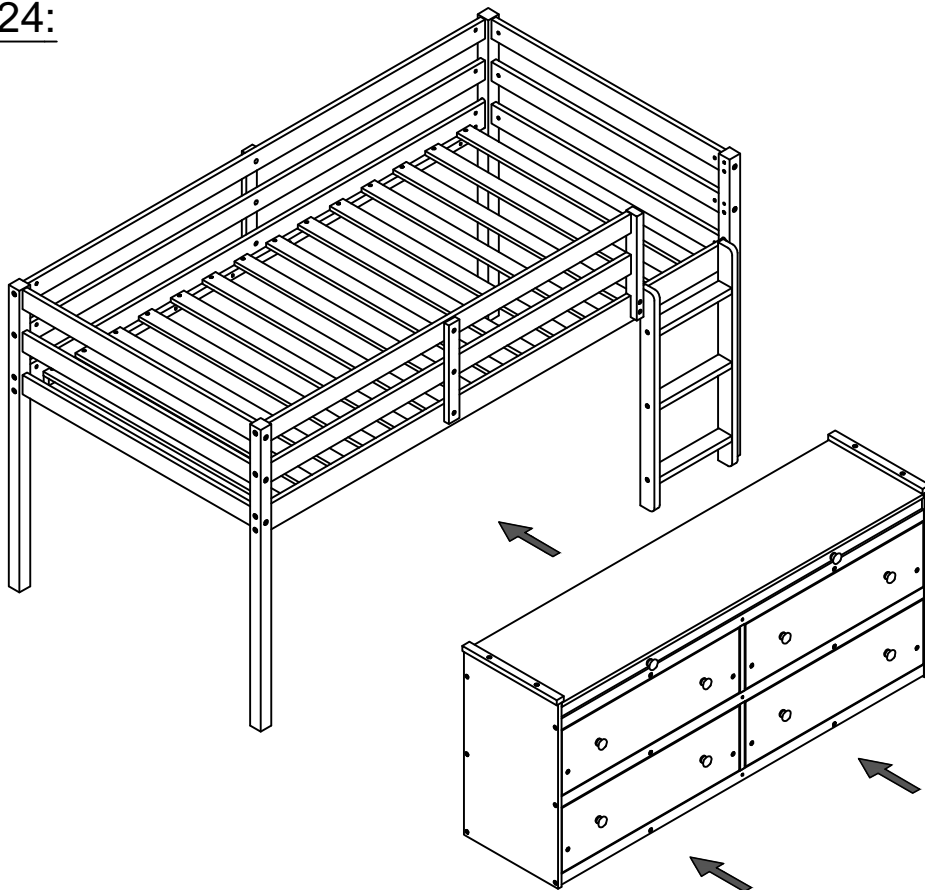
14



32PCS



STEP 24:

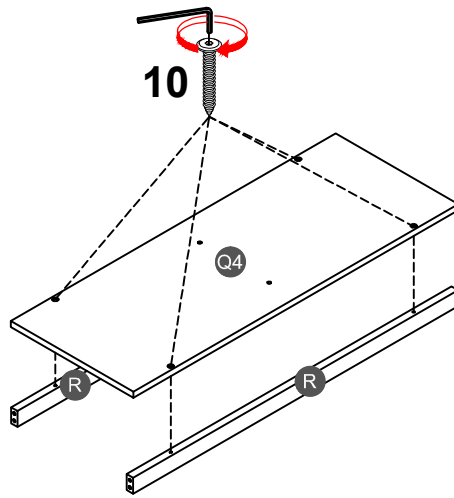


STEP 25:

10



4PCS

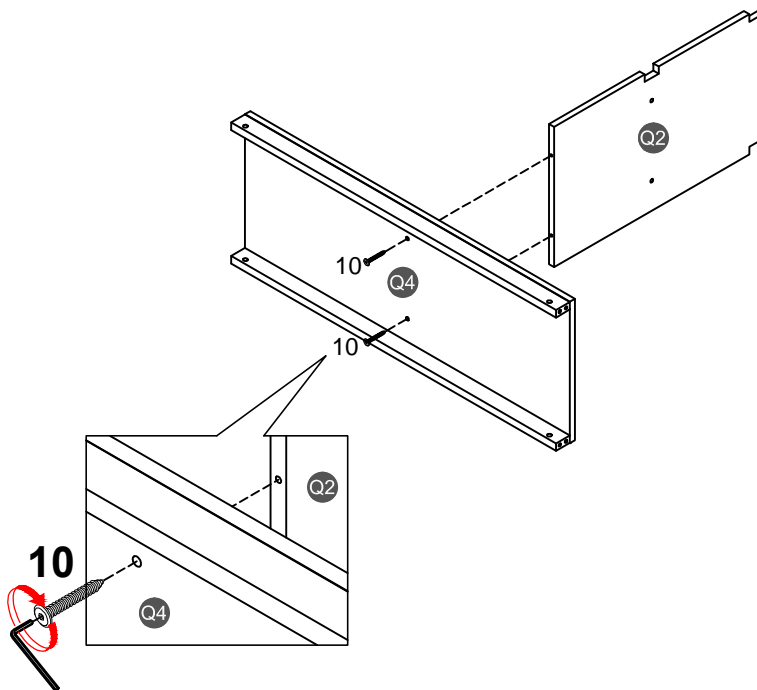


STEP 26:




10

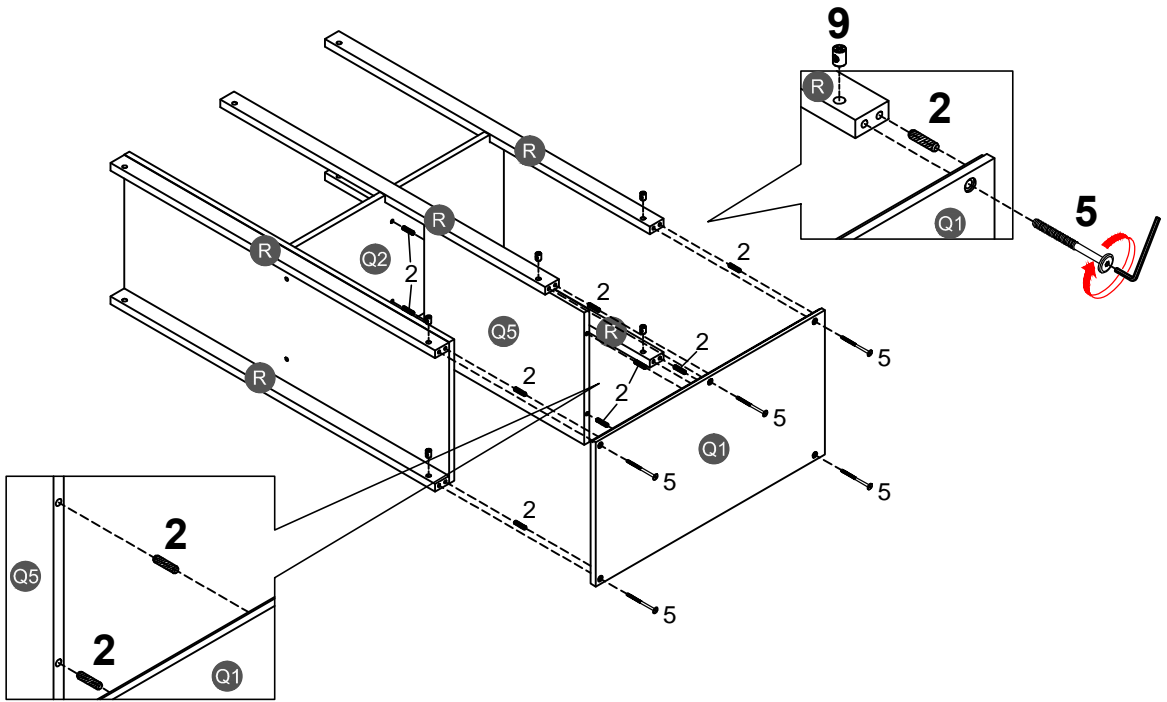


2PCS






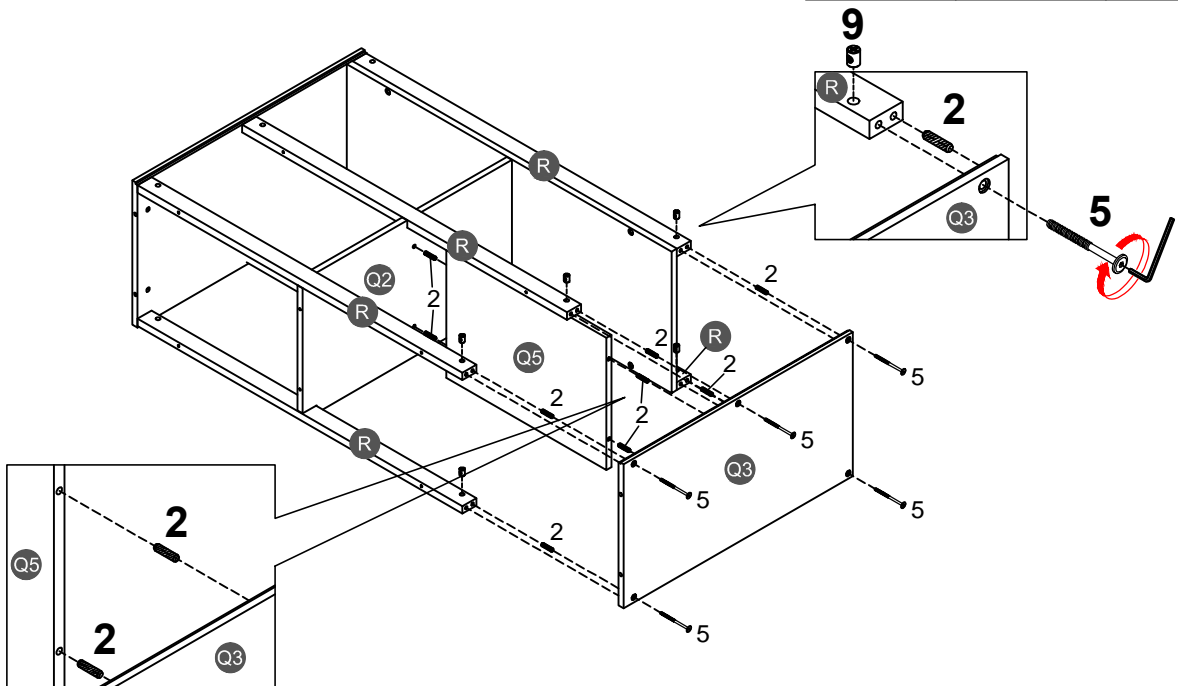
STEP 27:

2		5		9	
9PCS		5PCS		5PCS	

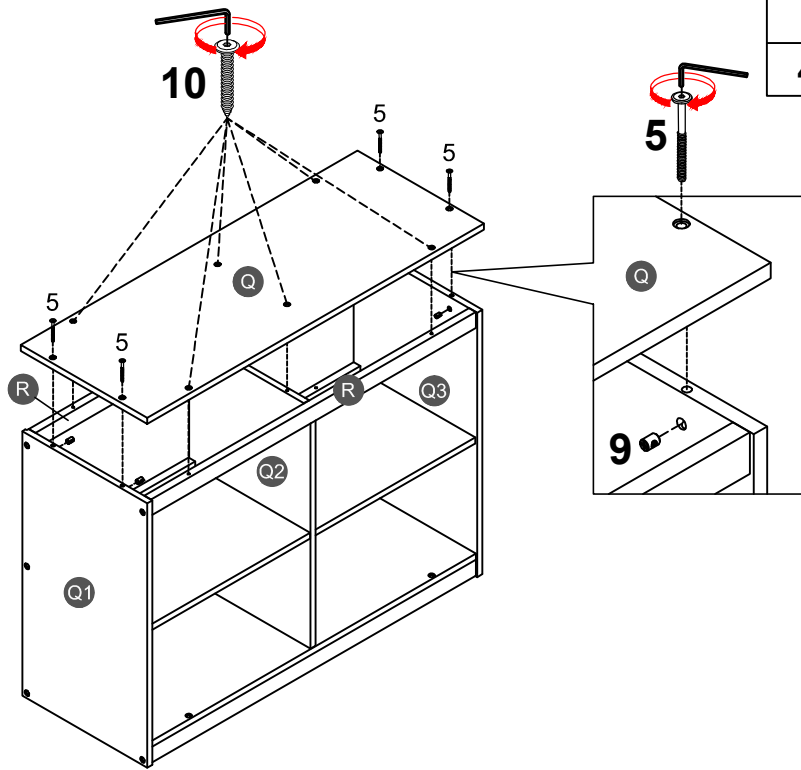





STEP 28:

2		5		9	
9PCS		5PCS		5PCS	

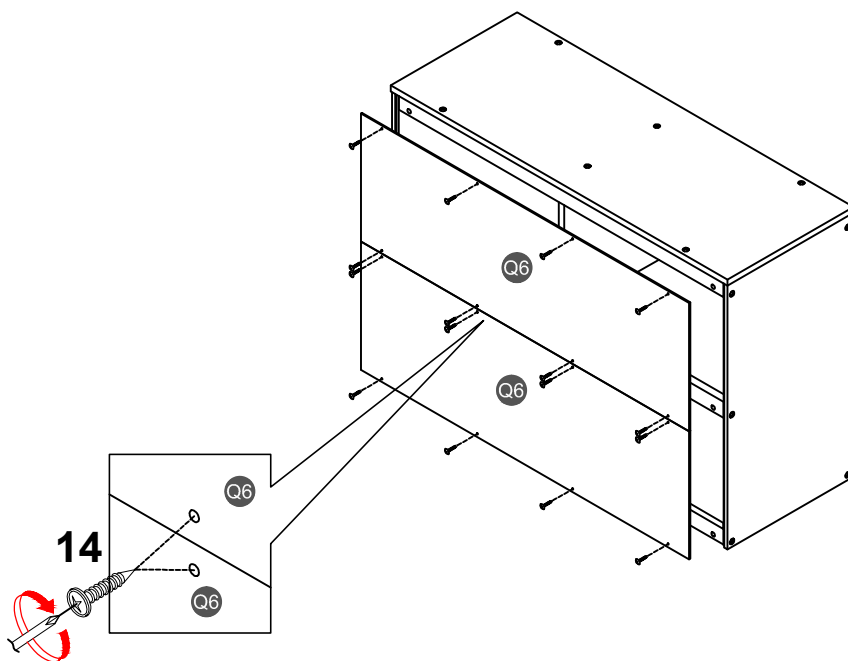



STEP 29:



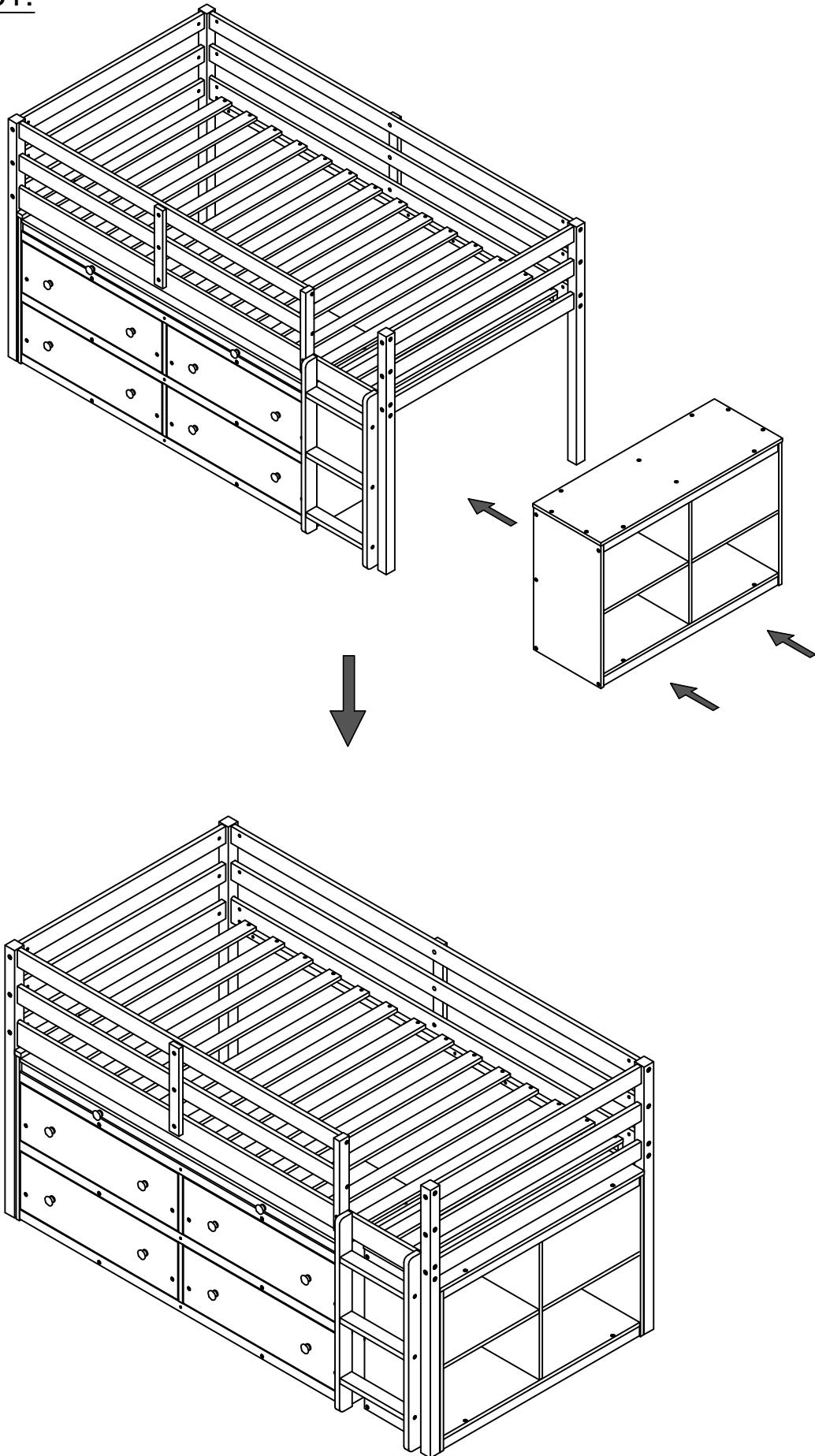
5		9	
4PCS		4PCS	
		10	
		6PCS	

STEP 30:

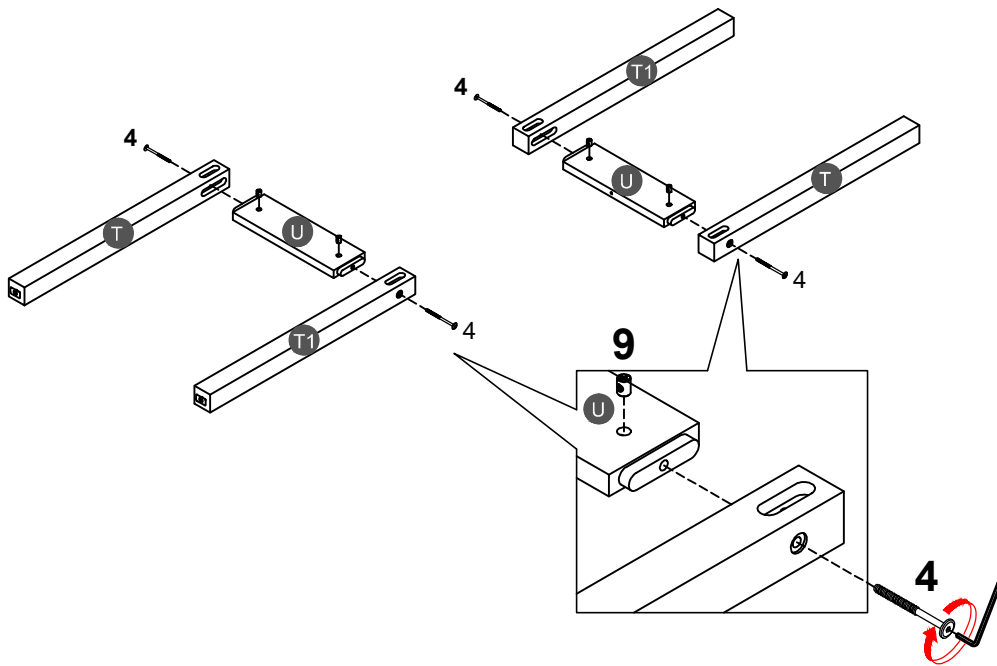


14	
16PCS	

STEP 31:



STEP 32:



4



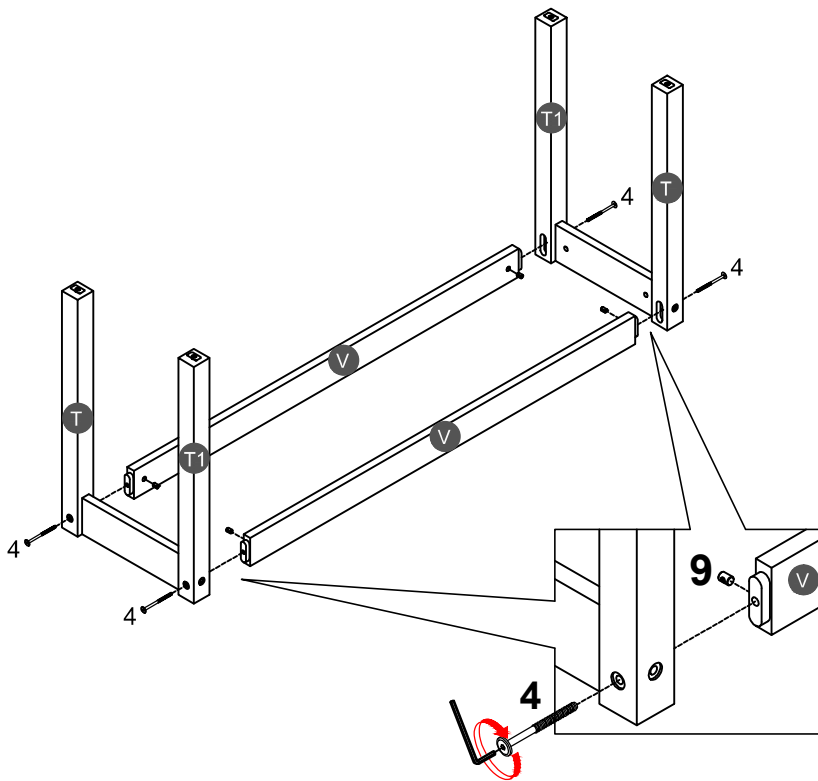
4PCS

9



4PCS

STEP 33:



4



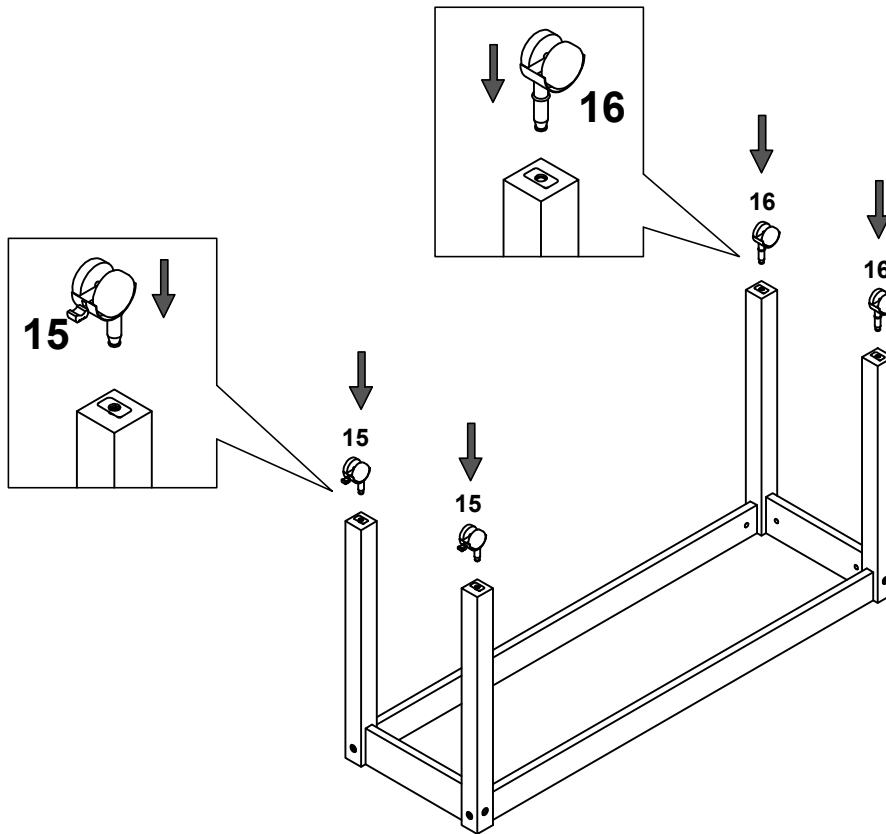
4PCS

9

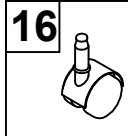


4PCS

STEP 34:

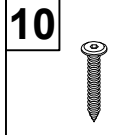
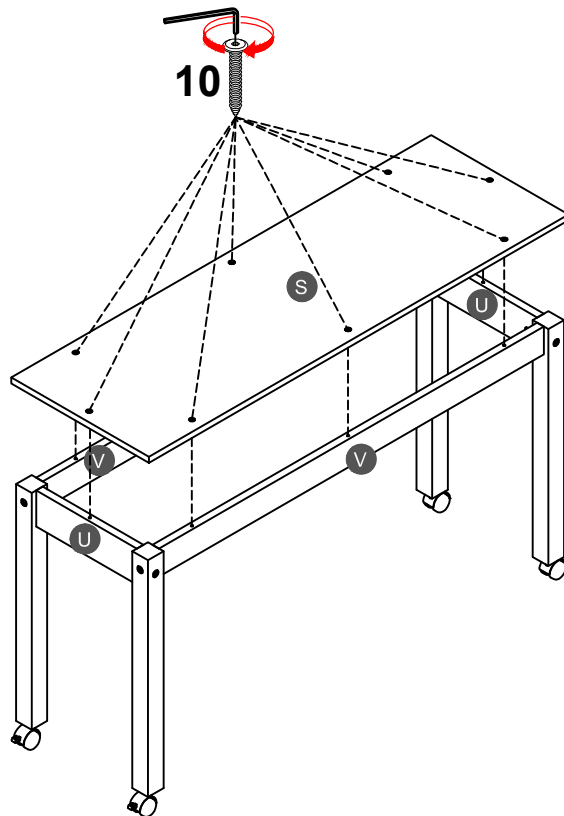


2PCS



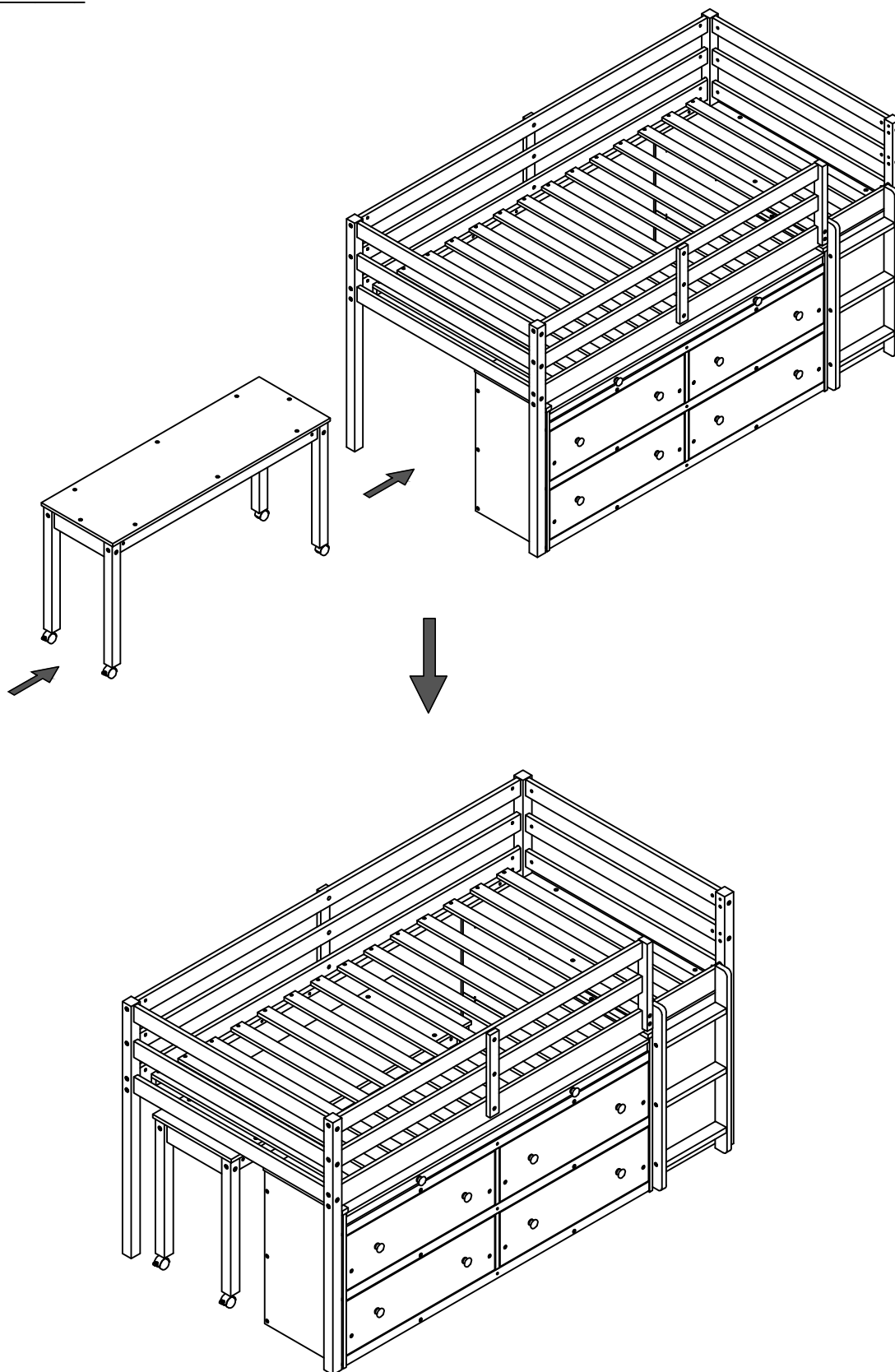
2PCS

STEP 35:



8PCS

STEP 36:



Make sure to tighten all the screws of the bed.