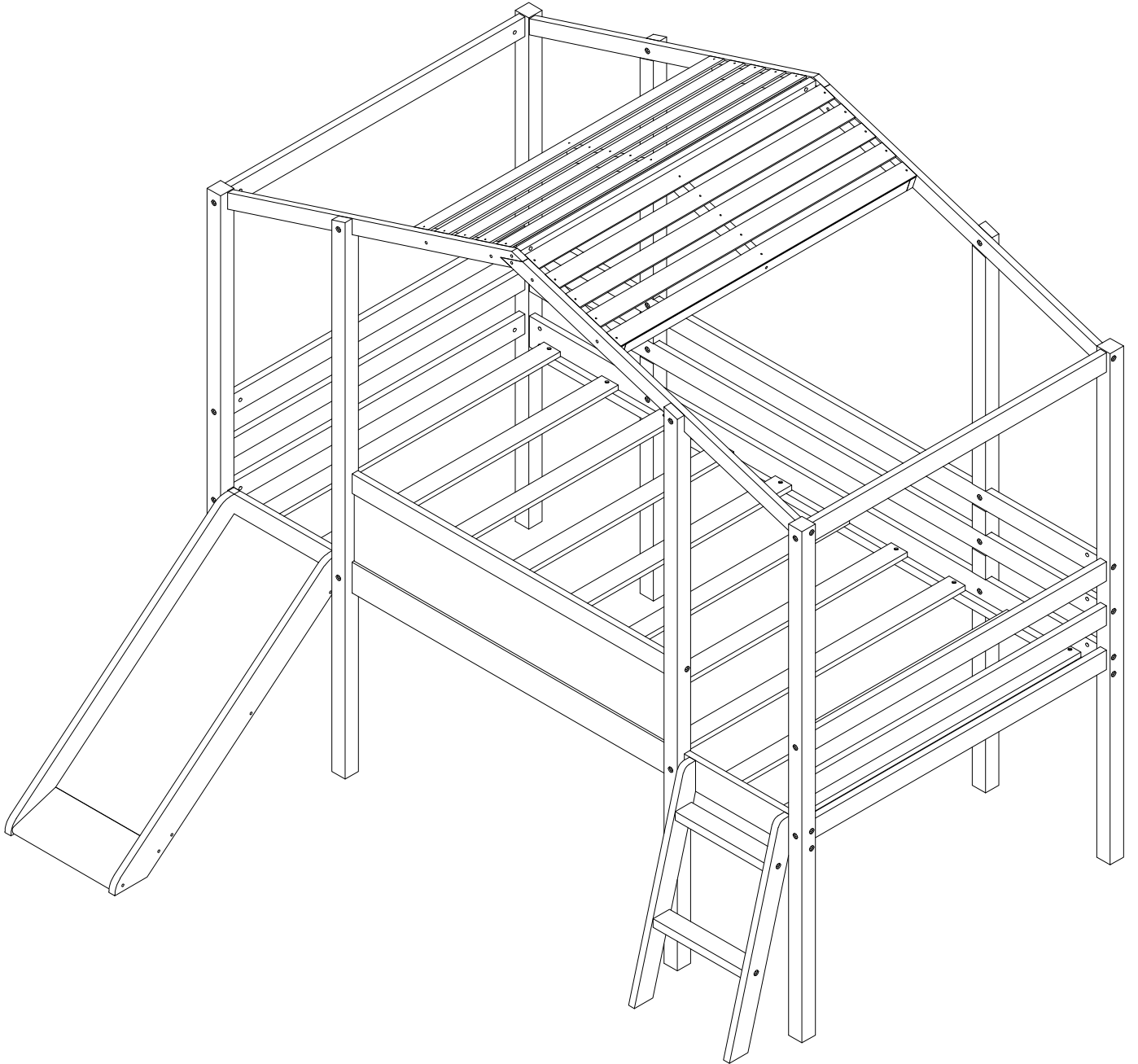


ASSEMBLY INSTRUCTION

SKU CODE: (WF324323)



SAFETY WARNINGS AND GENERAL NOTES:

1. Do not use substitute parts. Contact the manufacturer or dealer for replacement parts.
2. Keep these instructions for future reference.
3. We recommend assembling your bed on the shipping carton to protect your floor or carpet.
4. Be certain all staples are out of the box before beginning assembly on the shipping carton.

5.Replacement Parts:

Replacement Parts, including additional guardrails, may be obtained from any of our (GIGACLOUD TECHNOLOGY (USA) INC.) dealers

! SAFETY WARNINGS !

1. At the beginning :

Tighten all hardware.

Check metal parts for rust. If found, sand and repaint using a non-lead-based paint meeting the requirements of 16 CFR 1303.

Check all wood members for deterioration and splinters. Sand down splinters and replace deteriorating wood members.

Rake and check depth of loose fill protective surfacing materials to prevent compaction and to maintain appropriate depth. Replace as necessary.

2. Twice a month

Tighten all hardware.

Rake and check depth of loose fill protective surfacing materials to prevent compaction and to maintain appropriate depth. Replace as necessary.

3. Owners shall be responsible for maintaining the legibility of the warning labels.

4. Disposal Instructions-There shall be instructions advising the owner to disassemble and dispose of the playground equipment in such a way that no unreasonable hazards will exist at the time the playground equipment is discarded.

5. The instructions shall also include the information found in Section 4 of the United States Consumer Product Safety Commission's (USCPSC) Outdoor Home Playground Safety Handbook or specific surfacing guidelines for the product consistent with the USCPSC Handbook. A copy of this section may be found in Appendix X2.

6. Observing the following statements and warnings reduces the likelihood of serious or fatal injury.

7. Specifying the number and weight of occupants that may safely use the equipment singly or simultaneously,

8. Recommending on-site adult supervision for children of all ages,

9. Warning the owner to instruct children not to use the equipment in a manner other than intended,

10. Warning the owner to instruct children not to get off equipment while it is in motion,

11. Warning the owner not to allow children to wear inappropriate items, such as but not limited to, loose fitting clothing, hood and neck drawstrings, scarves, cord-connected items, capes and ponchos. These items can cause death by strangulation.

12. Warning the owner to instruct children not to climb when the equipment is wet.

13. Warning the owner to instruct children not to attach items to the playground equipment that are not specifically designed for use with the equipment, such as, but not limited to, jump ropes, clothesline, pet leashes, cables and chain as they may cause a strangulation hazard

14. Warning the owner to instruct children to remove their bike or other sports helmet before playing on the playground equipment.

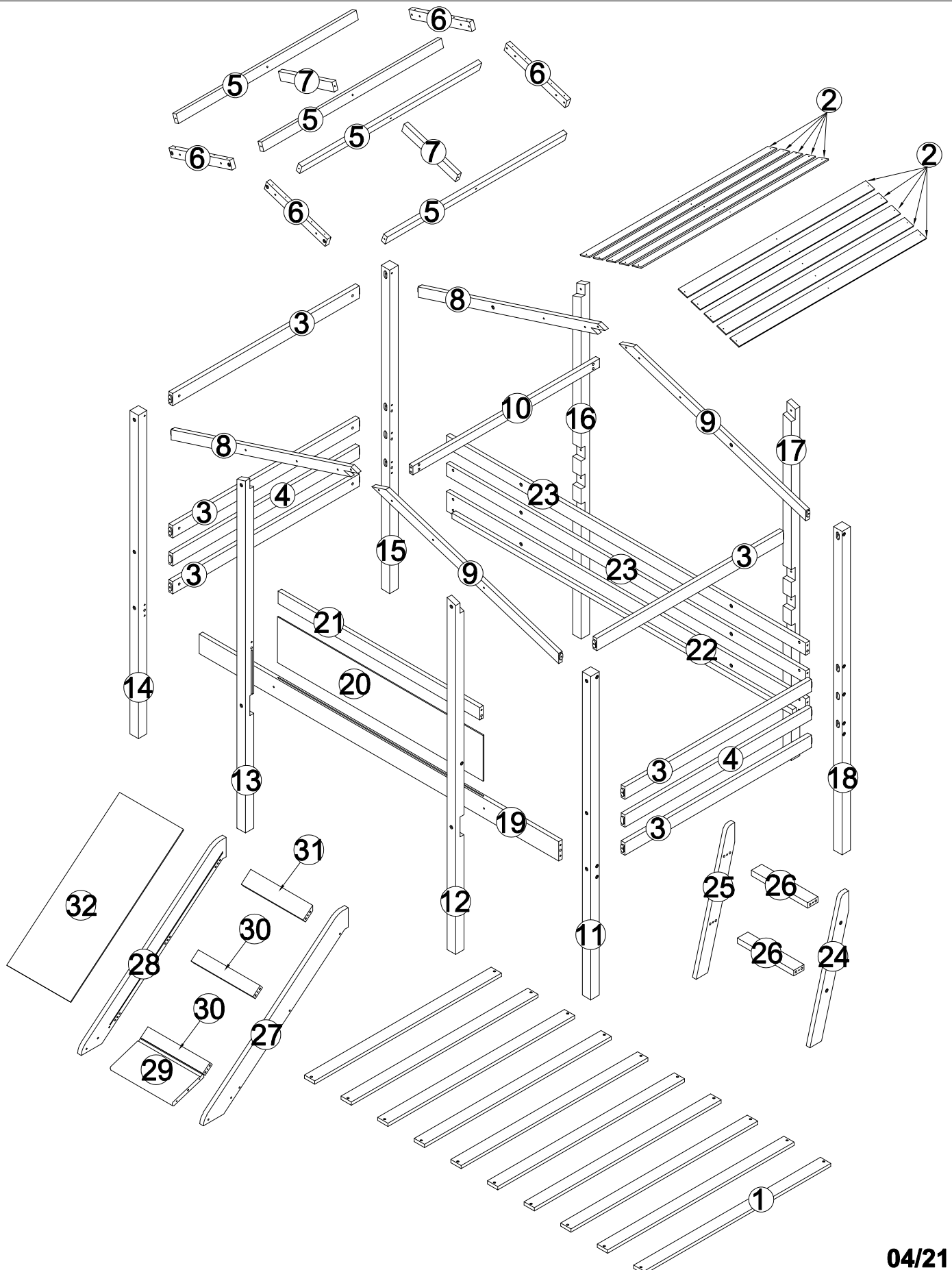
15. Warning the owner to dress children with well-fitting and full foot enclosing footwear. Examples of inappropriate footwear are clogs, flip flops, and sandals.

16. Place the equipment on level ground, not less than 6 ft (1.8 m) from any structure or obstruction such as a fence, garage, house, overhanging branches, laundry lines, or electrical wires

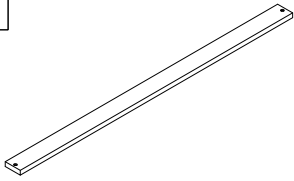
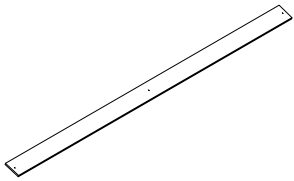
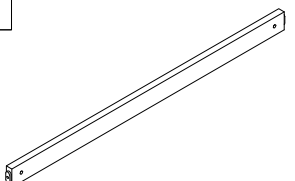
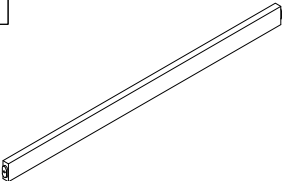
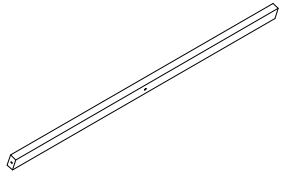
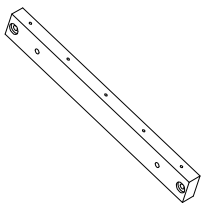
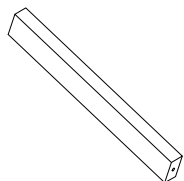
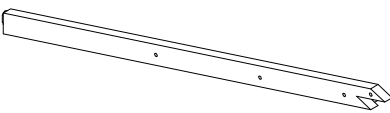
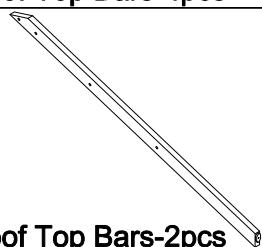
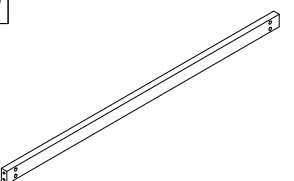








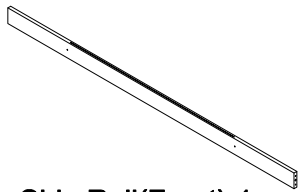
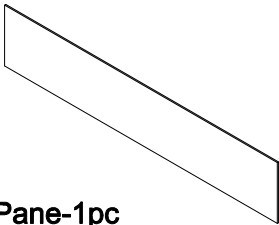
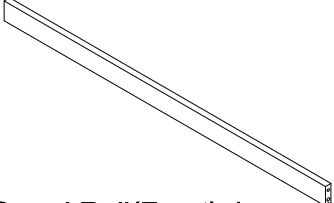
17. Do not install home playground equipment over concrete, asphalt, packed earth, grass, carpet, or any other hard surface. A fall onto a hard surface can result in serious injury or death to the equipment user

18. To prevent serious injury, cautionary statements shall be included which warn that children must not use the equipment until properly installed.

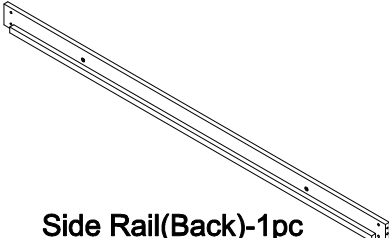
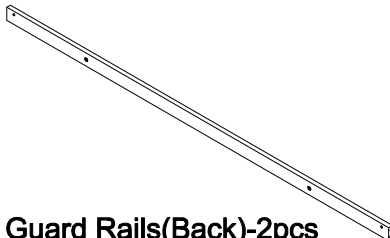


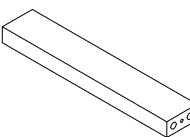
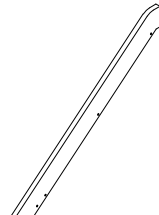
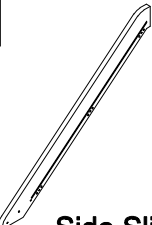
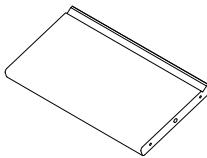
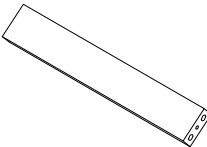
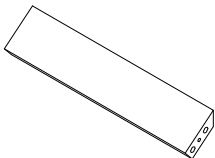
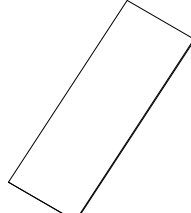
ASSEMBLY INSTRUCTION



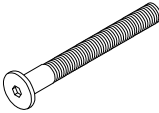

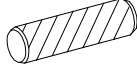
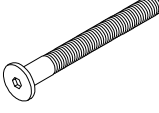
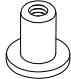

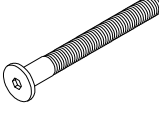

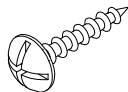
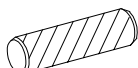
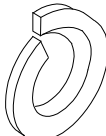
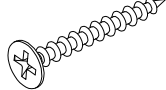
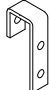
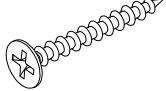

Part List & Hardware List (Box -WF324323)

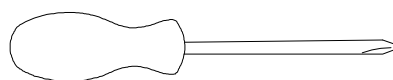
<p>1</p>  <p>Slats-10pcs</p>	<p>2</p>  <p>Roof Top Panes-10pcs</p>	<p>3</p>  <p>Wood Bars-6pcs</p>
<p>4</p>  <p>Wood Bars-2pcs</p>	<p>5</p>  <p>Roof Top Bars-4pcs</p>	<p>6</p>  <p>Roof Top Bars-4pcs</p>
<p>7</p>  <p>Roof Top Bars-2pcs</p>	<p>8</p>  <p>Roof Top Bars-2pcs</p>	<p>9</p>  <p>Roof Top Bars-2pcs</p>
<p>10</p>  <p>Roof Top Bar-1pc</p>	<p>11</p>  <p>Leg-1pc</p>	<p>12</p>  <p>Leg-1pc</p>
<p>13</p>  <p>Leg-1pc</p>	<p>14</p>  <p>Leg-1pc</p>	<p>15</p>  <p>Leg-1pc</p>
<p>16</p>  <p>Leg-1pc</p>	<p>17</p>  <p>Leg-1pc</p>	<p>18</p>  <p>Leg-1pc</p>
<p>19</p>  <p>Side Rail(Front)-1pc</p>	<p>20</p>  <p>Pane-1pc</p>	<p>21</p>  <p>Guard Rail(Front)-1pc</p>

Part List & Hardware List (Box -WF324323)

22  Side Rail(Back)-1pc	23  Guard Rails(Back)-2pcs	24  Side Ladder-1pc
25  Side Ladder-1pc	26  Step Ladders-2pcs	27  Side Slide-1pc
28  Side Slide-1pc	29  Wood Bar-1pc	30  Wood Bars-2pcs
31  Wood Bar-1pc	32  Pane-1pc	

Hardware List (Box -WF324323)

<p>A</p>  <p>Ø1/4" x 90 mm Hex-Head bolts 26pcs</p>	<p>B</p>  <p>Ø1/4" x 13 mm Horizontal-Hole bolts 30pcs</p>	<p>C</p>  <p>Ø10 x 40 mm Wood dowel 18pcs</p>
<p>D</p>  <p>Ø1/4" x 35 mm Hex-Head bolts 20pcs</p>	<p>E</p>  <p>Ø1/4" x 15 mm Canopy head through-bolts 20pcs</p>	<p>F</p>  <p>Screws 1/4"x70 4pcs</p>
<p>G</p>  <p>Ø1/4" x 60 mm Hex-Head bolts 4pcs</p>	<p>H</p>  <p>Screws 1/4"x50 26pcs</p>	<p>K</p>  <p>M4 x 15 mm Wood Screws 30pcs</p>
<p>L</p>  <p>Ø8 x 30 mm Wood dowel 14pcs</p>	<p>M</p>  <p>Washer Ø10/Ø6x2 10pcs</p>	<p>N</p>  <p>M4 x 20 mm Wood Screws 12pcs</p>
<p>P</p>  <p>Bracket 4pcs</p>	<p>Q</p>  <p>M4 x 30 mm Wood Screws 20pcs</p>	<p>R</p>  <p>Allen Key 1pc</p>



Assembly Tools Required (Not Included)


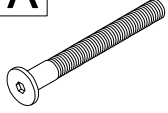
Box Of Led Light (Box -WF324323)

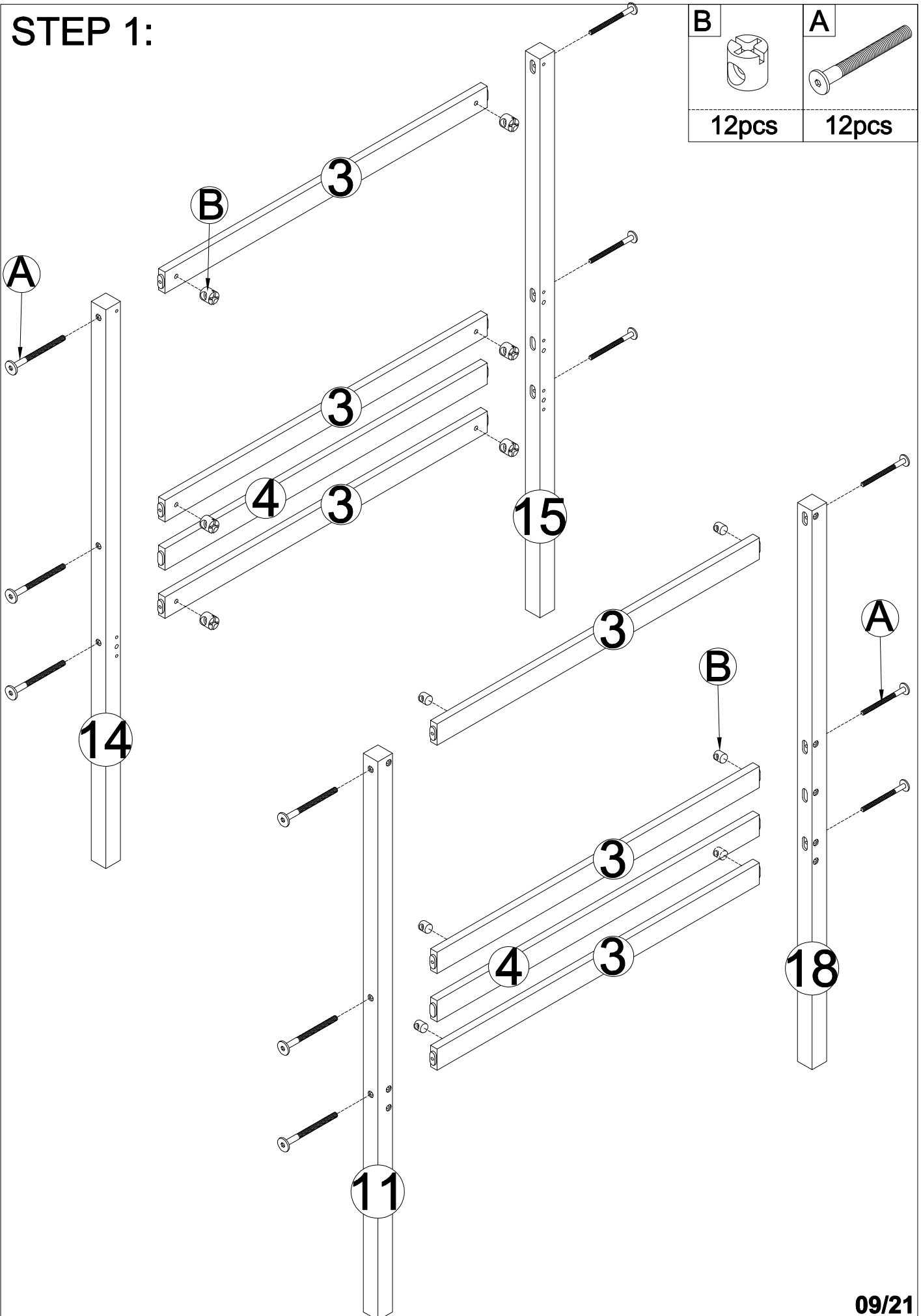
S



Led Light
1pc


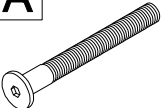

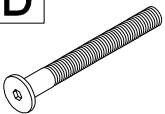

STEP 1:

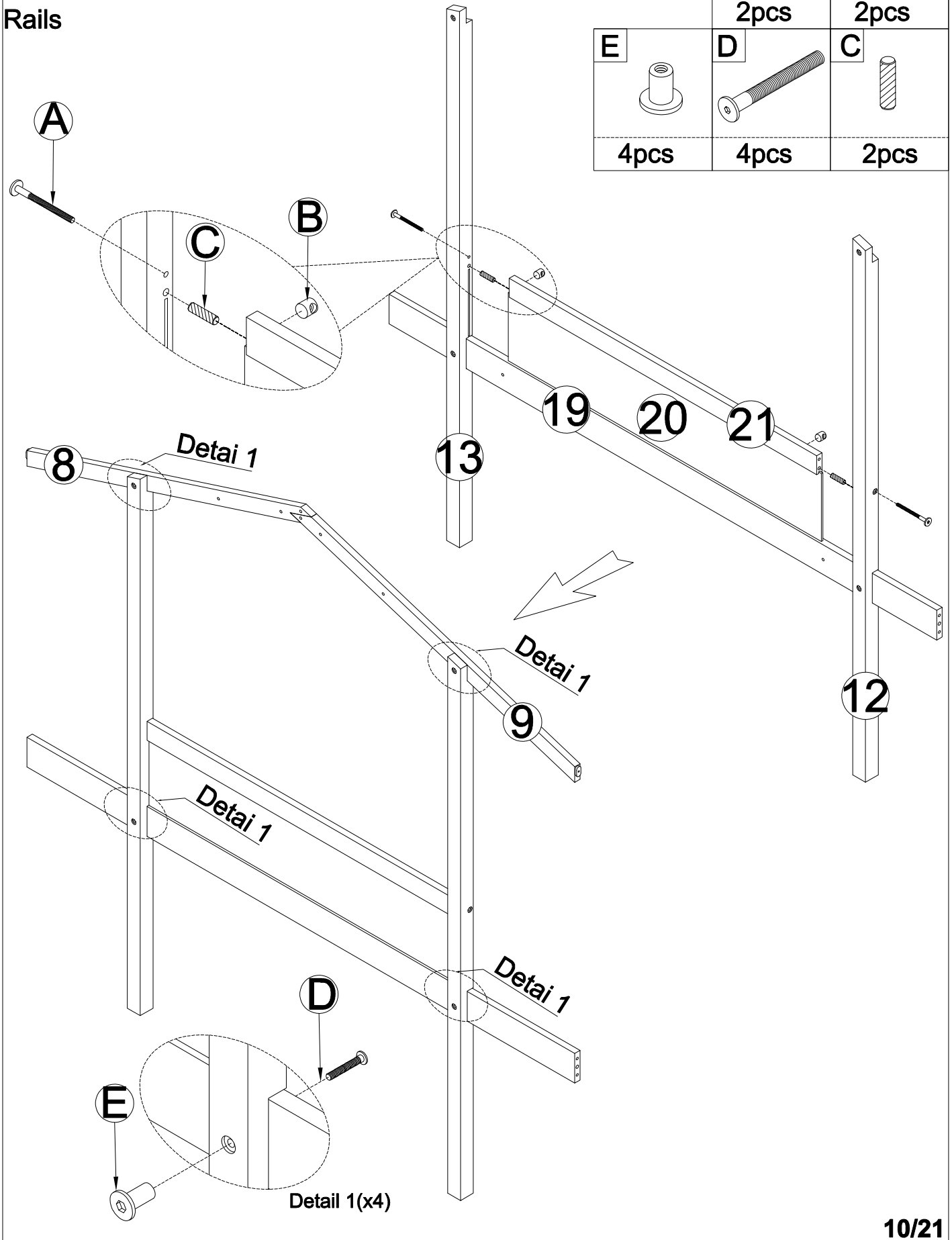
B		A	
12pcs		12pcs	



STEP 2:

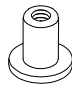
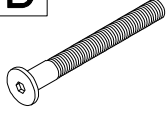
-Using HW #A,#B,#D,#E and Dowel C to connect 12,13
Legs with 19 Side Rail,20 Pane,21 Guard Rail and 8,9
Rails

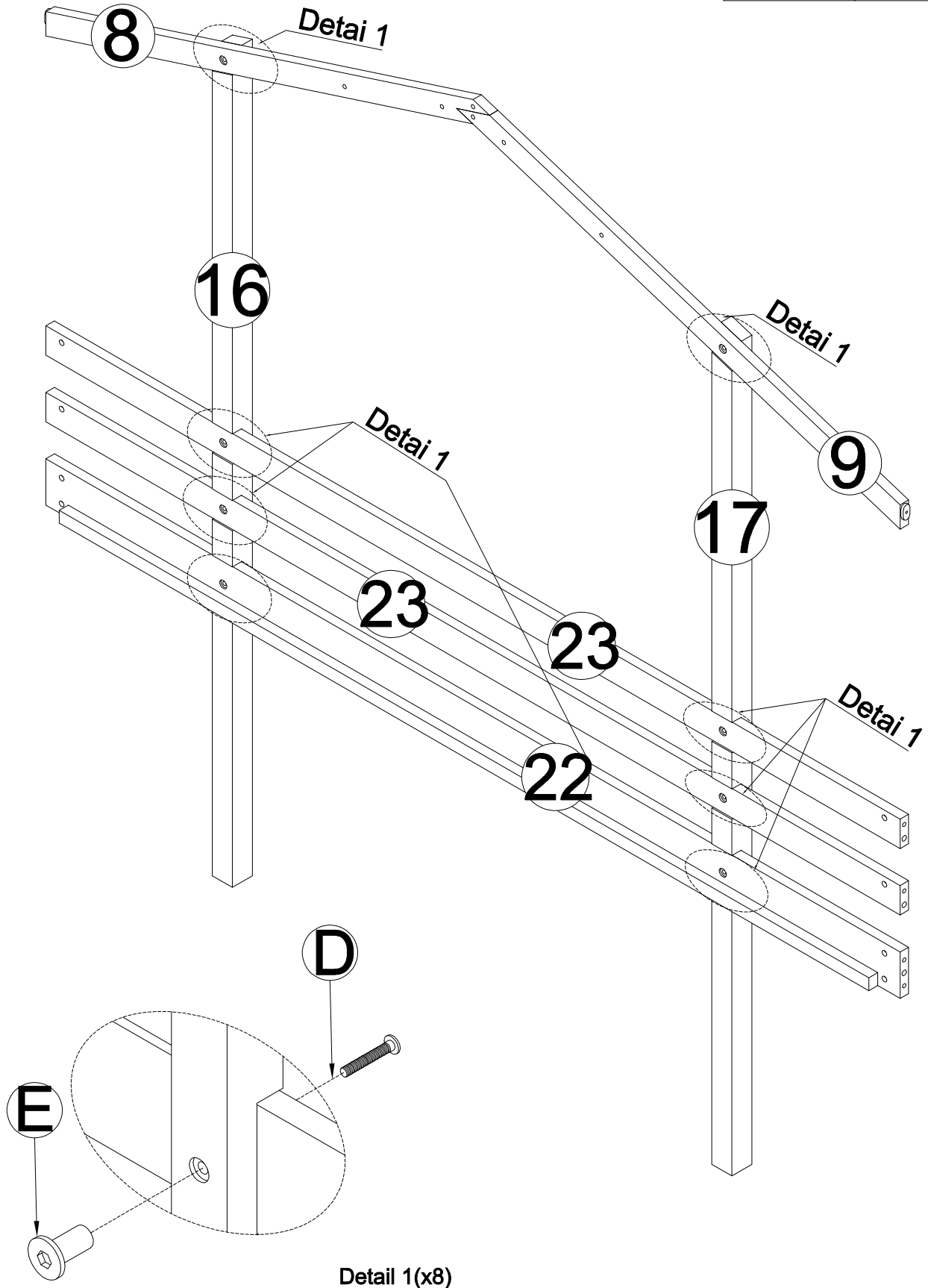
B		A	
2pcs		2pcs	
E		D	
4pcs		4pcs	
		C	
		2pcs	



STEP 3:


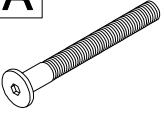
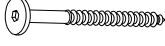

-Using HW #D,#E to connect 16,17 Legs with 22 Side Rail,23(x2) Guard Rail and 8,9 Rails

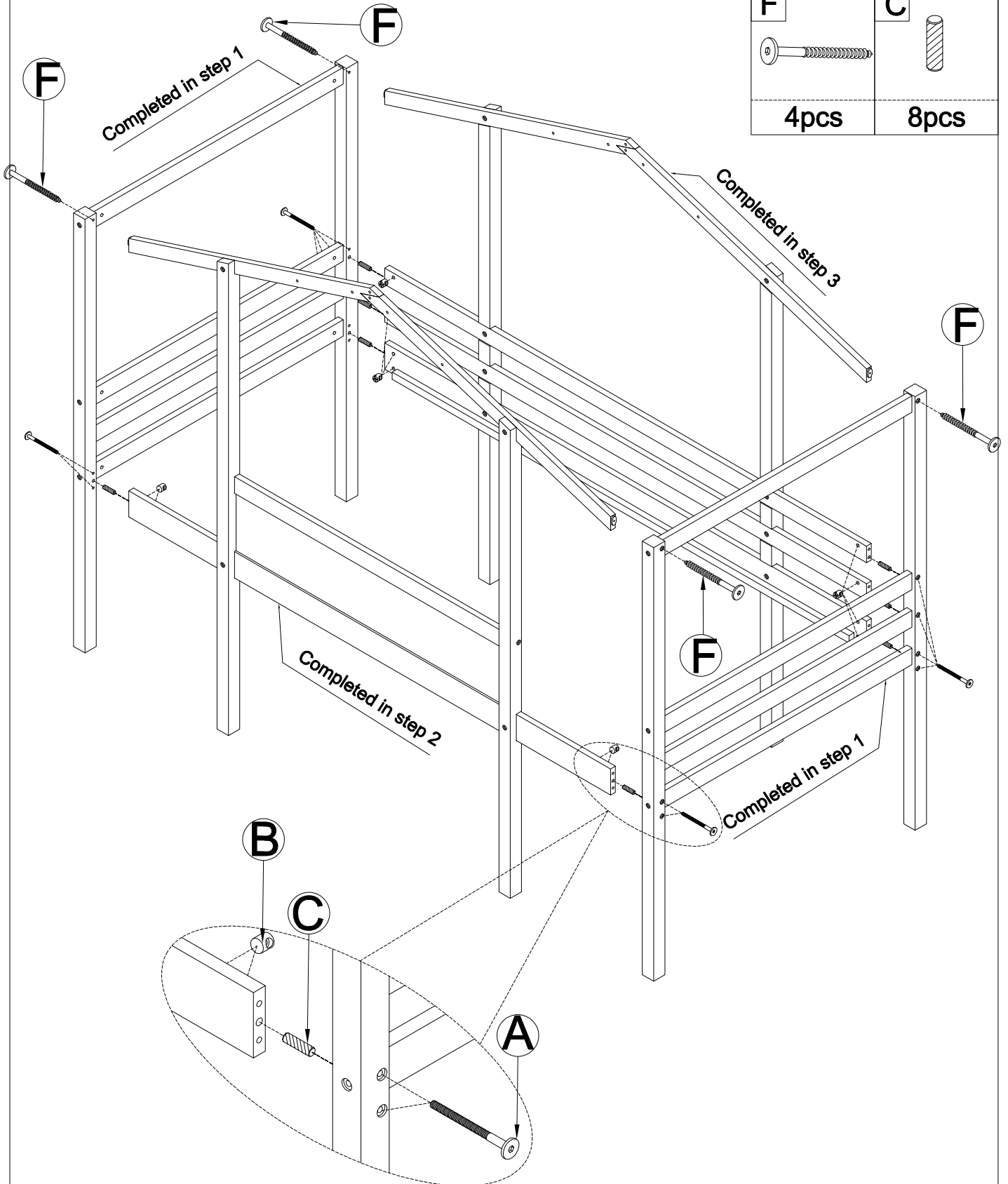
E 	D 
8pcs	8pcs



STEP 4:


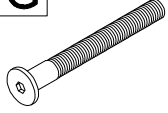
-Using HW #A,#B,#F and Dowel C to connect Frame(Completed in step 1) with Frames (Completed in step 2,step 3)

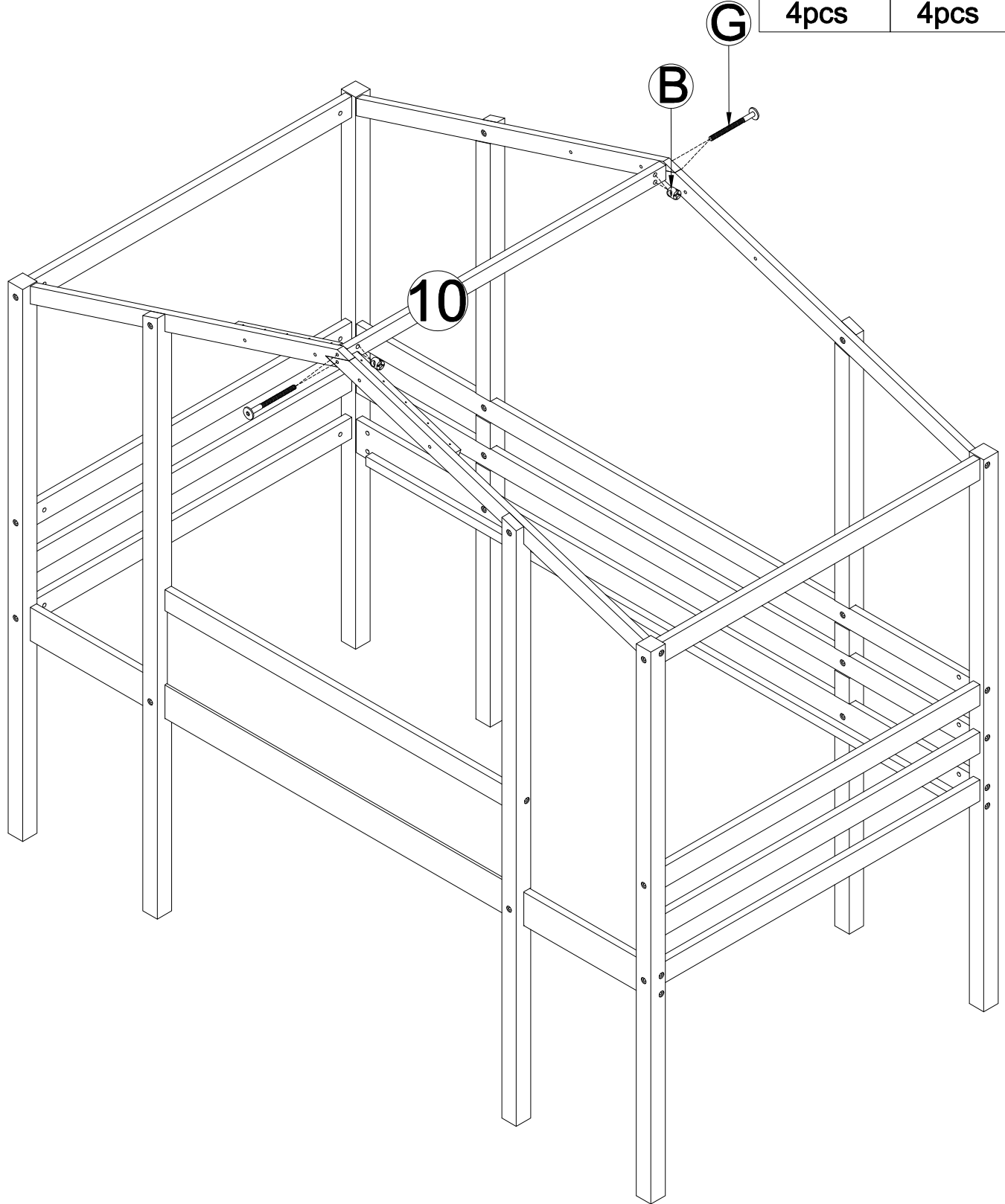
B 	A 
12pcs	12pcs
F 	C 
4pcs	8pcs



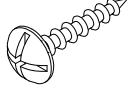

STEP 5:

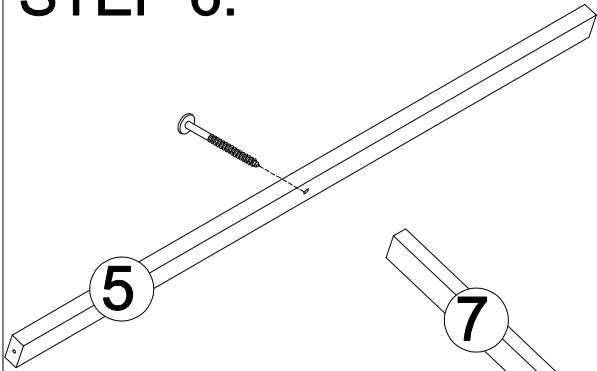
-Using HW #B,#G to connect Frame(Completed in step 4) with 10 Rail

B		G	
4pcs		4pcs	

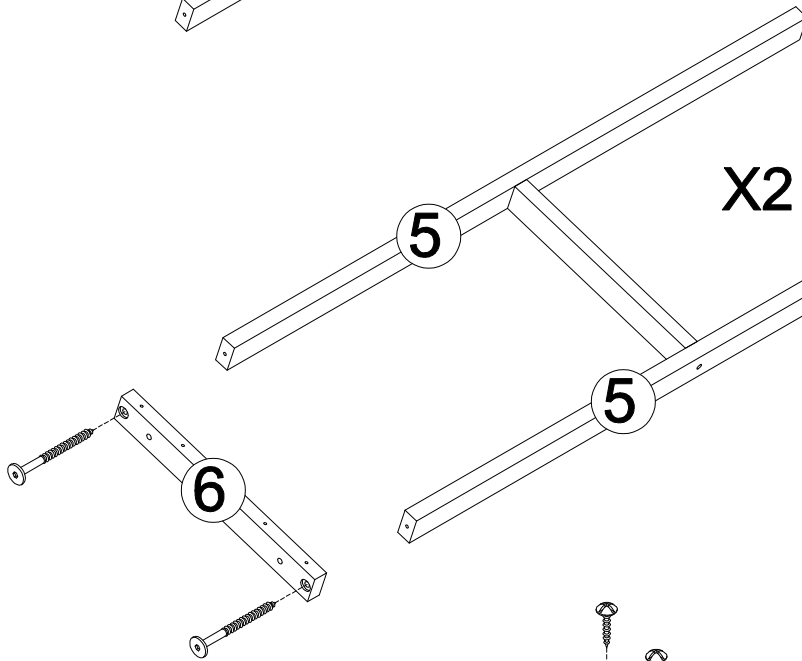
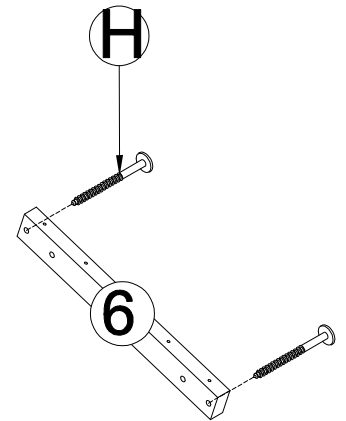
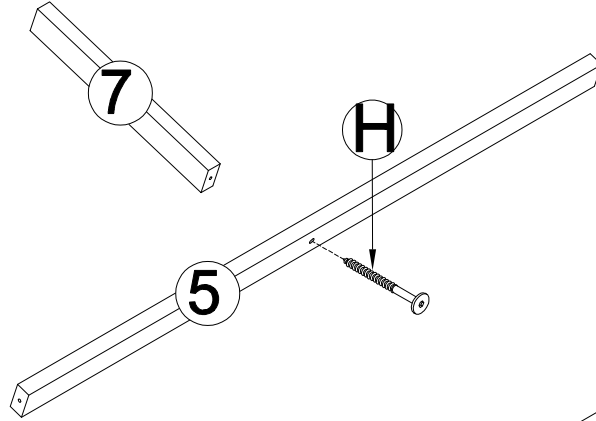


STEP 6:

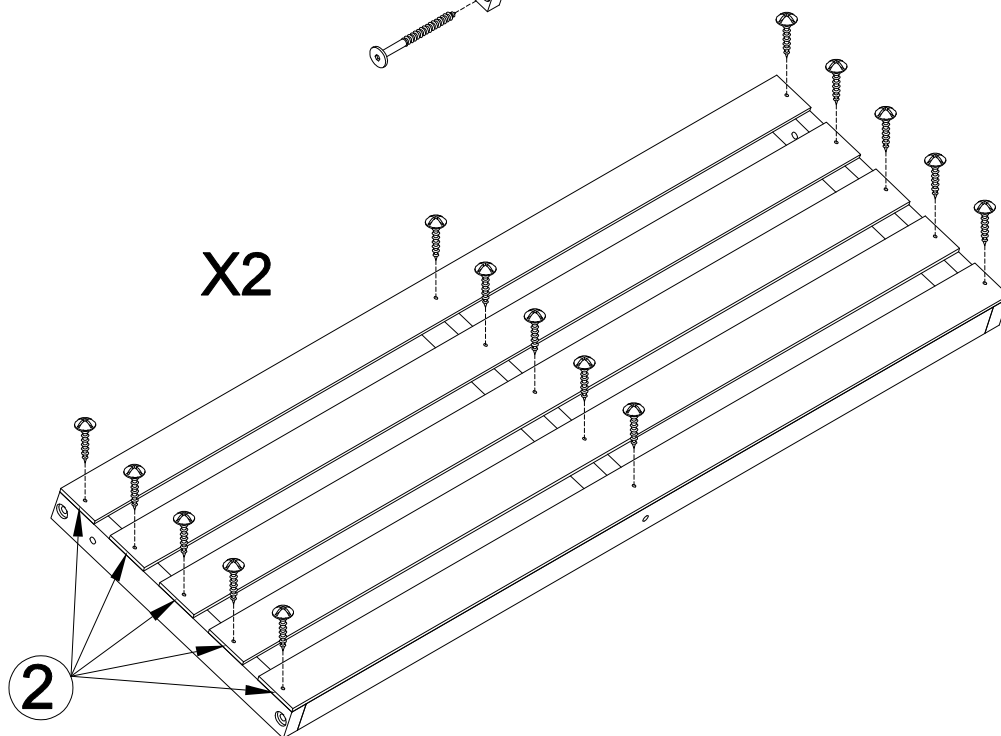
K		H	
15x2pcs		6x2pcs	



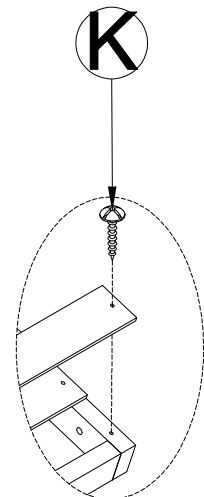
X2



X2

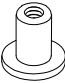
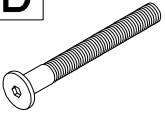


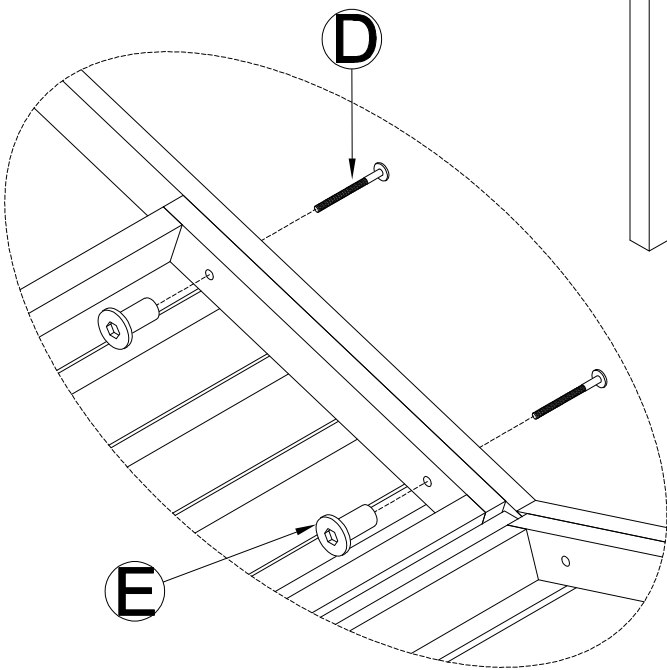
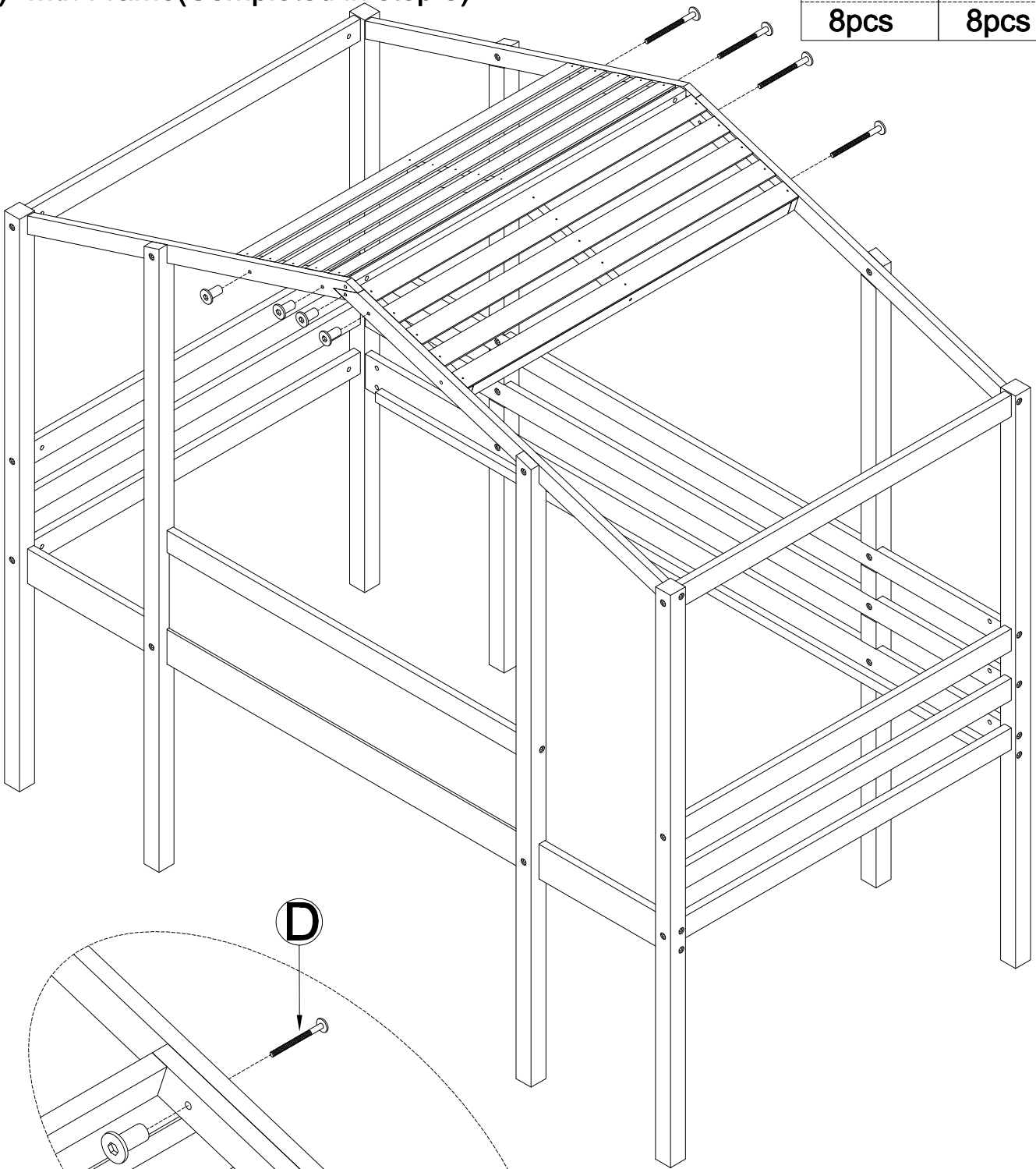
X2



STEP 7:

-Using HW #D,#E to connect Frame(Completed in step 6) with Frame(Completed in step 5)

E 	D 
8pcs	8pcs



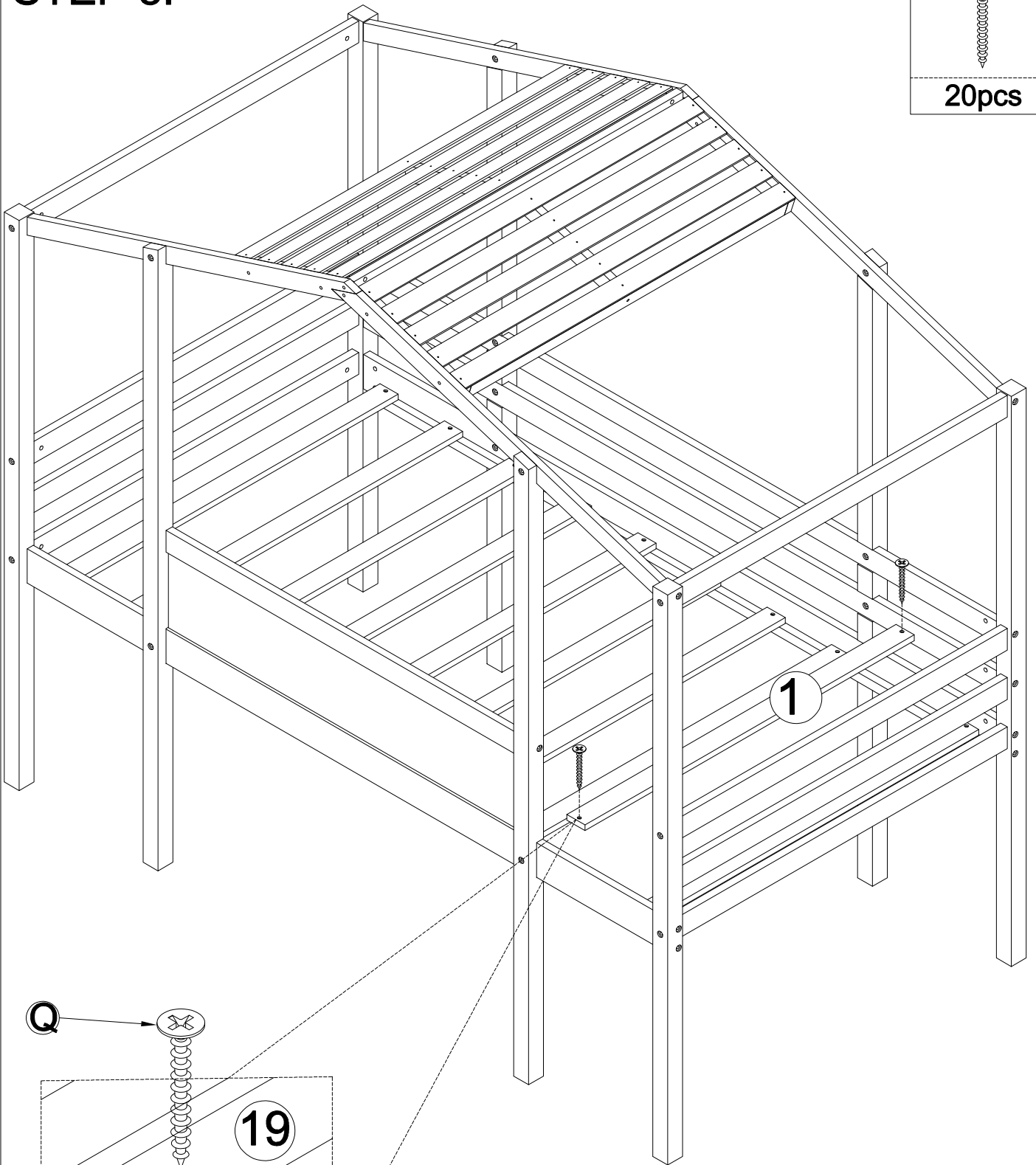
Bottom RoofTop View
(x4)

STEP 8:

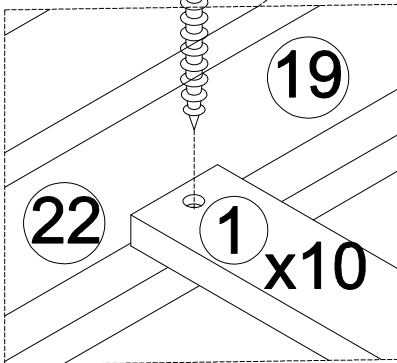
Q



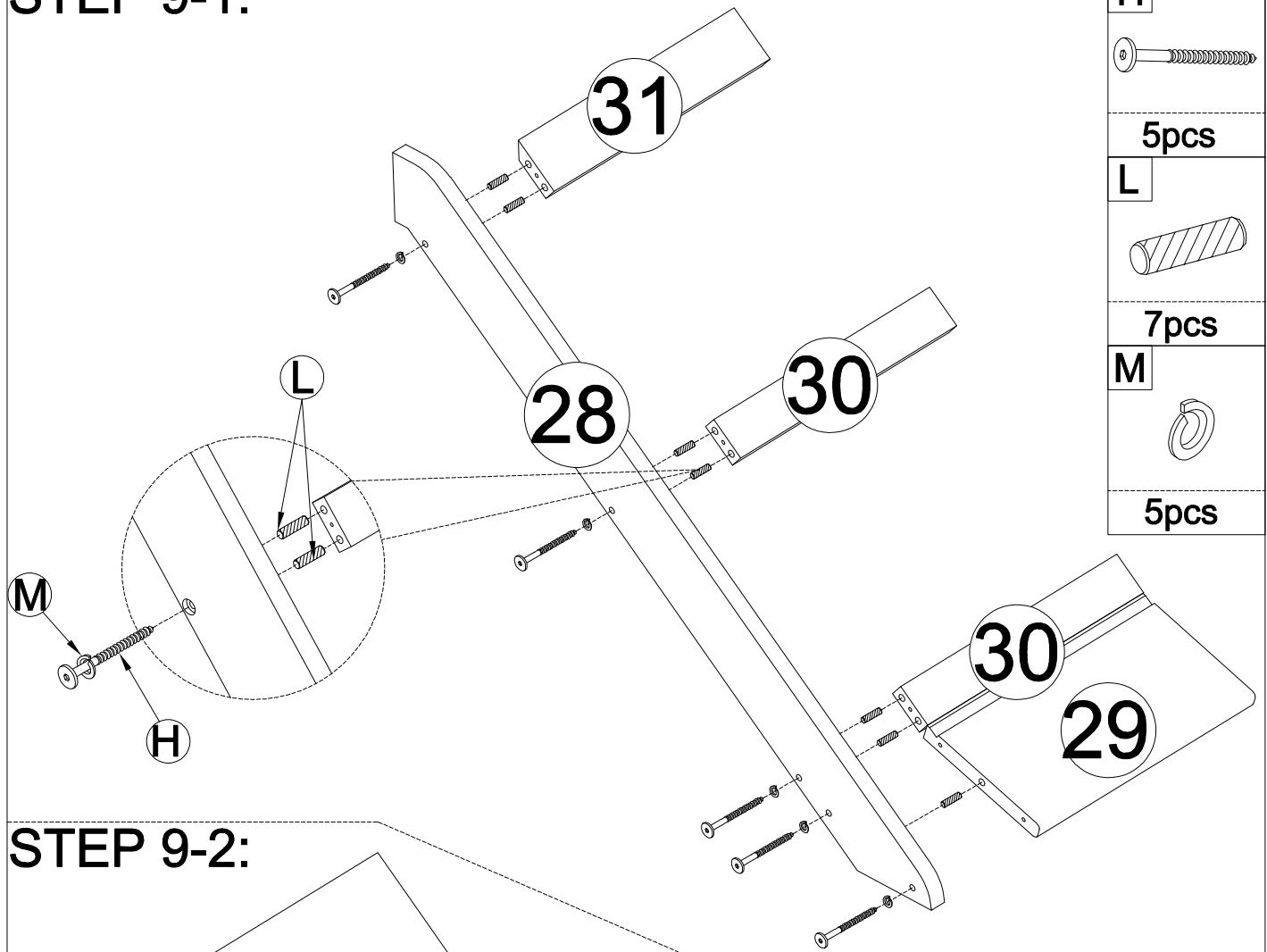
20pcs

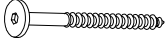
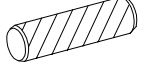



Q

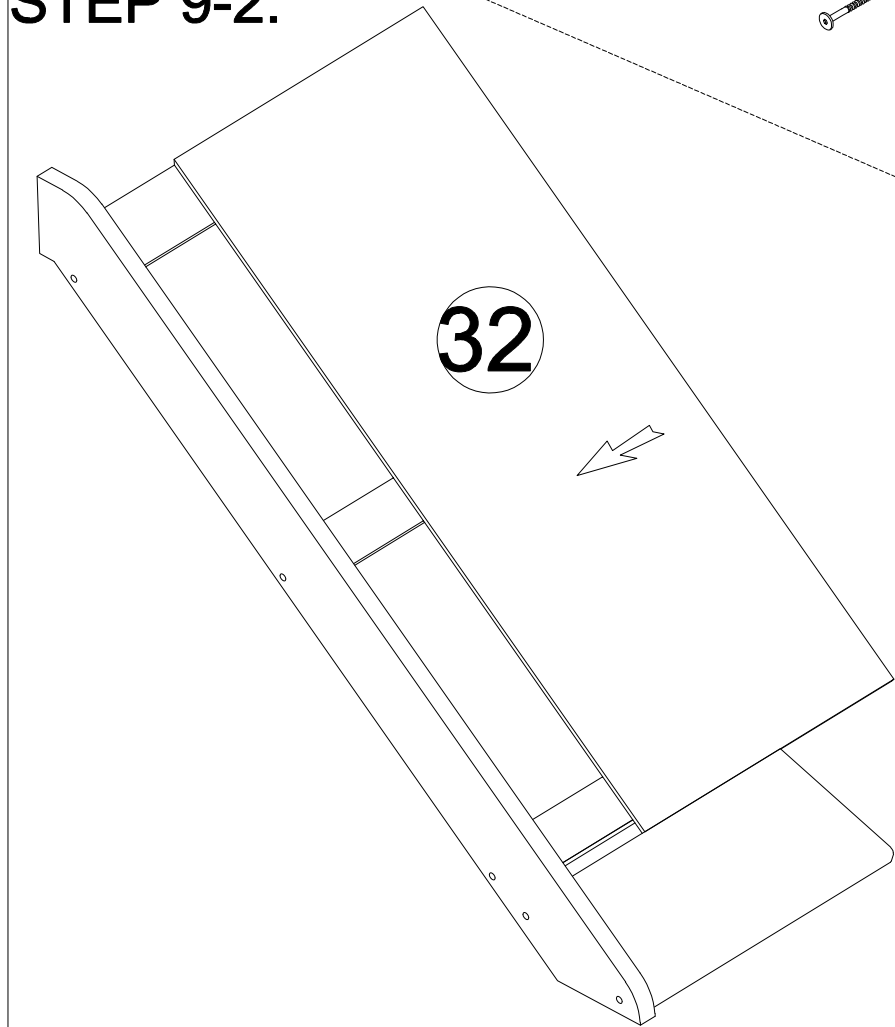


STEP 9-1:

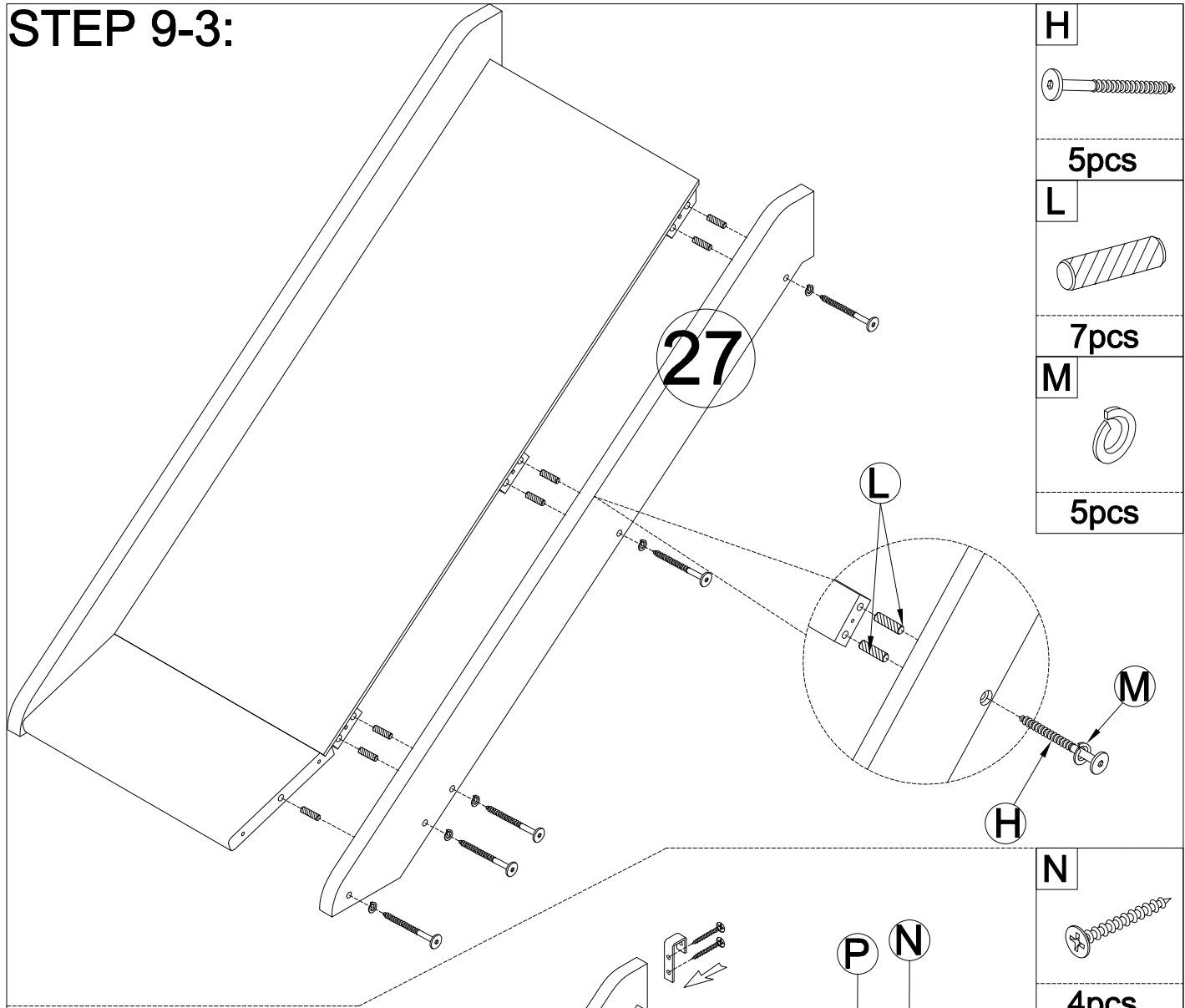


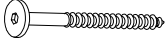
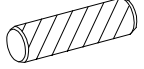

H	
5pcs	
L	
7pcs	
M	
5pcs	

STEP 9-2:

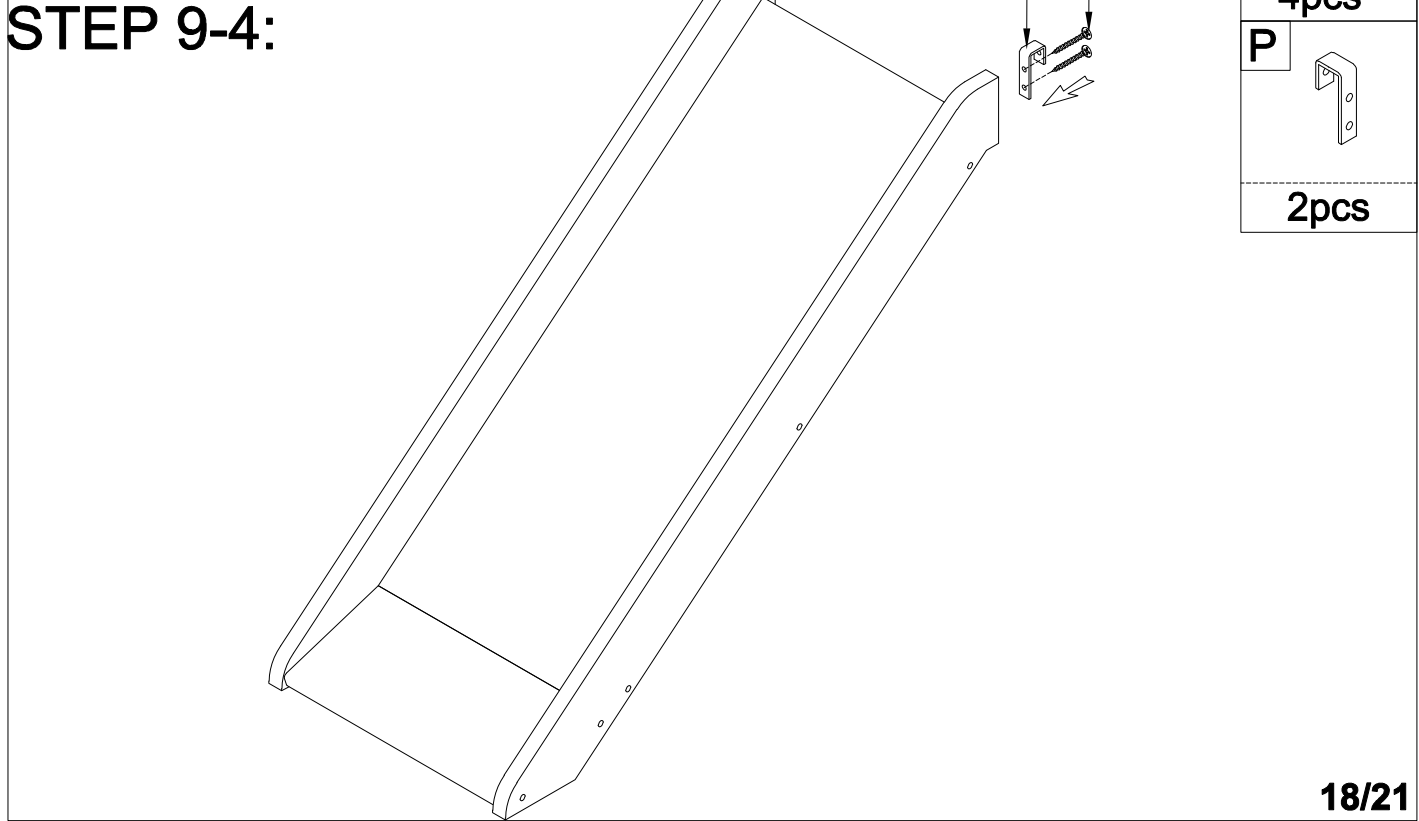


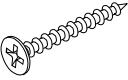
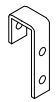
STEP 9-3:



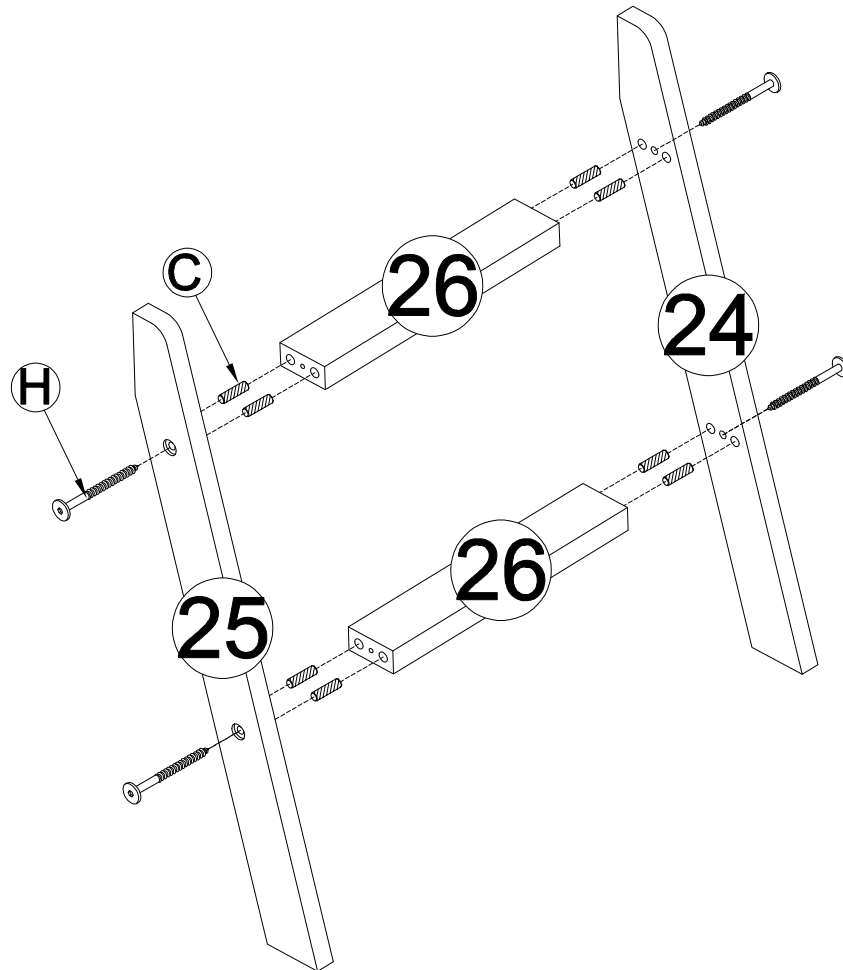
- H**

- 5pcs**
- L**

- 7pcs**
- M**

- 5pcs**

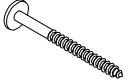

STEP 9-4:



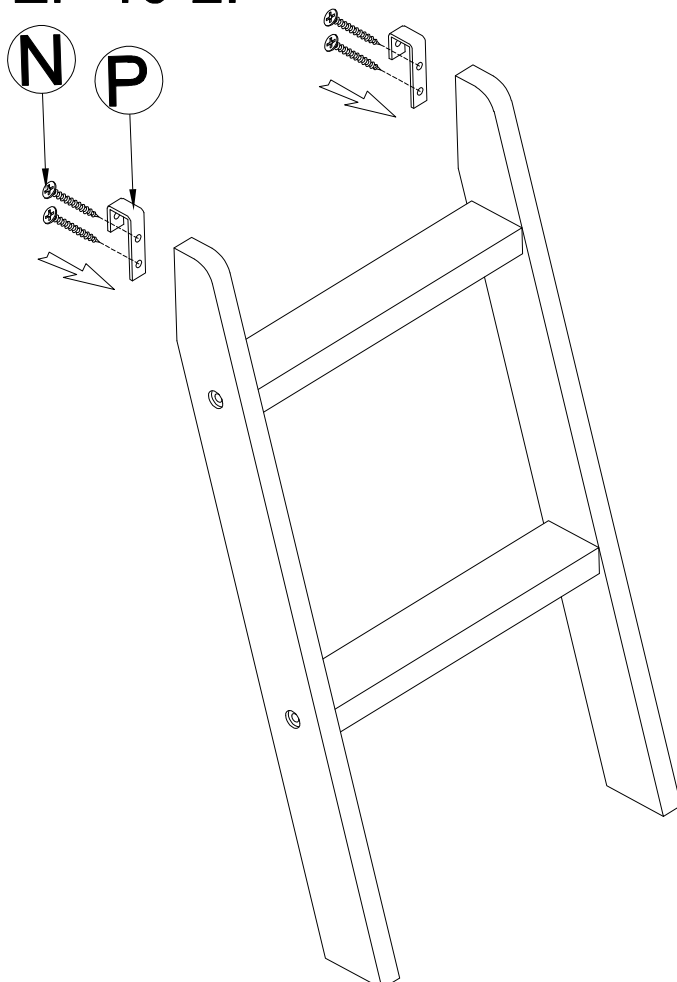
- N**

- 4pcs**
- P**

- 2pcs**

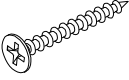
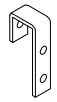
STEP 10-1:



H	
	4pcs
C	
	8pcs

STEP 10-2:

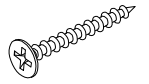


N	
	4pcs
P	
	2pcs

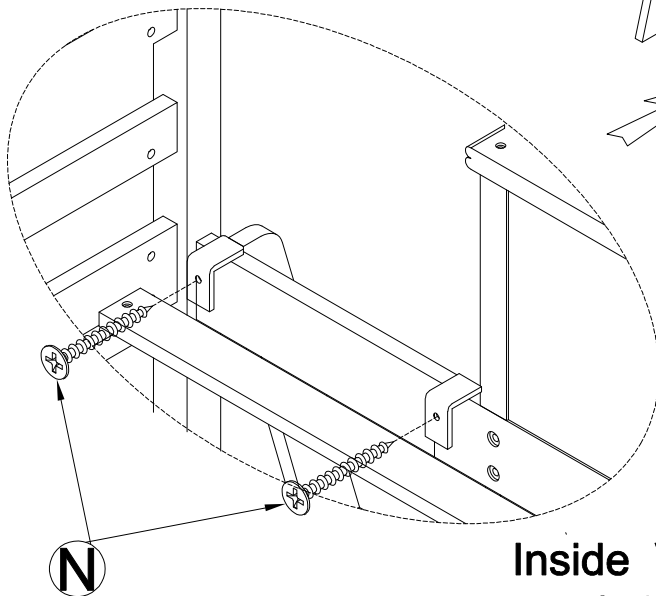
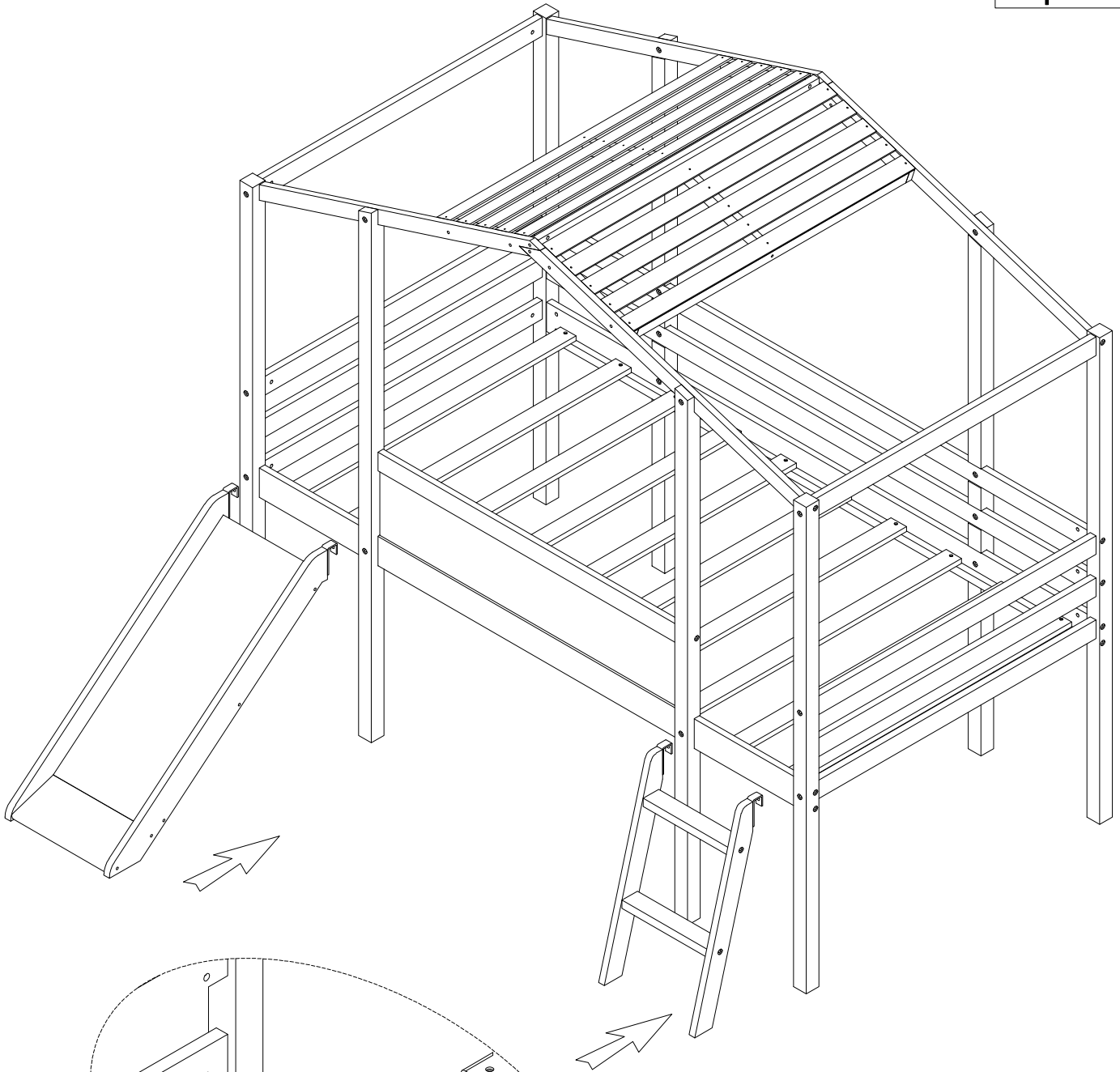
STEP 11:

-Using HW #N to connect Frame(Completed in step 8)
with Frames(Completed in step 9-4,step 10-2)

N



4pcs



Inside View
(X2)

STEP 12: CONGRATULATION. YOU HAVE COMPLETED THE BED
Connect the LED wire as shown

