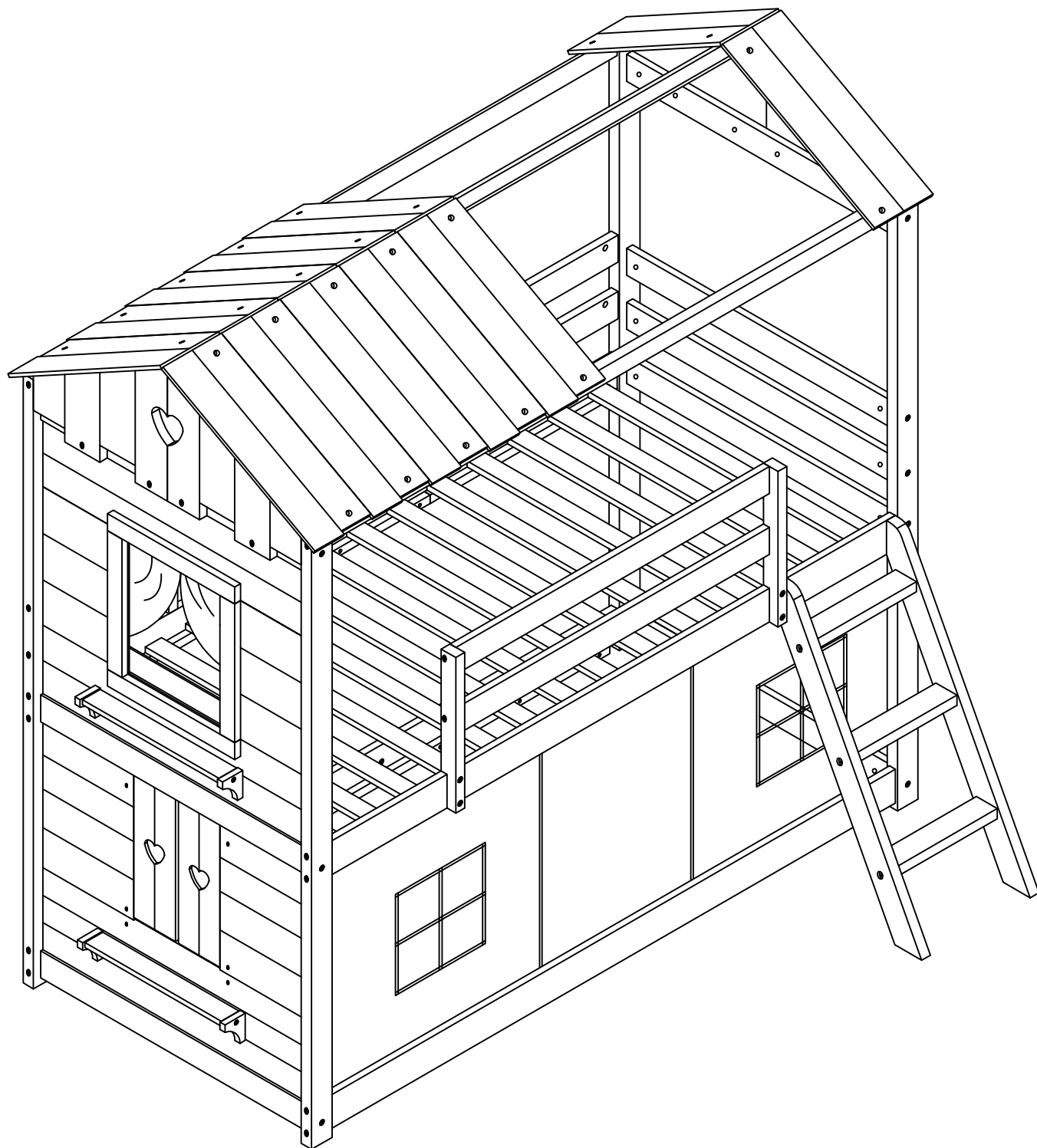


ASSEMBLY INSTRUCTIONS

BUNKBED - TWIN



WF310911/WF310912

! SAFETY WARNINGS !

1. This bed is designed for use only mattress(es) meeting the following specifications on the upper bunk, and lower bunk:

Upper bunk


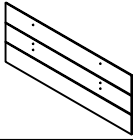

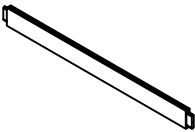
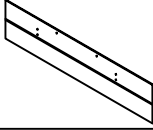

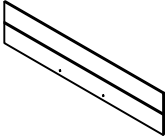
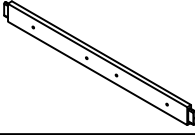
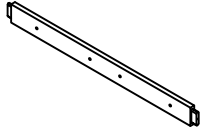
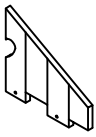
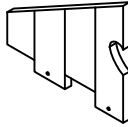
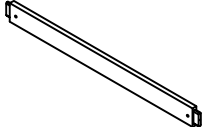
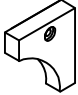

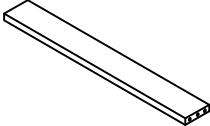


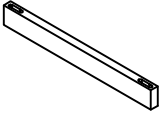
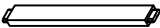
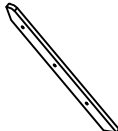
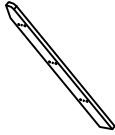
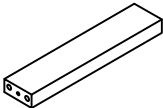
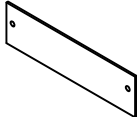
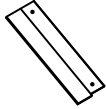
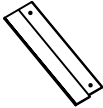
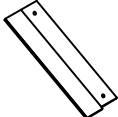
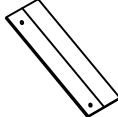





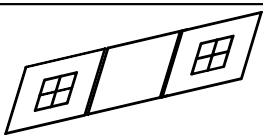
Bed type	Length	Width	Thickness
Twin Standard	74" - 75"	38 1/2"	6"

Lower bunk



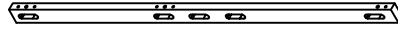
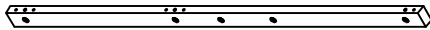
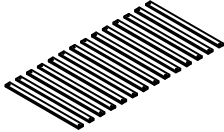
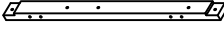
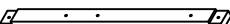
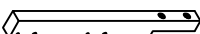
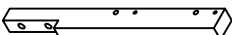
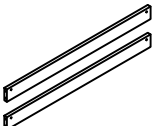
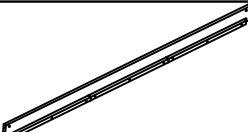
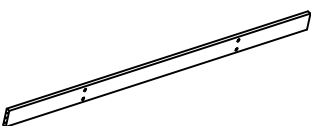
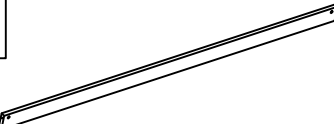
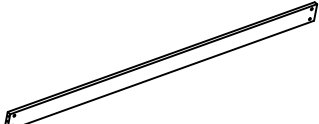
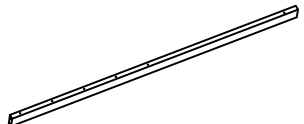



Bed type	Length	Width	Thickness
Twin Standard	74" - 75"	38 1/2"	6"

2. Replacement parts, including additional guardrails, may be obtained from any of our (GIGACLOUD TECHNOLOGY (USA) INC . 18961 ARENTH AVENUS CITY OF INDUSTRY, CA, 91748) dealers
3. Follow the information on the warnings appearing on the upper bunk bed end structure and on the carton. Do not remove warning label from bed.
4. Always use the recommended size mattresses or mattress supports, or both, to help prevent the likelihood of entrapment or falls.
5. Surface of the mattress must be at least 5 in. (127 mm) below the upper edge of guardrails.
6. Do not allow children under 6 years of age to use the upper bunk.
7. Periodically check and ensure that the guardrail, ladder, and other components are in their proper position, free from damage, and that all connectors are tight.
8. Do not allow horseplay on or under the bed and prohibit jumping on the bed
9. Always use the ladder for entering and leaving the upper bunk.
10. Do not use substitute parts. Contact the manufacturer or dealer for replacement parts.
11. Use of a night light may provided added safety precaution for a child using the upper bunk.
12. Always use guardrails on both long sides of the upper bunk. If the bunk bed will be placed next to the wall, the guardrail that runs the full length of the bed should be placed against the wall to prevent entrapment between the bed and wall.
13. The use of water or sleep flotation mattresses is prohibited.
14. STRANGULATION HAZARD – Never attach or hang items to any part of the bunk bed that are not designed for use with the bed; for axample, but not limited, hook, belts and jump ropes.
15. Keep these instructions for future reference
16. Prohidit more than one person on upper bunk .
17. We recommend assembling your bunk bed on the shipping carton to protect your floor or carpet .
18. Be caertain all staples are out of the box before beginning assembly on the shipping carton .

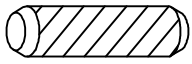



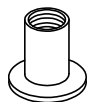
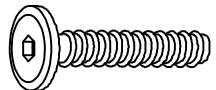
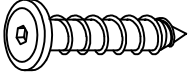
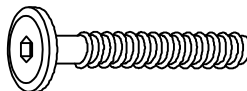

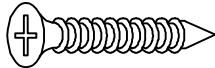
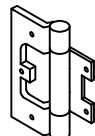
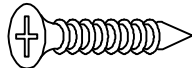

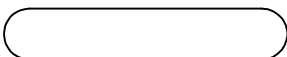

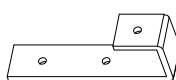

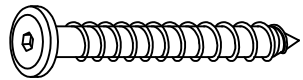
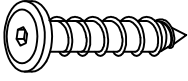
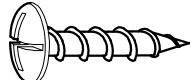
Part List :WF310911

5		6		7	
	Lower rafters - 1pc		Panel - 1pc		Panel - 2pcs
8		9		10	
	Middle groove - 1pc		Panel - 1pc		Panel - 2pcs
11		12		13	
	Panel - 1pc		Upper groove - 1pc		Upper groove - 1pc
14		16		17	
	Roof Panel - 2pcs		Roof Panel - 2pcs		Crossbar - 4pcs
18		19		20	
	Foot shelf - 2pcs		Foot shelf - 2pcs		Shelves - 2pcs
23		24		25	
	Window (left) - 1pc		Window (right) - 1pc		Window bar - 2pcs
26		34		35	
	Window bar - 2pcs		Stair foot (left) - 1pc		Stair foot (right) - 1pc
36		37		41	
	Stair steps - 3pcs		Cladding panels - 1pc		Roof panels (left) - 1pc
42		43		44	
	Roof panels (middle) - 3pcs		Roof panels (right) - 1pc		Roof panels (right) - 1pc
45		46		47	
	Roof panels (left) - 1pc		Roof panels (middle) - 3pcs		Roof panels (right) - 1pc
48		49		50	
	Roof panels (left) - 1pc		Window fabric - 1pc		Window fabric - 1pc



Part List :WF310912

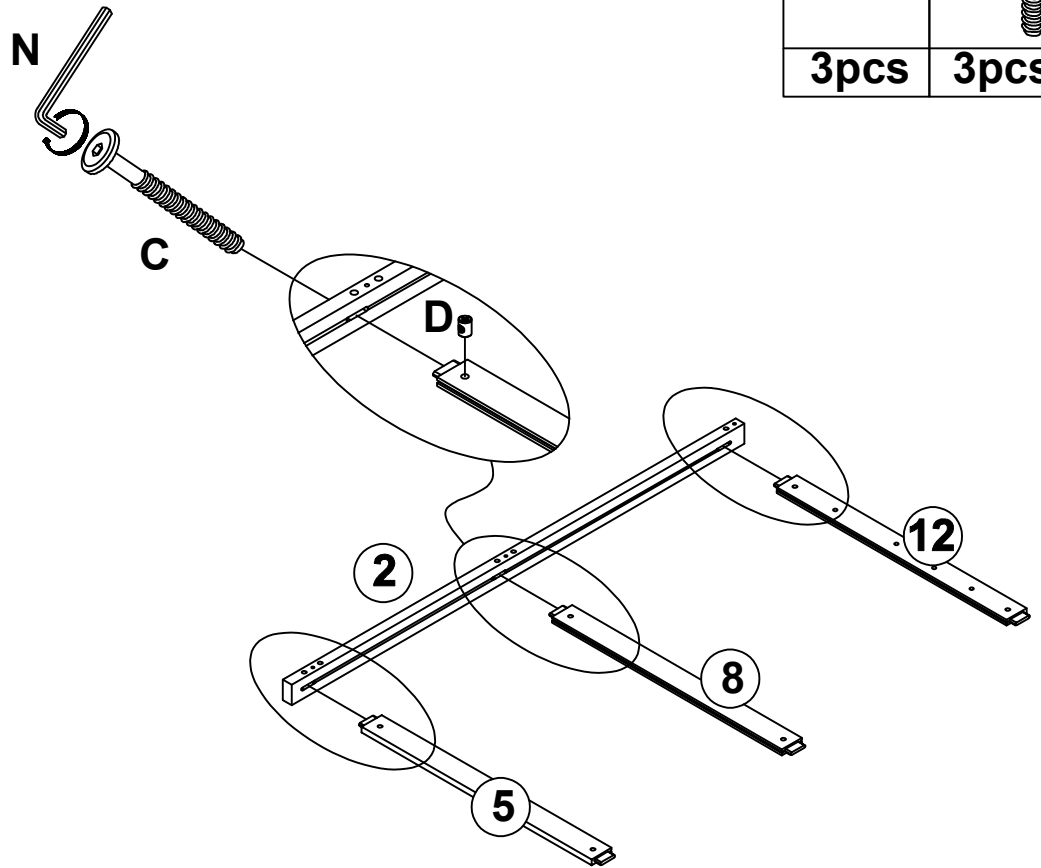
1 	2 	3 
Supporting leg - 1pc	Supporting leg - 1pc	Supporting leg - 1pc
4 	15 	21 
Supporting leg - 1pc	Slats - 14pcs	Splints - 1pc
22 	27 	28 
Splints - 1pc	Balustrade bar - 1pc	Balustrade bar - 1pc
29 	30 	31 
Short railing - 2pcs	Upper bed shoulder - 1pc	Upper bed shoulder - 1pc
32 	33 	38 
Long crossbar - 2pcs	Lower shoulder - 2pcs	Roof beam (front) - 1pc
39 	40 	51 
Roof beam (middle) - 1pc	Roof beam (left) - 1pc	Railing brace - 1pc

Hardware List :WF310912

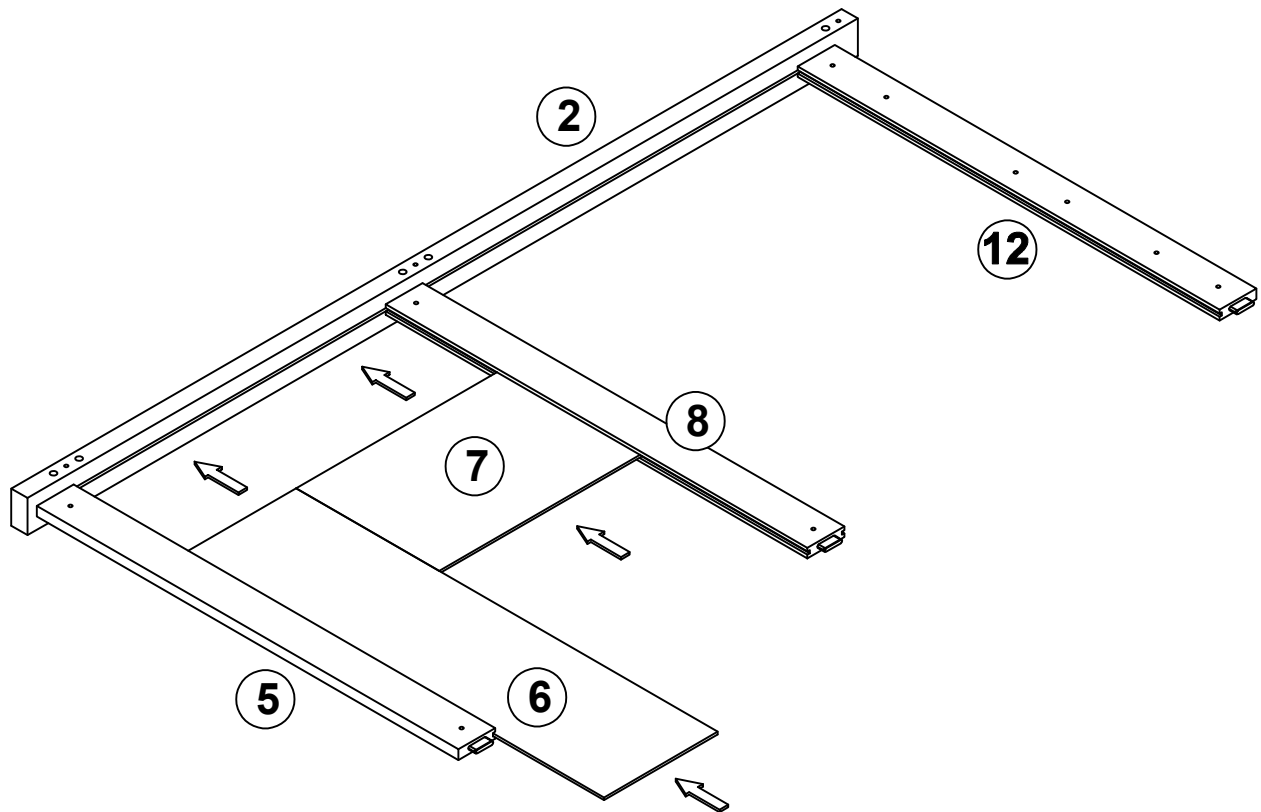
<p>A</p>  <p>Ø10*30mm</p> <p>Wood dowel (40pcs)</p>	<p>B</p>  <p>Ø1/4"*110mm</p> <p>Hex-Head bolt (24pcs)</p>	<p>C</p>  <p>Ø1/4"*80mm</p> <p>Hex-Head bolt (16pcs)</p>
<p>D</p>  <p>Ø1/4"*9.5*12mm</p> <p>Horizontal-Hole bolt (58pcs)</p>	<p>E</p>  <p>Ø1/4"15</p> <p>Nut (16pcs)</p>	<p>F</p>  <p>Ø1/4"*30mm</p> <p>Hex-Head bolt (8pcs)</p>
<p>G</p>  <p>Ø6*25mm</p> <p>Hex-Head screw (38pcs)</p>	<p>H</p>  <p>Ø1/4"*65mm</p> <p>Hex-Head bolt (18pcs)</p>	<p>J</p>  <p>Ø1/4"*20mm</p> <p>Hex-Head bolt (8pcs)</p>
<p>K</p>  <p>#4*30mm</p> <p>Screw (28pcs)</p>	<p>L</p>  <p>Hinge (4pcs)</p>	<p>M</p>  <p>#3.5*12mm</p> <p>Screw (20pcs)</p>
<p>N</p>  <p>K4mm</p> <p>Allen key (2pcs)</p>	<p>O</p>  <p>90*17*2mm</p> <p>Foam stick (2pcs)</p>	<p>P</p>  <p>#4*20mm</p> <p>Screw (6pcs)</p>
<p>Q</p>  <p>Hook (2pcs)</p>	<p>R</p>  <p>#4*50mm</p> <p>Screw (4pcs)</p>	<p>Z</p>  <p>Ø6*40mm</p> <p>Hex-Head screw (8pcs)</p>
<p>W</p>  <p>Ø6*30mm</p> <p>Hex-Head screw (3pcs)</p>	<p>V</p>  <p>Ø3.5*15mm</p> <p>Wood screws (3pcs)</p>	

Step 1 :

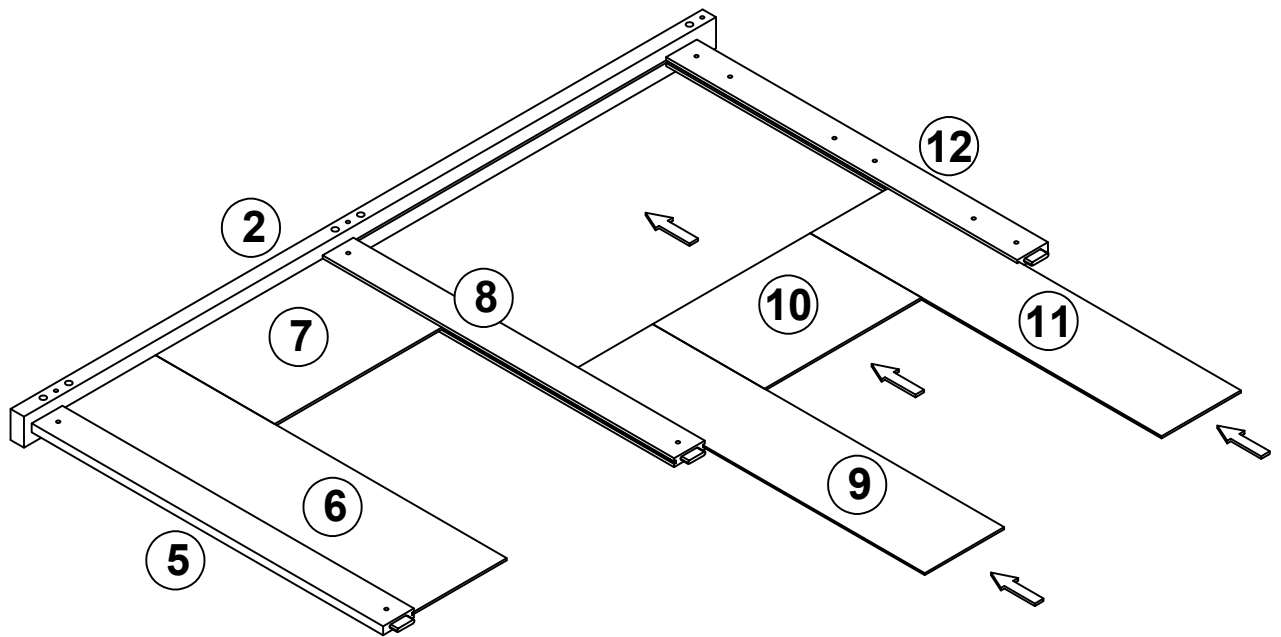
D	C
	
3pcs	3pcs



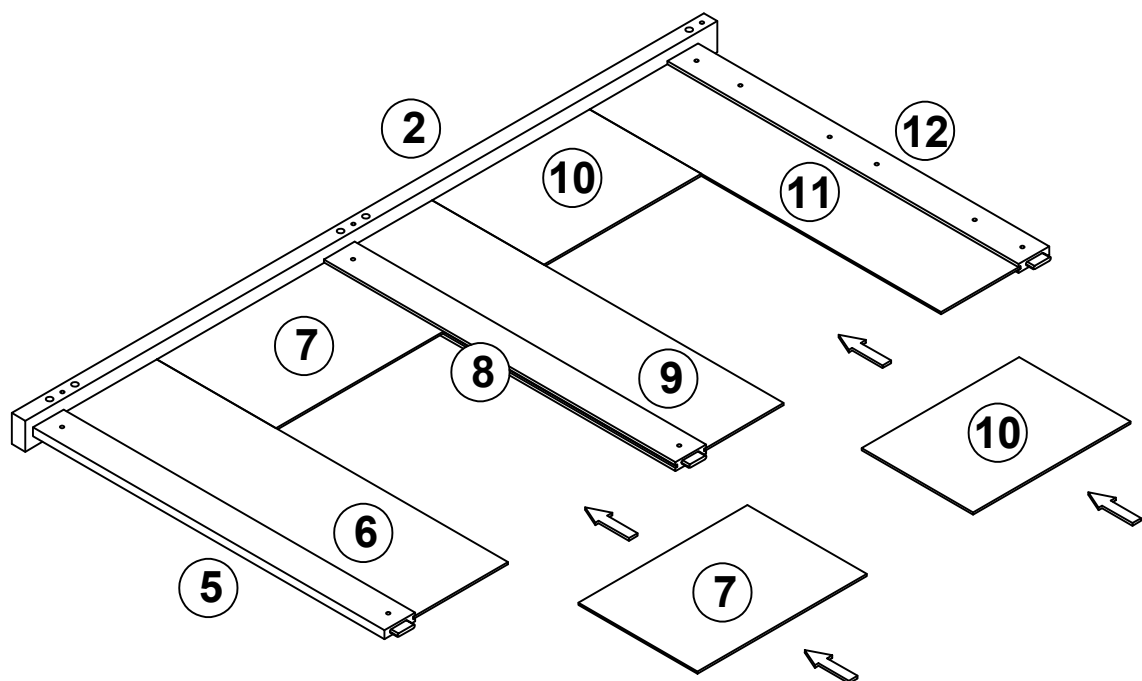
Step 2 :



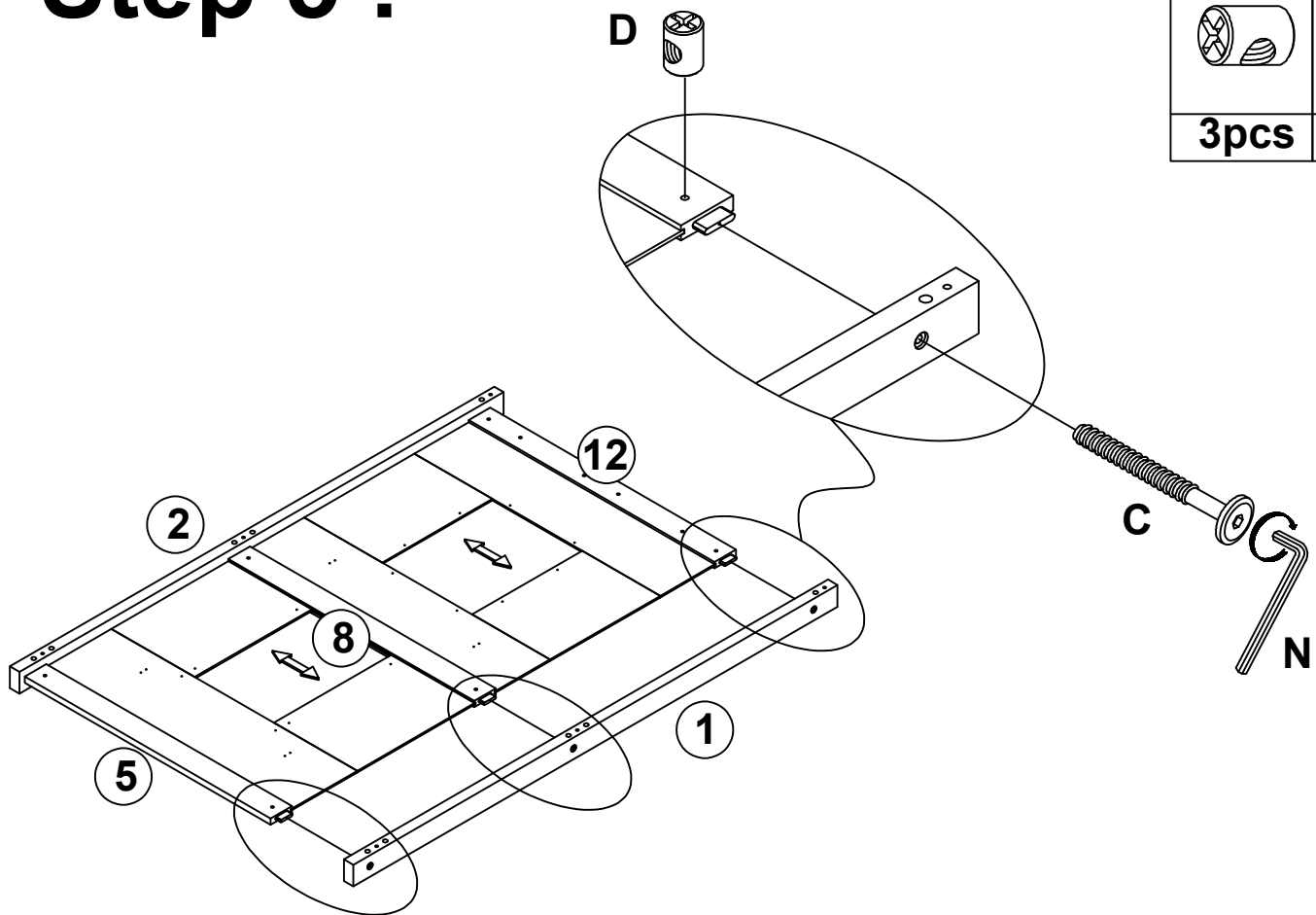
Step 3 :



Step 4 :

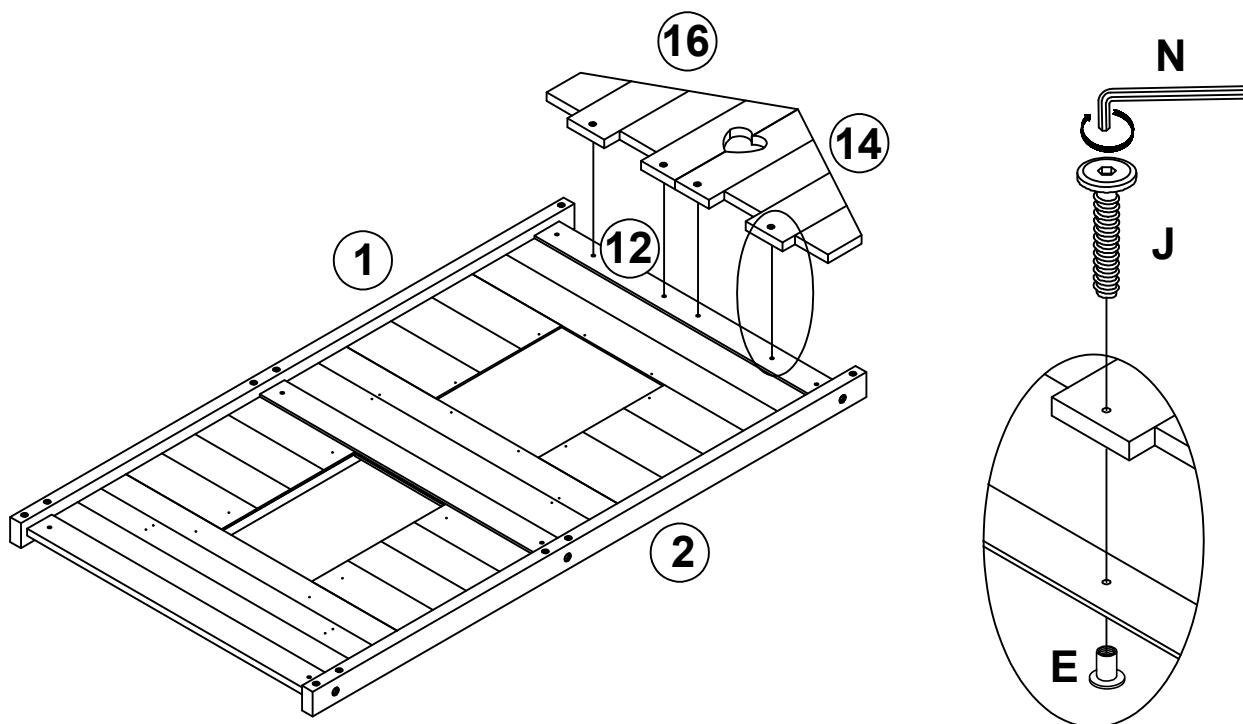


Step 5 :



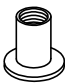

D	C
3pcs	3pcs

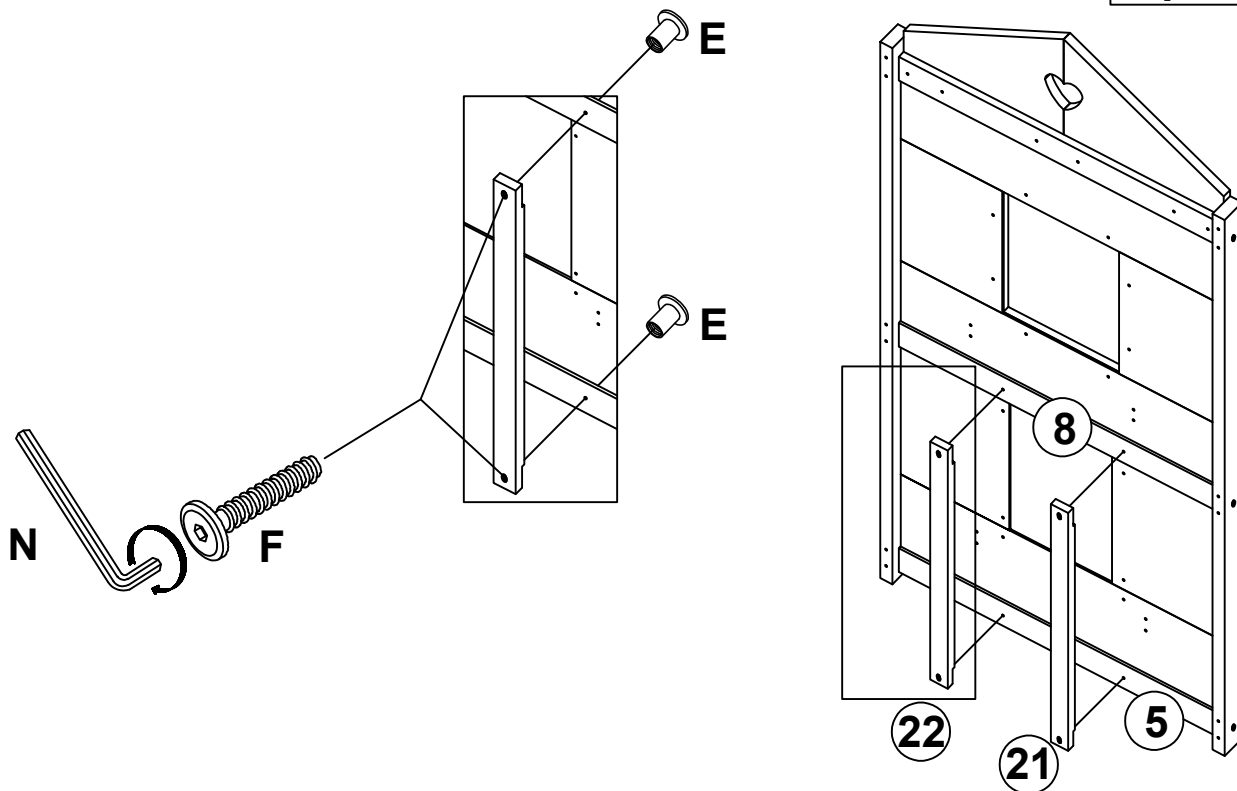
Step 6 :




J	E
4pcs	4pcs

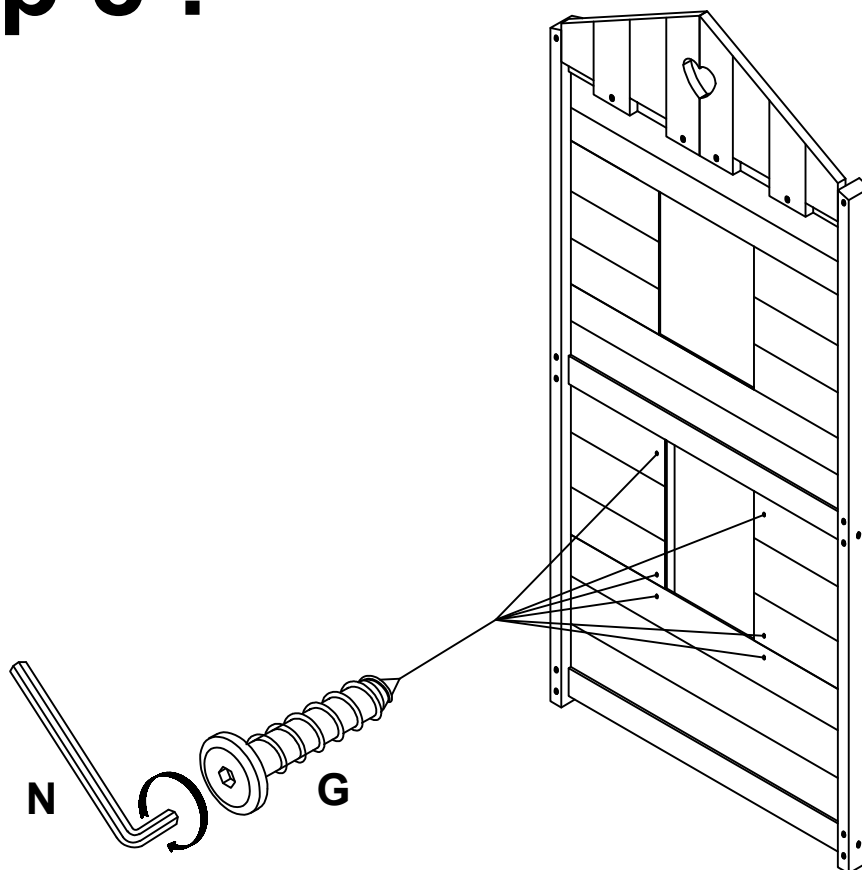
Step 7 :

E	F
	
4pcs	4pcs

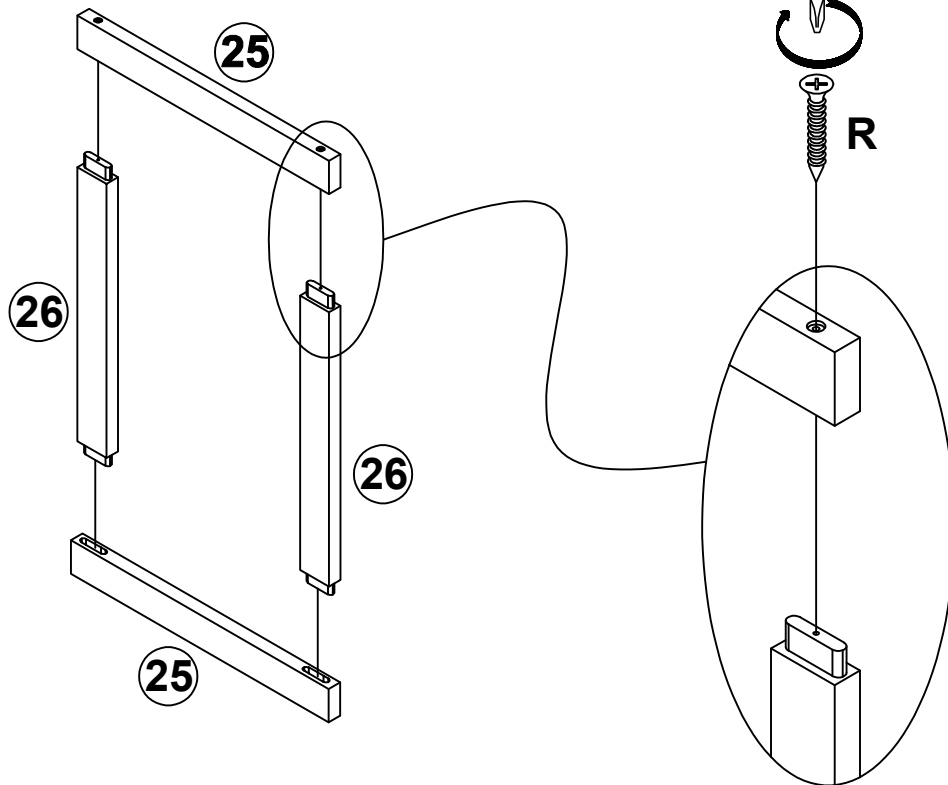


Step 8 :

G

6pcs



Step 9 :

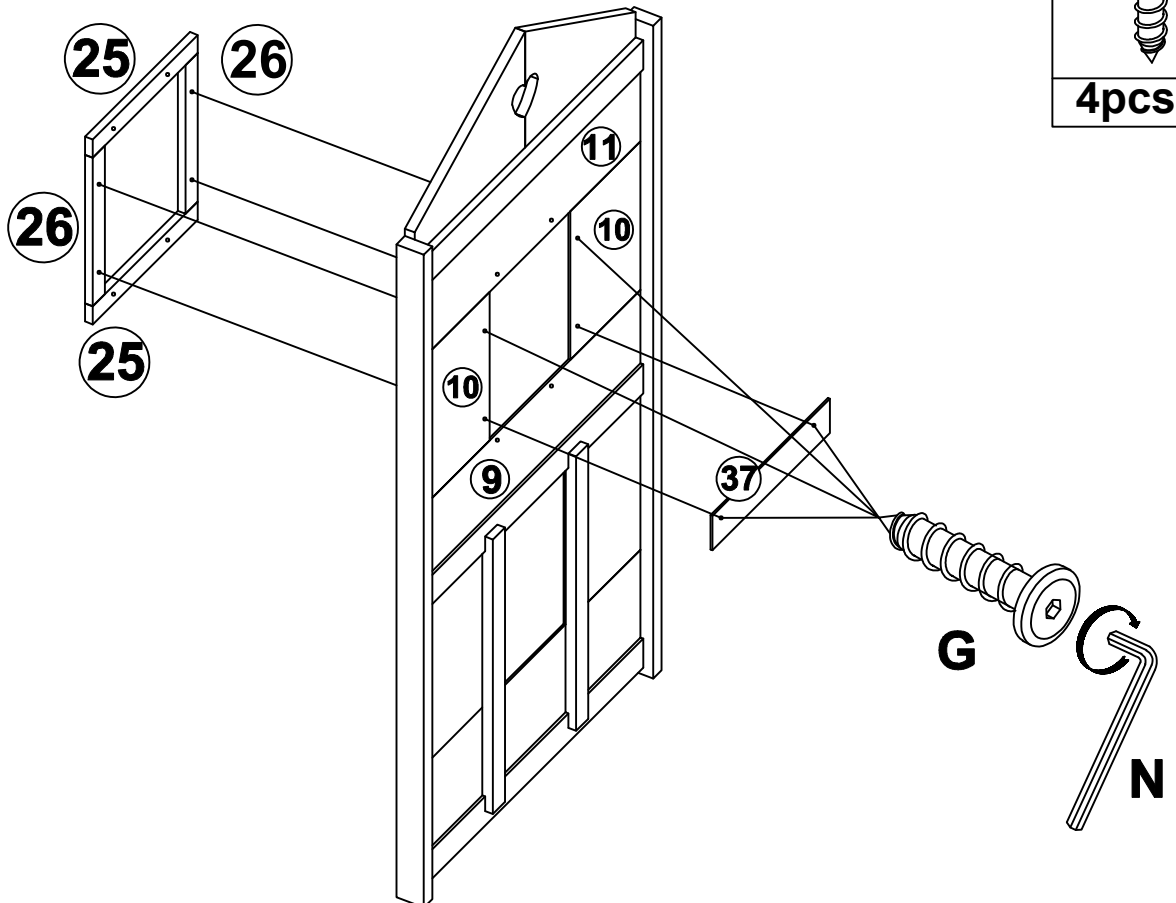


R



4pcs

Step 10 :

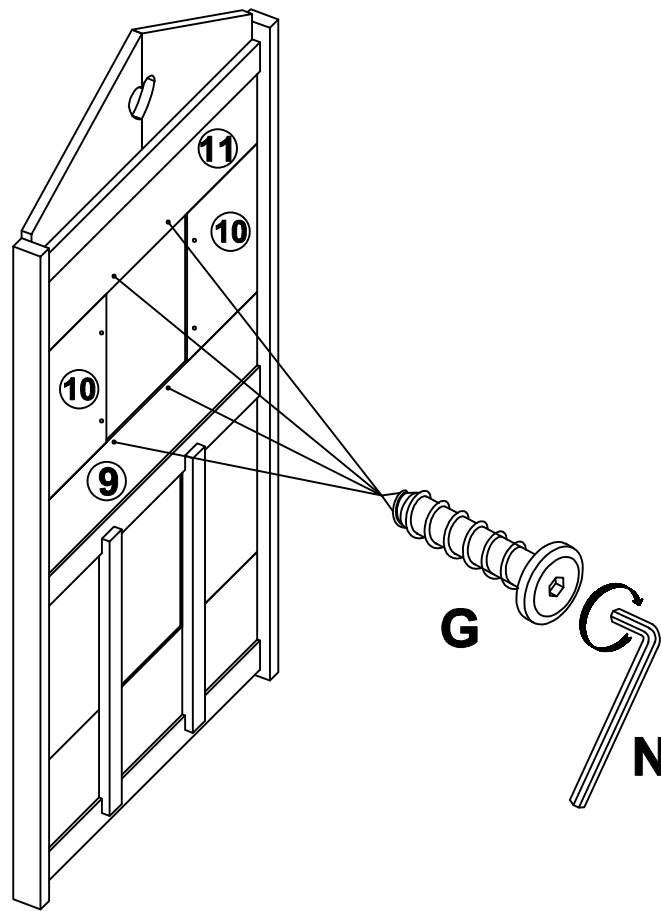


G



4pcs

Step 11 :

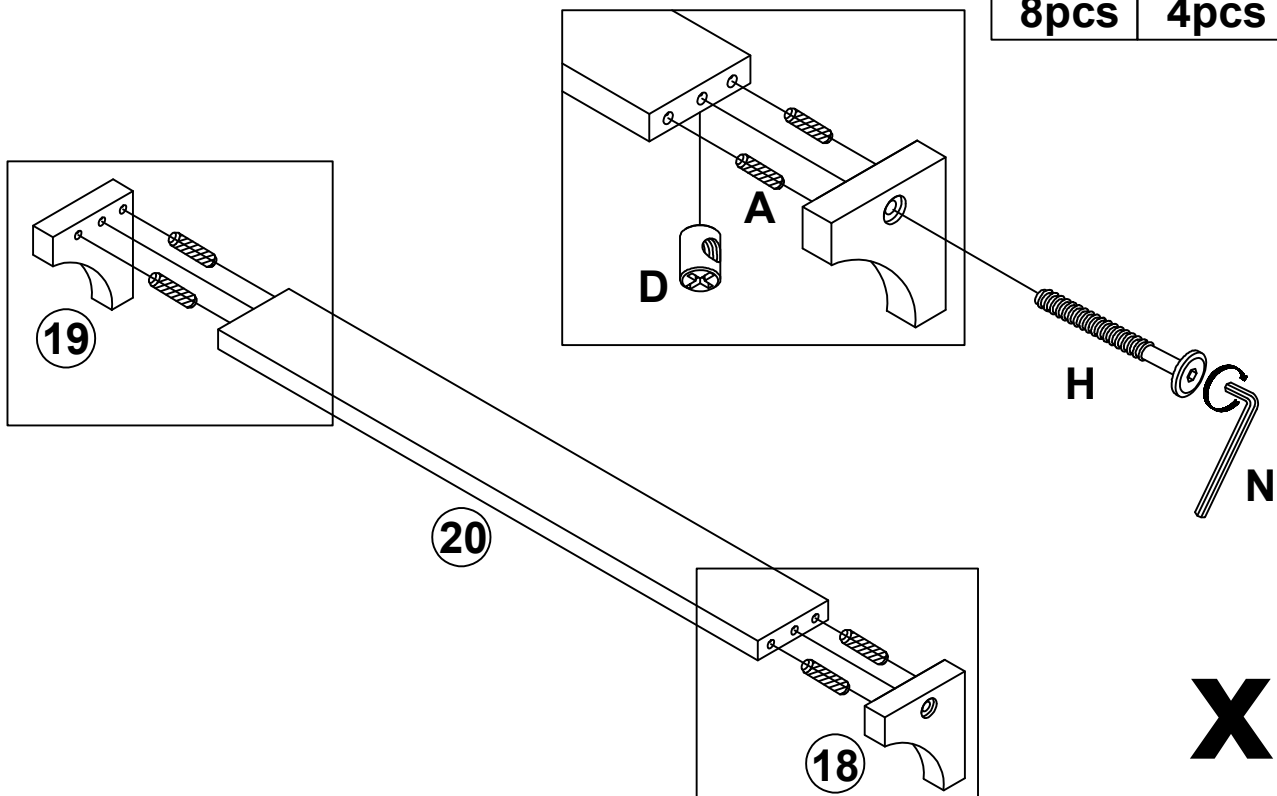


G



4pcs

Step 12 :

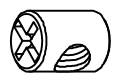


A



8pcs

D



4pcs

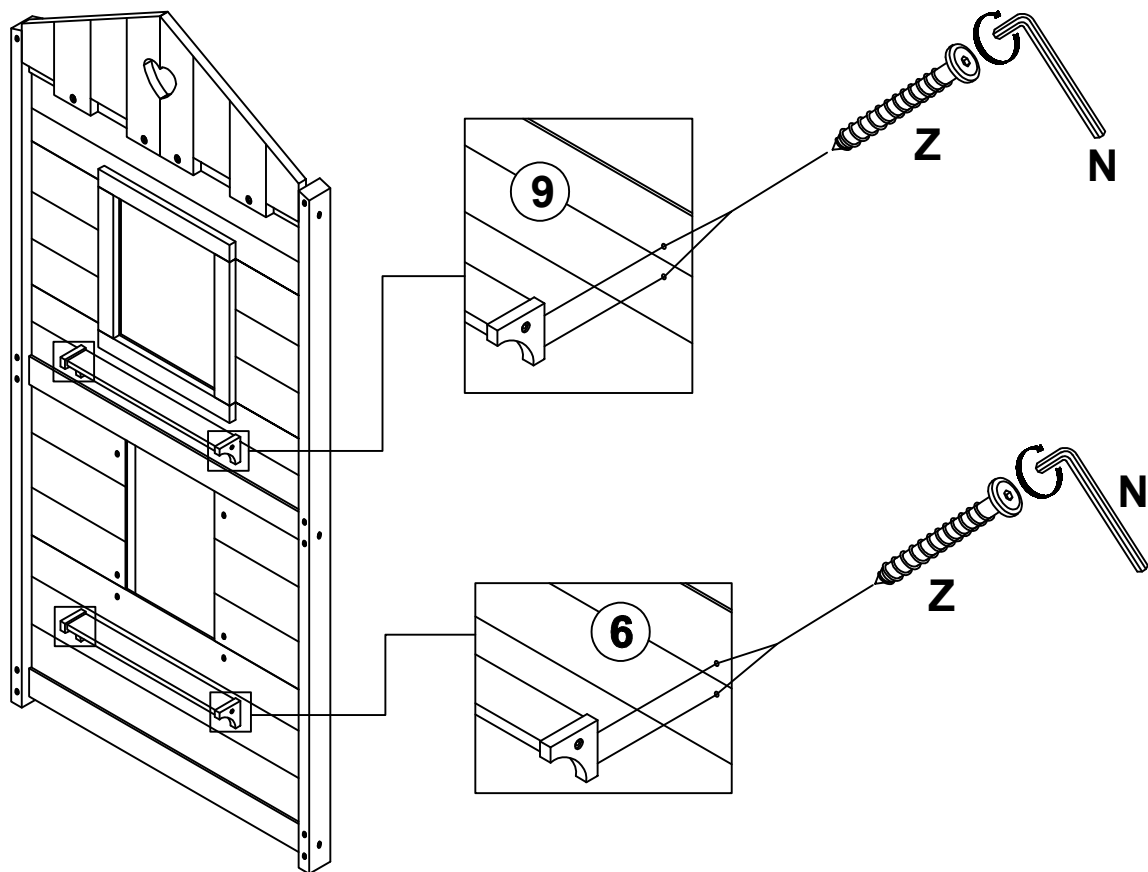
H



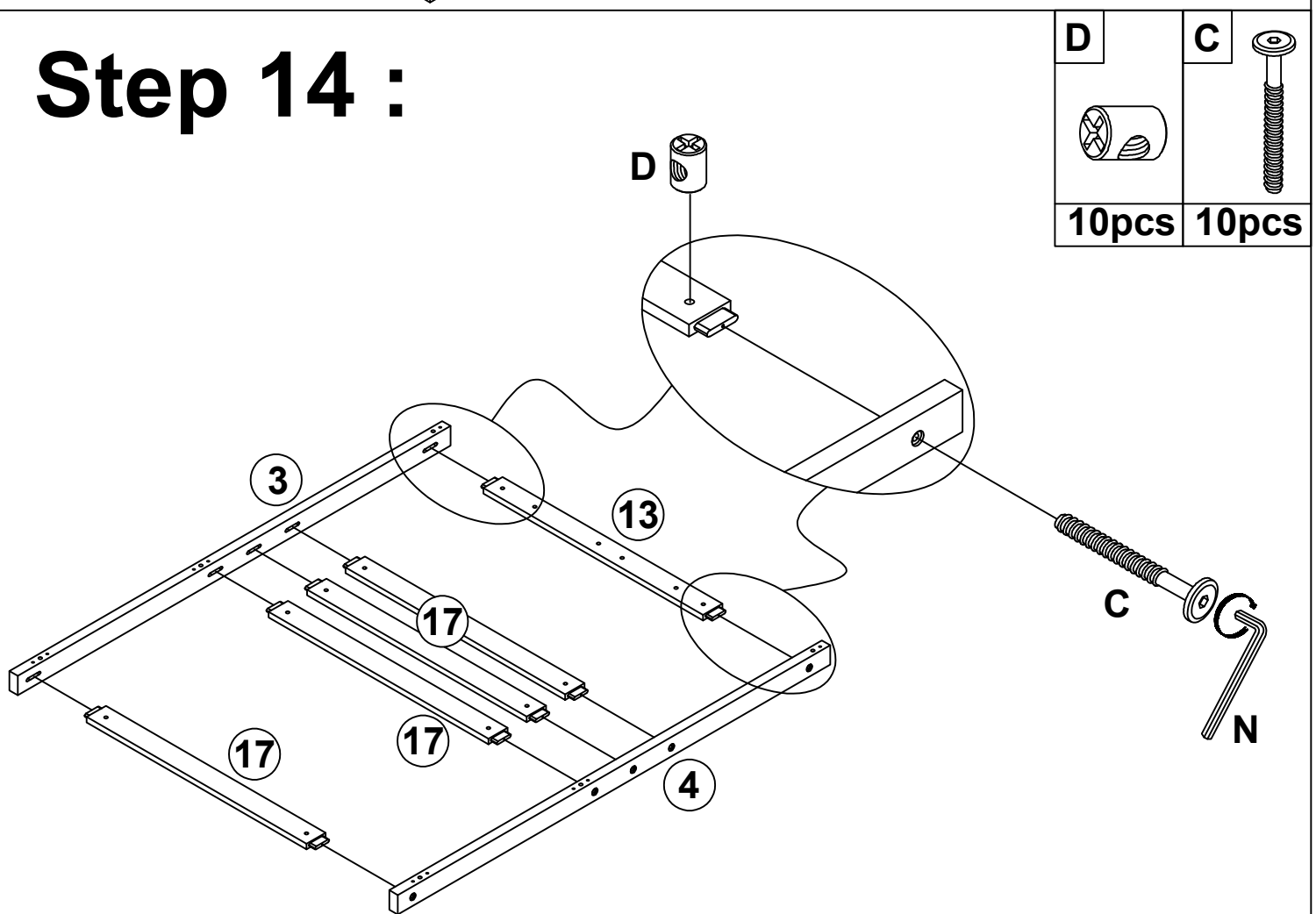
4pcs

x2

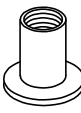

Step 13 :

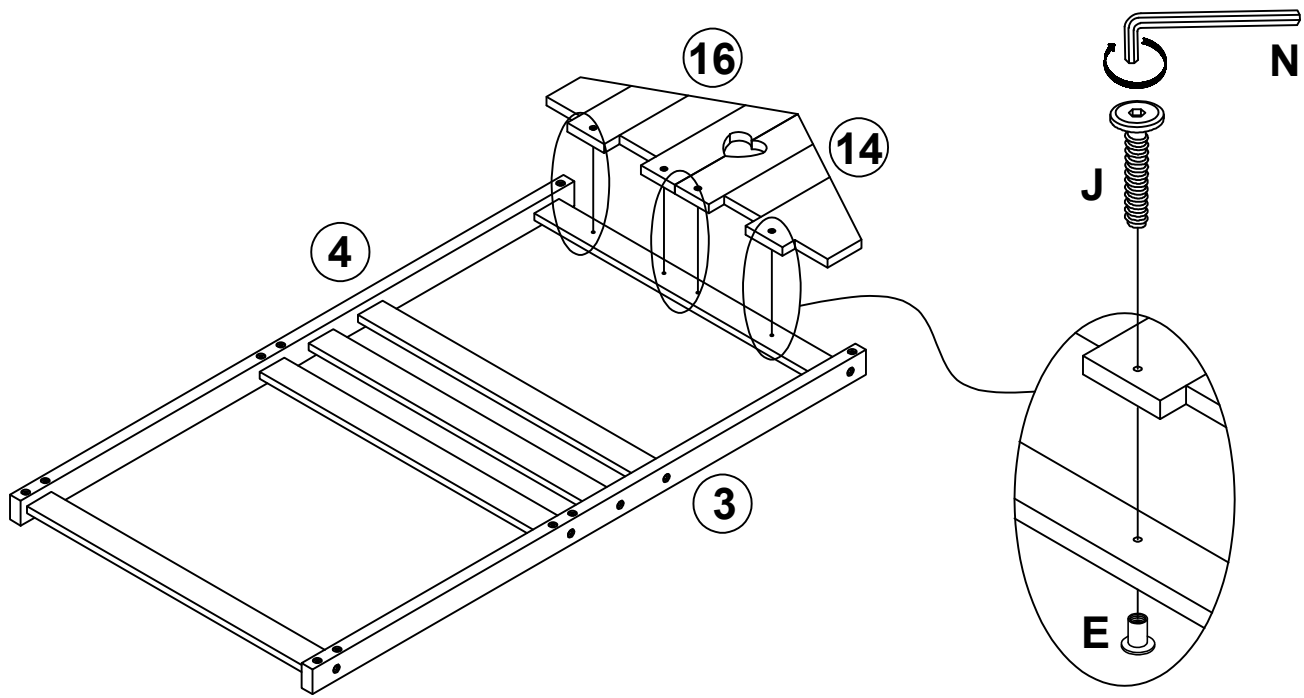


Step 14 :

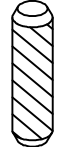
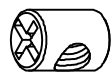



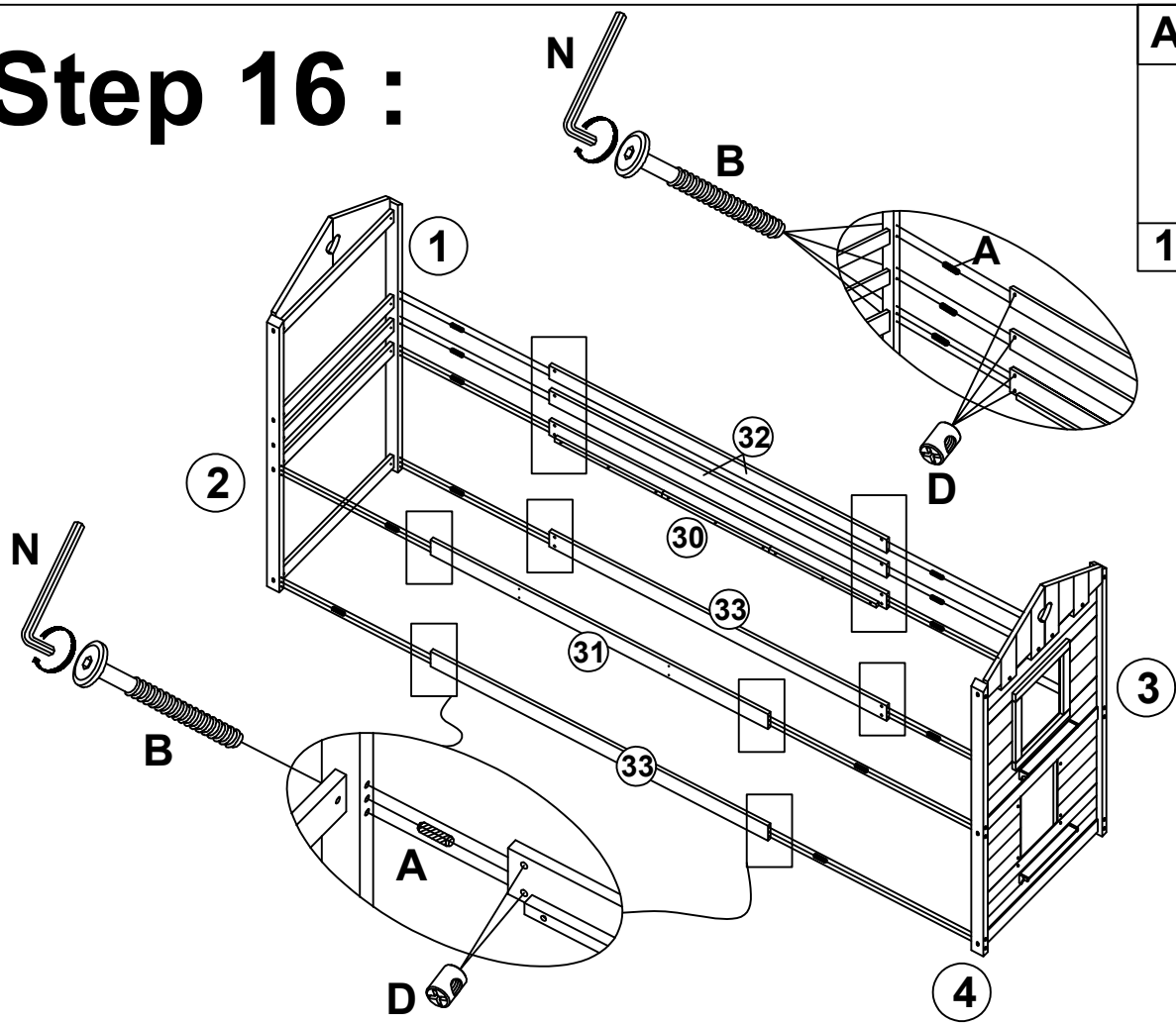
Step 15 :

E		J	
4pcs		4pcs	

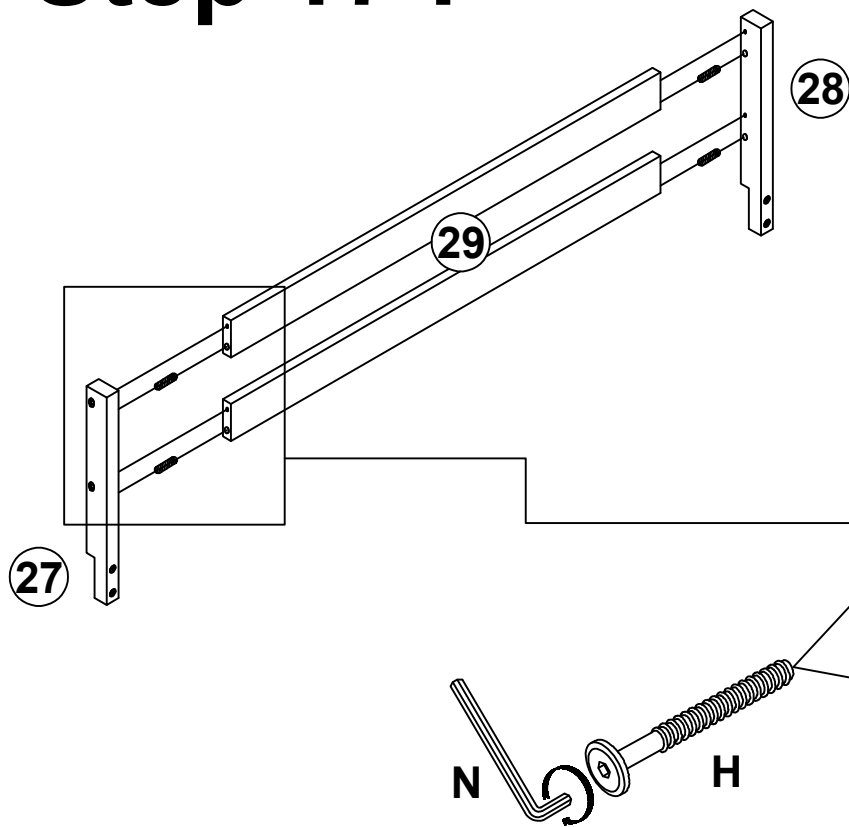


Step 16 :

A		D	
12pcs		20pcs	
		B	
		20pcs	

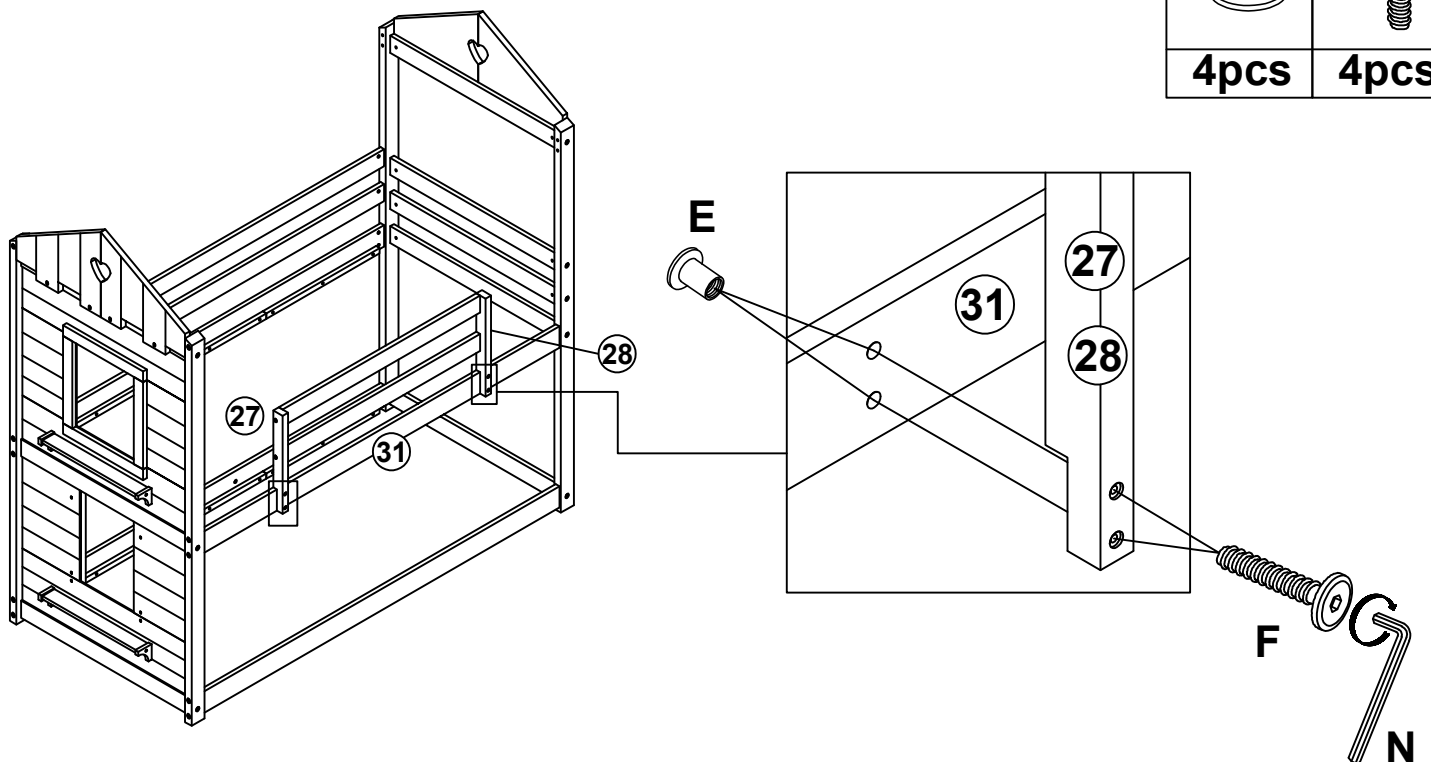


Step 17 :



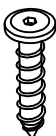
A	D
4pcs	4pcs
H	
4pcs	

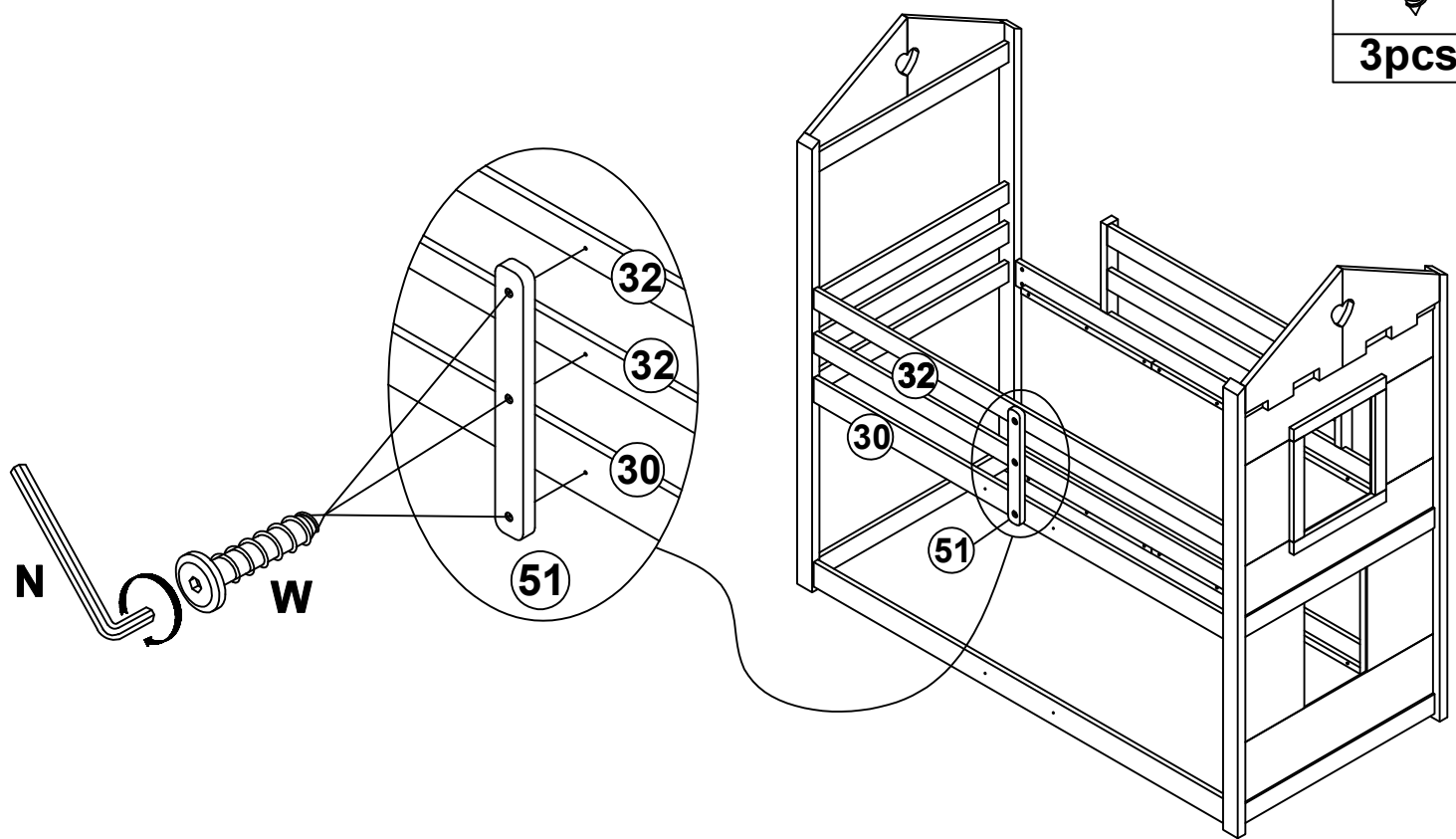
Step 18 :




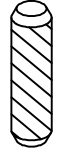
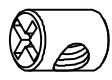

E	F
4pcs	4pcs

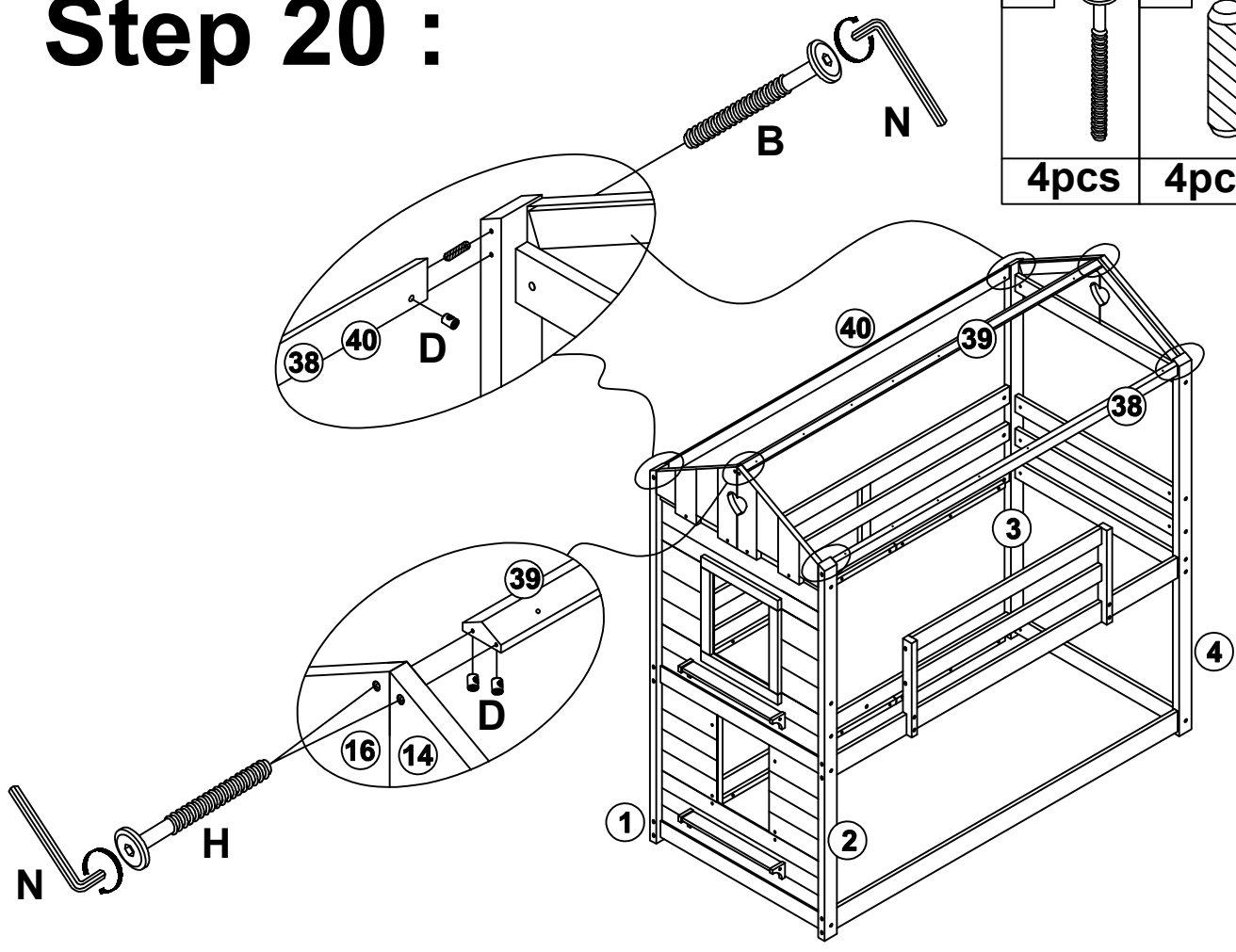
Step 19 :

W

3pcs

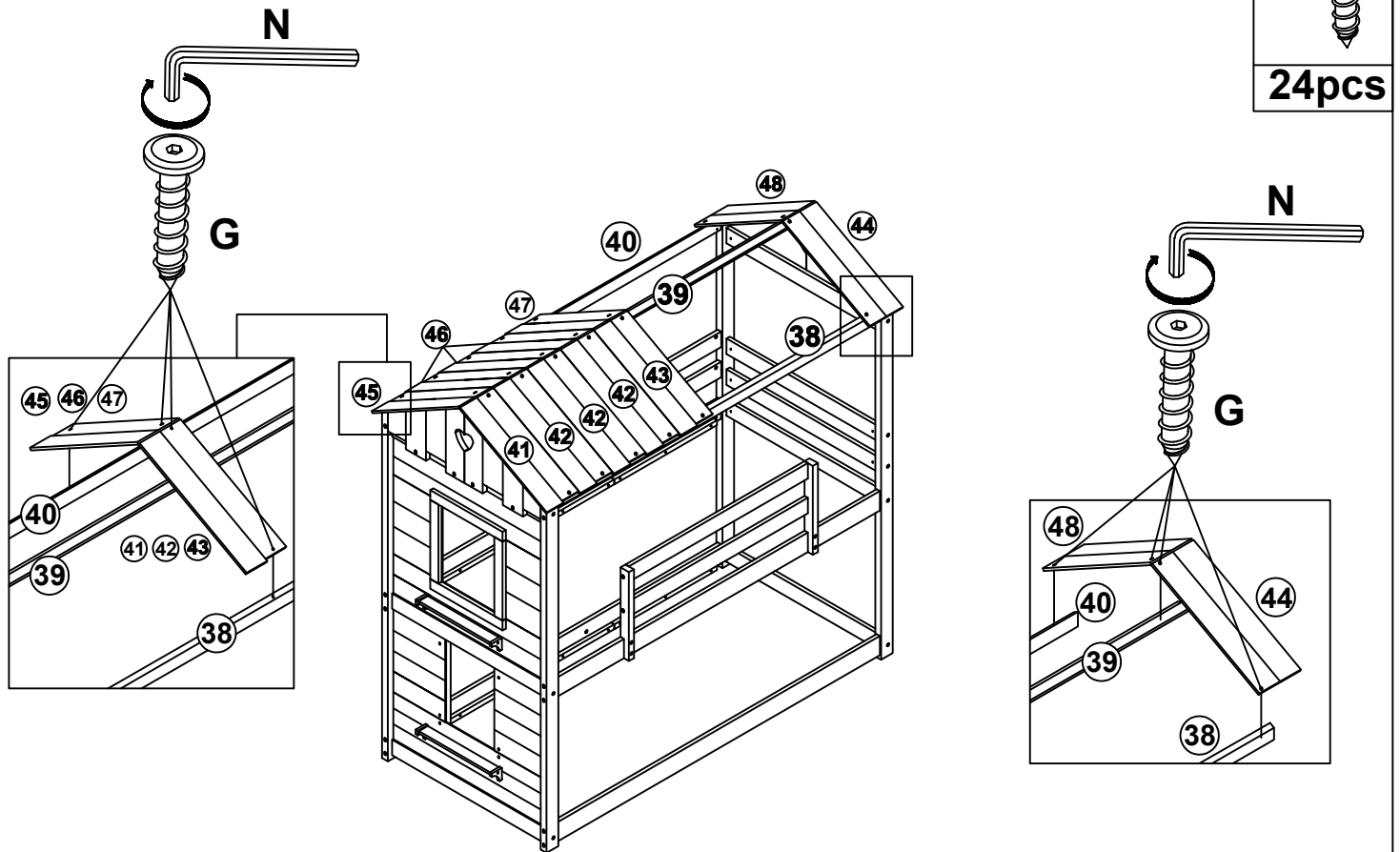


Step 20 :

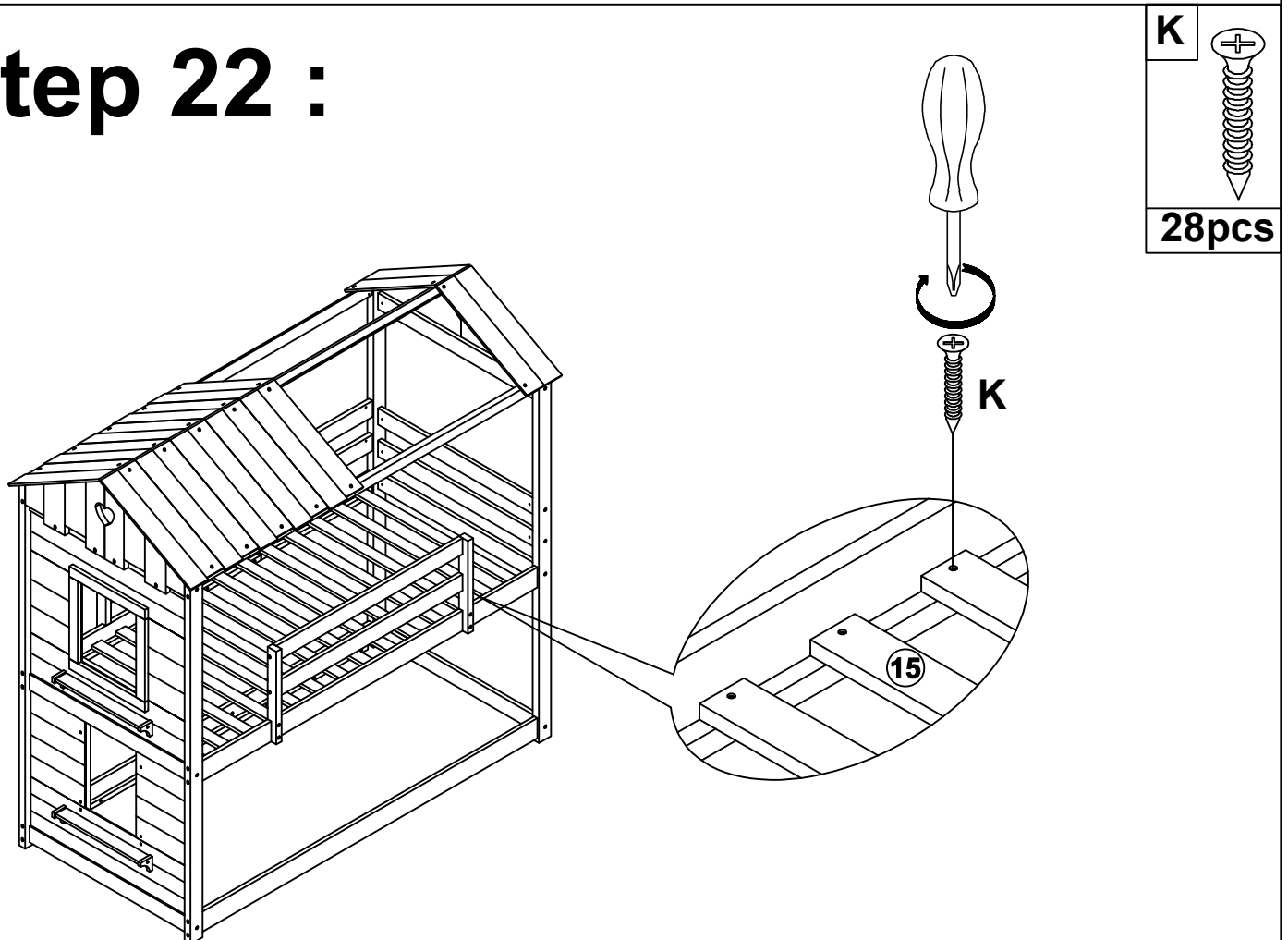
B		A		D	
4pcs		4pcs		8pcs	
H					
					
4pcs					




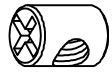

Step 21 :

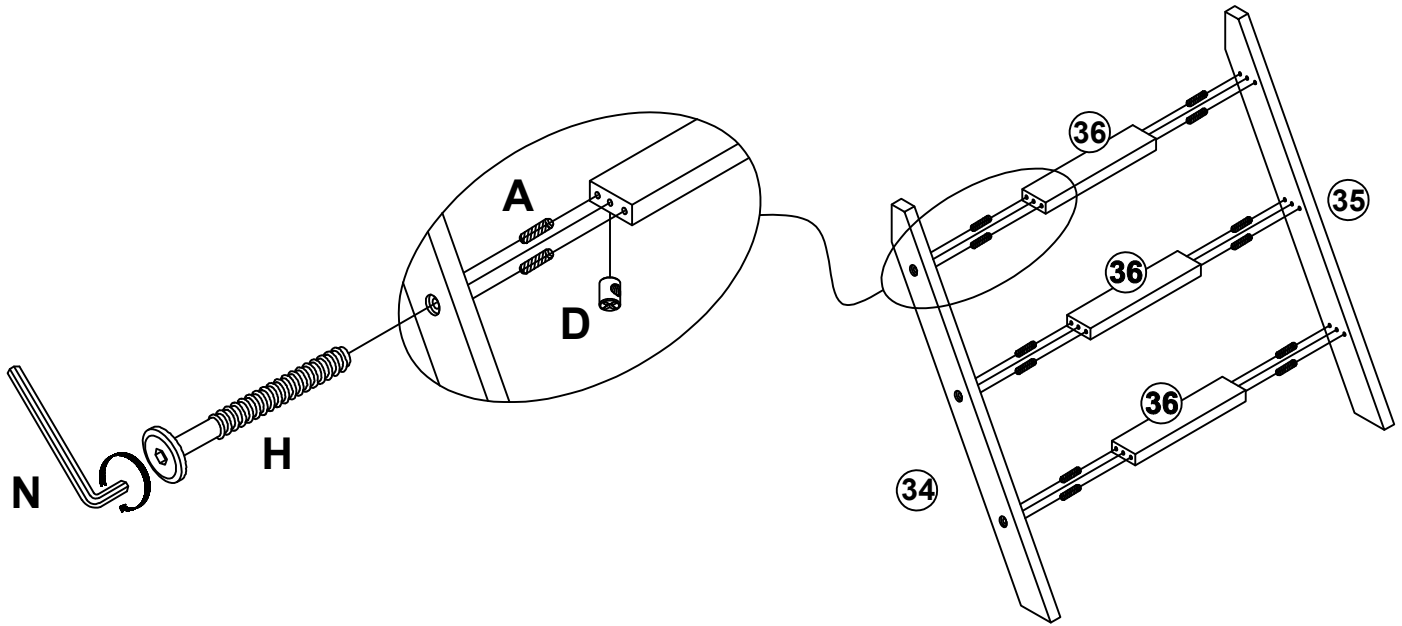


Step 22 :


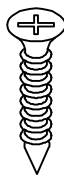
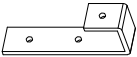


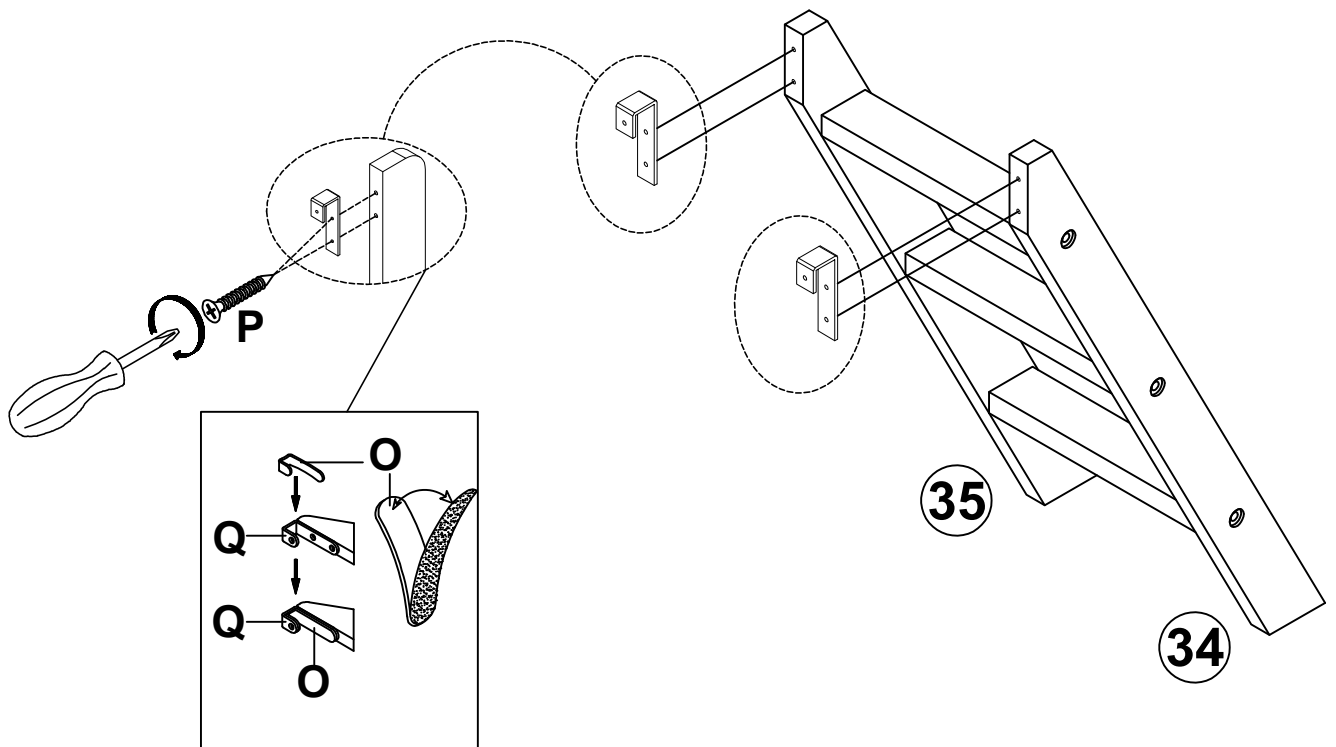
Step 23 :

H		D		A	
6pcs		6pcs		12pcs	

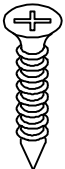


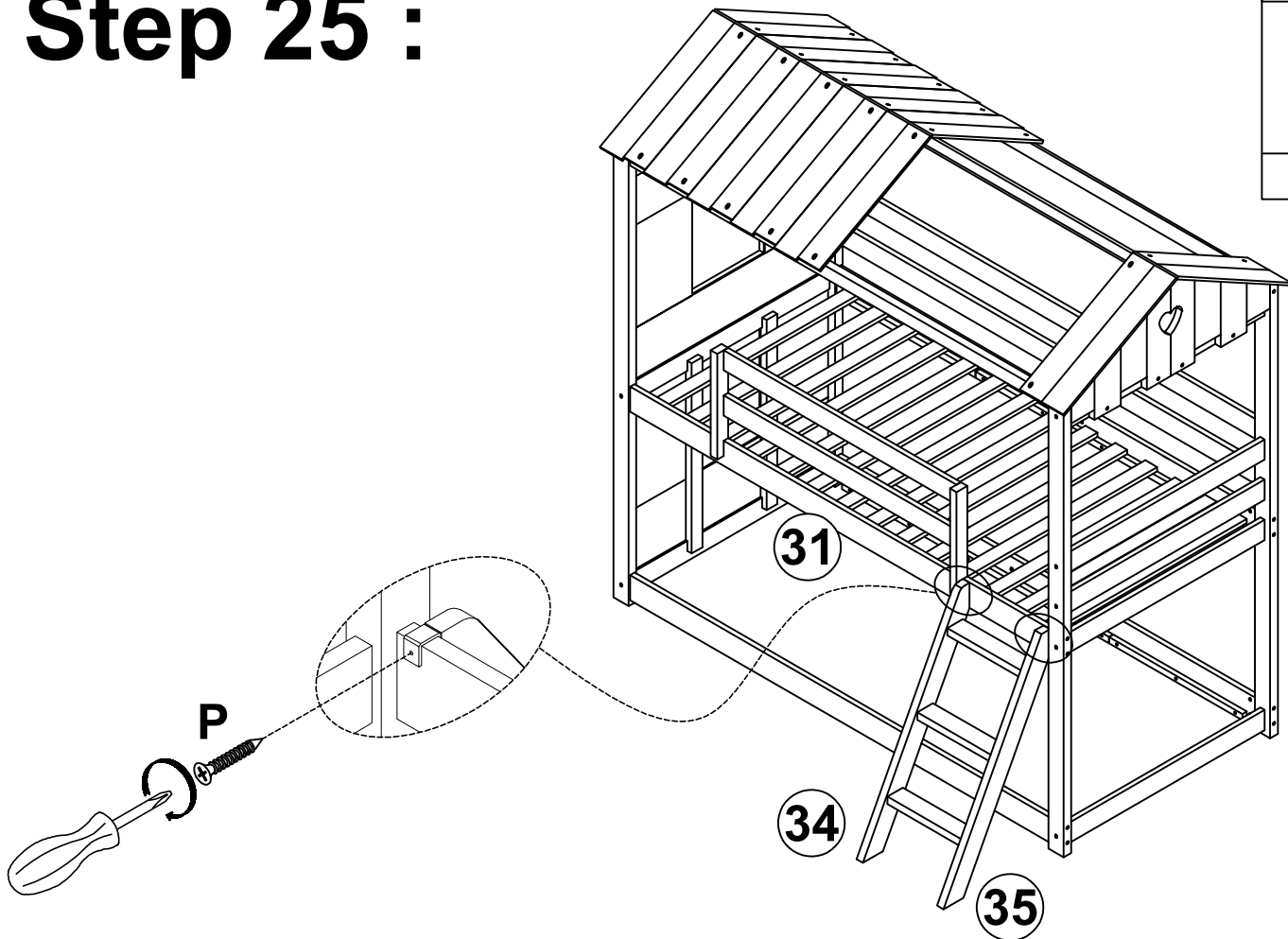
Step 24 :

O		P		Q	
2pcs		4pcs		2pcs	

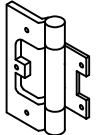



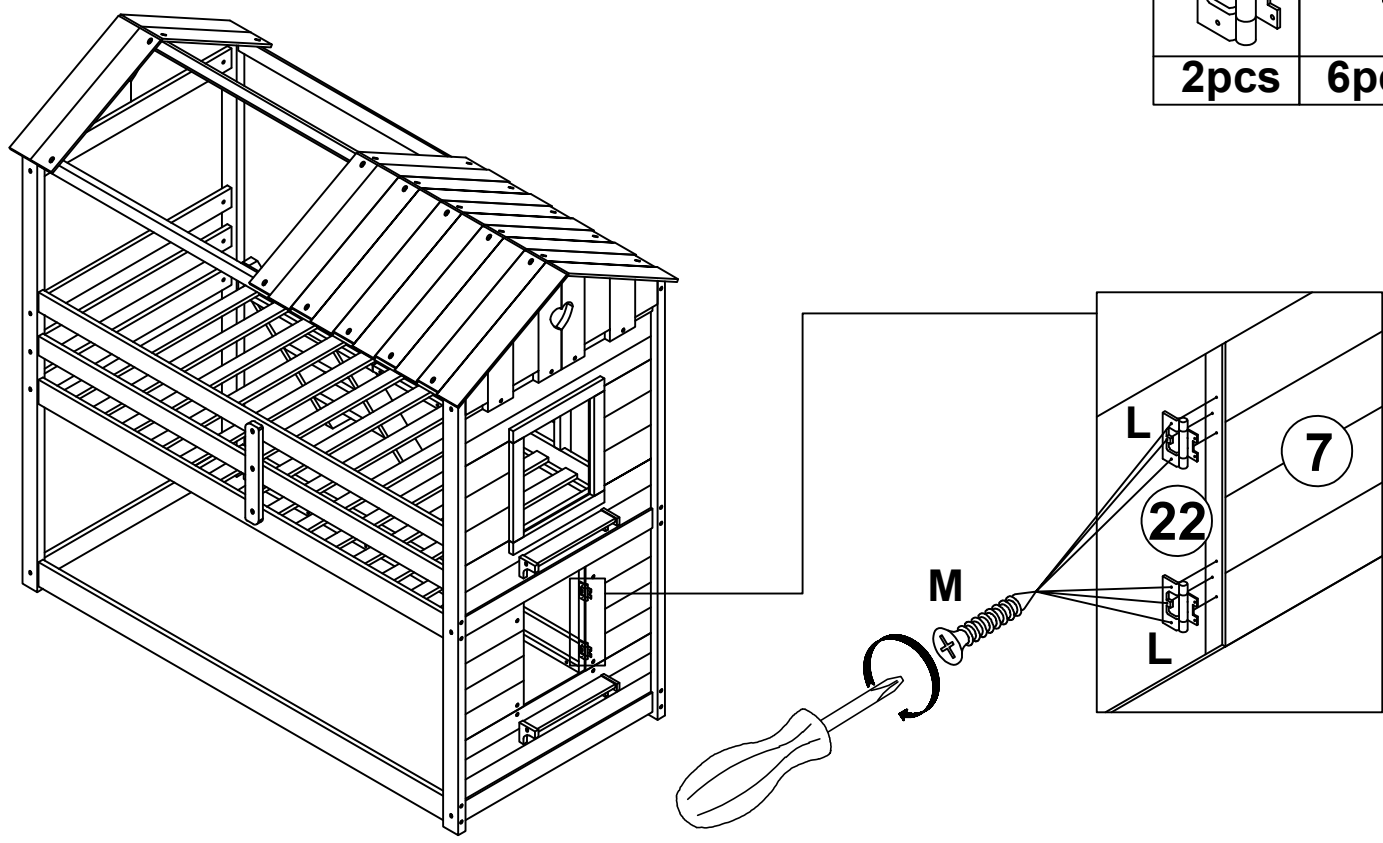
Step 25 :

P	
2pcs	




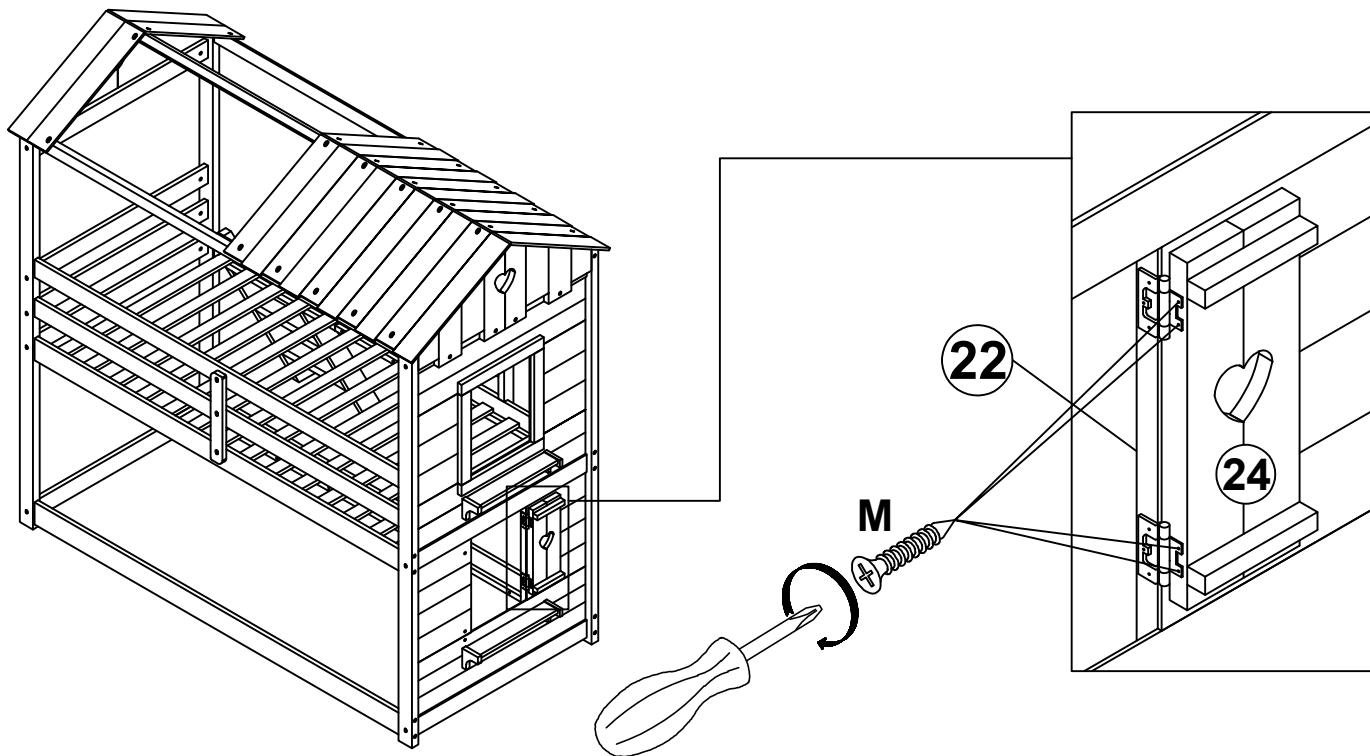
Step 26 :

L	M
	
2pcs	6pcs

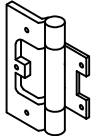
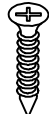


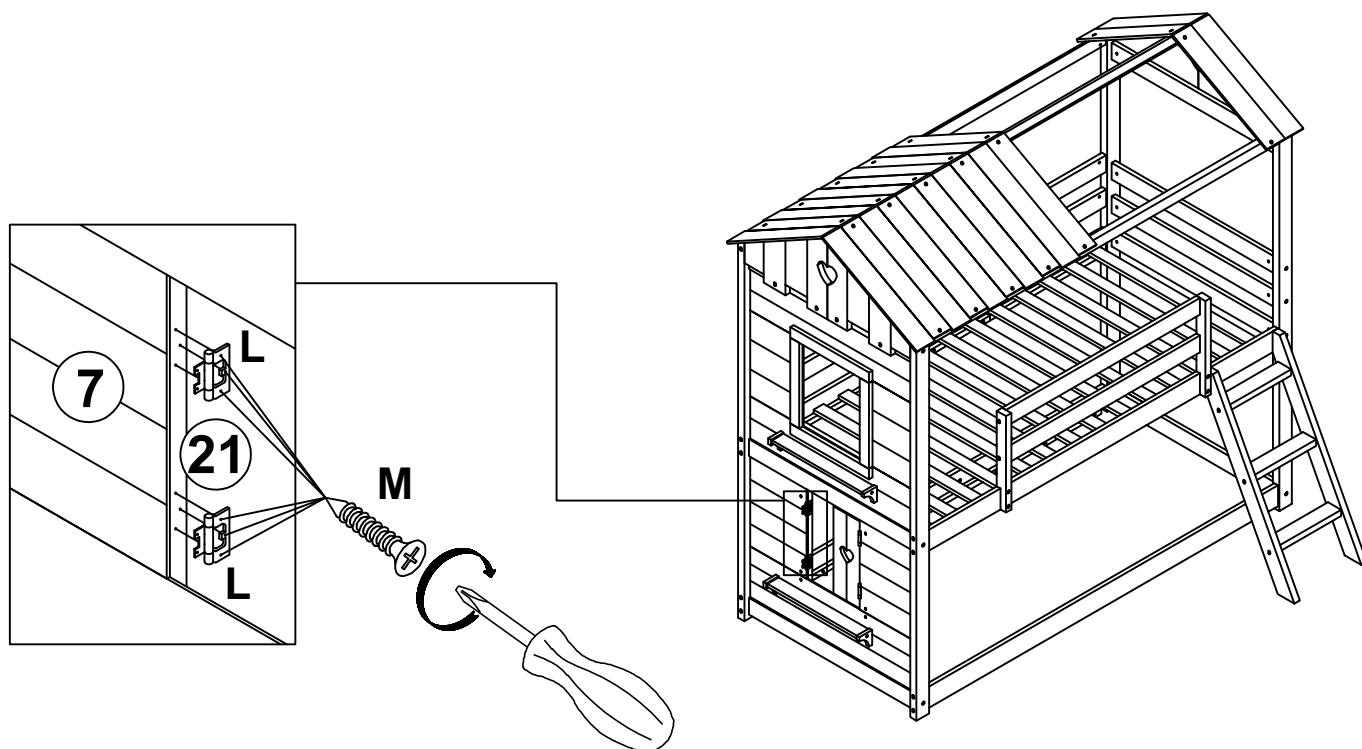
Step 27 :

M

4pcs



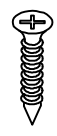
Step 28 :

L	M
	
2pcs	6pcs

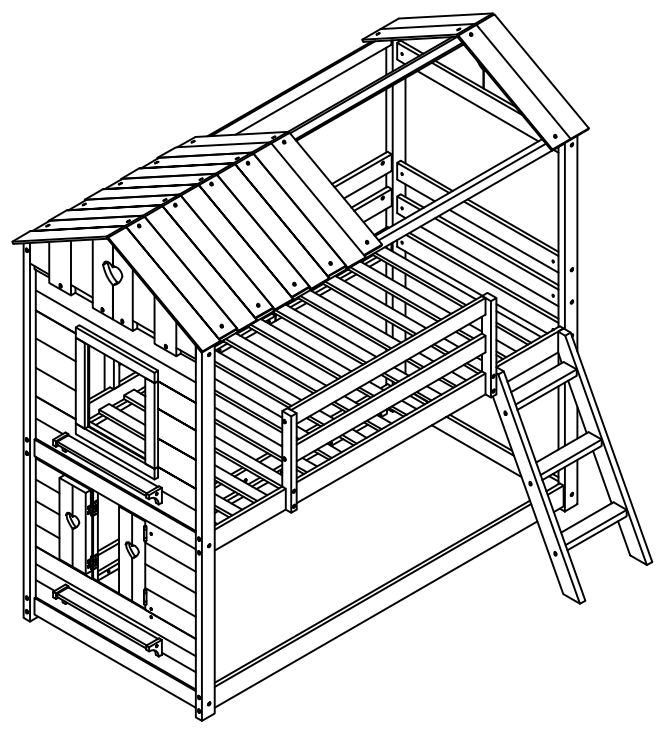
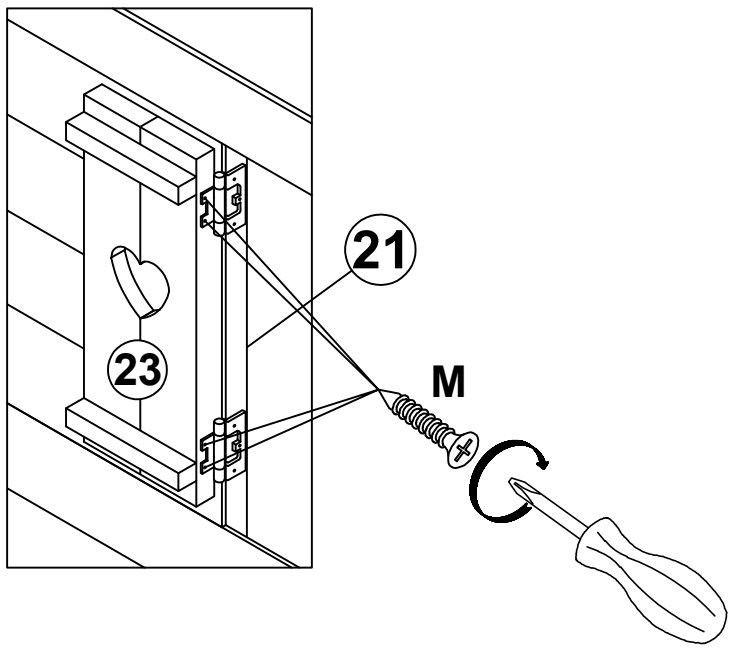


Step 29 :

M



4pcs

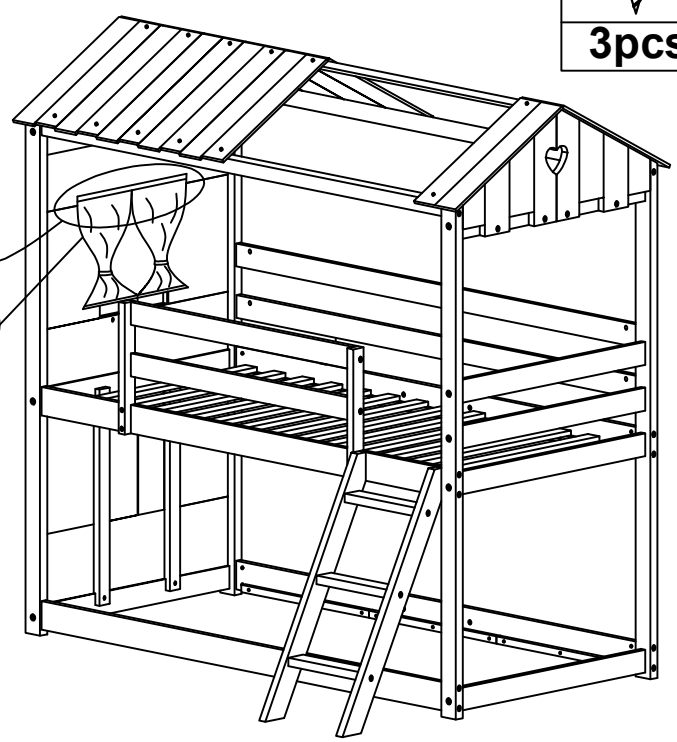
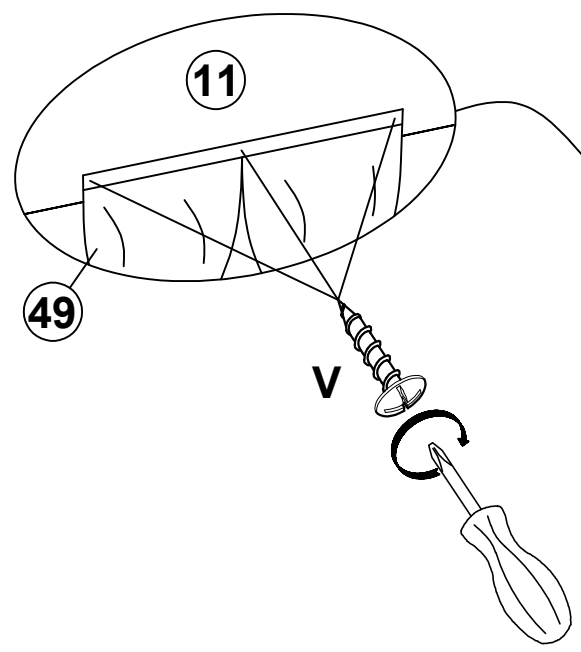


Step 30 :

V

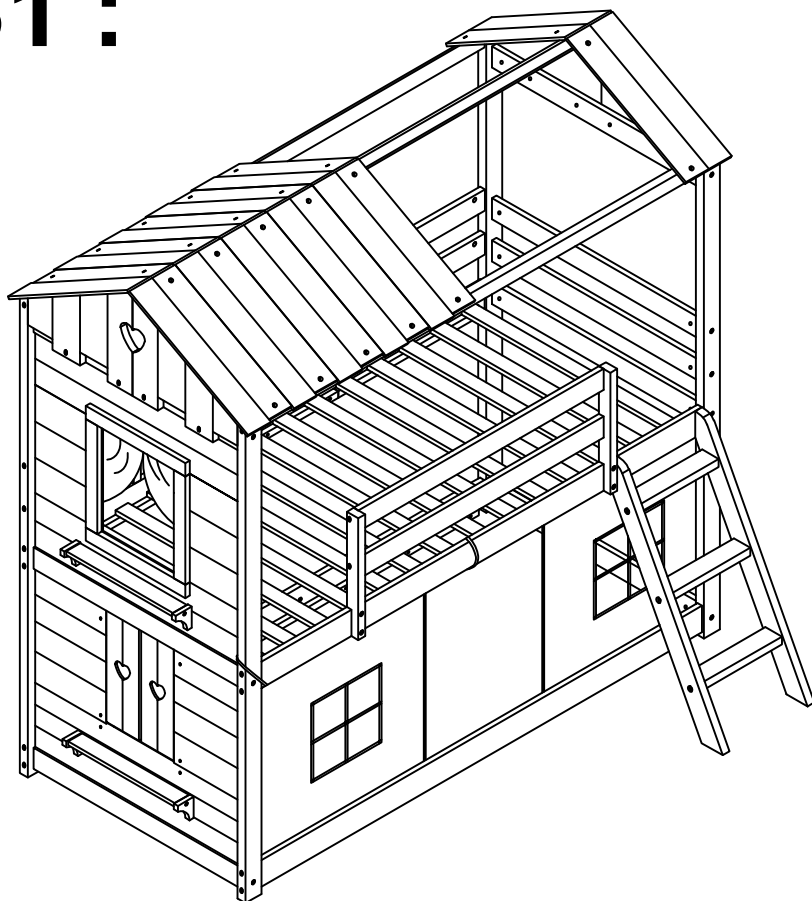


3pcs



Note: Divide both sides evenly and then use hardware (M) to fix it with panel (11).

Step 31 :



Note: Divide the two sides evenly, then use a tie to fix them.

COMPLETED

