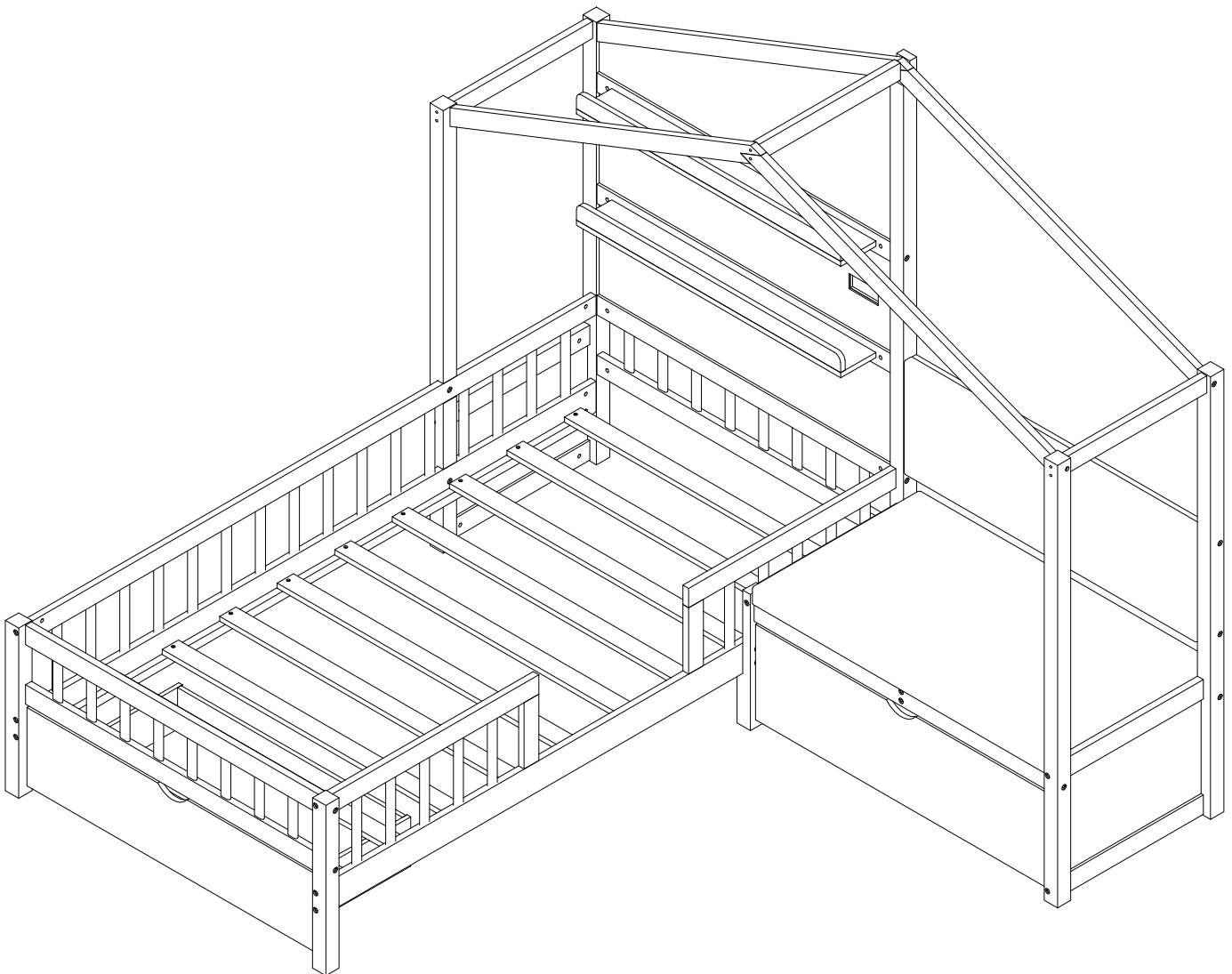


ASSEMBLY INSTRUCTION

SKU CODE: (WF324061-WF324062)

This set is included 2 boxes if don't receive full 2 boxes please contact our customer service team



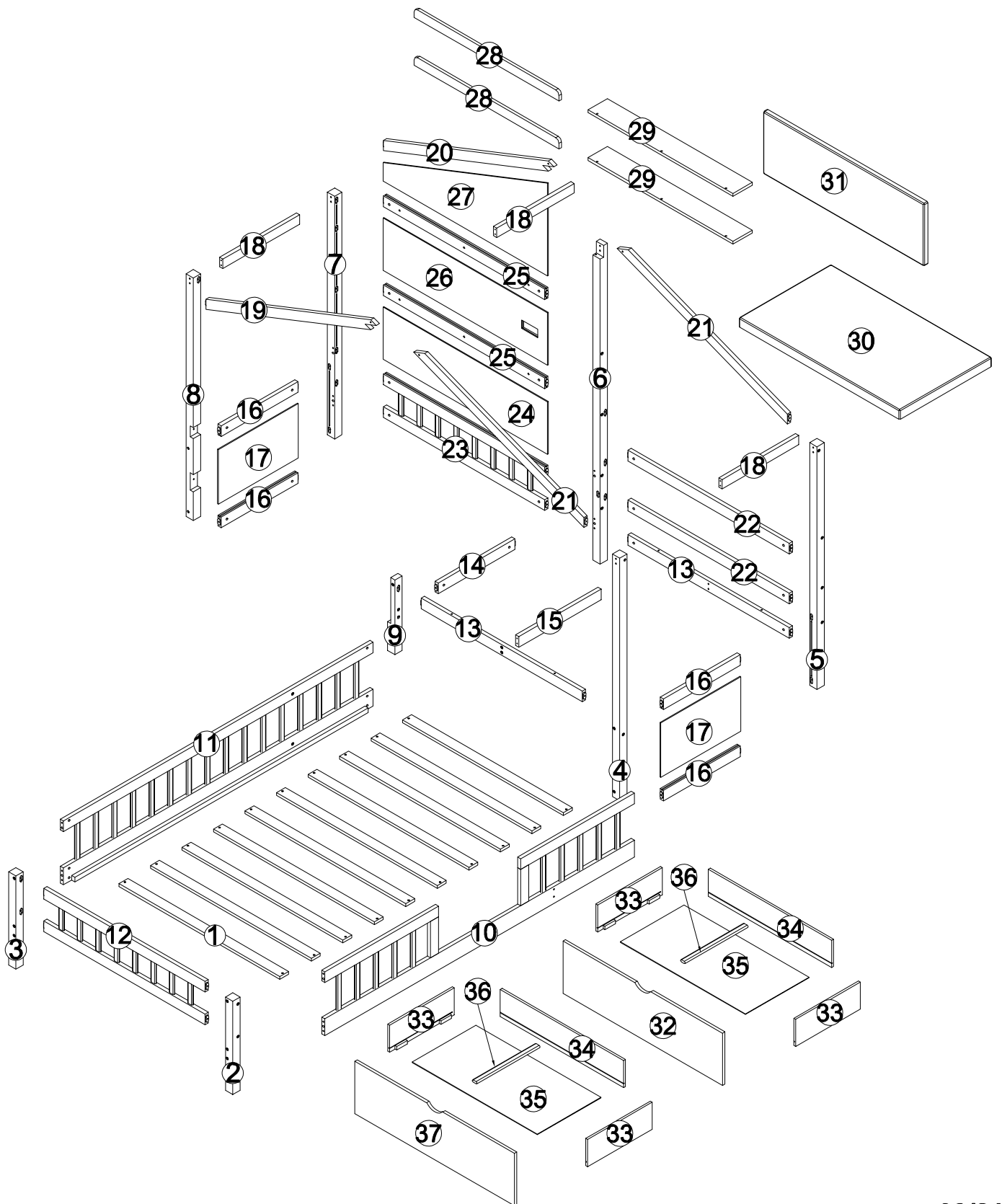
SAFETY WARNINGS AND GENERAL NOTES:

1. Do not use substitute parts. Contact the manufacturer or dealer for replacement parts.
2. Keep these instructions for future reference.
3. We recommend assembling your bed on the shipping carton to protect your floor or carpet.
4. Be certain all staples are out of the box before beginning assembly on the shipping carton.







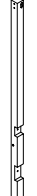

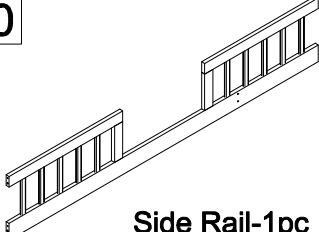
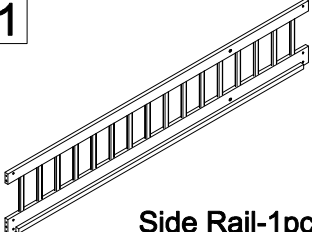
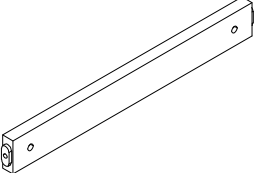
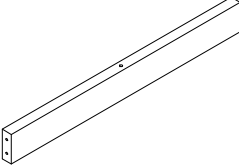
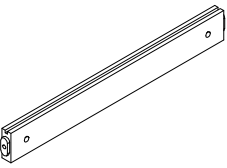
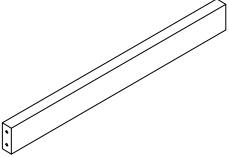
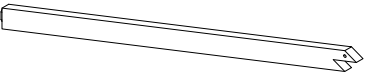
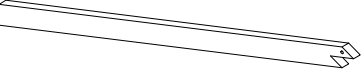

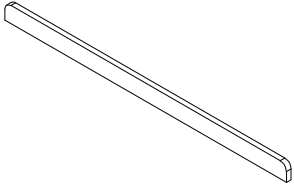
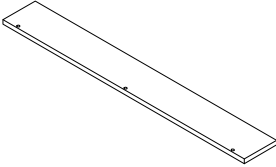
5.Replacement Parts:

Replacement Parts, including additional guardrails, may be obtained from any of our (GIGACLOUD TECHNOLOGY (USA) INC.) dealers

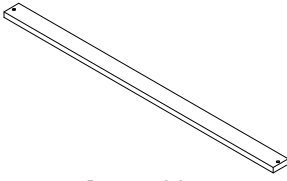
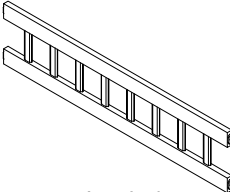
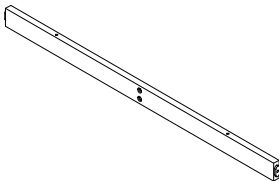
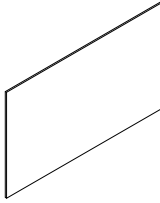
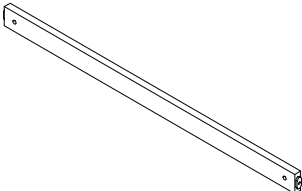
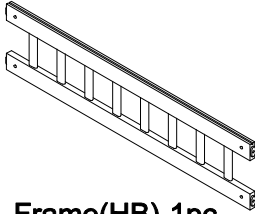
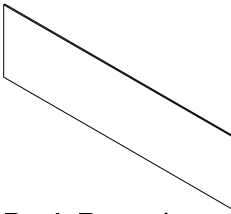
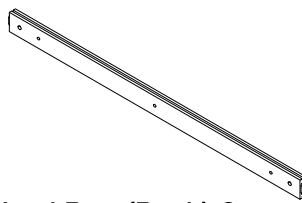
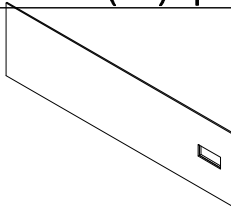
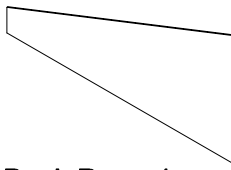
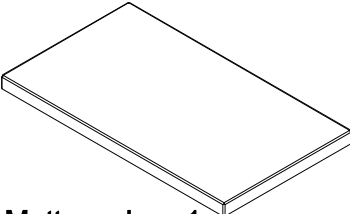
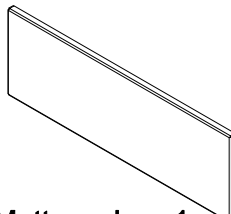
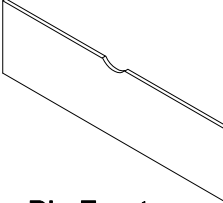
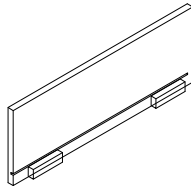
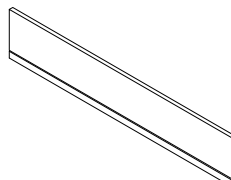
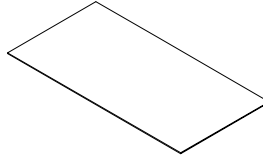
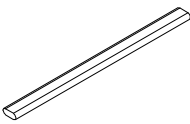
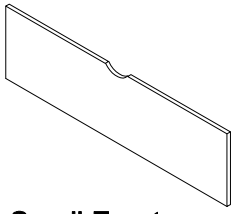
ASSEMBLY INSTRUCTION




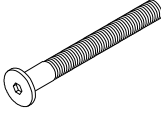

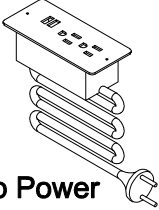



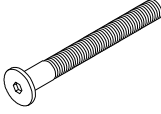
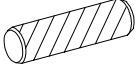



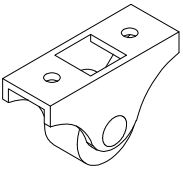
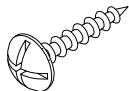

Part List & Hardware List (Box 1-WF324061)

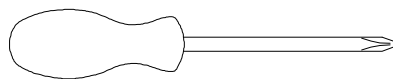
<p>2</p>  <p>Leg-1pc</p>	<p>3</p>  <p>Leg-1pc</p>	<p>4</p>  <p>Leg-1pc</p>
<p>5</p>  <p>Leg-1pc</p>	<p>6</p>  <p>Leg-1pc</p>	<p>7</p>  <p>Leg-1pc</p>
<p>8</p>  <p>Leg-1pc</p>	<p>9</p>  <p>Leg-1pc</p>	<p>10</p>  <p>Side Rail-1pc</p>
<p>11</p>  <p>Side Rail-1pc</p>	<p>14</p>  <p>Horizontal Bar-1pc</p>	<p>15</p>  <p>Horizontal Bar-1pc</p>
<p>16</p>  <p>Horizontal Bars-4pcs</p>	<p>18</p>  <p>Roof Top Bars-3pcs</p>	<p>19</p>  <p>Roof Top Bar-1pc</p>
<p>20</p>  <p>Roof Top Bar-1pc</p>	<p>21</p>  <p>Roof Top Bars-2pcs</p>	<p>28</p>  <p>Panels-2pcs</p>
<p>29</p>  <p>Panels-2pcs</p>		

Part List (Box 2-WF324062)

<p>1</p>  <p>Slats-10pcs</p>	<p>12</p>  <p>Frame(FB)-1pc</p>	<p>13</p>  <p>Horizontal Bars-2pcs</p>
<p>17</p>  <p>Panes-2pcs</p>	<p>22</p>  <p>Wood Bars(Back)-2pcs</p>	<p>23</p>  <p>Frame(HB)-1pc</p>
<p>24</p>  <p>Back Pane-1pc</p>	<p>25</p>  <p>Wood Bars(Back)-2pcs</p>	<p>26</p>  <p>Back Pane-1pc</p>
<p>27</p>  <p>Back Pane-1pc</p>	<p>30</p>  <p>Mattress bag-1pc</p>	<p>31</p>  <p>Mattress bag-1pc</p>
<p>32</p>  <p>Drawer-Big Front pane-1pc</p>	<p>33</p>  <p>Drawer-Side panes-4pcs</p>	<p>34</p>  <p>Drawer-Back panes-2pcs</p>
<p>35</p>  <p>Drawer-Bottom panes-2pcs</p>	<p>36</p>  <p>Drawer-Sup Bottom panes-2pcs</p>	<p>37</p>  <p>Drawer-Small Front pane-1pc</p>

Hardware List (Box 1-WF324061)

<p>A</p>  <p>Screws 1/4"x80mm 14pcs</p>	<p>B</p>  <p>Ø1/4" x 90 mm Hex-Head bolts 41pcs</p>	<p>C</p>  <p>Ø1/4" x 13 mm Horizontal-Hole bolts 42pcs</p>
<p>D</p>  <p>Usb Power 1Pc</p>	<p>E</p>  <p>M3.5 x 12 mm Wood Screws 2pcs</p>	<p>F</p>  <p>Ø1/4" x 35mm Hex-Head bolts 22pcs</p>
<p>G</p>  <p>Screws 1/4"x50mm 6pcs</p>	<p>H</p>  <p>Ø1/4" x 70 mm Hex-Head bolts 6pcs</p>	<p>K</p>  <p>Ø10 x 40 mm Wood dowel 8pcs</p>
<p>L</p>  <p>Ø1/4" x 15 mm Canopy head though 4pcs</p>	<p>M</p>  <p>M4 x 30 mm Wood Screws 46pcs</p>	<p>N</p>  <p>Stop Drawer-4pcs</p>
<p>P</p>  <p>Wheels 8pcs (H=28mm)</p>	<p>Q</p>  <p>M4 x15 mm Wood Screws 16pcs</p>	<p>R</p>  <p>Allen Key 1pc</p>



Assembly Tools Required (Not Included)

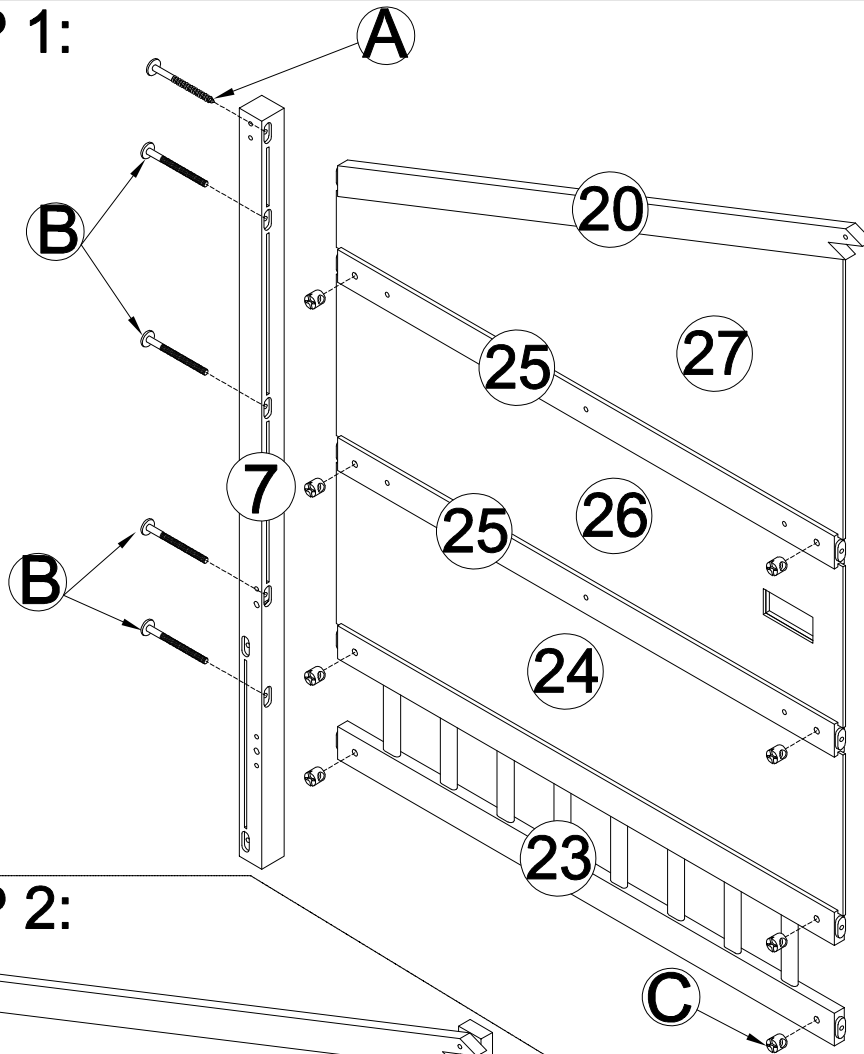
LED LIGHT BOX (Box 1-WF324061)


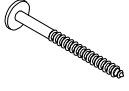
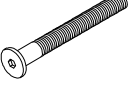
S



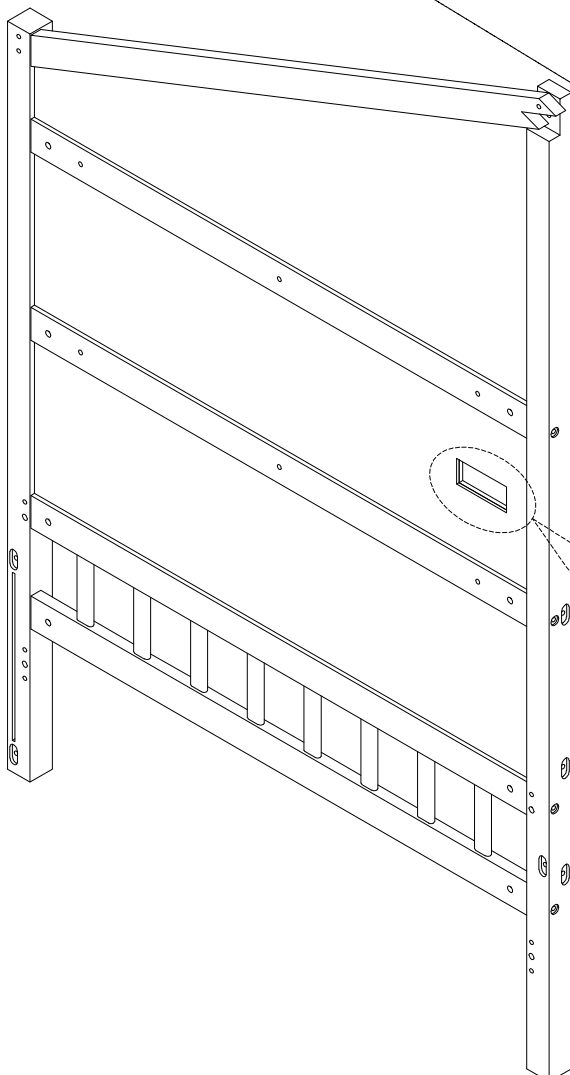
Led Light
1pc

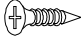
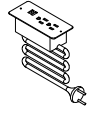
STEP 1:

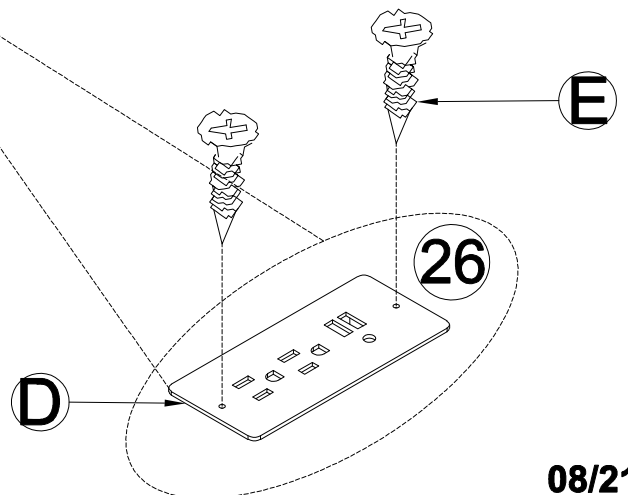


C  8pcs	A  1pc
B  8pcs	


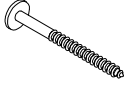
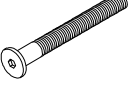
STEP 2:

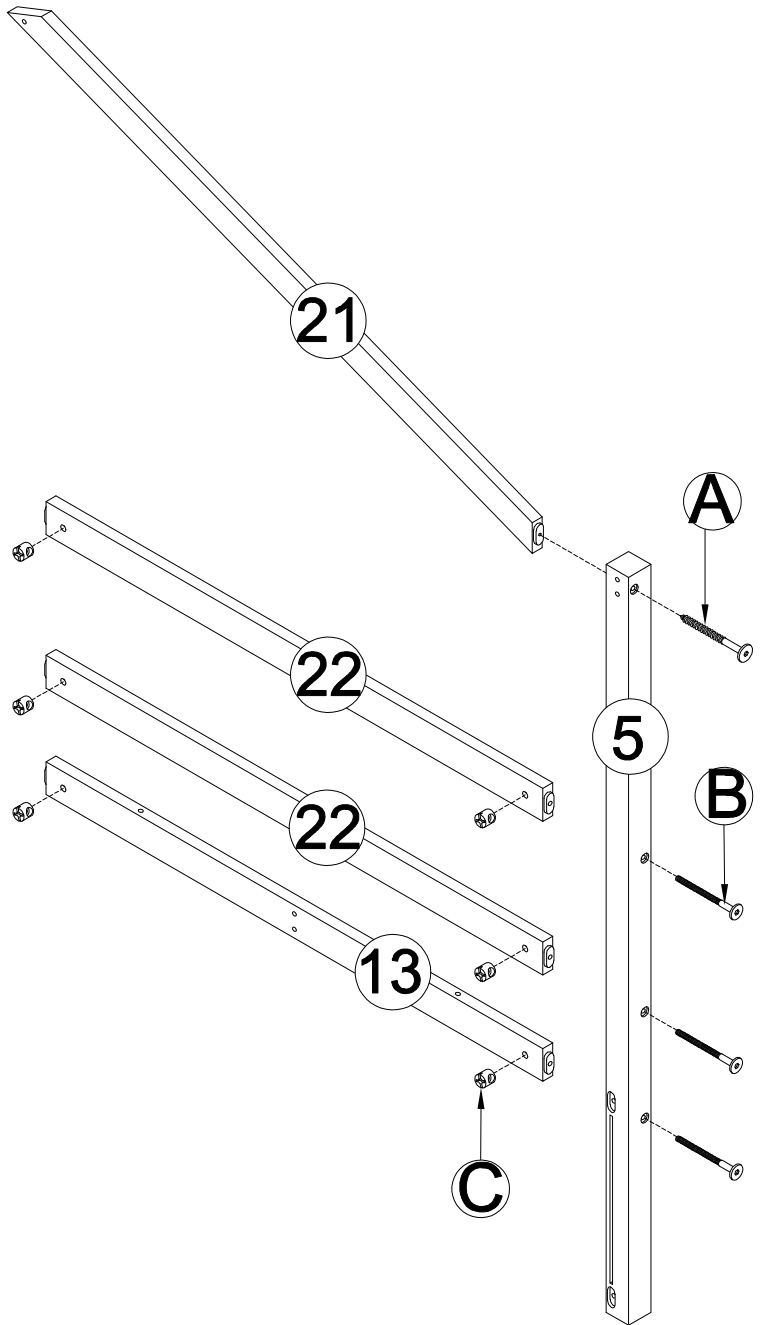
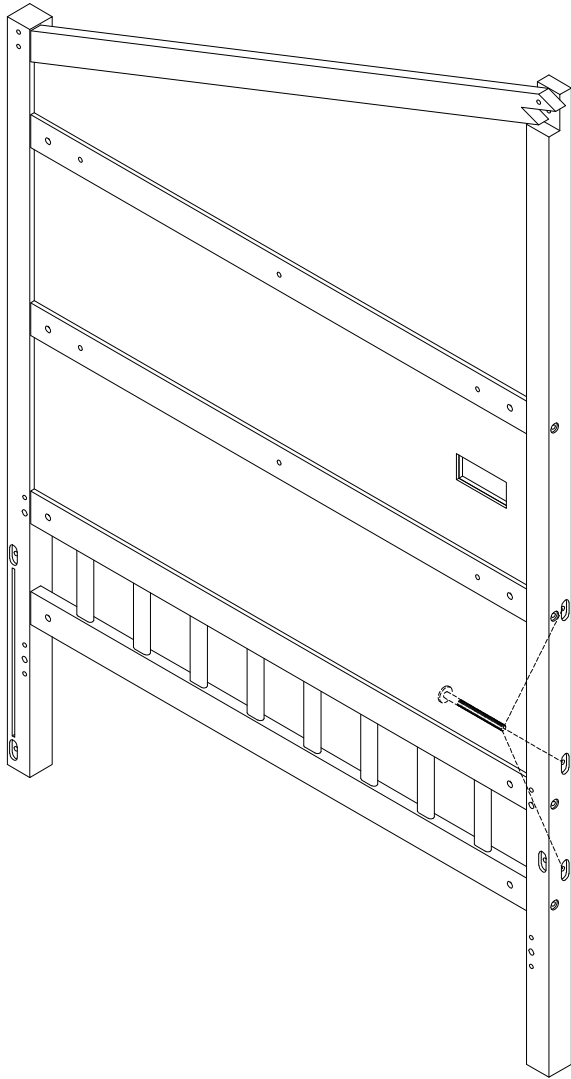


E  2pcs	D  1pc
---	--

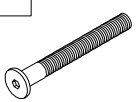


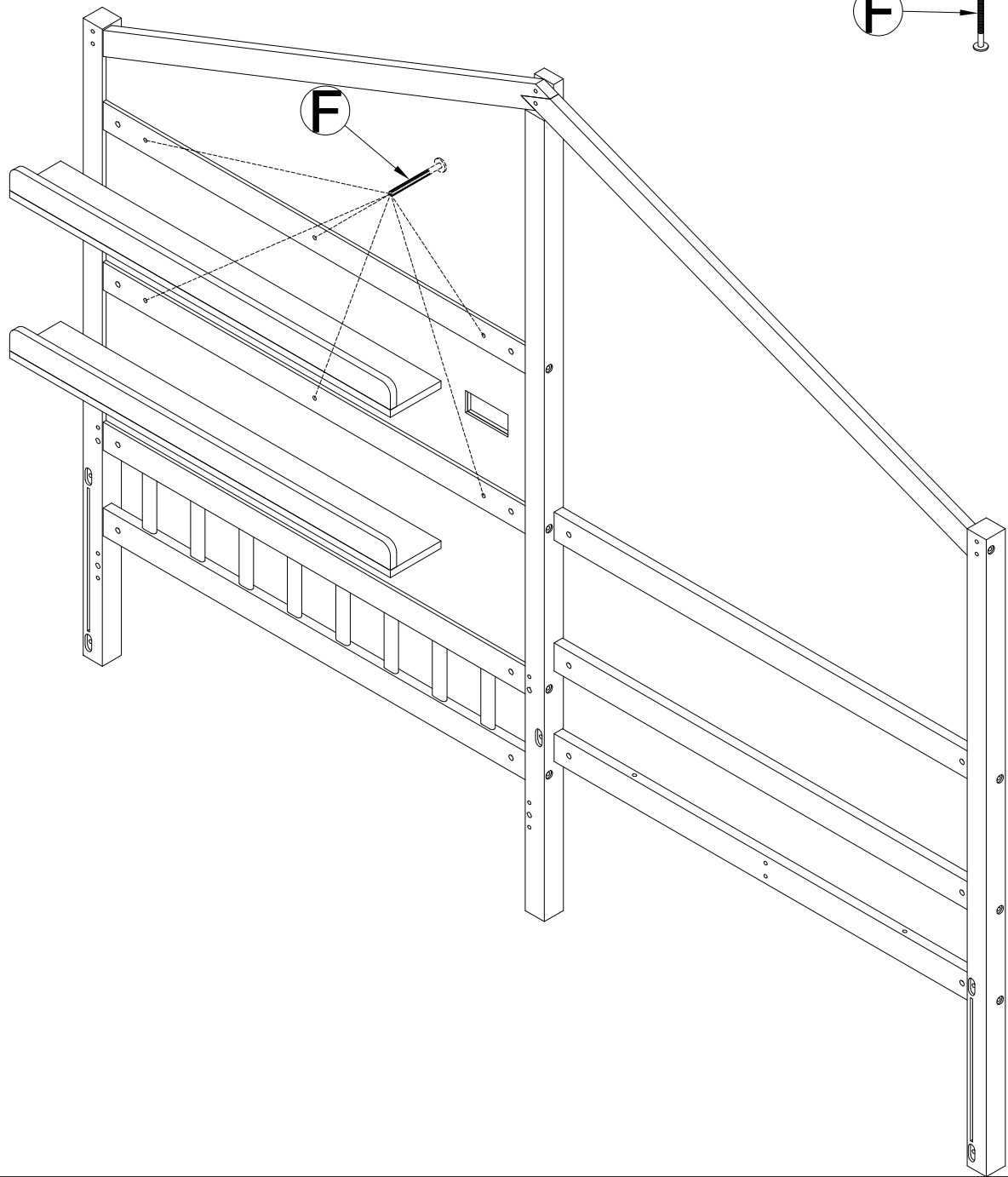
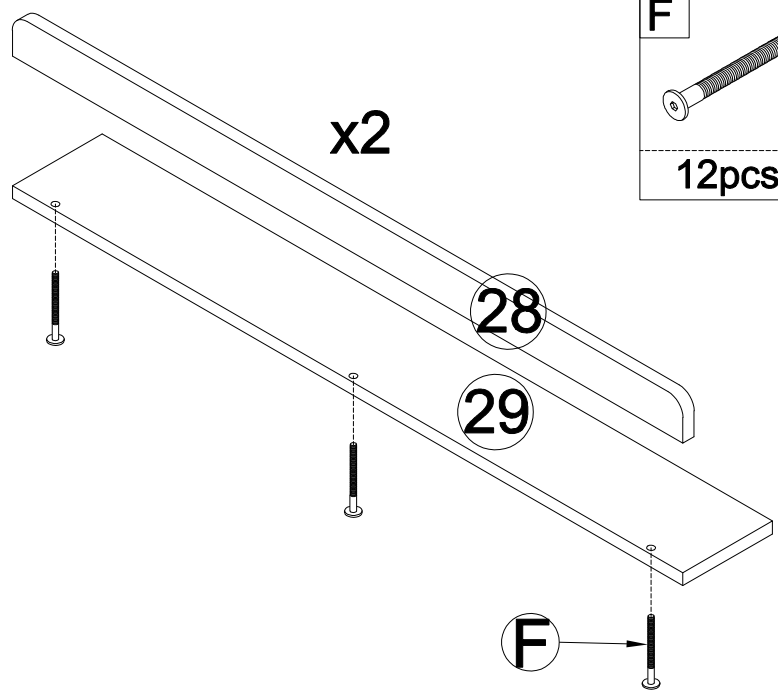
STEP 3:

C 	A 
6pcs	1pc
	B 
	6pcs



STEP 4:


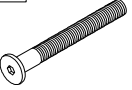
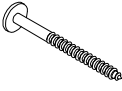

F

12pcs

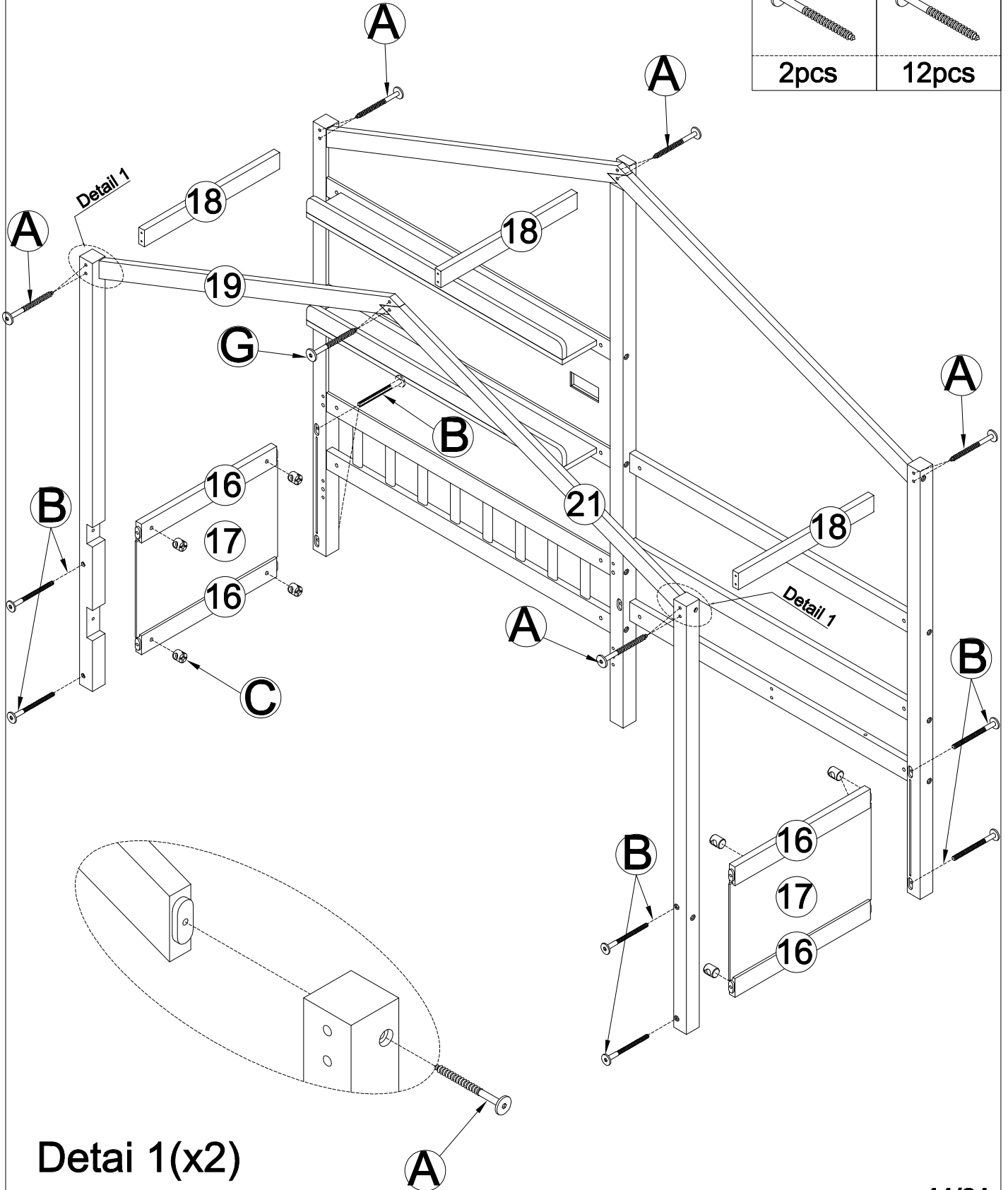


STEP 5:

-Using HW #A,#B,#C,#G to Connect Frame
 (completed in step 4) with 16(x4),18(x3),19,21 Wood bar
 and 17(x2) Panes


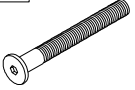
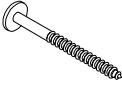
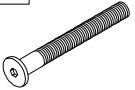
Look at detail view for more detail

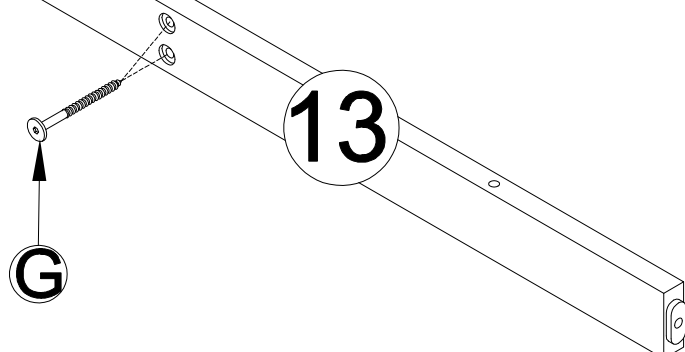
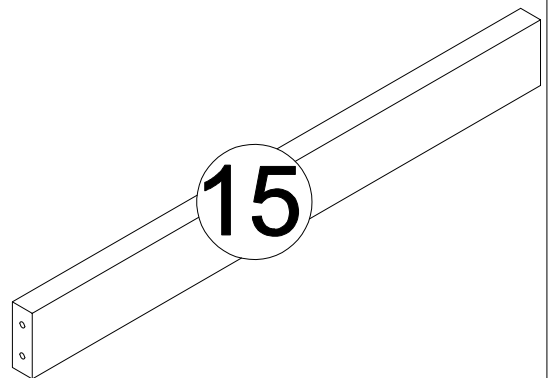
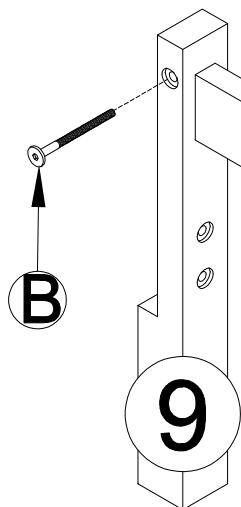
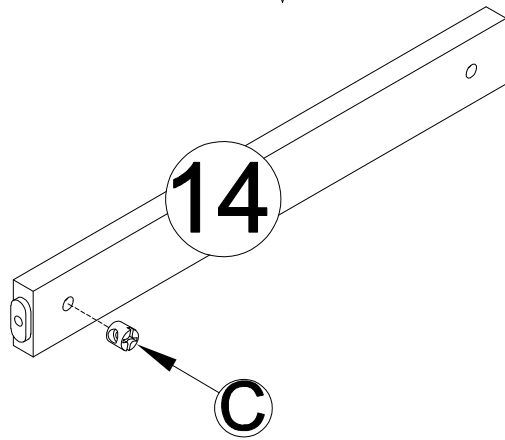
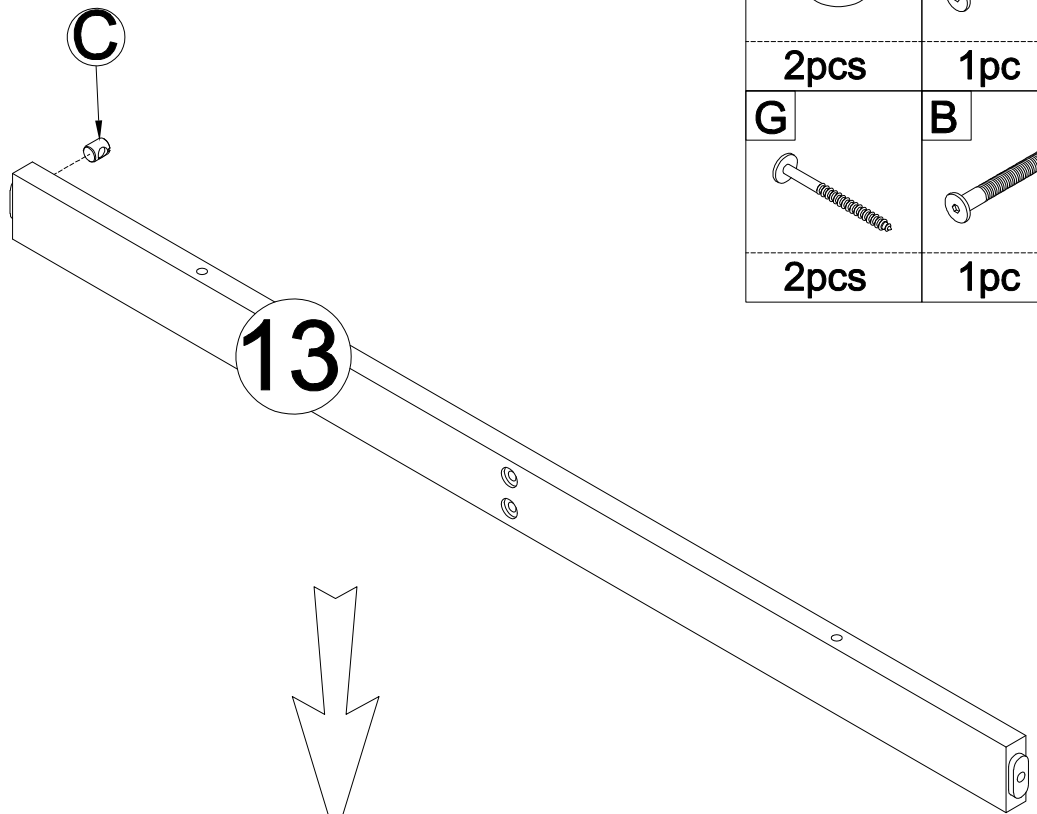
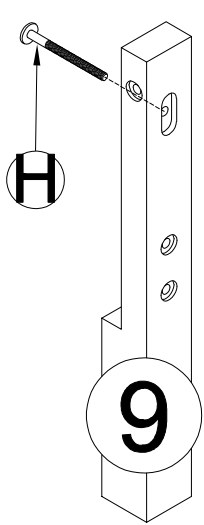
C 	B 
8pcs	8pcs
G 	A 
2pcs	12pcs



Detail 1(x2)

STEP 6:

C 	H 
2pcs	1pc
G 	B 
2pcs	1pc

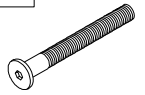


STEP 7:

-Using HW #B,#C,#G to Connect Frame (completed in step 6)
with Frame (completed in step 5)

-Look at detail view for more detail

B



2pcs

G

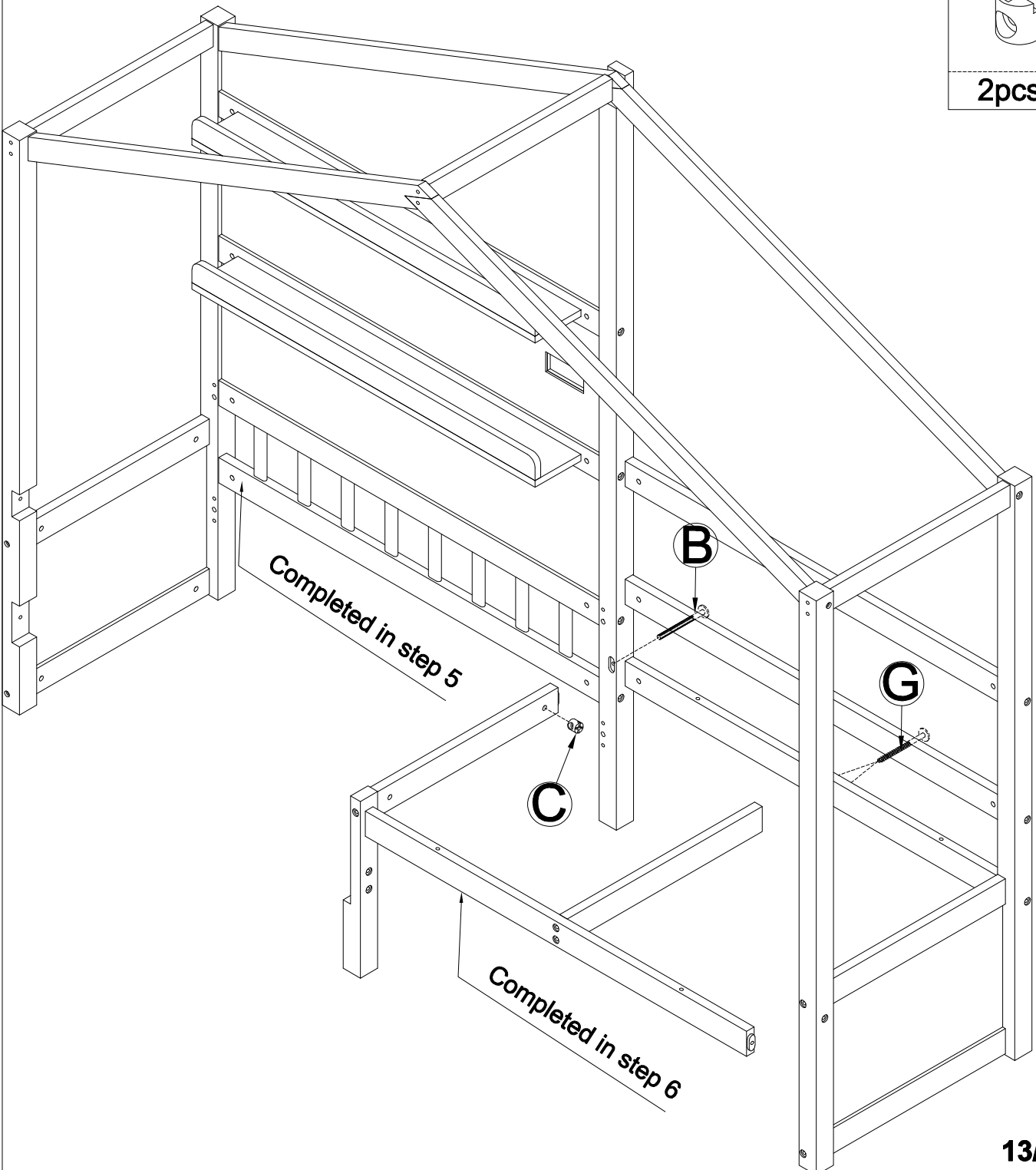


2pcs

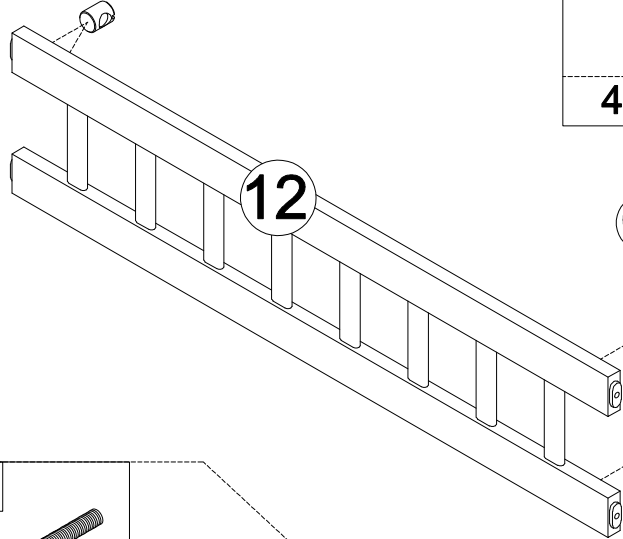
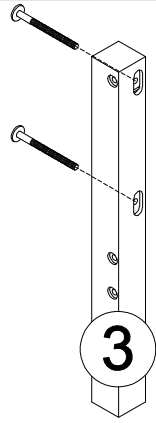
C



2pcs



STEP 8:

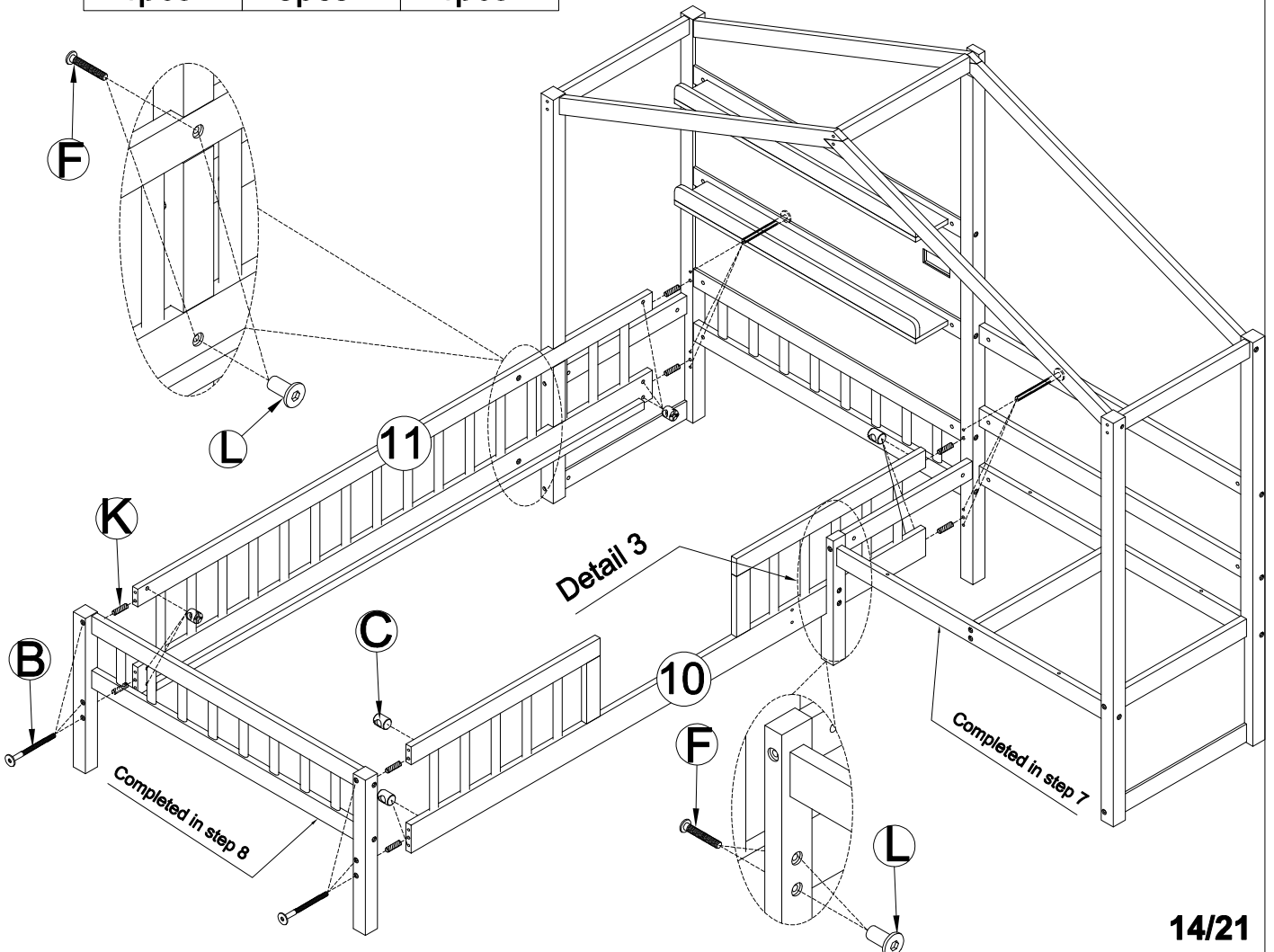
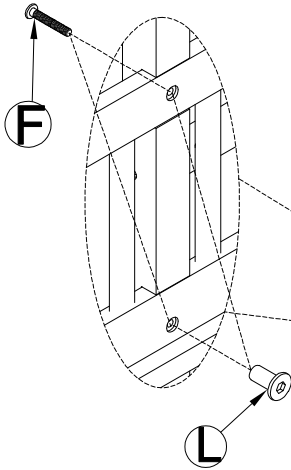


C		B	
	4pcs		4pcs


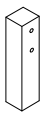


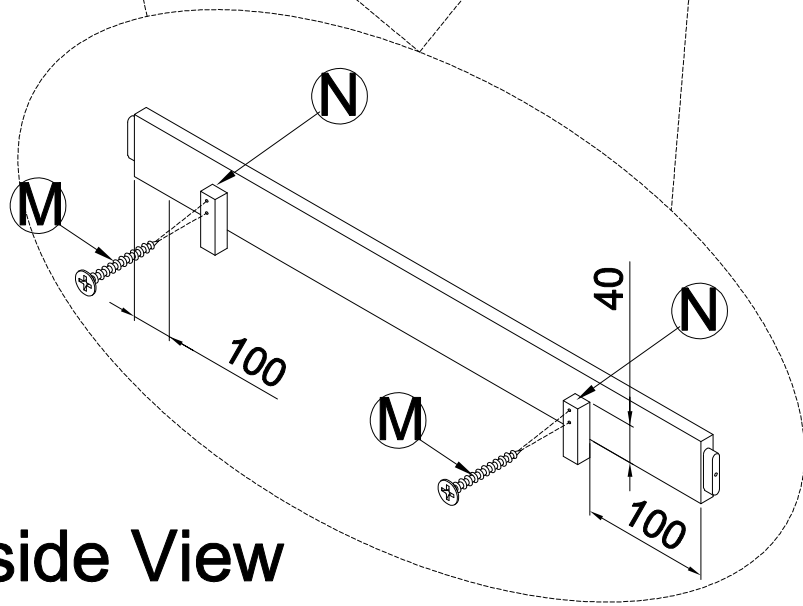
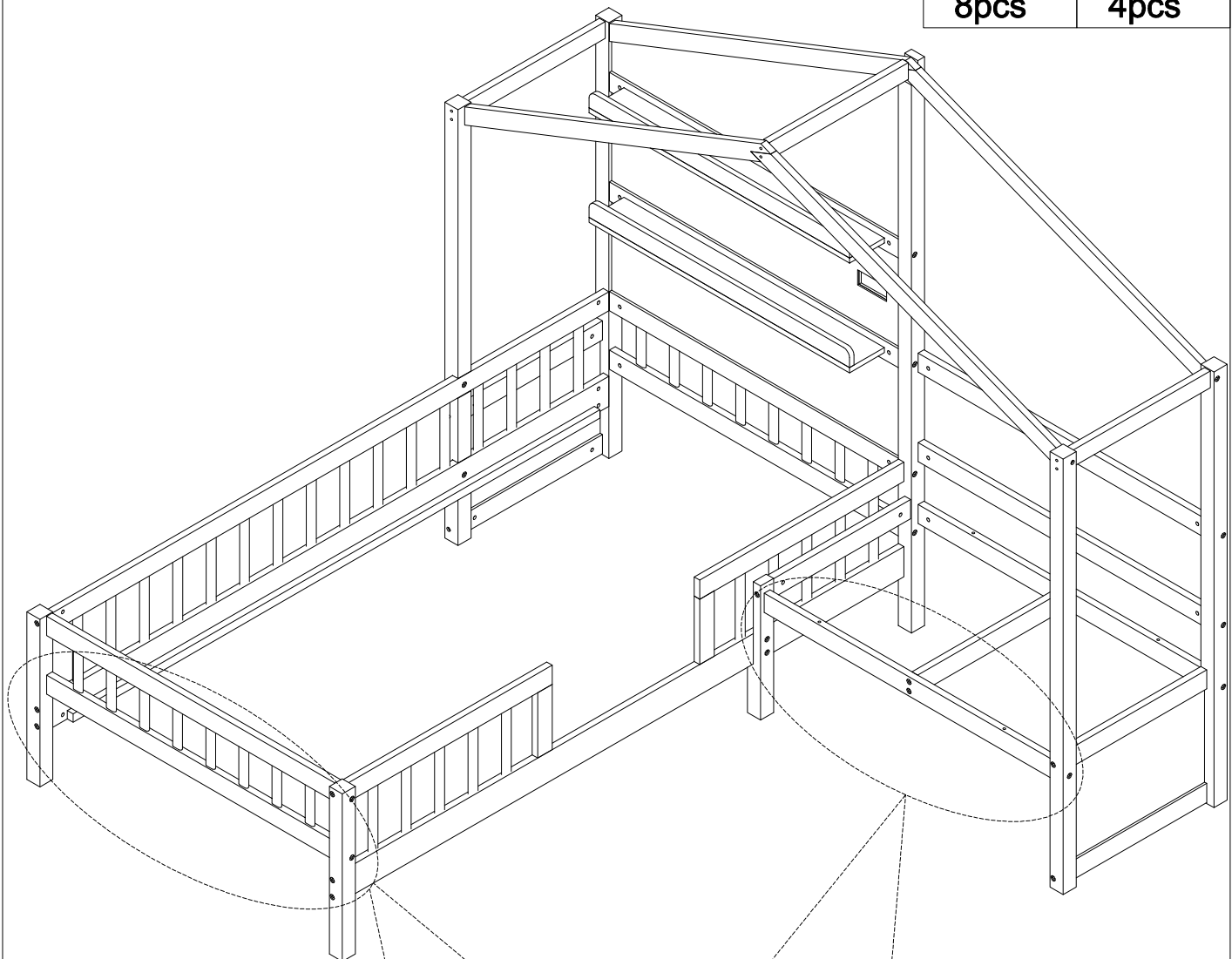
STEP 9:

C		B	
	12pcs		12pcs
F		K	
	4pcs		8pcs
		L	
			4pcs



STEP 10:

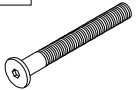
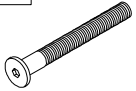
M		N	
8pcs		4pcs	

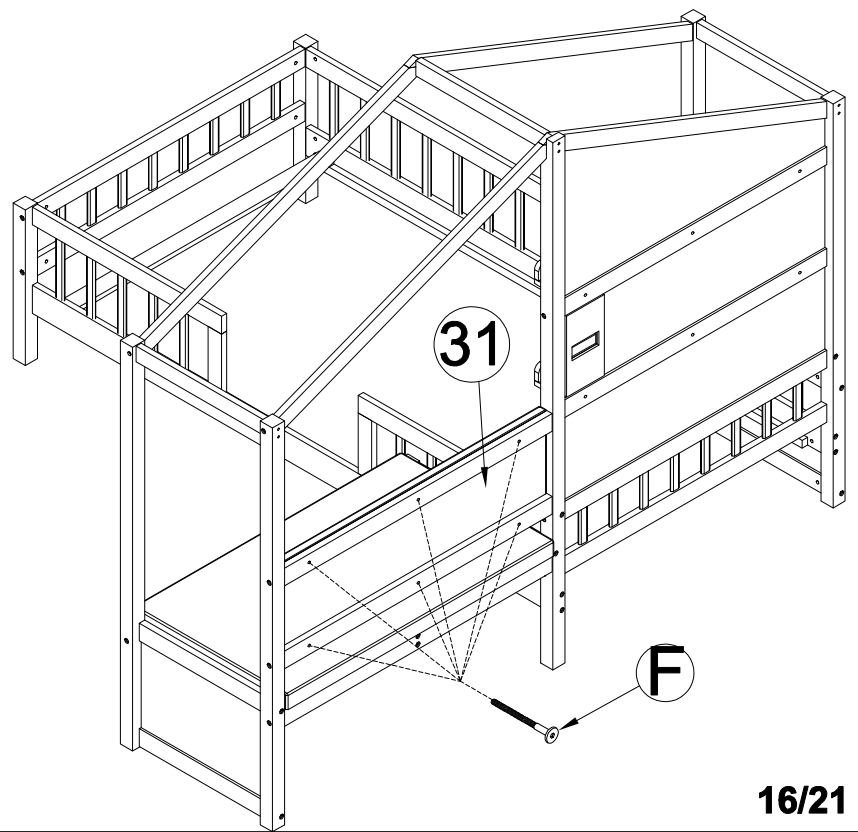
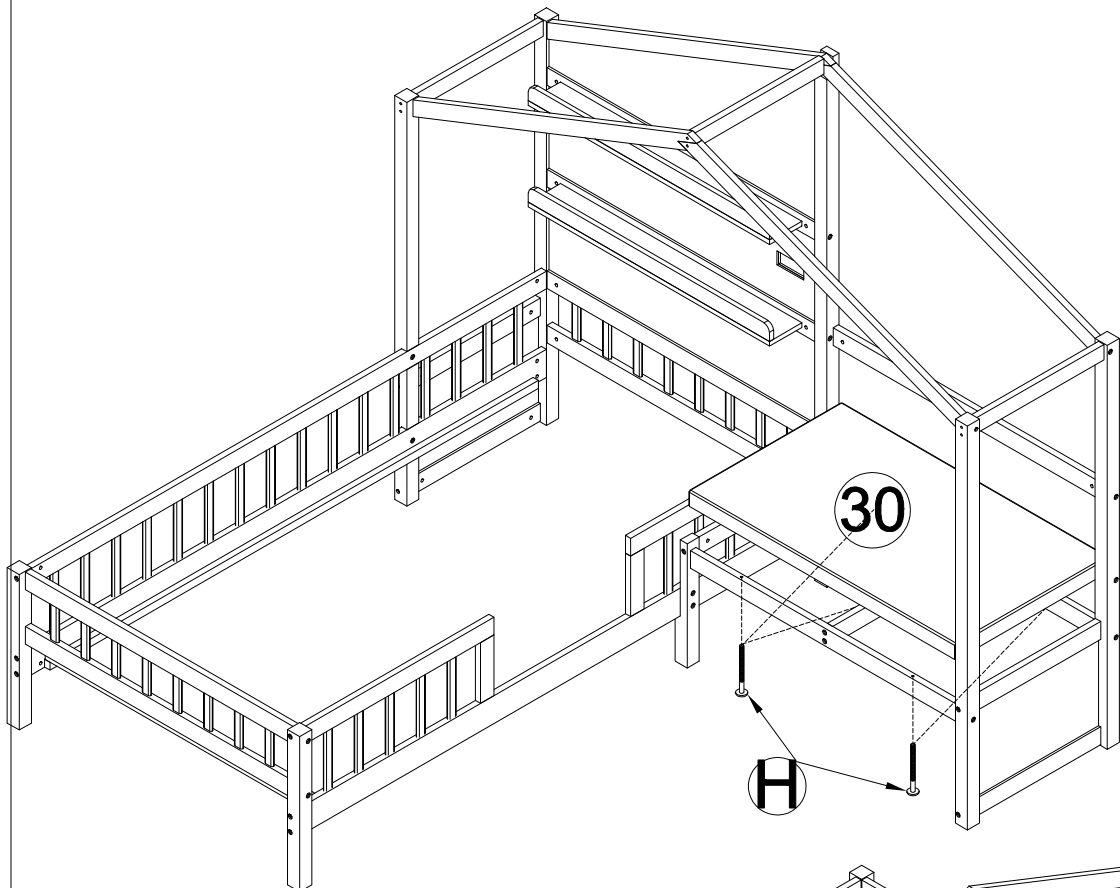


Inside View

STEP 11:

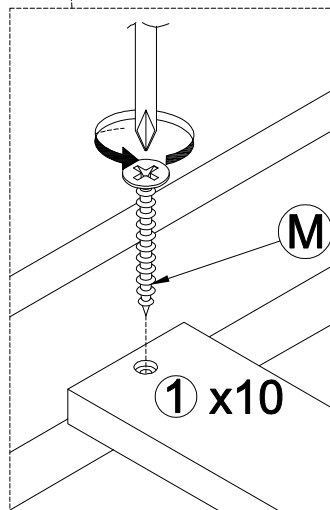
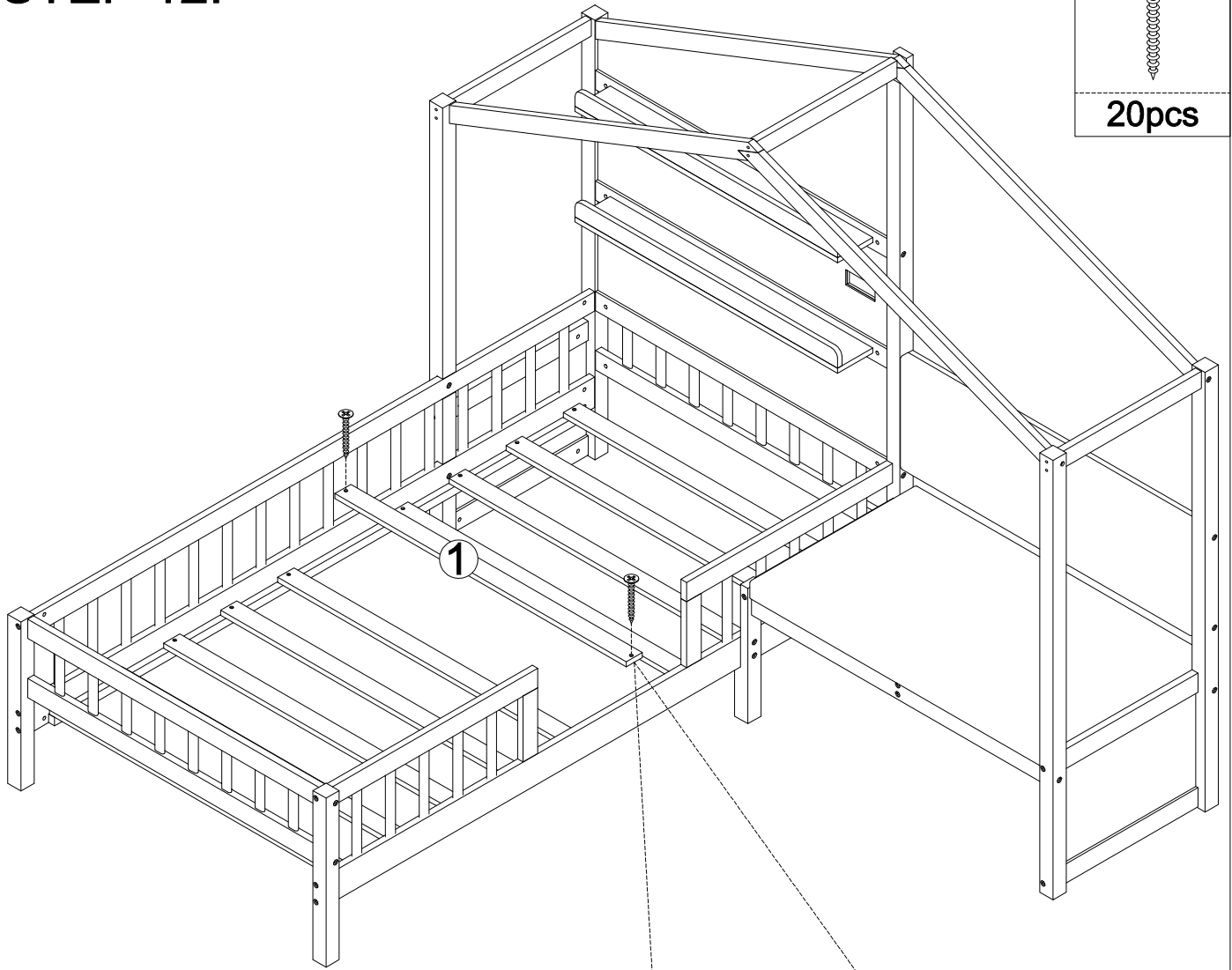
- Remove the plastic bag covering the mattress
- Using HW #H to Connect Frame (completed in step 10) with 30 Mattress
- Using HW #F to Connect Frame (completed in step 10) with 31 Mattress
- Look at detail view for more detail

H	
5pcs	
F	
6pcs	

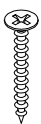


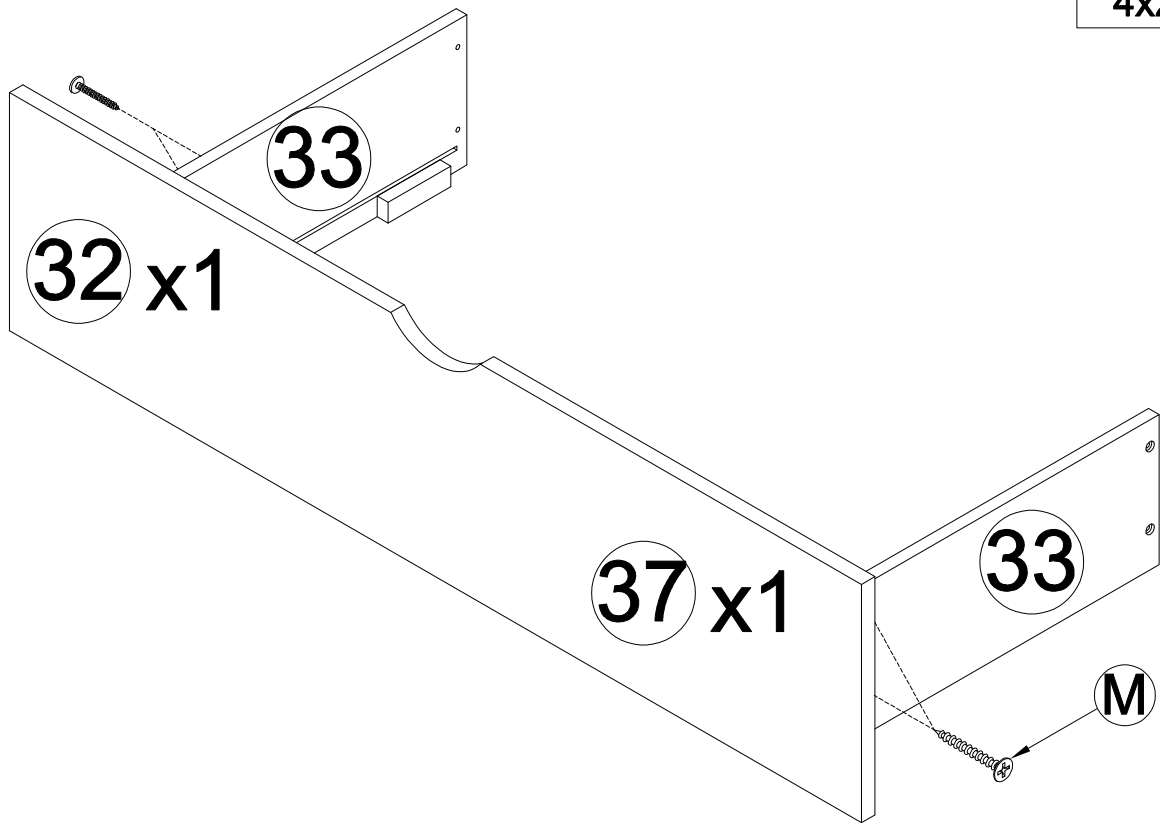
STEP 12:

M
20pcs

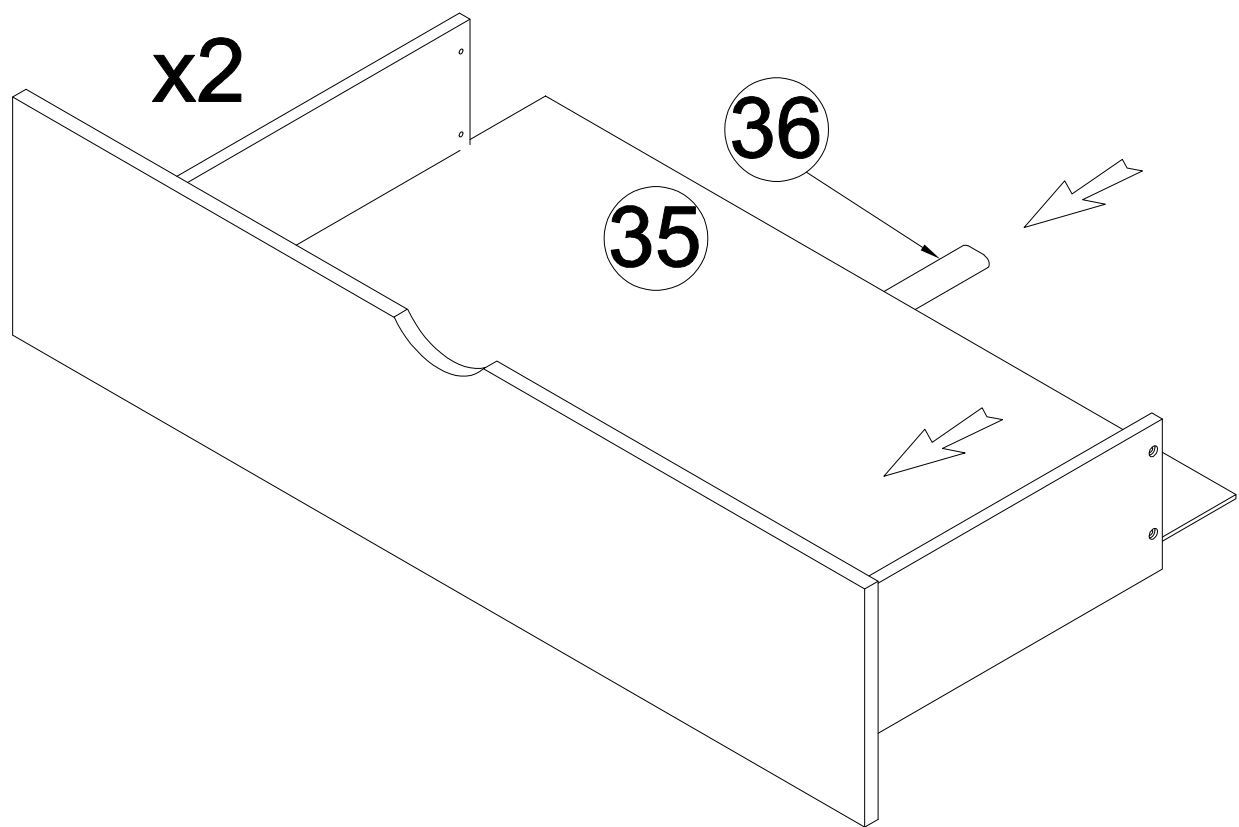


STEP 13-1:

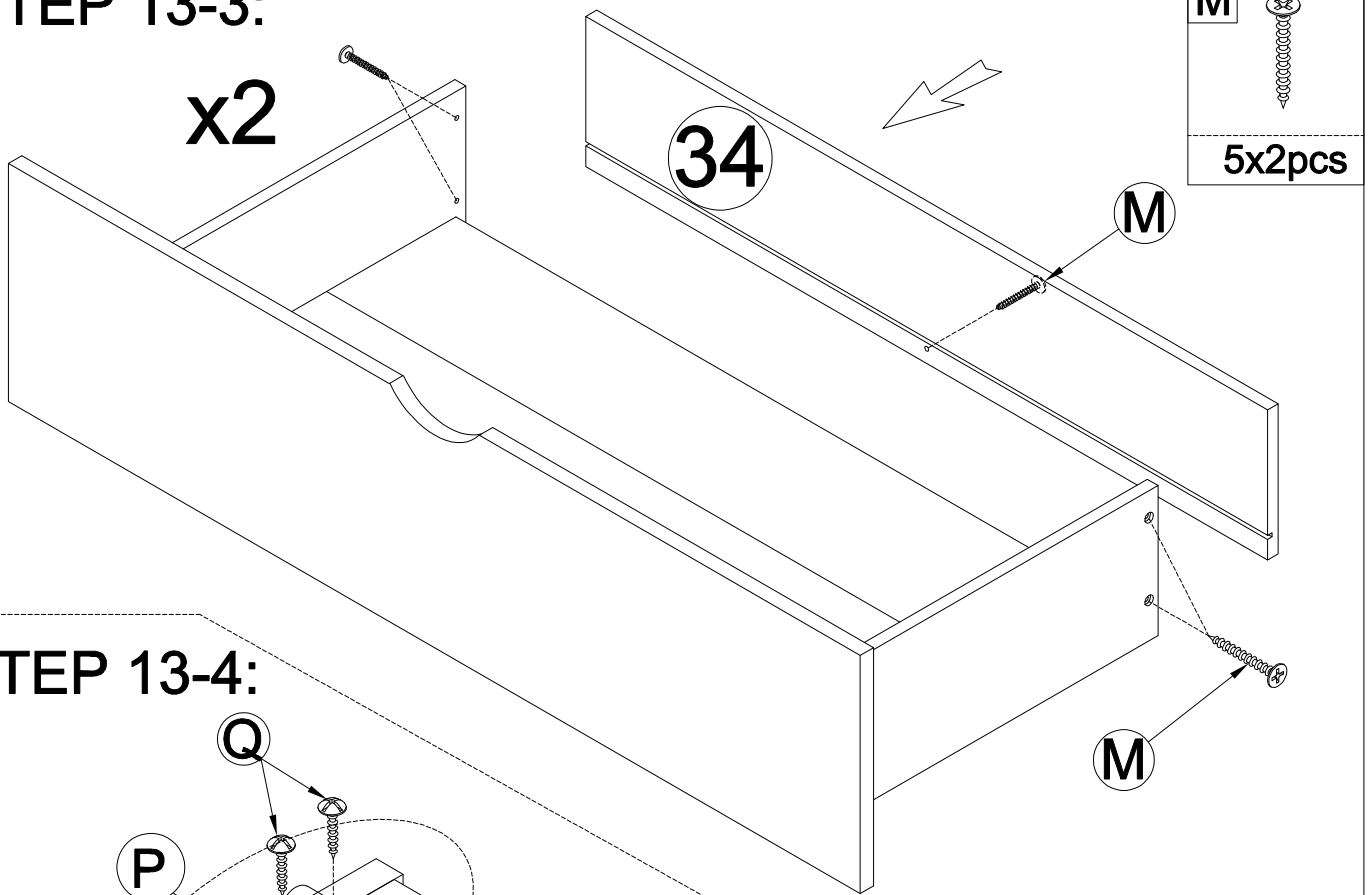
M	
4x2pcs	



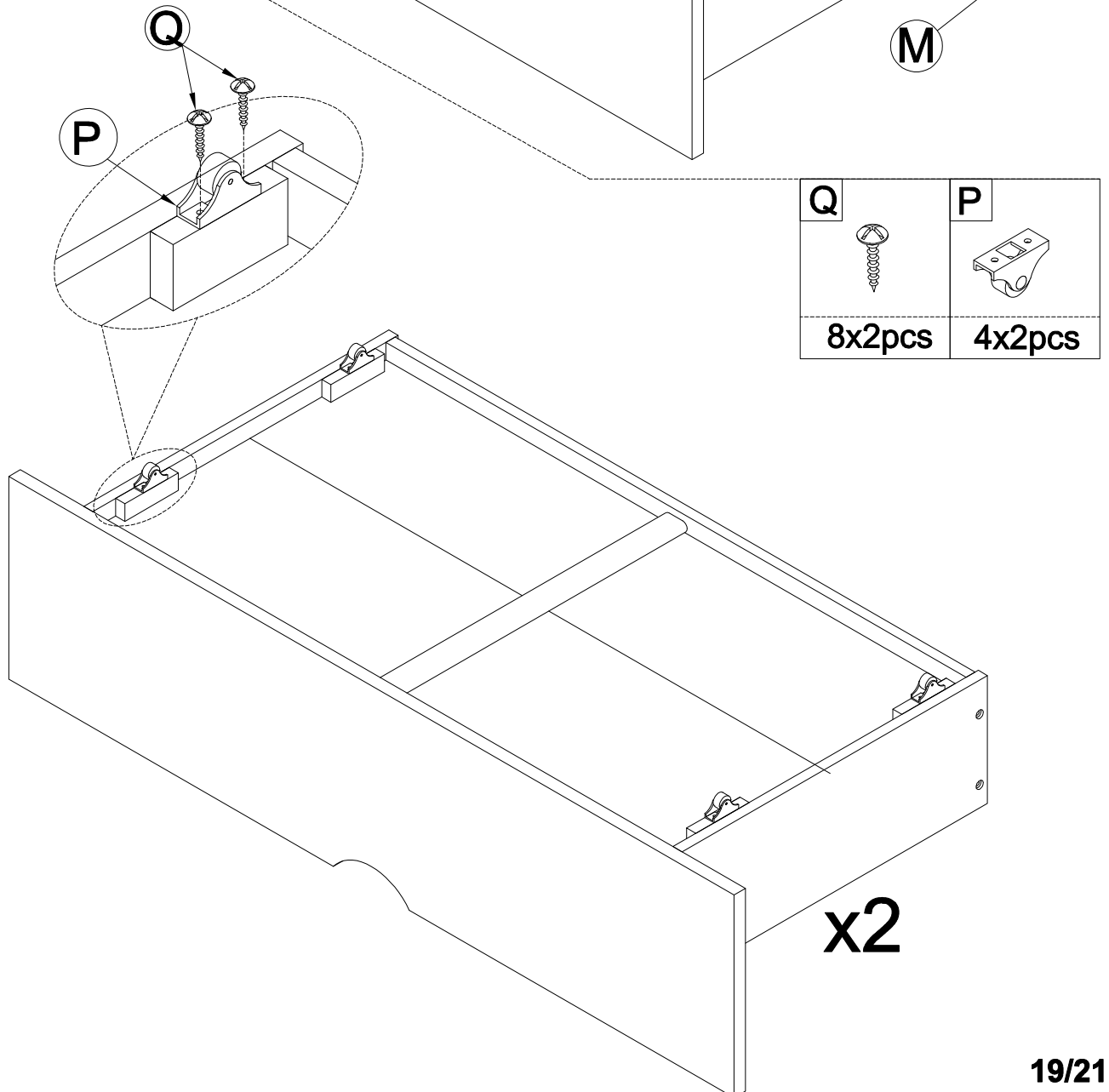
STEP 13-2:



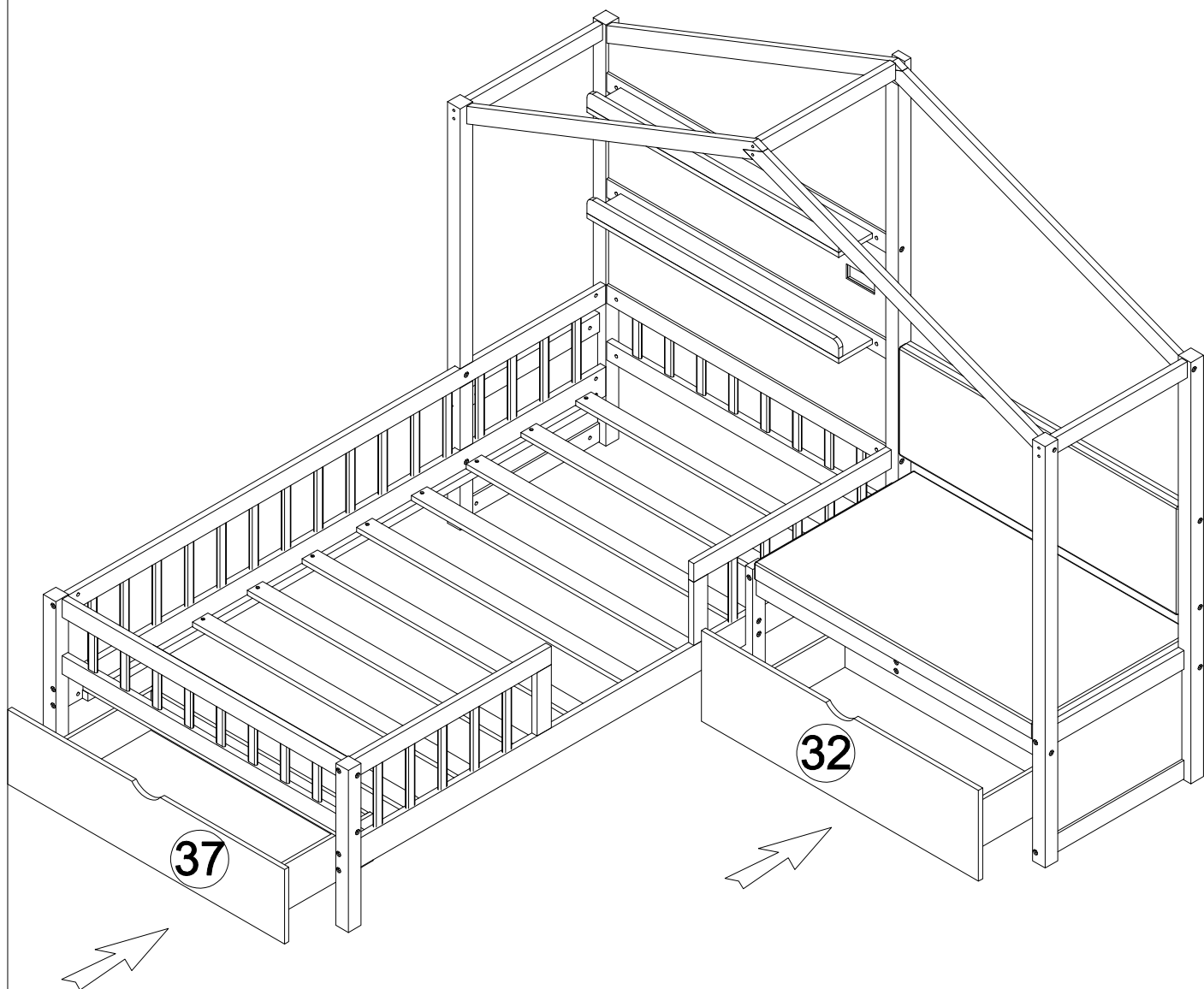
STEP 13-3:



STEP 13-4:



STEP 14: Push 2 Drawers on right place



STEP 15: CONGRATULATION. YOU HAVE COMPLETED THE BED
Connect the LED wire as shown

S



1pc

