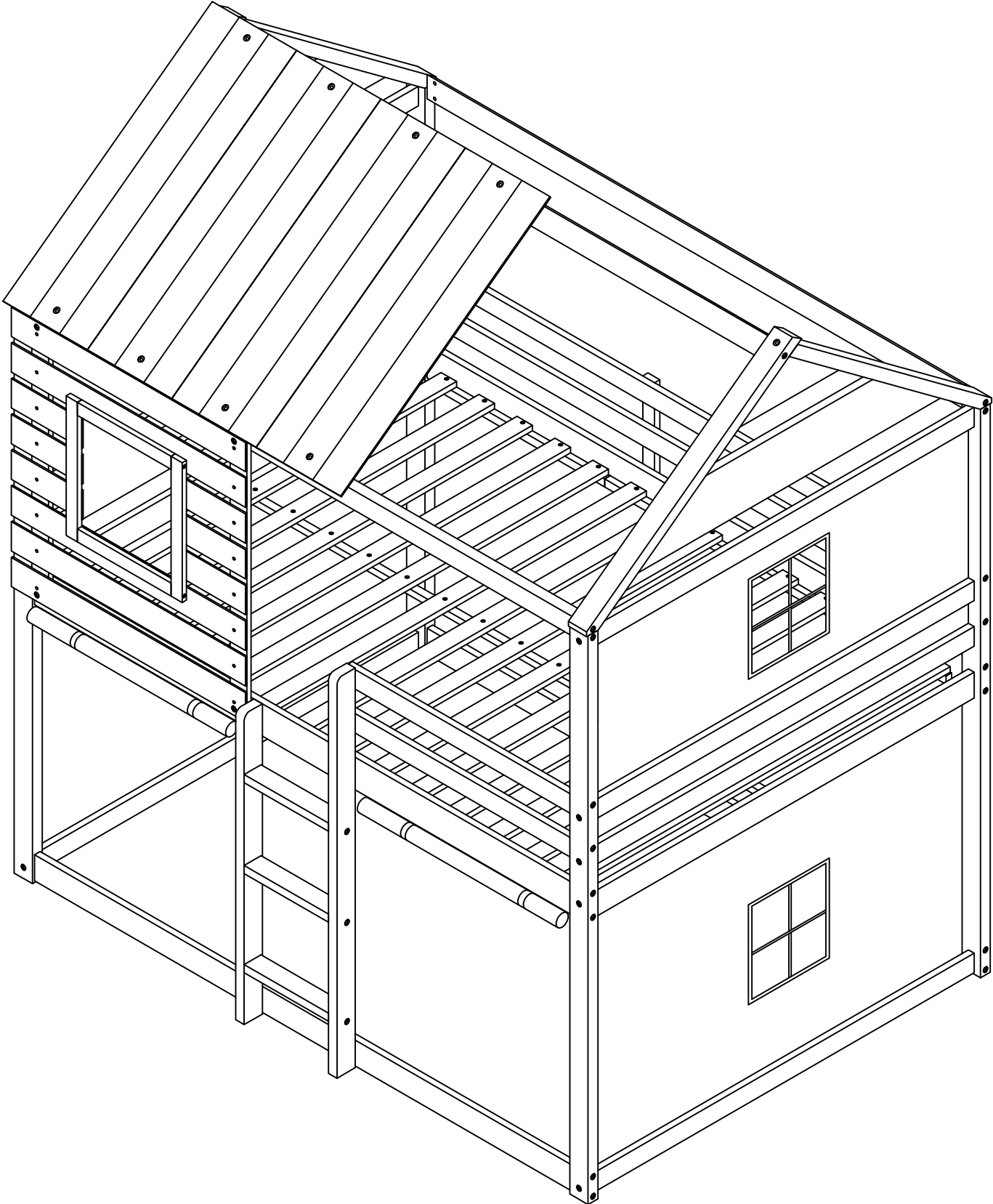


ASSEMBLY INSTRUCTIONS



WF318542/WF318543

! SAFETY WARNINGS !

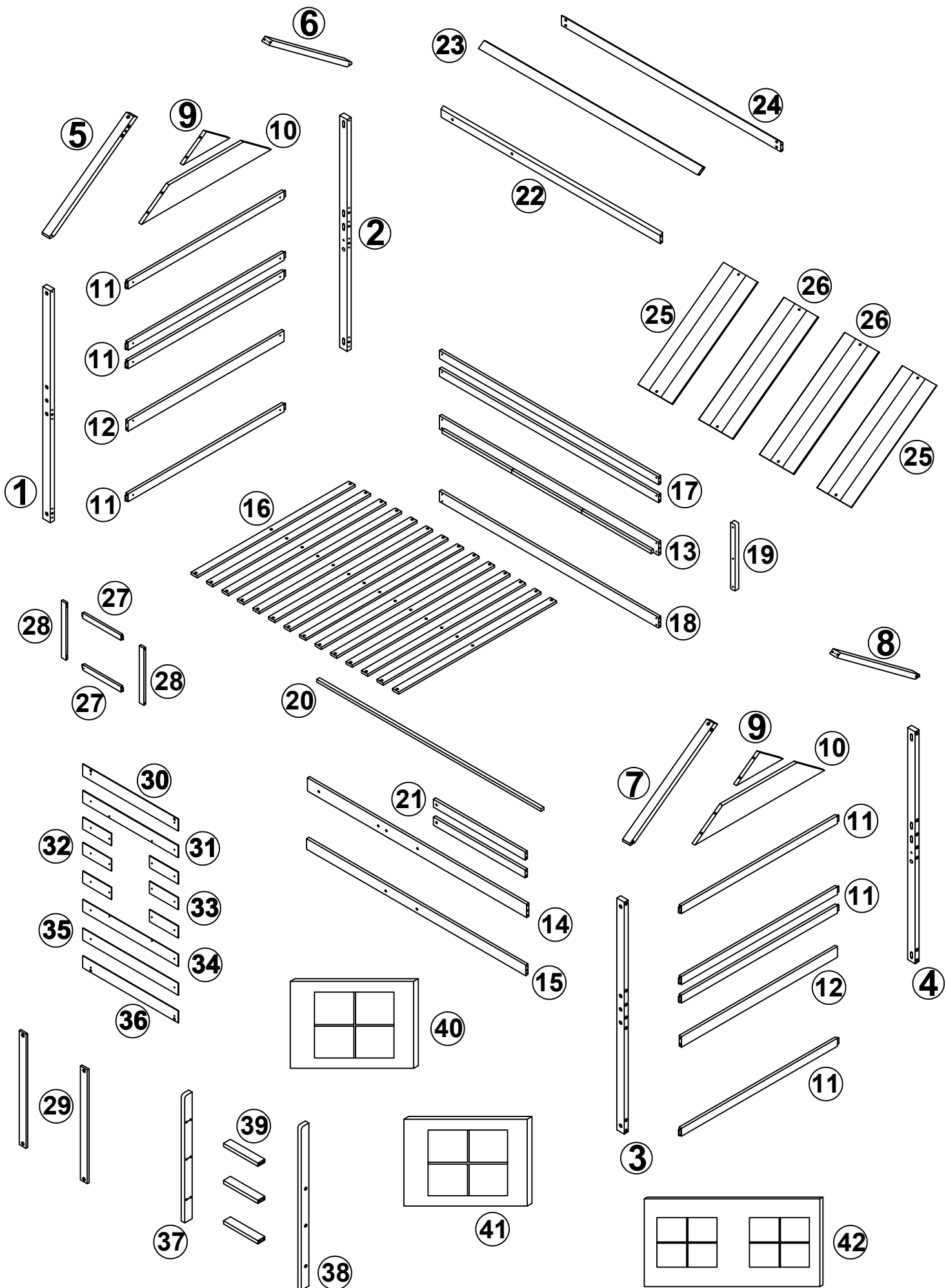
1. This bed is designed for use only mattress(es) meeting the following specifications on the upper bunk, and lower bunk:

Bed type	Length	Width	Thickness
Full Standard	74" - 75"	53 1/2"	6"


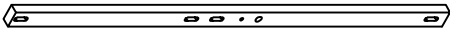
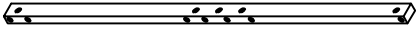
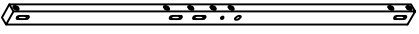
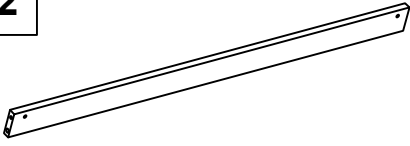

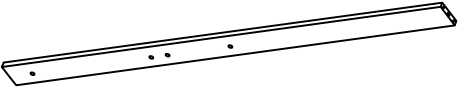
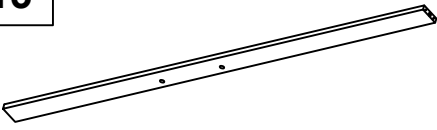
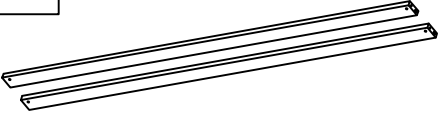
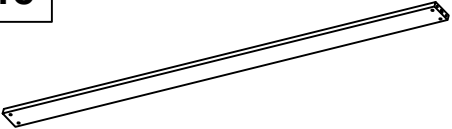
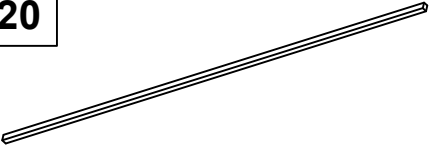
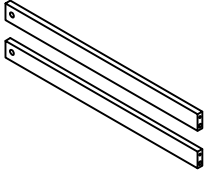

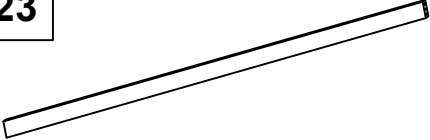
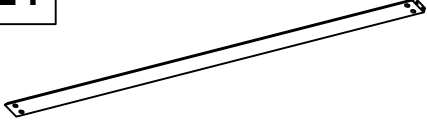
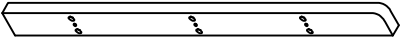
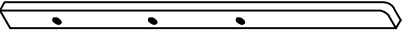
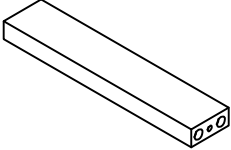
Bed type	Length	Width	Thickness
Full Standard	74" - 75"	53 1/2"	6"

2. Replacement parts, including additional guardrails, may be obtained from any of our (GIGACLOUD TECHNOLOGY (USA) INC . 18961 ARENTH AVENUS CITY OF INDUSTRY, CA, 91748) dealers
3. Follow the information on the warnings appearing on the upper bunk bed end structure and on the carton. Do not remove warning label from bed.
4. Always use the recommended size mattresses or mattress supports, or both, to help prevent the likelihood of entrapment or falls.
5. Surface of the mattress must be at least 5 in. (127 mm) below the upper edge of guardrails.
6. Do not allow children under 6 years of age to use the upper bunk.
7. Periodically check and ensure that the guardrail, ladder, and other components are in their proper position, free from damage, and that all connectors are tight.
8. Do not allow horseplay on or under the bed and prohibit jumping on the bed
9. Always use the ladder for entering and leaving the upper bunk.
10. Do not use substitute parts. Contact the manufacturer or dealer for replacement parts.
11. Use of a night light may provided added safety precaution for a child using the upper bunk.
12. Always use guardrails on both long sides of the upper bunk. If the bunk bed will be placed next to the wall, the guardrail that runs the full length of the bed should be placed against the wall to prevent entrapment between the bed and wall.
13. The use of water or sleep flotation mattresses is prohibited.
14. STRANGULATION HAZARD – Never attach or hang items to any part of the bunk bed that are not designed for use with the bed; for axample, but not limited, hook, belts and jump ropes.
15. Keep these instructions for future reference
16. Prohidit more than one person on upper bunk .
17. We recommend assembling your bunk bed on the shipping carton to protect your floor or carpet .
18. Be caertain all staples are out of the box before beginning assembly on the shipping carton .

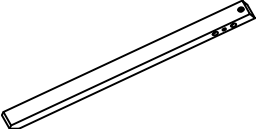
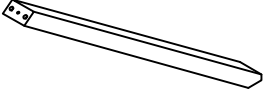
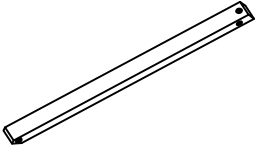
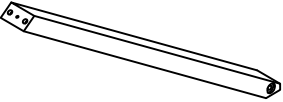
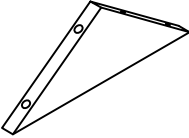
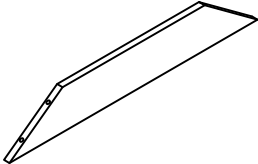
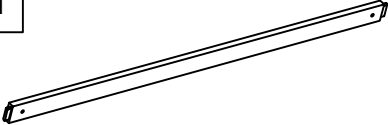
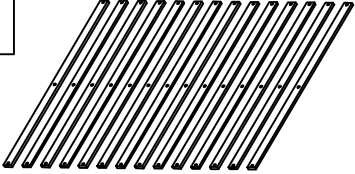
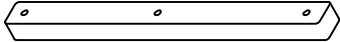
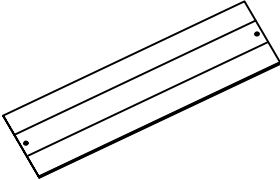
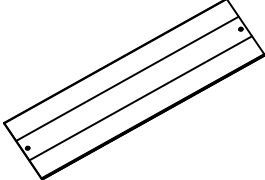
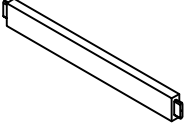
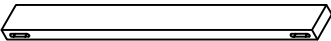
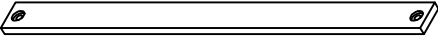
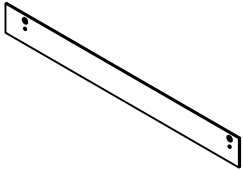
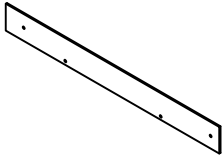
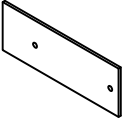
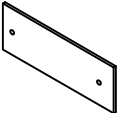
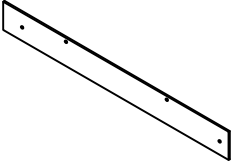
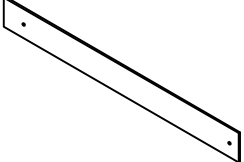
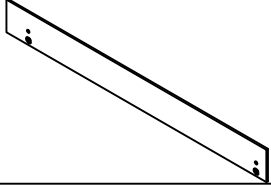
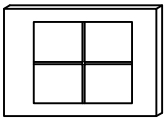
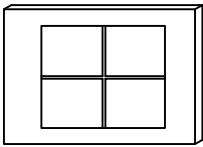
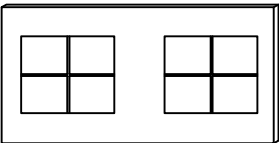
Detail View



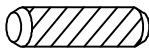



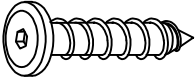

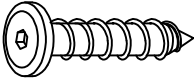


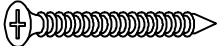

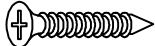

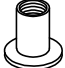
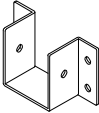

Part List : WF318543

<p>1</p> 	<p>2</p> 	<p>3</p> 
<p>Front leg (left) - 1pc</p>	<p>Front leg (right) - 1pc</p>	<p>Back leg (left) - 1pc</p>
<p>4</p> 	<p>12</p> 	<p>13</p> 
<p>Front leg (right) - 1pc</p>	<p>Crossbar - 2pcs</p>	<p>Bed shoulder (Back) - 1pc</p>
<p>14</p> 	<p>15</p> 	<p>17</p> 
<p>Bed shoulder (front) - 1pc</p>	<p>Lower beam (rear) - 1pc</p>	<p>Long upper beam - 2pcs</p>
<p>18</p> 	<p>20</p> 	<p>21</p> 
<p>Lower beam (rear) - 1pc</p>	<p>Tree support - 1pc</p>	<p>Short top bar - 2pcs</p>
<p>22</p> 	<p>23</p> 	<p>24</p> 
<p>Roof beam (front) - 1pc</p>	<p>Middle roof beam - 1pc</p>	<p>Roof beam (rear) - 1pc</p>
<p>37</p> 	<p>38</p> 	<p>39</p> 
<p>Stair foot (left) - 1pc</p>	<p>Stair foot (right) - 1pc</p>	<p>Stair steps - 3pcs</p>

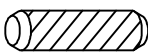
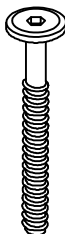

Part List : WF318542

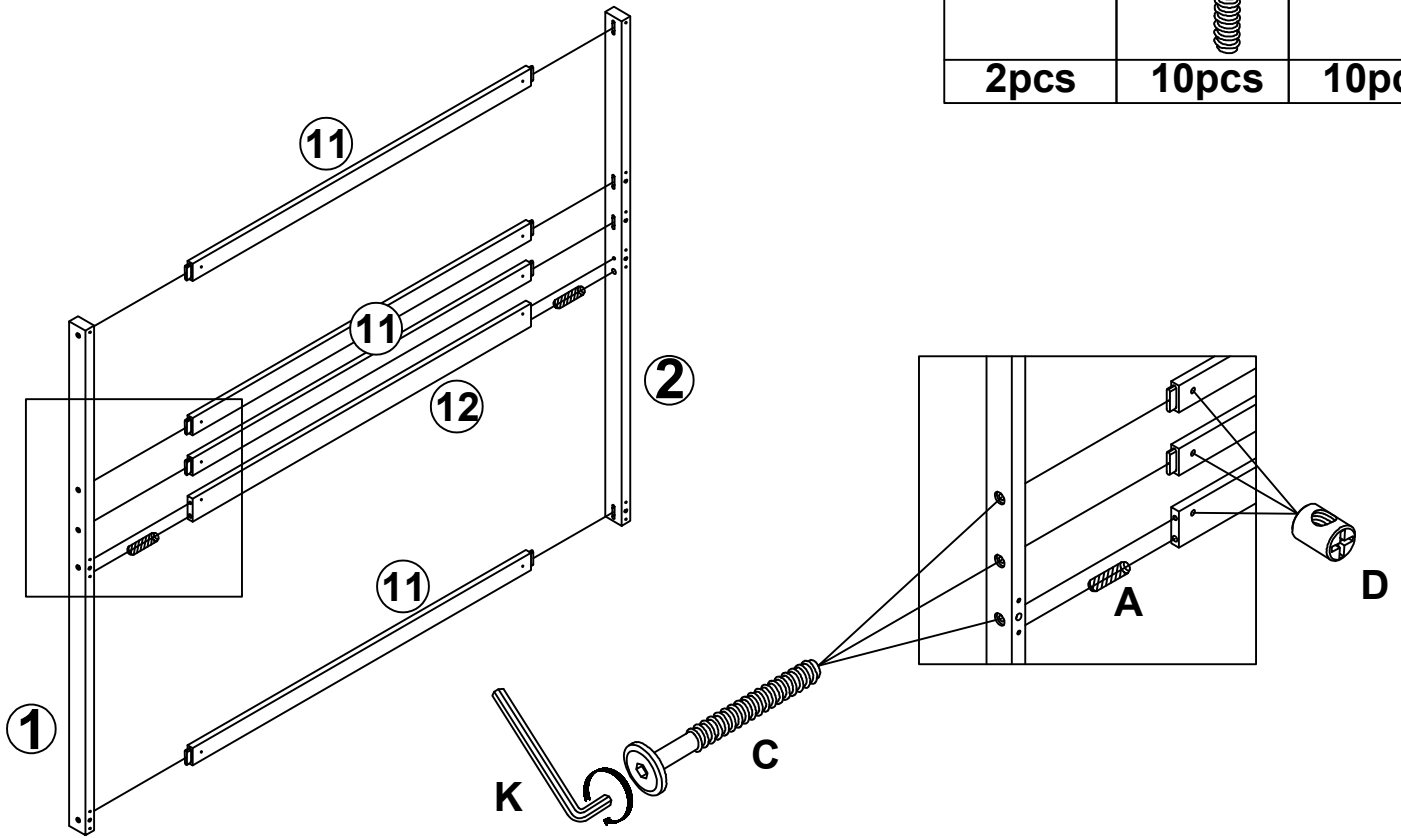
<p>5</p> 	<p>6</p> 	<p>7</p> 
<p>Roof beam (left) - 1pc</p>	<p>Rear roof beam (left) - 1pc</p>	<p>Roof beam (right) - 1pc</p>
<p>8</p> 	<p>9</p> 	<p>10</p> 
<p>Rear roof beam (right) - 1pc</p>	<p>Roof Block (L/R) - 2pcs</p>	<p>Roof plank - 2pcs</p>
<p>11</p> 	<p>16</p> 	<p>19</p> 
<p>Crossbar - 8pcs</p>	<p>Slats - 14pcs</p>	<p>Splints -1pc</p>
<p>25</p> 	<p>26</p> 	<p>27</p> 
<p>Roof valve - 2pcs</p>	<p>Roof valve - 2pcs</p>	<p>Short door bar - 2pcs</p>
<p>28</p> 	<p>29</p> 	<p>30</p> 
<p>Long door bar - 2pcs</p>	<p>Door splint - 2pcs</p>	<p>Roof beam (rear) - 1pc</p>
<p>31</p> 	<p>32</p> 	<p>33</p> 
<p>Long panel - 1pc</p>	<p>Frame brace - 3pcs</p>	<p>Short panel - 3pcs</p>
<p>34</p> 	<p>35</p> 	<p>36</p> 
<p>Long panel - 1pc</p>	<p>Long panel - 1pc</p>	<p>Frame brace - 1pc</p>
<p>40</p> 	<p>41</p> 	<p>42</p> 
<p>Small fabric - 2pcs</p>	<p>Medium fabric - 2pcs</p>	<p>Large fabric - 1pc</p>

Hardware List : WF318543

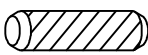


<p>A</p>  <p>Ø10*30mm</p>	<p>B</p>  <p>Ø1/4"*110mm</p>	<p>C</p>  <p>Ø1/4"*80mm</p>
<p>Wood dowel (46pcs)</p>	<p>Hex-Head bolt (32pcs)</p>	<p>Hex-Head bolt (20pcs)</p>
<p>D</p>  <p>Ø1/4"*9.5*12mm</p>	<p>E</p>  <p>Ø6*30mm</p>	<p>G</p>  <p>Ø6*50mm</p>
<p>Horizontal-Hole bolt (58pcs)</p>	<p>Hex-Head screw (3pcs)</p>	<p>Hex-Head screw (16pcs)</p>
<p>H</p>  <p>Ø6*20mm</p>	<p>J</p>  <p>Ø3.5*15mm</p>	<p>K</p>  <p>K4mm</p>
<p>Hex-Head screw (8pcs)</p>	<p>Wood screws (26pcs)</p>	<p>Allen key (2pcs)</p>
<p>L</p>  <p>#4*50mm</p>	<p>M</p>  <p>Ø1/4"*65mm</p>	<p>N</p>  <p>#4*30mm</p>
<p>Screw (4pcs)</p>	<p>Hex-Head bolt (6pcs)</p>	<p>Screw (42pcs)</p>
<p>O</p>  <p>Ø1/4"*30mm</p>	<p>P</p>  <p>Ø1/4"</p>	<p>Q</p>  <p>70*40*25mm</p>
<p>Hex-Head bolt (4pcs)</p>	<p>Nut (4pcs)</p>	<p>U bracket (2pcs)</p>
<p>R</p>  <p>#4*15mm</p>		
<p>Screw (12pcs)</p>		

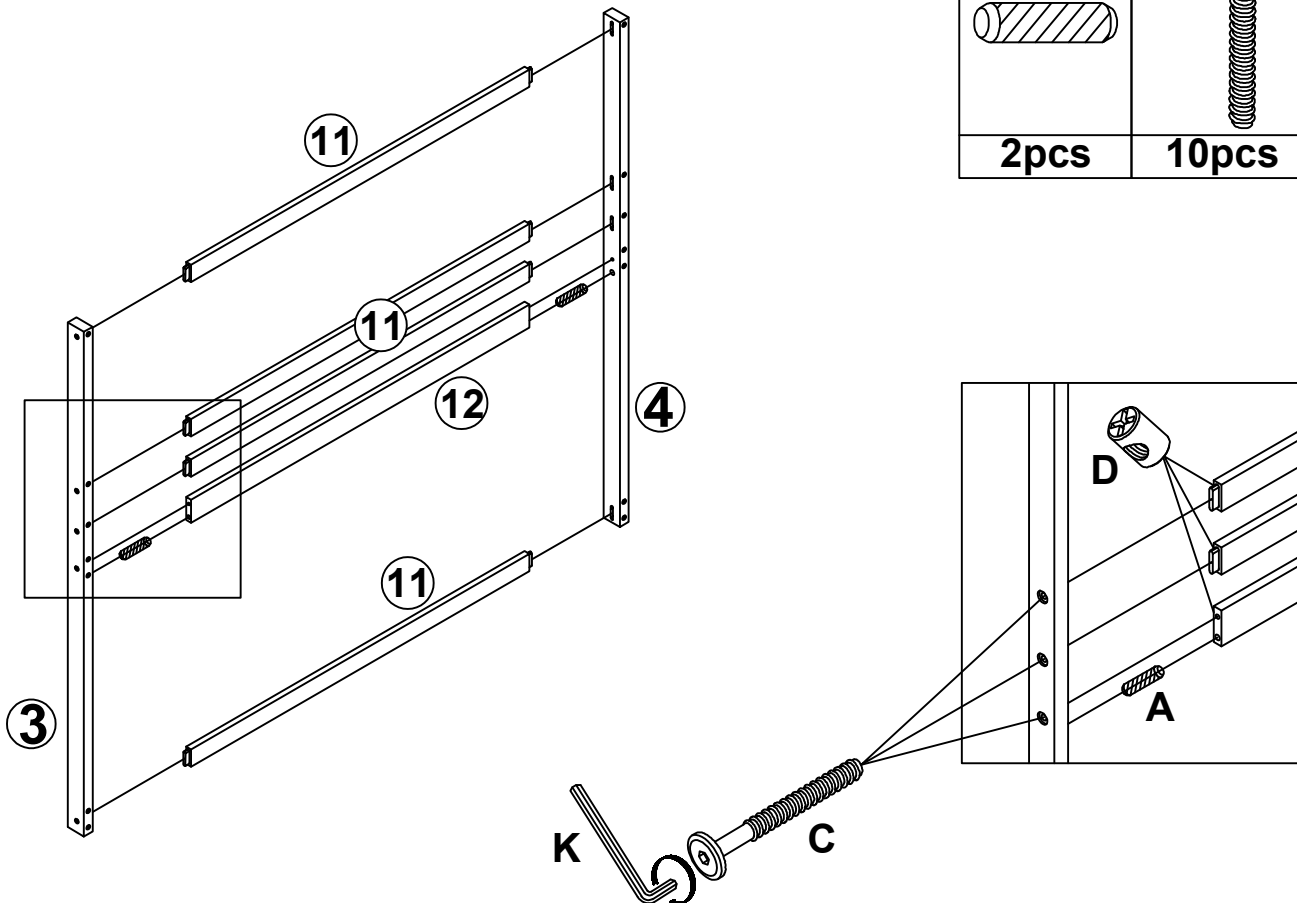
Step 1

<p>A</p> 	<p>C</p> 	<p>D</p> 
<p>2pcs</p>	<p>10pcs</p>	<p>10pcs</p>

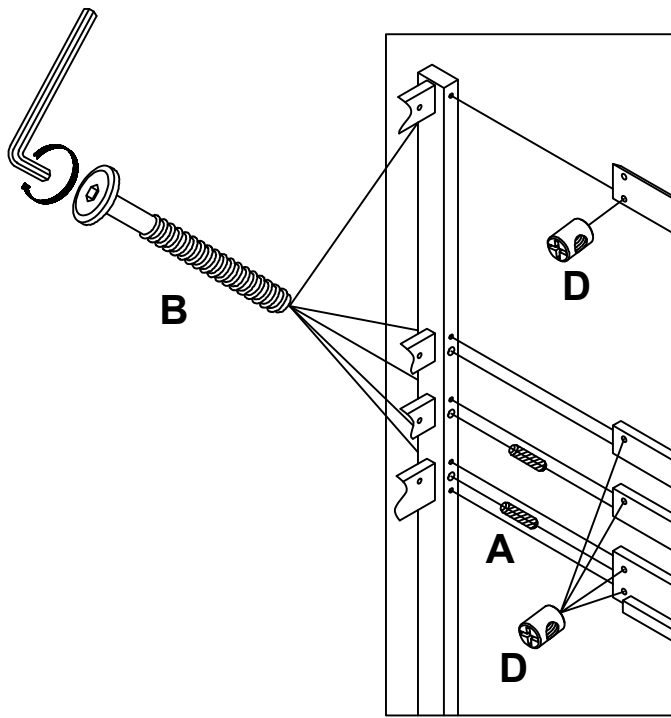


Step 2

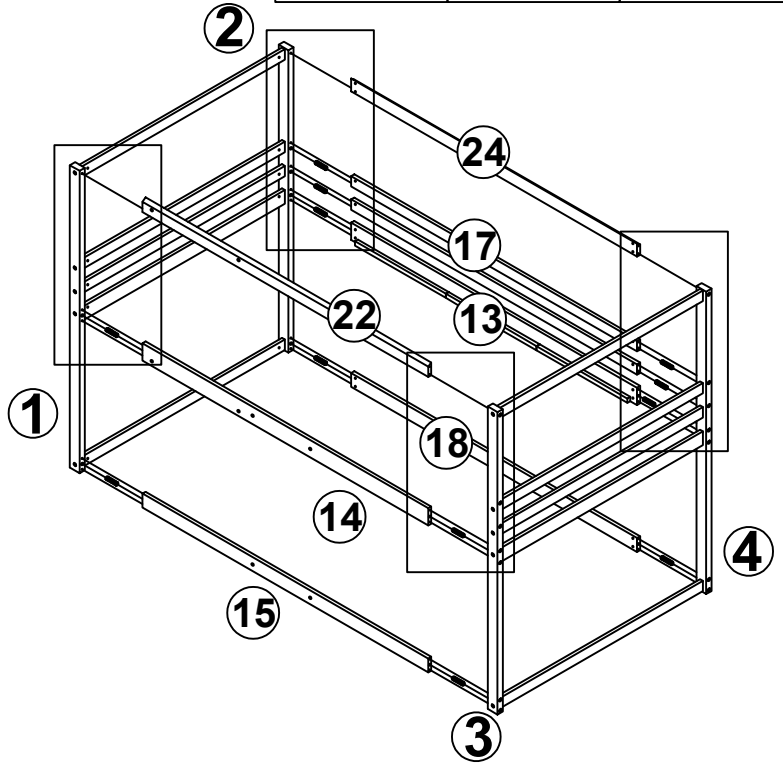
<p>A</p> 	<p>C</p> 	<p>D</p> 
<p>2pcs</p>	<p>10pcs</p>	<p>10pcs</p>



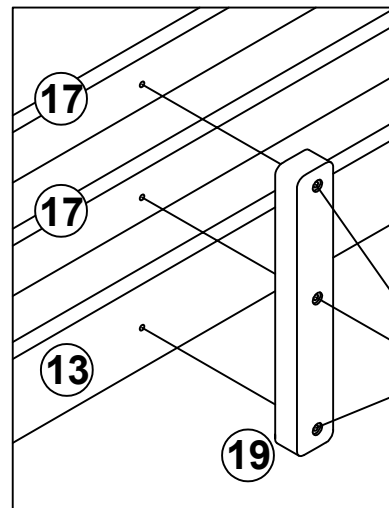
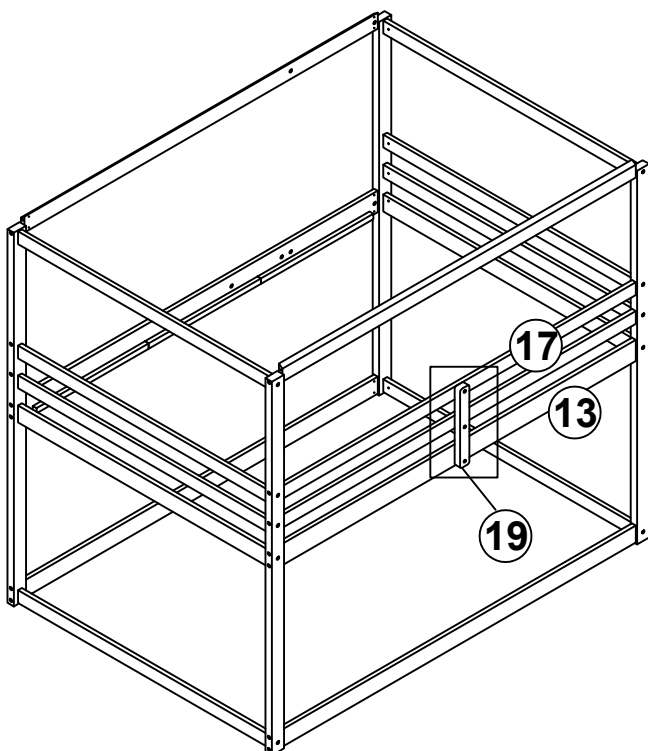
Step 3



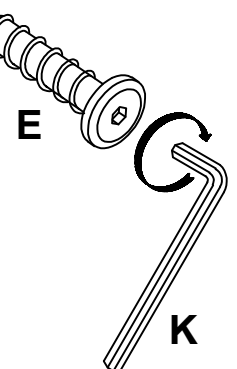
A	B	D
12pcs	24pcs	24pcs



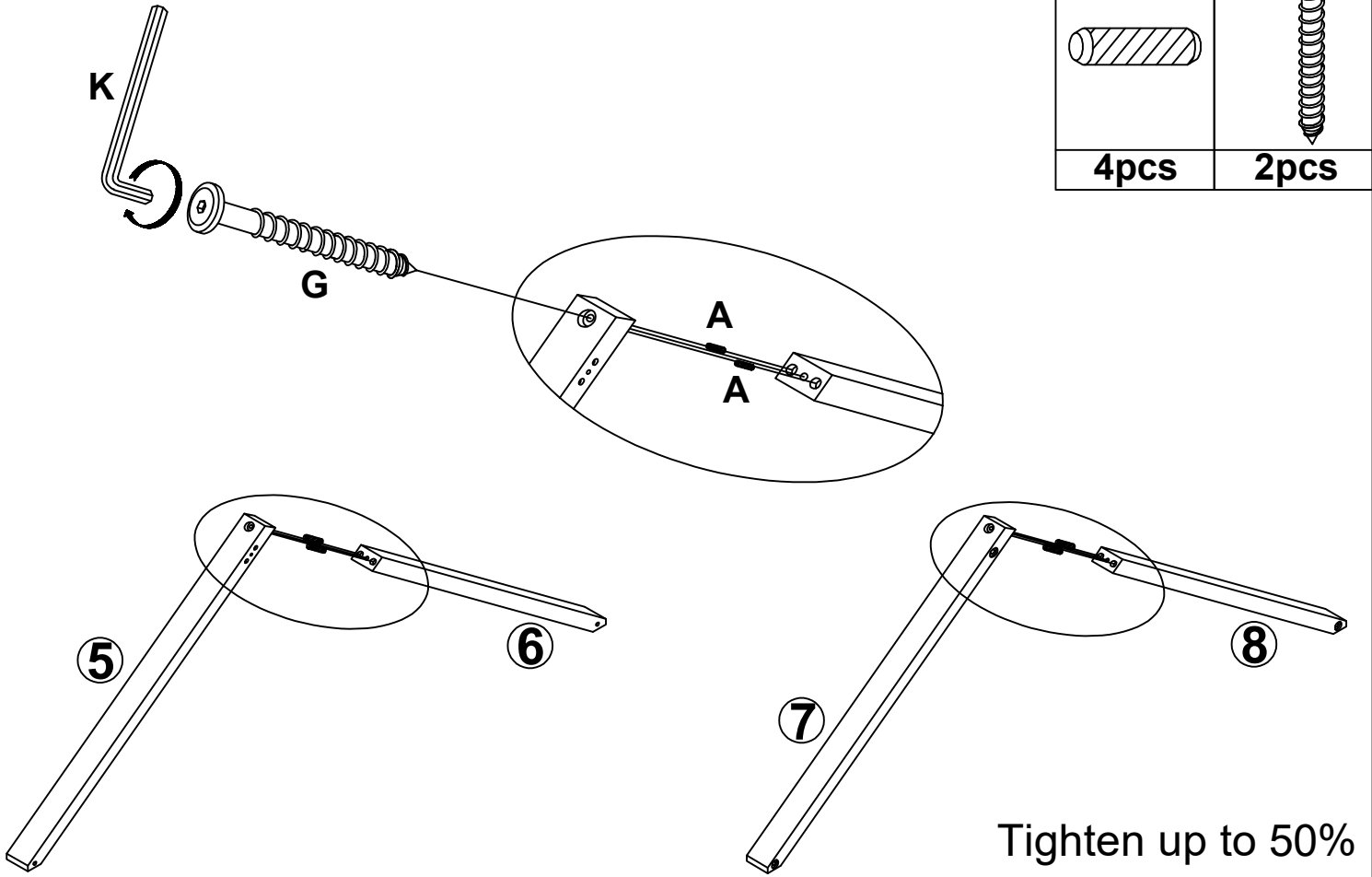
Step 4



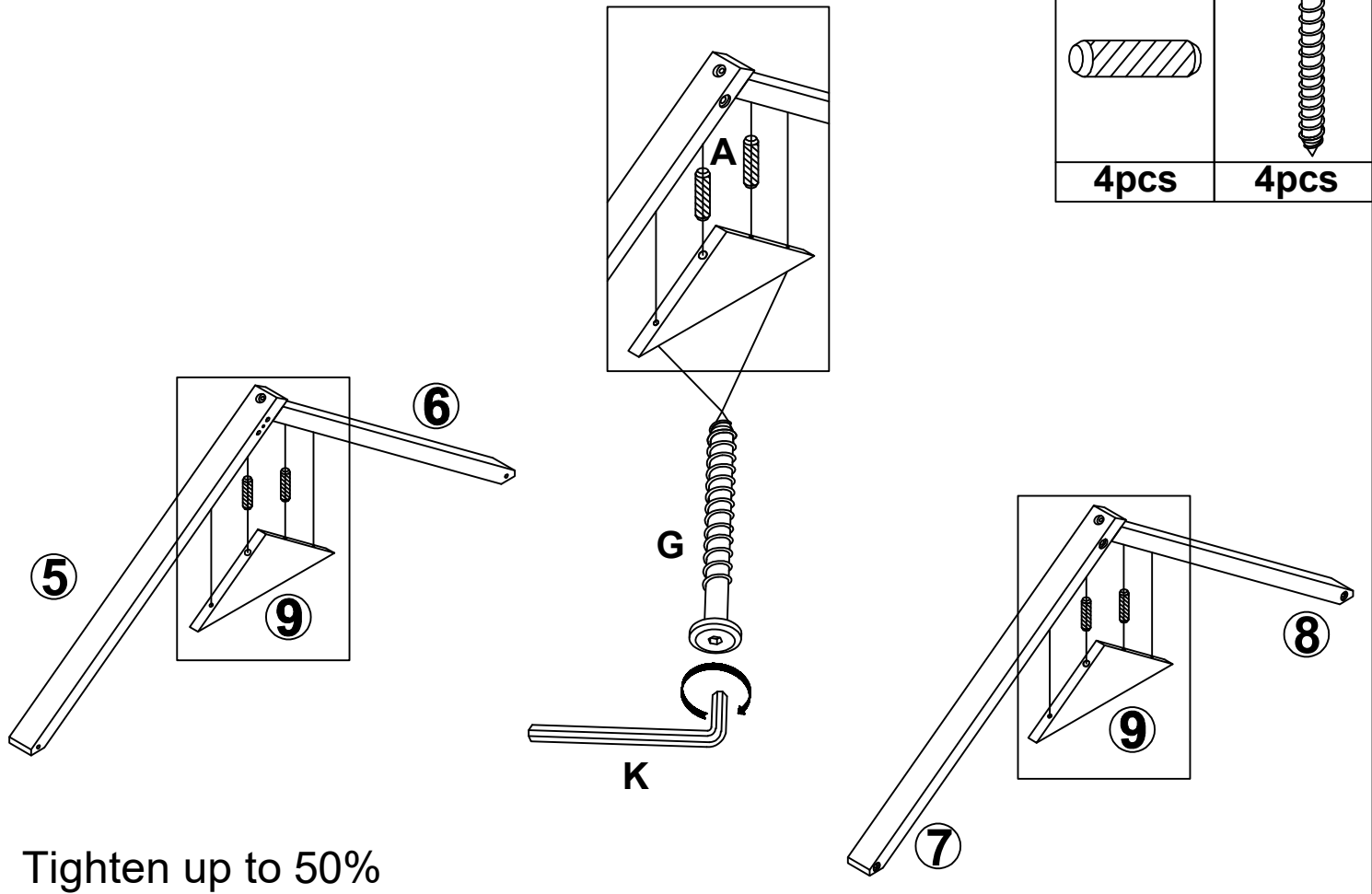
E
3pcs



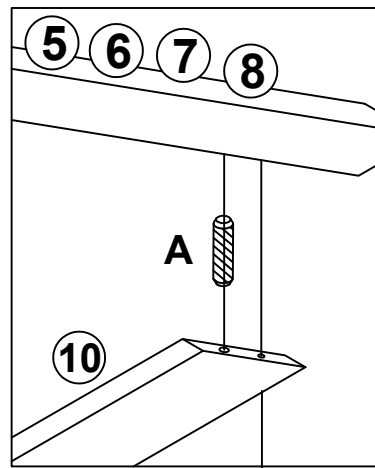
Step 5

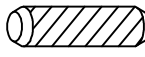



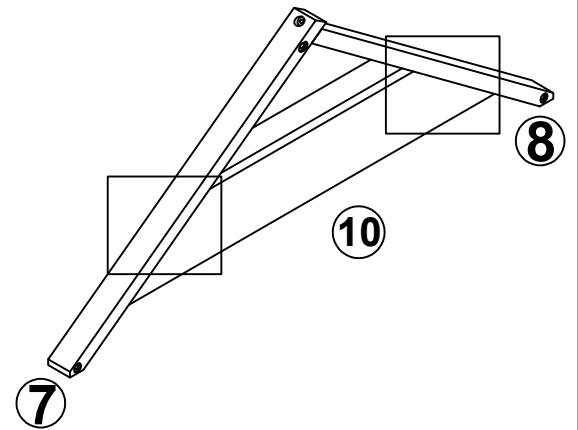
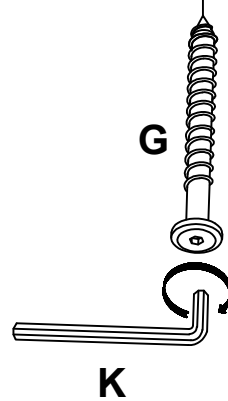
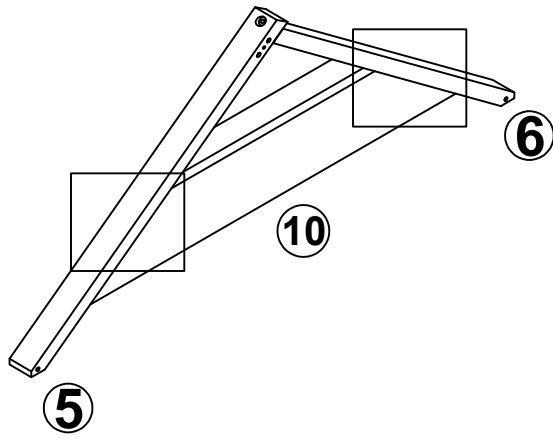
Step 6



Step 7

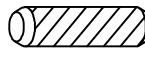




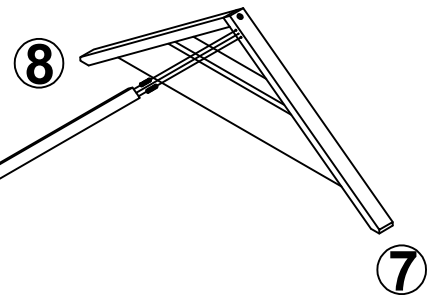
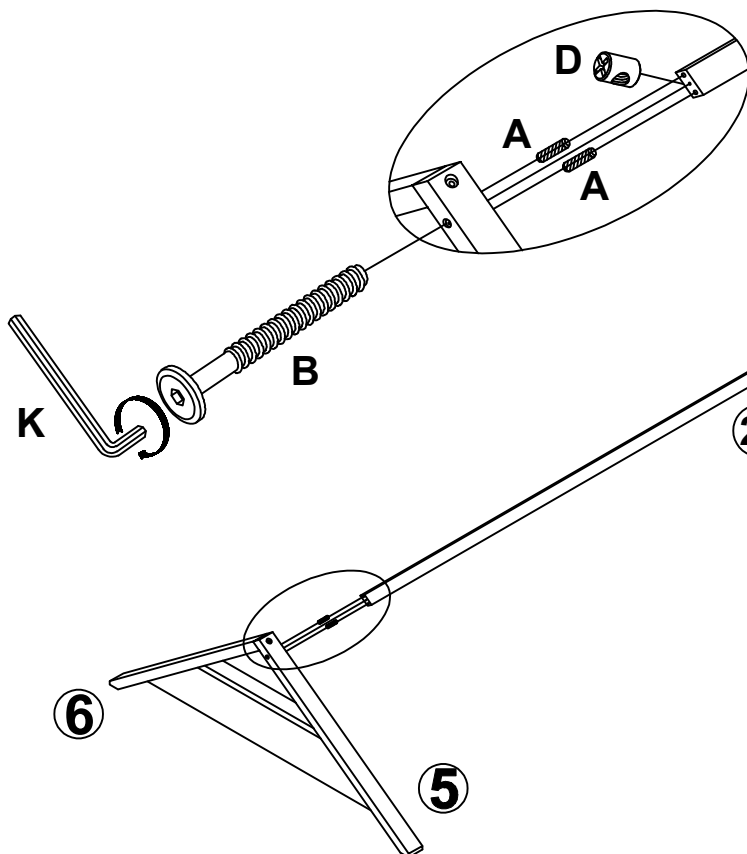
A 	G 
4pcs	4pcs



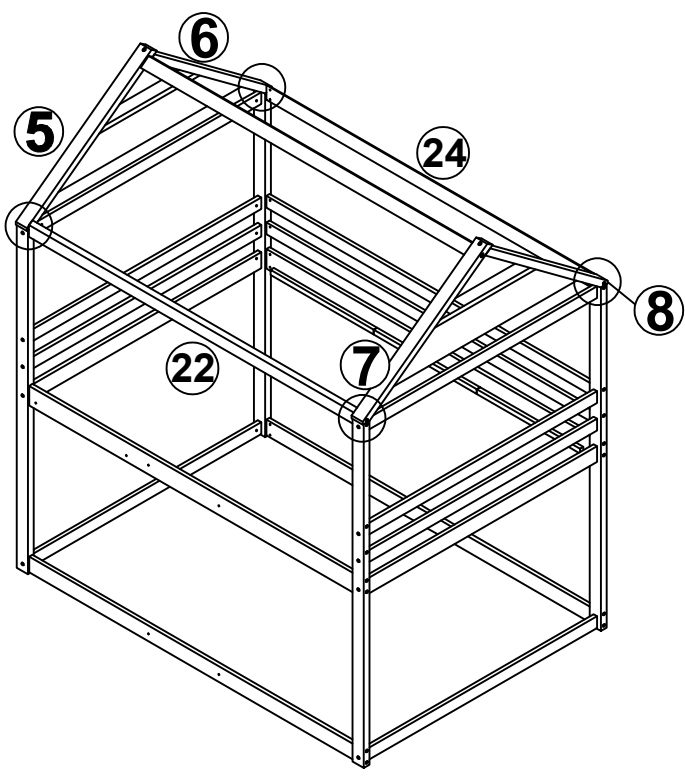
100% complete tightening

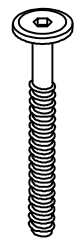
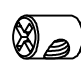
Step 8

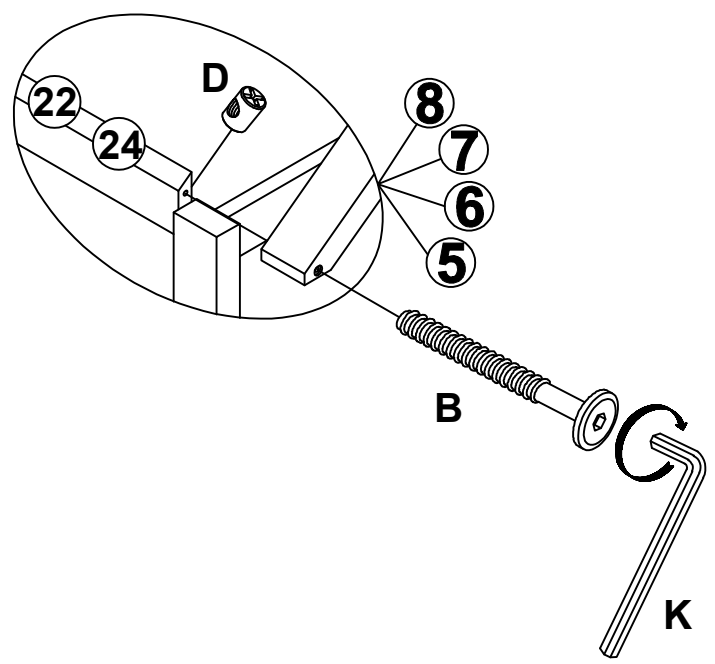
A 	B 	D 
4pcs	2pcs	2pcs



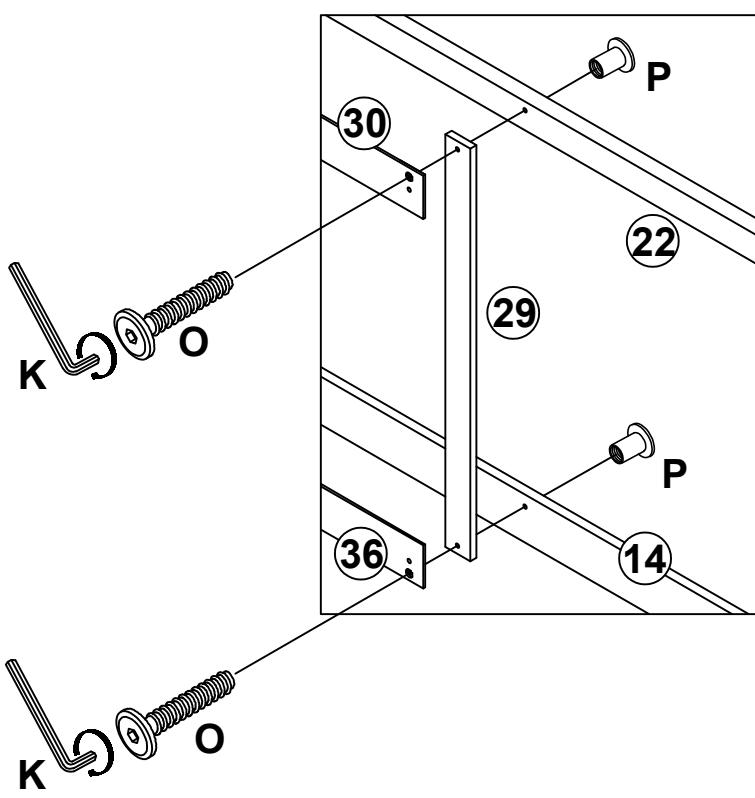
Step 9

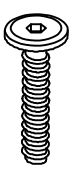
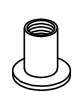


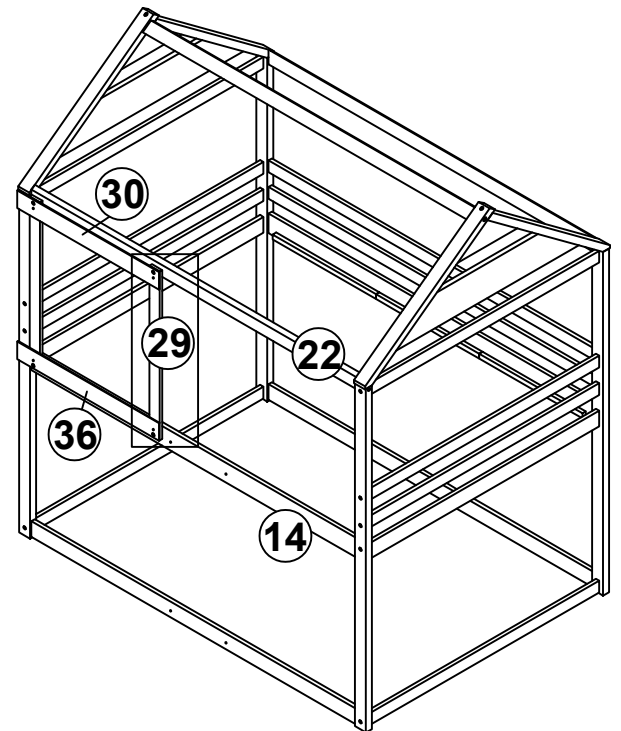
B		D	
	4pcs		4pcs



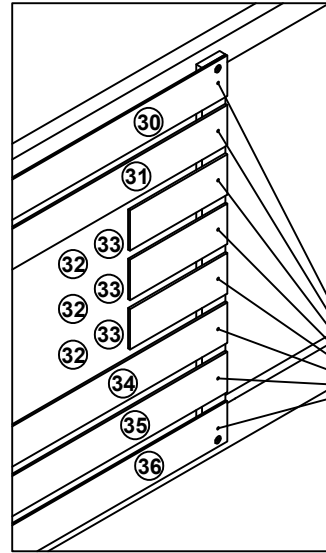
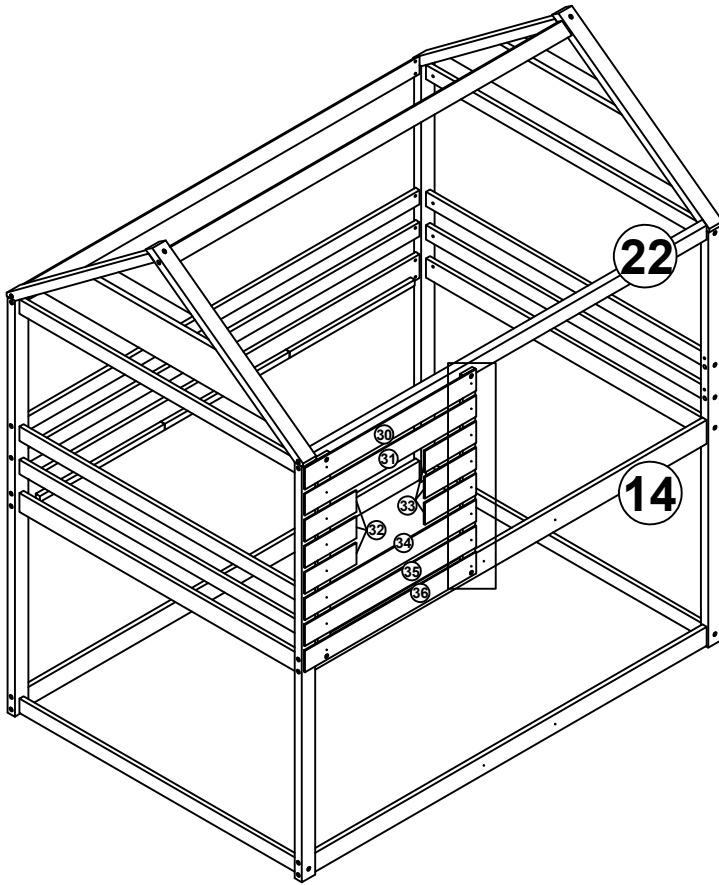
Step 10



O		P	
	4pcs		4pcs



Step 11



J

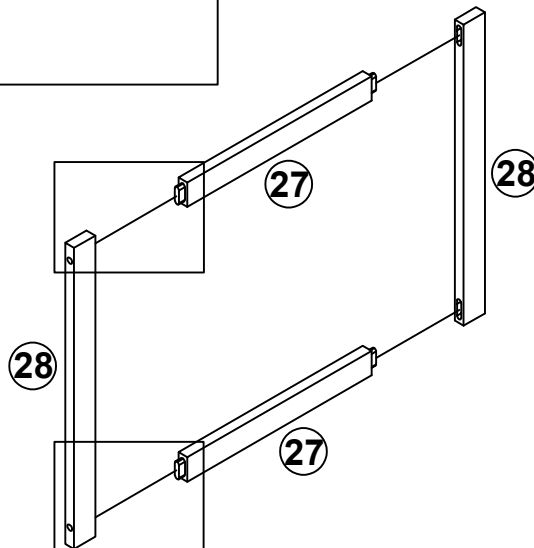
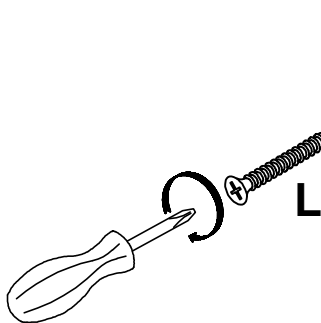
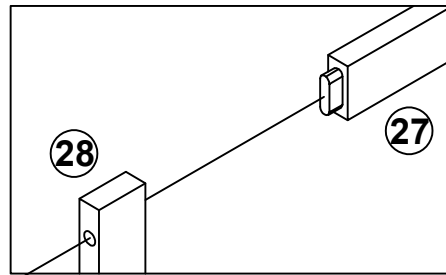


16pcs

J



Step 12



L



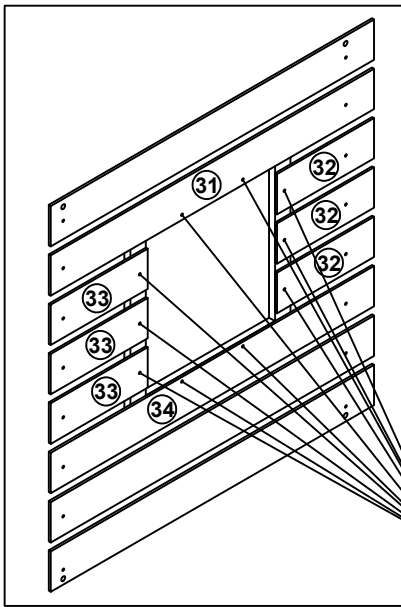
4pcs

Step 13

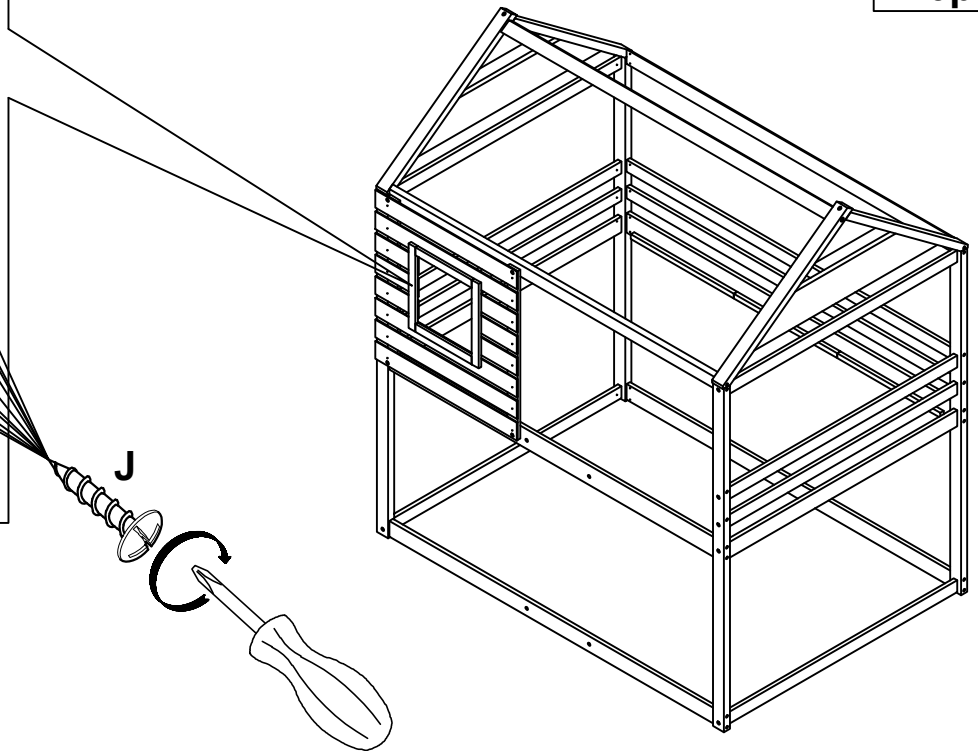
J



10pcs

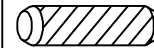


Note : Back side



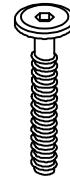
Step 14

A



12pcs

M

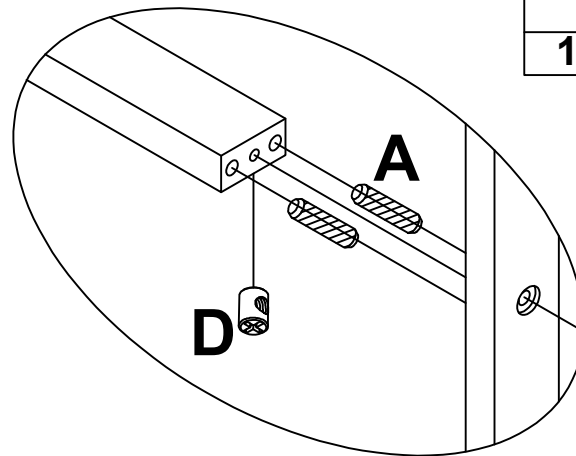
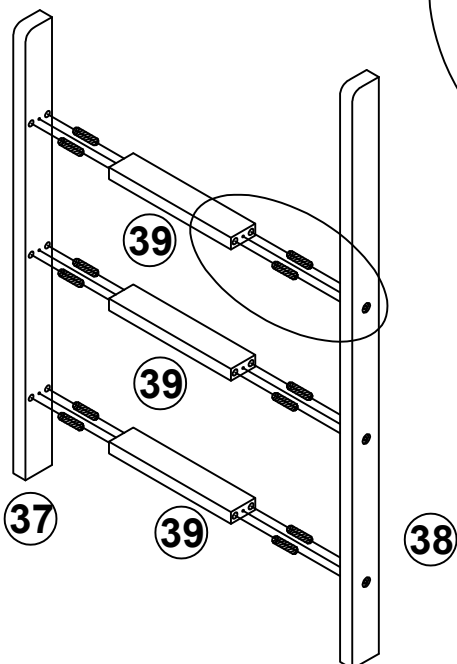


6pcs

D



6pcs

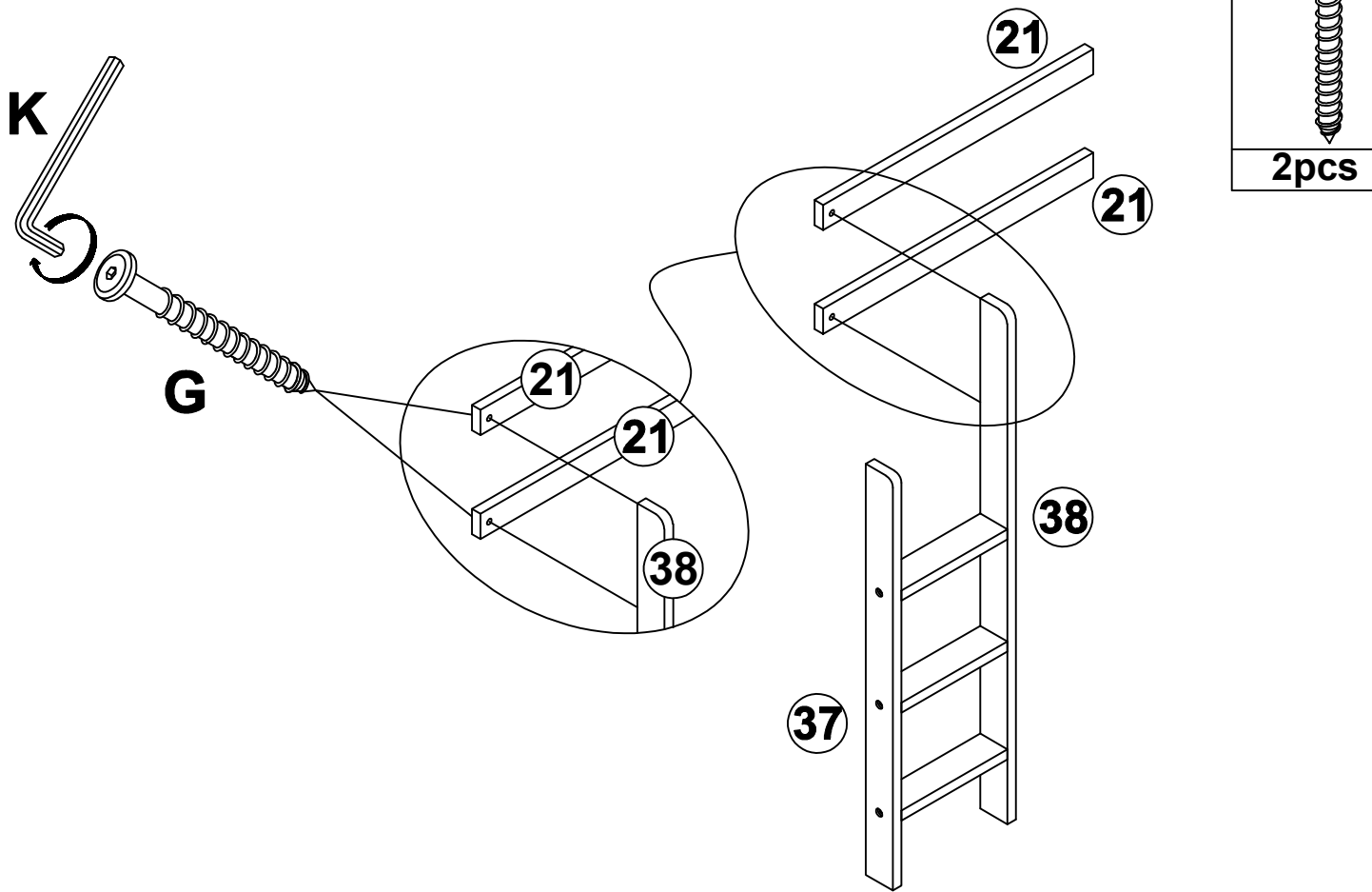


M

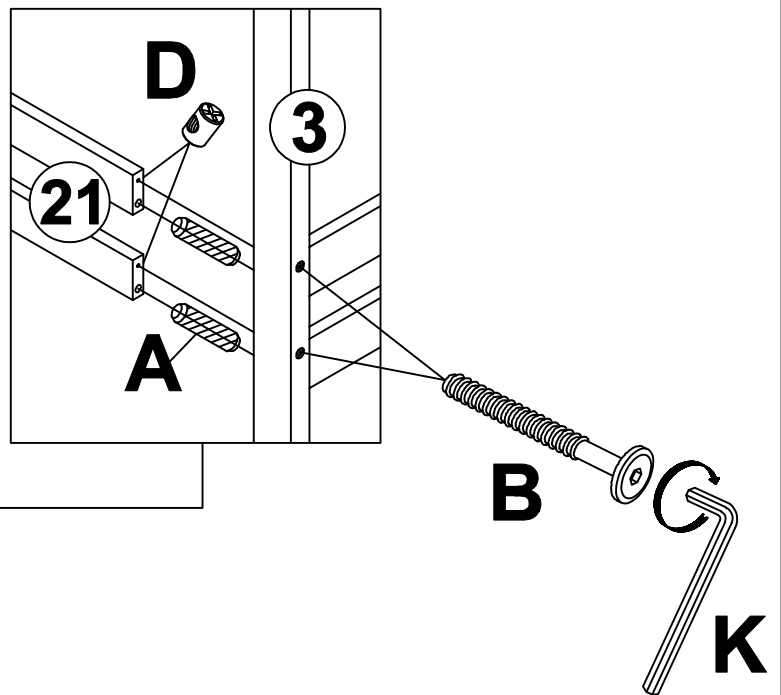
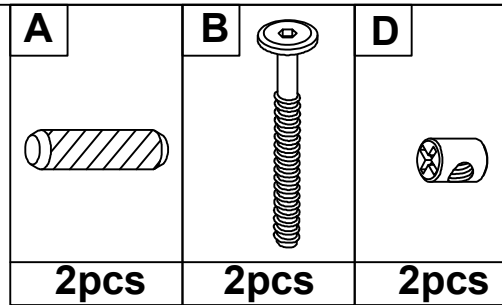
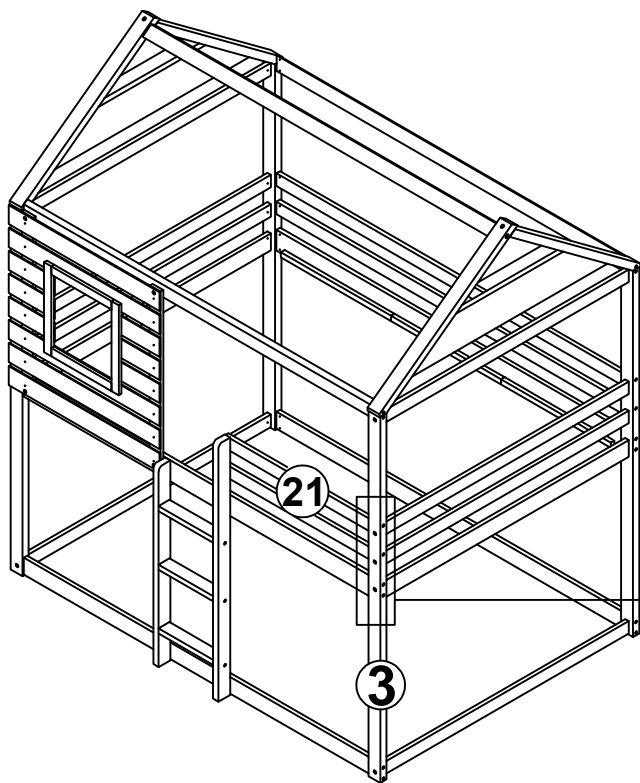


K

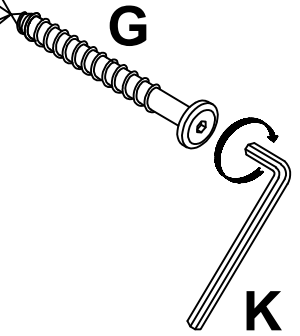
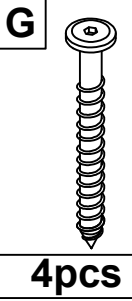
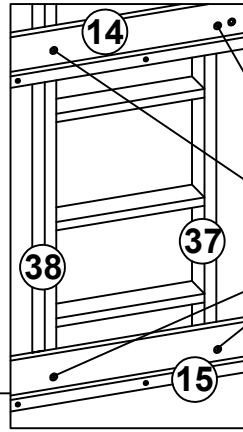
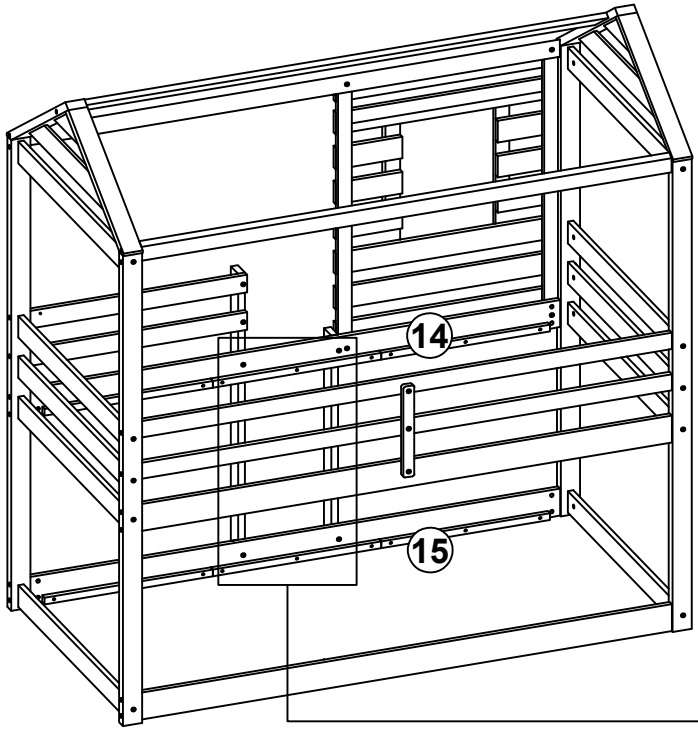
Step 15



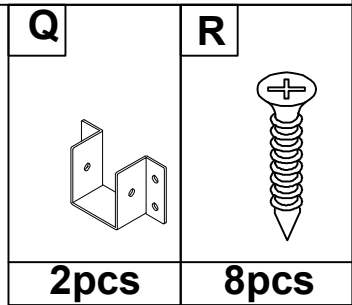
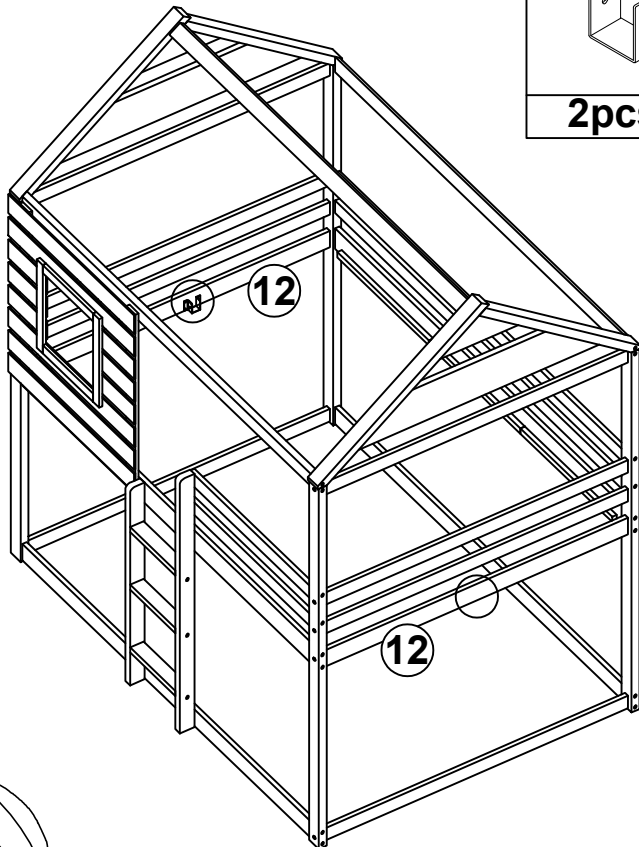
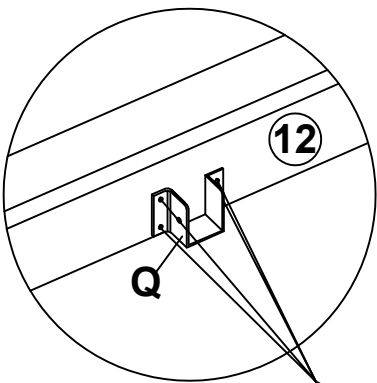
Step 16



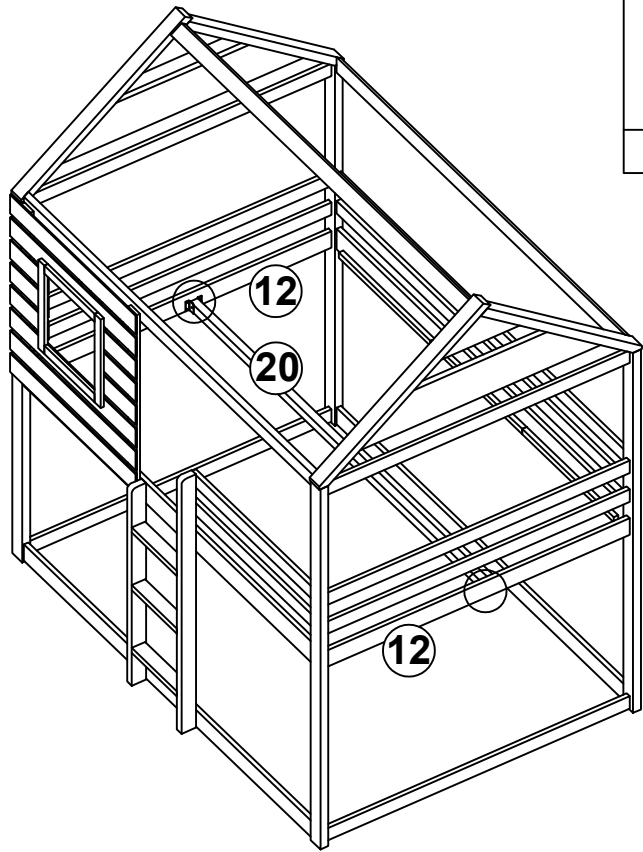
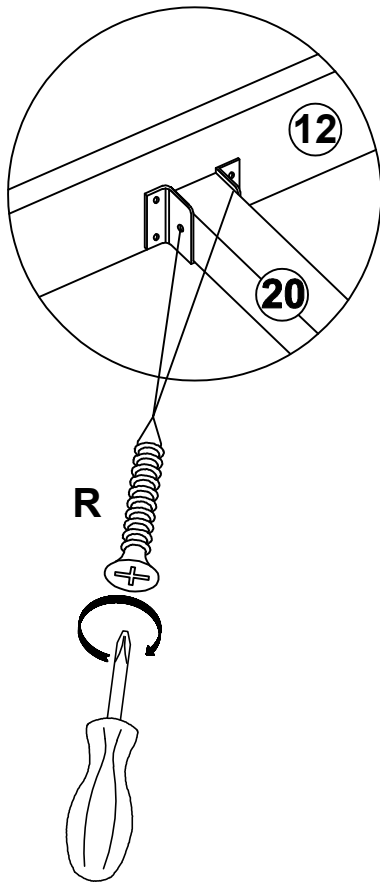
Step 17



Step 18



Step 19

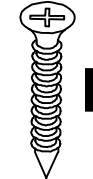
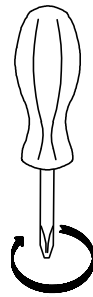
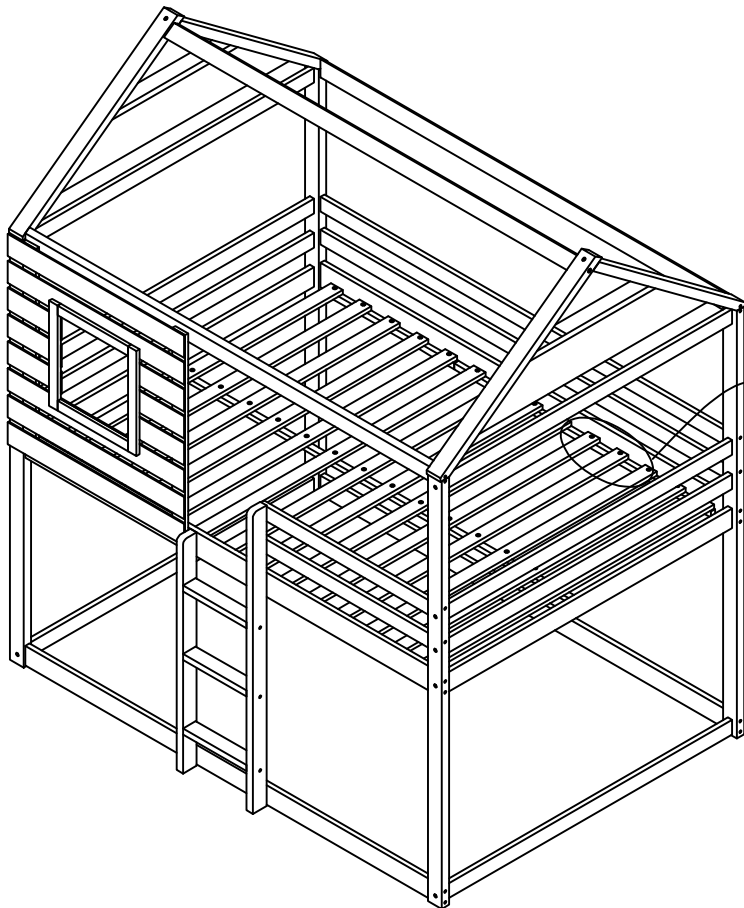


R



4pcs

Step 20

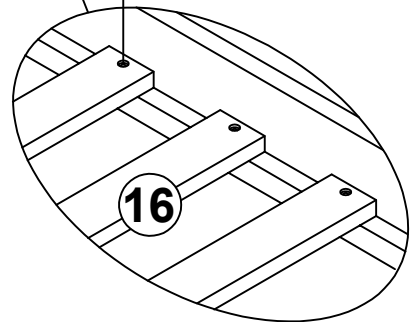


N

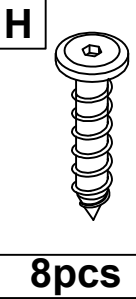
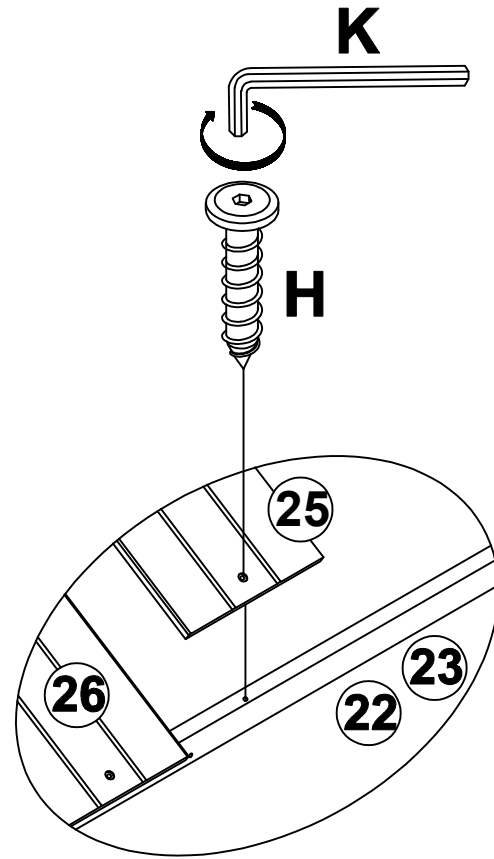
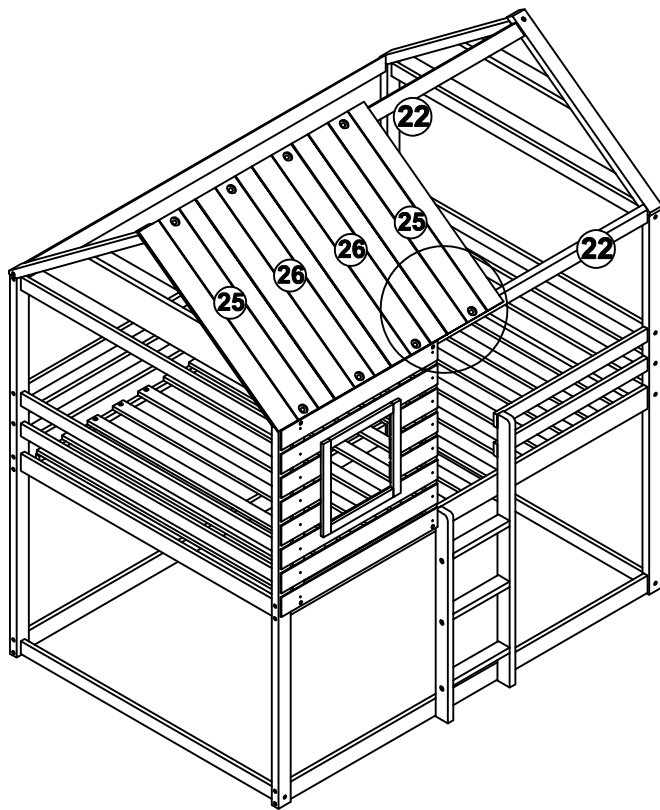
N



42pcs

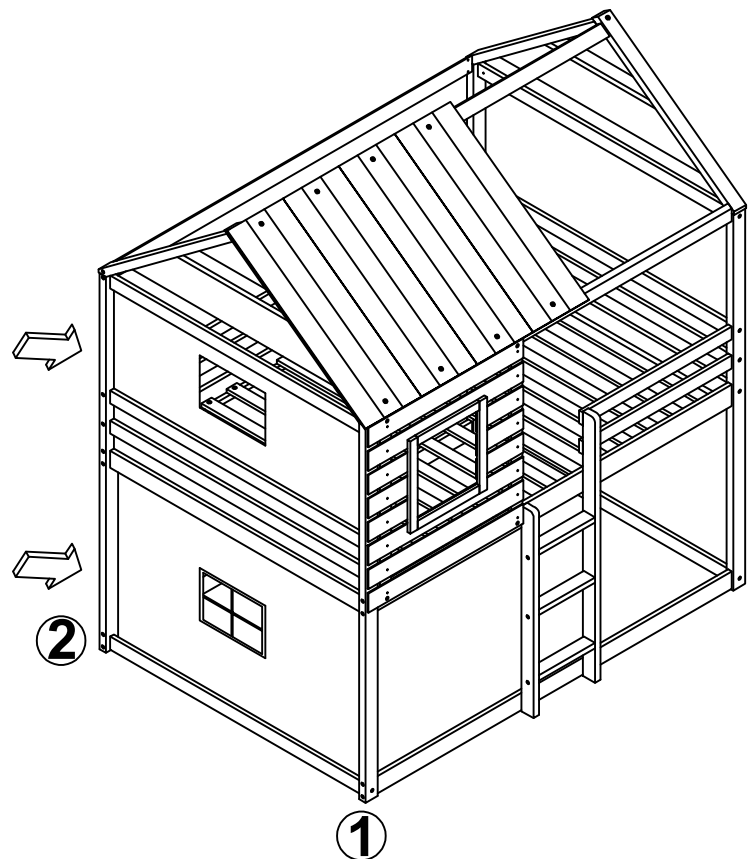


Step 21

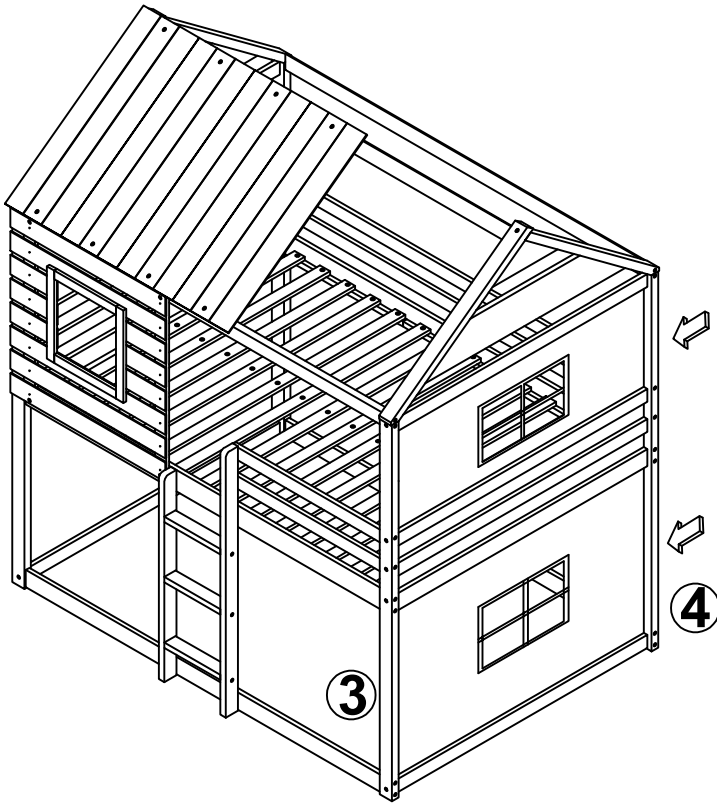


Step 22

Note: Use fabric details (40)-(41). Align both sides of the fabric evenly then secure them by tying them with detail pins (1) and (2).



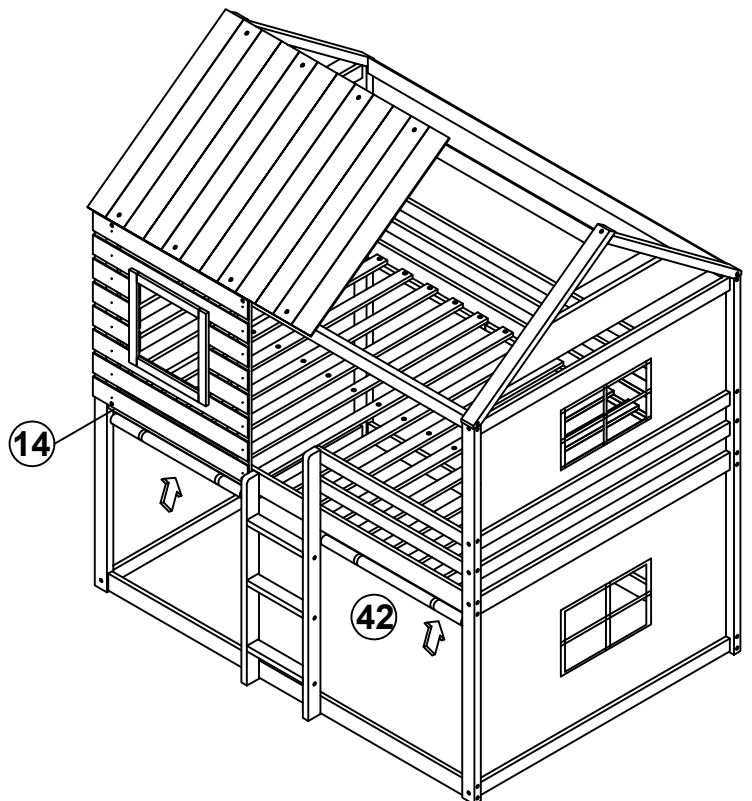
Step 23



Note: Use fabric details (40)-(41). Align both sides of the fabric evenly then secure them by tying them with detail pins (3) and (4).

Step 24

Note: Use fabric details (42). Align both sides of the fabric evenly then secure them by tying them with detail pins (14). The fabric can be rolled up or dropped depending on preference



COMPLETED

