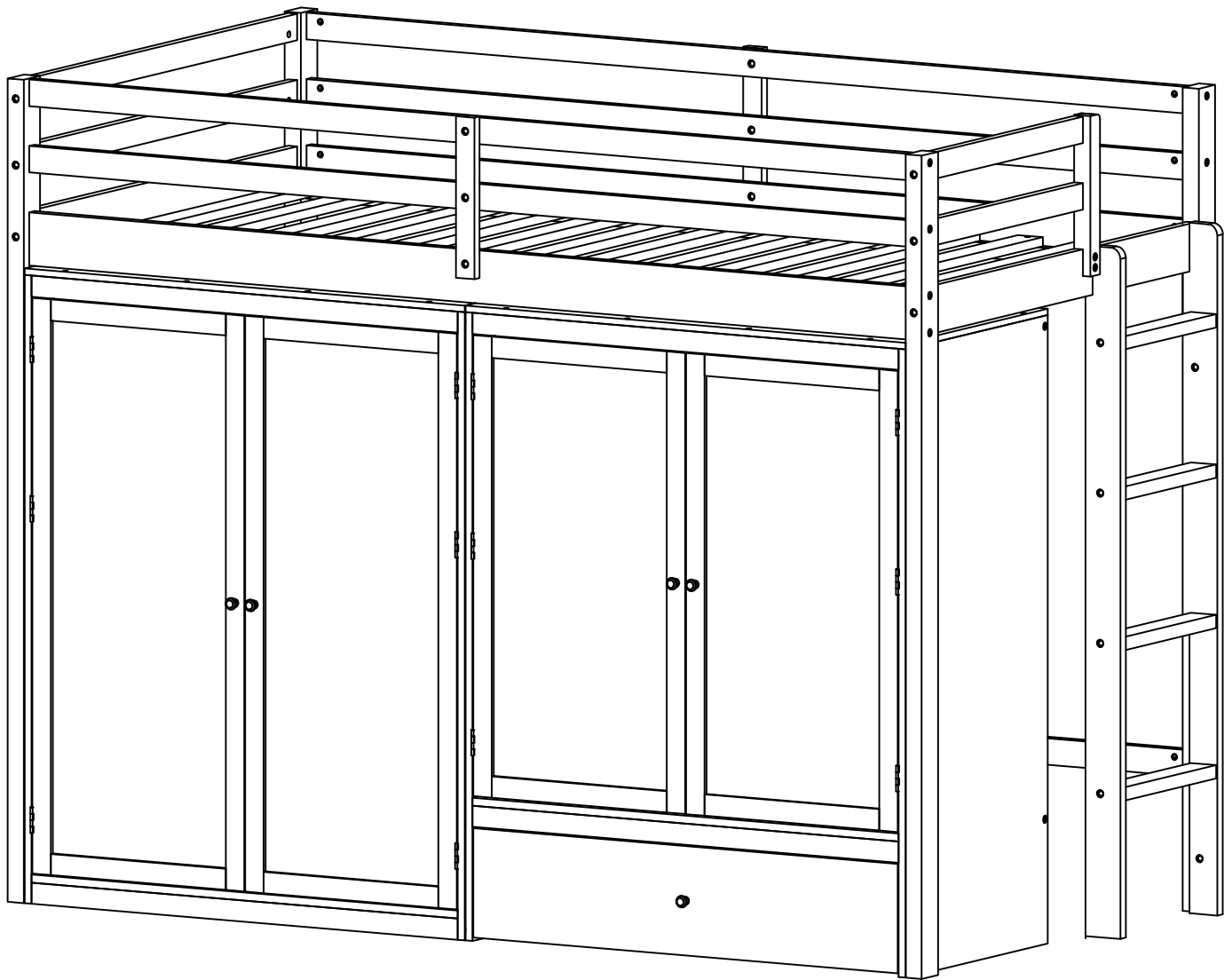


# ASSEMBLY INSTRUCTION

SKU CODE: WF318810/WF318811/WF318812





# **SAFETY WARNINGS**

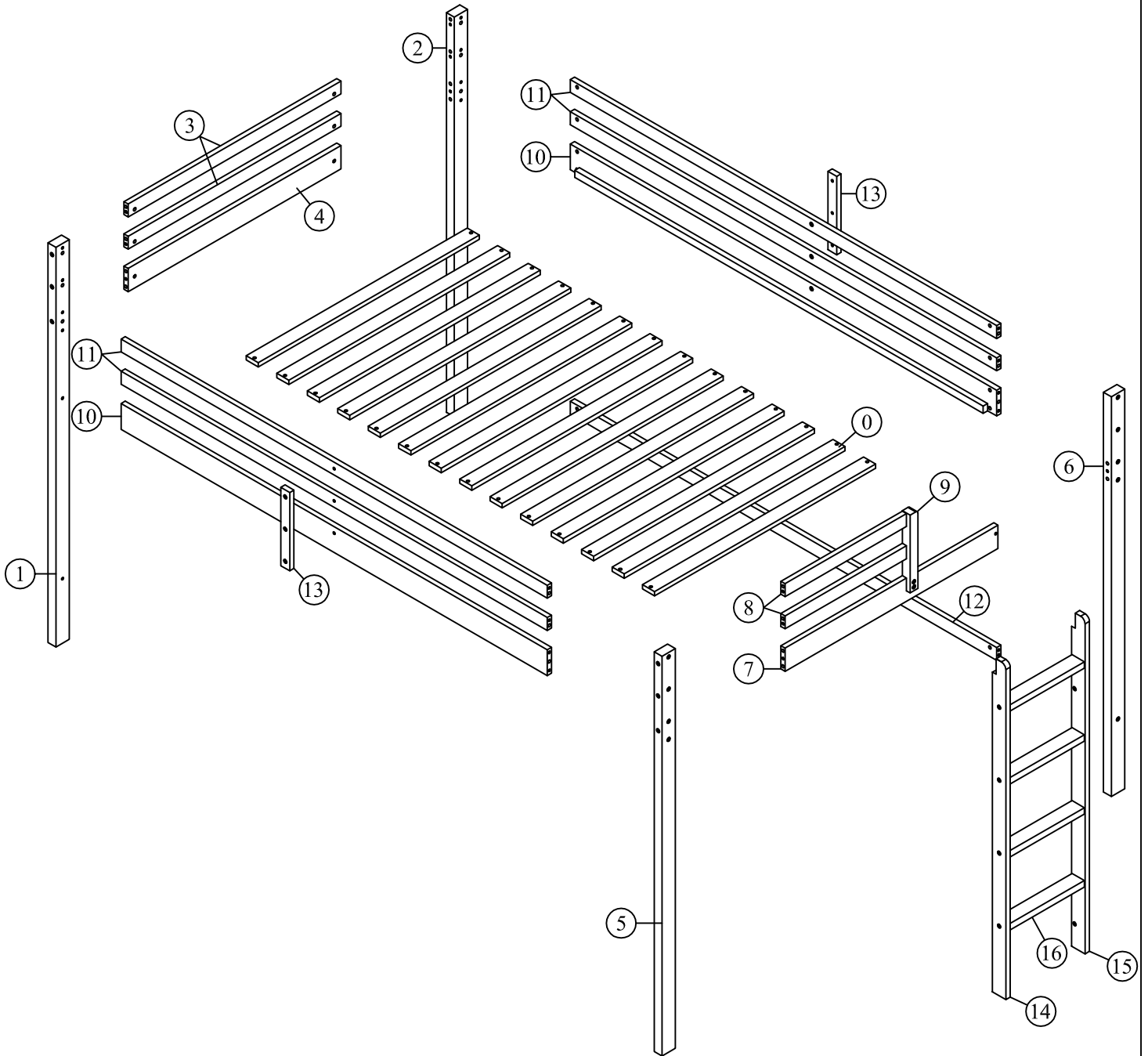


1. This bed is designed for use only mattress(es) meeting the following specifications on the bed:

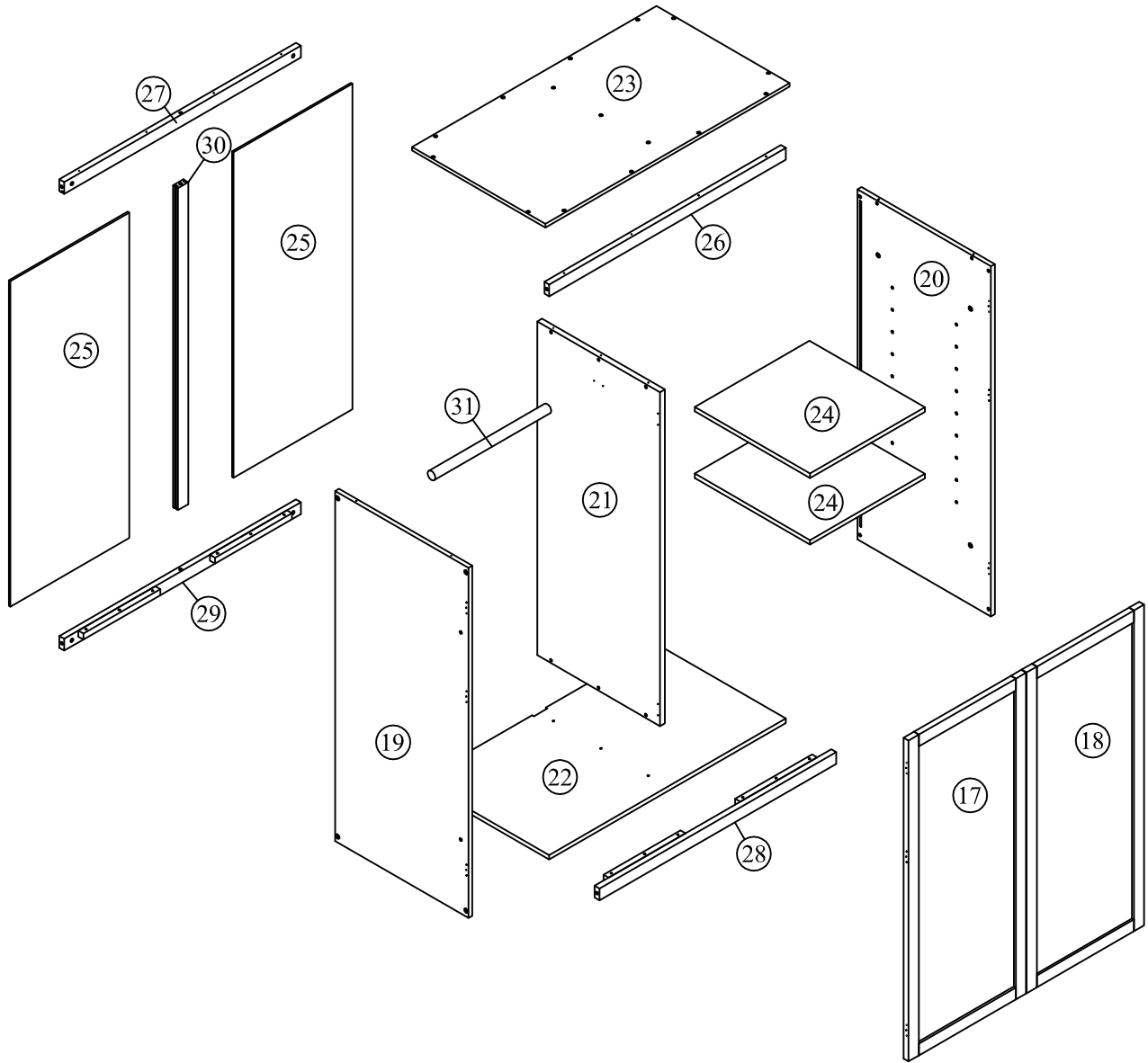
<b>Bed Type</b>	<b>Length</b>	<b>Width</b>	<b>Thickness</b>
<b><i>Twin Standard</i></b>	<b>74"-75"</b>	<b>37 1/2"- 38"</b>	<b>6" max</b>

2. Replacement parts, including additional guardrails, maybe obtained from any of our (GIGACLOUDTECHNOLOGY (USA) INC. 18961 ARENTH AVENUE CITY OF INDUSTRY, CA, 91748) dealers.
3. Follow the information on the warnings appearing on the upper bunk bed end structure and on the carton. Do not remove warning label from bed.
4. Always use the recommended size mattresses or mattress supports, or both, to help prevent the likelihood of entrapment or falls.
5. Surface of the mattress must be at least 5". (127 mm) below the upper edge of guardrails.
6. Do not allow children under 6 years of age to use the upper bunk.
7. Periodically check and ensure that the guardrail, ladder, and other components are in theirproper position, free from damage, and that all connectors are tight.
8. Do not allow horseplay on or under the bed and prohibit jumping on the bed
9. Always use the ladder for entering and leaving the upper bunk.
10. Do not use substitute parts. Contact the manufacturer or dealer for replacement parts.
11. Use of a night light may provided added safety precaution for a child using the upper bunk.
12. Always use guardrails on both long sides of the upper bunk. If the bunk bed will be placed next to the wall, the guardrail that runs the full length of the bed should be placed against the wall to prevententrapment between the bed and wall.
13. The use of water or sleep flotation mattresses is prohibited.
14. STRANGULATION HAZARD - Never attach or hang items to any part of the bunk bed that are notdesigned for use with the bed; for example, but not limited to, hook, belts and jump ropes.
15. Keep these instructions for future reference
16. Prohibit more than one person on upper bunk.
17. We recommend assembling your bunk bed on the shipping carton to protect your floor or carpet.
18. Be certain all staples are out of the box before beginning assembly on the shipping carton.

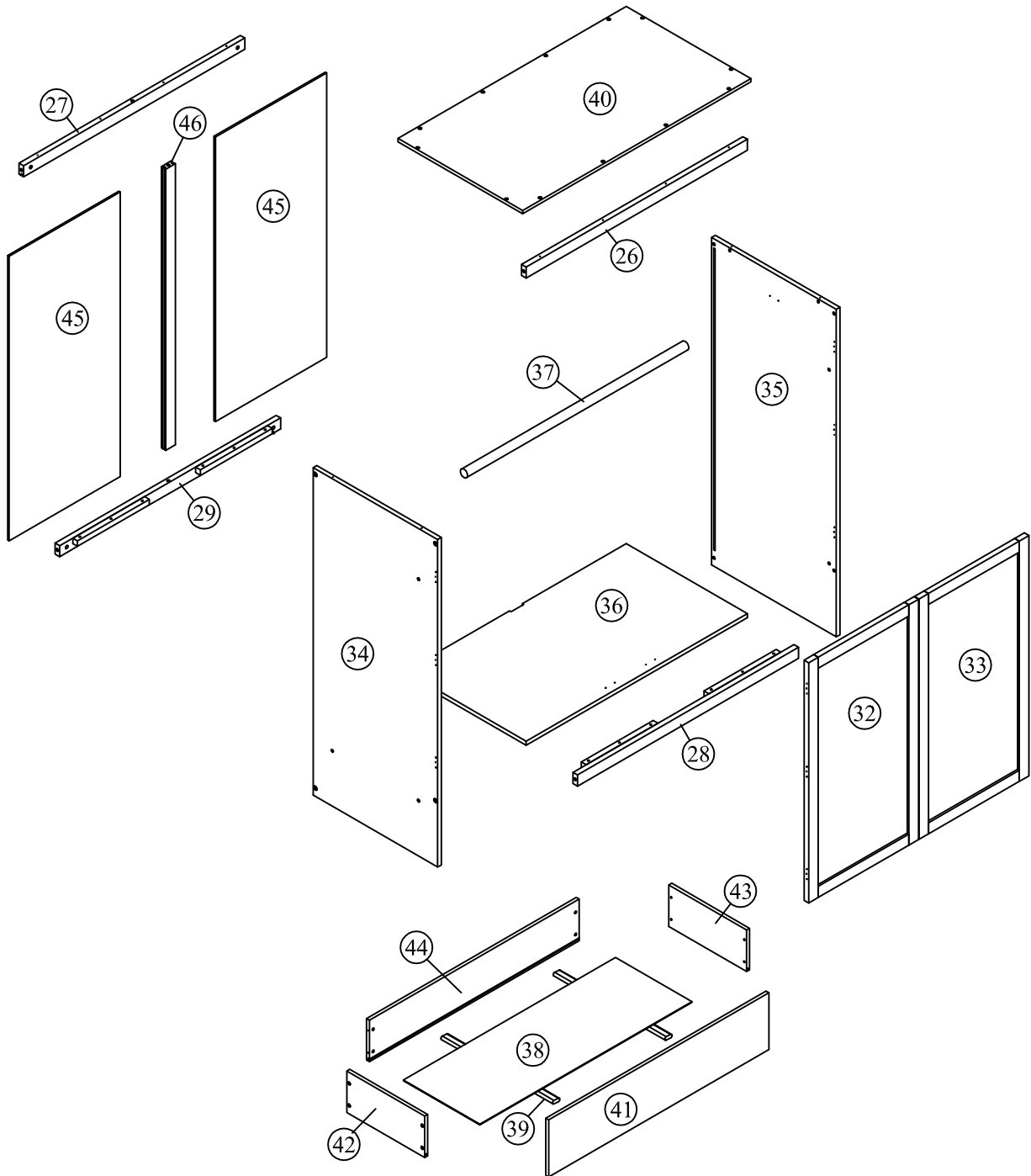
# Detail view



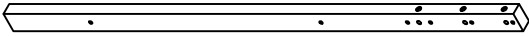
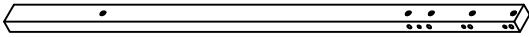
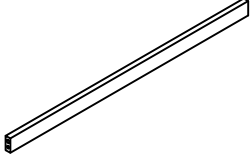
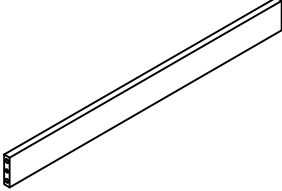
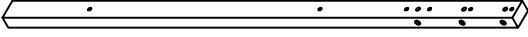
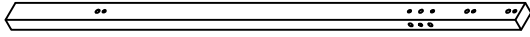
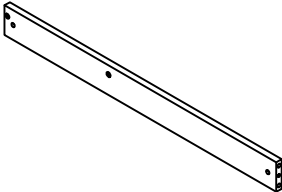
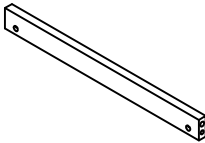
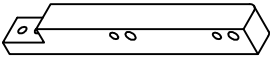
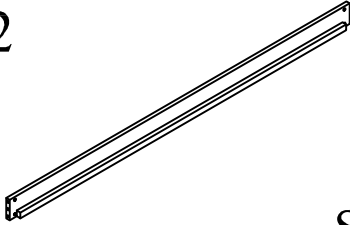
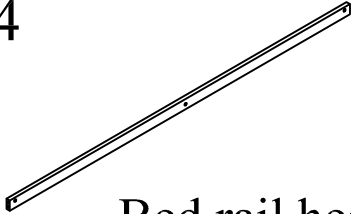
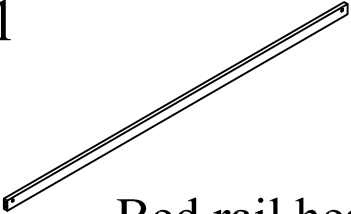
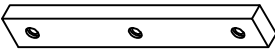
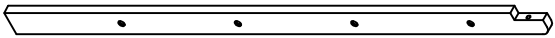
# Detail view



# Detail view

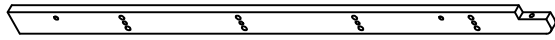


## Part List (WF318810)

<p>① x1</p>  <p style="text-align: center;">Leg bed</p>	<p>② x1</p>  <p style="text-align: center;">Leg bed</p>
<p>③ x2</p>  <p style="text-align: center;">Bed rail footboard</p>	<p>④ x1</p>  <p style="text-align: center;">Bed rail footboard</p>
<p>⑤ x1</p>  <p style="text-align: center;">Leg bed</p>	<p>⑥ x1</p>  <p style="text-align: center;">Leg bed</p>
<p>⑦ x1</p>  <p style="text-align: center;">Bed rail headboard</p>	<p>⑧ x2</p>  <p style="text-align: center;">Bed rail headboard</p>
<p>⑨ x1</p>  <p style="text-align: center;">Hand rail</p>	<p>⑩ x2</p>  <p style="text-align: center;">Side rail</p>
<p>⑪ x4</p>  <p style="text-align: center;">Bed rail headboard</p>	<p>⑫ x1</p>  <p style="text-align: center;">Bed rail headboard</p>
<p>⑬ x2</p>  <p style="text-align: center;">Support side rail</p>	<p>⑭ x1</p>  <p style="text-align: center;">Leg stair</p>

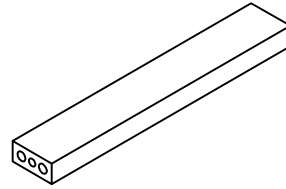
# Part List (WF318810)

15 x1



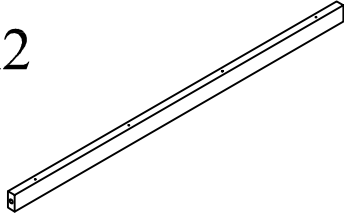
Leg stair

16 x4



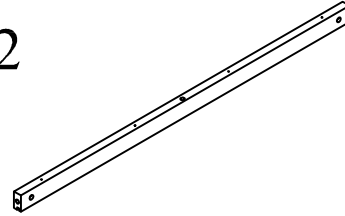
Step stair

26 x2



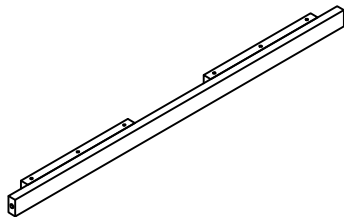
Wardrobe horizontal bar

27 x2



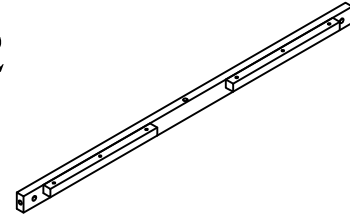
Wardrobe horizontal bar

28 x2



Wardrobe horizontal bar

29 x2



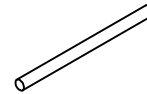
Wardrobe horizontal bar

30 x1



Frame back wardrobe

31 x1



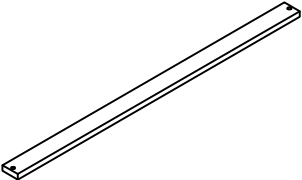
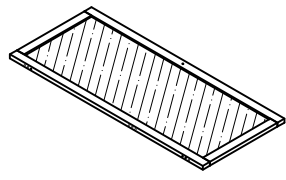
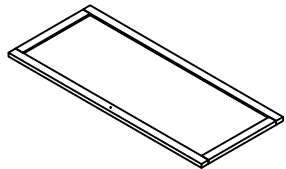

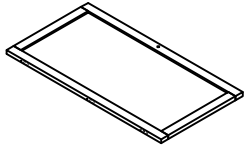
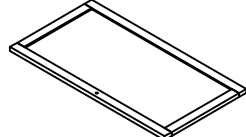
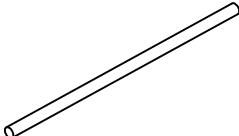
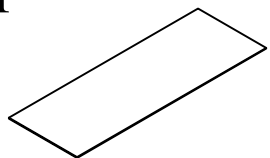
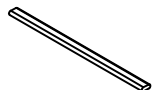
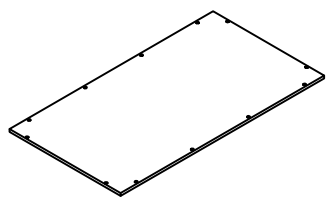
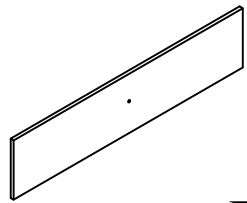
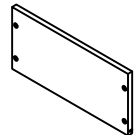
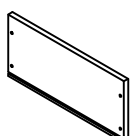
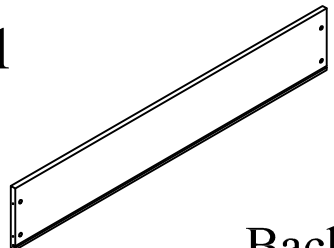
Hanging bar

46 x1



Frame back wardrobe

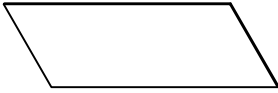
## Part List (WF318811)

<p>①0 x14</p>  <p style="text-align: center;">Slats</p>	<p>①7 x1</p>  <p style="text-align: center;">Door</p>
<p>①8 x1</p>  <p style="text-align: center;">Door</p>	<p>②5 x2</p>  <p style="text-align: center;">Wardrobe back</p>
<p>③2 x1</p>  <p style="text-align: center;">Door</p>	<p>③3 x1</p>  <p style="text-align: center;">Door</p>
<p>③7 x1</p>  <p style="text-align: center;">Hanging bar</p>	<p>③8 x1</p>  <p style="text-align: center;">Bottom drawer</p>
<p>③9 x2</p>  <p style="text-align: center;">Support drawer</p>	<p>④0 x1</p>  <p style="text-align: center;">Wardrobe top</p>
<p>④1 x1</p>  <p style="text-align: center;">Front drawer</p>	<p>④2 x1</p>  <p style="text-align: center;">Side drawer</p>
<p>④3 x1</p>  <p style="text-align: center;">Side drawer</p>	<p>④4 x1</p>  <p style="text-align: center;">Back drawer</p>



# Part List (WF318811)

45 x2



Wardrobe back

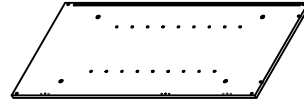
# Part List (WF318812)

①9 x1



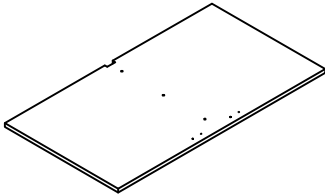
Wardrobe side

②0 x1



Wardrobe side

②2 x1



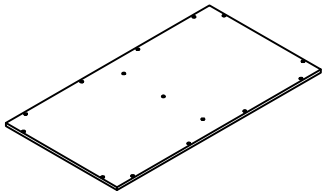
Wardrobe bottom

②1 x1



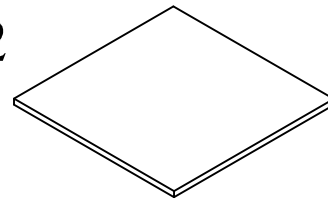
Wardrobe side

②3 x1



Wardrobe top

②4 x2



Wardrobe shelf

③4 x1



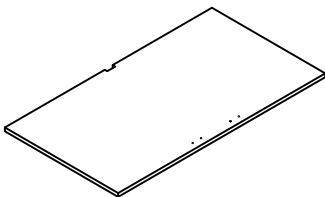
Wardrobe side

③5 x1




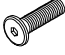
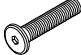
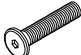








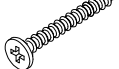
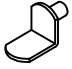




Wardrobe side

③6 x1





Wardrobe bottom

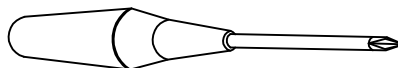
## Hardware List (WF318811)

No.	OUTLOOK	DESC	QTY
(A)		Dowel Ø10*40mm	46
(B)		Bolts 1/4"*20mm	4
(C)		Bolts 1/4"*25mm	8
(D)		Bolts 1/4"*40mm	8
(E)		Bolts 1/4"*60mm	16
(F)		Bolts 1/4"*70mm	32
(G)		Bolts 1/4"*100mm	10
(H)		Cross dowel 1/4" * 13mm	58
(I)		Hex bolts 1/4" * 20mm	12
(J)		Screws #7*12mm	16
(K)		Screws #7*15mm	84
(L)		Screws #8*30mm	70
(M)		Screws #8*35mm	30
(N)		Base L	8
(O)		Door Hinge	12
(P)		Knob	5
(Q)		Inhaler Magnet	6
(R)		Allen key 60*22*4mm	1

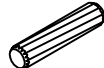



# Hardware List (WF318811)

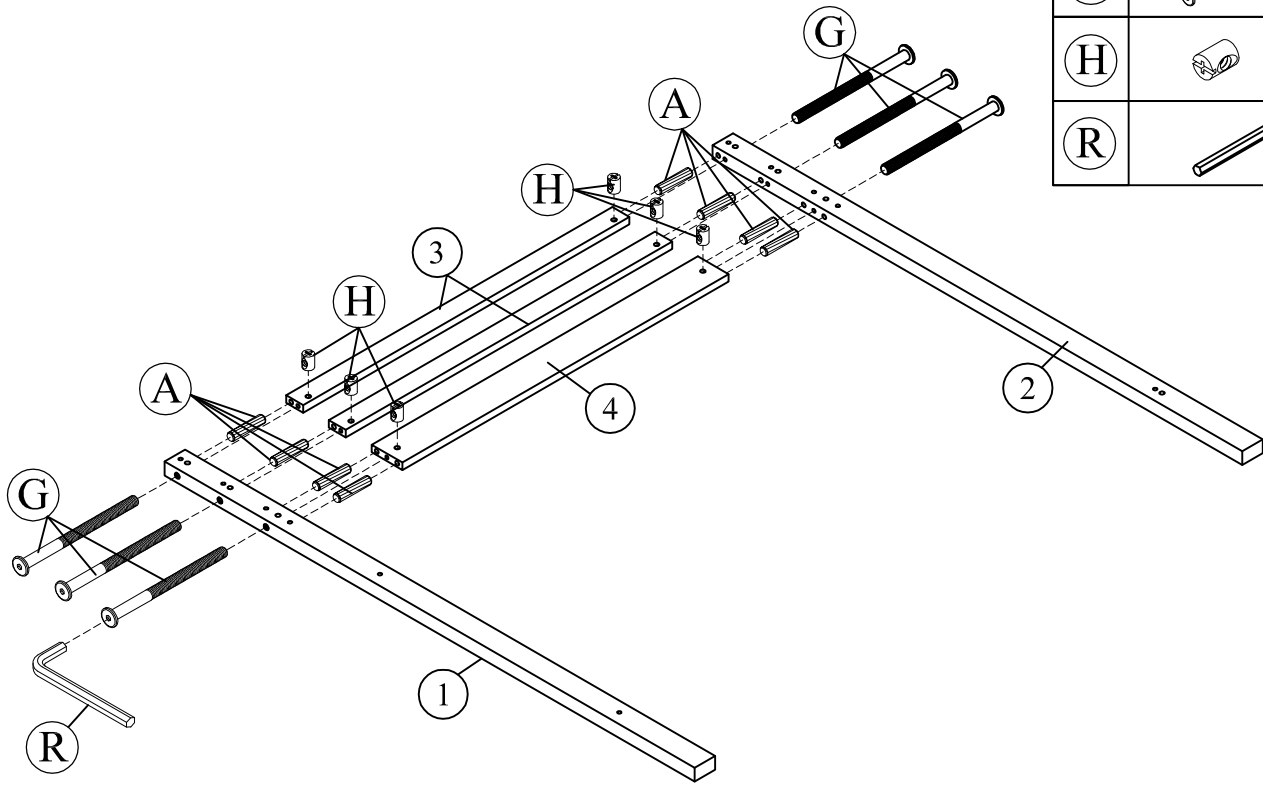
No.	OUTLOOK	DESC	QTY
(S)		Dowel Ø10*40mm	4
(T)		Base L	2

ASSEMBLY TOOLS REQUIRED (NOT INCLUDED)

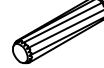








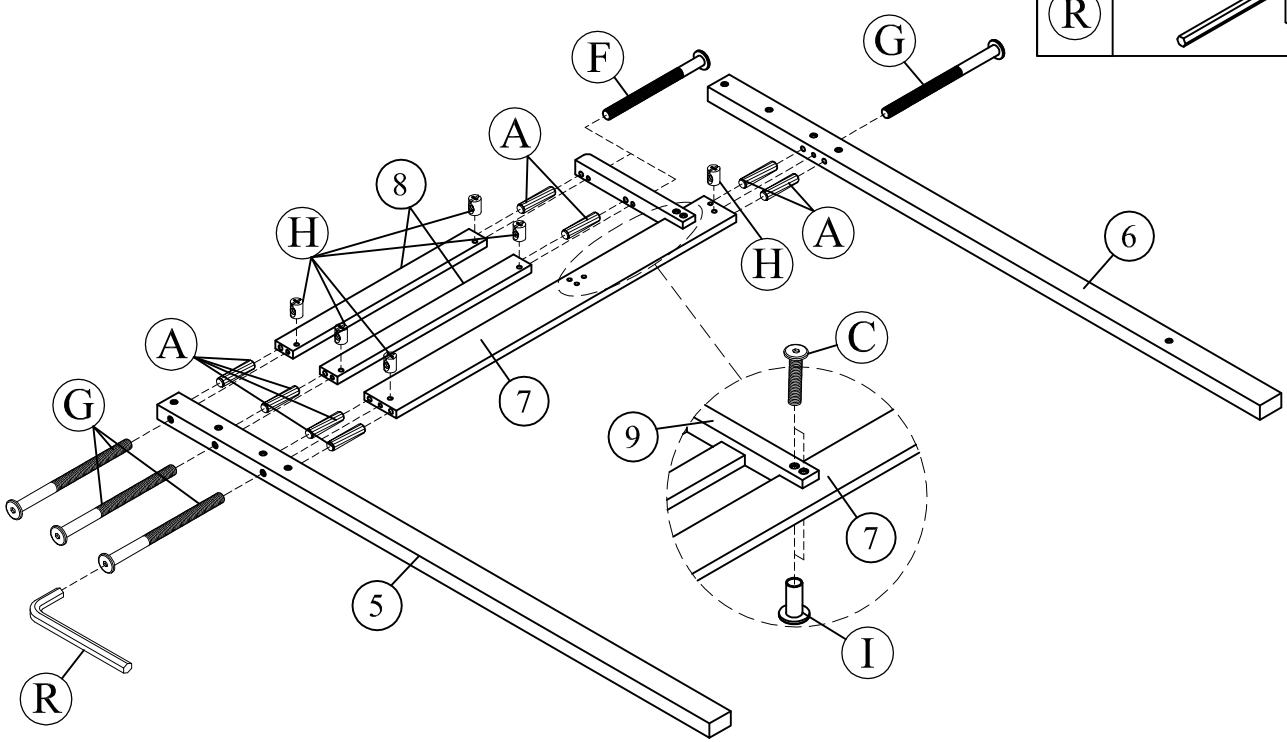
**STEP 1:**

(A)		08
(G)		06
(H)		06
(R)		01

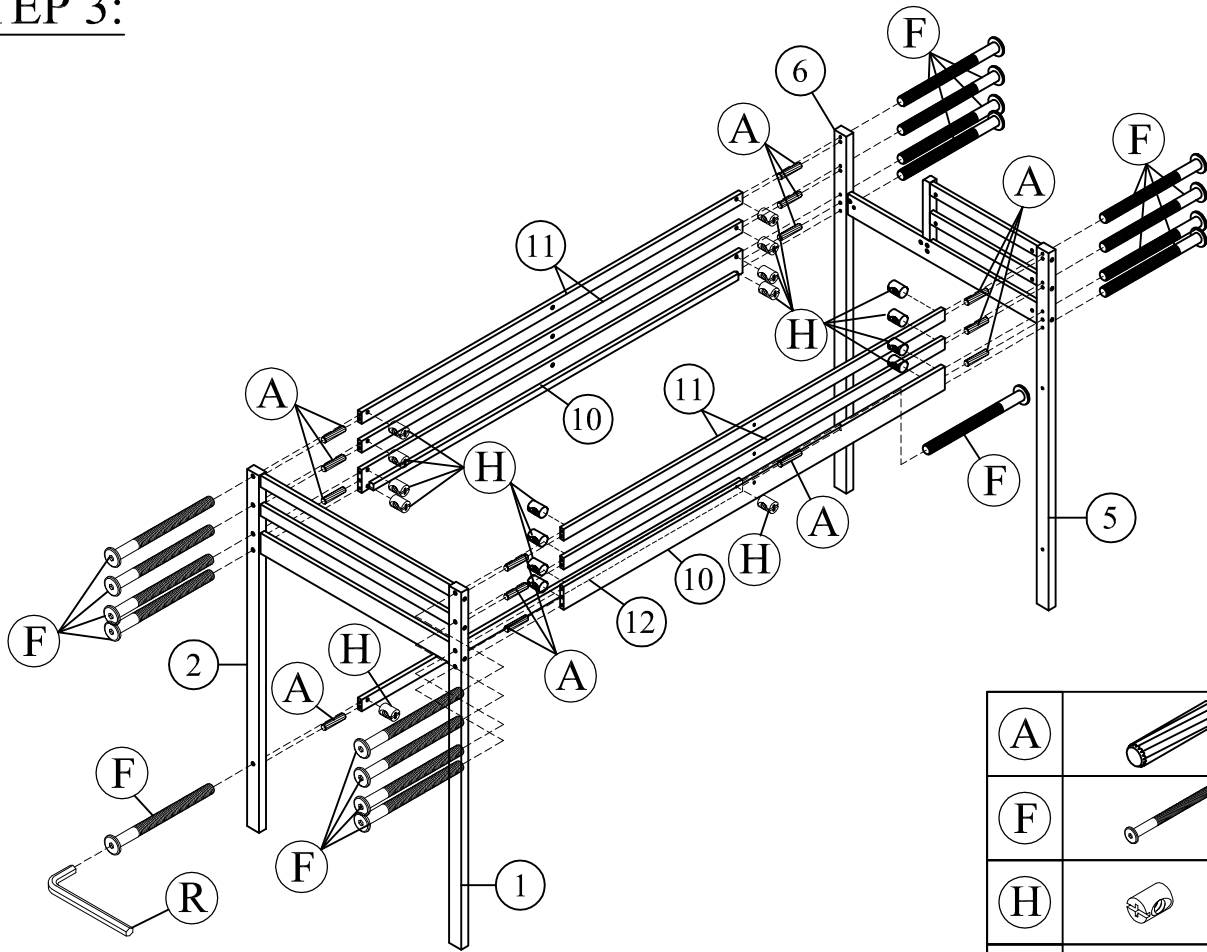


**STEP 2:**

(A)		08	(G)		04
(C)		02	(H)		06
(F)		02	(I)		02
			(R)		01

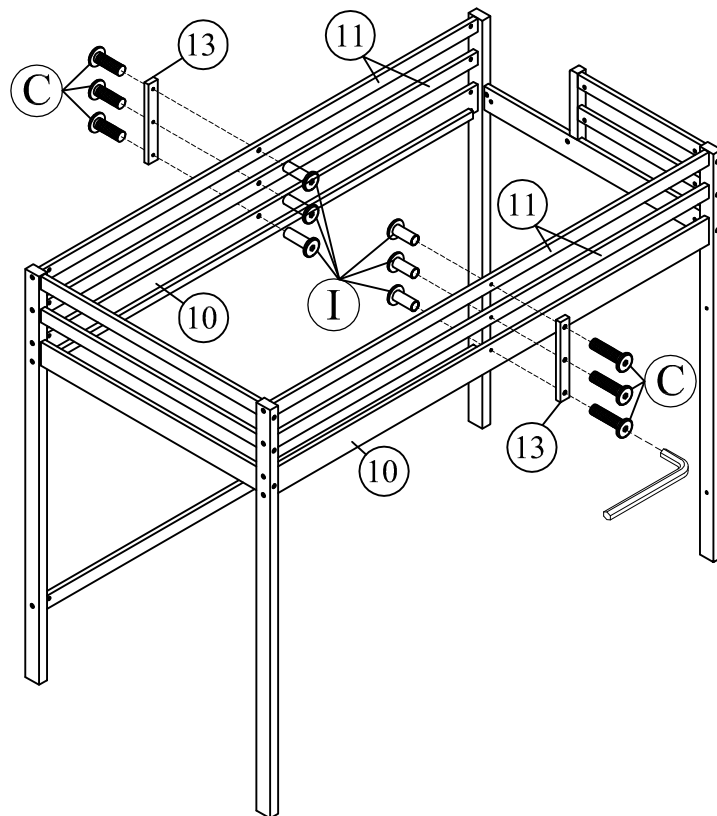


### STEP 3:

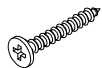


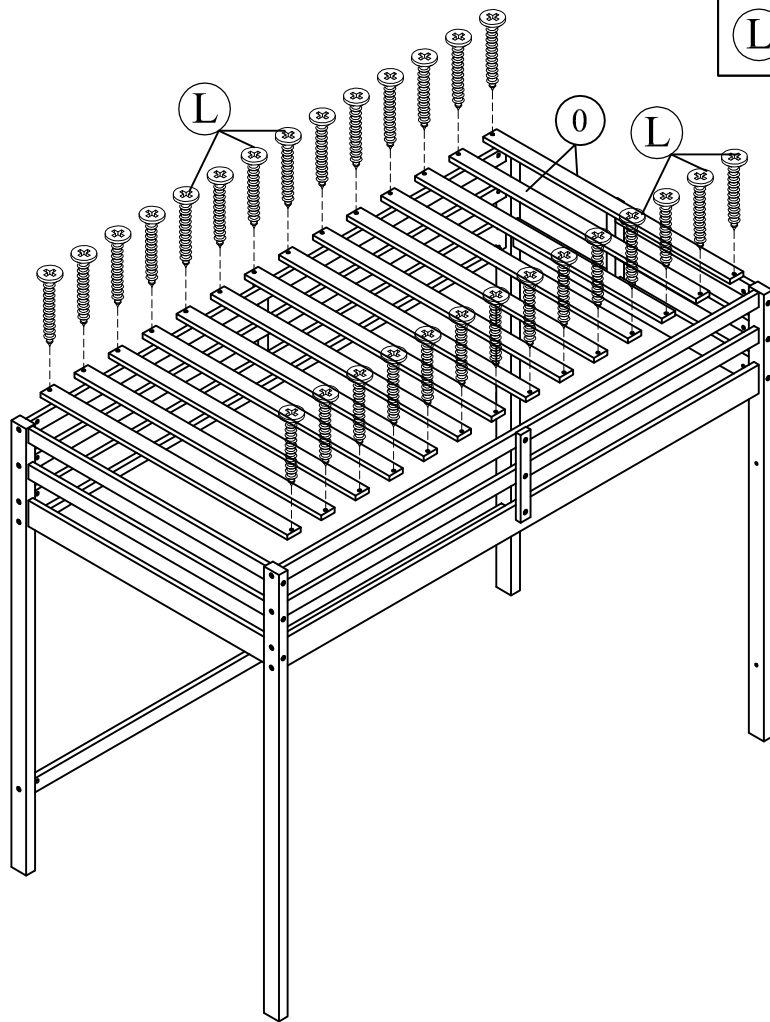
(A)		14
(F)		18
(H)		18
(R)		01
(C)		06
(I)		06

### STEP 4:

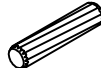





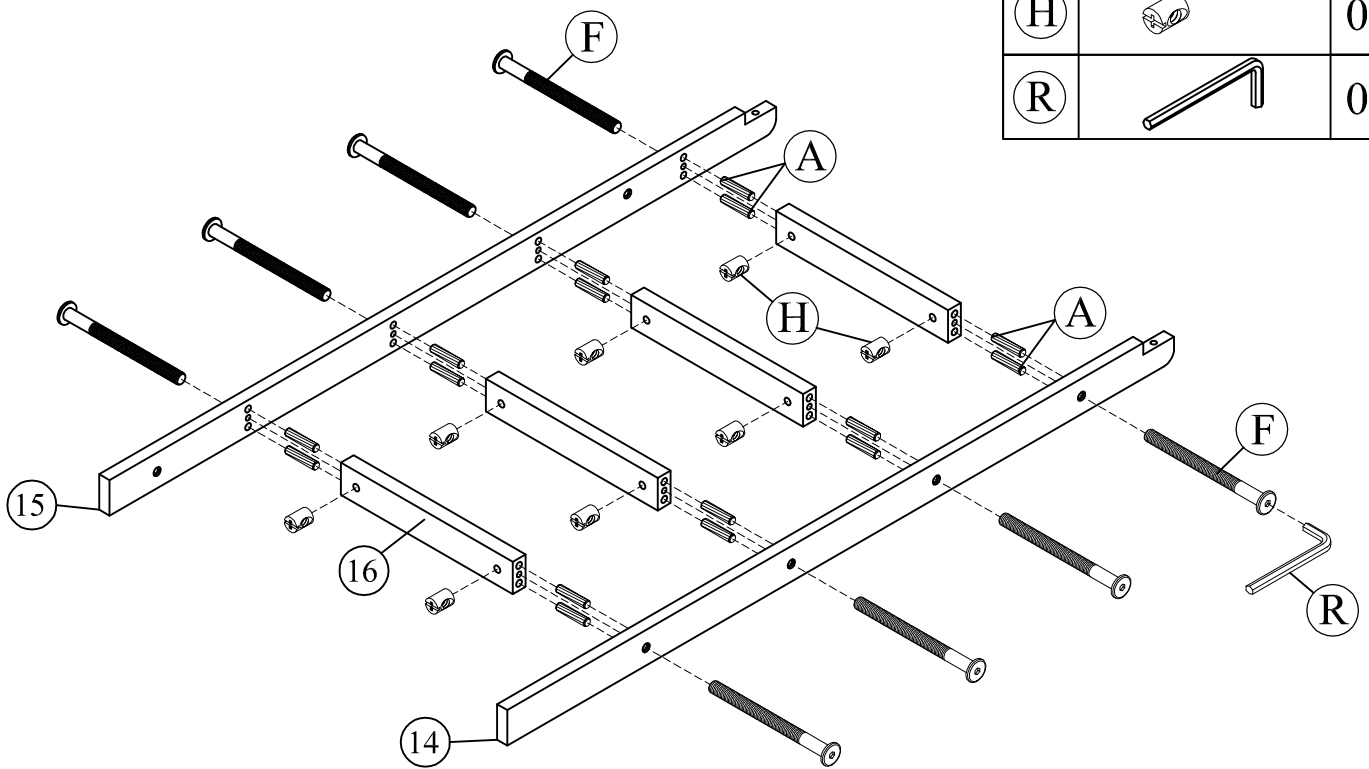
**STEP 5:**

(L)		28
-----	--	----

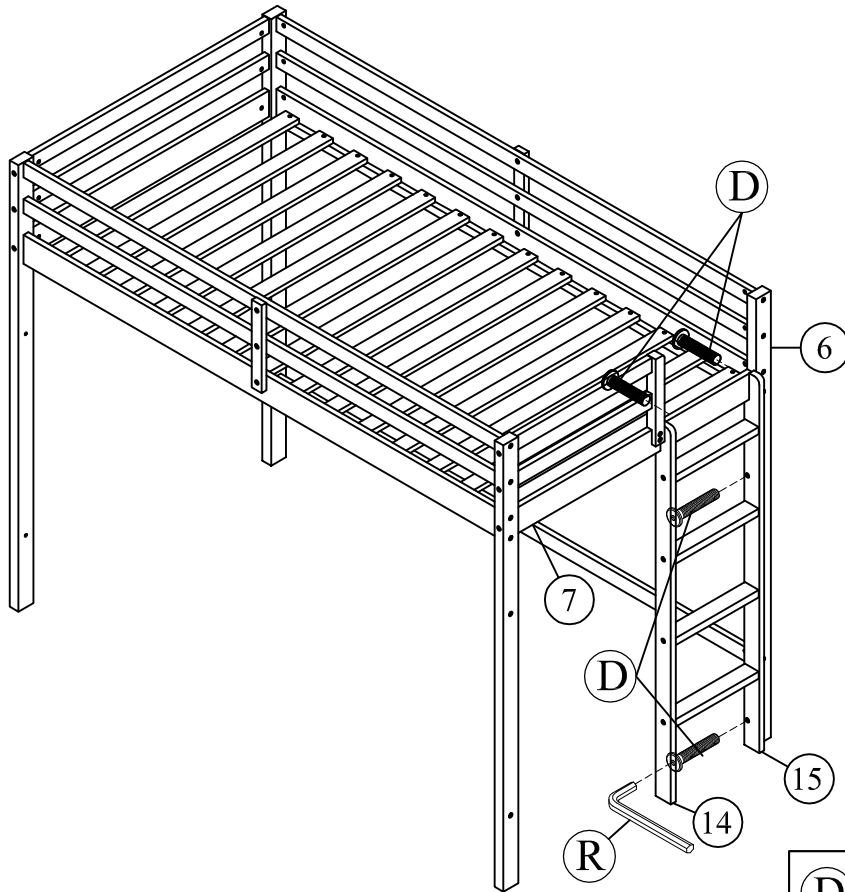




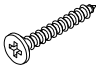

**STEP 6:**

(A)		16
(F)		08
(H)		08
(R)		01

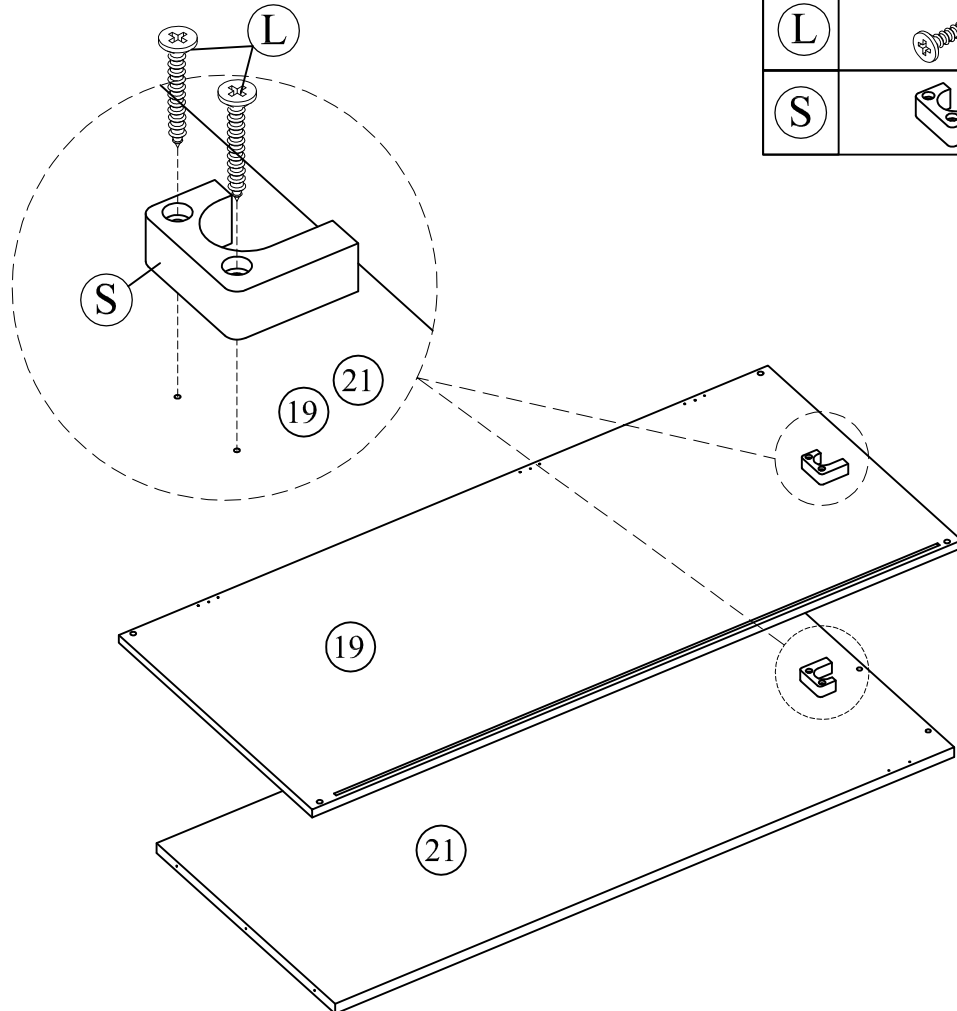


**STEP 7:**



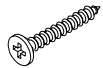
(D)		04
(R)		01
(L)		04
(S)		02

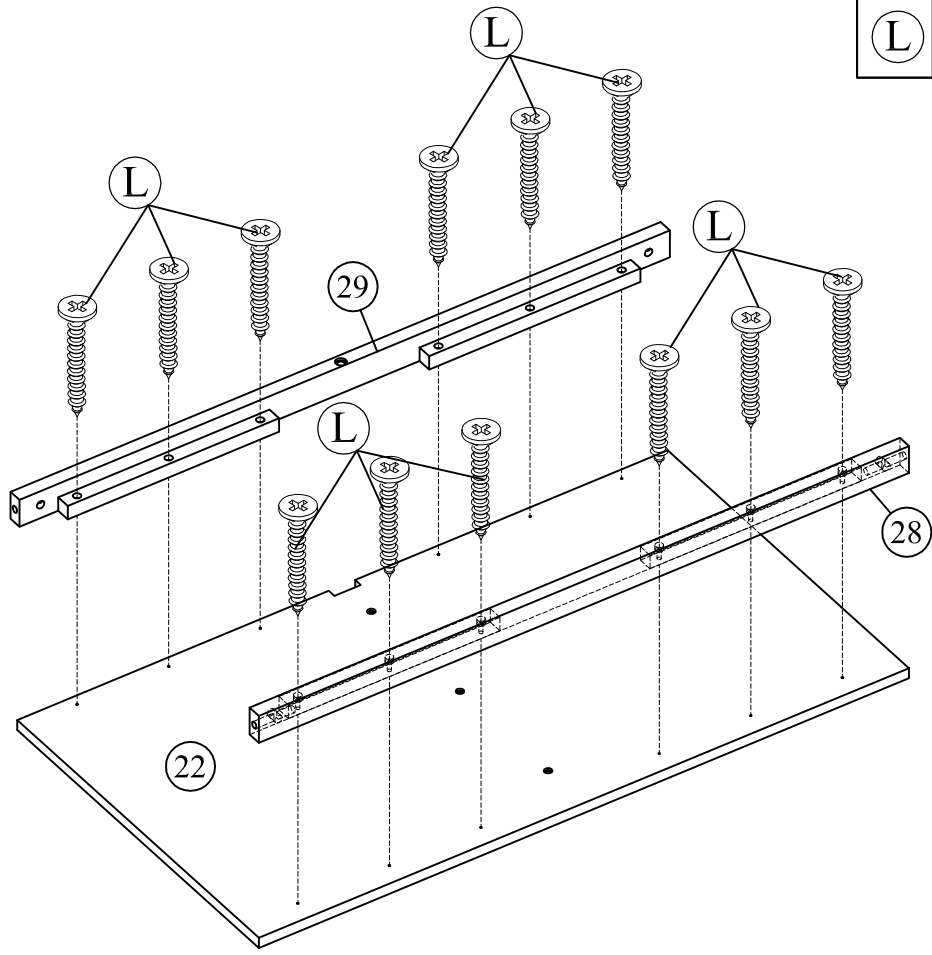
**STEP 8:**








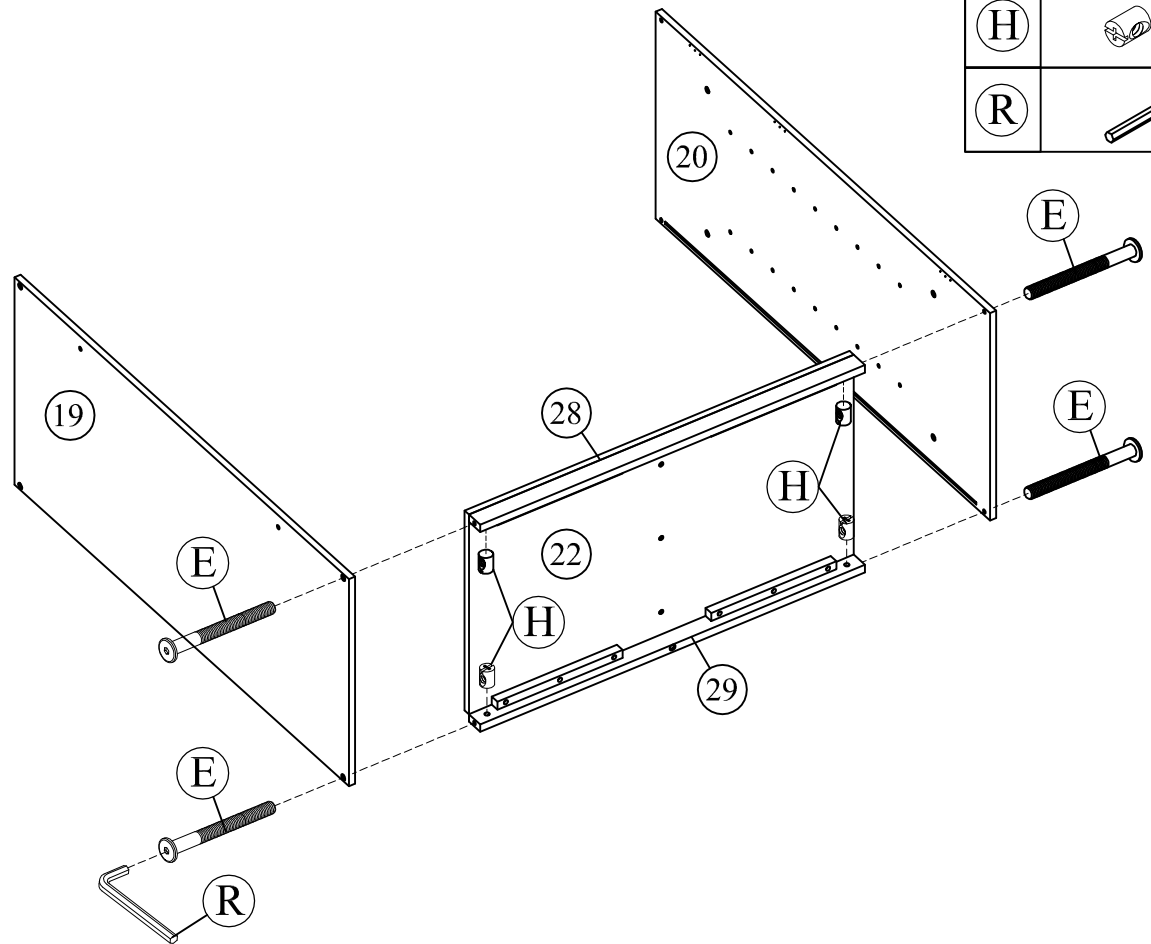
**STEP 9:**

(L)		12
-----	--	----



**STEP 10:**

(E)		04
(H)		04
(R)		01

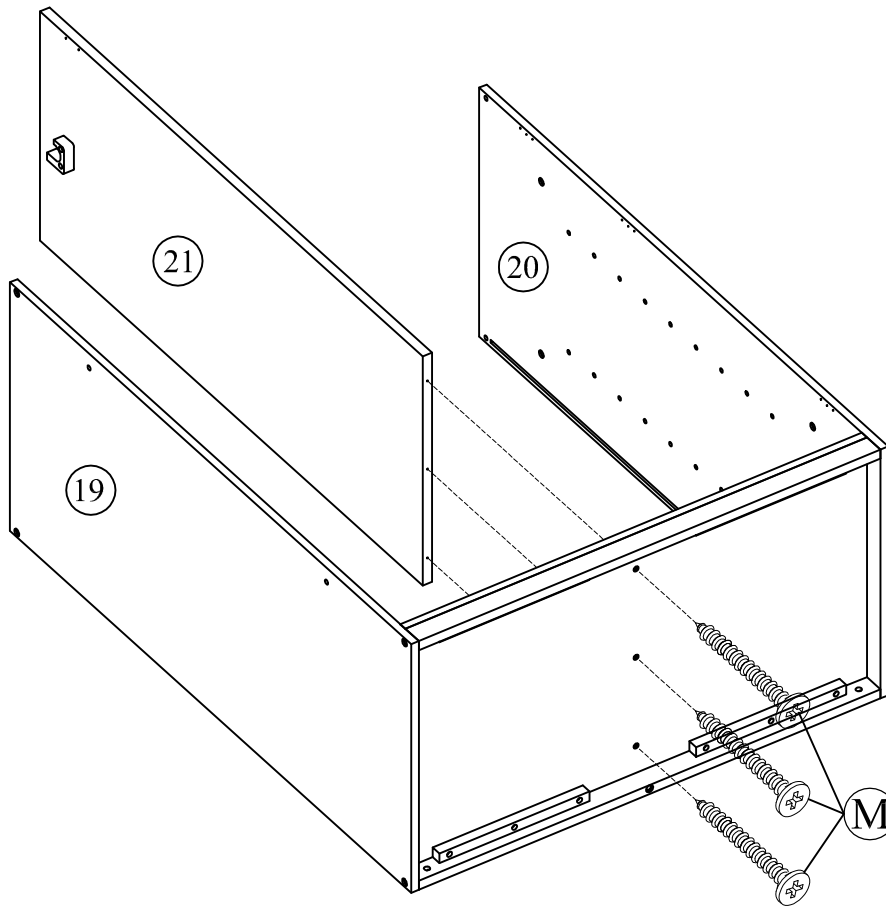


**STEP 11:**

(M)



03



**STEP 12:**

(F)



01

(H)

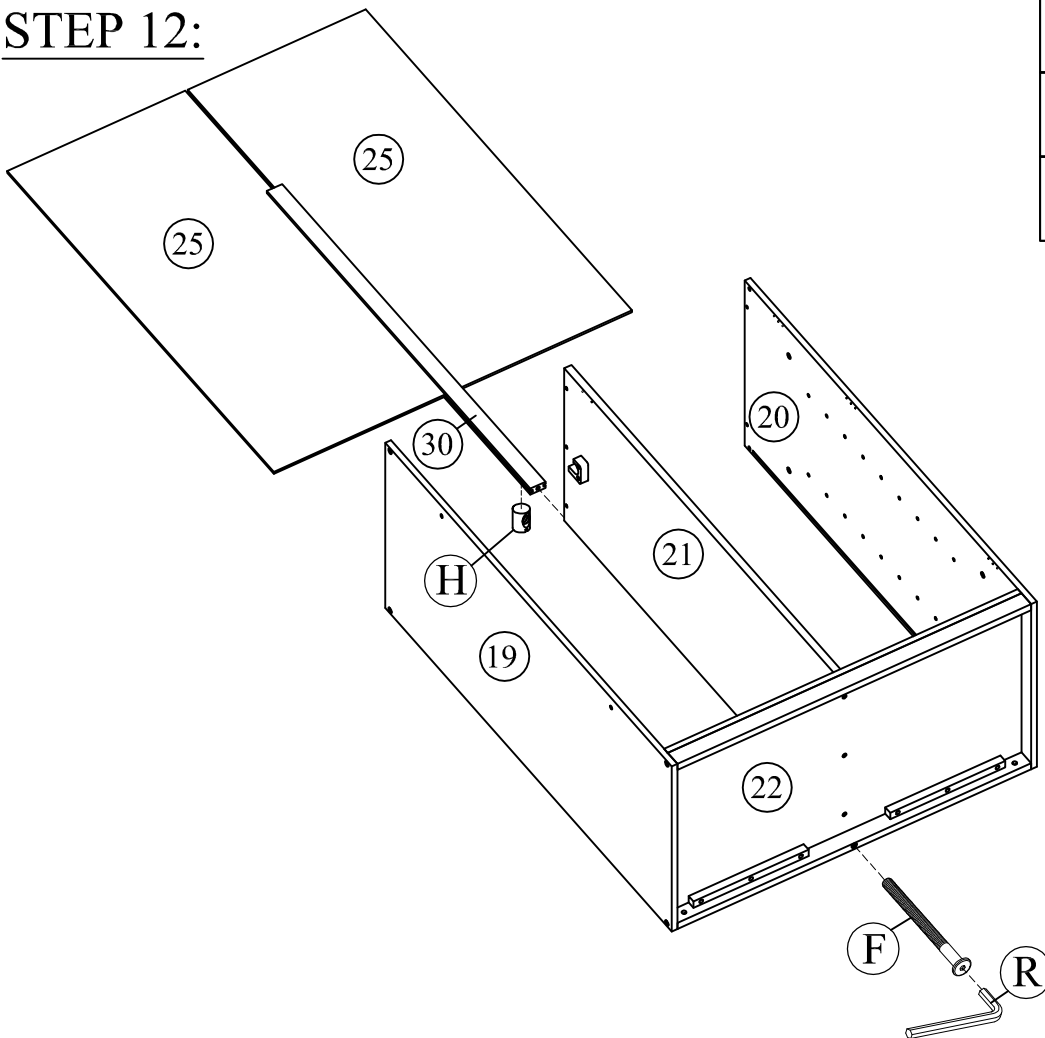


01

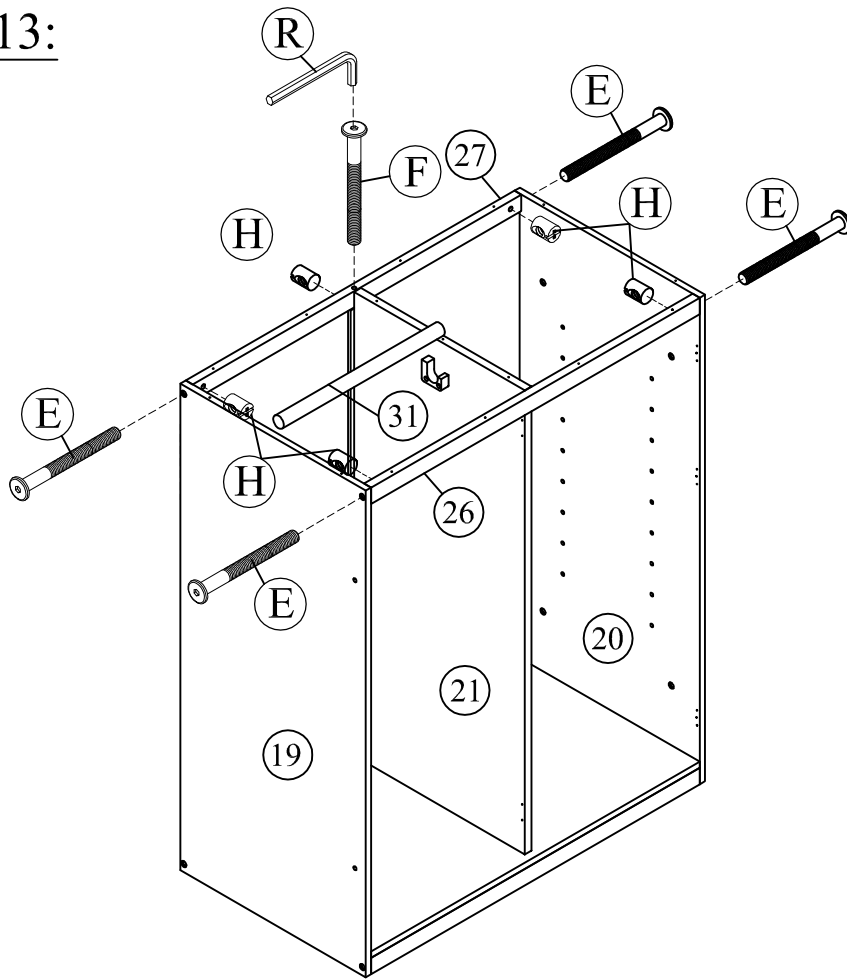
(R)



01

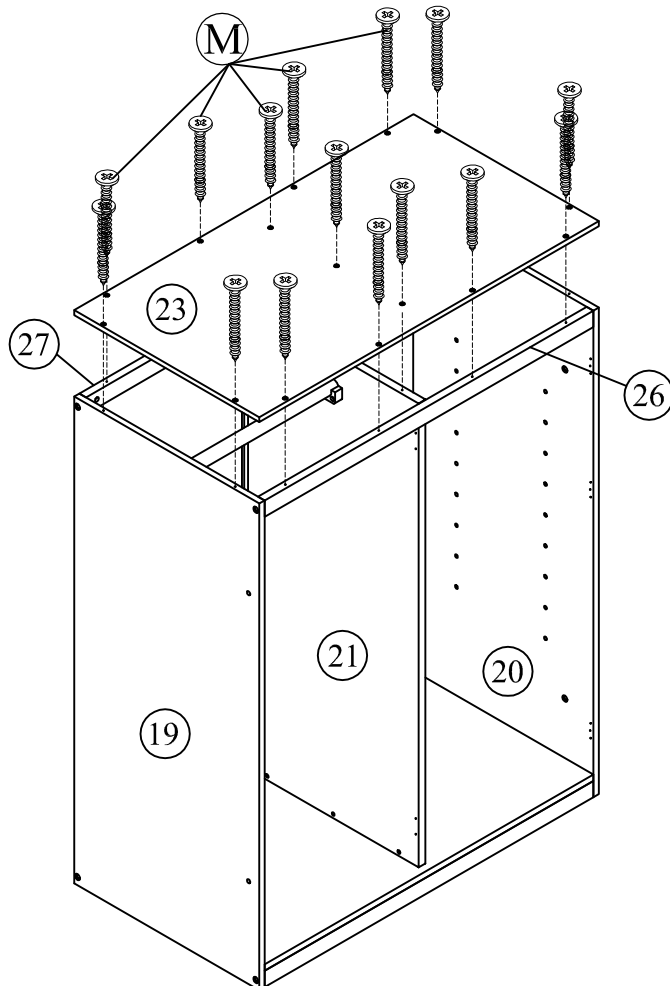


**STEP 13:**



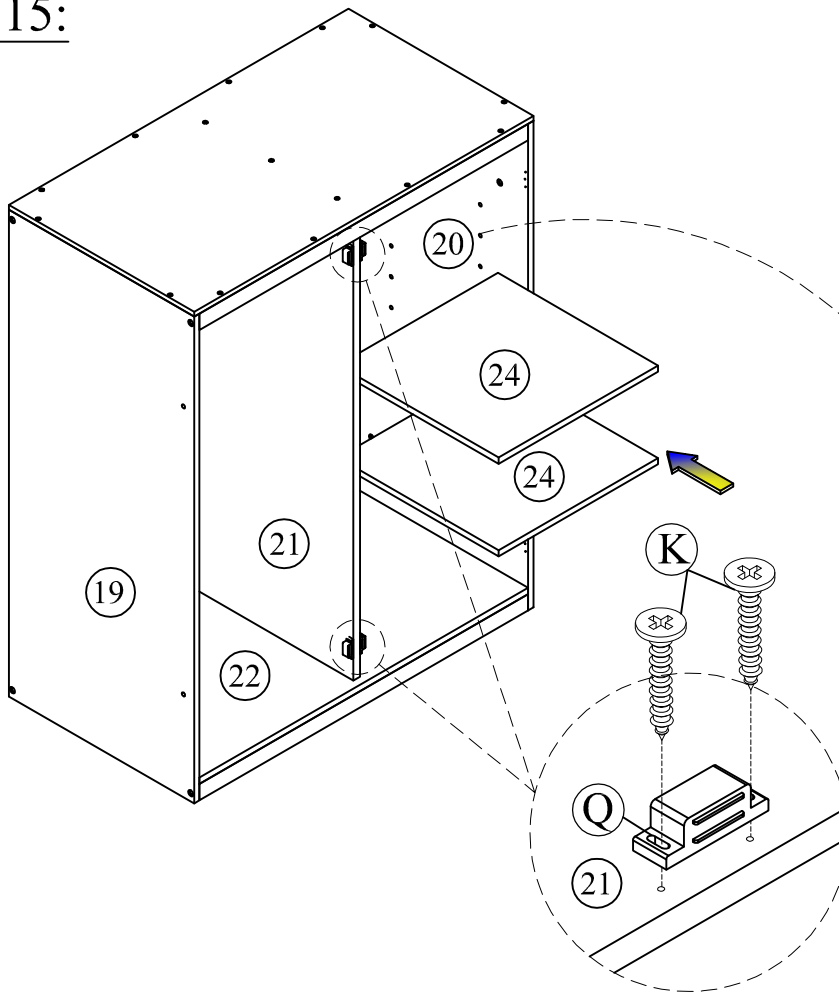
(E)		04
(F)		01
(H)		05
(R)		01




**STEP 14:**

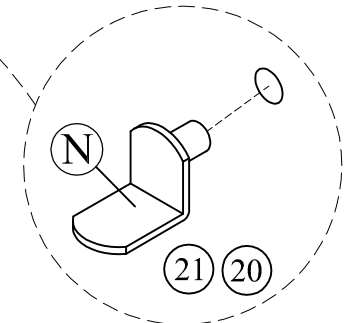


(M)		15
-----	--	----

## STEP 15:

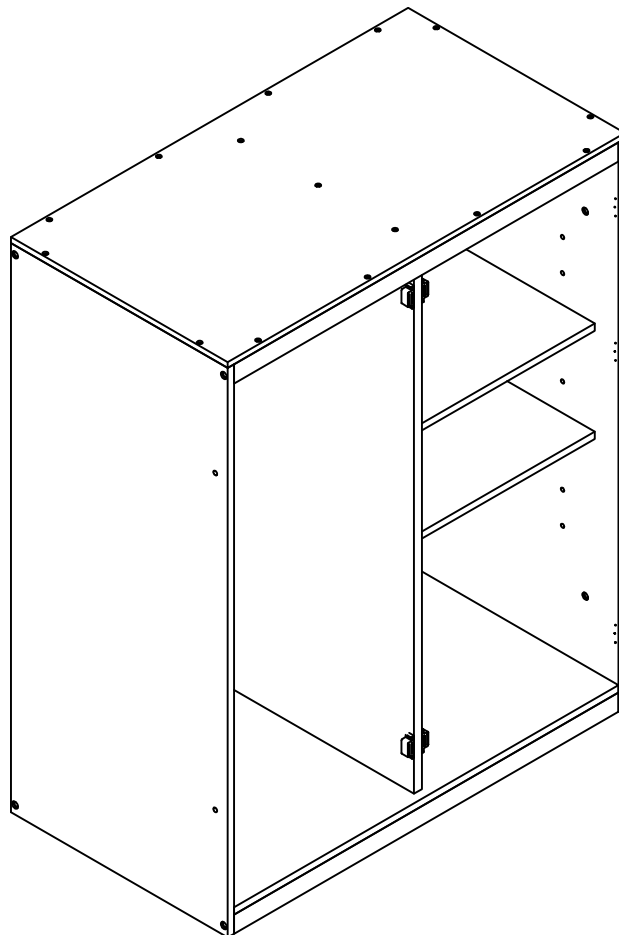


(K)		08
(N)		08
(Q)		04

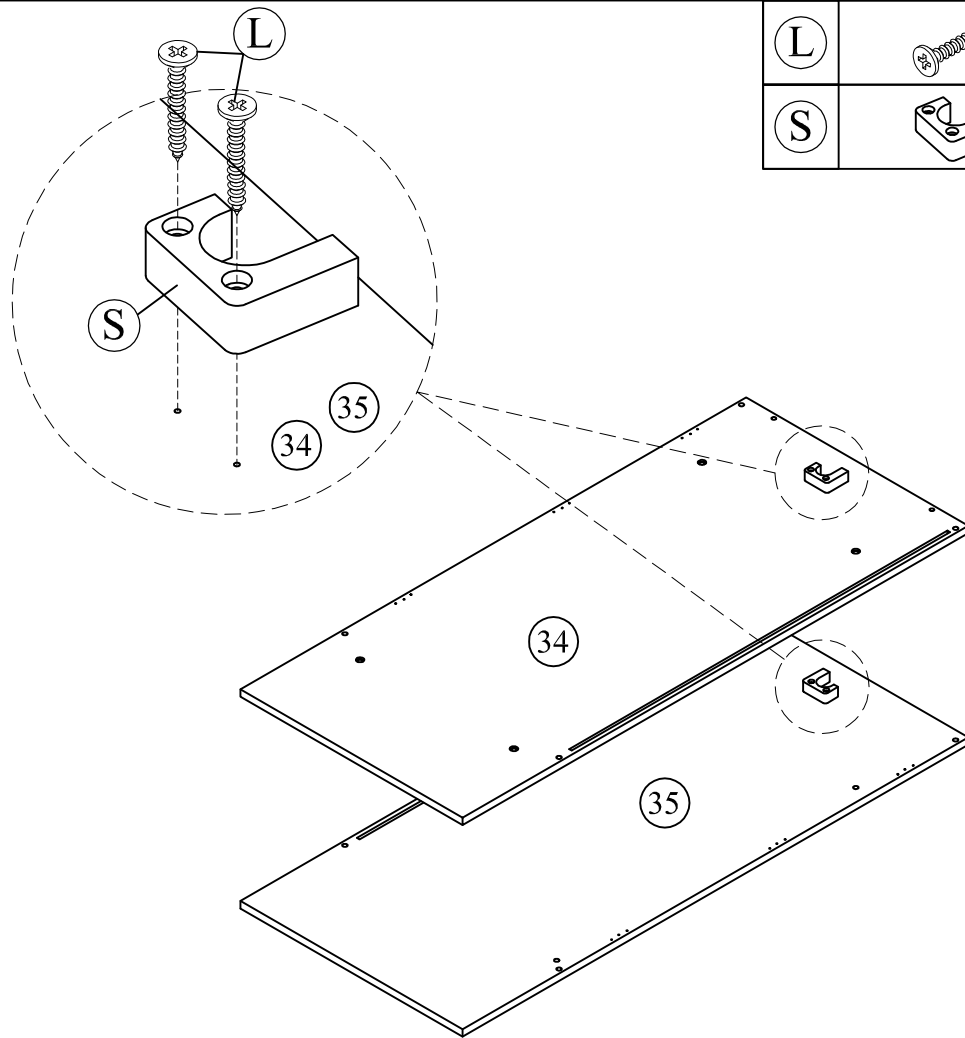


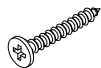

Base L adjust shelf height.

## STEP 16:

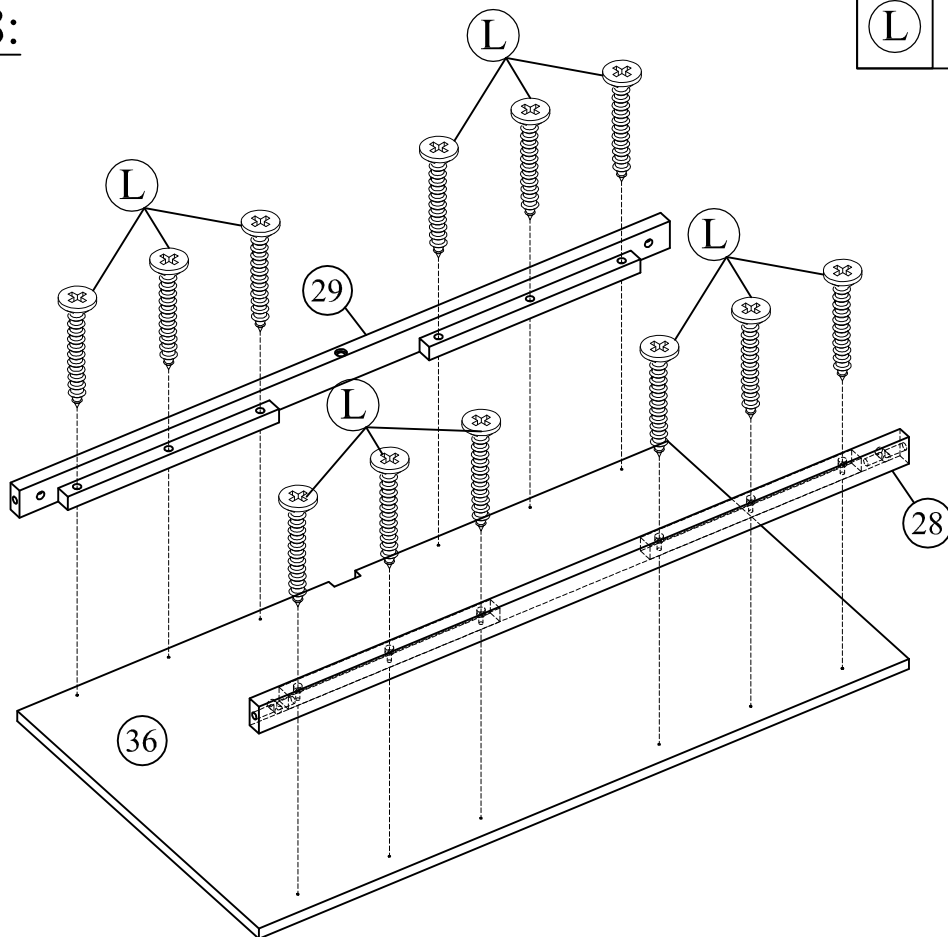


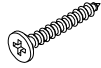
**STEP 17:**



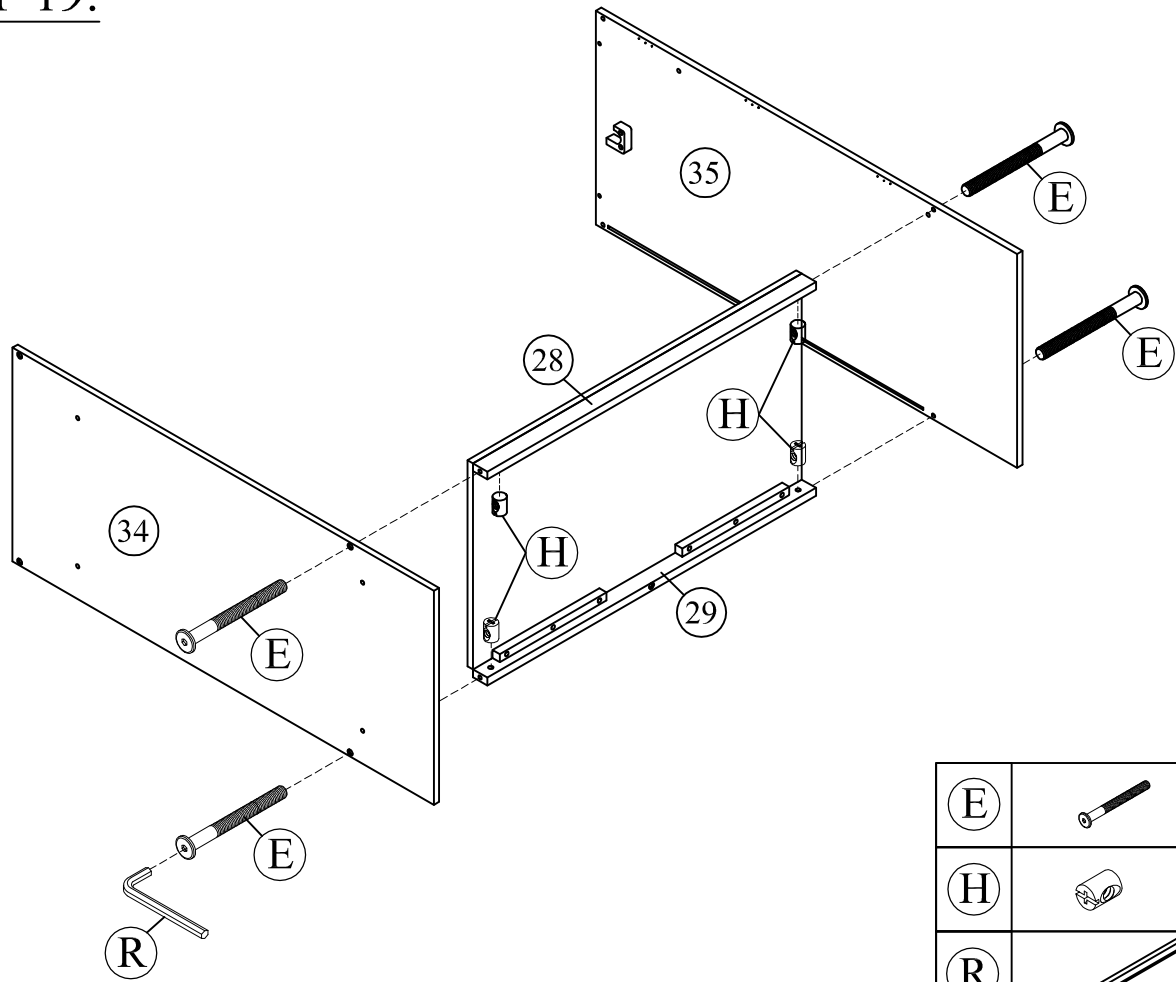
(L)		04
(S)		02







**STEP 18:**



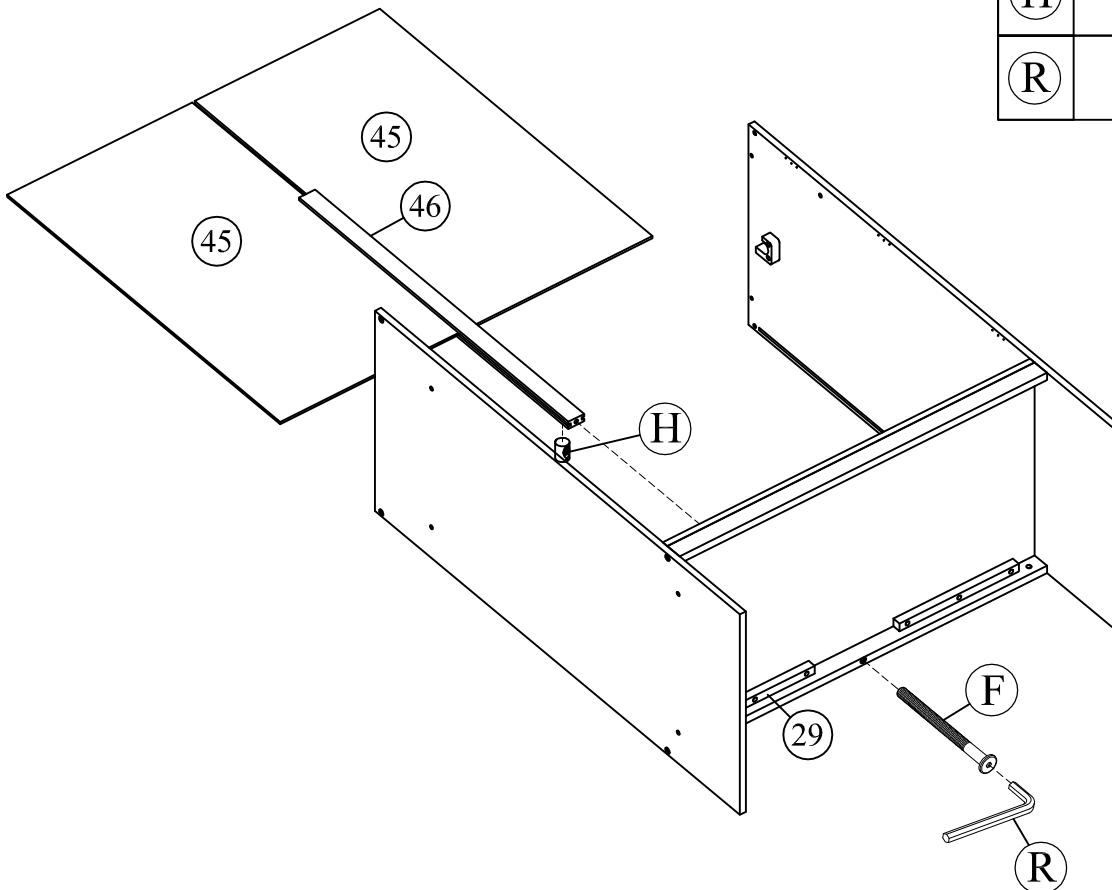
(L)		12
-----	---	----

**STEP 19:**

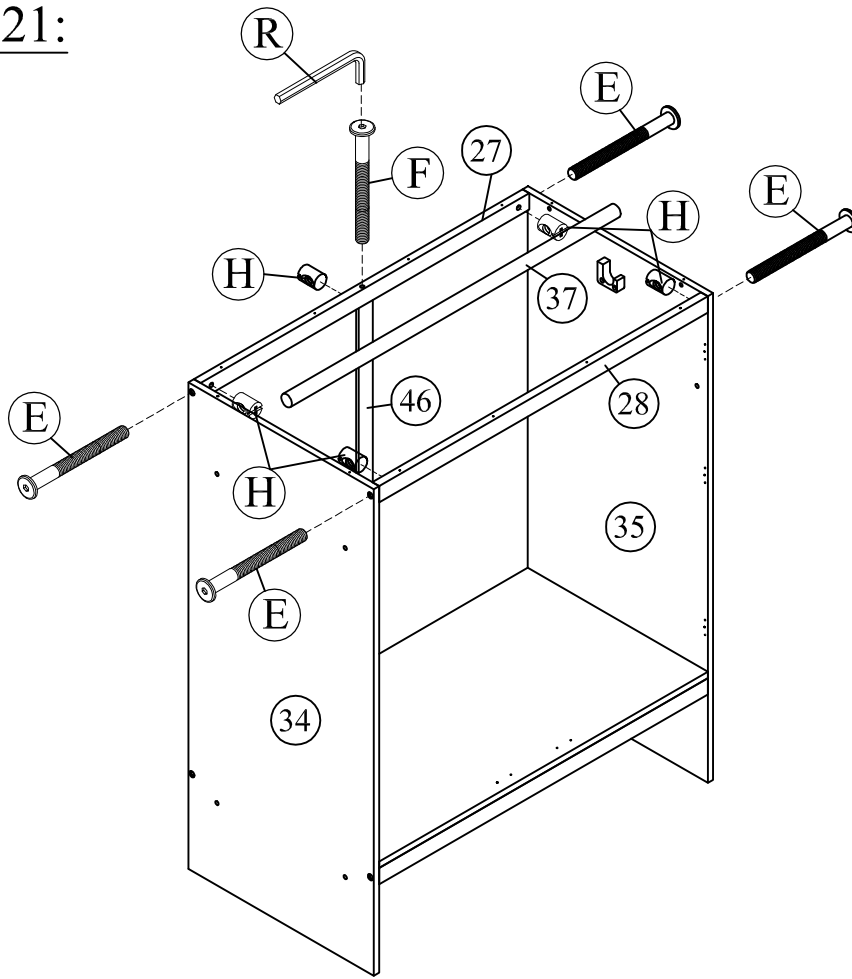


(E)		04
(H)		04
(R)		01
(F)		01
(H)		01
(R)		01

**STEP 20:**

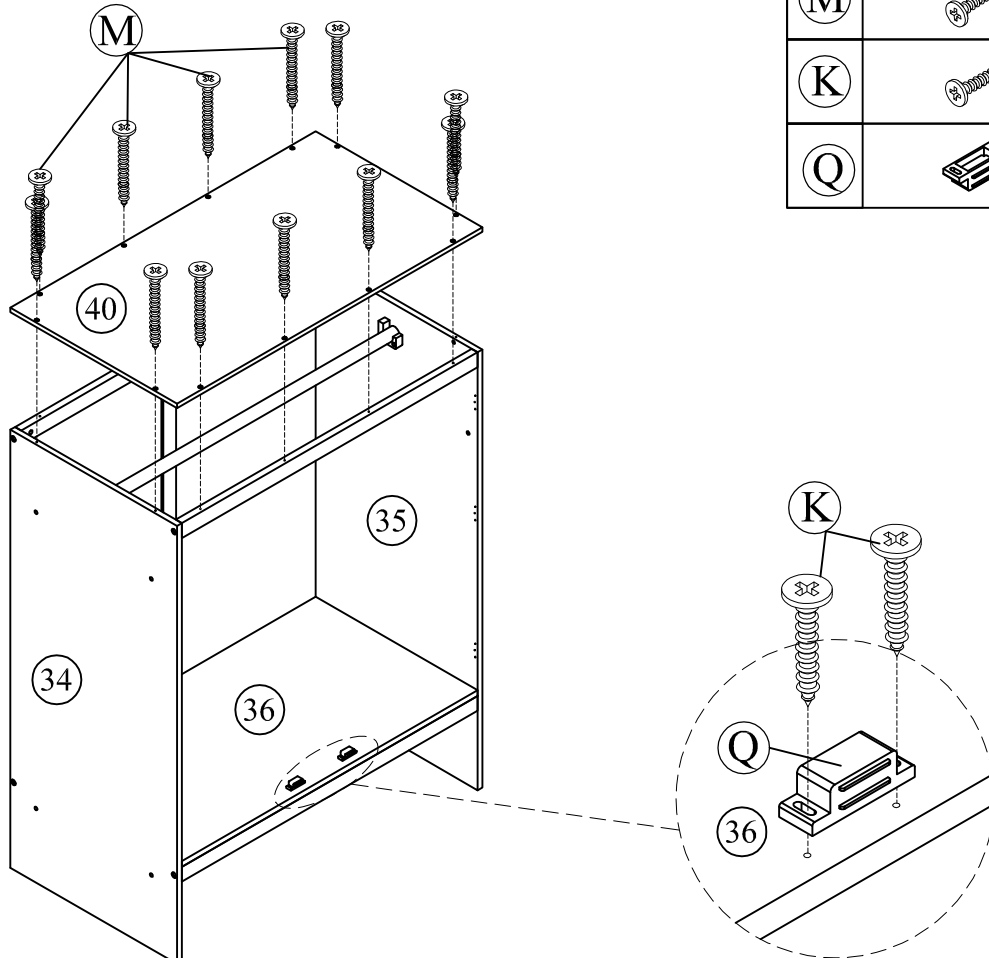


**STEP 21:**



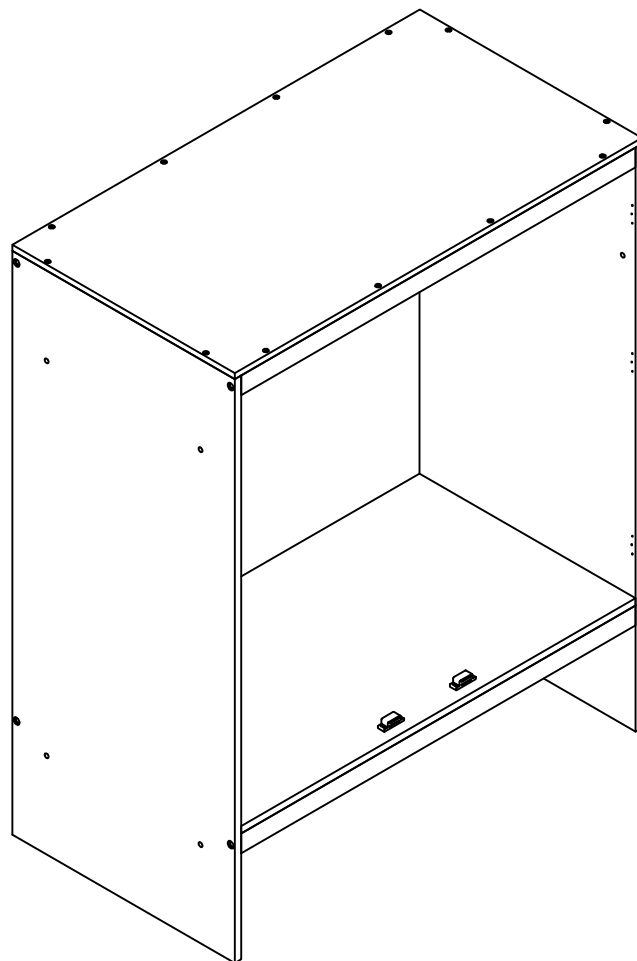
(E)		04
(F)		01
(H)		05
(R)		01

**STEP 22:**




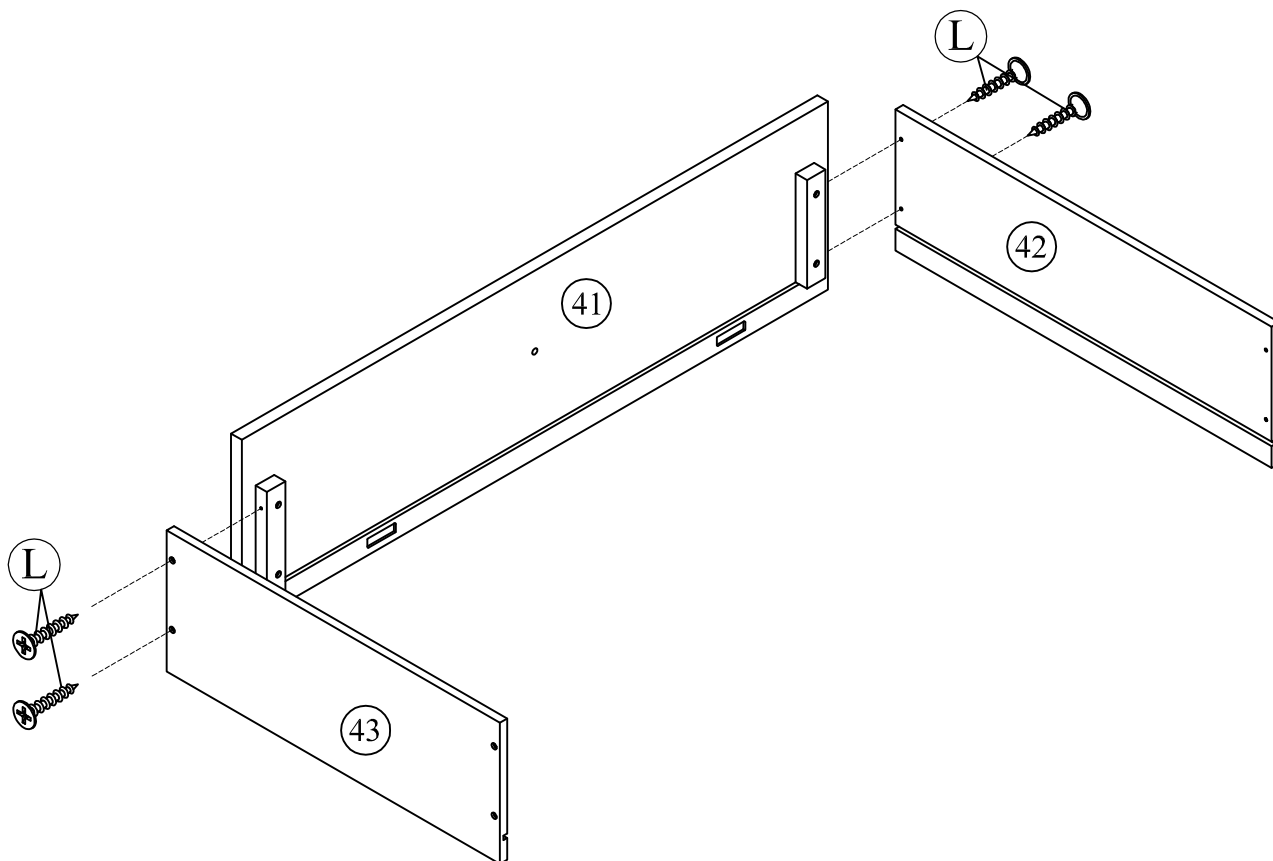
(M)		12
(K)		04
(Q)		02

STEP 23:



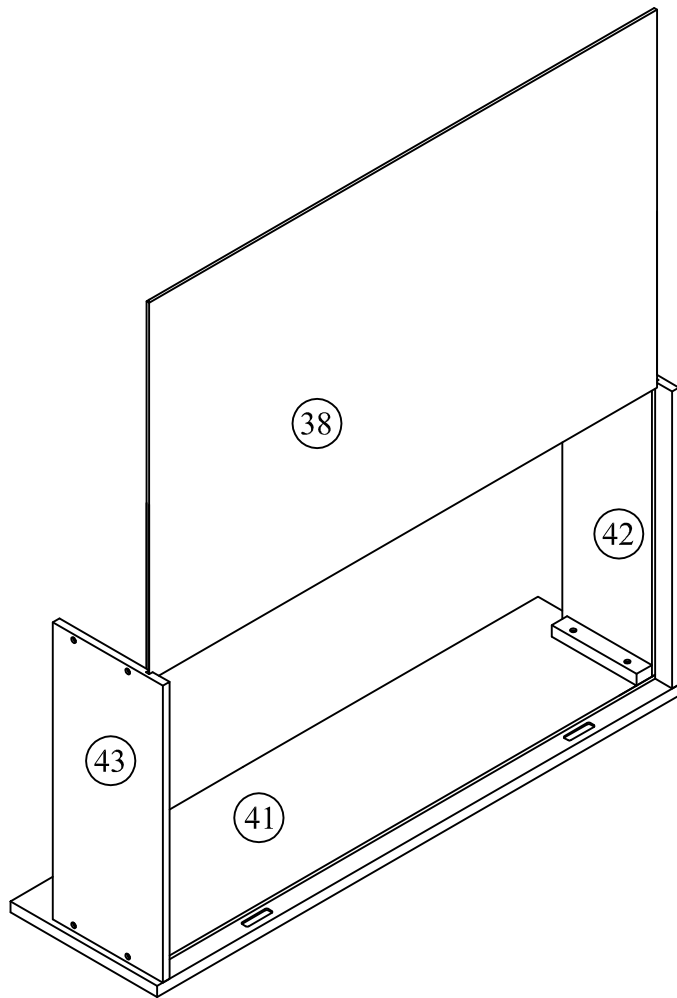
STEP 24:

(L)		04
-----	---	----



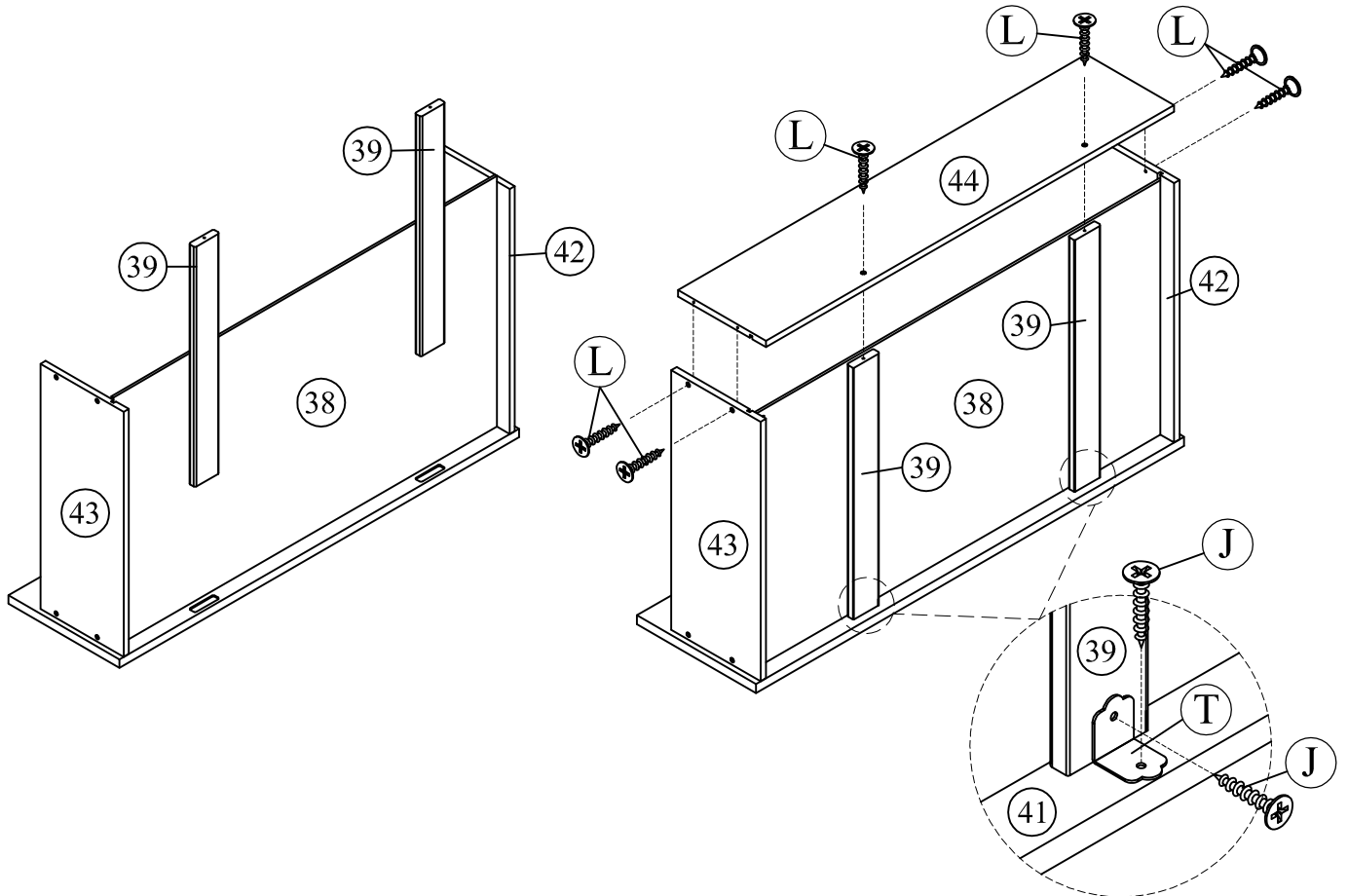


**STEP 25:**







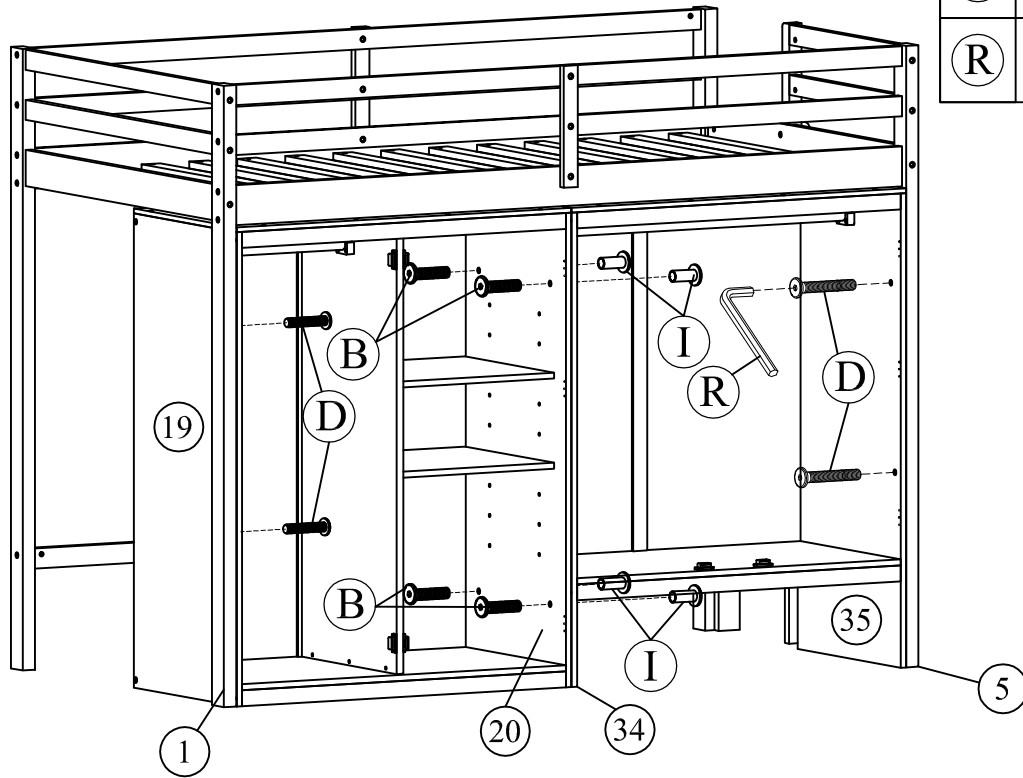
**STEP 26:**

(J)		04	(L)		06	(T)		02
-----	---	----	-----	---	----	-----	---	----

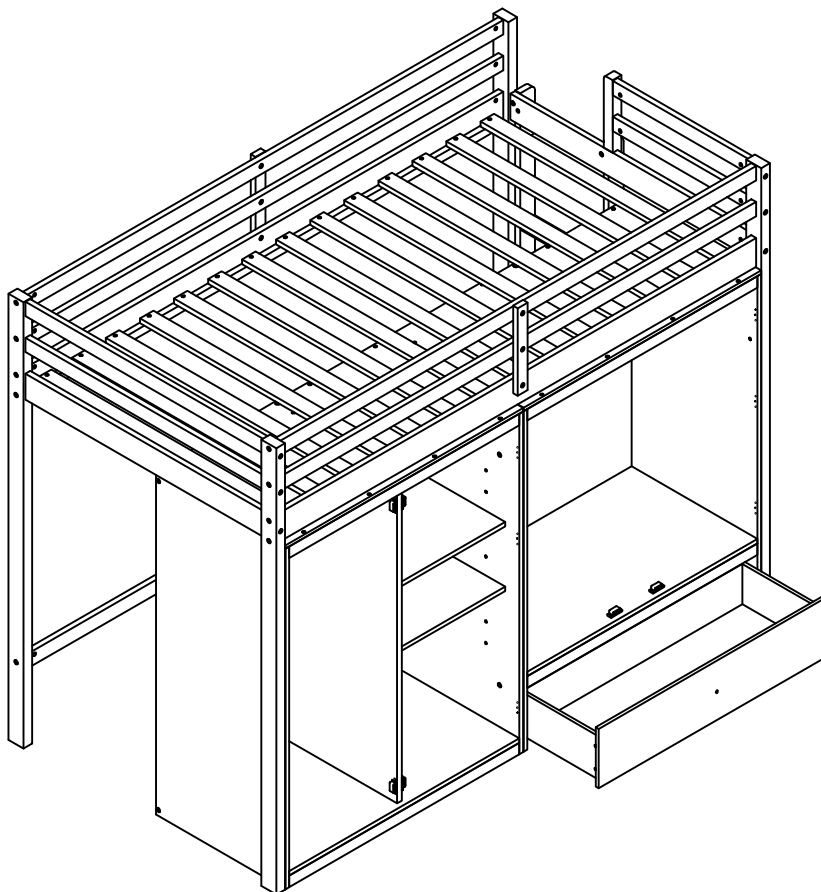


# STEP 27:

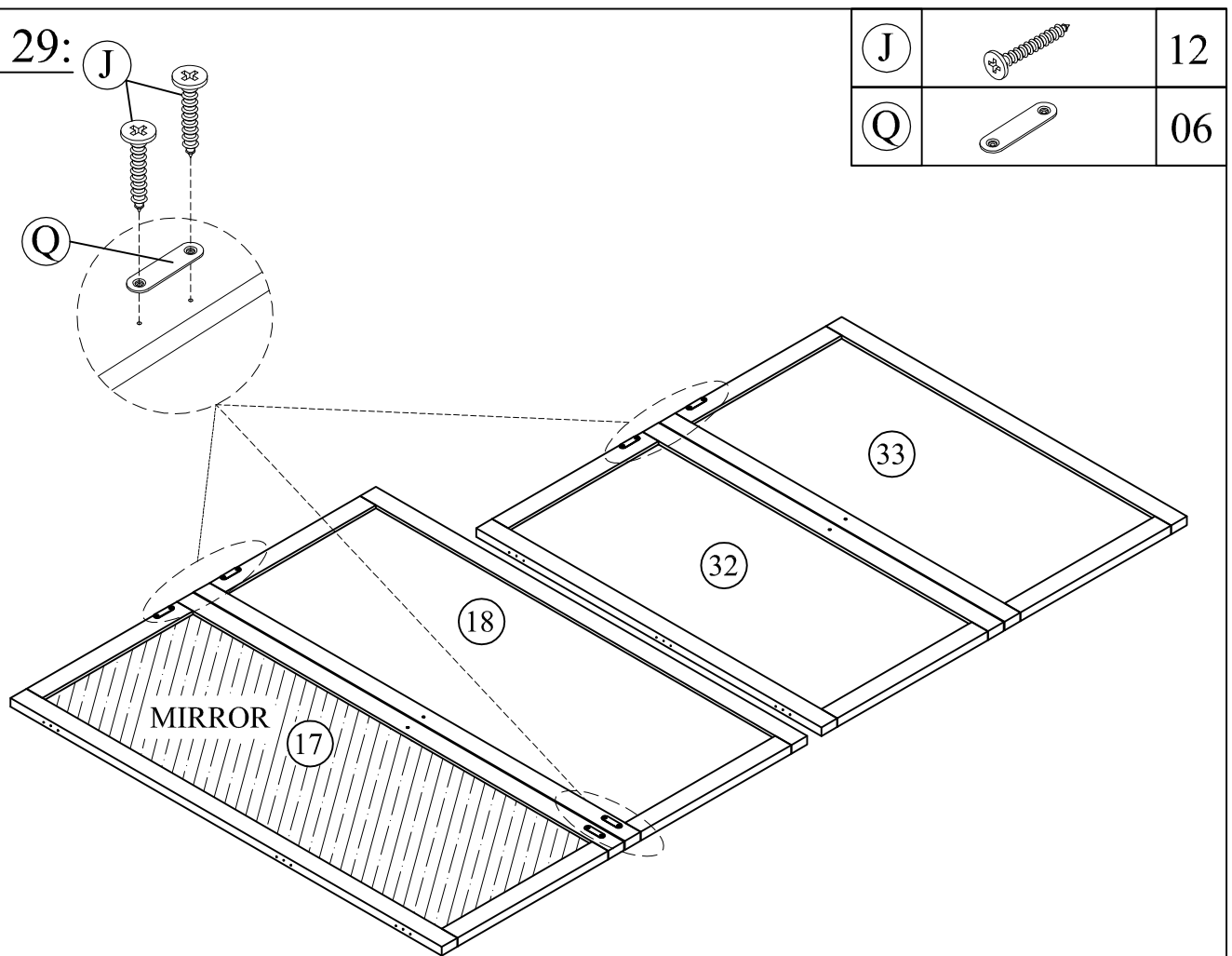
(B)		04
(D)		04
(I)		04
(R)		01

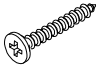



# STEP 28:

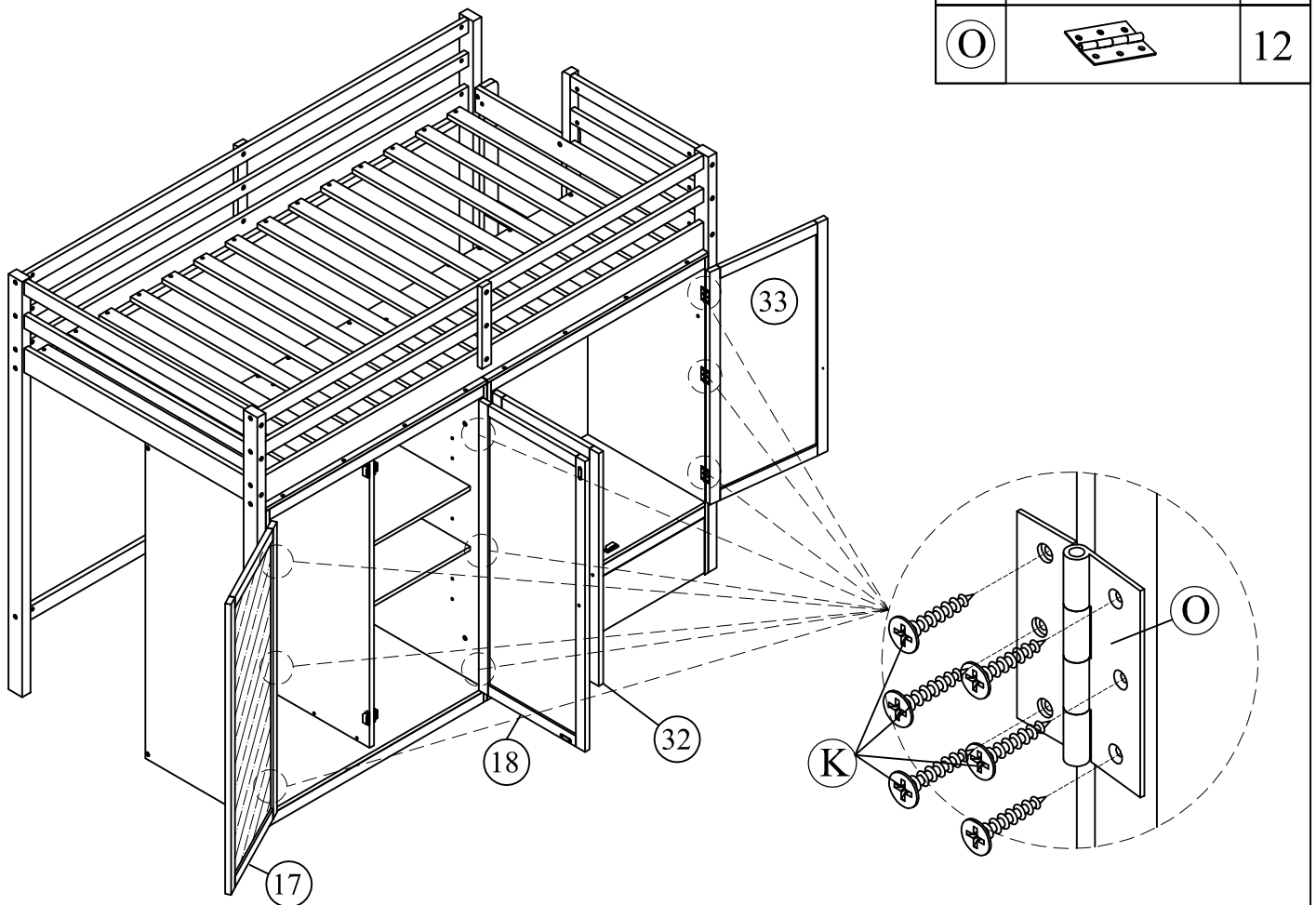




**STEP 29:**



J		12
Q		06

**STEP 30:**



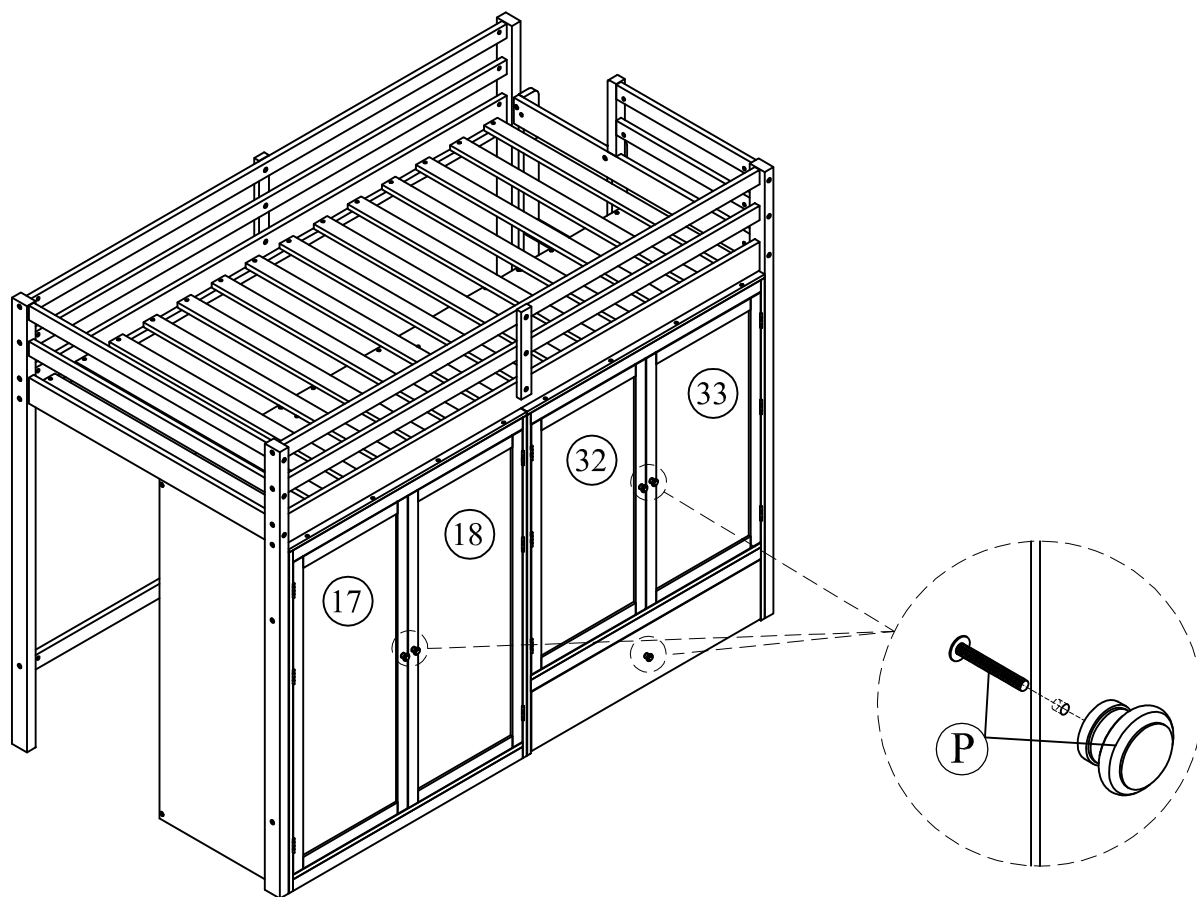
K		72
O		12

STEP 31:

P



05



FINAL:

