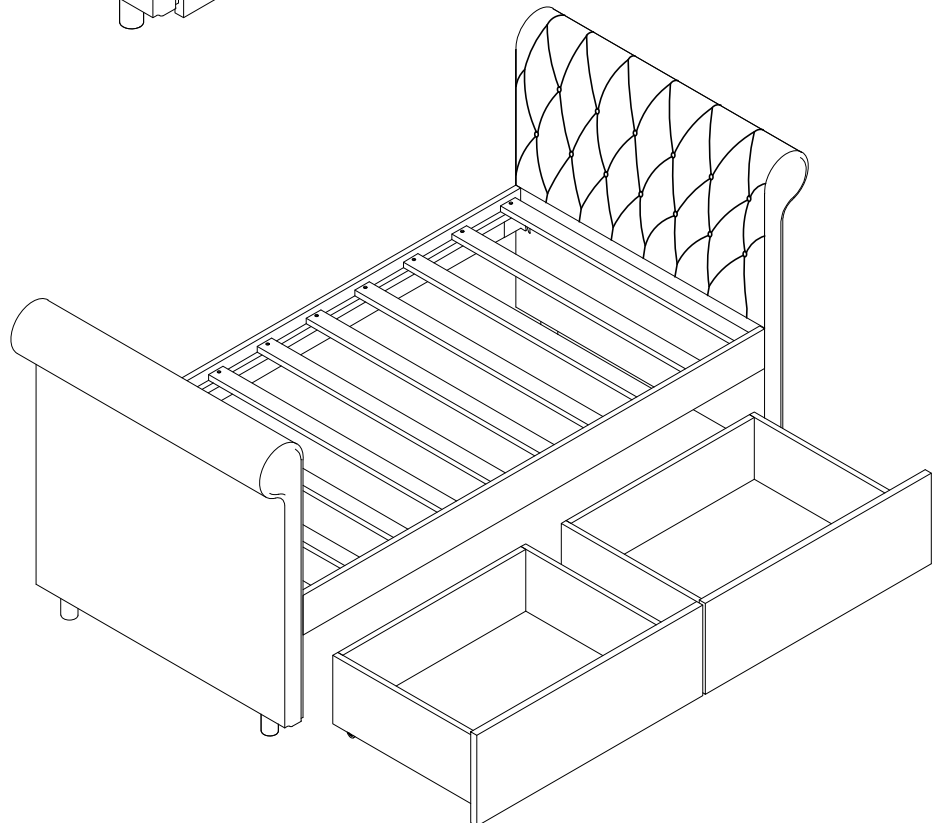
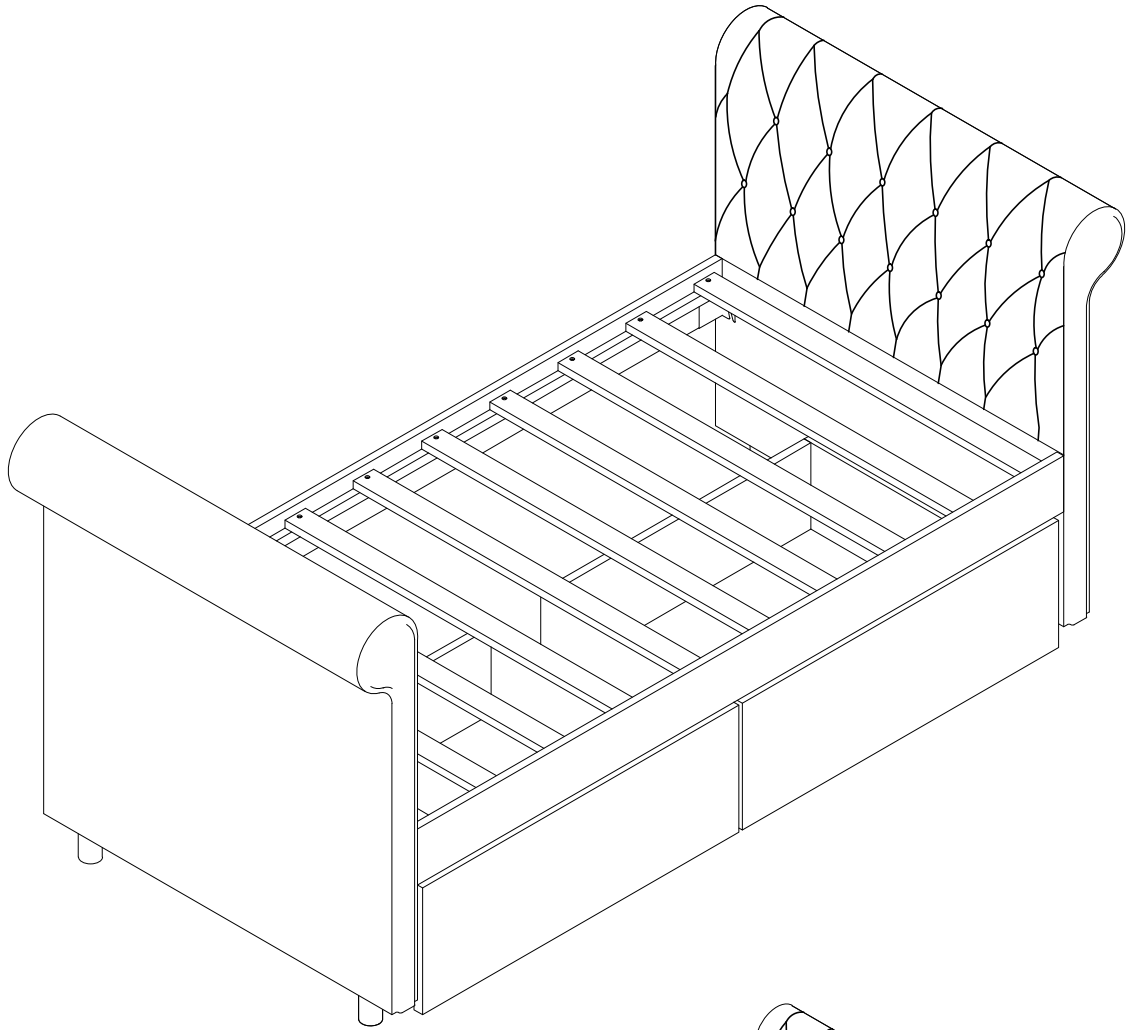
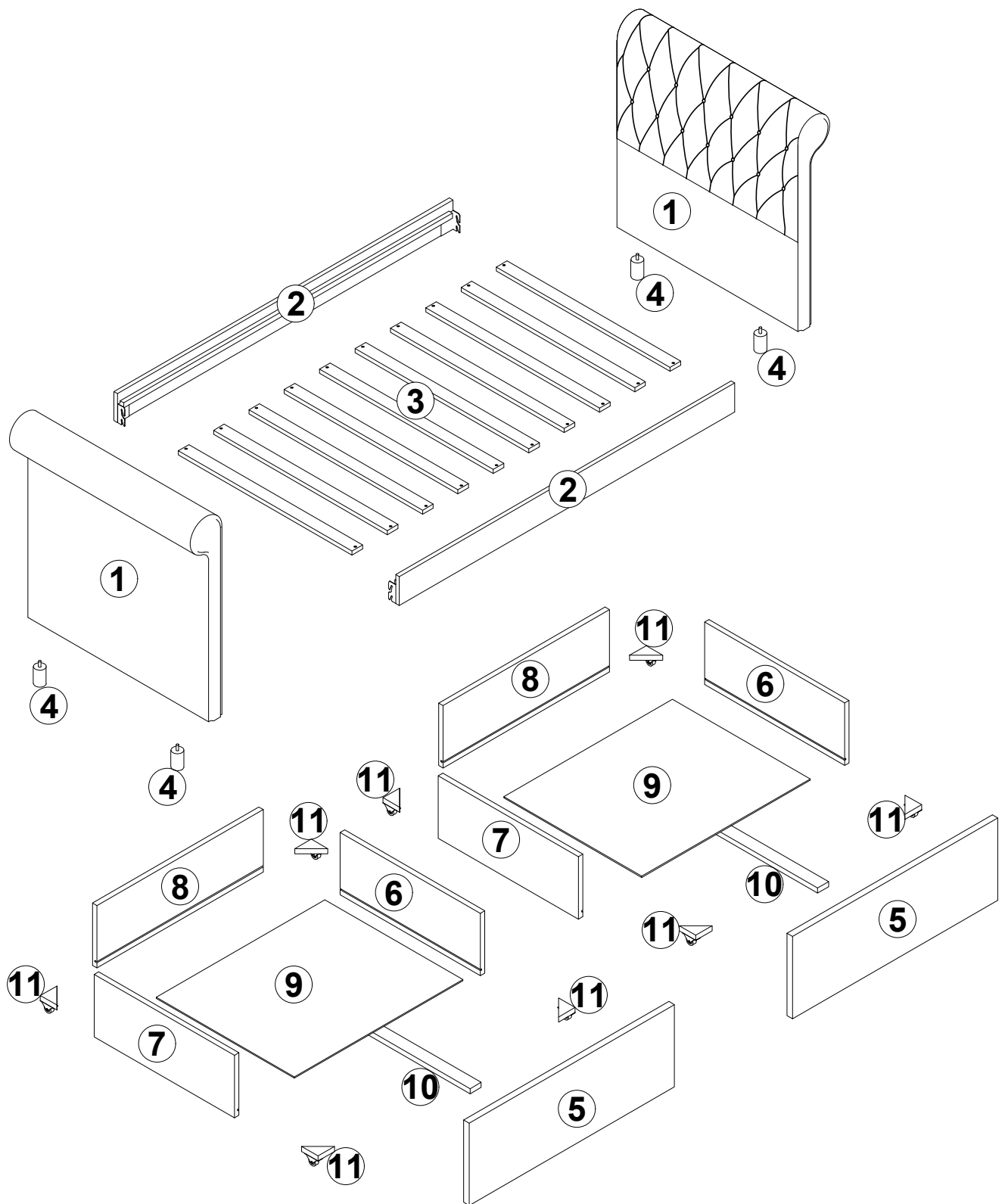


ASSEMBLY INSTRUCTION

SKU CODE: WF295296/WF295297



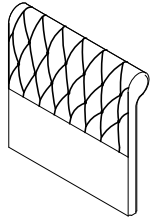
Detail view - TWIN BED WITH TWO DRAWERS



Identifying the Hardware - Identify the hardware using the illustrations below.

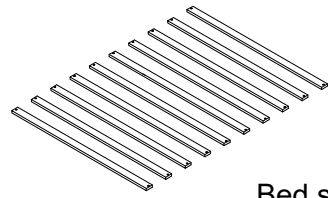
Part Lists: WF295296

1



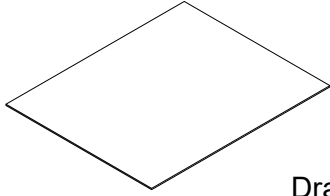
Headboard-2pc

3



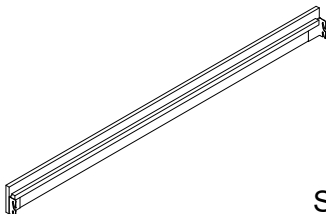
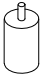
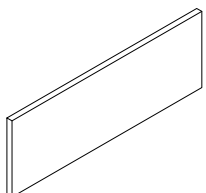
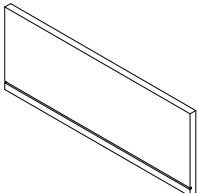
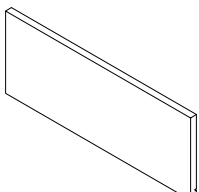
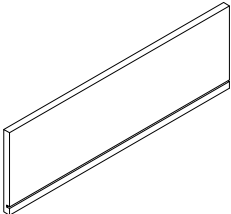
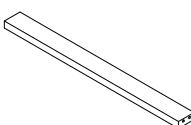
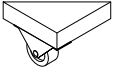
Bed slat -10pcs

9


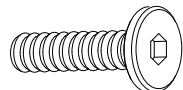


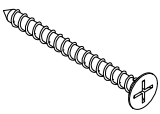
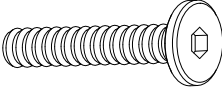
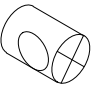


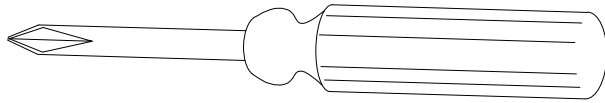


Drawer bottom -2pcs

Part Lists: WF295297

<p>2</p>  <p>Side rail -2pcs</p>	<p>4</p>  <p>Headboard foot -4pcs</p>
<p>5</p>  <p>Drawer front -2pcs</p>	<p>6</p>  <p>Drawer right -2pcs</p>
<p>7</p>  <p>Drawer left -2pcs</p>	<p>8</p>  <p>Drawer back -2pcs</p>
<p>10</p>  <p>Drawer bottom support -2pcs</p>	<p>11</p>  <p>Drawer corner support -8pcs</p>

Hardware Lists: WF295296

A  4mm Allen key (1pc)	B  Ø5/16" x 25mm Hex-head bolt (8pcs)
C  Ø5/16" Spring washer (8pcs)	D  Ø5/16" Flat washer(8pcs)
E  Ø4 x 30mm Wood screw (44pcs)	F  Ø1/4" x 50mm Hex-head bolt (8pcs)
G  Ø1/4" Barrel nut (8pcs)	H  L bracket(4pcs)
I  Ø4 x 15mm Short Wood screw (8pcs)	
 ASSEMBLY TOOLS REQUIRED (NOT INCLUDED)	

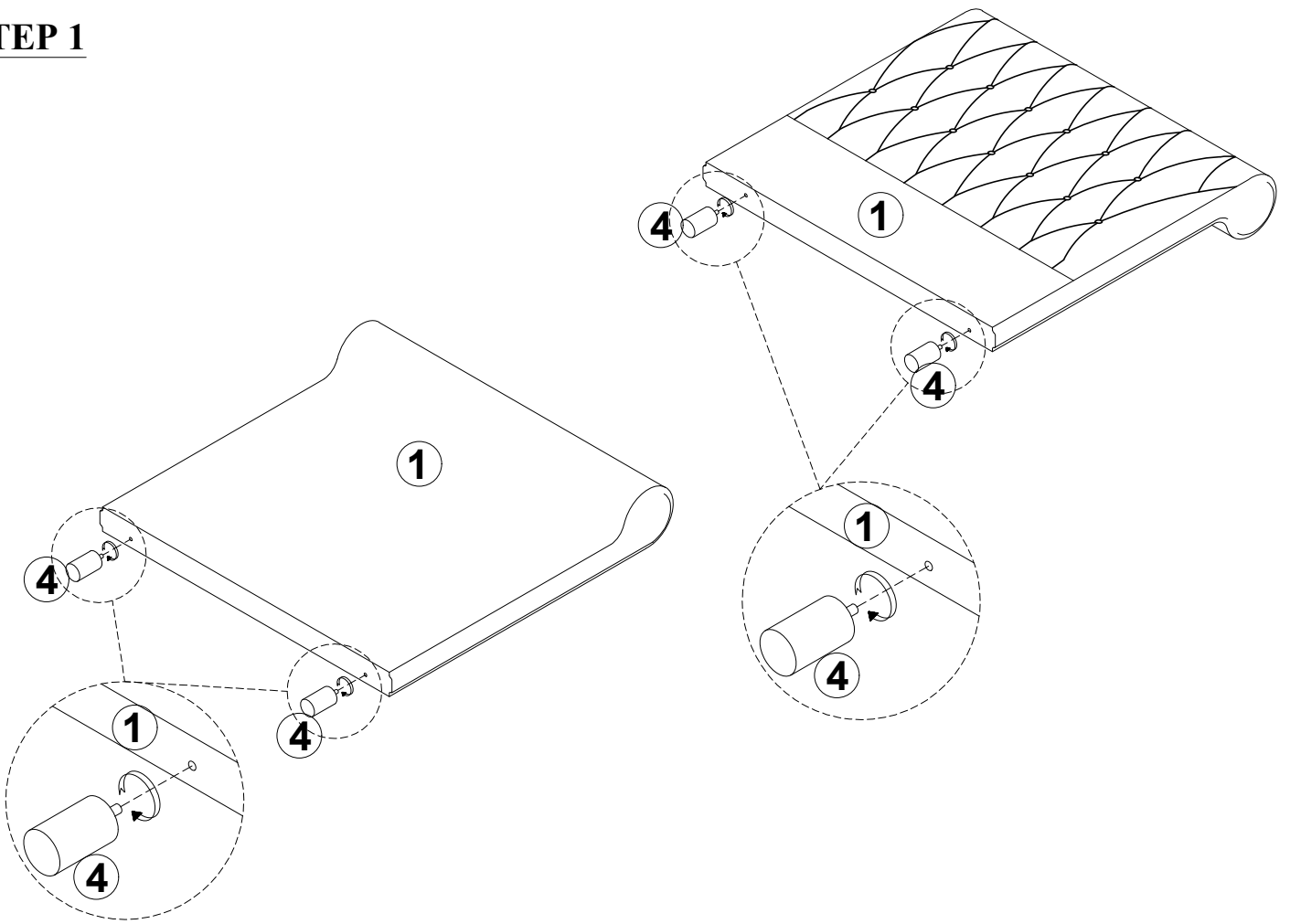
Read this instruction carefully. See hardware and furniture part list for guidance. Be sure all parts are complete, before you assemble. Place all wooden furniture parts on a clean and flat soft surface to prevent from being scratched. Follow the figure to start assembling.

CAUTIONS :

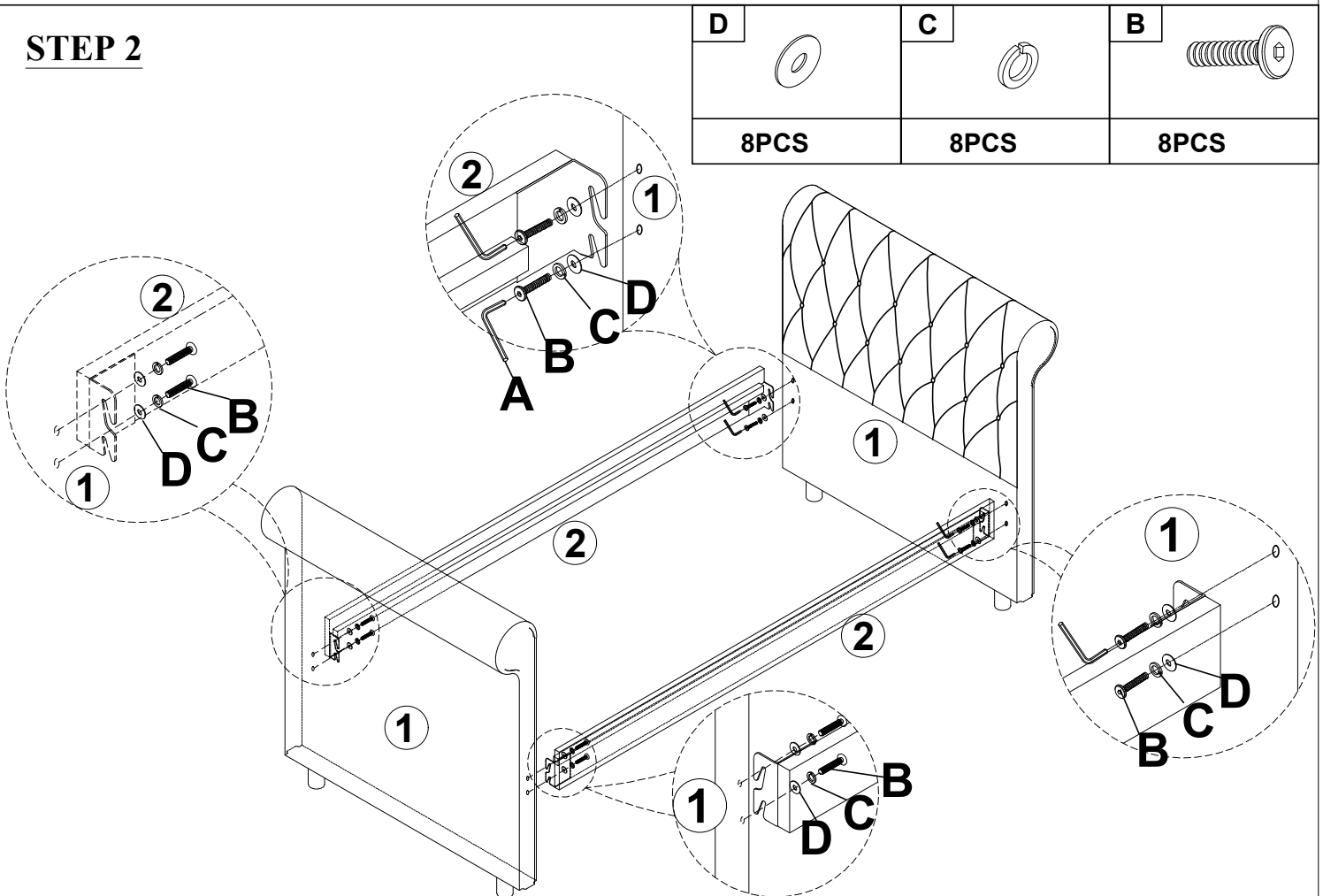
1. Do not FULLY - TIGHTEN the nut or nut bolt until all nut or bolt is ready assembled.
2. Do not OVER - TIGHTEN the nut or bolt to avoid causing damages to the thread.
3. Keep all hardware parts out of reach of children.

NOTE : THE LIST AND QUANTITY SHOWN ARE FOR 1 UNIT ASSEMBLY.

STEP 1



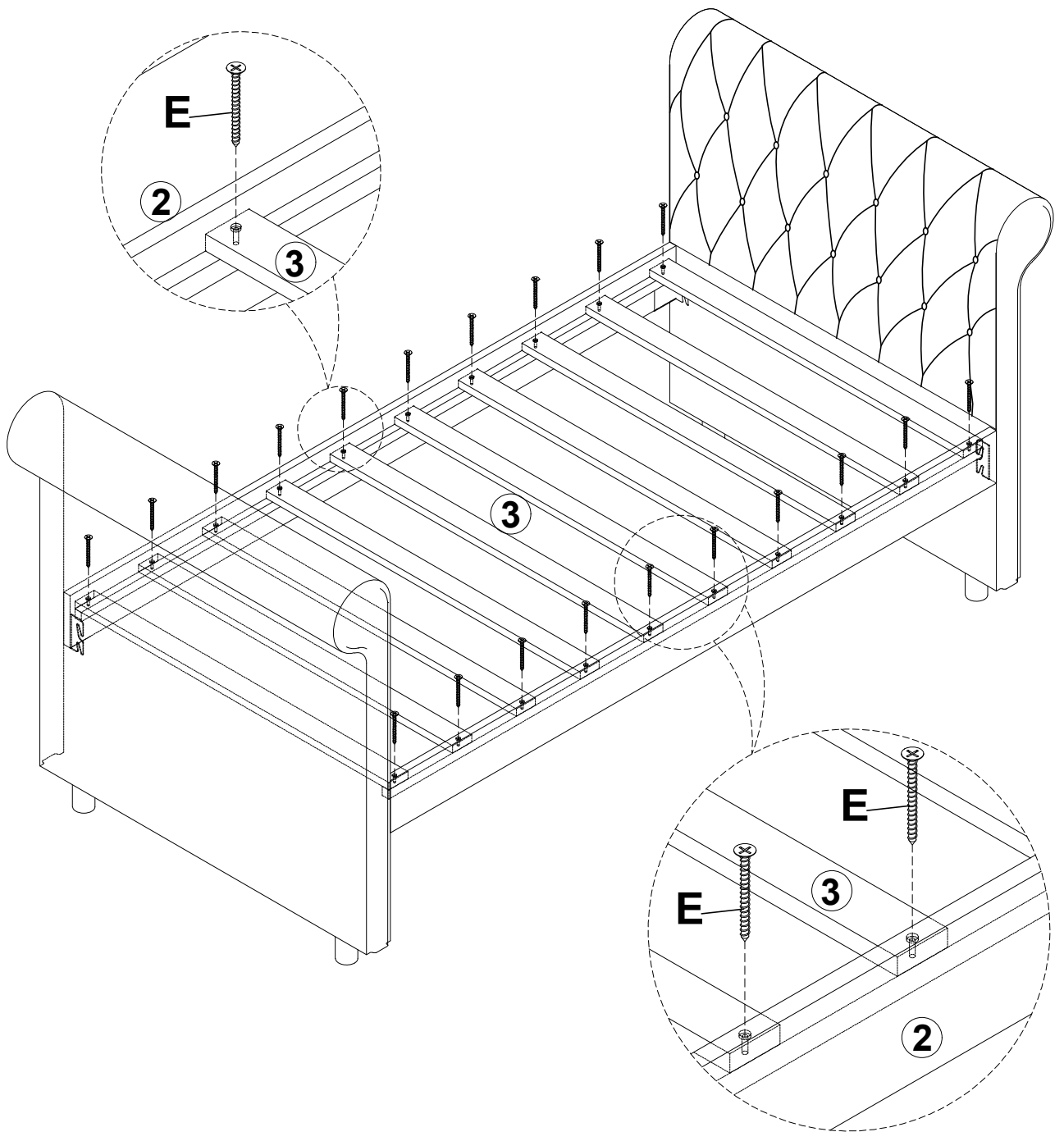
STEP 2



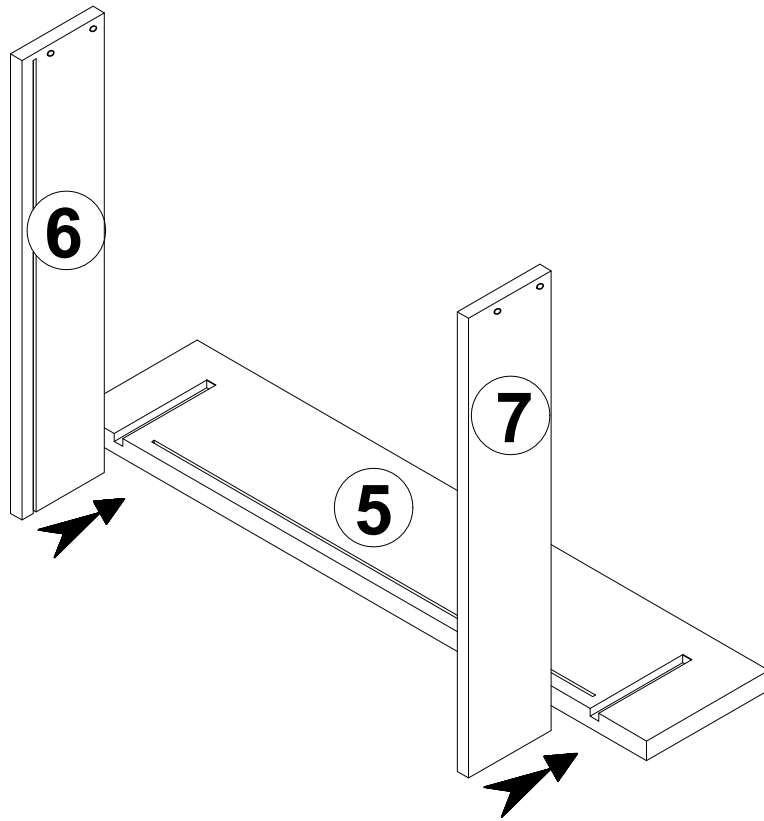
STEP 3



20PCS

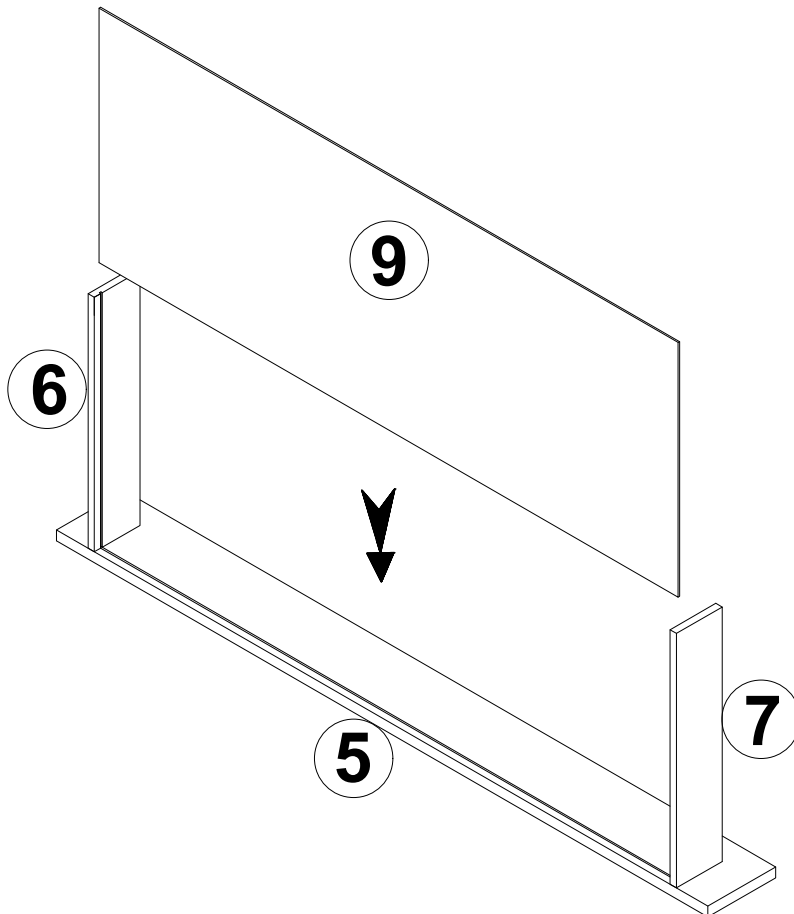


STEP 4




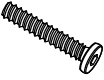
X 2

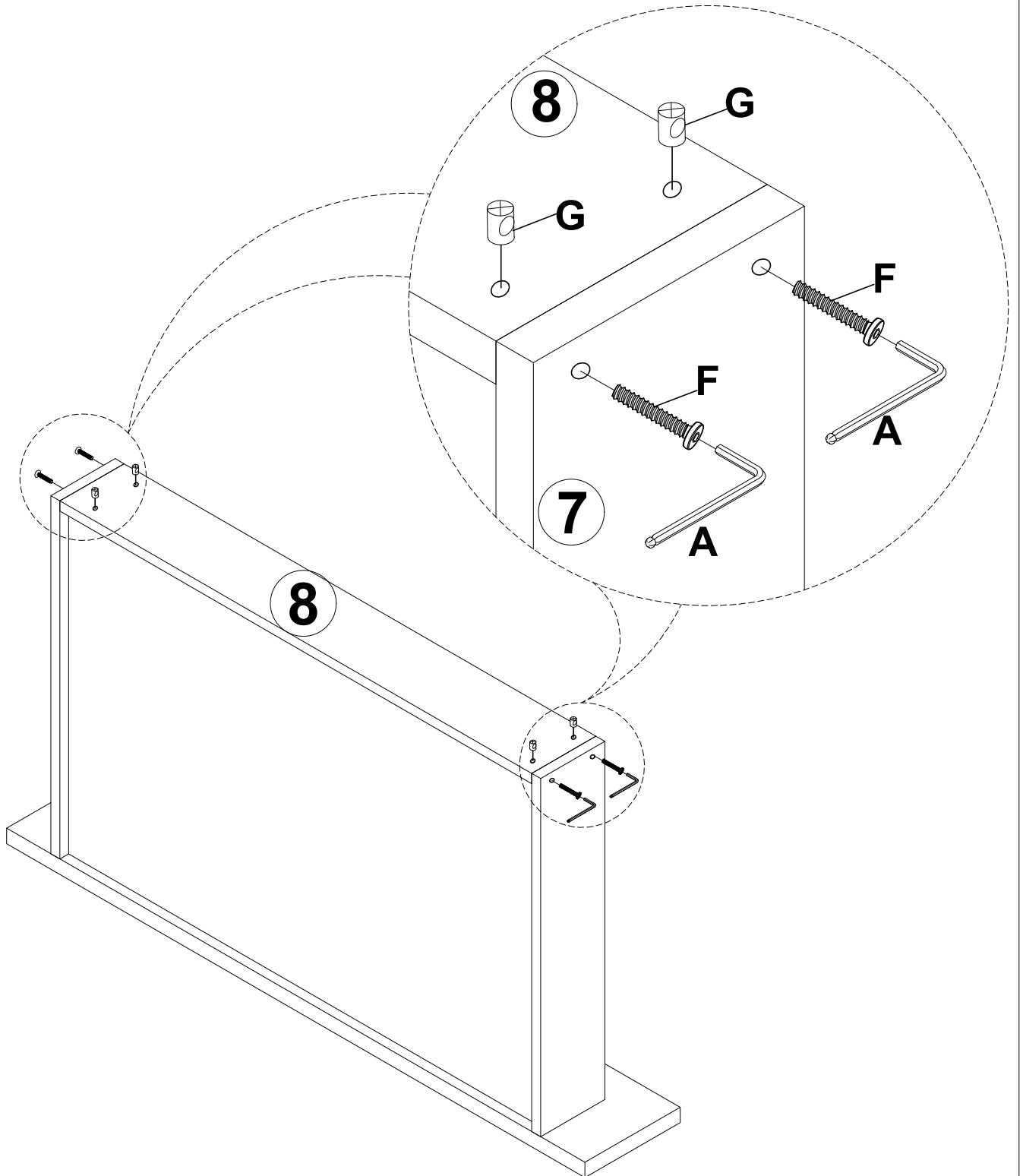
STEP 5



X 2

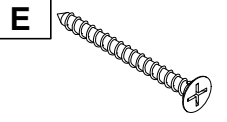
STEP 6

G		F	
8PCS		8PCS	

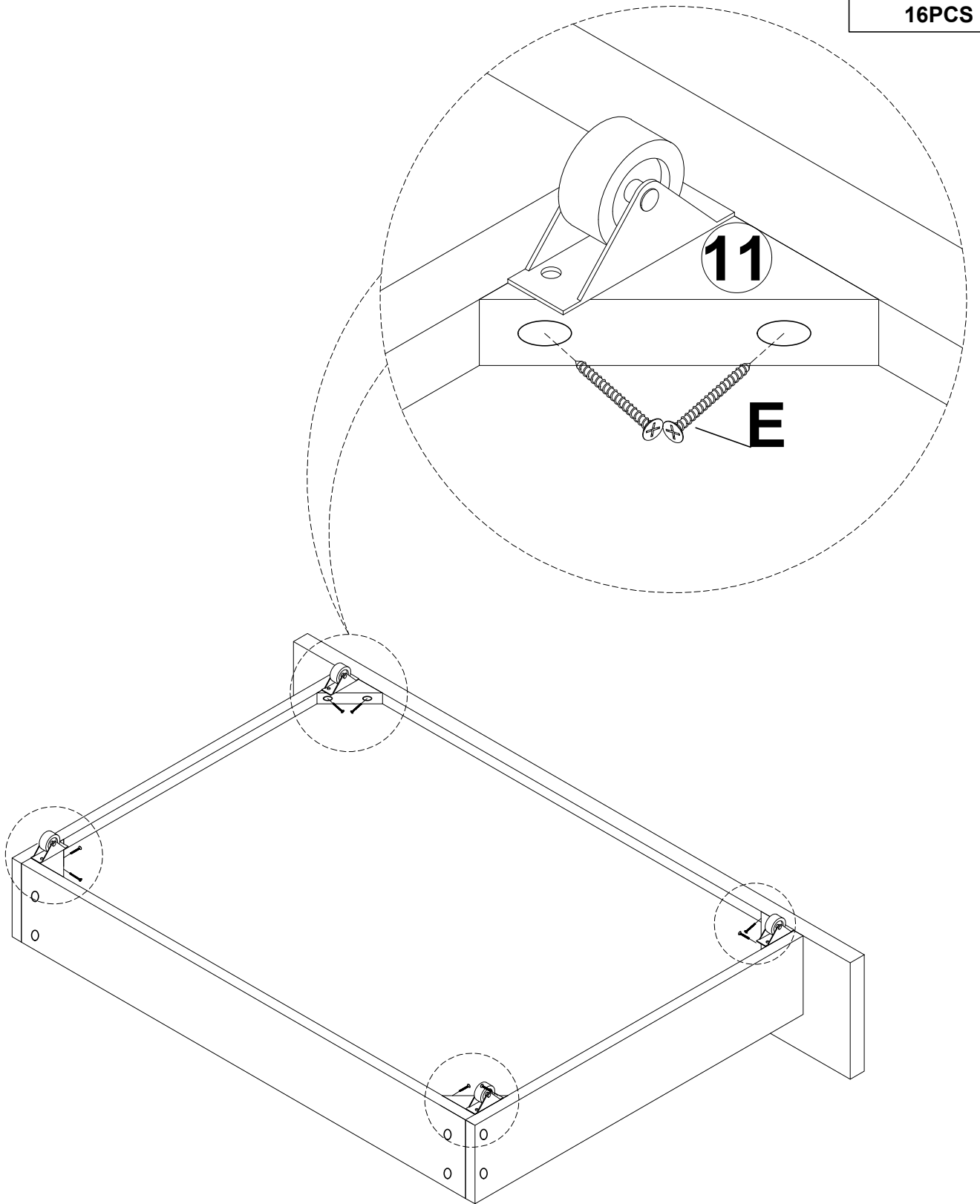


X 2

STEP 7

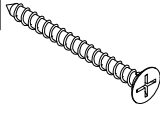


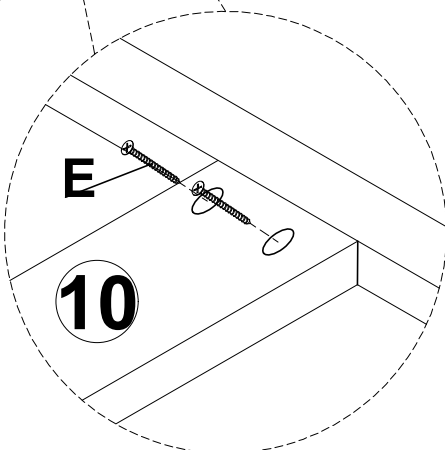
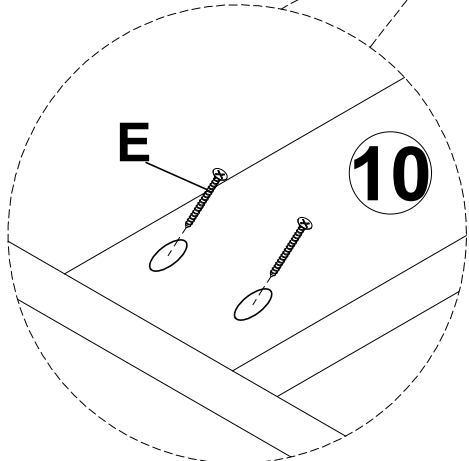
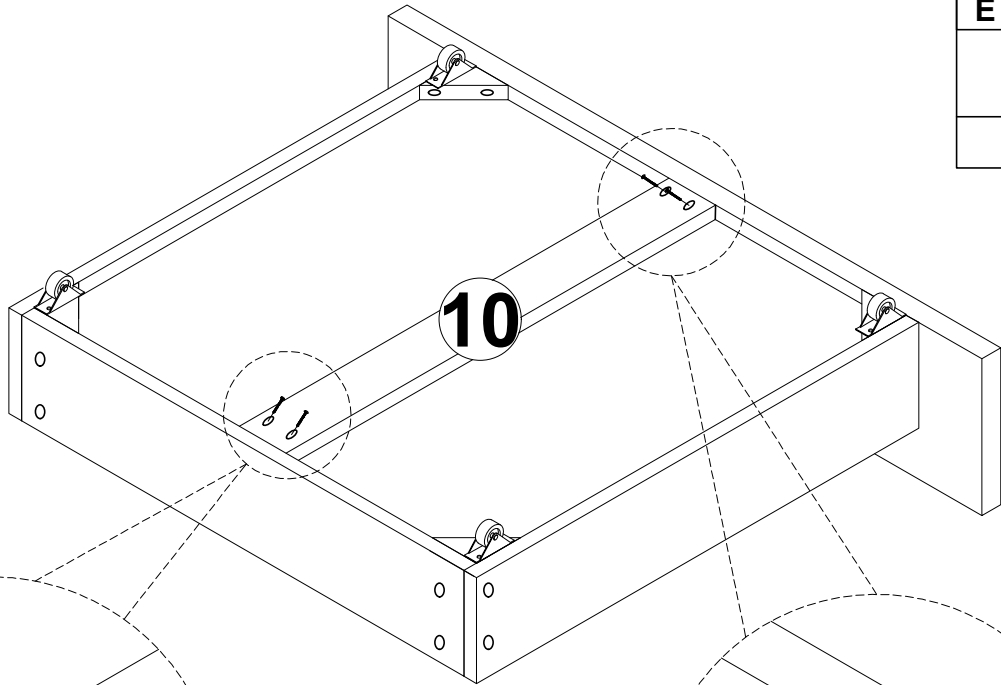
16PCS



X 2


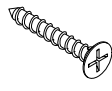
STEP 8

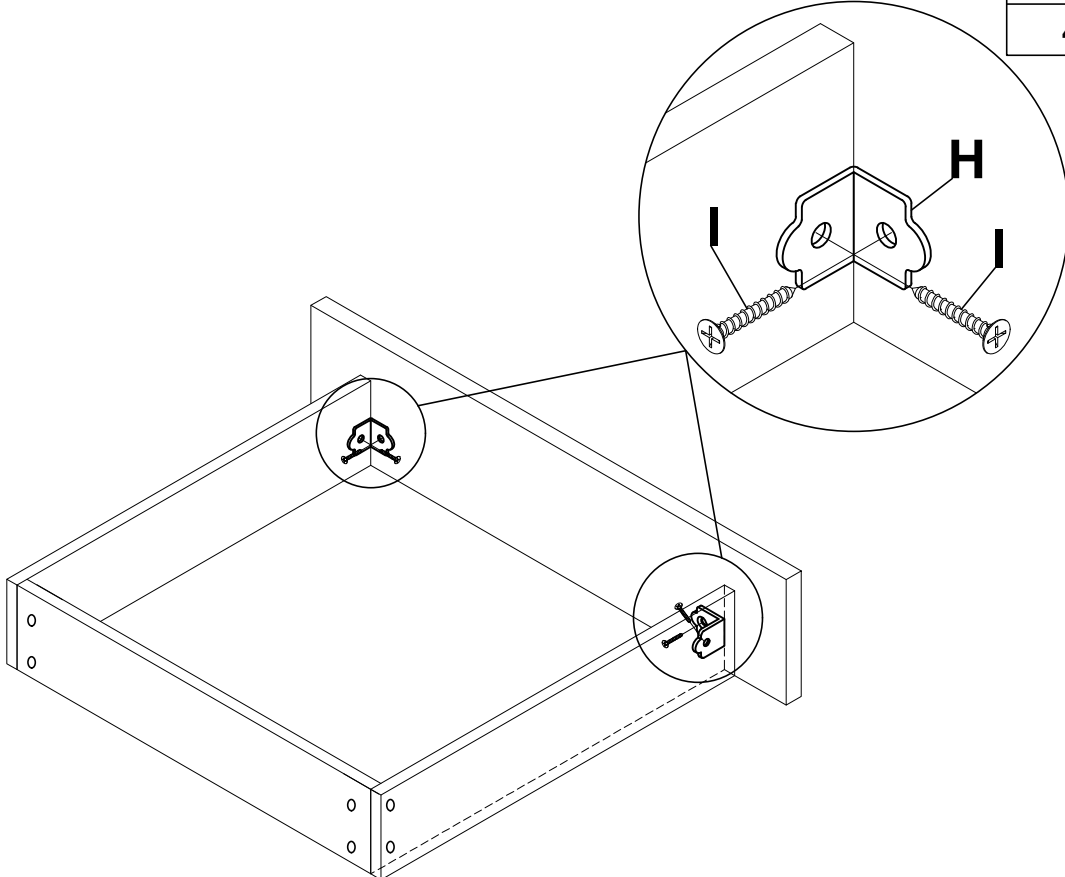
E	
8PCS	



X 2

STEP 9

H		I	
4PCS		8PCS	



X 2

STEP 10

