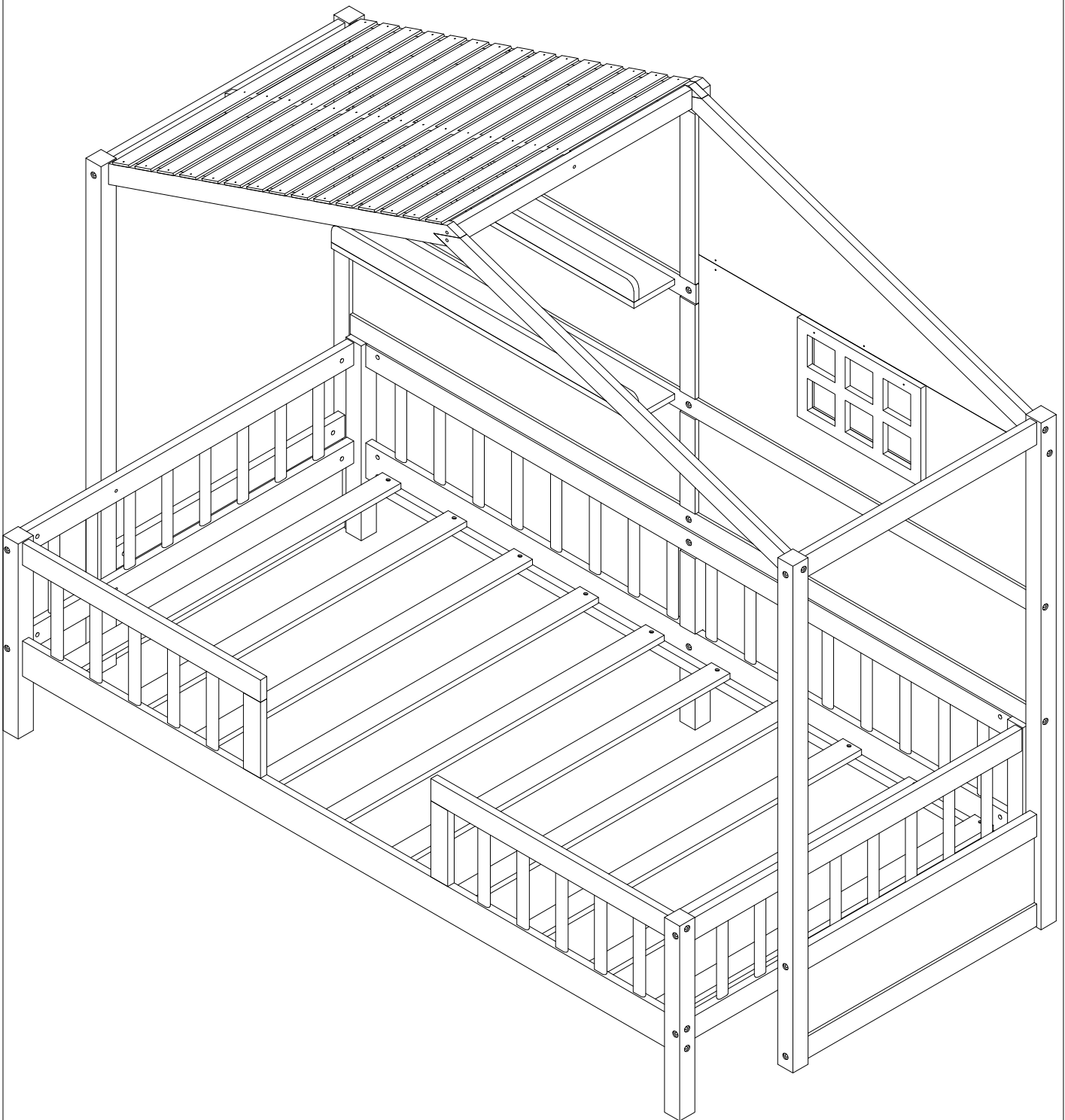


# ASSEMBLY INSTRUCTION

SKU CODE: (WF324495-WF324496)

**This set is included 2 boxes if don't receive full 2 boxes please contact our customer service team**



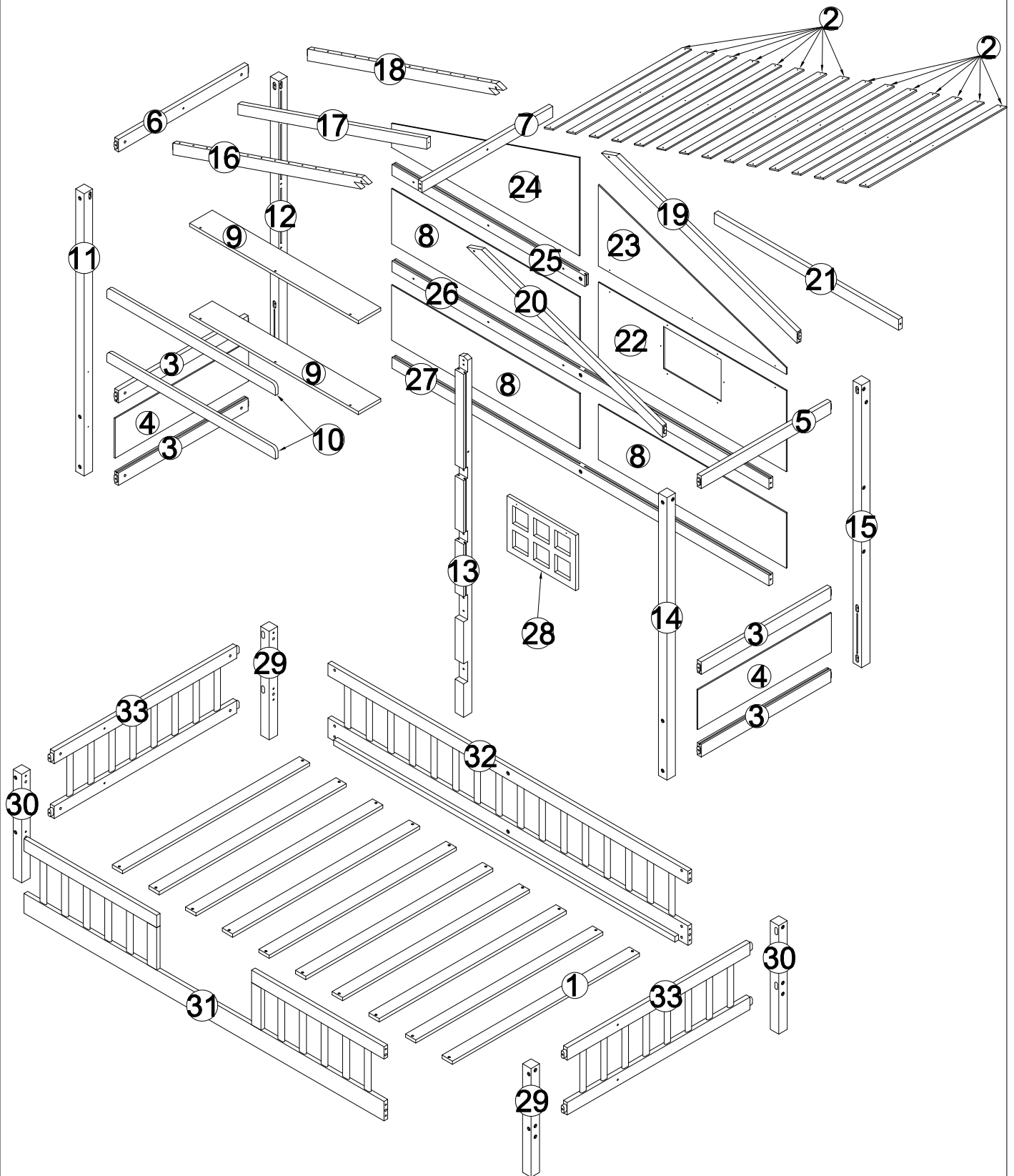
## **SAFETY WARNINGS AND GENERAL NOTES:**

1. Do not use substitute parts. Contact the manufacturer or dealer for replacement parts.
2. Keep these instructions for future reference.
3. We recommend assembling your bed on the shipping carton to protect your floor or carpet.
4. Be certain all staples are out of the box before beginning assembly on the shipping carton.

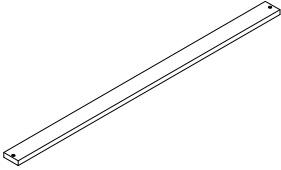





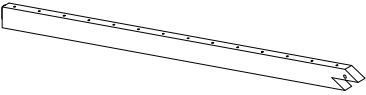
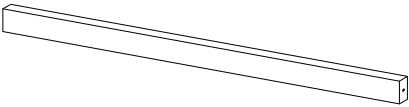
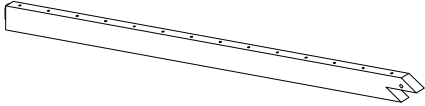
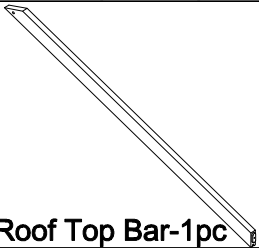
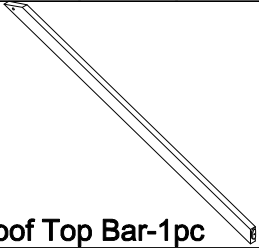
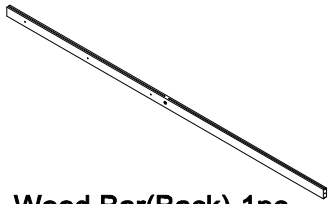
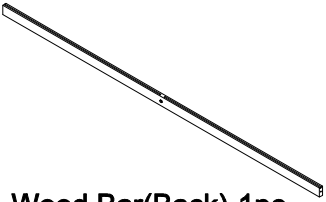

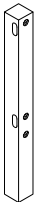
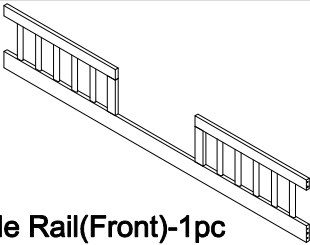
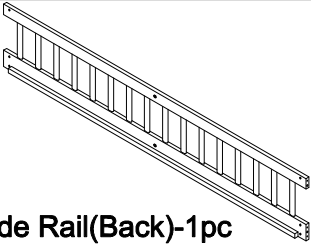
### **5.Replacement Parts:**

Replacement Parts, including additional guardrails, may be obtained from any of our (GIGACLOUD TECHNOLOGY (USA) INC.) dealers

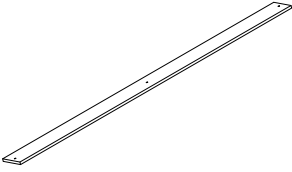
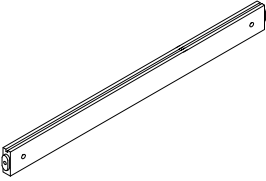
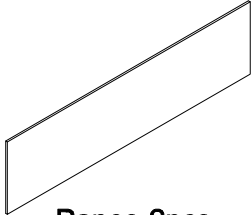
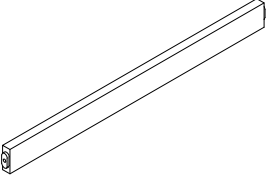
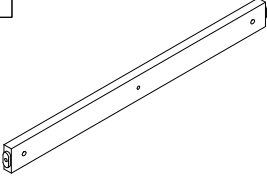
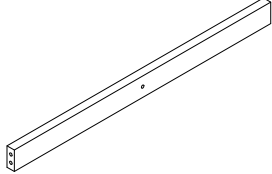
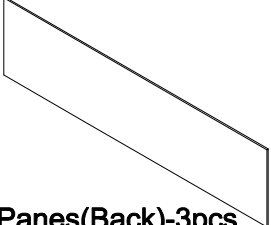
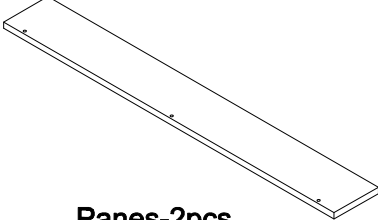
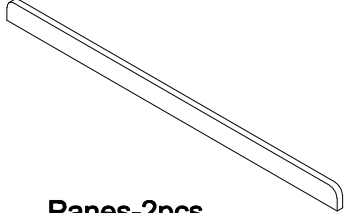
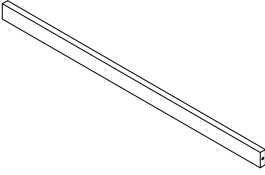
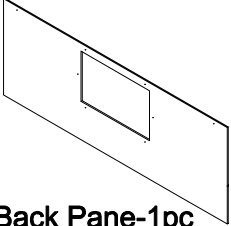
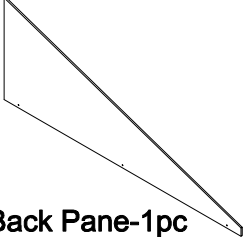

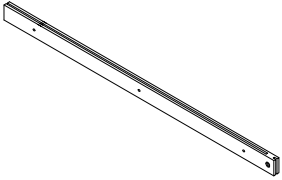
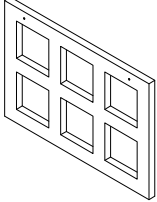
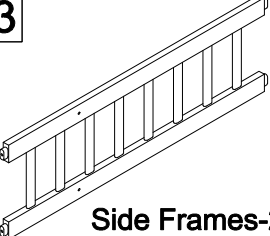
# ASSEMBLY INSTRUCTION



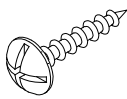
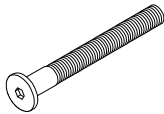
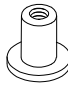
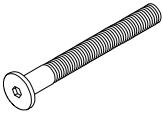


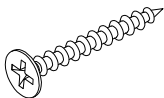
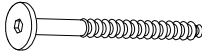
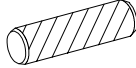

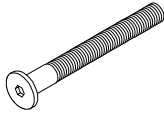
# Part List & Hardware List ( Box 1-WF324495)

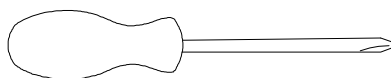
<p><b>1</b></p>  <p>Slats-10pcs</p>	<p><b>11</b></p>  <p>Leg-1pc</p>	<p><b>12</b></p>  <p>Leg-1pc</p>
<p><b>13</b></p>  <p>Leg-1pc</p>	<p><b>14</b></p>  <p>Leg-1pc</p>	<p><b>15</b></p>  <p>Leg-1pc</p>
<p><b>16</b></p>  <p>Roof Top Bar-1pc</p>	<p><b>17</b></p>  <p>Roof Top Bar-1pc</p>	<p><b>18</b></p>  <p>Roof Top Bar-1pc</p>
<p><b>19</b></p>  <p>Roof Top Bar-1pc</p>	<p><b>20</b></p>  <p>Roof Top Bar-1pc</p>	<p><b>26</b></p>  <p>Wood Bar(Back)-1pc</p>
<p><b>27</b></p>  <p>Wood Bar(Back)-1pc</p>	<p><b>29</b></p>  <p>Legs-2pcs</p>	<p><b>30</b></p>  <p>Legs-2pcs</p>
<p><b>31</b></p>  <p>Side Rail(Front)-1pc</p>	<p><b>32</b></p>  <p>Side Rail(Back)-1pc</p>	

# Part List ( Box 2-WF324496)

<p><b>2</b></p>  <p>Roof Top Panes-15pcs</p>	<p><b>3</b></p>  <p>Wood Bars-4pcs</p>	<p><b>4</b></p>  <p>Panes-2pcs</p>
<p><b>5</b></p>  <p>Wood Bar-1pc</p>	<p><b>6</b></p>  <p>Wood Bar-1pc</p>	<p><b>7</b></p>  <p>Wood Bar-1pc</p>
<p><b>8</b></p>  <p>Panes(Back)-3pcs</p>	<p><b>9</b></p>  <p>Panes-2pcs</p>	<p><b>10</b></p>  <p>Panes-2pcs</p>
<p><b>21</b></p>  <p>Wood Bar(Back)-1pc</p>	<p><b>22</b></p>  <p>Back Pane-1pc</p>	<p><b>23</b></p>  <p>Back Pane-1pc</p>
<p><b>24</b></p>  <p>Back Pane-1pc</p>	<p><b>25</b></p>  <p>Wood Bar(Back)-1pc</p>	<p><b>28</b></p>  <p>Pane-1pc</p>
<p><b>33</b></p>  <p>Side Frames-2pcs</p>		

# Hardware List (Box 1-WF324495)

<p><b>A</b></p>  <p>M4 x 15 mm Wood Screws 54pcs</p>	<p><b>B</b></p>  <p>Ø1/4" x 35 mm Hex-Head bolts 17pcs</p>	<p><b>C</b></p>  <p>Ø1/4" x 15 mm Canopy head through-bolts 5pcs</p>
<p><b>D</b></p>  <p>Ø1/4" x 90 mm Hex-Head bolts 41pcs</p>	<p><b>E</b></p>  <p>Screws 1/4"x80 4pcs</p>	<p><b>F</b></p>  <p>Ø1/4" x 13 mm Horizontal-Hole bolts 43pcs</p>
<p><b>G</b></p>  <p>M4 x 30 mm Wood Screws 22pcs</p>	<p><b>H</b></p>  <p>Screws 1/4"x50 6pcs</p>	<p><b>K</b></p>  <p>Ø10 x 40 mm Wood dowel 8pcs</p>
<p><b>L</b></p>  <p>Allen Key 1pc</p>	<p><b>N</b></p>  <p>Ø1/4" x 70 mm Hex-Head bolts 2pcs</p>	



**Assembly Tools Required (Not Included)**

# Box of Led Light (Box 1-WF324495)

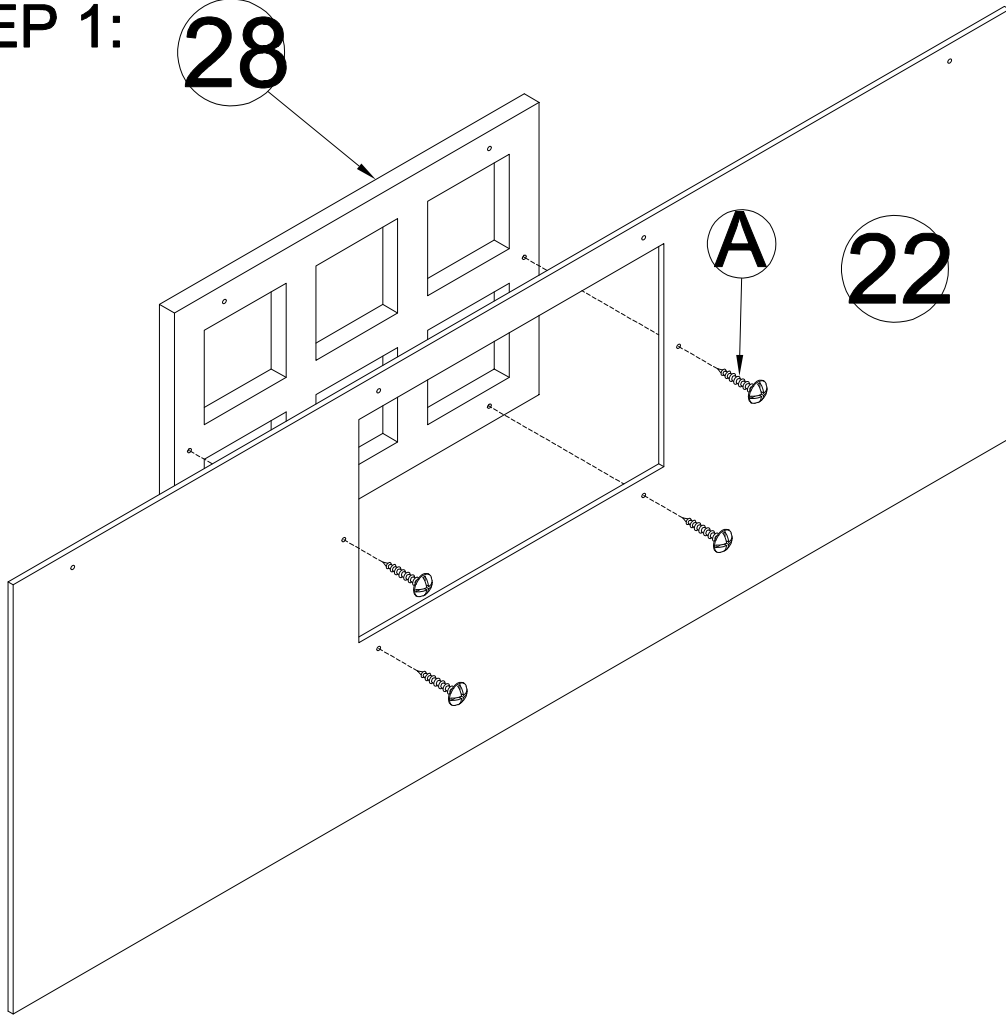
M



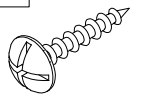
Led Light  
1pc

**STEP 1:**

**28**

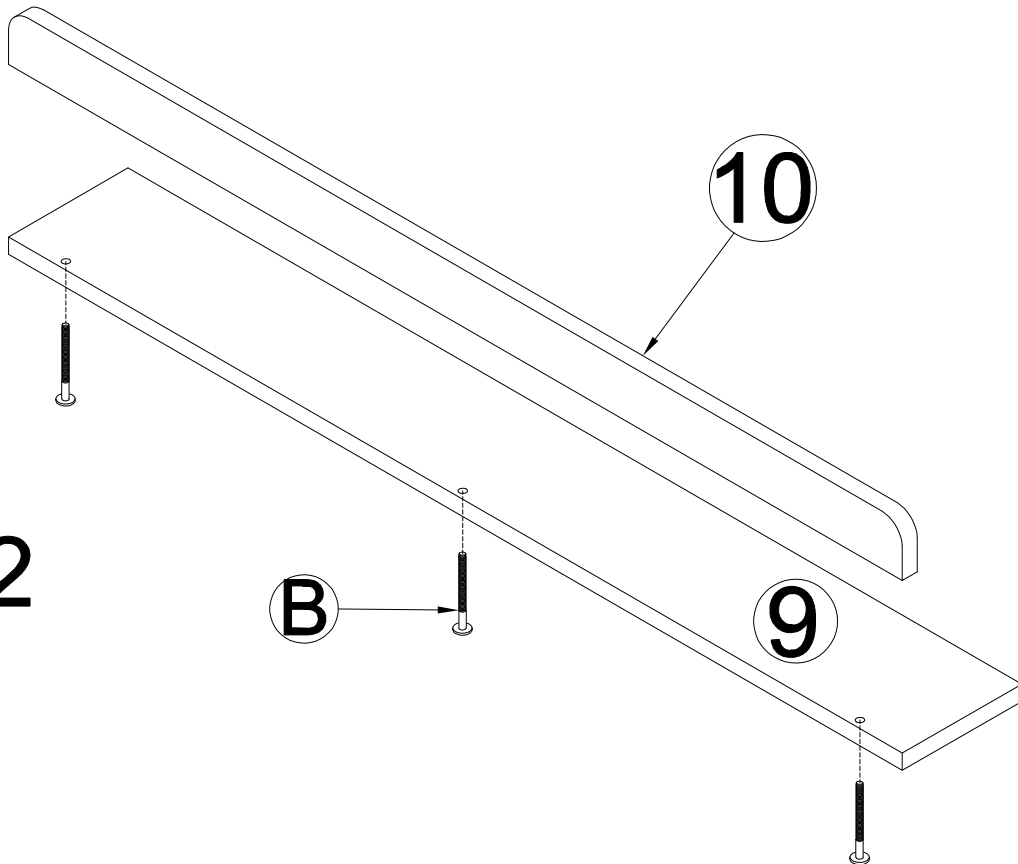


**A**

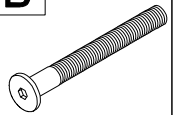


**4pcs**

**STEP 2:**



**B**



**3x2pcs**

**x2**

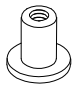
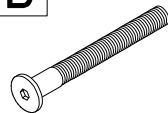

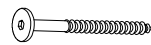
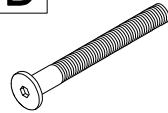
**B**

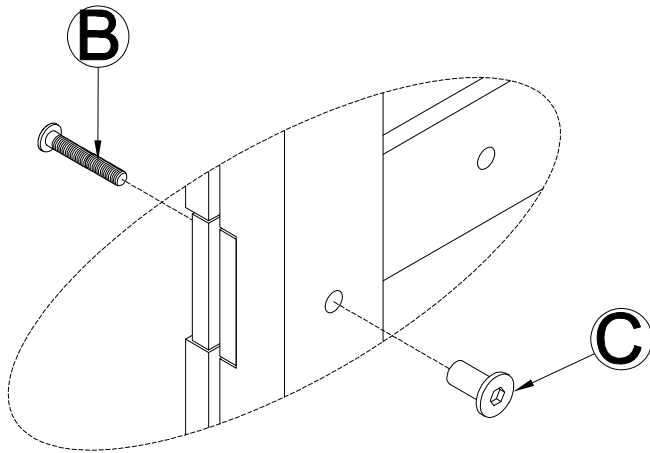
**9**



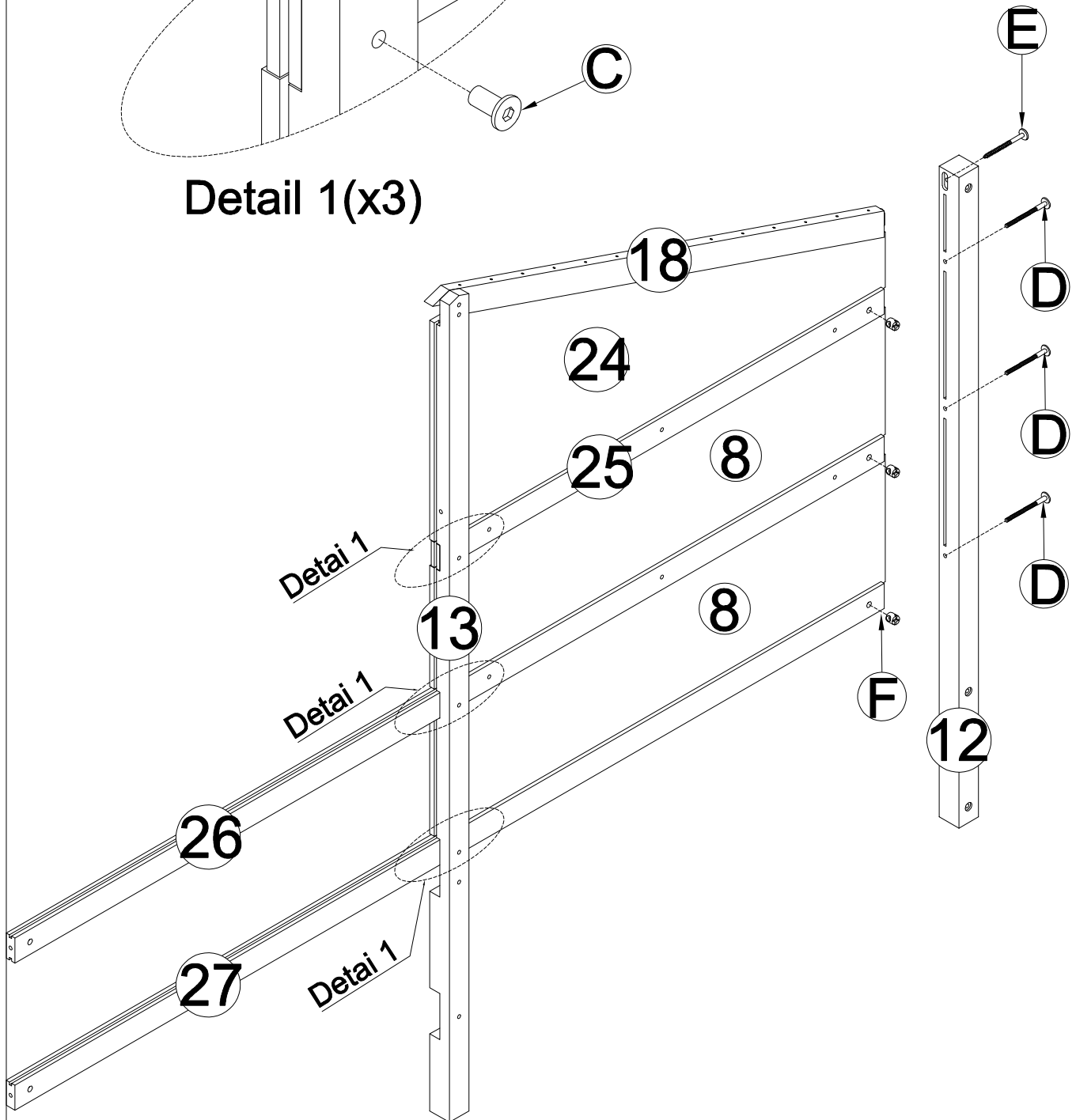
# STEP 3:

-Using HW ,#B,#C,#D,#E,#F to connect 12,13 Legs with 18,25,26,27 Wood Bars and 8(x2),24 Panes

<b>C</b> 	<b>B</b> 
3pcs	3pcs
<b>F</b> 	<b>E</b> 
3pcs	1pc
	<b>D</b> 
	3pcs


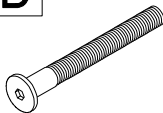
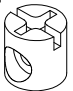


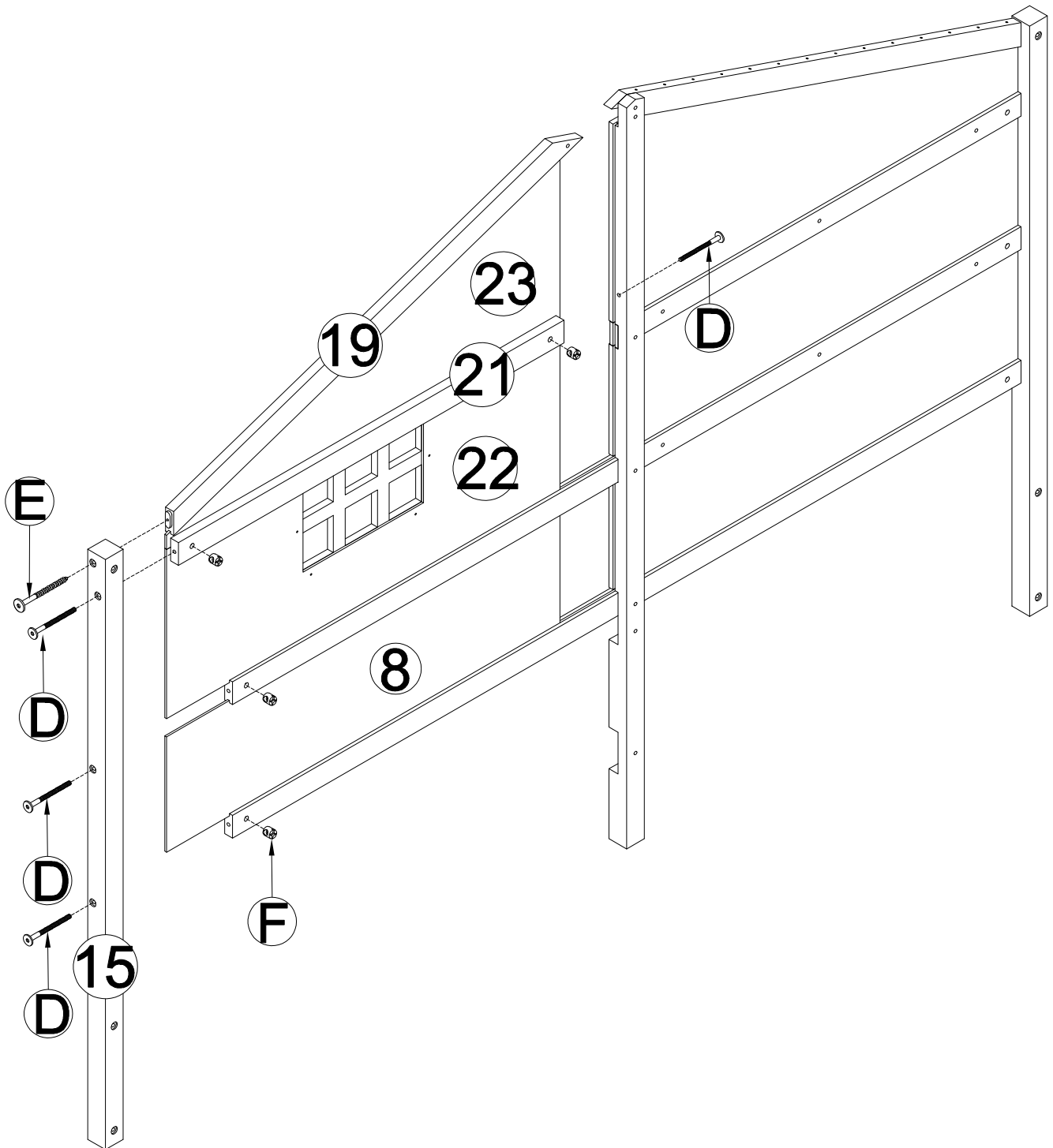
Detail 1(x3)



# STEP 4:

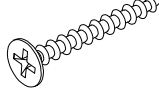
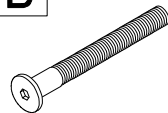
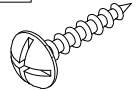
-Using HW #D,#E,#F to connect 15 Leg+19,21 Wood Bars and 8,22,23 Panes with Frame(Completed in step 3)

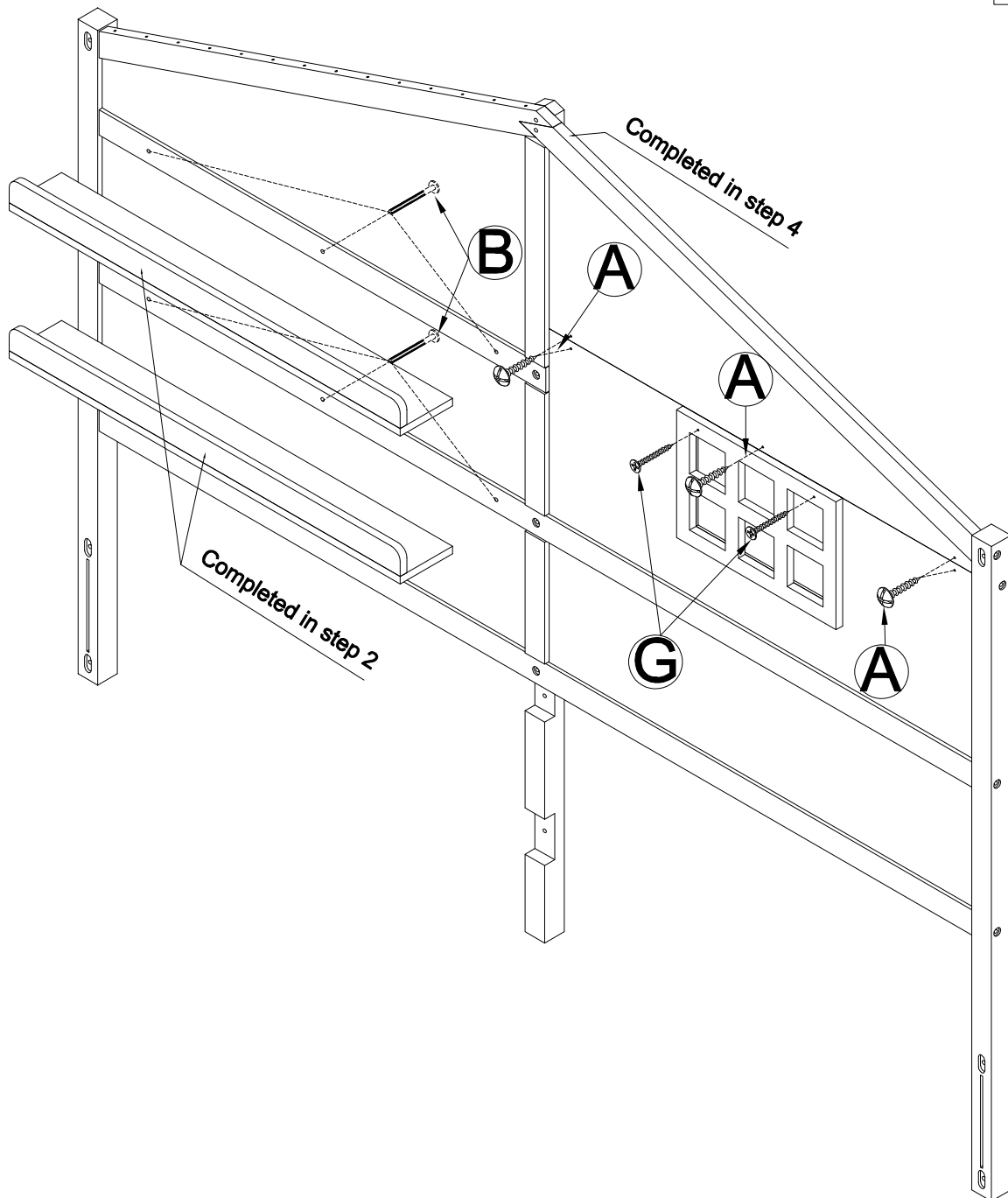
<b>E</b> 	<b>D</b> 
1pc	4pcs
	<b>F</b> 
	4pcs



# STEP 5:

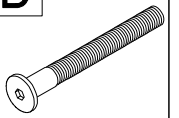
-Using HW #A,#B,#G to connect Frame(Completed in step 2) with Frame(Completed in step 4)

<b>G</b> 	<b>B</b> 
2pcs	6pcs
<b>A</b> 	
5pcs	



# STEP 6:

D

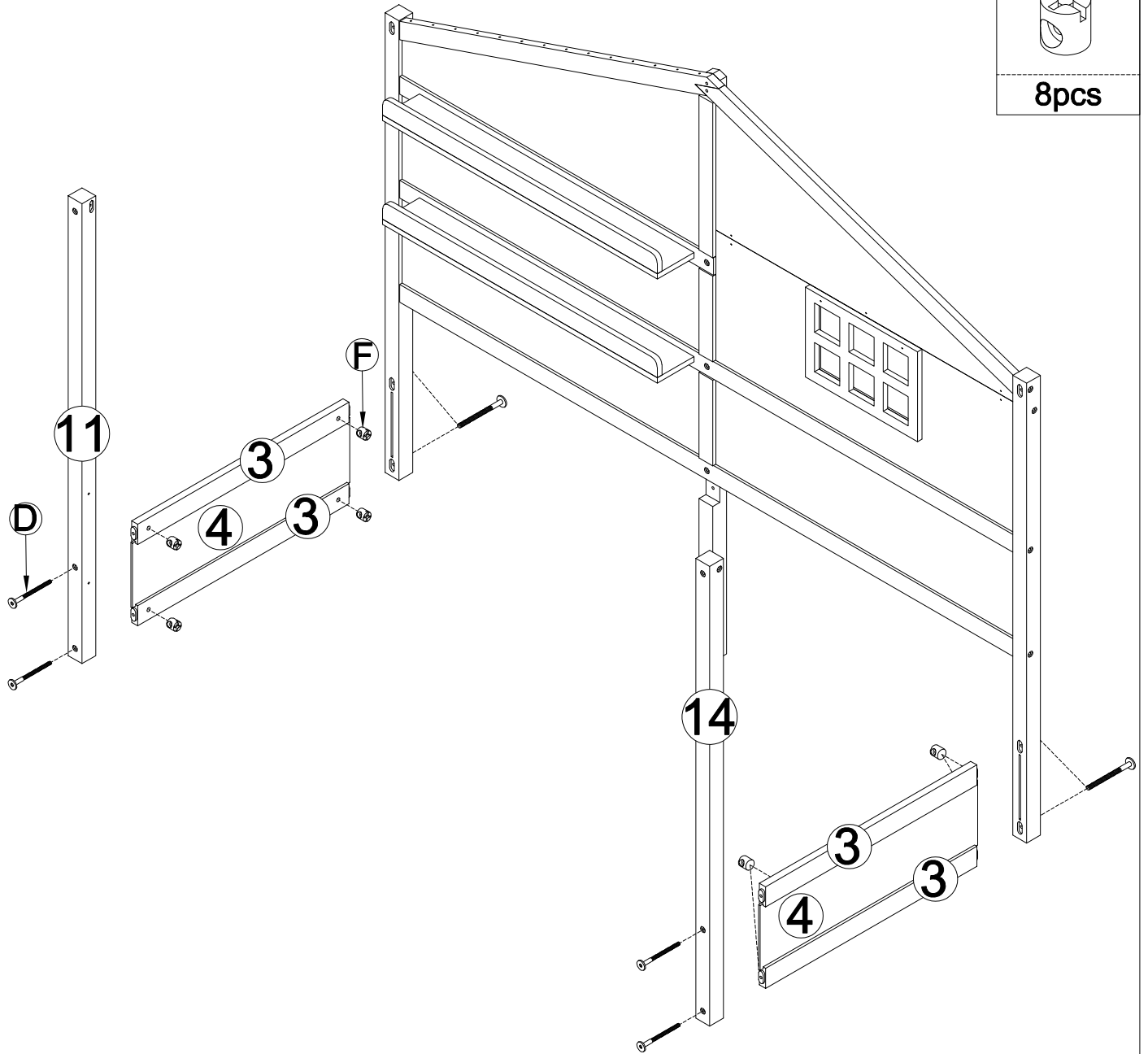


8pcs

F



8pcs

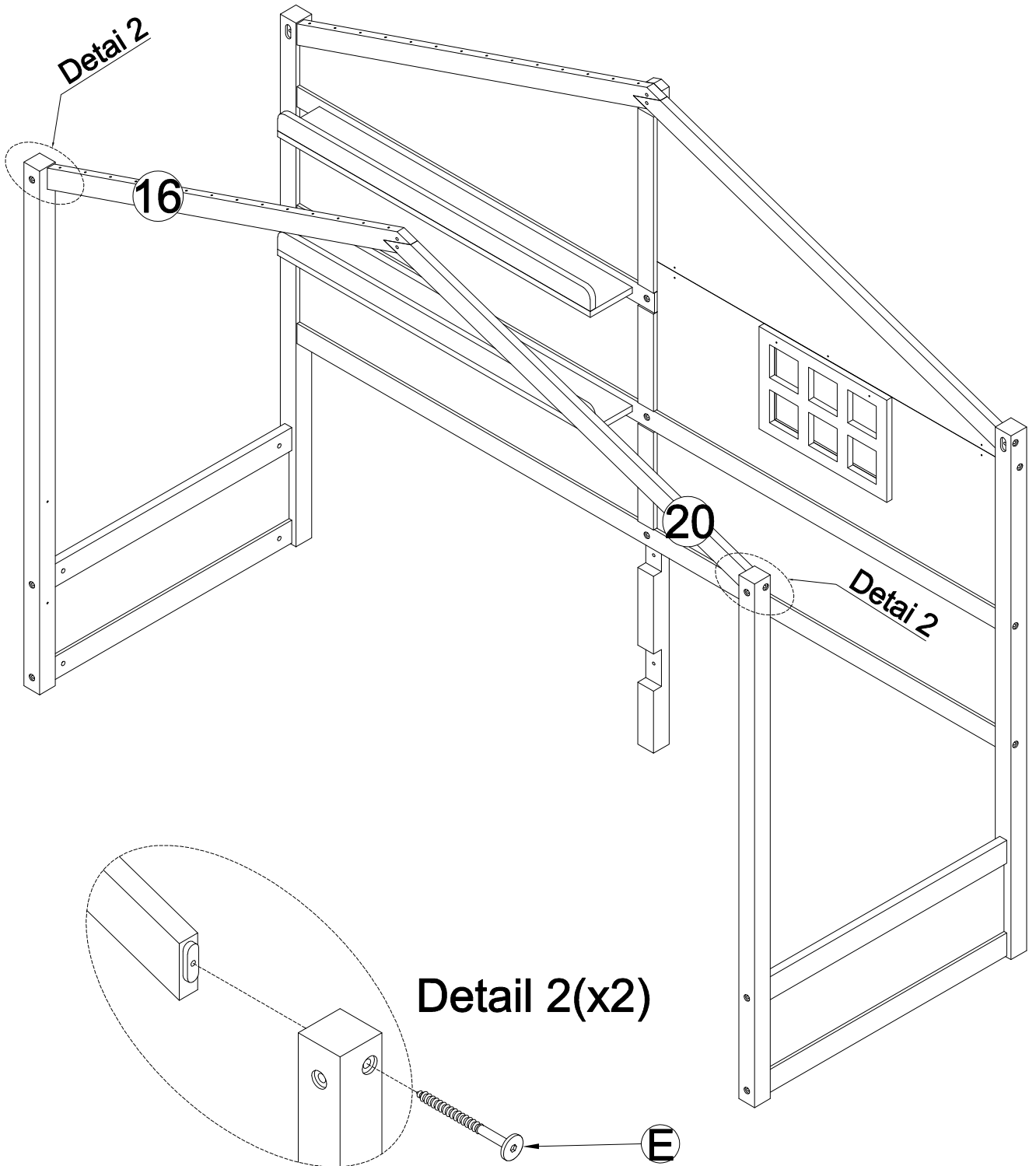


# STEP 7:

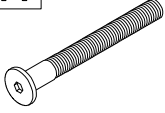
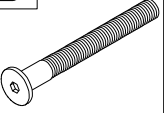
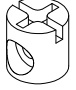
E

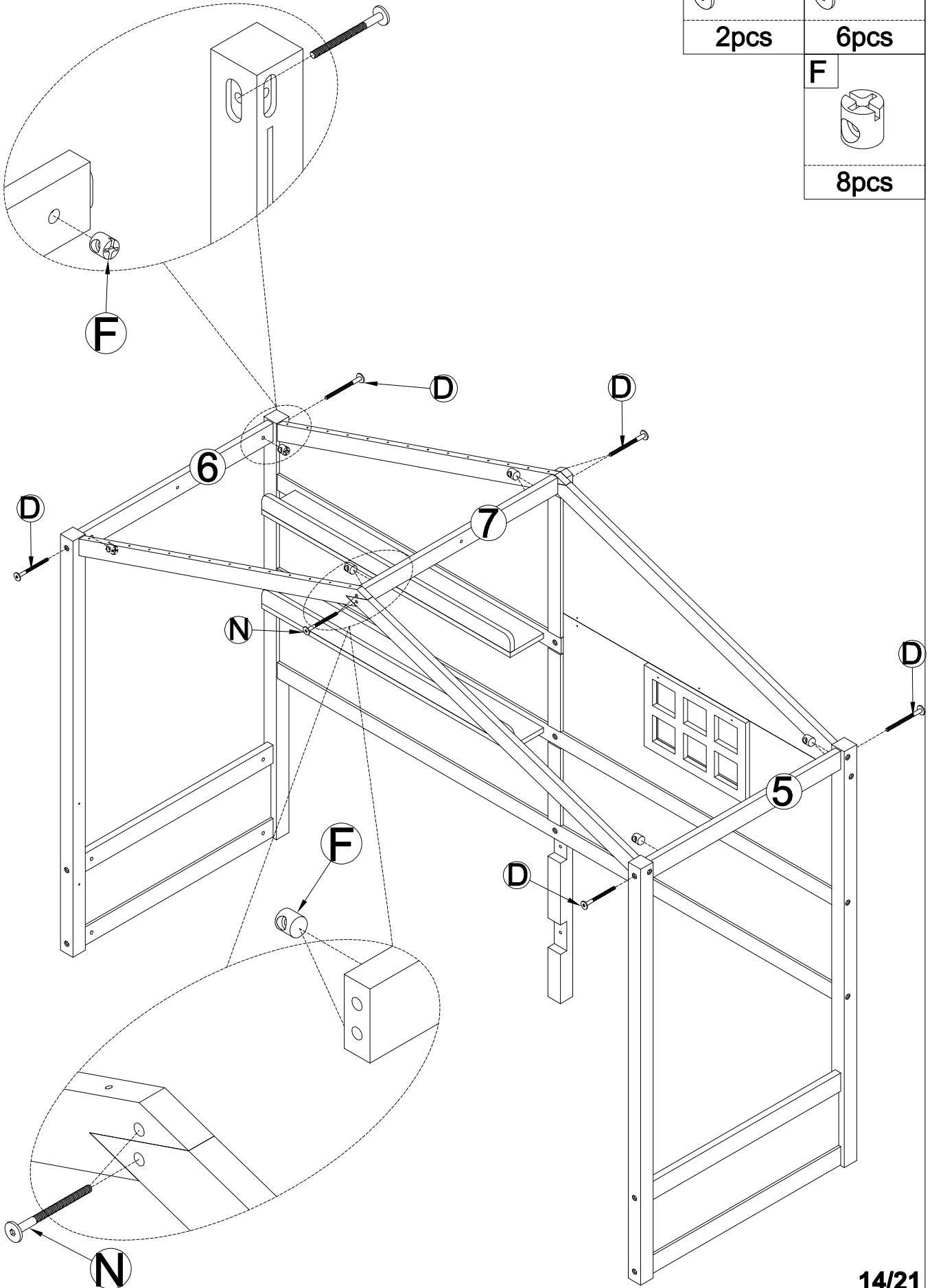


2pcs



# STEP 8:

<b>N</b>		<b>D</b>	
	2pcs		6pcs
		<b>F</b>	
			8pcs

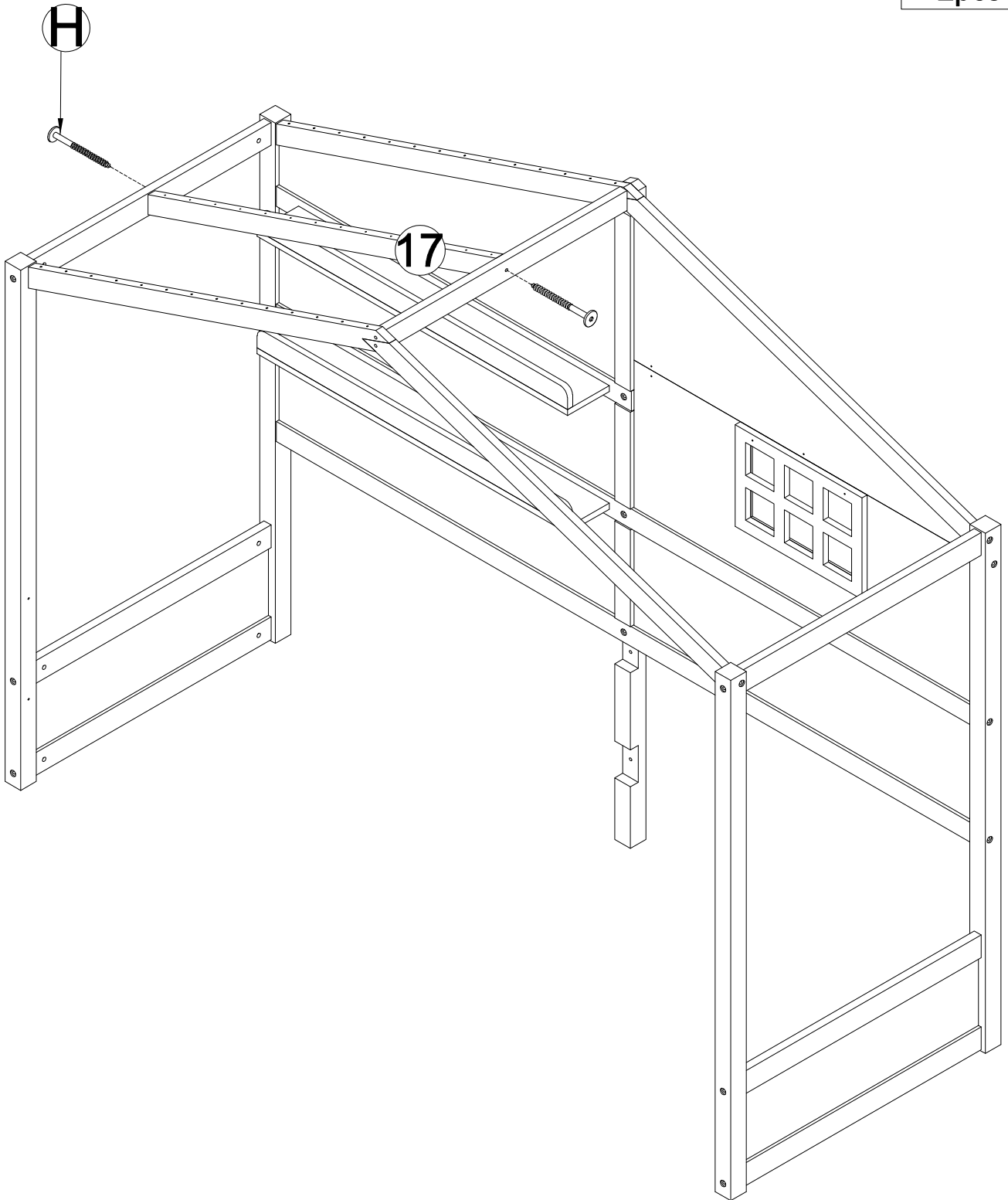


# STEP 9:

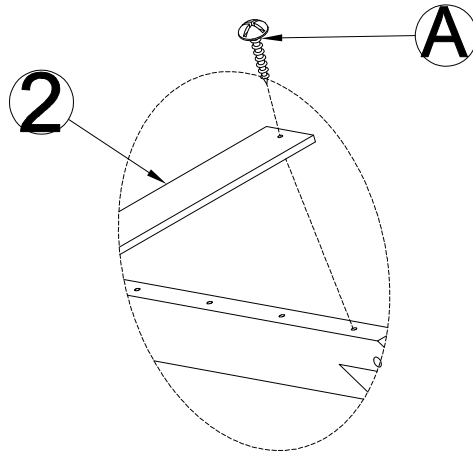
H



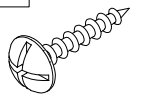
2pcs



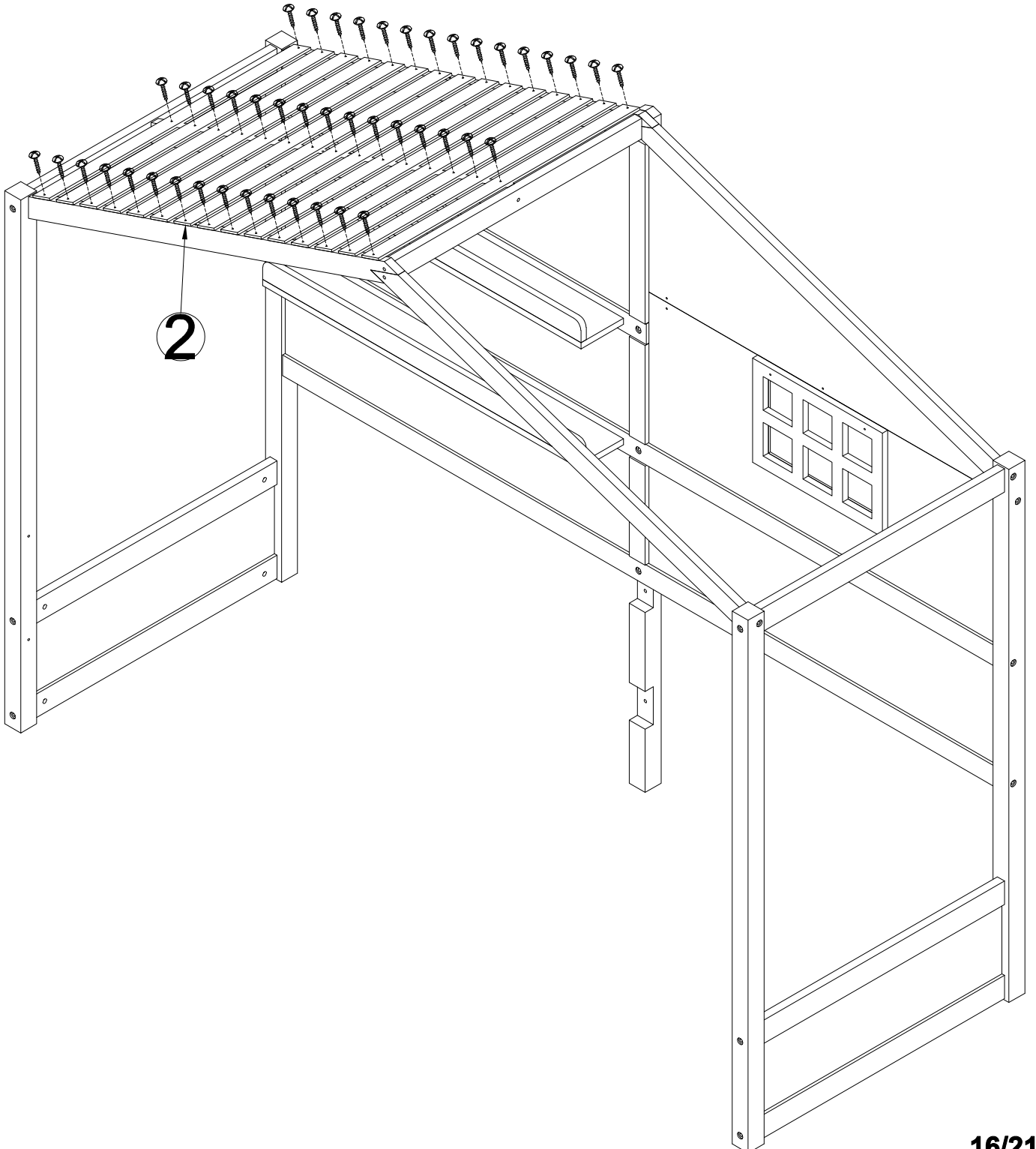
# STEP 10:



A

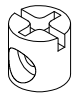
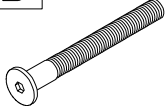


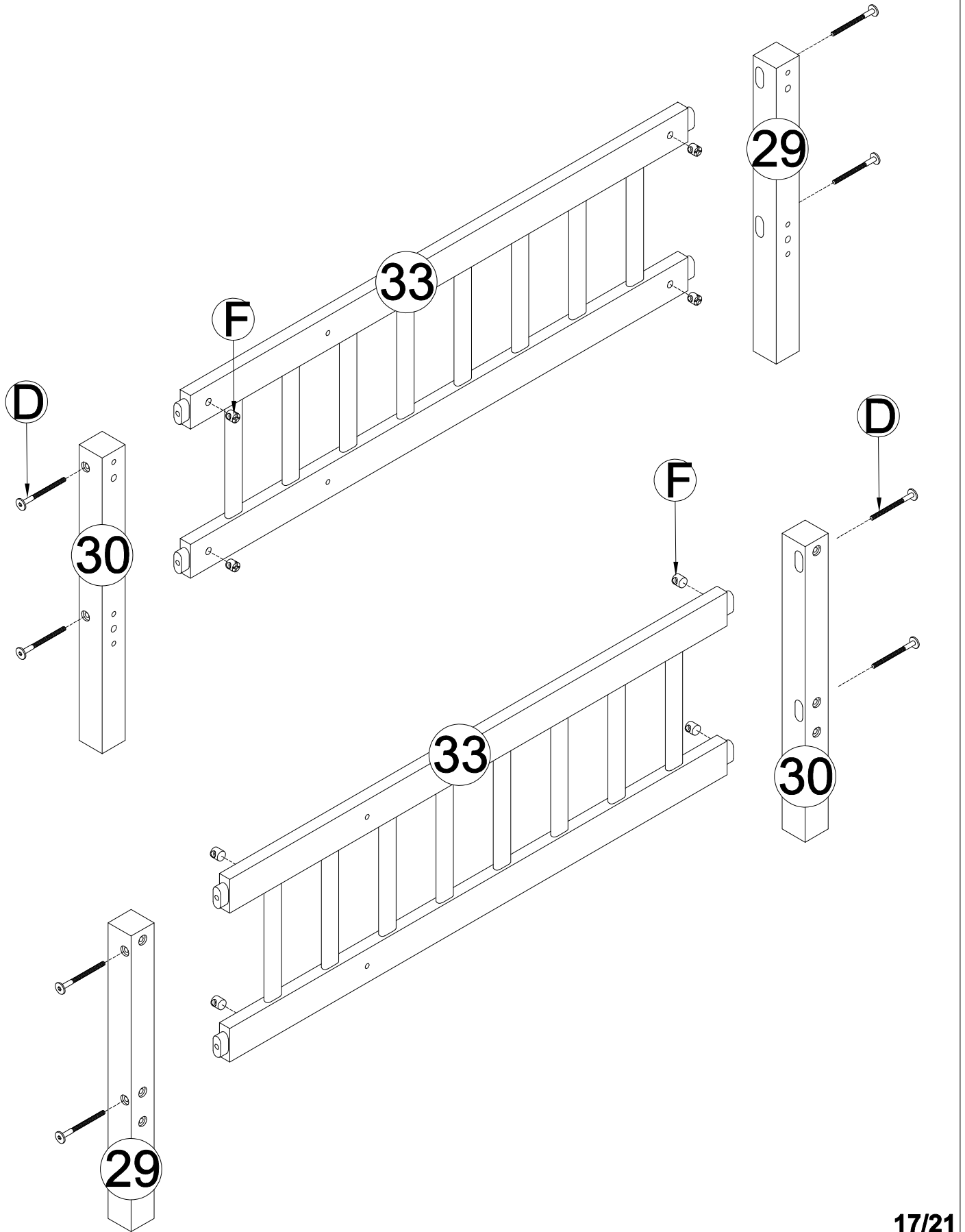
45pcs




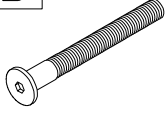



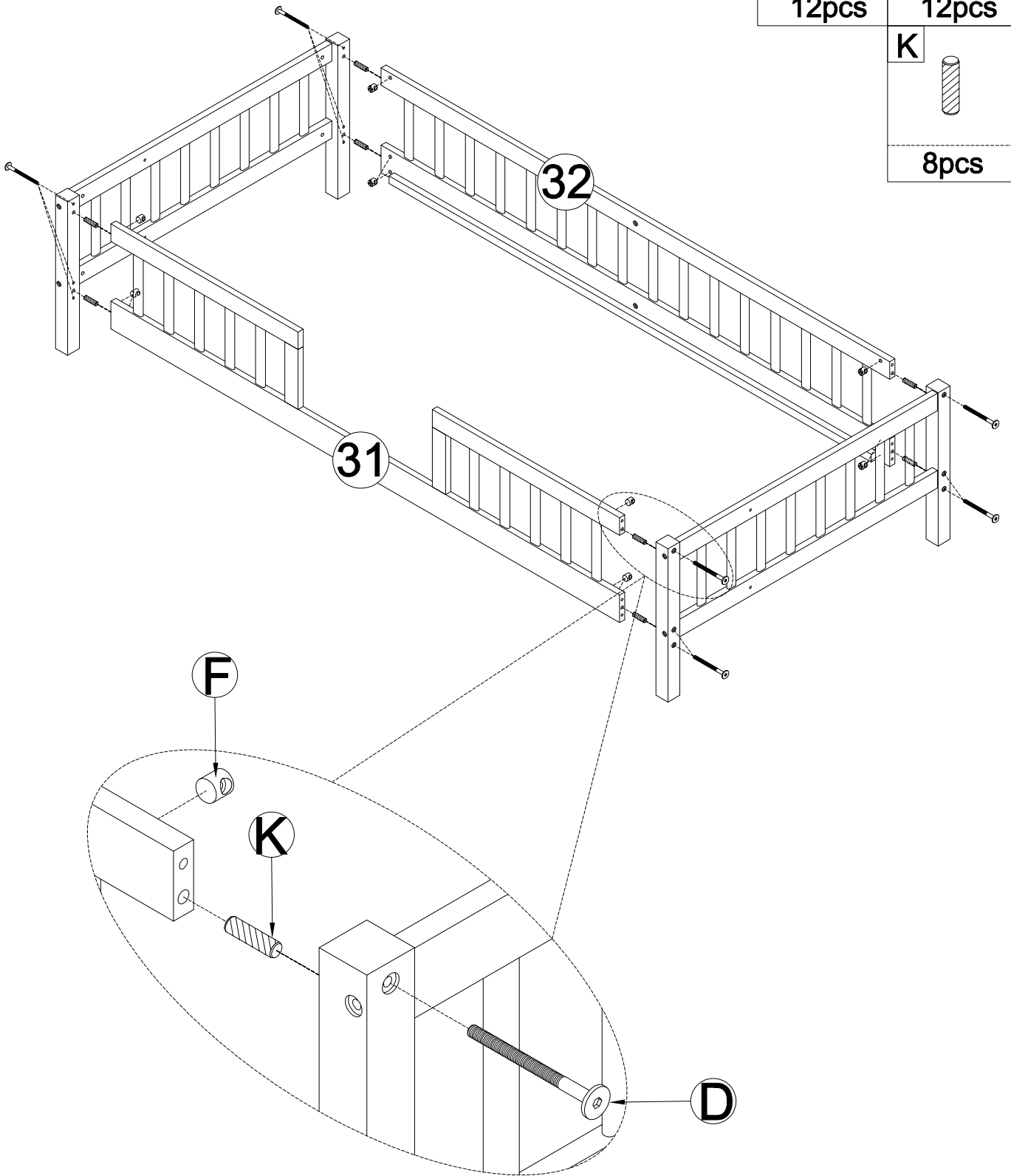
# STEP 11:

<b>F</b>		<b>D</b>	
	8pcs		8pcs



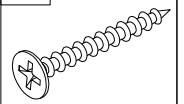
# STEP 12:

<b>F</b> 	<b>D</b> 
12pcs	12pcs
<b>K</b> 	
	8pcs

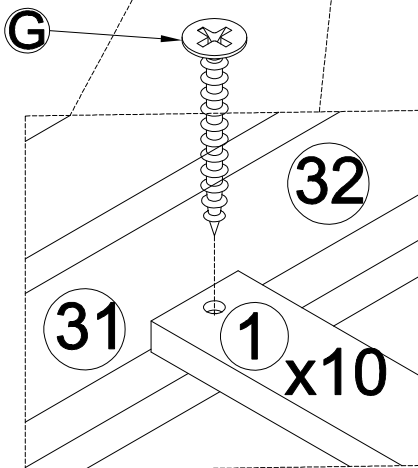
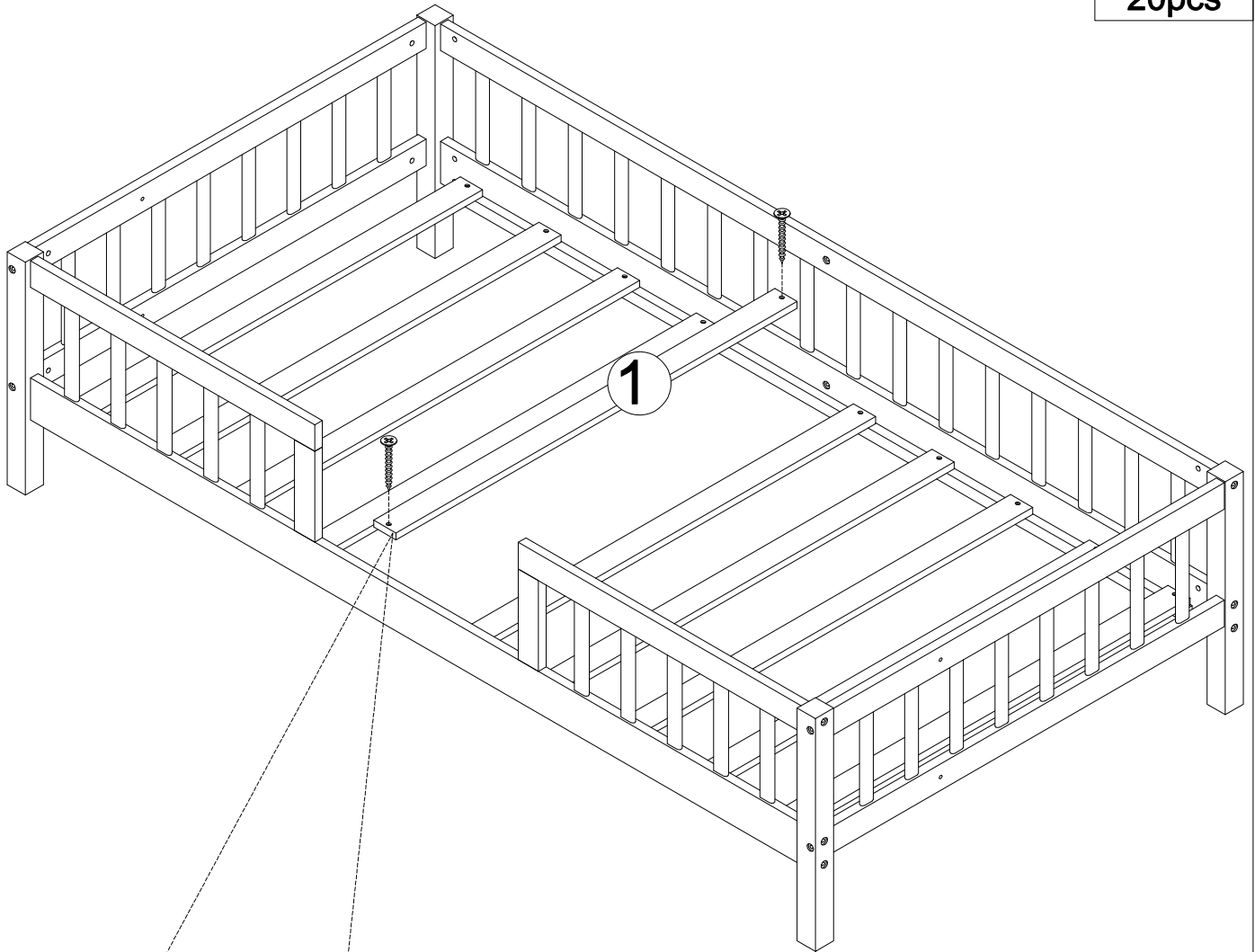


# STEP 13:

G



20pcs



# STEP 14:

-Using HW #B,#C,#H to connect Frame(Completed in step 8) with Frame(Completed in step 11)

H



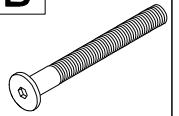
4pcs

C

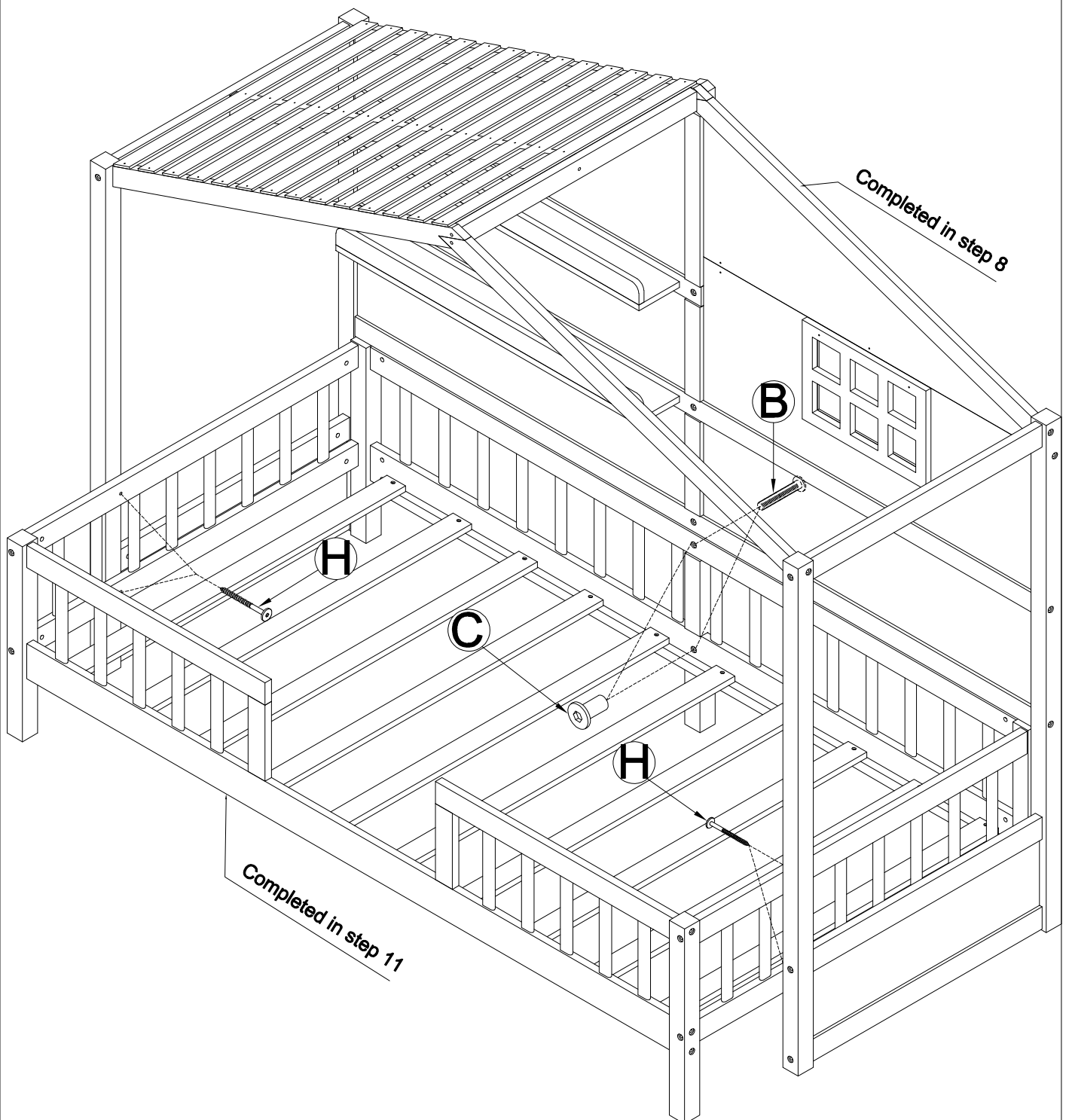


2pcs

B



2pcs



**STEP 15: CONGRATULATION. YOU HAVE COMPLETED THE BED**  
**Connect the LED wire as shown**

