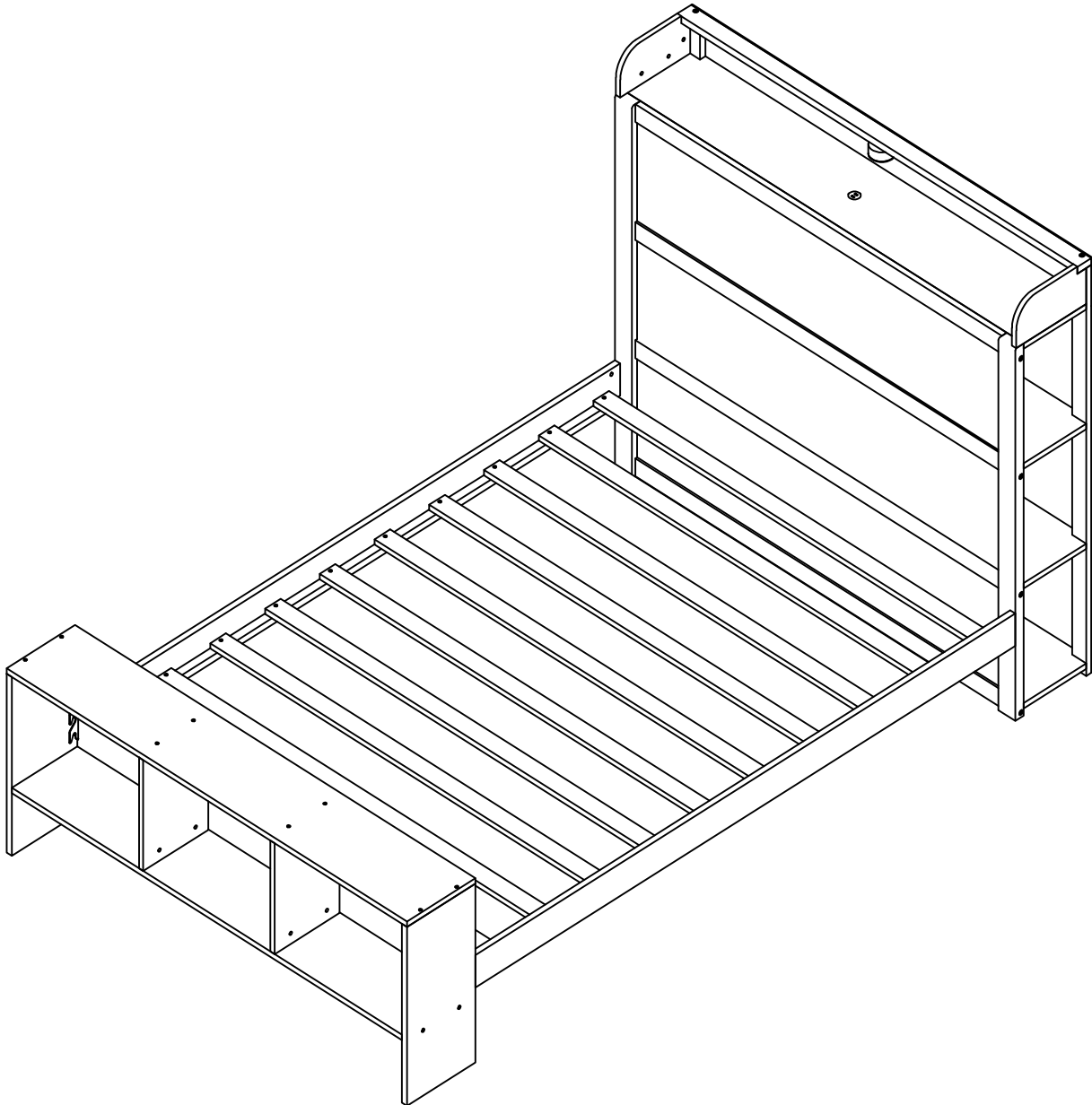
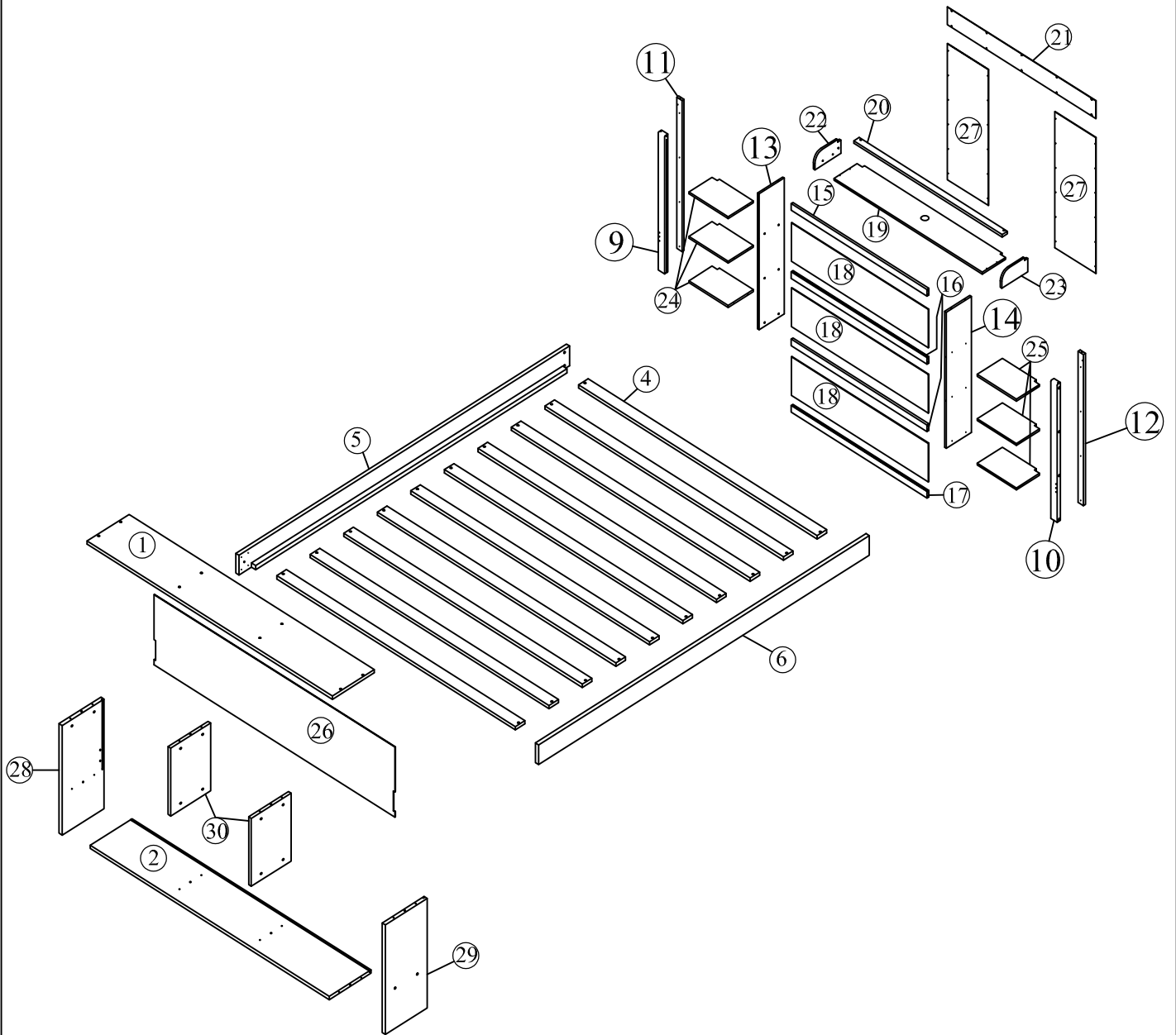


# ASSEMBLY INSTRUCTION

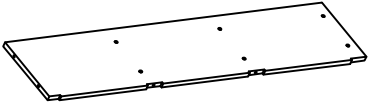
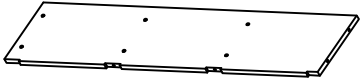
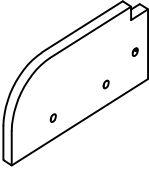
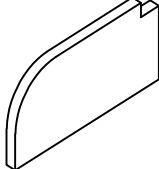
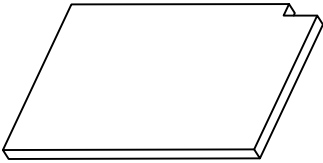
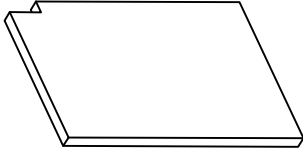
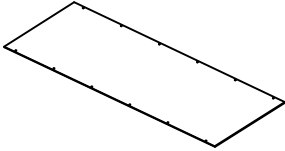

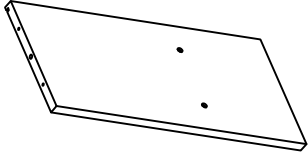
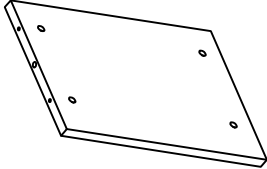

**SKU CODE:WF320762 / WF320763**



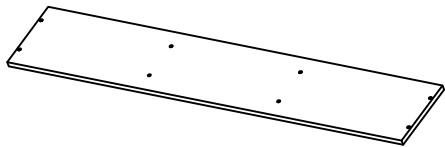
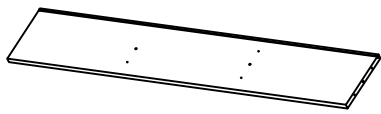


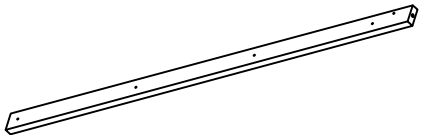

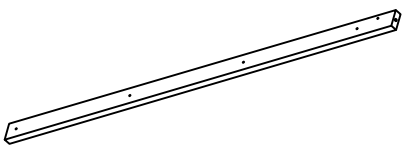
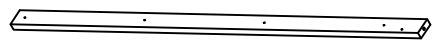
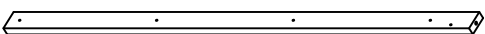

Detail:



# Part List (WF320762)

<p>⑬ x1</p>  <p>Left side panel at headboard</p>	<p>⑭ x1</p>  <p>Right side panel at headboard</p>
<p>⑳ x1</p>  <p>Side panel at headboard</p>	<p>㉑ x1</p>  <p>Side panel at headboard</p>
<p>㉒ x3</p>  <p>Shelf</p>	<p>㉓ x3</p>  <p>Shelf</p>
<p>㉔ x2</p>  <p>Back panel of headboard</p>	<p>㉕ x1</p>  <p>Side panel at footboard</p>
<p>㉖ x1</p>  <p>Side panel at footboard</p>	<p>㉗ x2</p>  <p>Center panel</p>
<p>④ x10</p>  <p>Slats</p>	

# Part List (WF320763)

<p>① x1</p>  <p><b>Top panel footboard</b></p>	<p>② x1</p>  <p><b>Bottom panel footboard</b></p>
<p>⑬ x2</p>  <p><b>Middle wood bar at headboard</b></p>	<p>⑤ x1</p>  <p><b>Side rail</b></p>
<p>⑨ x1</p>  <p><b>Left (back) post leg of headboard</b></p>	<p>⑥ x1</p>  <p><b>Side rail</b></p>
<p>⑪ x1</p>  <p><b>Left side panel at headboard</b></p>	<p>⑩ x1</p>  <p><b>Right (back) post leg of headboard</b></p>
<p>⑫ x1</p>  <p><b>Right side panel at headboard</b></p>	<p>⑮ x1</p>  <p><b>Wood bar at headboard</b></p>

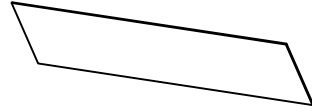
## Part List (WF320763)

17 x1



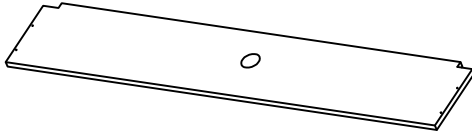
Bottom wood bar at headboard

18 x3



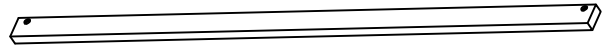
Front panel of headboard

19 x1



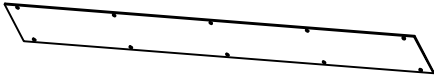
Bottom panel at headboard

20 x1



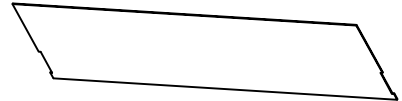
Wood bar of headboard

21 x1



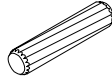


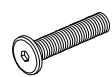




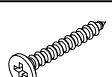
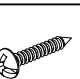

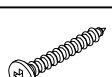
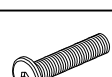



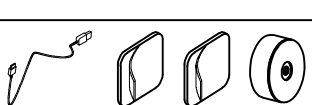

Top panel at headboard

26 x1

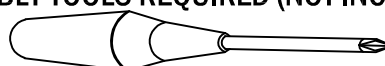


Back panel footboard



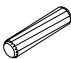
## Hardware List (WF320763)

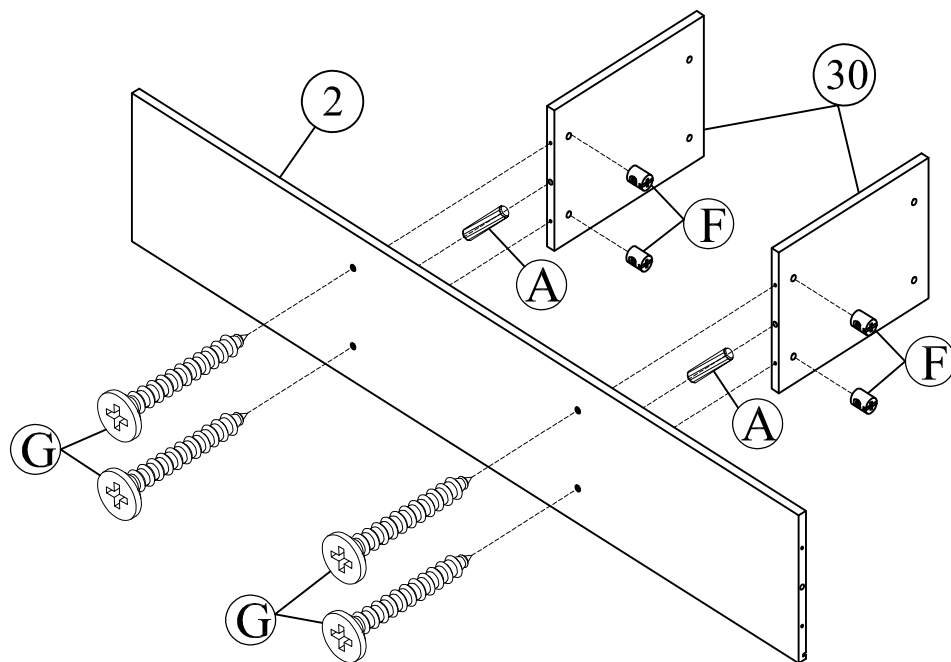
No.	OUTLOOK	DESC	QTY
(A)		Dowel Ø8*30mm	28pcs
(B)		Bolts M6*100mm	8pcs
(C)		Bolts M6*70mm	4pcs
(D)		Bolts M6*30mm	2pcs
(E)		Cross dowel M6* 13mm	12pcs
(F)		Cross dowel Ø10*10mm	42pcs
(G)		Flat head screw #8*60mm	42pcs
(H)		Flat head screw #8*25mm	20pcs
(I)		Flat head screw #7*12mm	28pcs
(J)		Round head screw #8*15mm	34pcs
(K)		Pat L	14pcs
(L)		Flat head screw #8*15mm	8pcs
(M)		Bolts M6*15mm	6pcs
(O)		Allen key 60*22*4mm	1pc
(P)		Antfly Bed Rail Brackets (L)	1pc
(Q)		Antfly Bed Rail Brackets (R)	1pc
(X)		Led Light	1pc
(T)		USB	1pc

**ASSEMBLY TOOLS REQUIRED (NOT INCLUDED)**



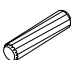


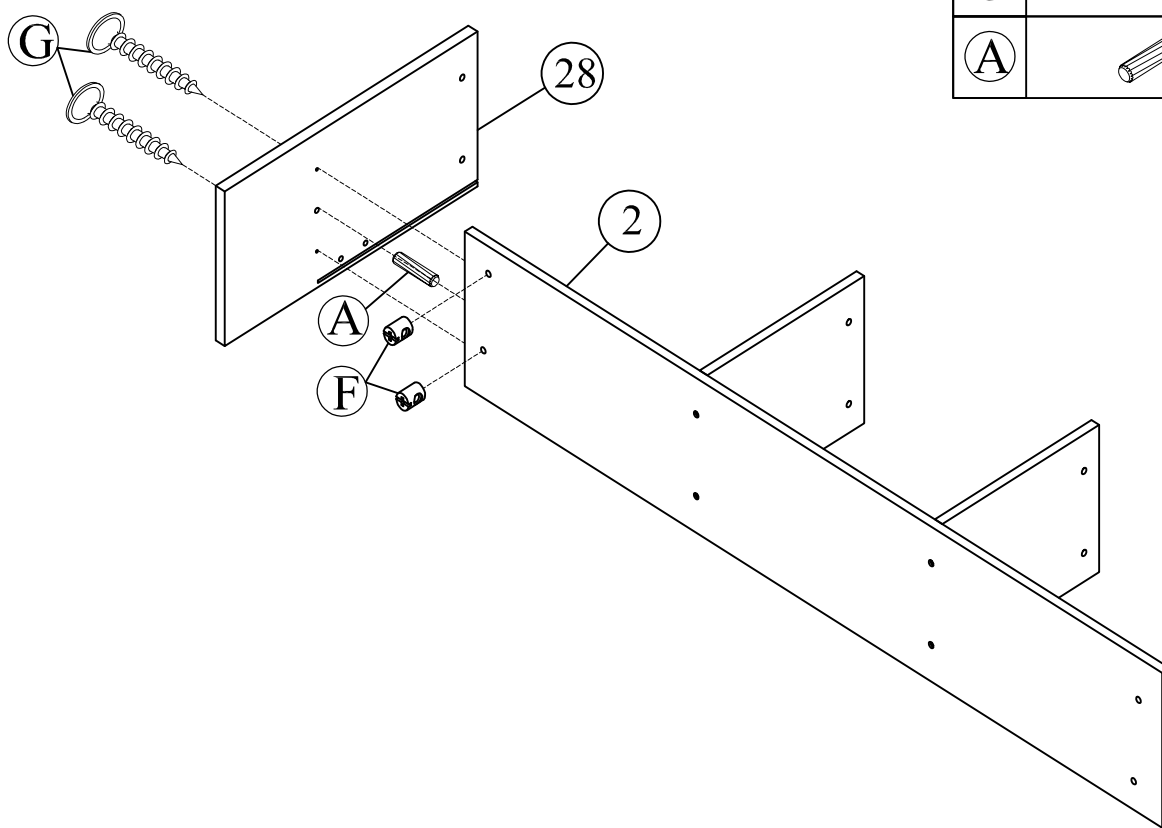
# STEP 1:

G		4pcs
F		4pcs
A		2pcs

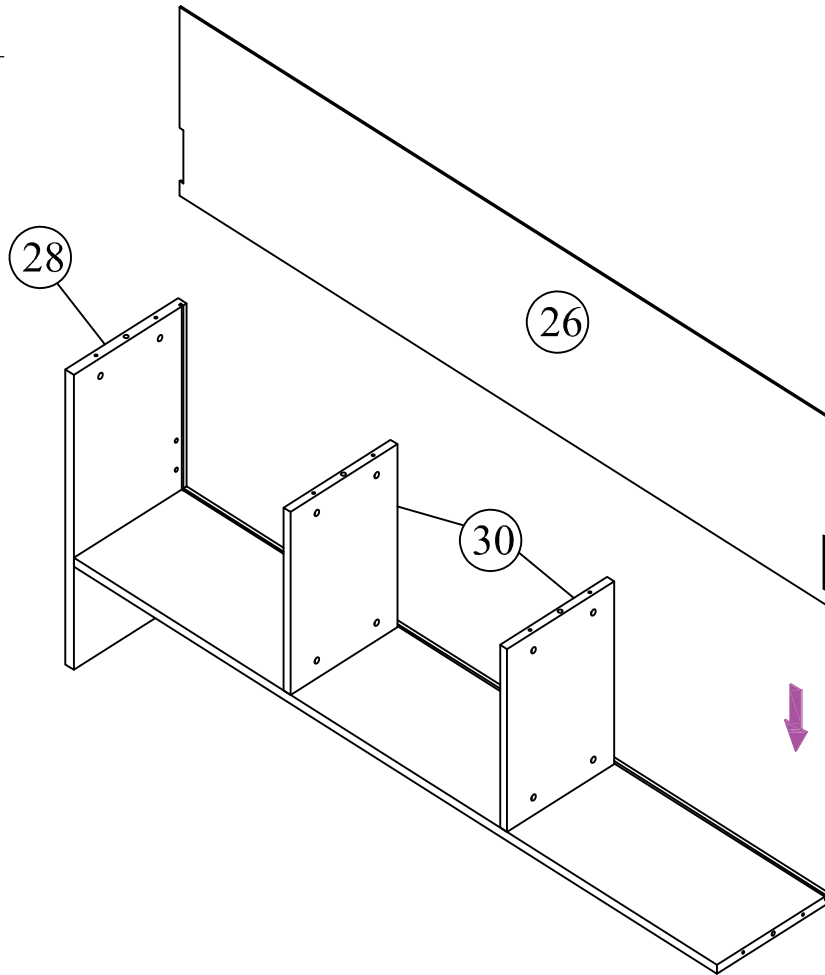


# STEP 2:

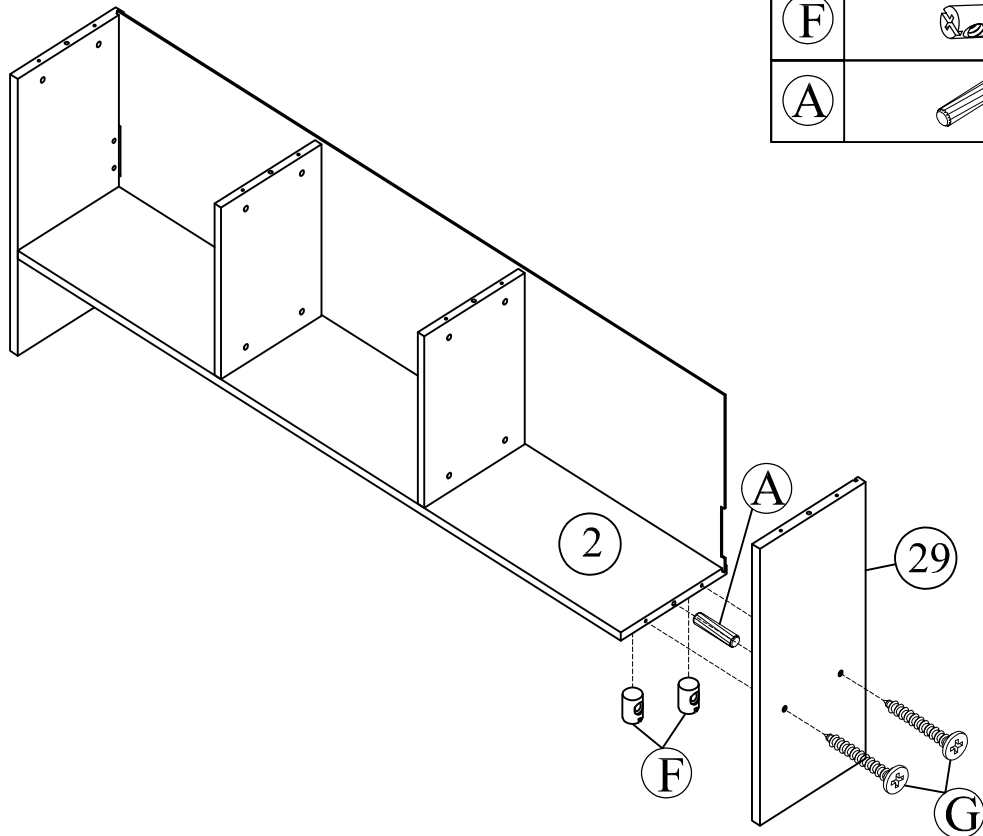
G		2pcs
F		2pcs
A		1pc

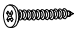

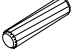


**STEP 3:**



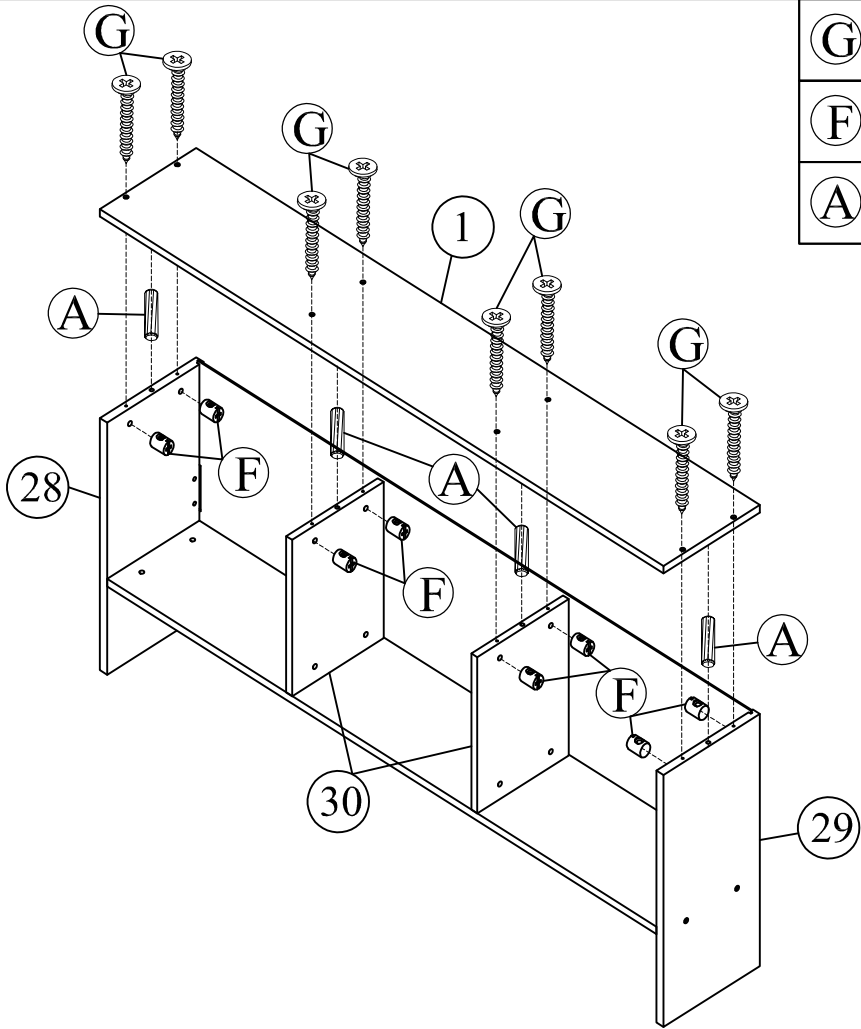
**STEP 4:**



(G)		2pcs
(F)		2pcs
(A)		1pc

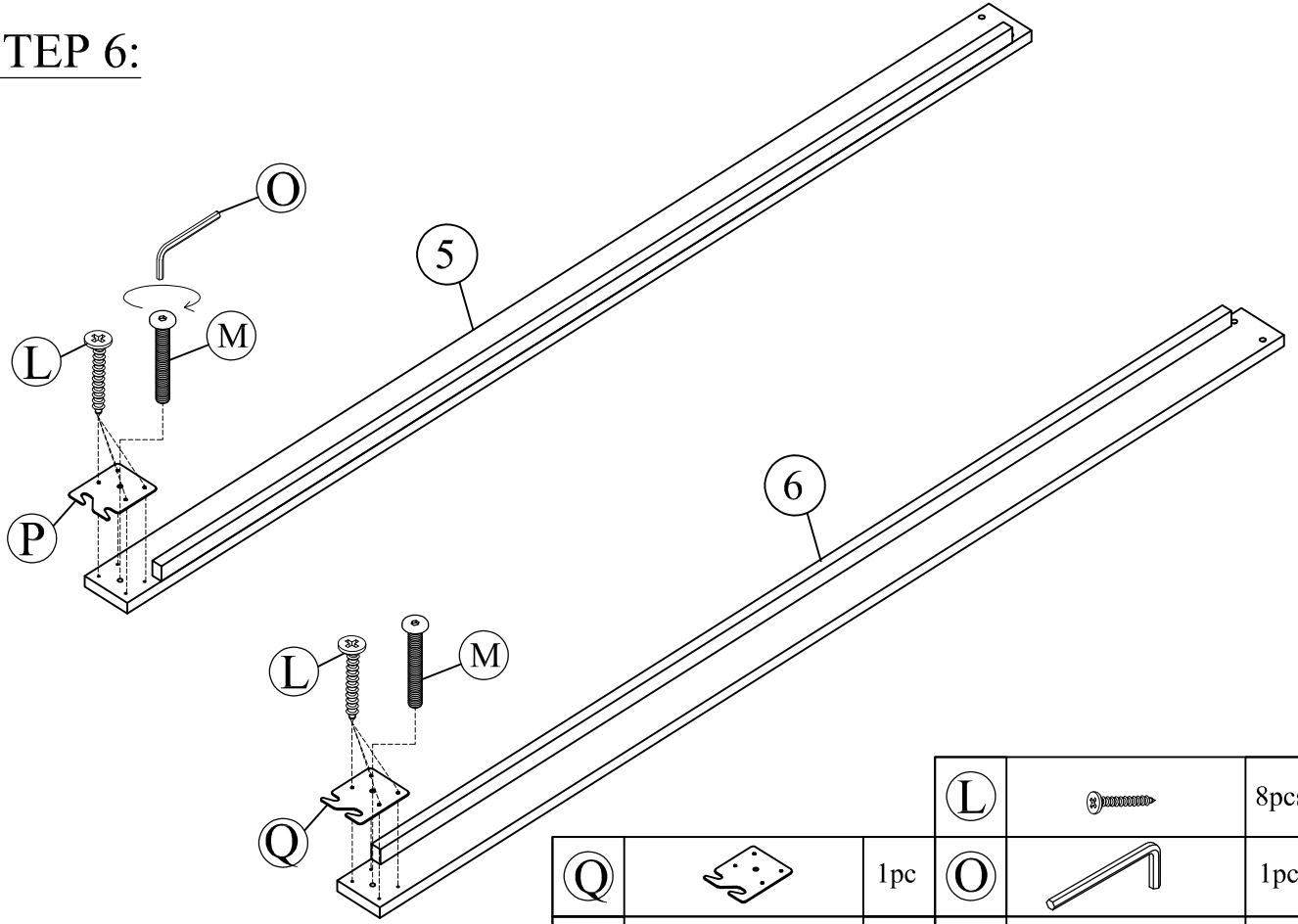


**STEP 5:**




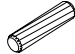


(G)		8pcs
(F)		8pcs
(A)		4pcs

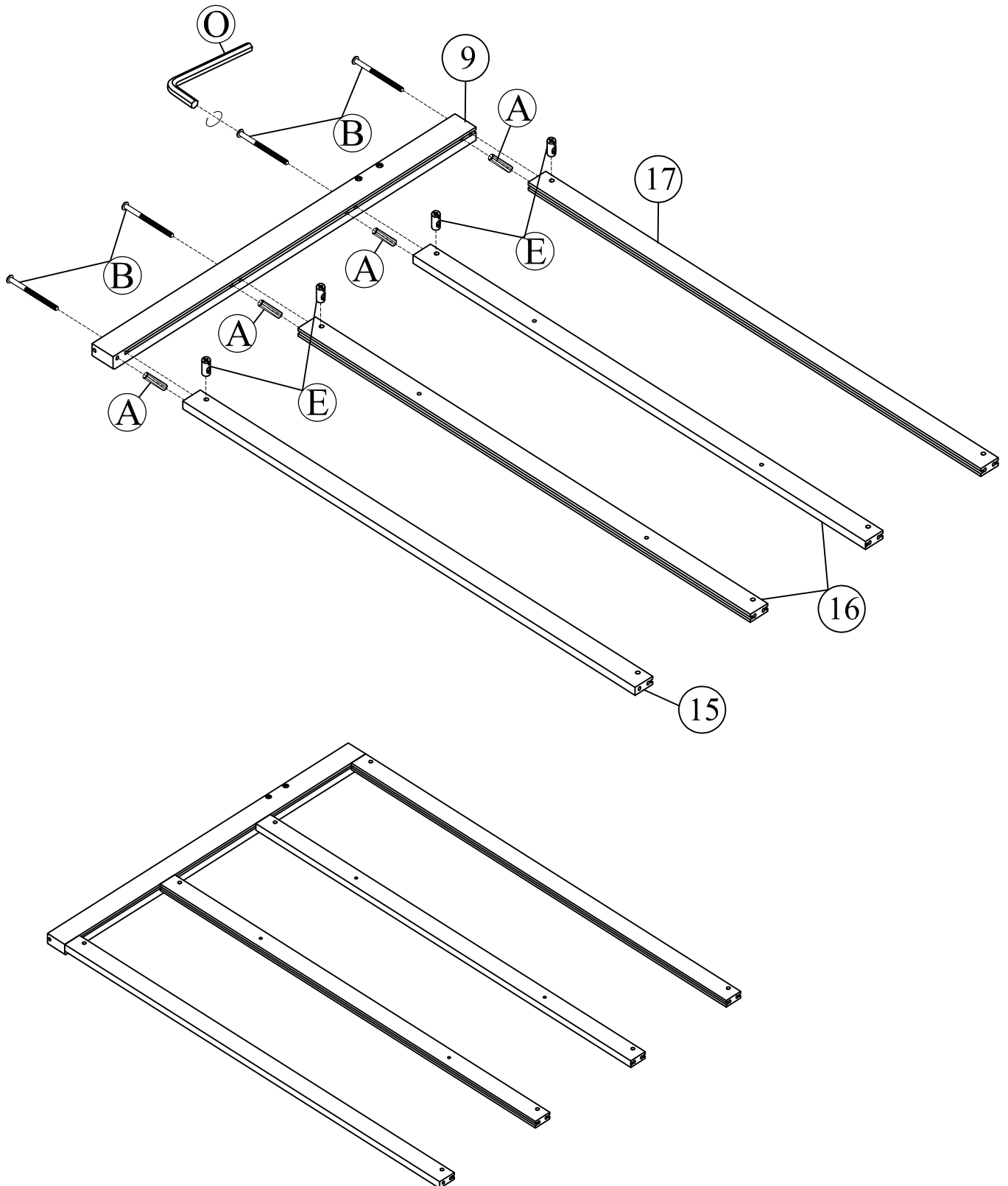
**STEP 6:**



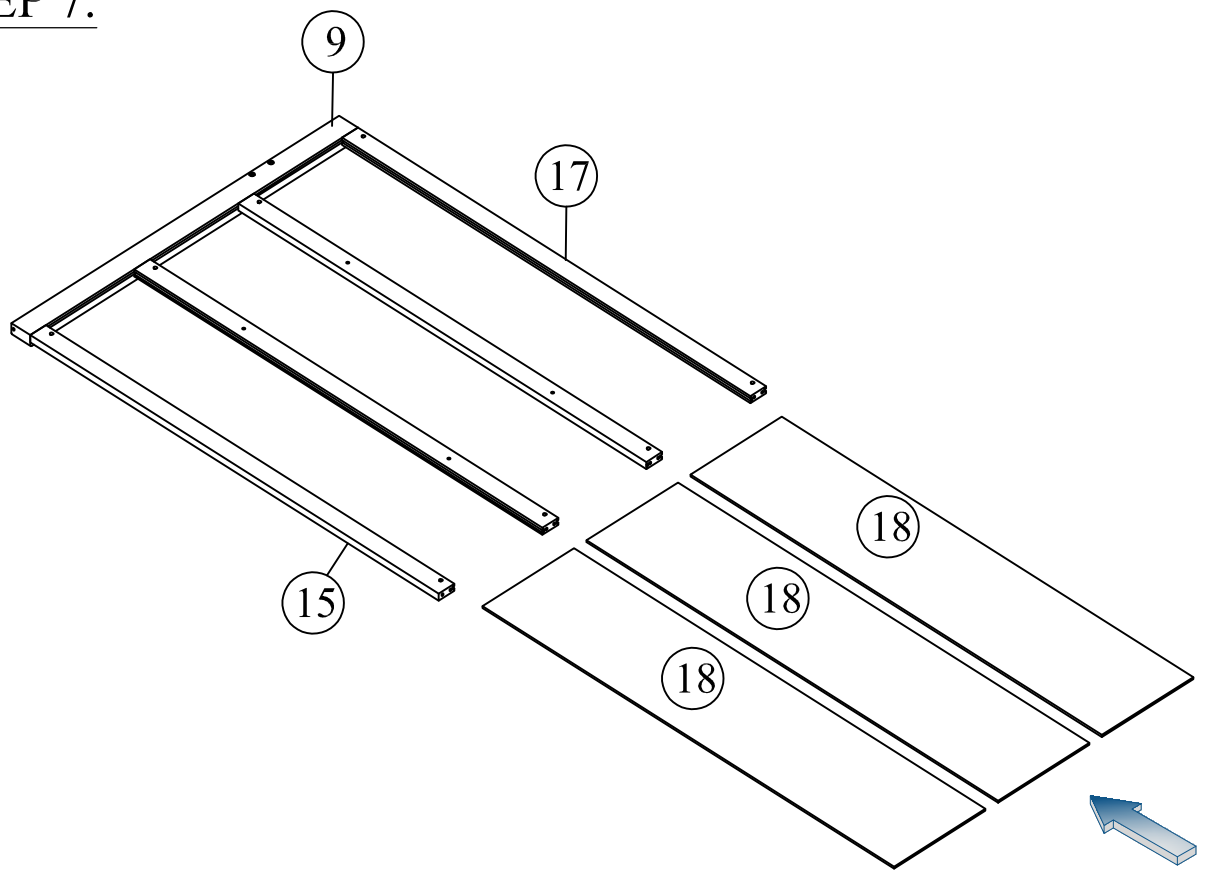
(L)		8pcs	(L)		8pcs
(Q)		1pc	(O)		1pc
(P)		1pc	(M)		2pcs

# STEP 7:

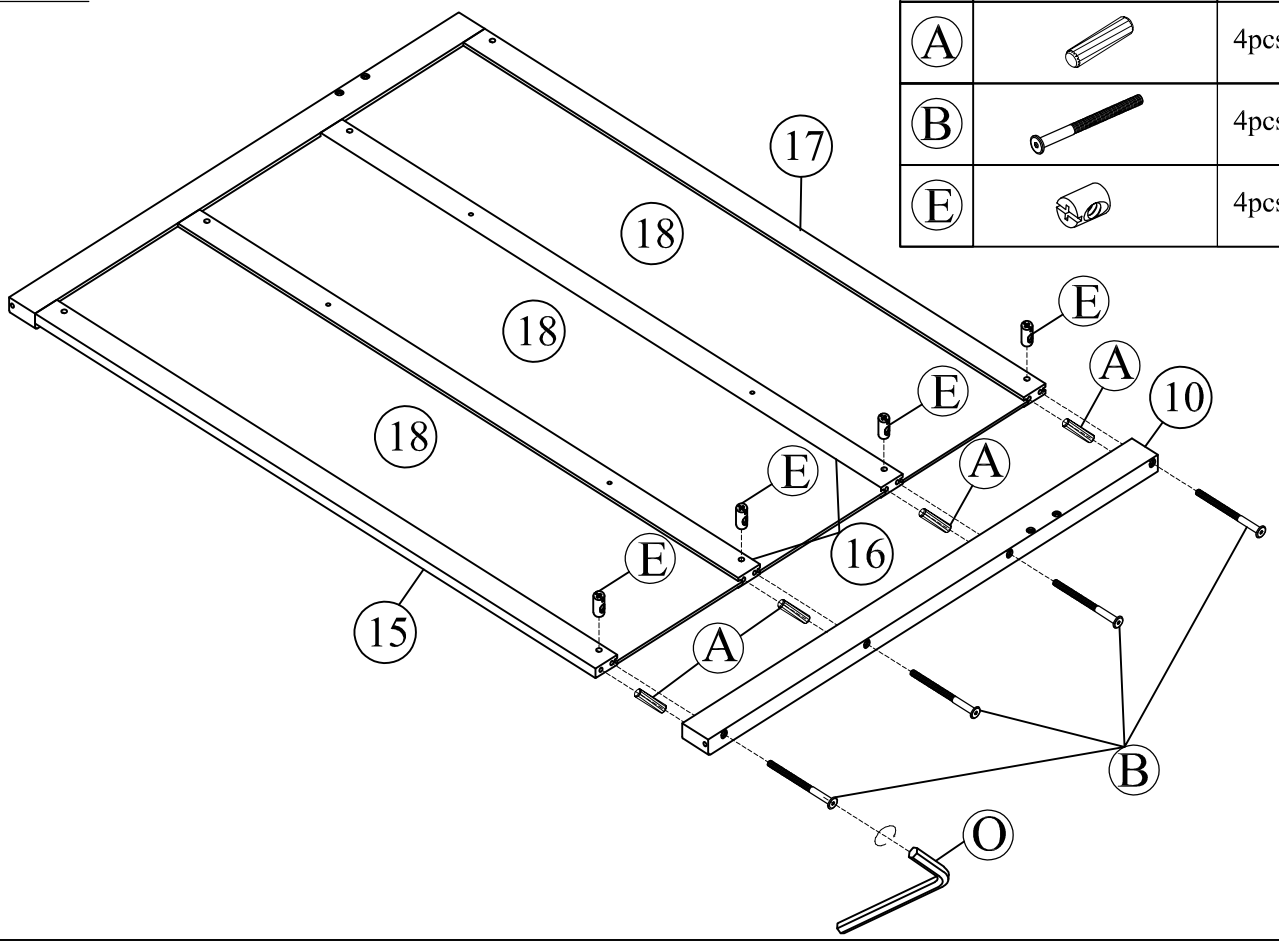
○		1pc
Ⓐ		4pcs
Ⓑ		4pcs
Ⓔ		4pcs


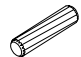




**STEP 7:**

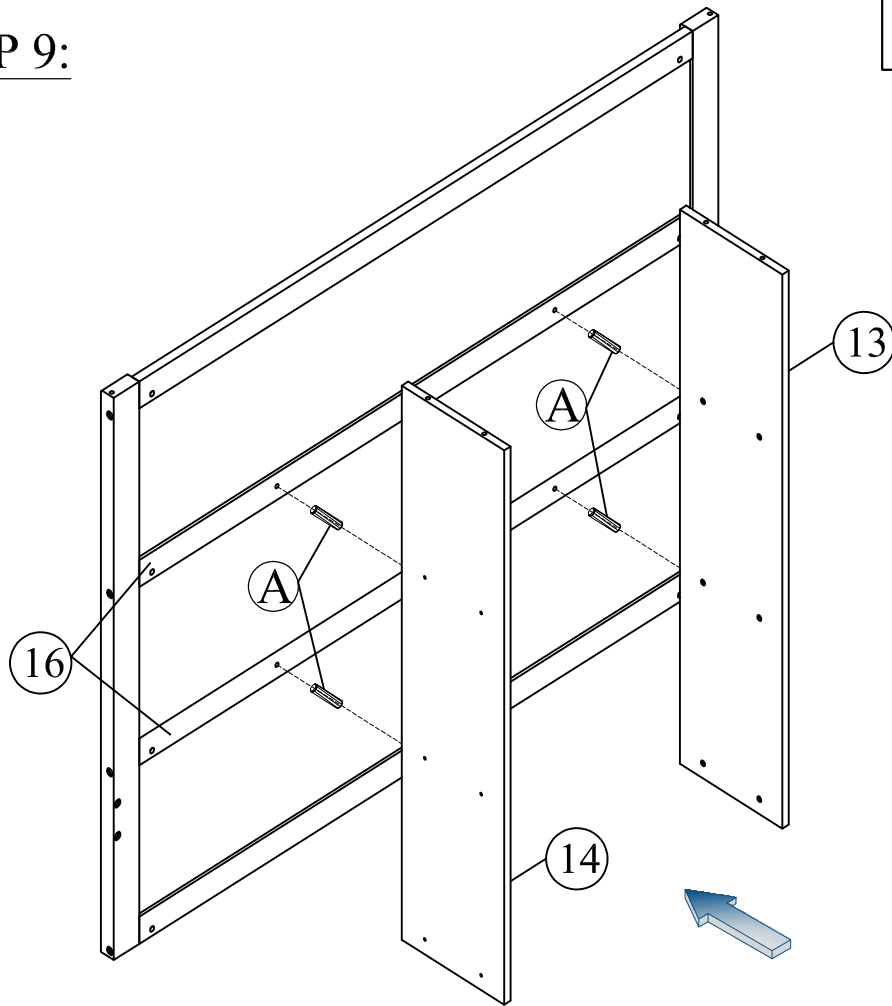


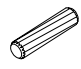
**STEP 8:**



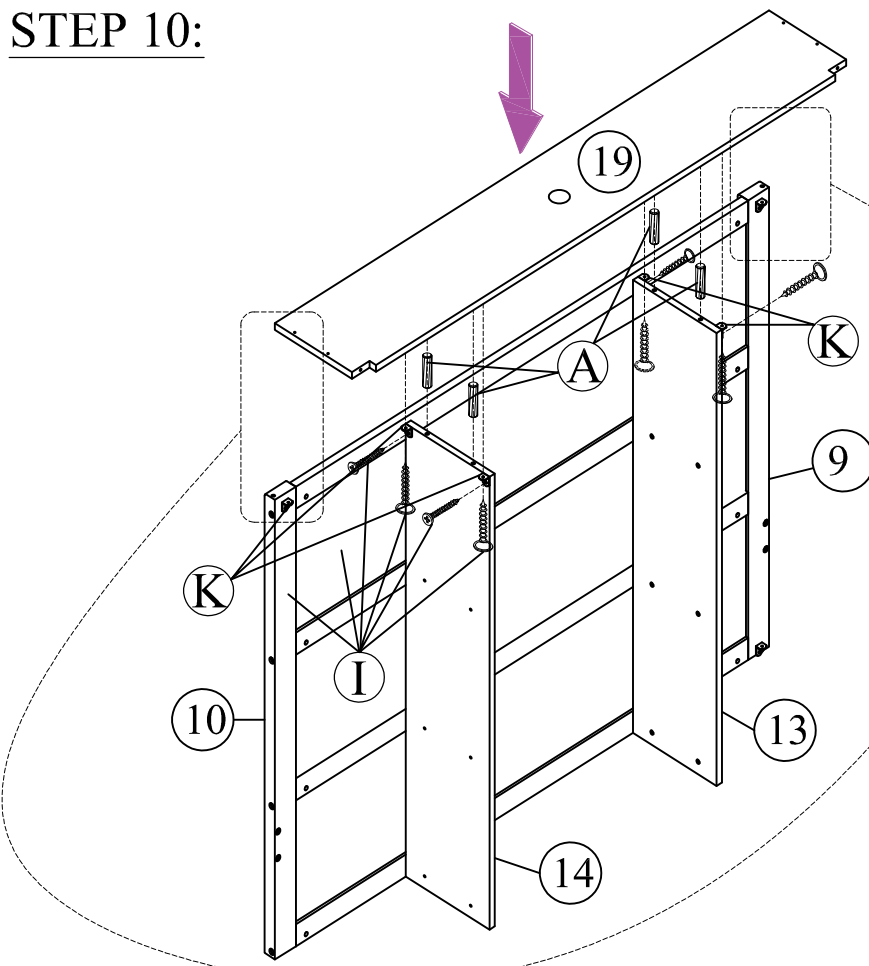
O		1pc
A		4pcs
B		4pcs
E		4pcs



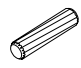
**STEP 9:**

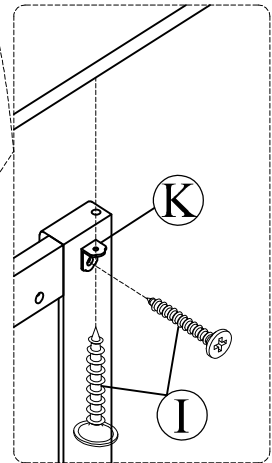


(A)		4pcs
-----	---	------

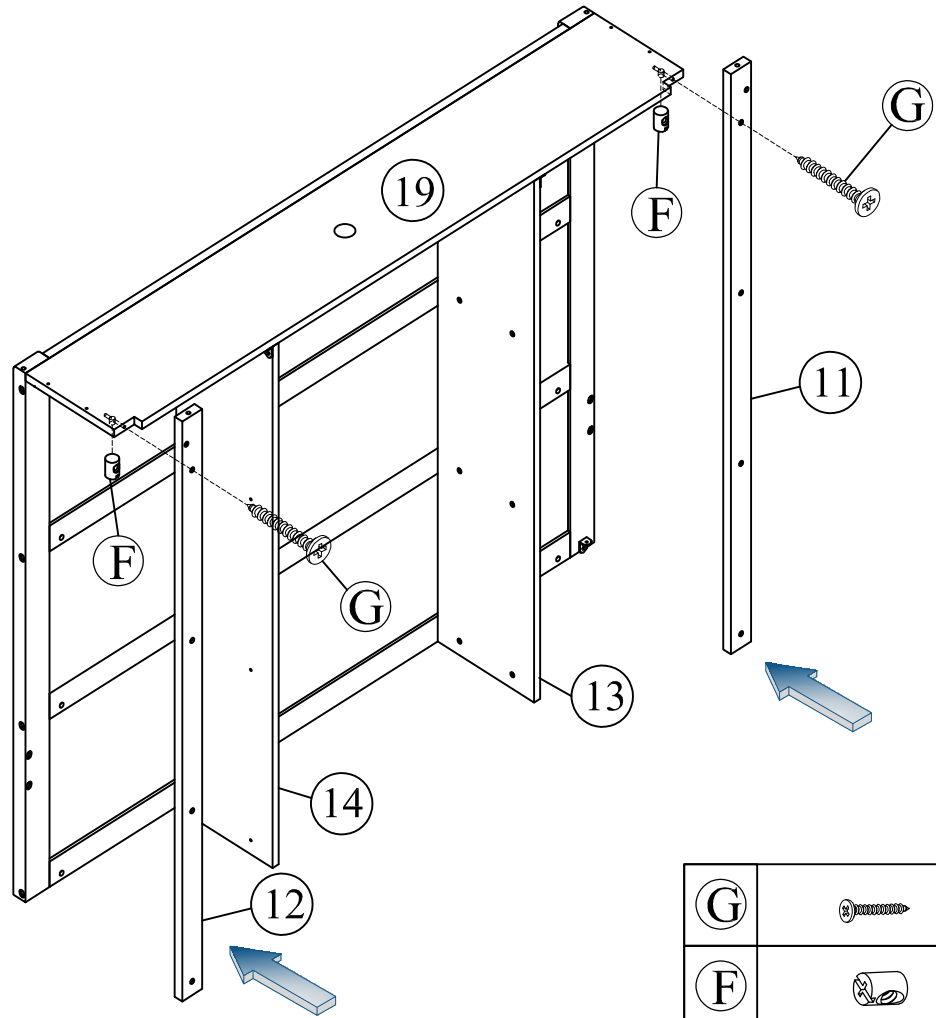
**STEP 10:**

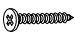



(K)		6pcs
(I)		12pcs
(A)		4pcs

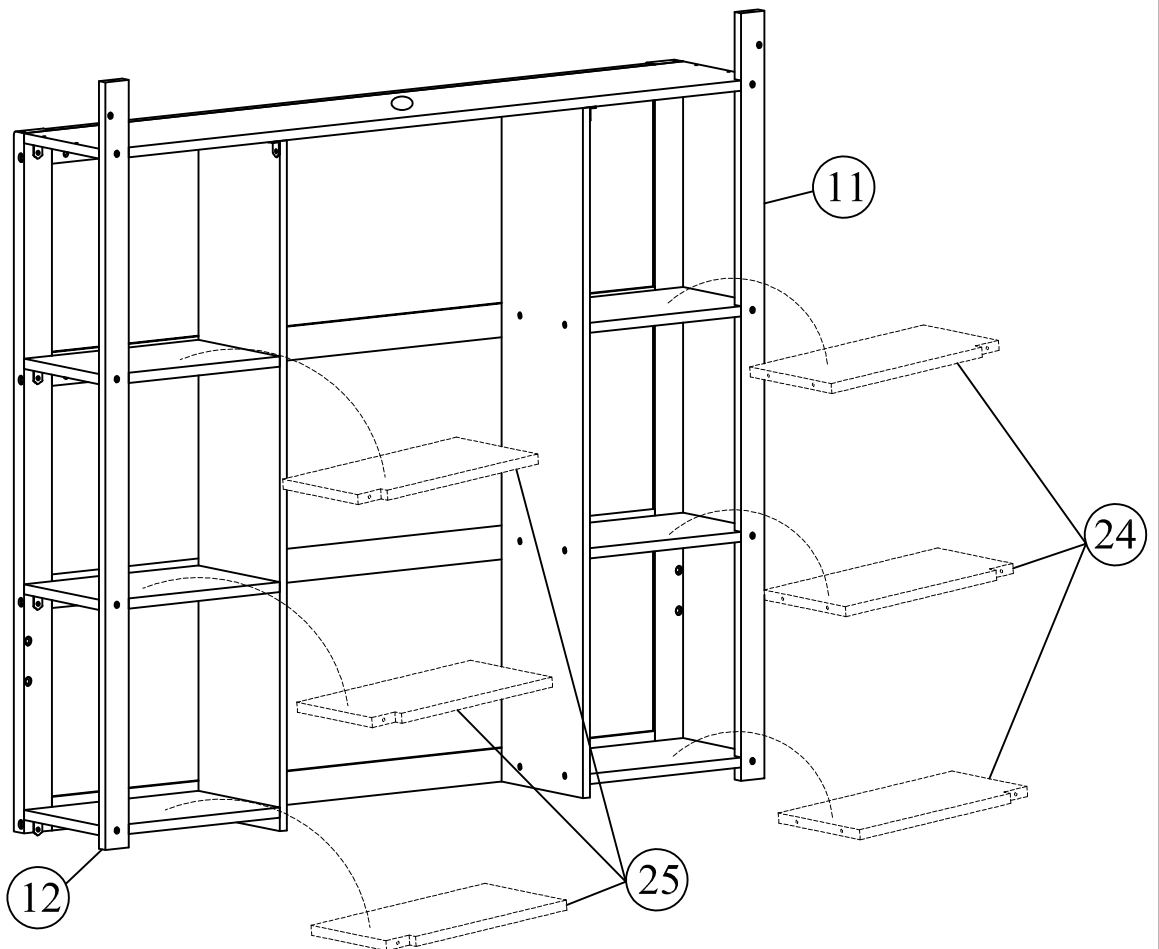


**STEP 11:**

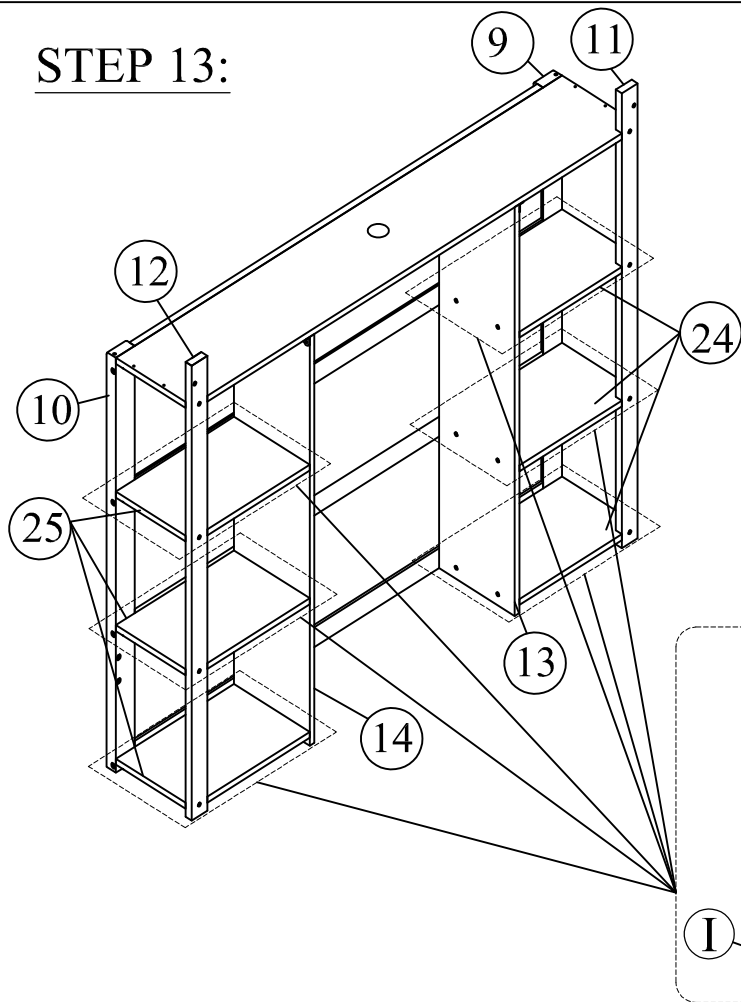


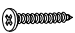



(G)		2pcs
(F)		2pcs

**STEP 12:**

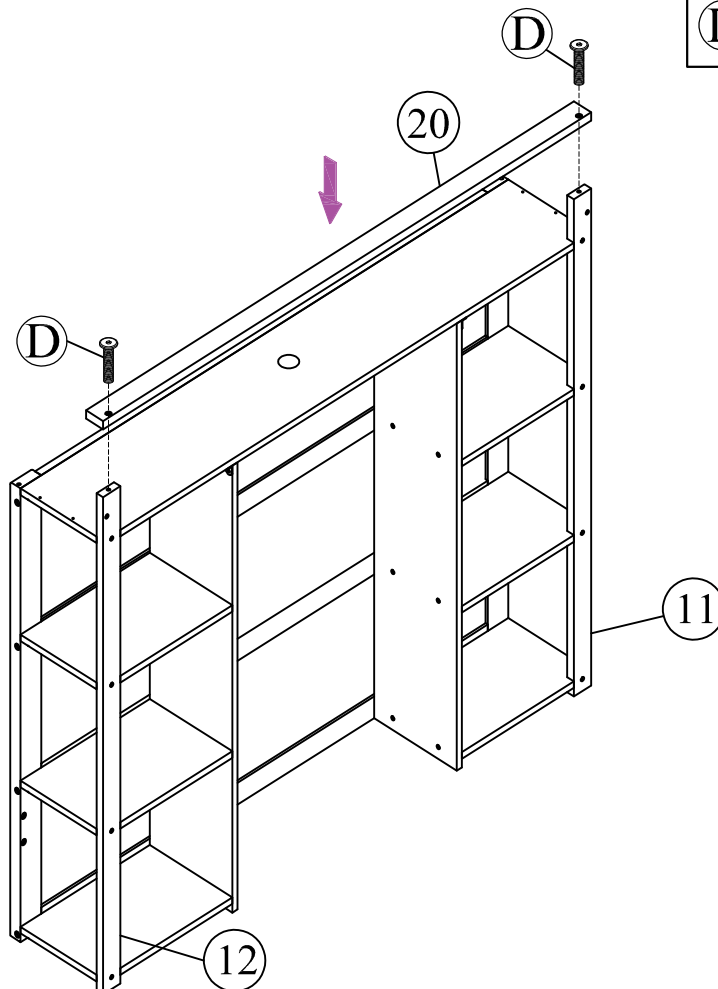



**STEP 13:**



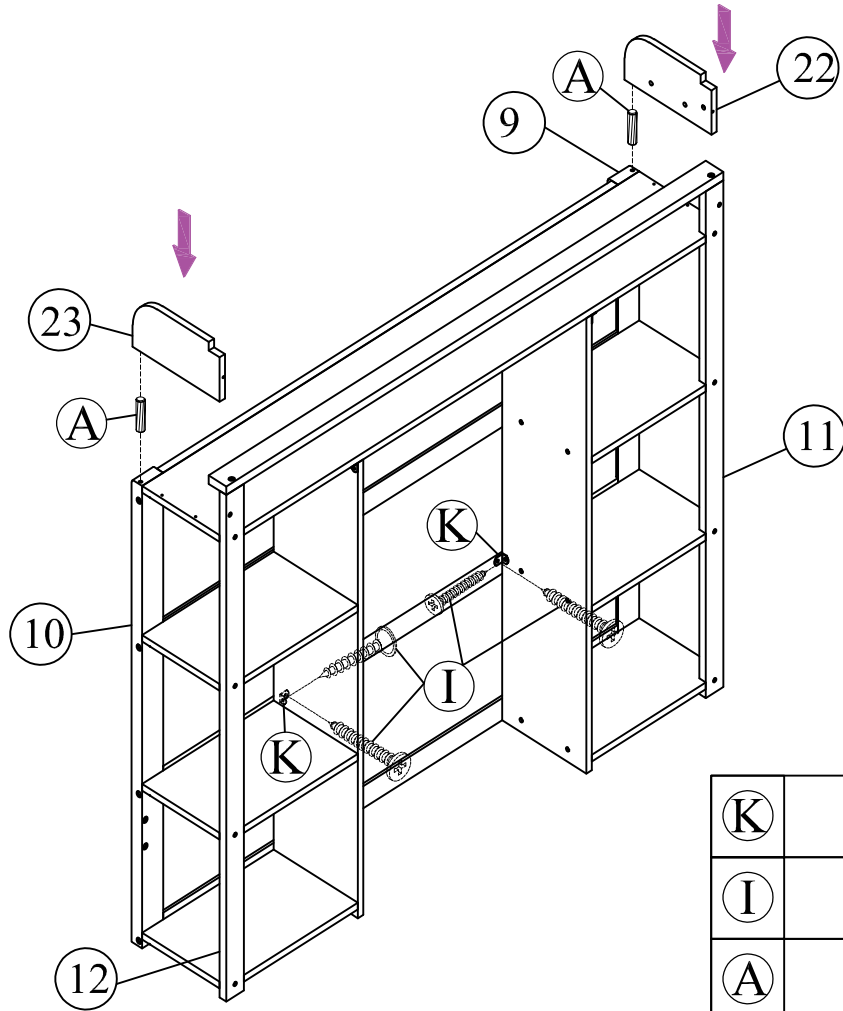
<b>G</b>		18pcs
<b>F</b>		18pcs
<b>K</b>		6pcs
<b>I</b>		12pcs

**STEP 14:**



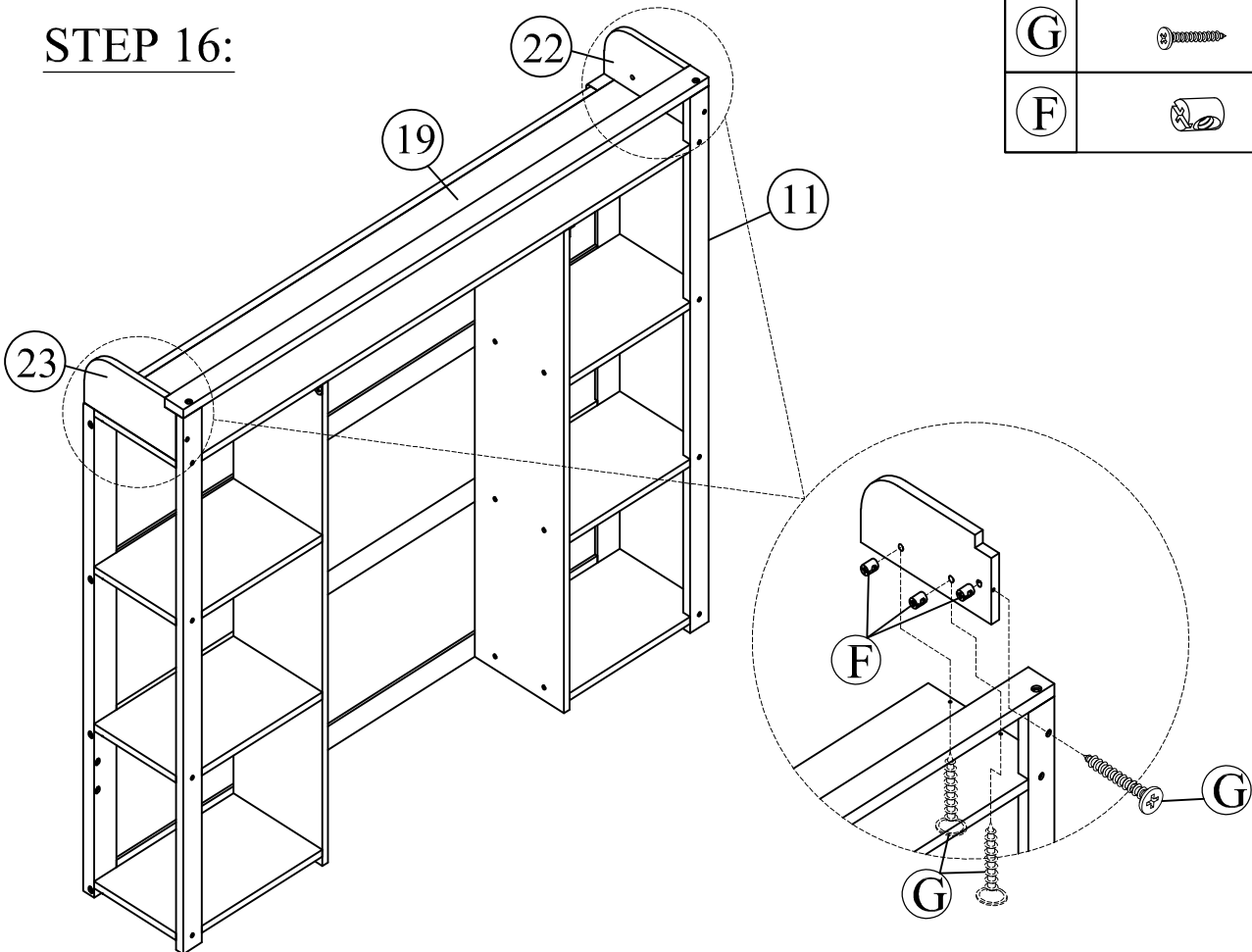
<b>D</b>		2pcs
----------	---	------

**STEP 15:**

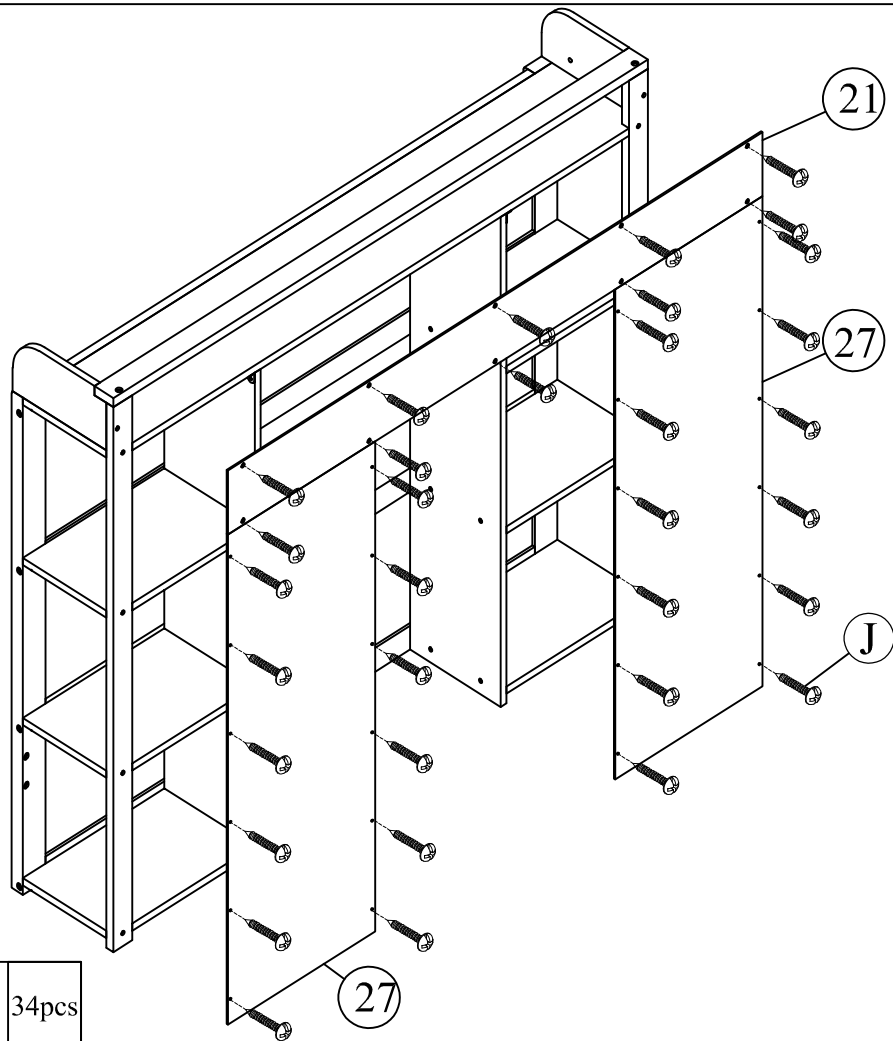



(K)		2pcs
(I)		4pcs
(A)		2pcs
(G)		6pcs
(F)		6pcs

**STEP 16:**

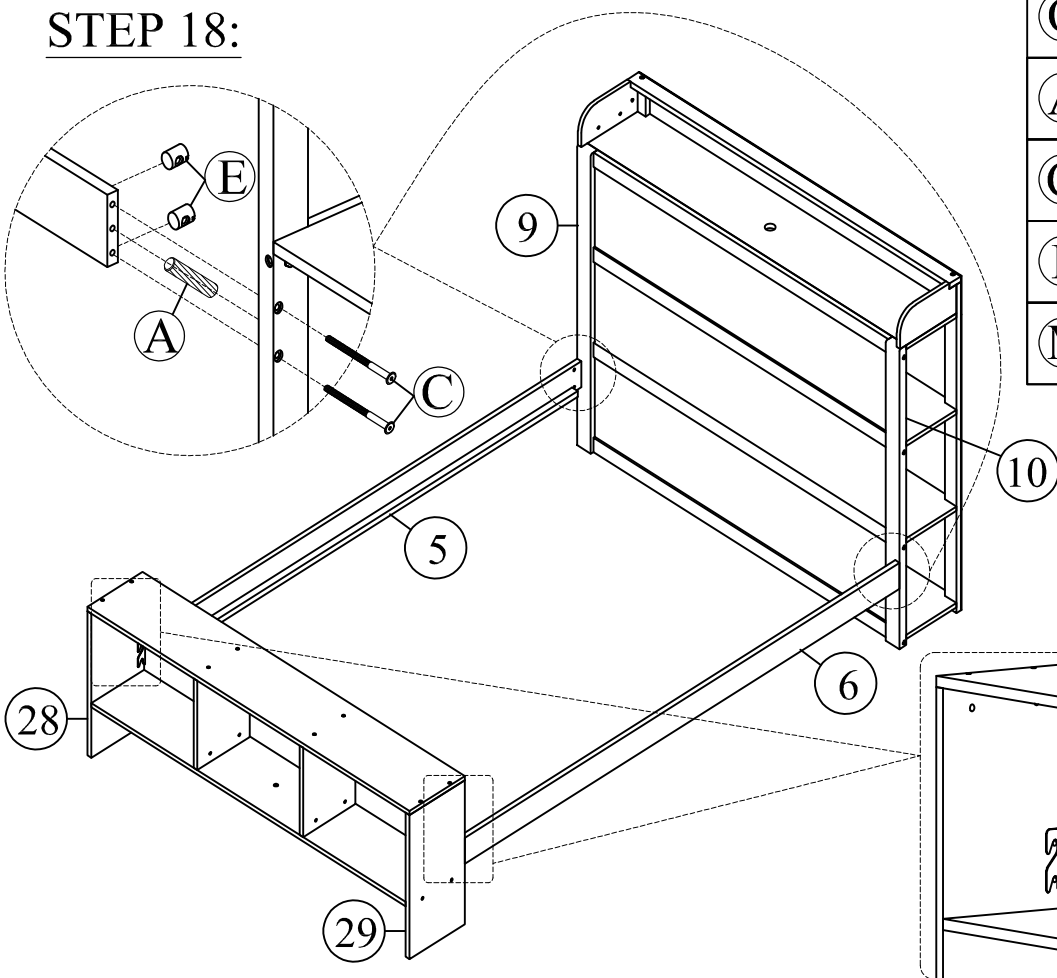



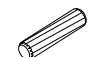



# STEP 17:



J		34pcs
---	---	-------

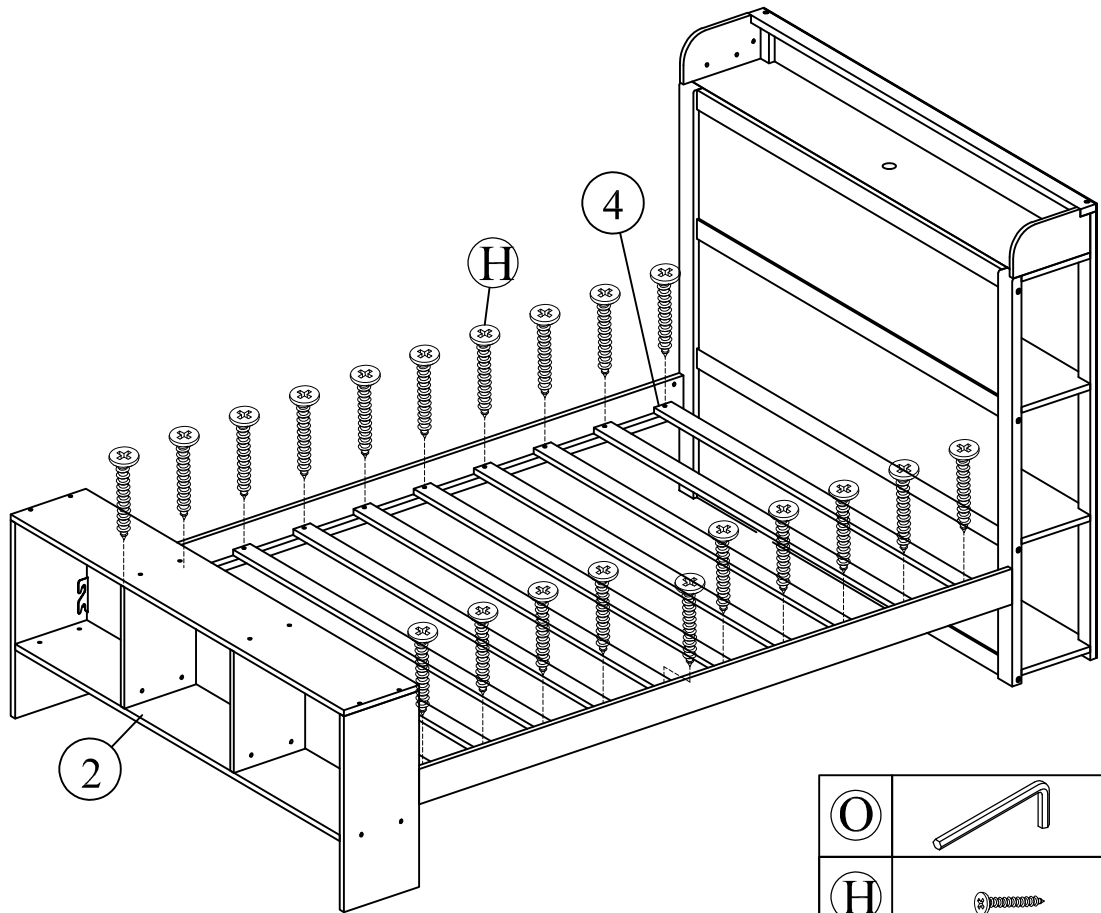
# STEP 18:



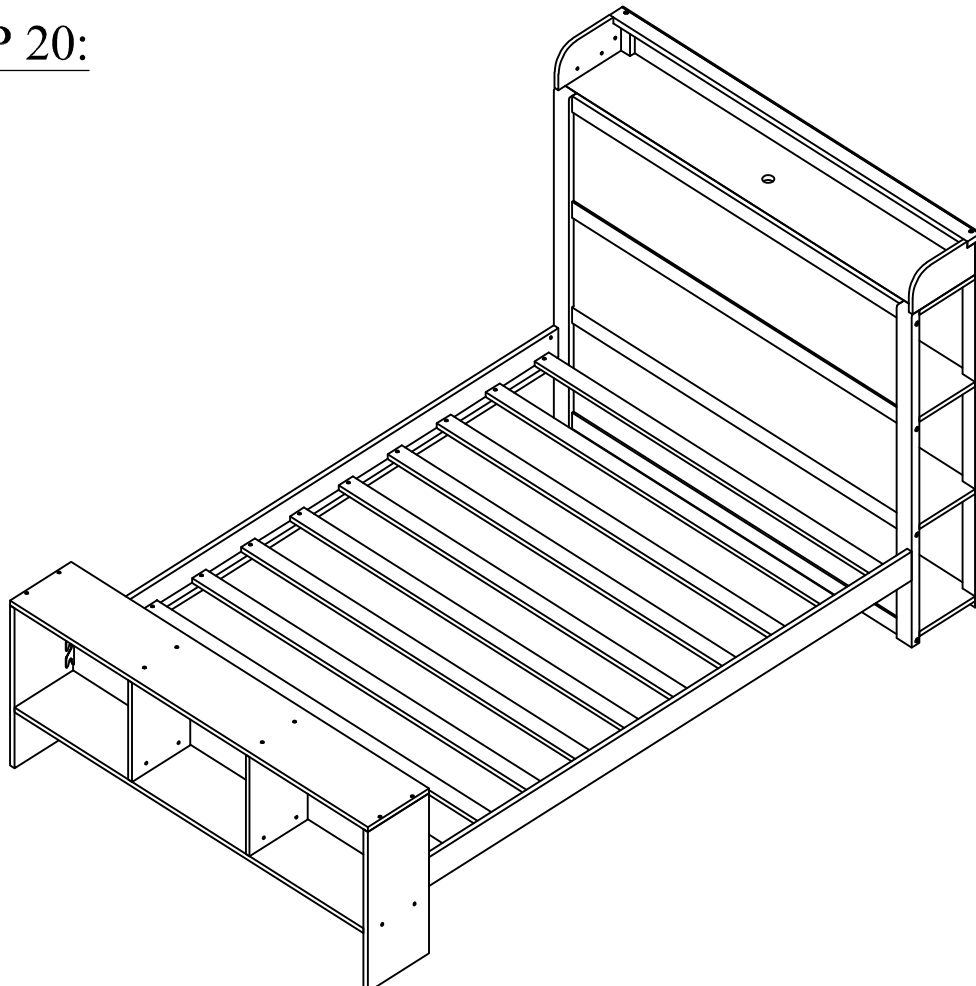
O		1pc
A		2pcs
C		4pcs
E		4pcs
M		4pcs



## STEP 19:

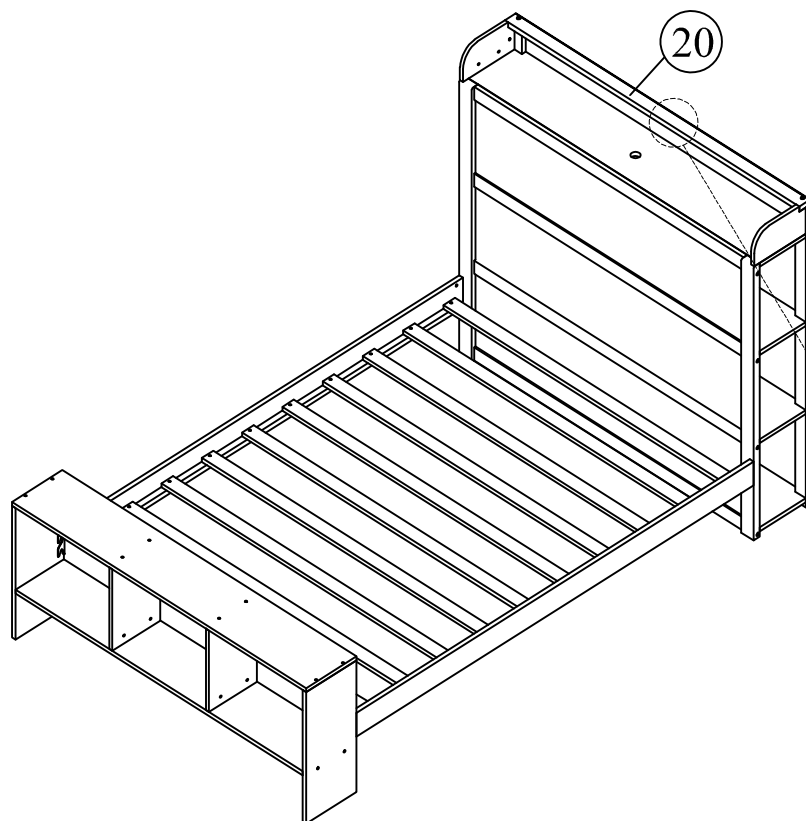
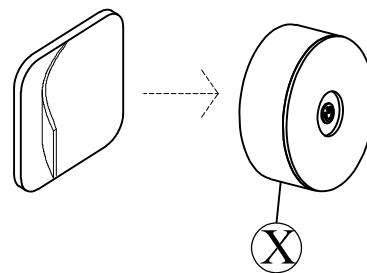


## STEP 20:

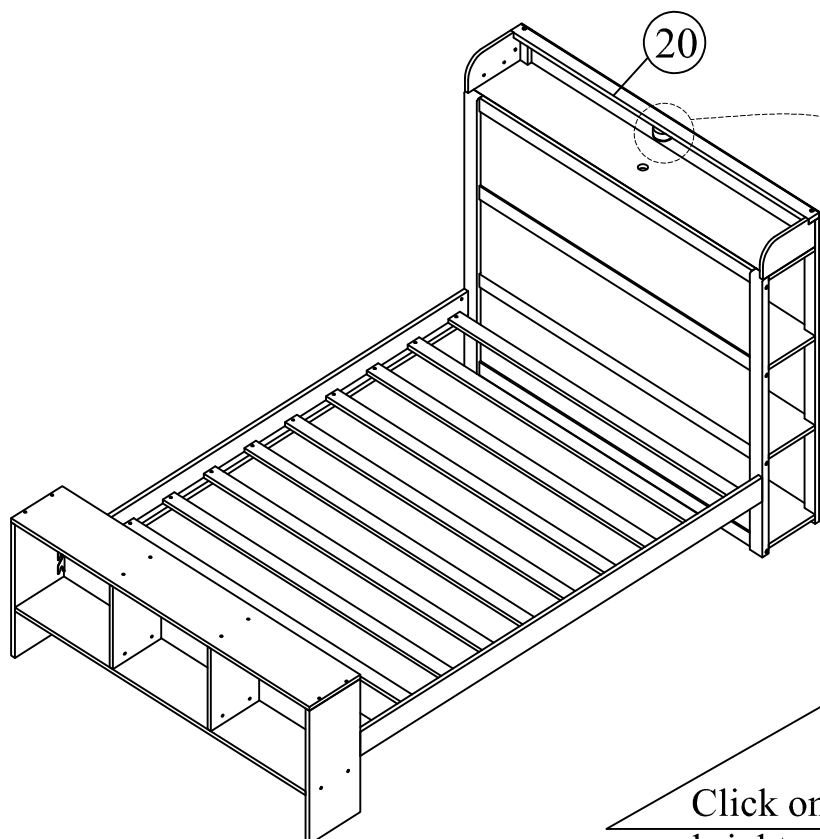
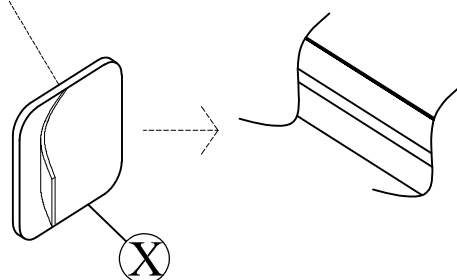


## STEP 21:

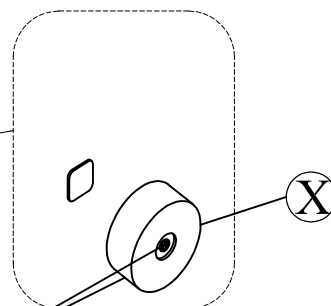
STEP 21 -1:  
Peel of the rubber,stick it on the underside of the lamp.



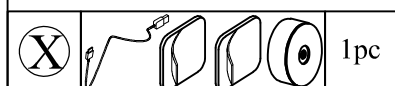
STEP 21 -2:  
Peel of the rubber,paste in position appropriate and according to the wishes of the user.



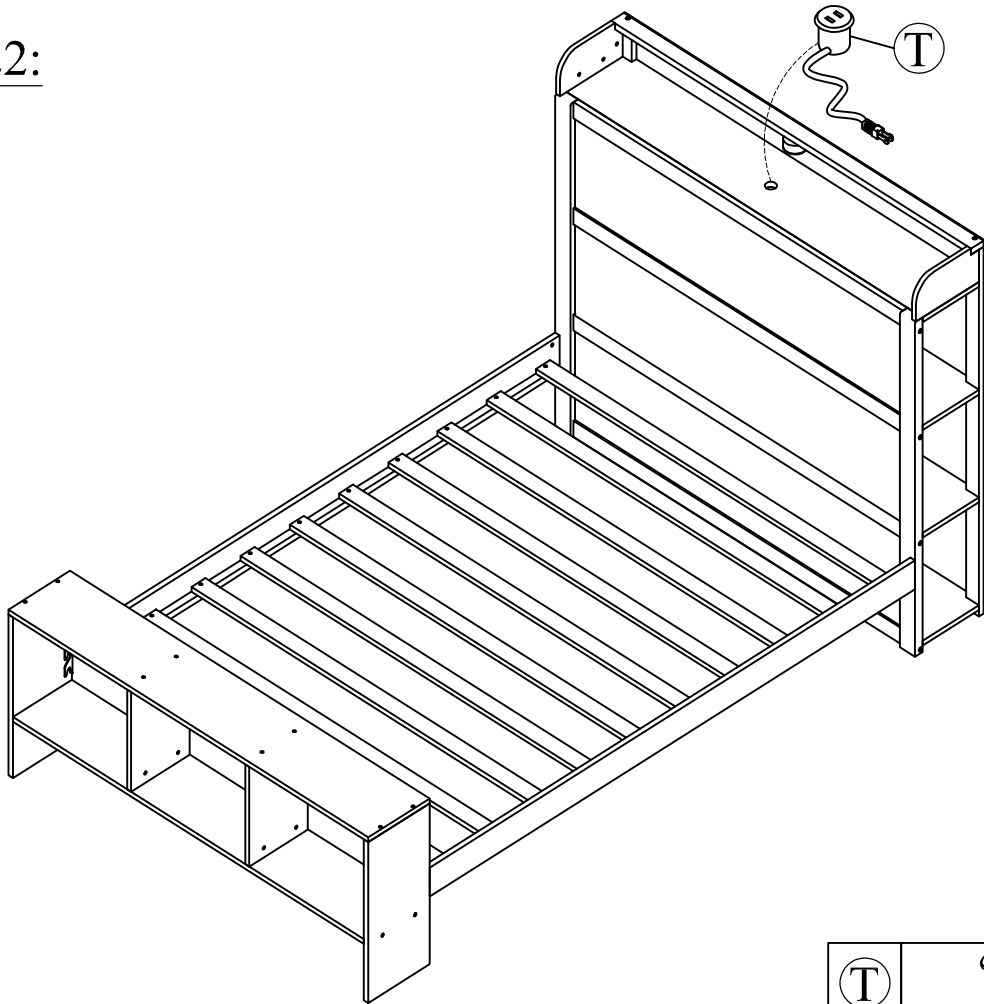
STEP 21 -3:  
Stick the light in the position (number 20 ) with a magnet.



Click on the guided position, adjust the brightness according to the user's discretion.



STEP 22:



T		1pc
---	---	-----

FINAL:

