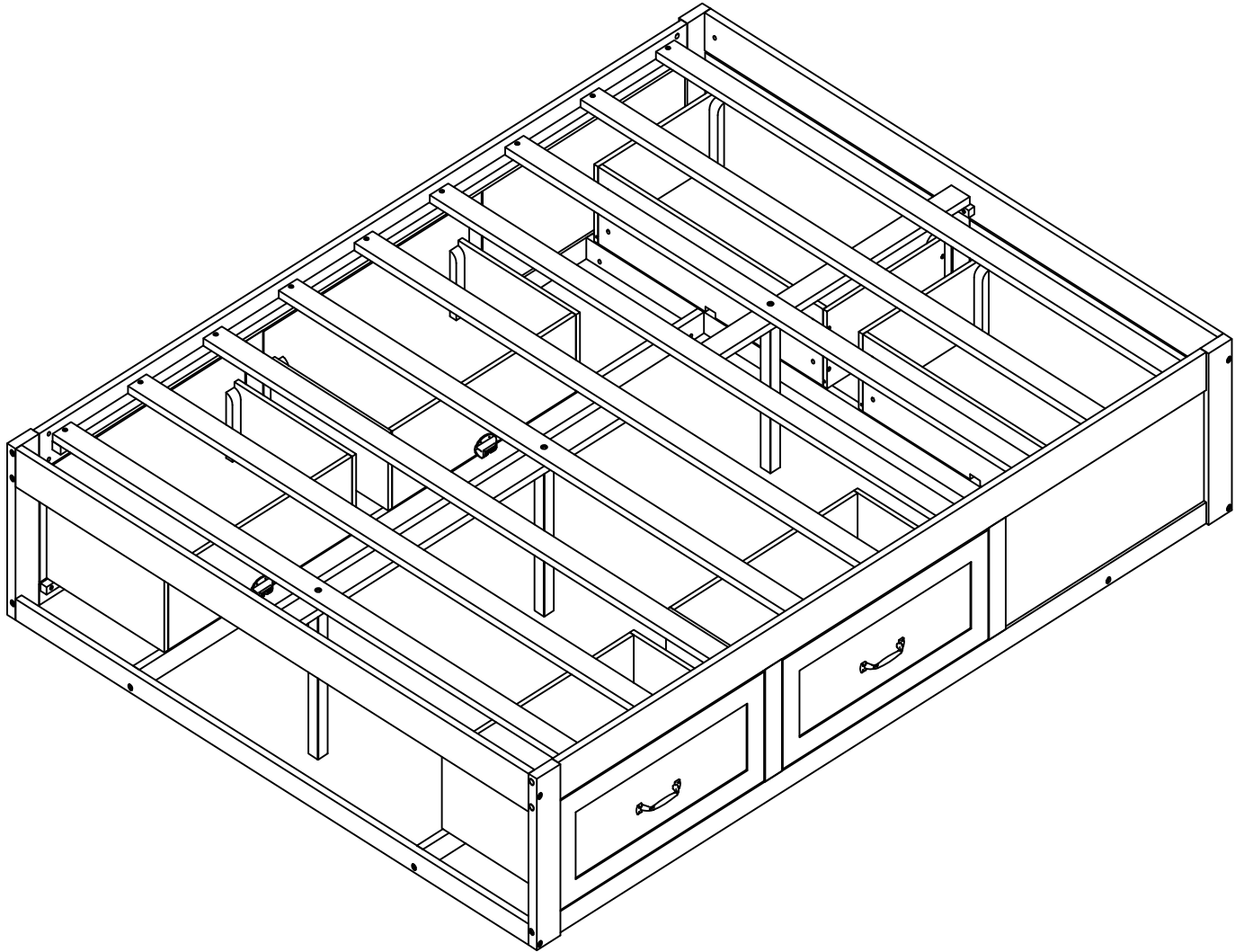
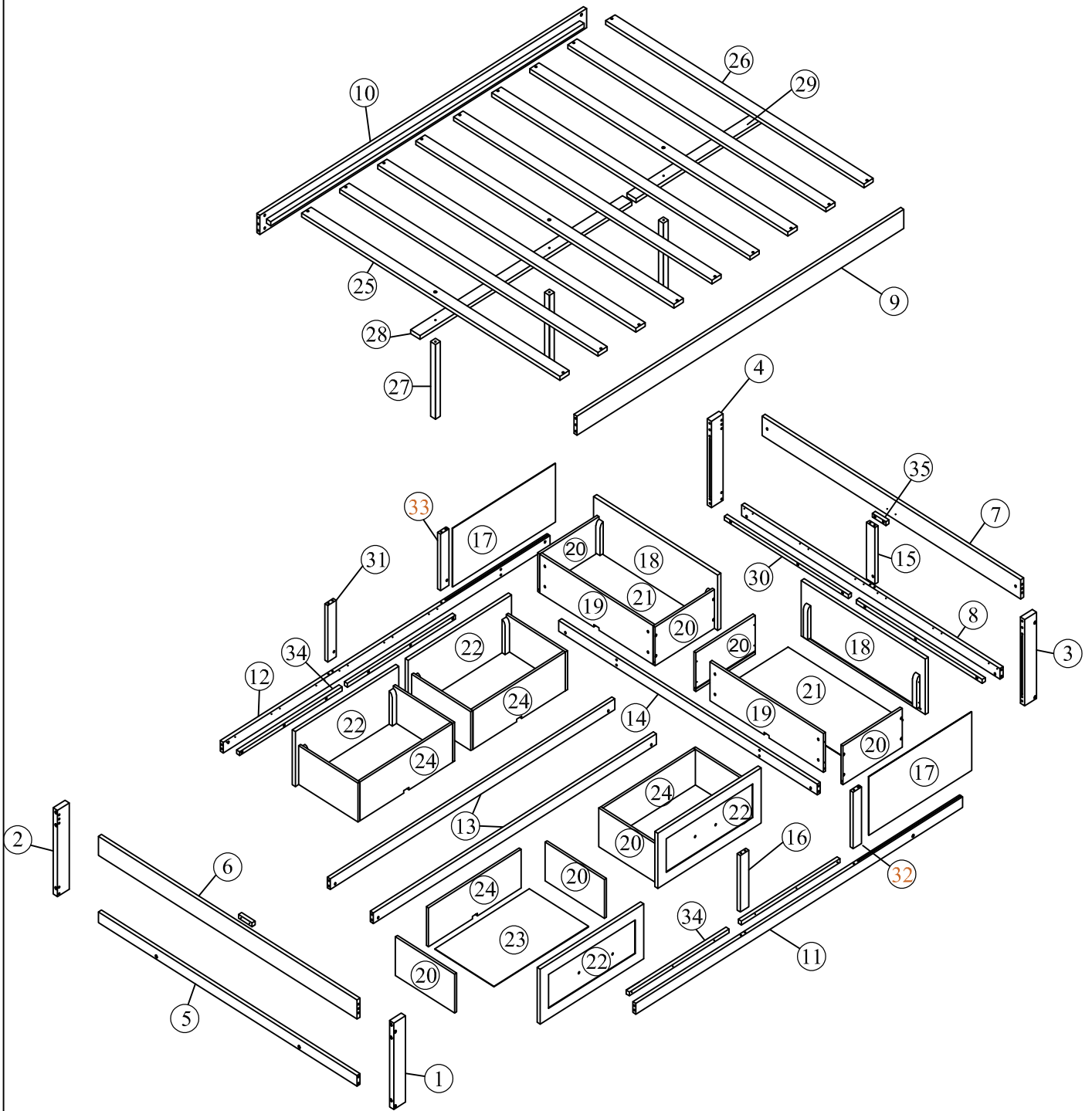


# ASSEMBLY INSTRUCTION

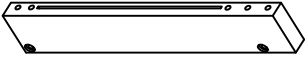
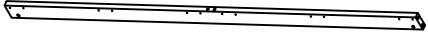
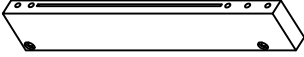

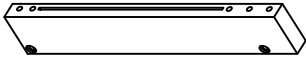
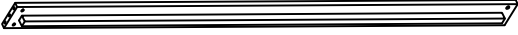
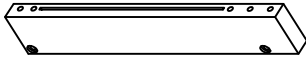


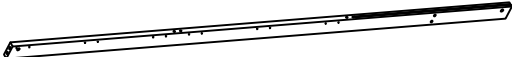


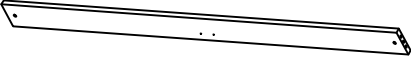
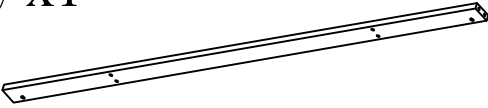
**SKU CODE: WF315335**



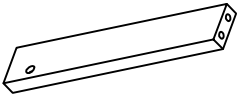
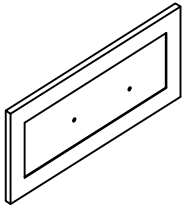
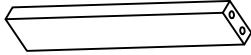
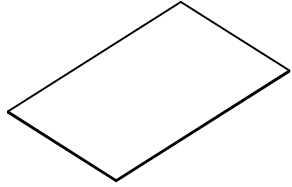
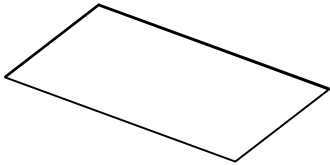
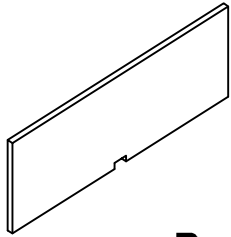
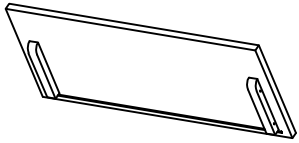

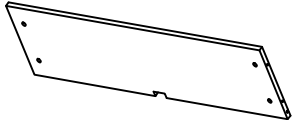
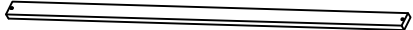
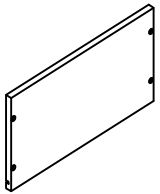
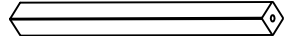
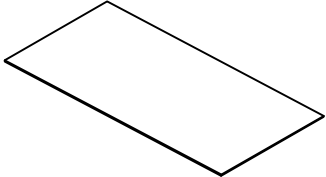
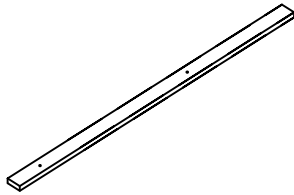
Detail:



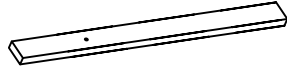


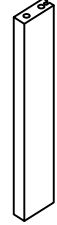
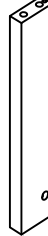
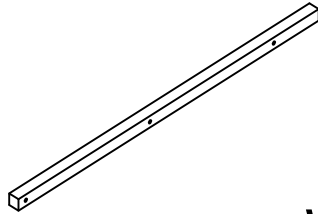
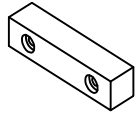
# Part List (WF315335)

<p>① x1</p>  <p>Front (left) Leg</p>	<p>⑧ x1</p>  <p>Bottom Guard</p>
<p>② x1</p>  <p>Back (left) Leg</p>	<p>⑨ x1</p>  <p>Side Rail</p>
<p>③ x1</p>  <p>Front (right) Leg</p>	<p>⑩ x1</p>  <p>Side Rail</p>
<p>④ x1</p>  <p>Back (right) Leg</p>	<p>⑪ x1</p>  <p>Support sliding rails</p>
<p>⑤ x1</p>  <p>Bottom Guard</p>	<p>⑫ x1</p>  <p>Support sliding rails</p>
<p>⑥ x1</p>  <p>Top Guard</p>	<p>⑬ x2</p>  <p>Bottom Guard</p>
<p>⑦ x1</p>  <p>Top Guard</p>	<p>⑭ x1</p>  <p>Support sliding rails</p>

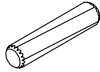
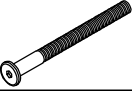

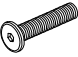


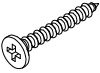
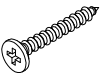
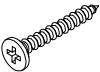
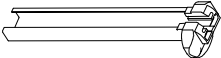
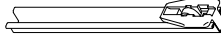




## Part List ( WF315335 )

<p>①⑤ x1</p>  <p style="text-align: center;"><b>Connect wooden stick</b></p>	<p>②② x4</p>  <p style="text-align: center;"><b>Front Drawers</b></p>
<p>①⑥ x1</p>  <p style="text-align: center;"><b>Connect wooden stick</b></p>	<p>②③ x4</p>  <p style="text-align: center;"><b>Bottom Drawers</b></p>
<p>①⑦ x2</p>  <p style="text-align: center;"><b>Panel</b></p>	<p>②④ x4</p>  <p style="text-align: center;"><b>Back Drawers</b></p>
<p>①⑧ x2</p>  <p style="text-align: center;"><b>Front Drawers</b></p>	<p>②⑤ x3</p>  <p style="text-align: center;"><b>Slats</b></p>
<p>①⑨ x2</p>  <p style="text-align: center;"><b>Back Drawers</b></p>	<p>②⑥ x6</p>  <p style="text-align: center;"><b>Slats</b></p>
<p>②⑩ x12</p>  <p style="text-align: center;"><b>Side Drawers</b></p>	<p>②⑦ x3</p>  <p style="text-align: center;"><b>Support Leg</b></p>
<p>②① x2</p>  <p style="text-align: center;"><b>Bottom Drawers</b></p>	<p>②⑧ x1</p>  <p style="text-align: center;"><b>Mid support slat</b></p>

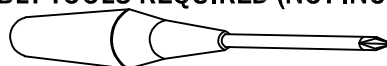
# Part List (WF315335)

<p>②9 x1</p>  <p>Mid support slat</p>	<p>③0 x2</p>  <p>Wood bar</p>
<p>③1 x1</p>  <p>Connect wooden stick</p>	<p>③2 x1</p>  <p>Connect wooden stick</p>
<p>③3 x1</p>  <p>Connect wooden stick</p>	<p>③4 x4</p>  <p>Wood bar</p>
<p>③5 x2</p>  <p>Wood bar</p>	





## Hardware List (WF315335)

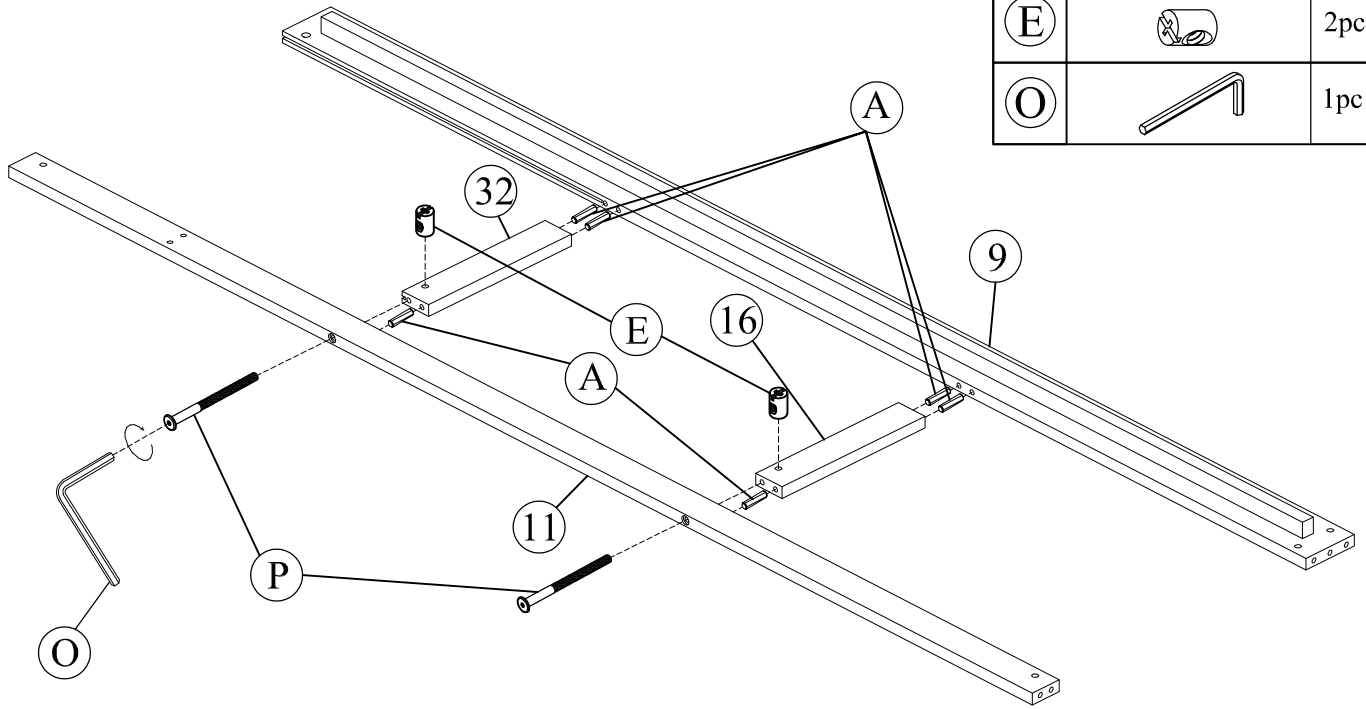
No.	OUTLOOK	DESC	QTY
(A)		Dowel Ø8*30mm	41pcs
(B)		Bolts M6*110mm	12pcs
(C)		Bolts M6*60mm	14pcs
(D)		Bolts M6*40mm	3pcs
(E)		Cross dowel M6*13mm	31pcs
(G)		Cross dowel M6*10mm	24pcs
(H)		Flat head screw #8*60mm	24pcs
(I)		Flat head screw #8*25mm	72pcs
(K)		Flat head screw #7*12mm	28pcs
(L)		Sliding rails	6pcs
(M)		Sliding rails	6pcs
(N)		Handle	6pcs
(O)		Allen key 60*22*4mm	1pc
(P)		Bolts M6*90mm	5pcs
(Q)		Metal	5pcs

**ASSEMBLY TOOLS REQUIRED (NOT INCLUDED)**

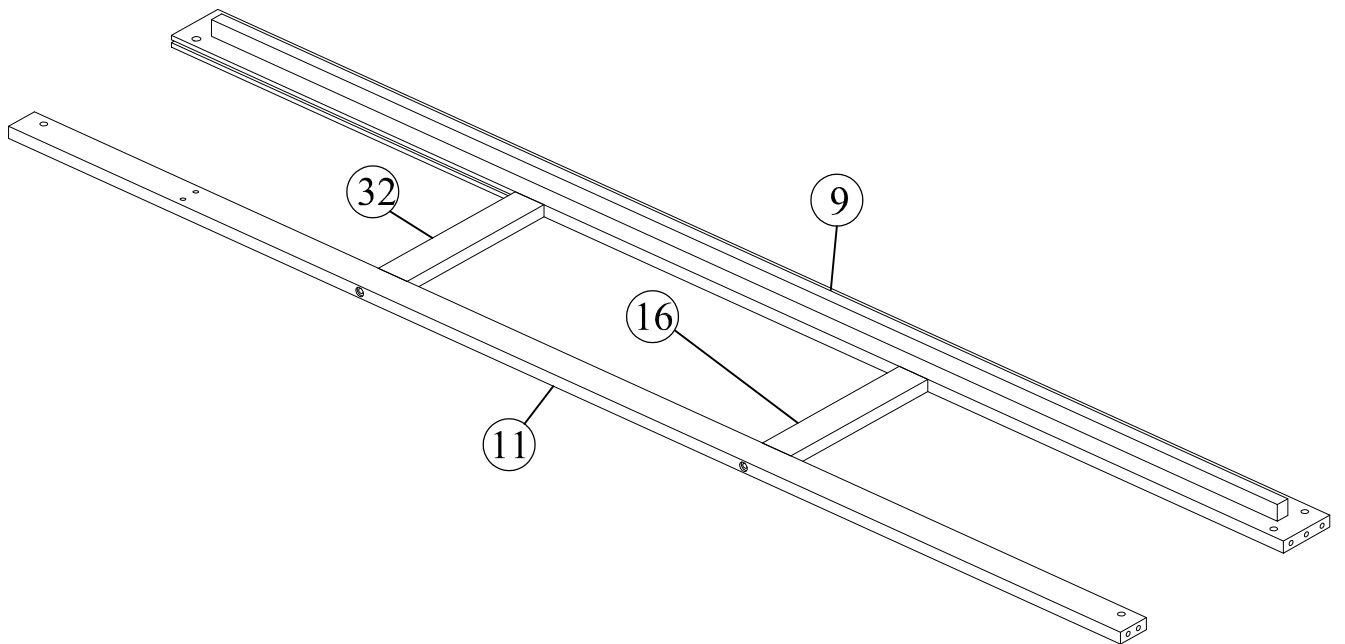


# STEP 1

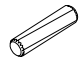



A		6pcs
P		2pcs
E		2pcs
O		1pc

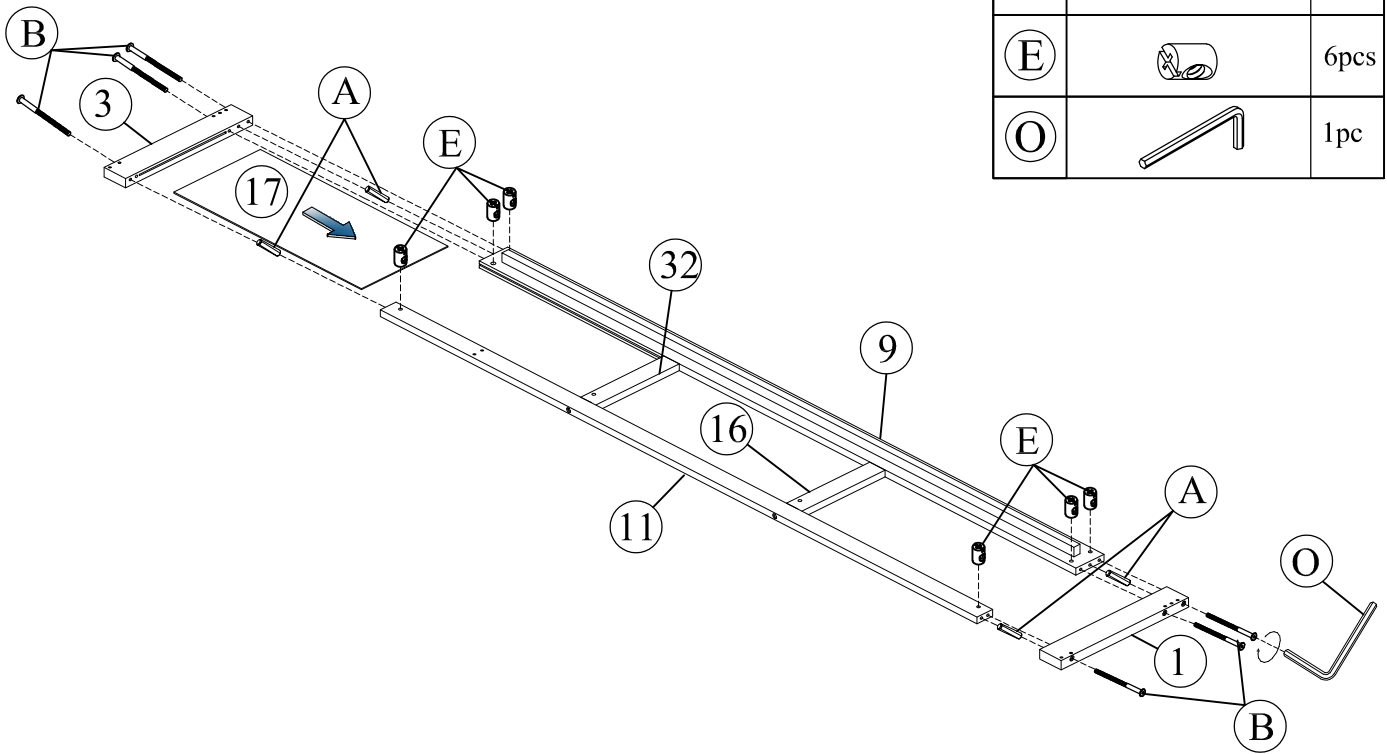


# STEP 2

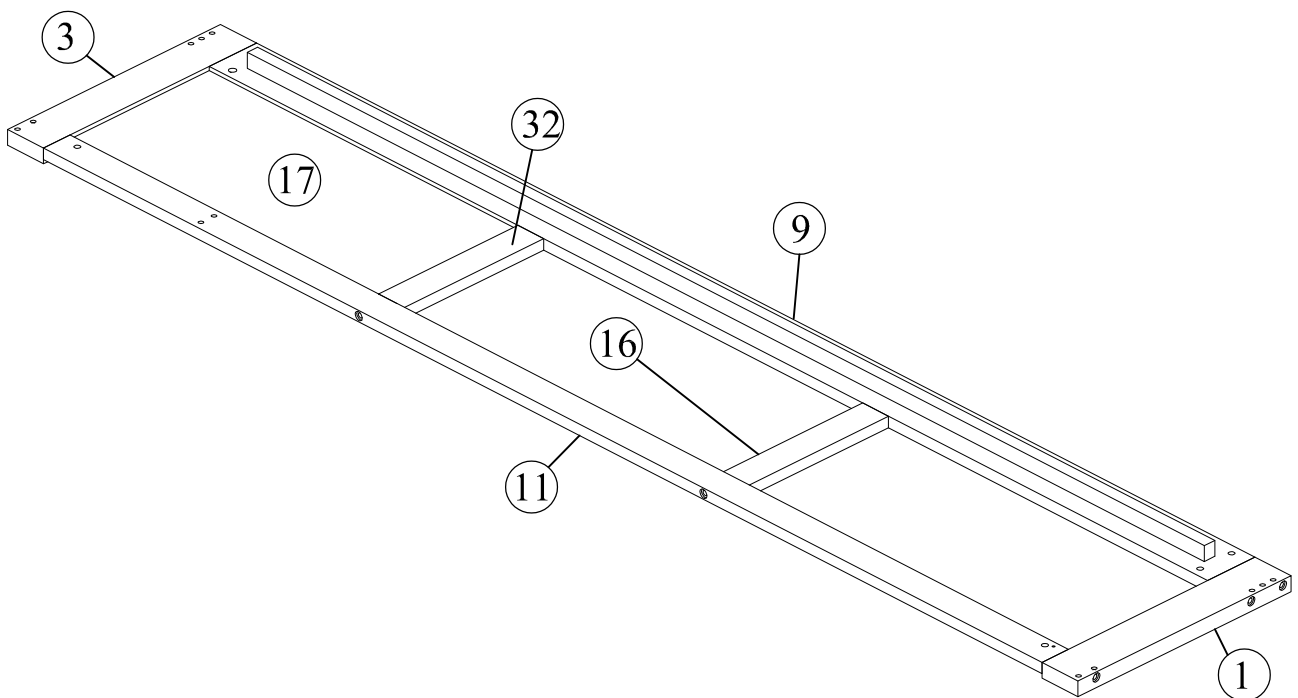


### STEP 3

(A)		4pcs
(B)		6pcs
(E)		6pcs
(O)		1pc

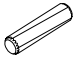





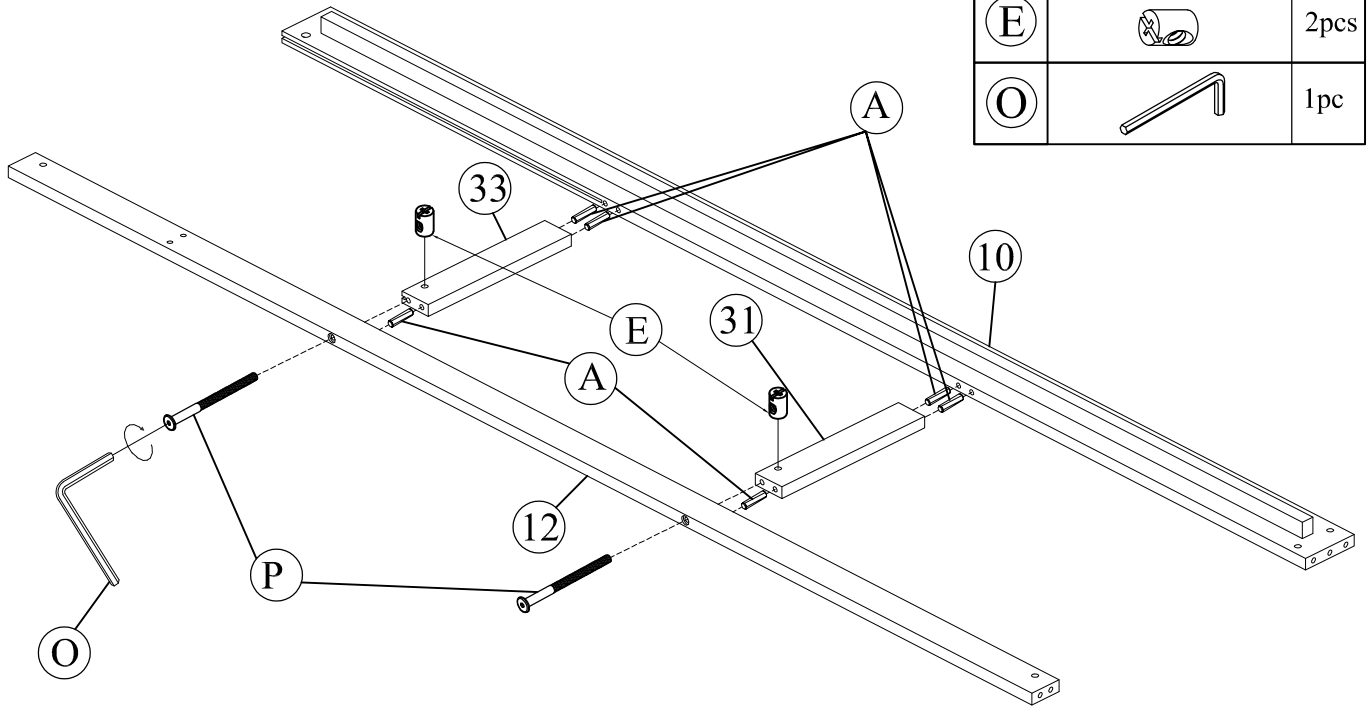
### STEP 4



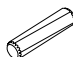


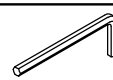


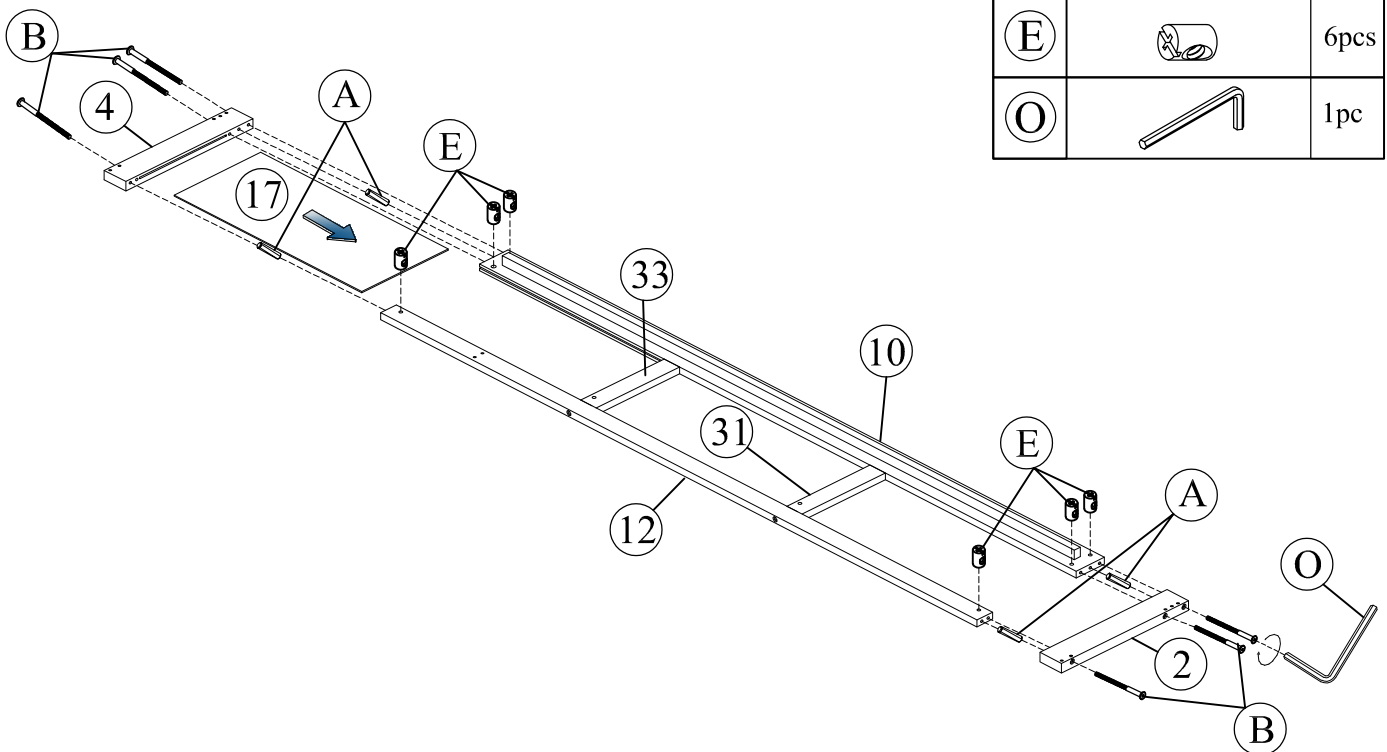
# STEP 5

(A)		6pcs
(P)		2pcs
(E)		2pcs
(O)		1pc

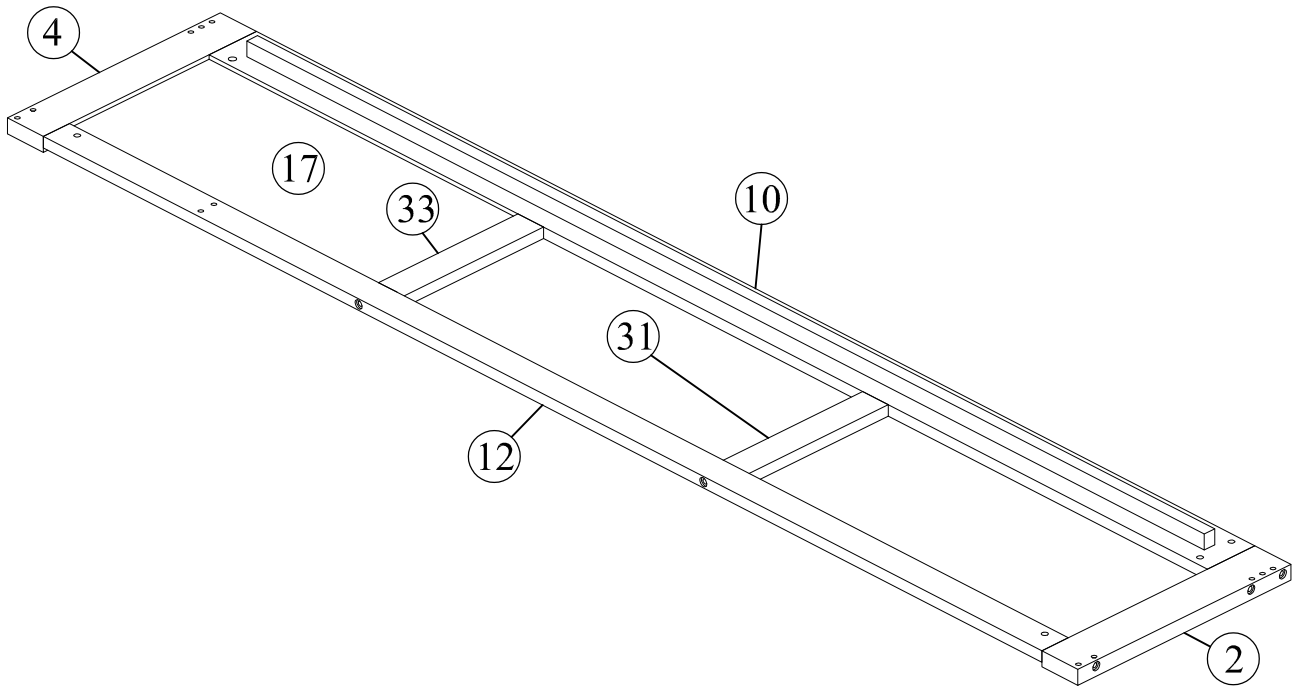


# STEP 6

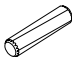



(A)		4pcs
(B)		6pcs
(E)		6pcs
(O)		1pc

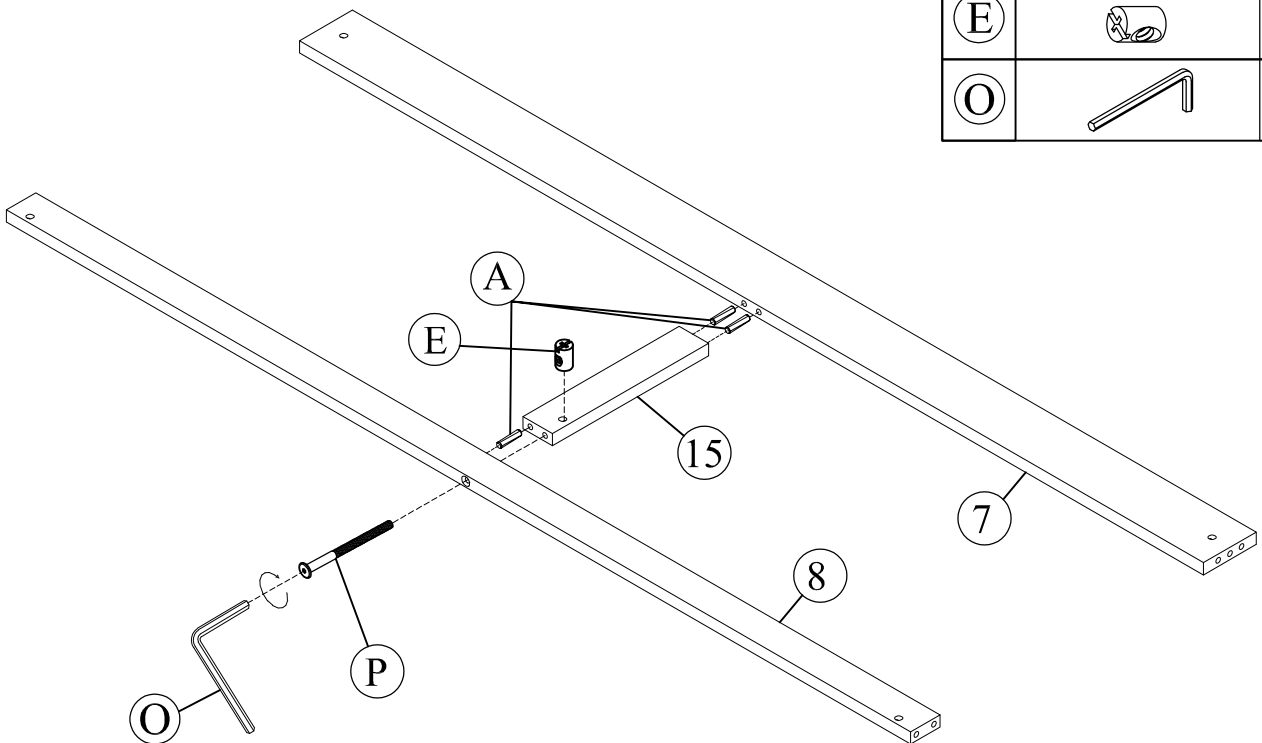


# STEP 7

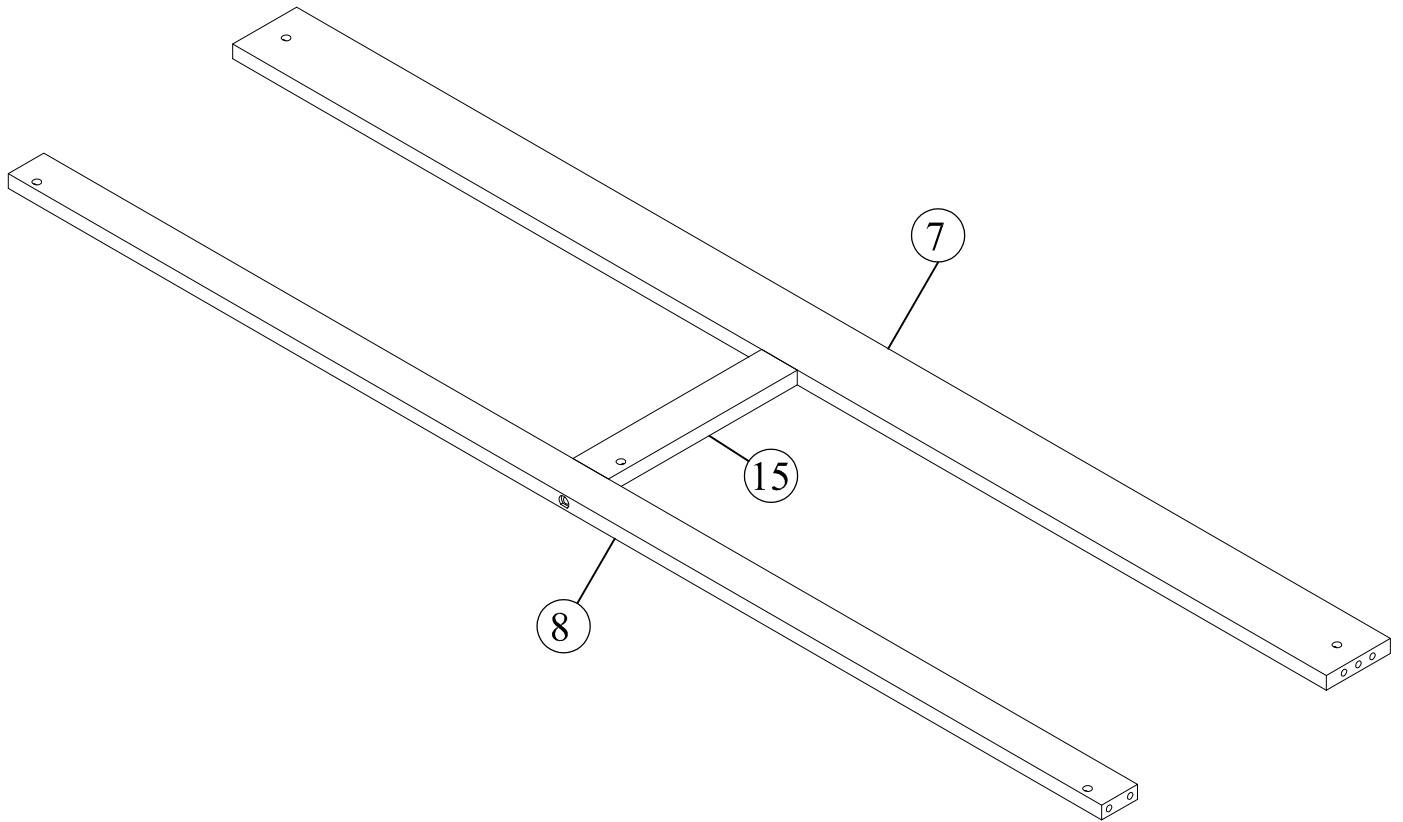


# STEP 8

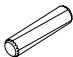



A		3pcs
P		1pc
E		1pc
O		1pc

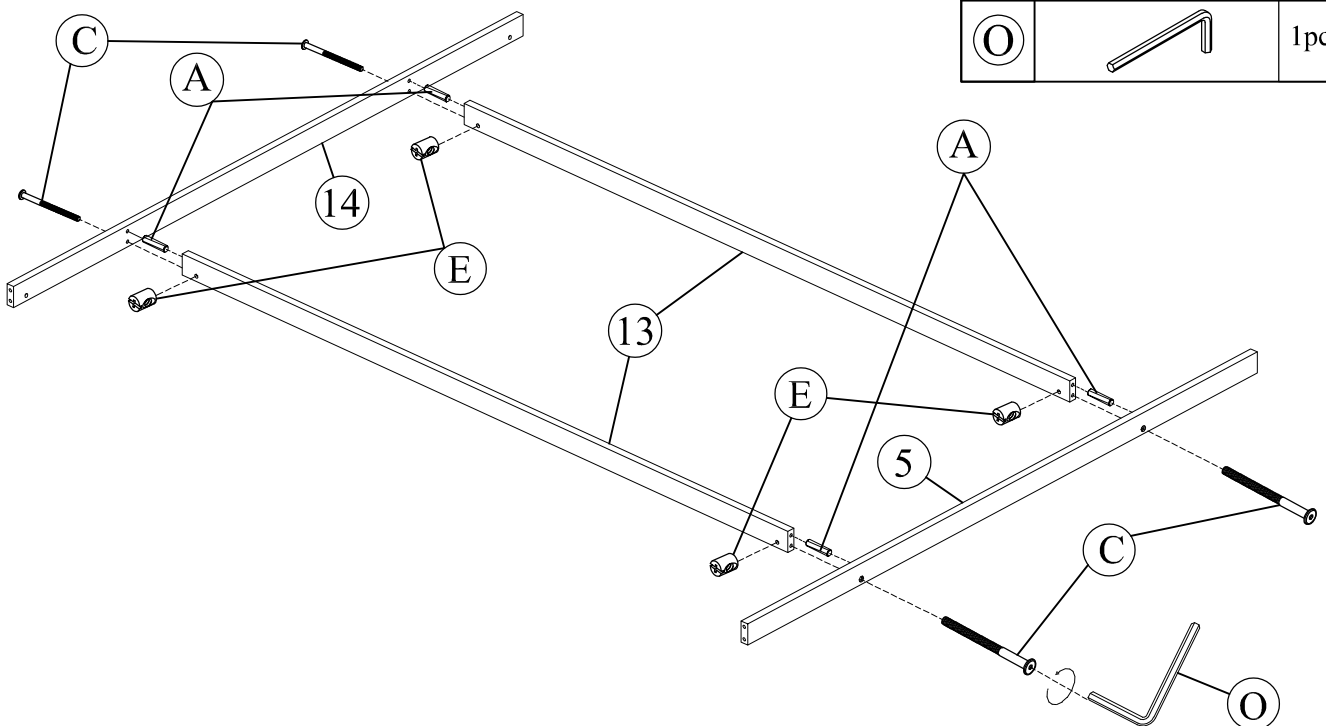


# STEP 9

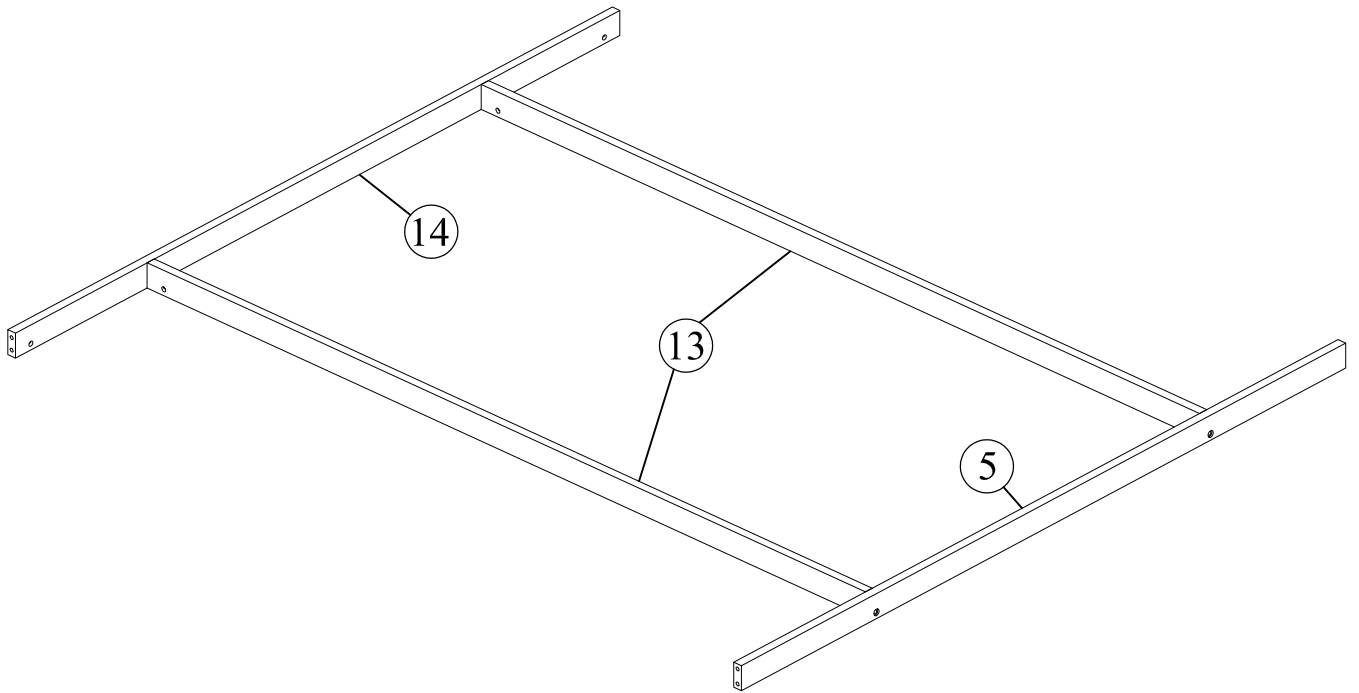


# STEP 10

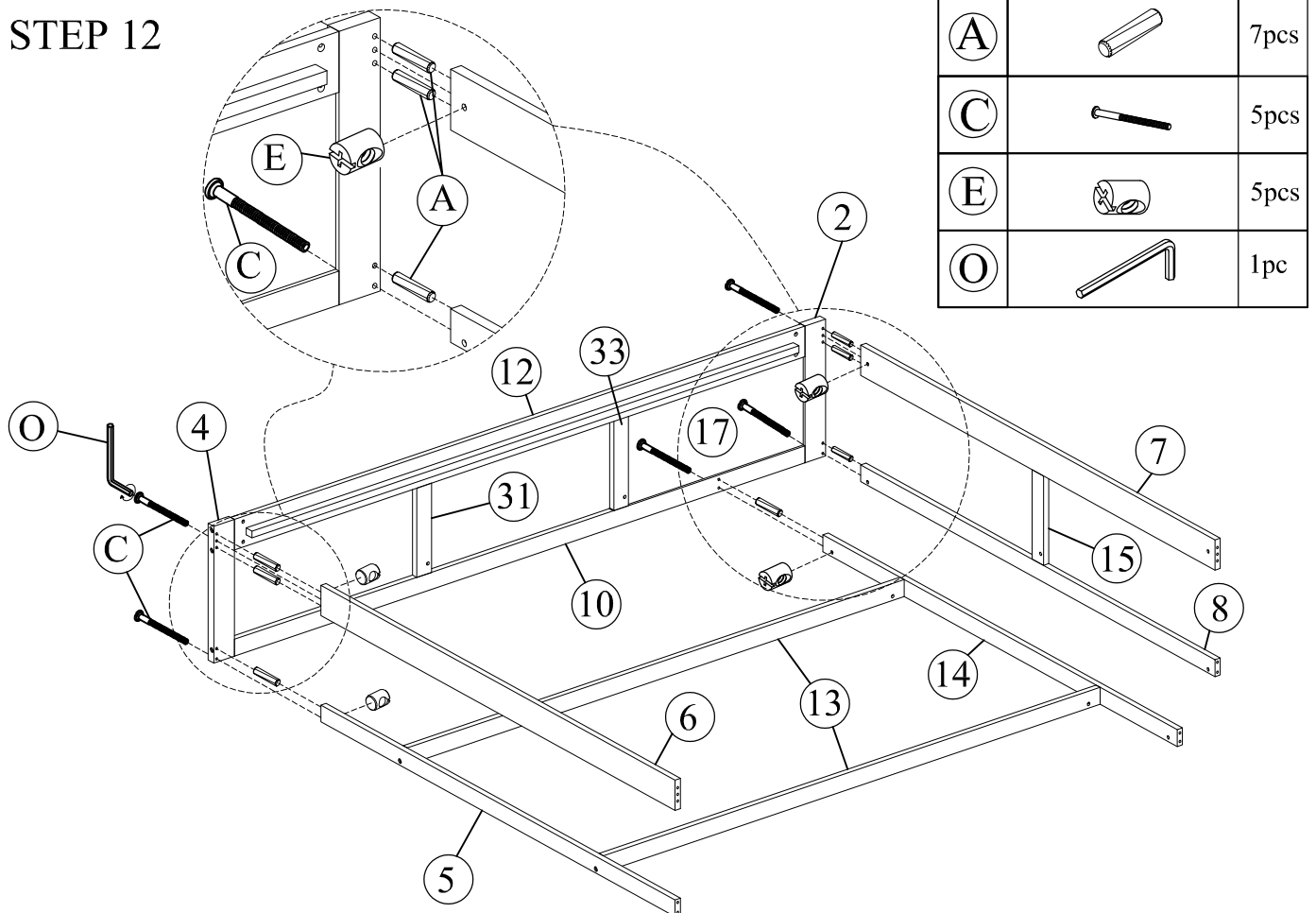
A		4pcs
C		4pcs
E		4pcs
O		1pc

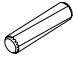





# STEP 11

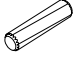





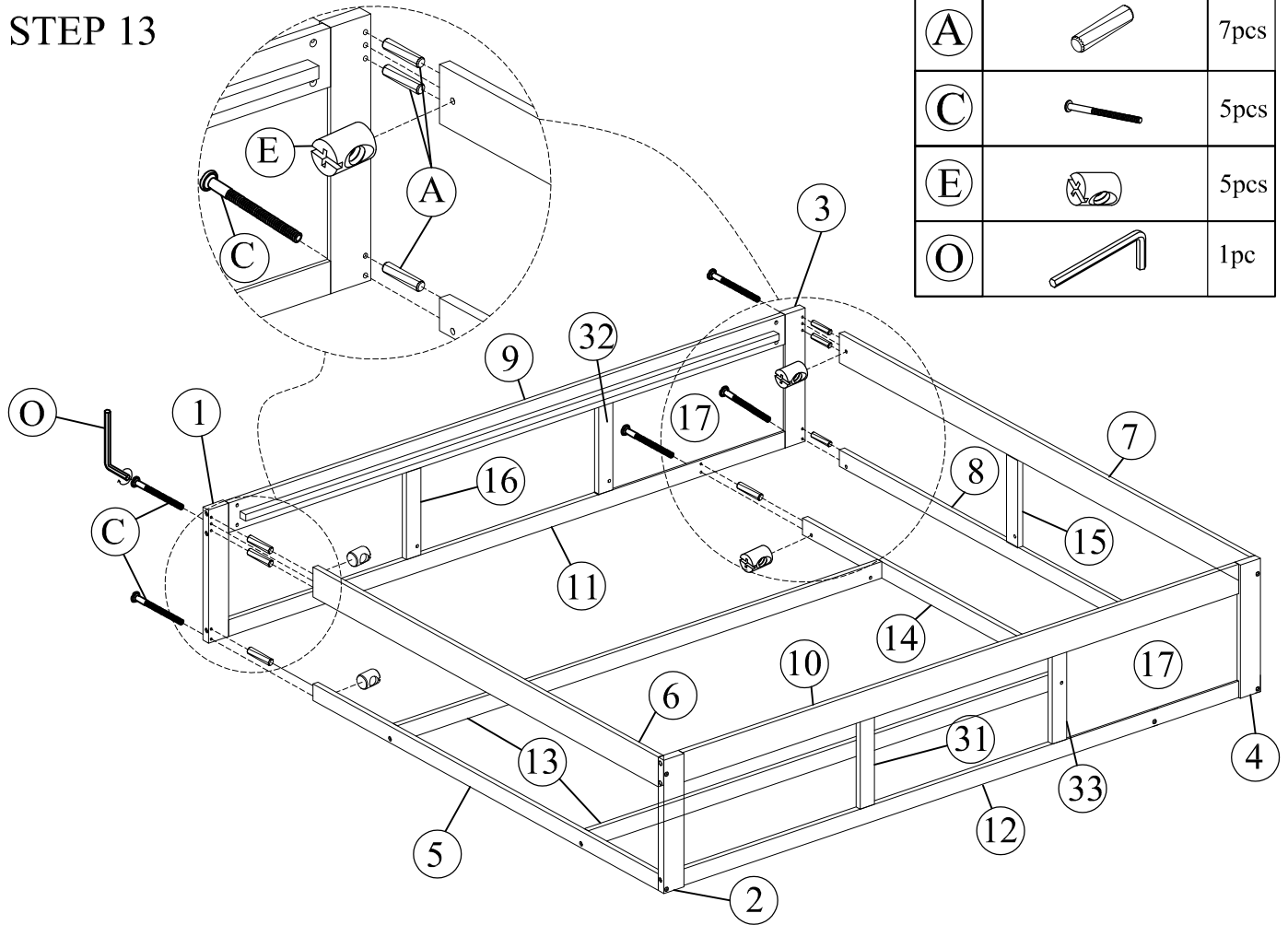
# STEP 12



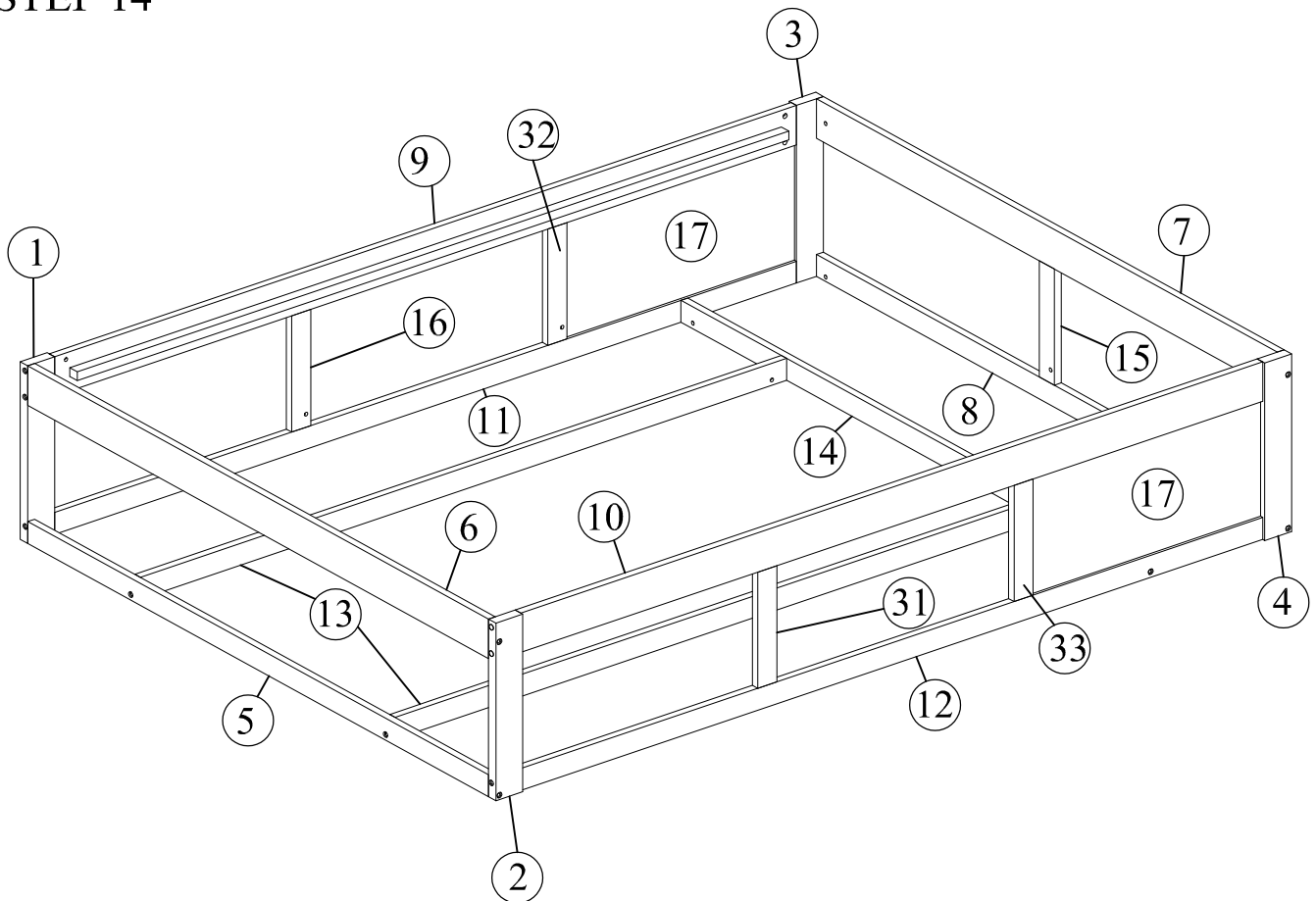
(A)		7pcs
(C)		5pcs
(E)		5pcs
(O)		1pc

# STEP 13



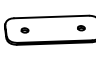
A		7pcs
C		5pcs
E		5pcs
O		1pc

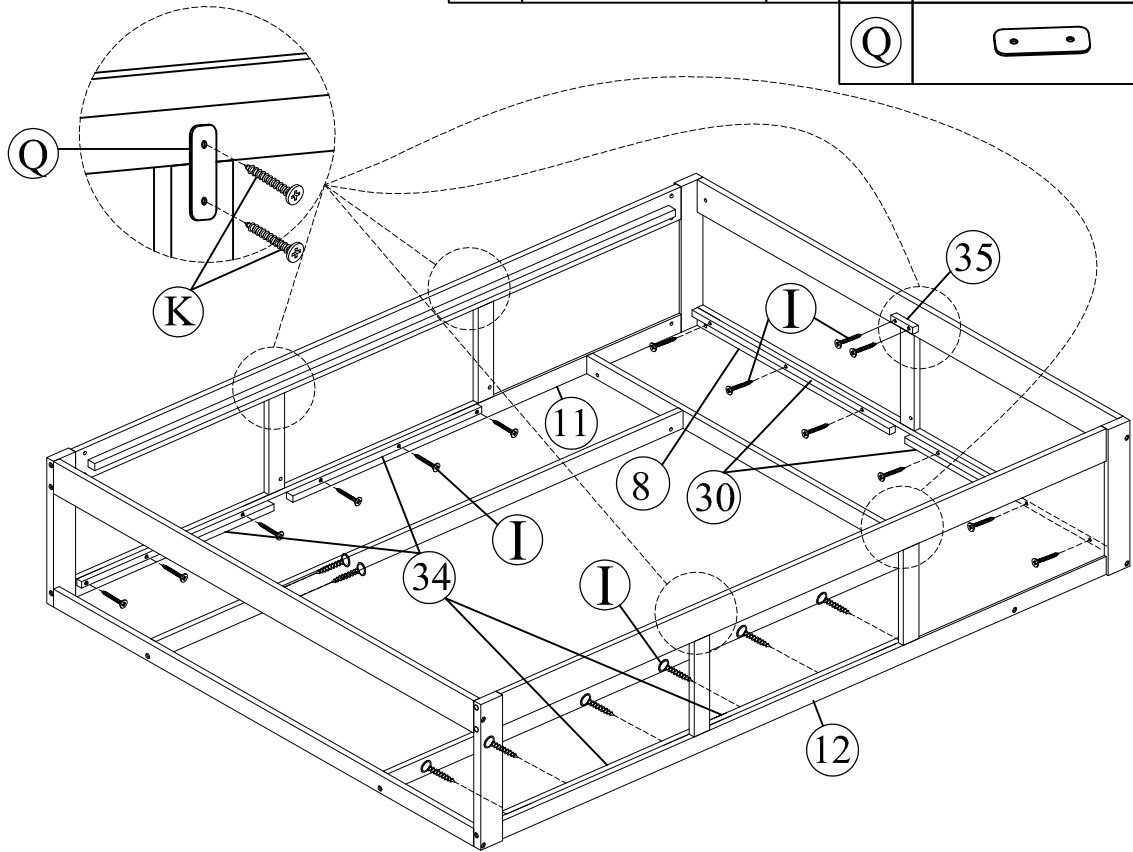


# STEP 14

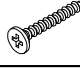

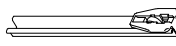


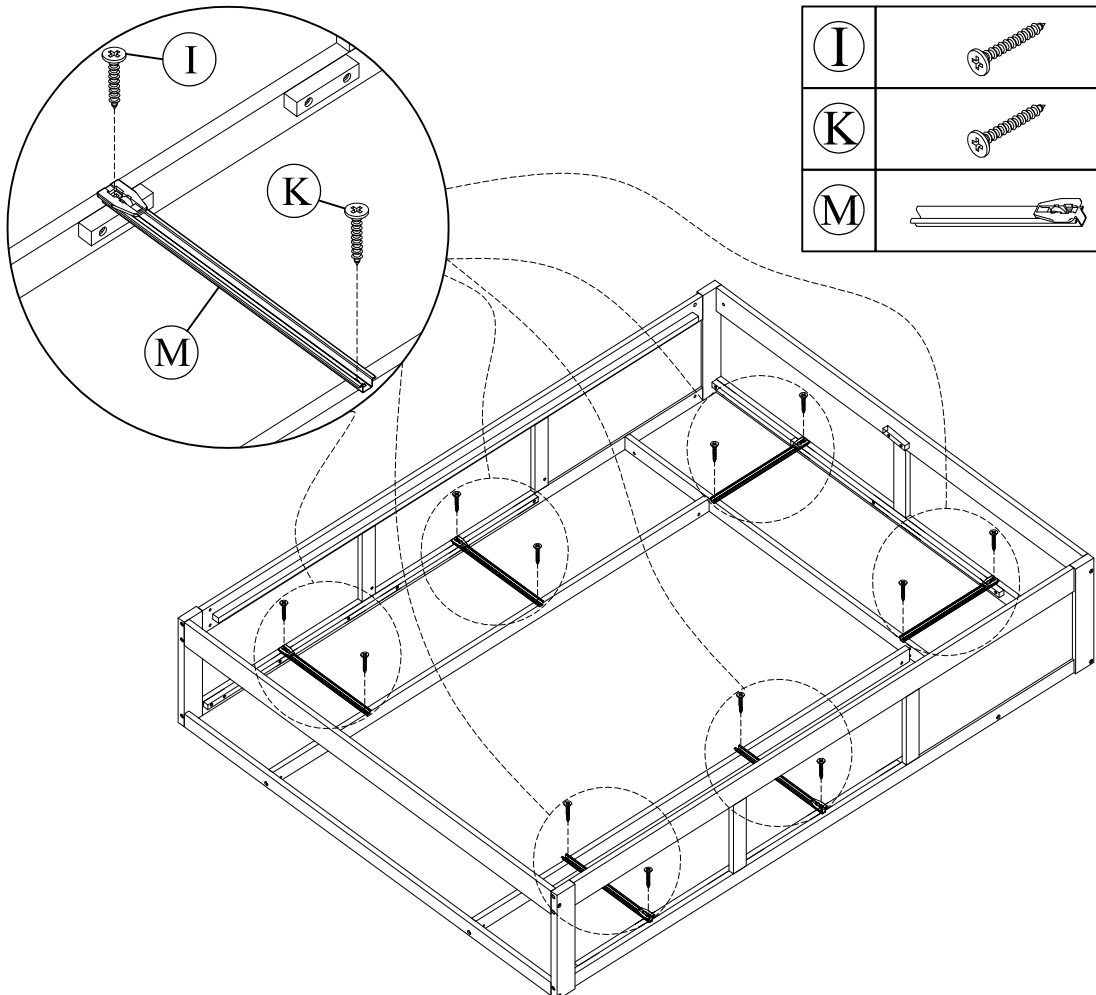
# STEP 15

(K)		10pcs	(I)		22pcs
			(Q)		5pcs




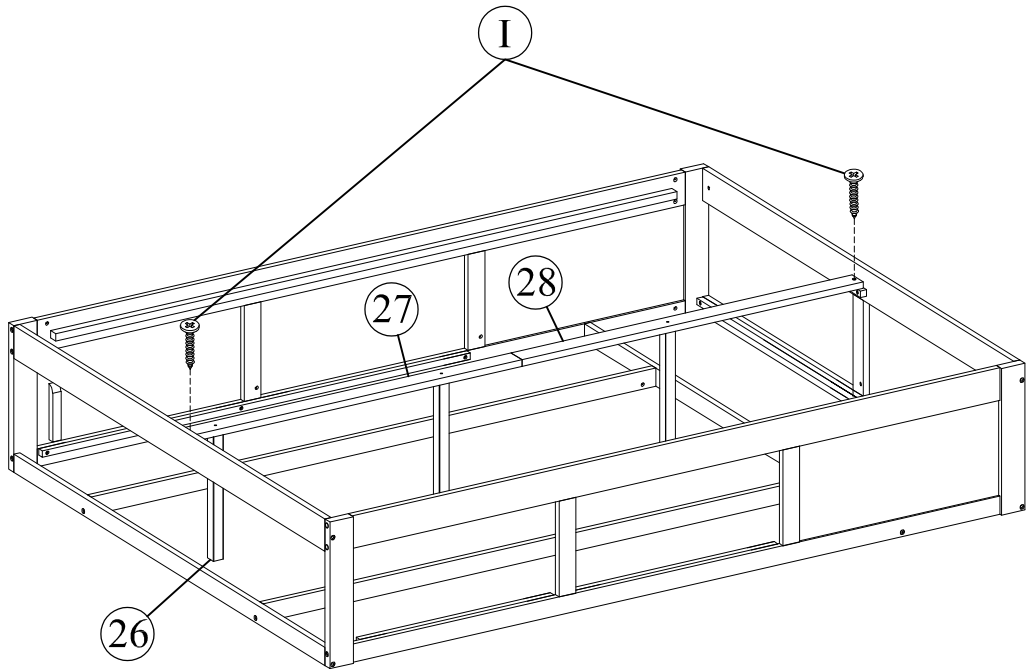
# STEP 16

(I)		6pcs
(K)		6pcs
(M)		6pcs


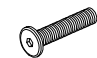



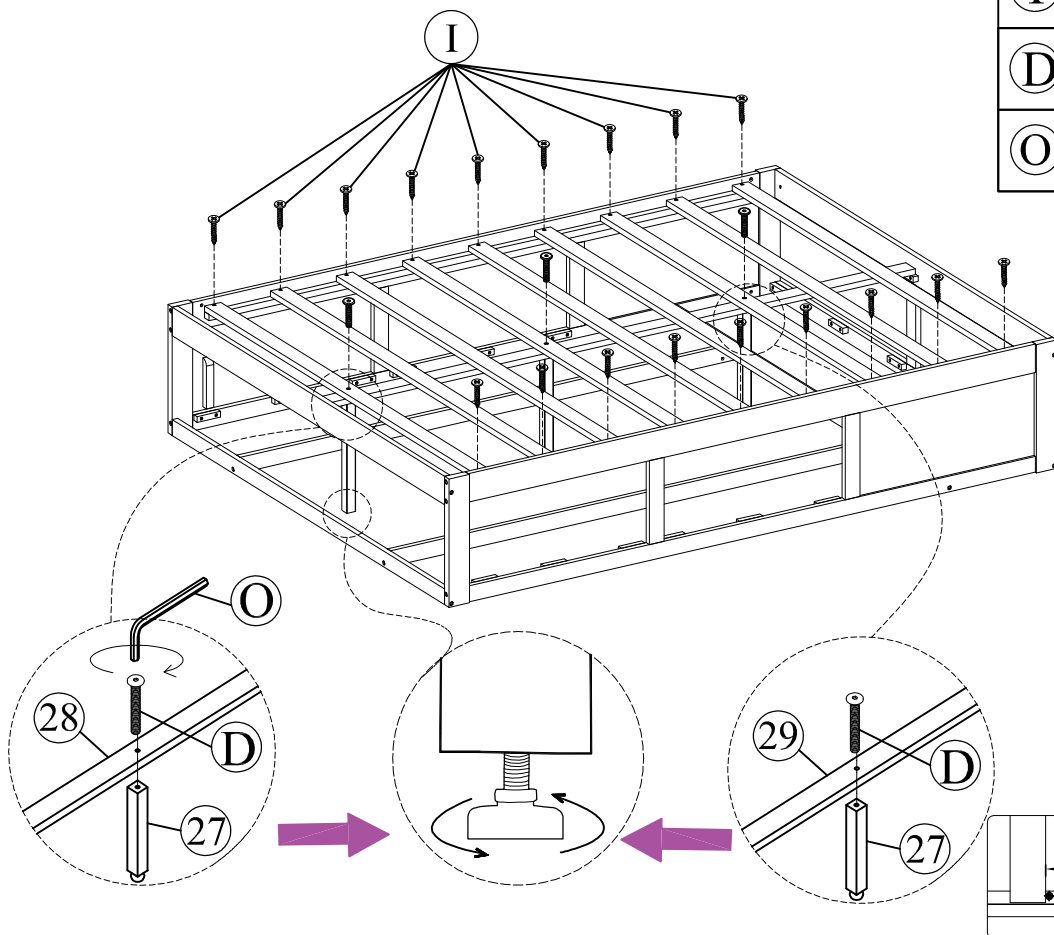
# STEP 17

I		2pcs
---	---	------

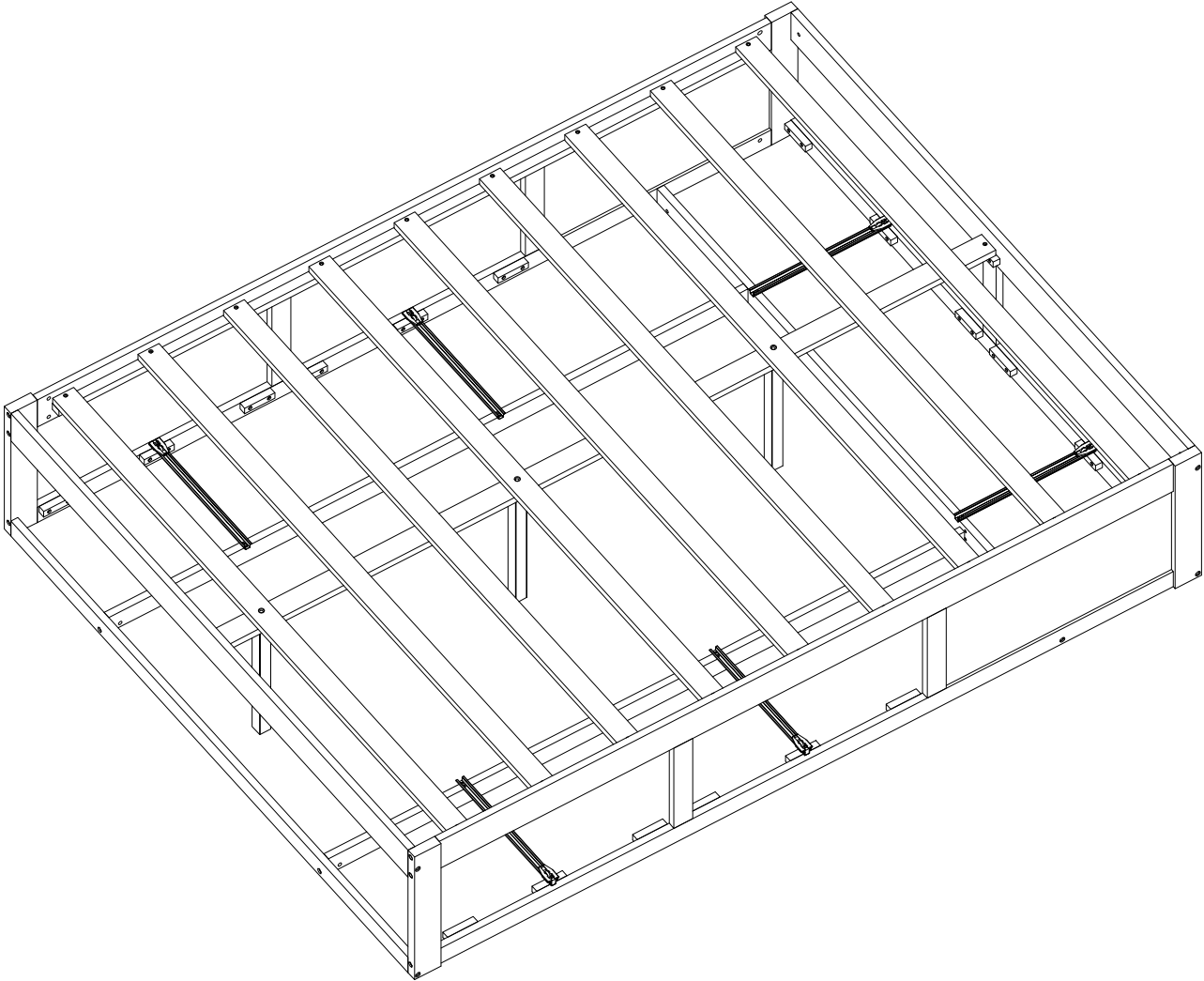


# STEP 18

I		18pcs
D		3pcs
O		1pc

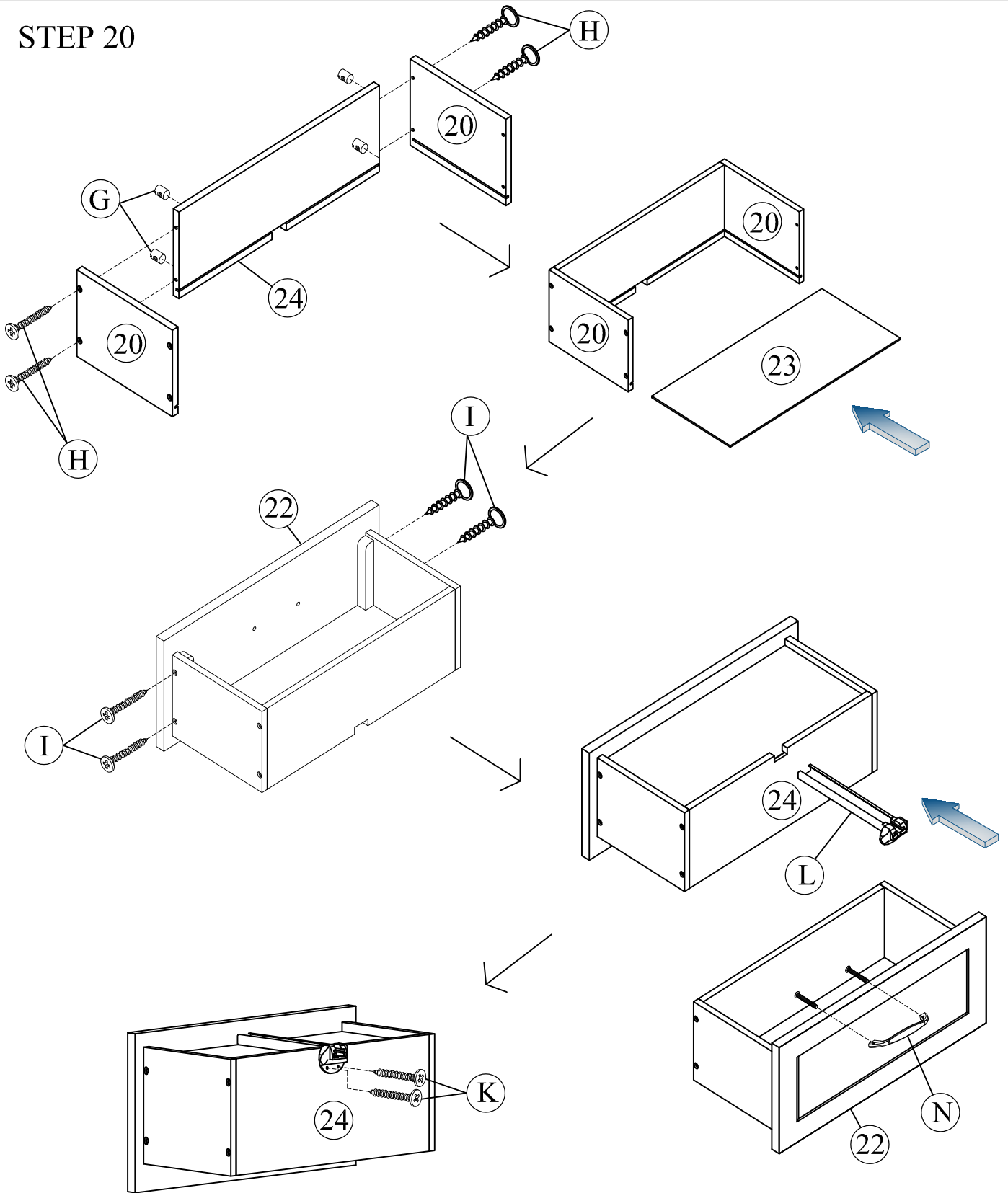


STEP 19





# STEP 20

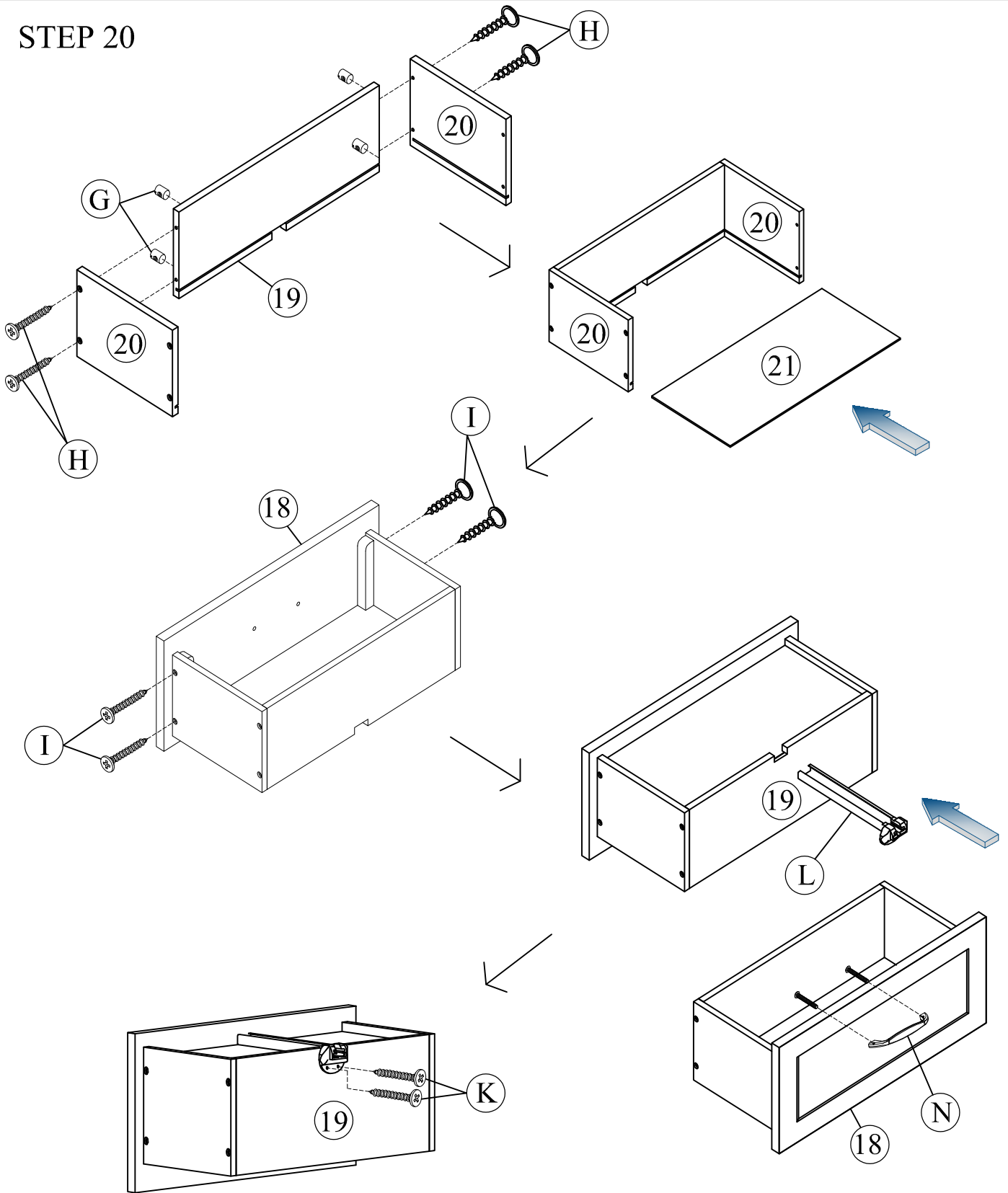


**x4**

(G)		16pcs
(N)		4pcs

(K)		8pcs
(I)		16pcs
(H)		16pcs
(L)		4pcs

# STEP 20

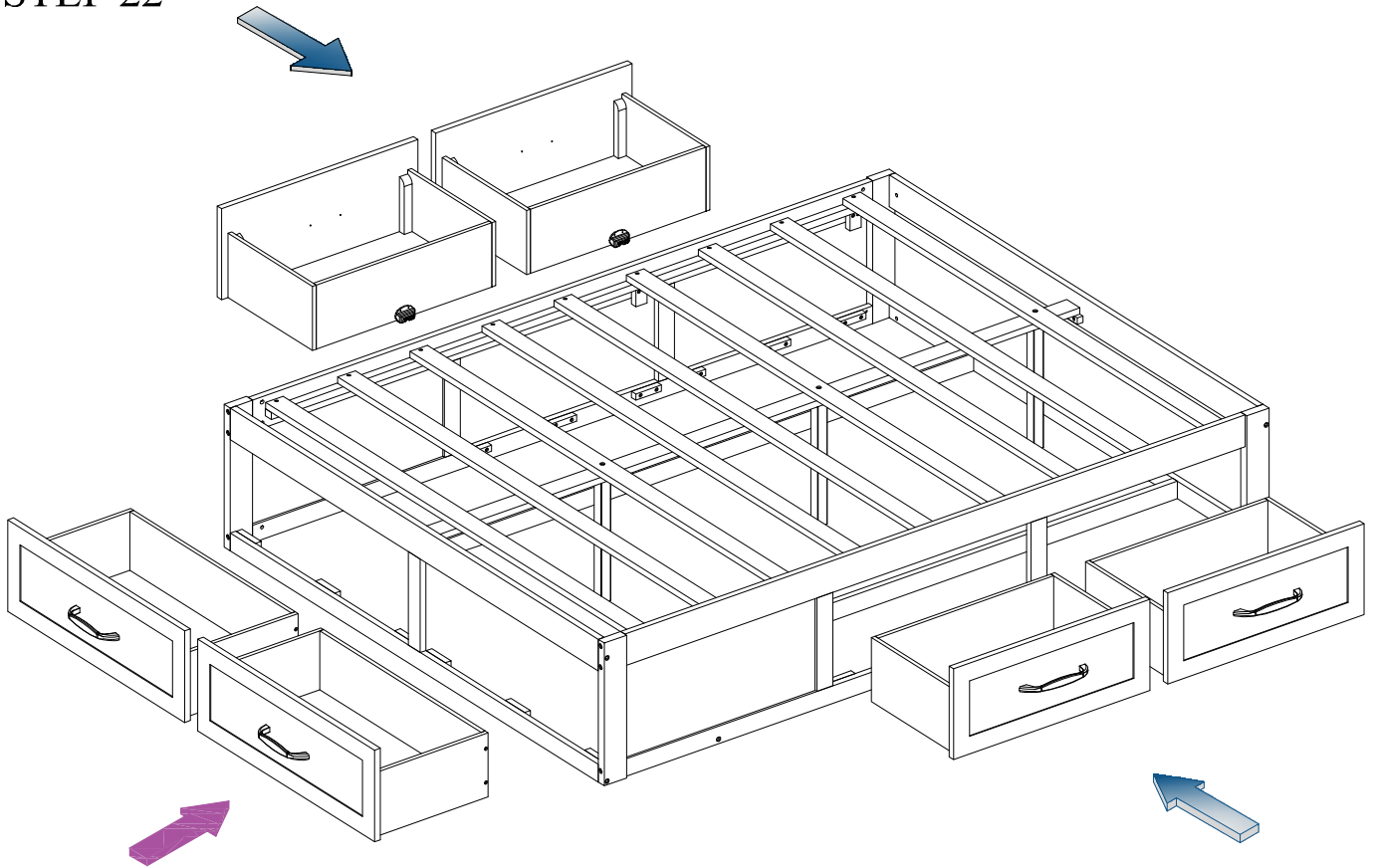


**x2**

(G)		8pcs
(N)		2pcs

(K)		4pcs
(I)		8pcs
(H)		8pcs
(L)		2pcs

STEP 22



FINALE

