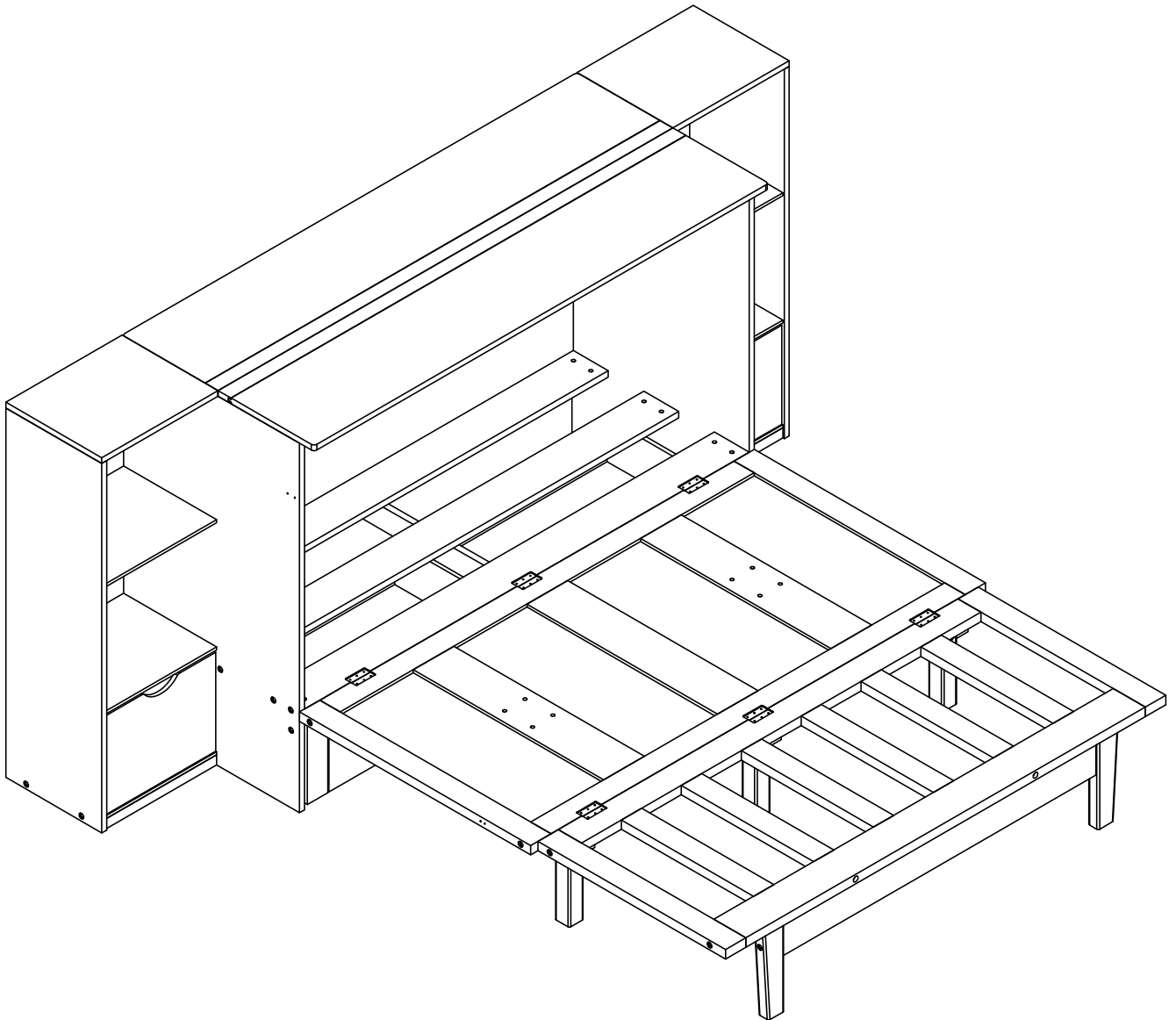
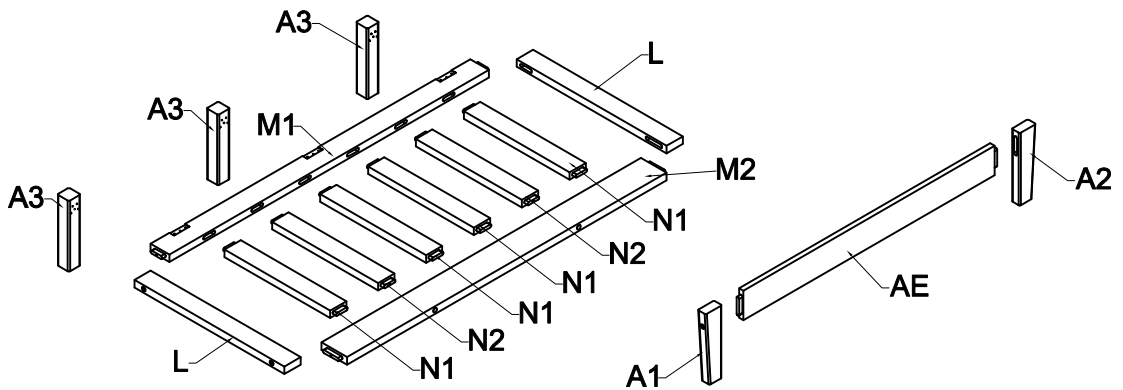
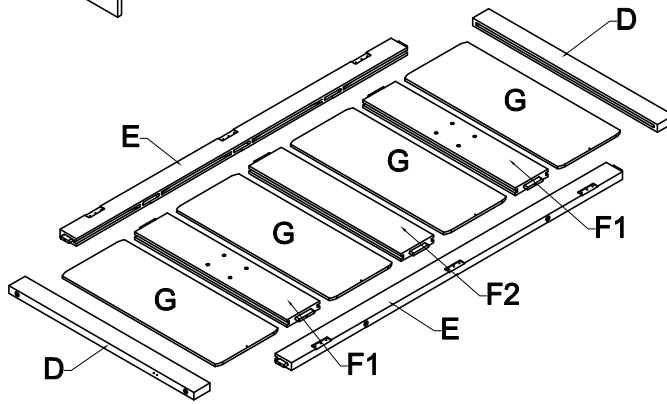
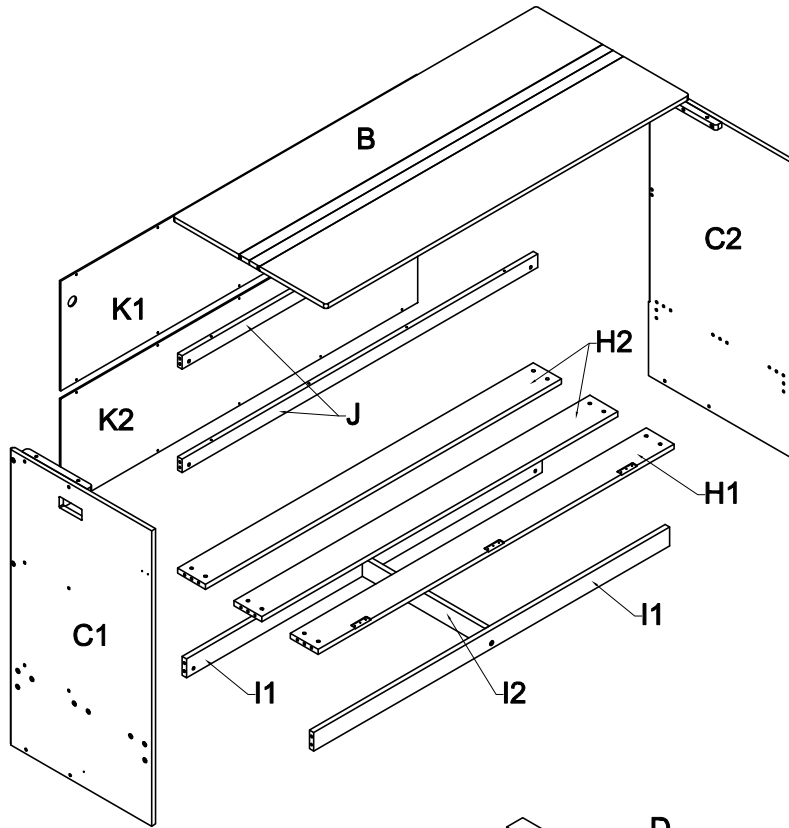


ASSEMBLY INSTRUCTIONS

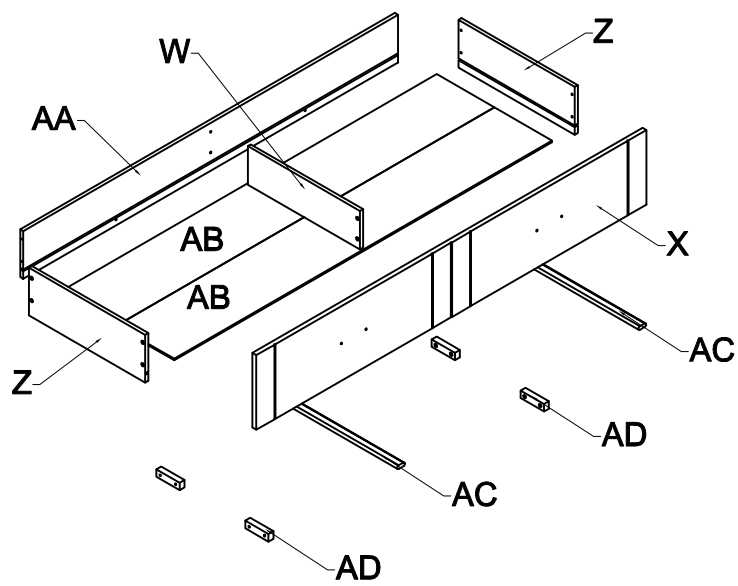
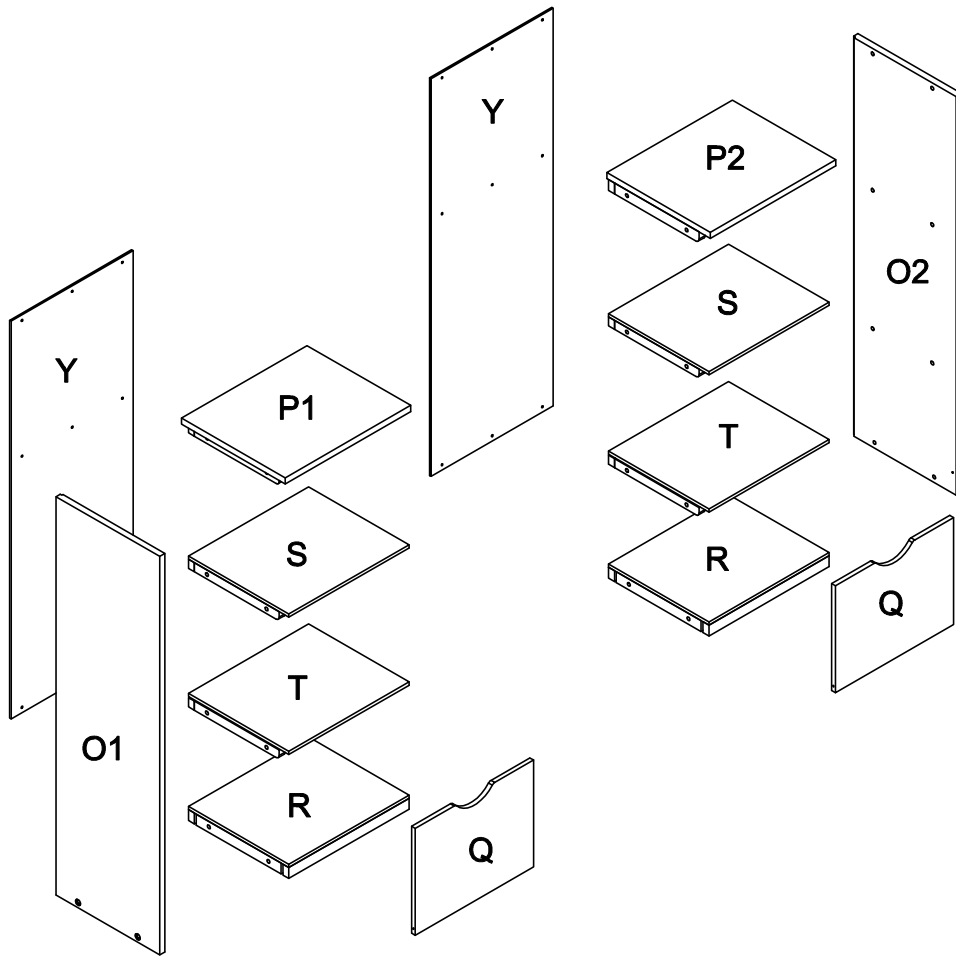
ITEM CODE: WF318949 - WF318950



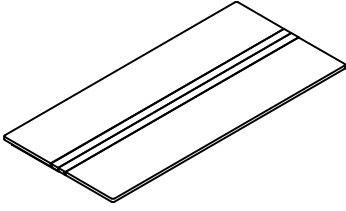
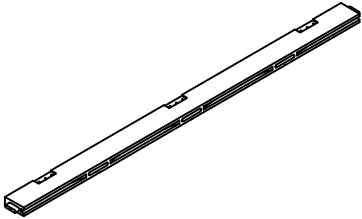
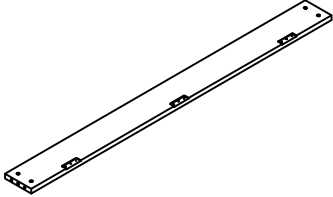
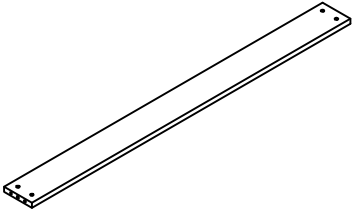
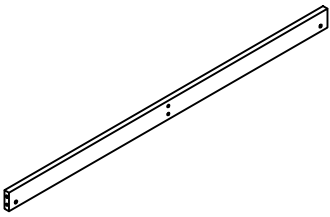
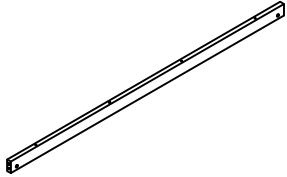
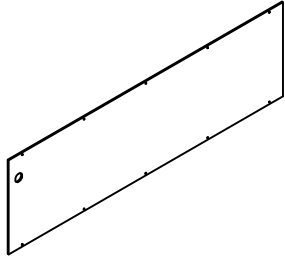
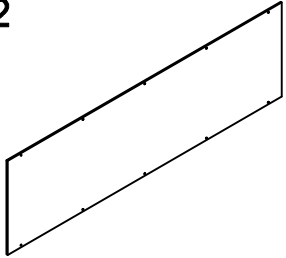
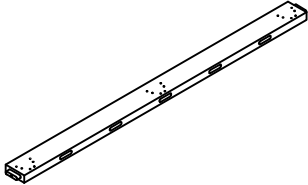
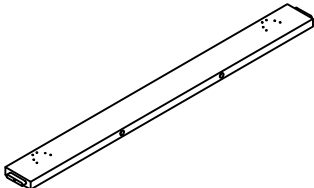
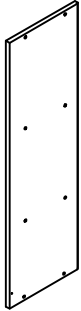
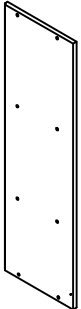
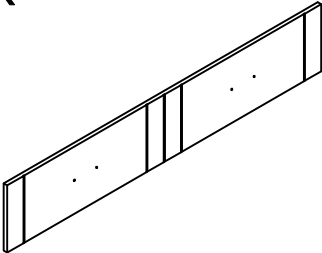
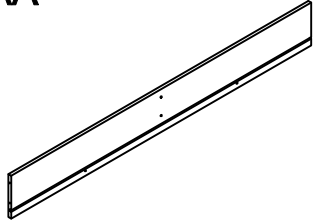
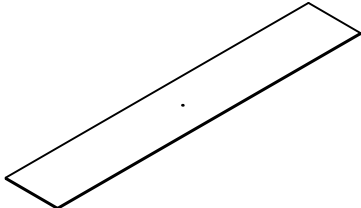
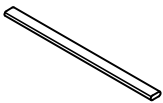
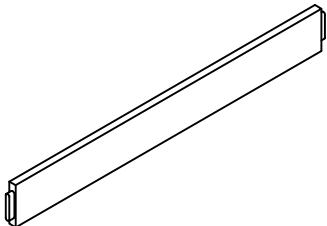
DETAIL VIEW





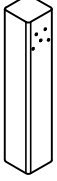
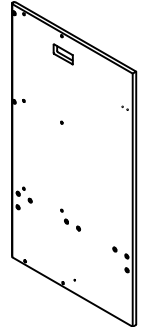
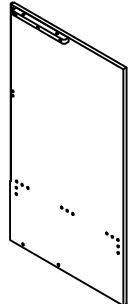
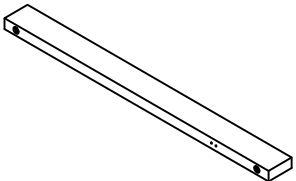
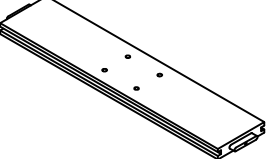
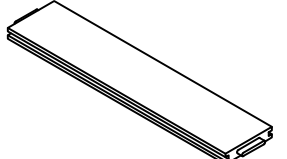
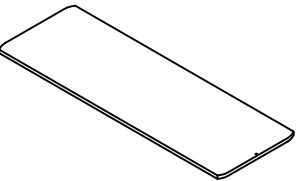
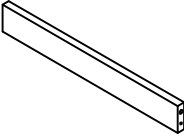
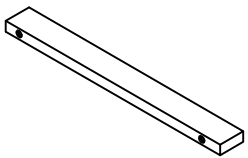
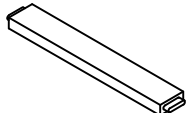
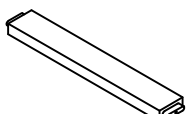
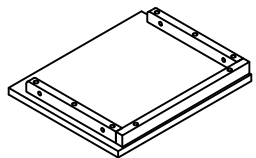
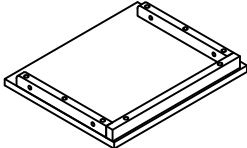
DETAIL VIEW



BOX 1: WF318949

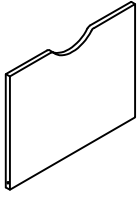
<p>B</p>  <p>Top panel (1pc)</p>	<p>E</p>  <p>Horizontal rail (2pcs)</p>	<p>H1</p>  <p>Bottom panel (1pc)</p>	<p>H2</p>  <p>Bottom panel (2pcs)</p>
<p>I1</p>  <p>Support - bottom (2pcs)</p>	<p>J</p>  <p>Back rail (2pcs)</p>	<p>K1</p>  <p>Back panel (1pc)</p>	<p>K2</p>  <p>Back panel (1pc)</p>
<p>M1</p>  <p>Horizontal rail (1pc)</p>	<p>M2</p>  <p>Horizontal rail (1pc)</p>	<p>O1</p>  <p>Side frame - left (1pc)</p>	<p>O2</p>  <p>Side frame - right (1pc)</p>
<p>X</p>  <p>Front of drawer (1pc)</p>	<p>AA</p>  <p>Back of drawer (1pc)</p>	<p>AB</p>  <p>Board that drawer (2pcs)</p>	<p>AC</p>  <p>Support drawer (2pcs)</p>
<p>AE</p>  <p>Support leg- top (1pc)</p>			

BOX 2: WF318950

<p>A1</p>  <p>Front leg - left (1pc)</p>	<p>A2</p>  <p>Front leg - right (1pc)</p>	<p>A3</p>  <p>Extra leg (3pcs)</p>	<p>C1</p>  <p>Side frame - left (1pc)</p>
<p>C2</p>  <p>Side frame - right (1pc)</p>	<p>D</p>  <p>Vertical side rail (2pcs)</p>	<p>F1</p>  <p>Vertical bar (2pcs)</p>	<p>F2</p>  <p>Vertical bar (1pc)</p>
<p>G</p>  <p>Front panel (4pcs)</p>	<p>I2</p>  <p>Support bottom (1pc)</p>	<p>L</p>  <p>Vertical side rail (2pcs)</p>	<p>N1</p>  <p>Vertical bar (4pcs)</p>
<p>N2</p>  <p>Vertical bar (2pcs)</p>	<p>P1</p>  <p>Cabinet face (1pc)</p>	<p>P2</p>  <p>Cabinet face (1pc)</p>	

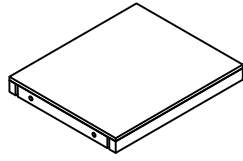
BOX 2: WF318950

Q



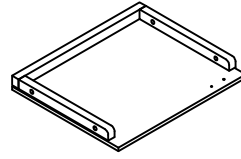
Door (2pcs)

R



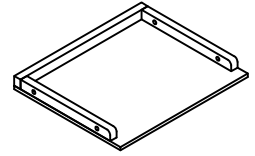
Cabinet shelves (2pcs)

T



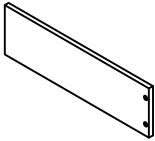
Cabinet shelves (2pcs)

S



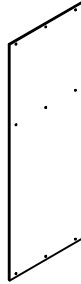
Cabinet shelves (2pcs)

W



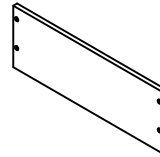
Middle divider (1pc)

Y



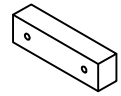
Back panel (2pcs)

Z



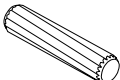




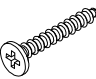


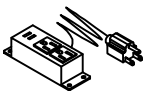

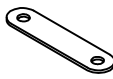
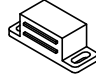
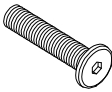
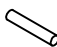
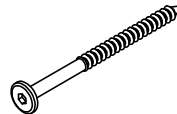

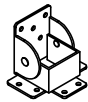

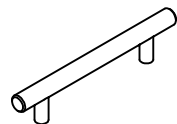

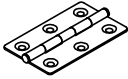
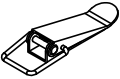


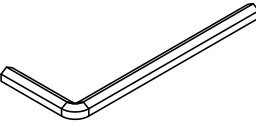
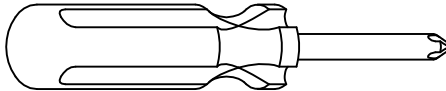
Hip pull (2pcs)

AD

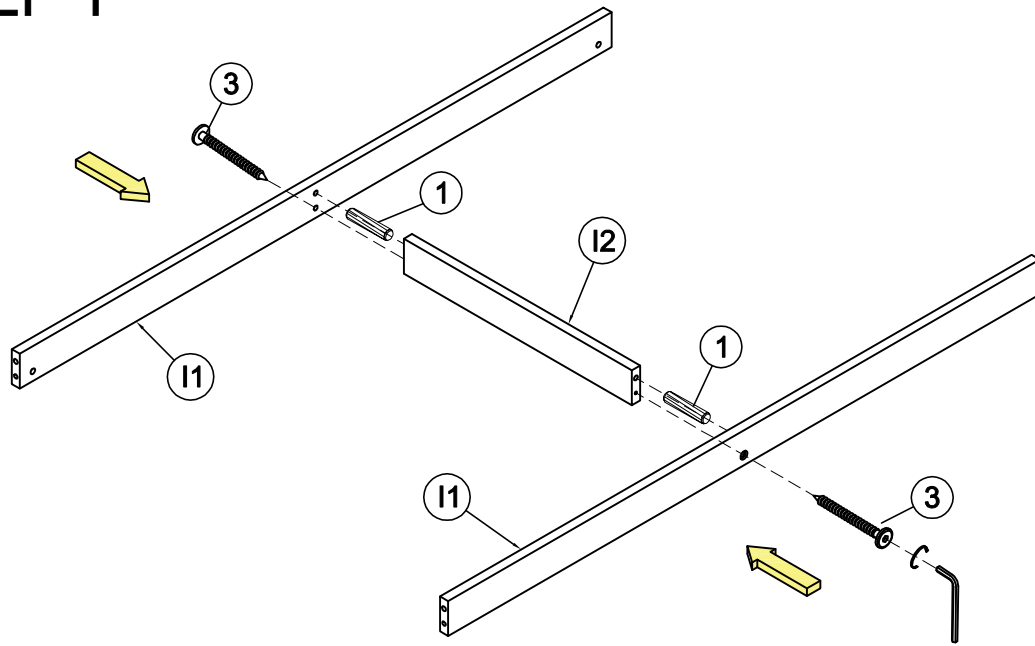


Wheel support (4pcs)

HARDWARE LIST: WF318950

<p>1</p>  <p>Wood dowel Ø8 * 30 - 16pcs</p>	<p>2</p>  <p>Horizontal - Hold bolts Ø1/4" - 20pcs</p>	<p>3</p>  <p>Hexagonal bolts catch wood Ø1/4" * 50 - 2pcs</p>	<p>4</p>  <p>Hex - Head bolts Ø1/4" * 60 - 20pcs</p>
<p>5</p>  <p>Wood crews M4 * 45 - 4pcs</p>	<p>6</p>  <p>Wood crews M4 * 25 - 22pcs</p>	<p>7</p>  <p>Round wood crews M3.5 * 20 - 55pcs</p>	<p>8</p>  <p>Round wood crews M3.5 * 15 - 56pcs</p>
<p>9</p>  <p>Power outlet - 1pc</p>	<p>10</p>  <p>Wood crews M3.5 * 12 - 4pcs</p>	<p>11</p>  <p>Mending plate - 2pcs</p>	<p>12</p>  <p>Magnet - 2pcs</p>
<p>13</p>  <p>Hex - Head bolts Ø1/4" * 30 - 36pcs</p>	<p>14</p>  <p>Steel dowel Ø3 * 17 - 4pcs</p>	<p>15</p>  <p>Hexagonal bolts catch wood Ø1/4" * 90 - 16pcs</p>	<p>16</p>  <p>Hexagonal bolts catch wood Ø1/4" * 120 - 2pcs</p>
<p>17</p>  <p>Folded patt - 5pcs</p>	<p>18</p>  <p>Round crews Ø5/32" * 25 - 12pcs</p>	<p>19</p>  <p>Handle - 6pcs</p>	<p>20</p>  <p>Wood crews M3.5 * 15 - 44pcs</p>
<p>21</p>  <p>Hinge - 6pcs</p>	<p>22</p>  <p>Duckbill lock A - 2pcs</p>	<p>23</p>  <p>Duckbill lock B - 2pcs</p>	<p>24</p>  <p>Wheel 4pcs</p>
<p>25</p>  <p>Allen key K4 - 2pcs</p>	 <p>Asembly Tools Required (Not Included)</p>		

STEP 1



1



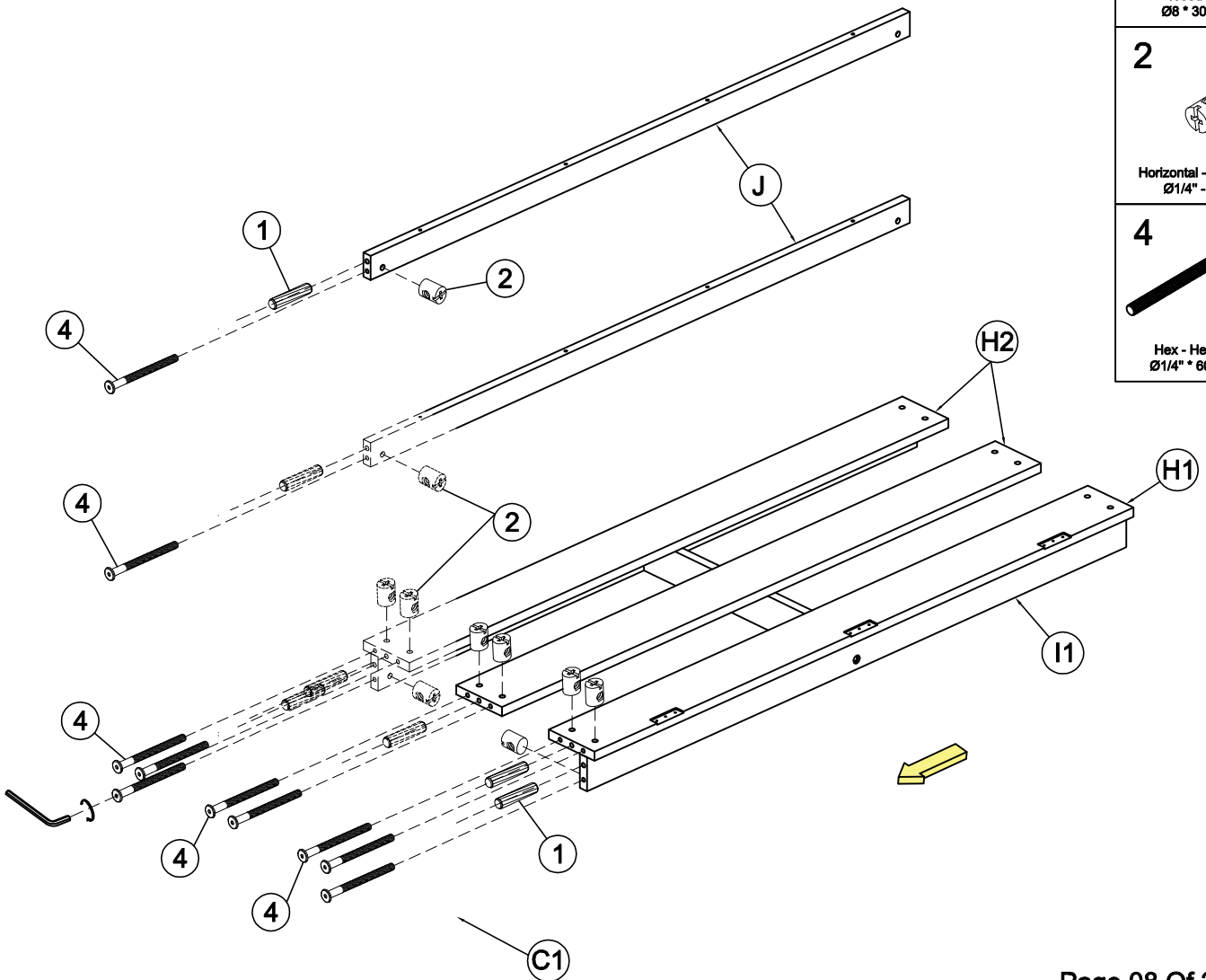
Wood dowel
Ø8 * 30 - 2pcs

3



Hexagonal bolts catch wood
Ø1/4" * 50 - 2pcs

STEP 2



1



Wood dowel
Ø8 * 30 - 7pcs

2



Horizontal - Hold bolts
Ø1/4" - 10pcs

4



Hex - Head bolts
Ø1/4" * 60 - 10pcs

STEP 3

1



Wood dowel
Ø8 * 30 - 7pcs

2

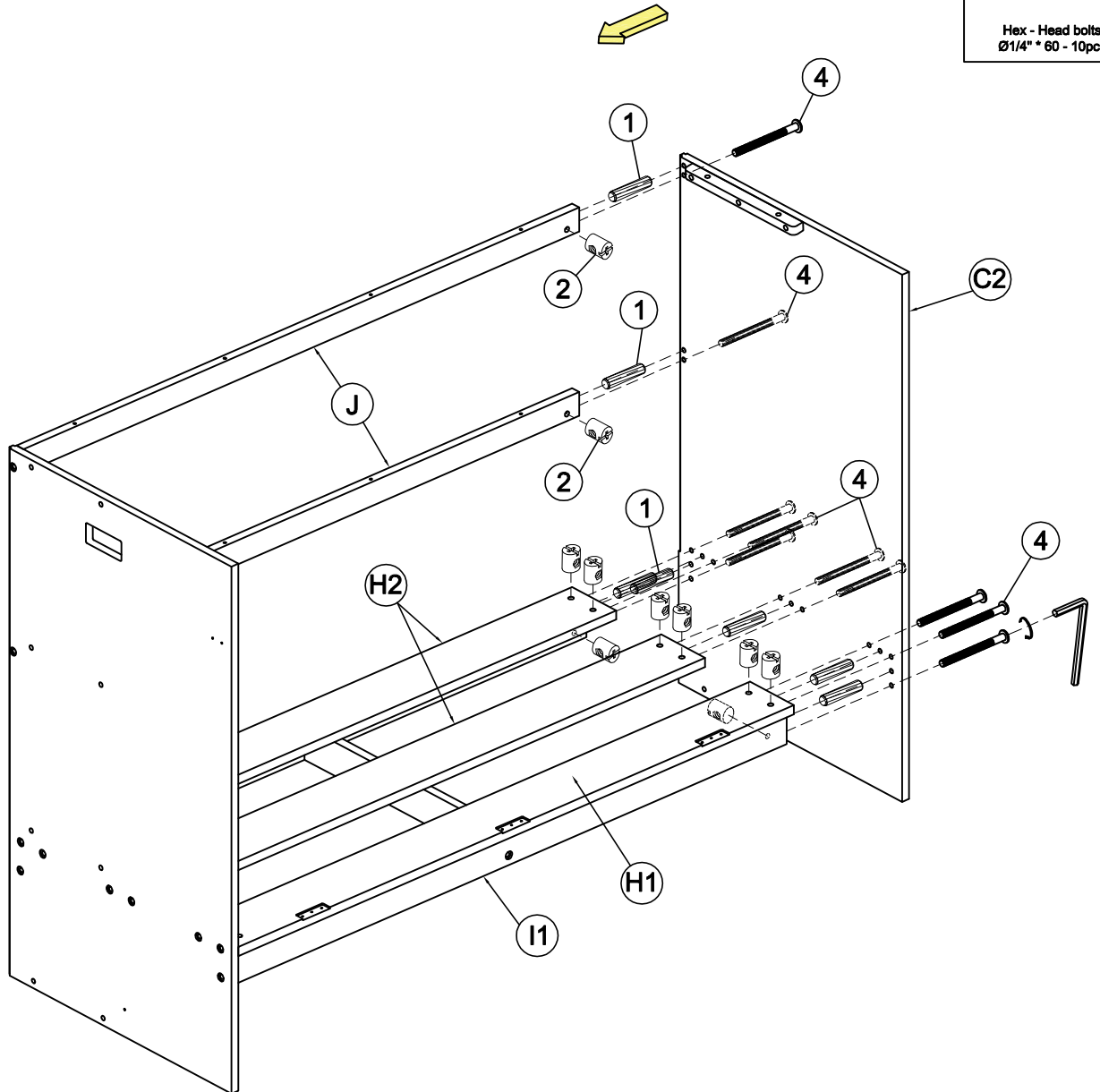


Horizontal - Hold bolts
Ø1/4" - 10pcs

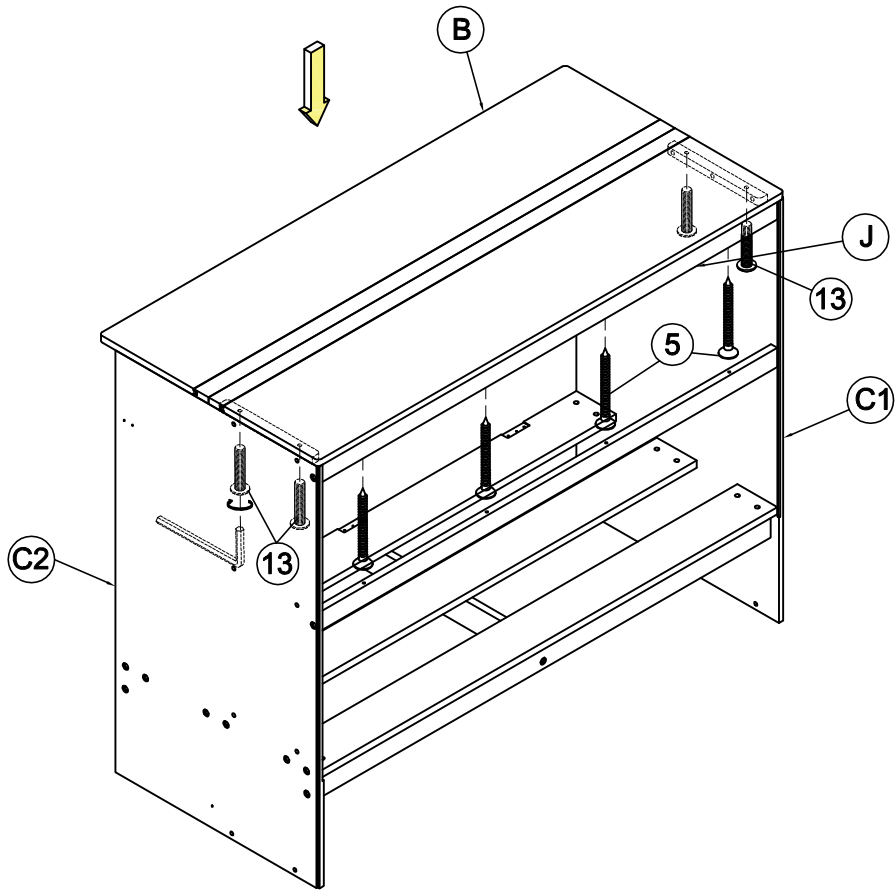
4



Hex - Head bolts
Ø1/4" * 60 - 10pcs



STEP 4



13



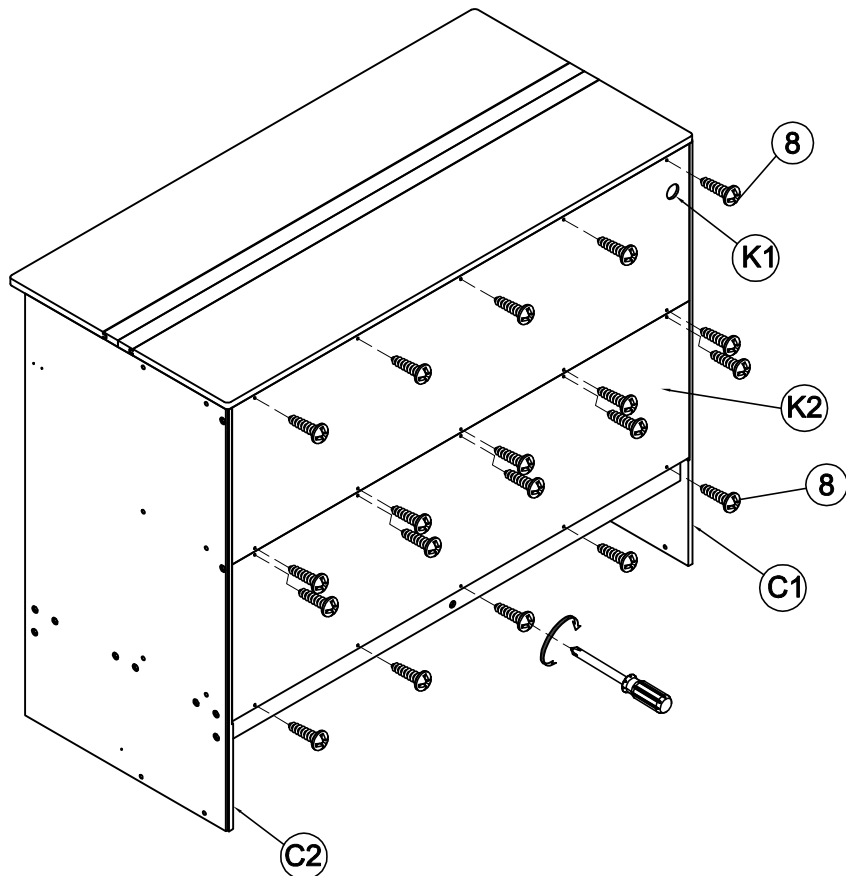
Hex - Head bolts
Ø1/4" * 30 - 4pcs

5



Wood screws
M4 * 45 - 4pcs

STEP 5



8



Round wood screws
M3.5 * 15 - 20pcs

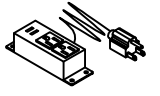
STEP 6

8

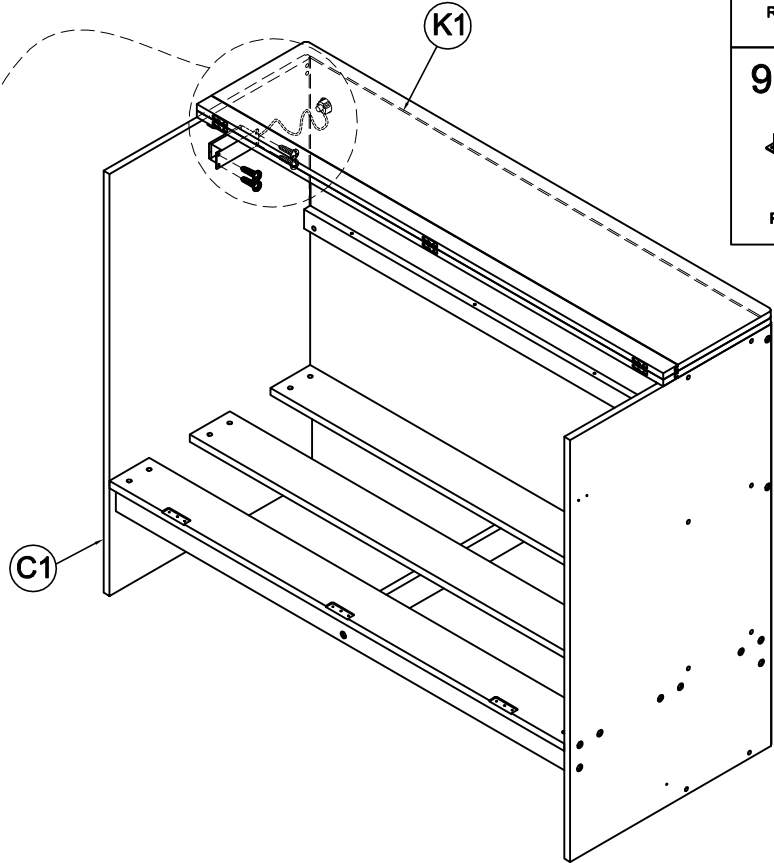
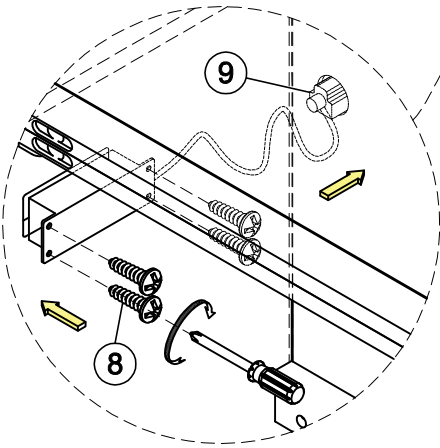


Round wood crews
M3.5 * 15 - 4pcs

9



Power outlet - 1pc



STEP 7

8



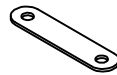
Round wood crews
M3.5 * 15 - 4pcs

10



Wood crews
M3.5 * 12 - 4pcs

11

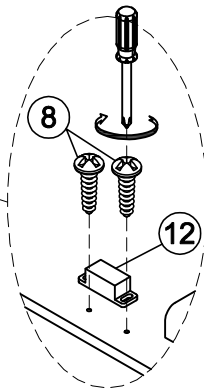
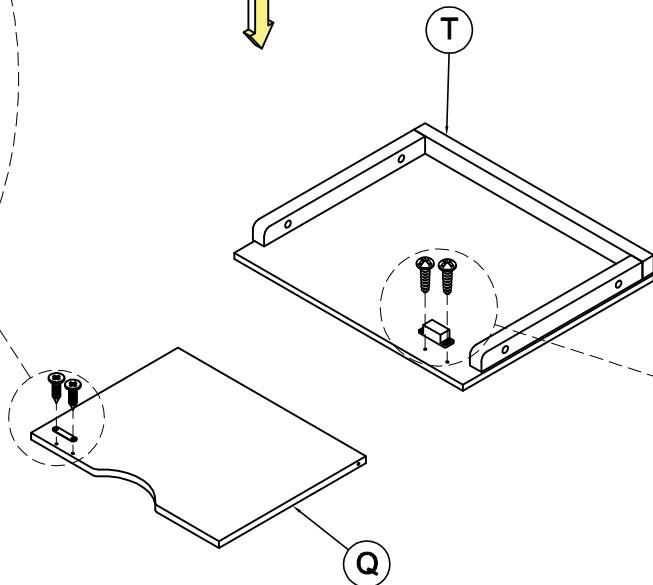
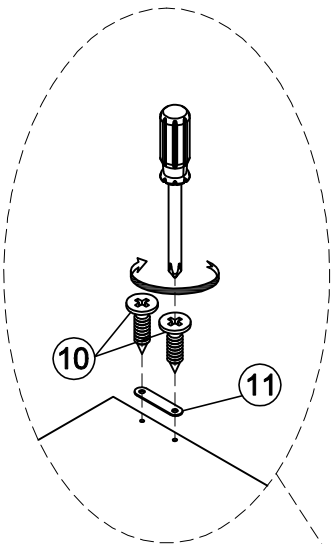


Mending plate - 2pcs

12

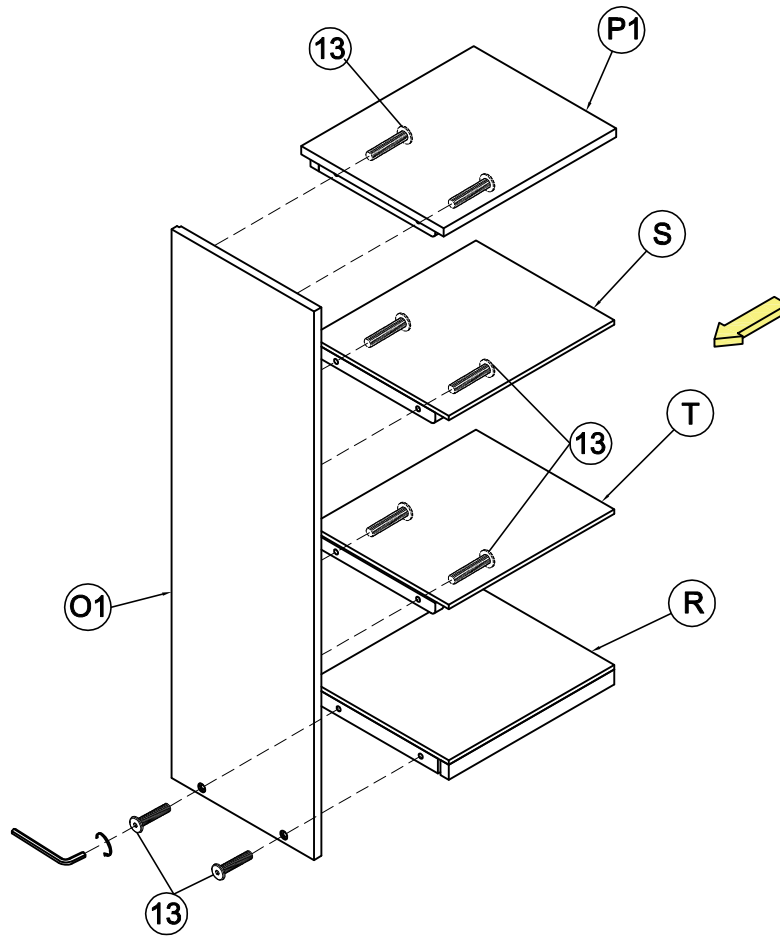


Magnet - 2pcs



X2

STEP 8

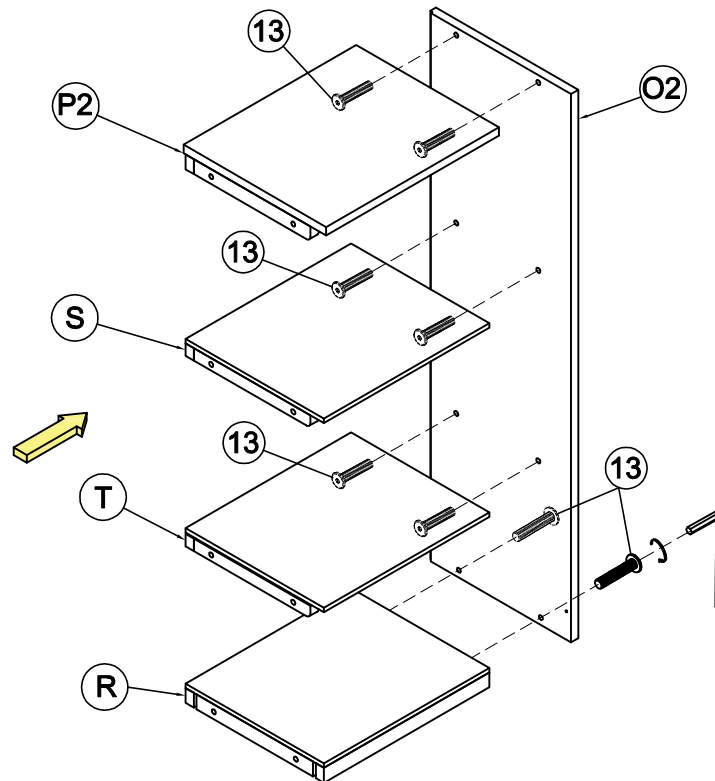


13



Hex - Head bolts
Ø1/4" * 30 - 8pcs

STEP 9

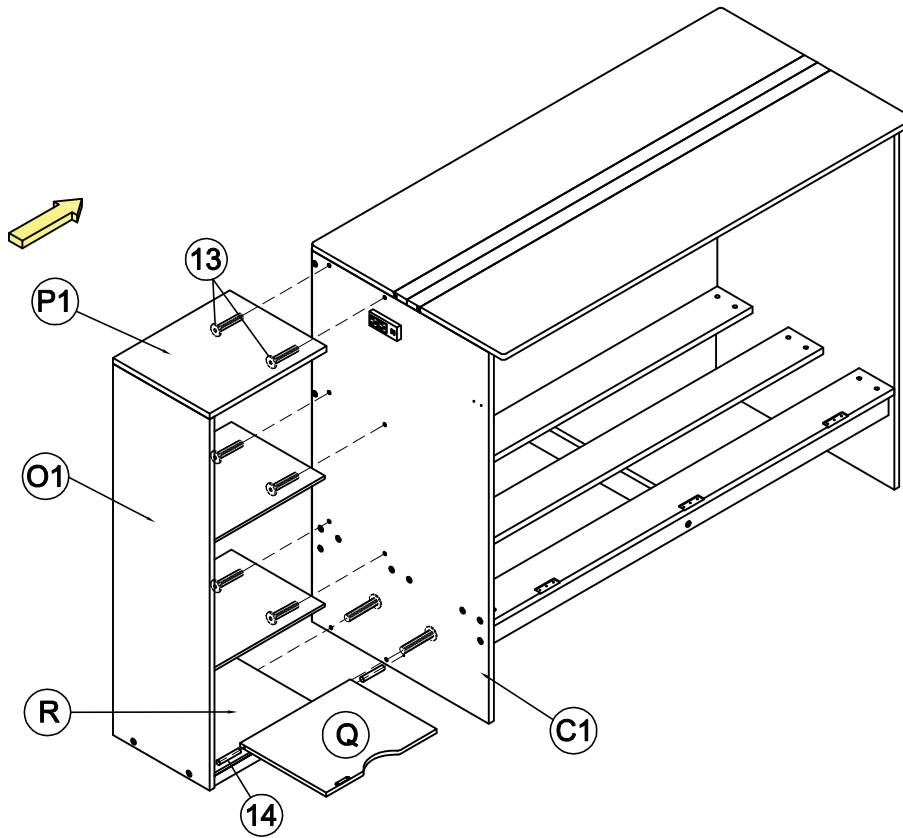


13



Hex - Head bolts
Ø1/4" * 30 - 8pcs

STEP 10



13



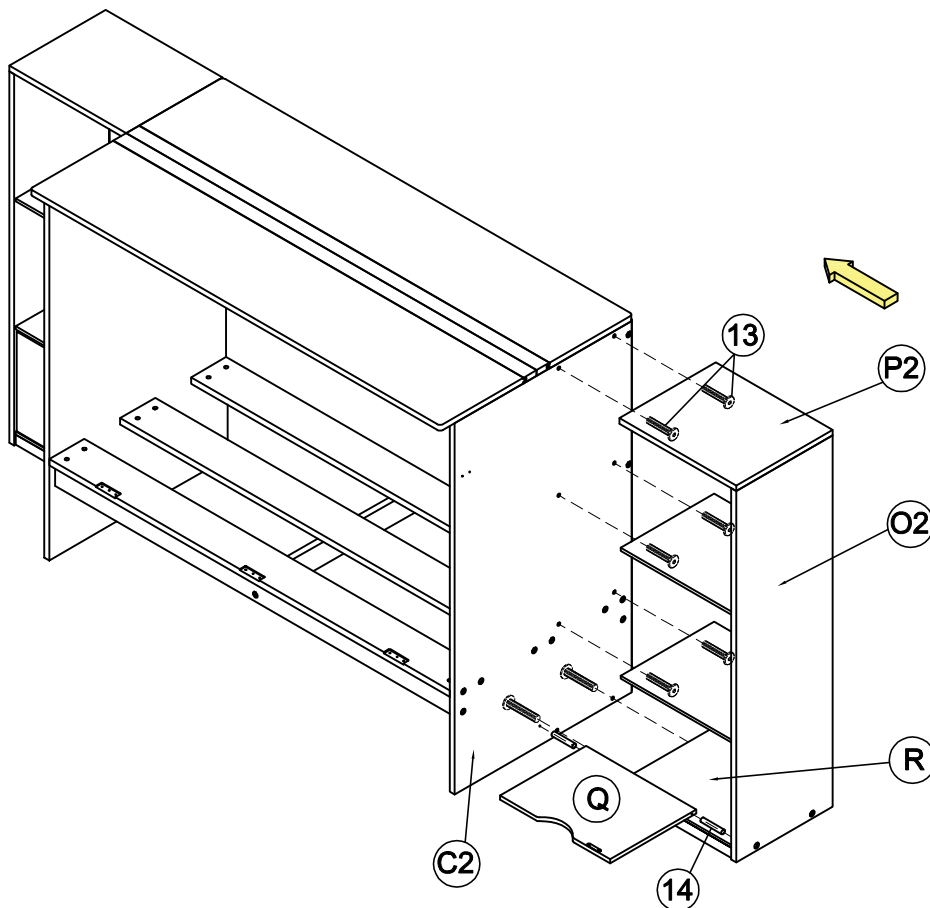
Hex - Head bolts
Ø1/4" * 30 - 8pcs

14



Steel dowel
Ø3 * 17 - 2pcs

STEP 11



13



Hex - Head bolts
Ø1/4" * 30 - 8pcs

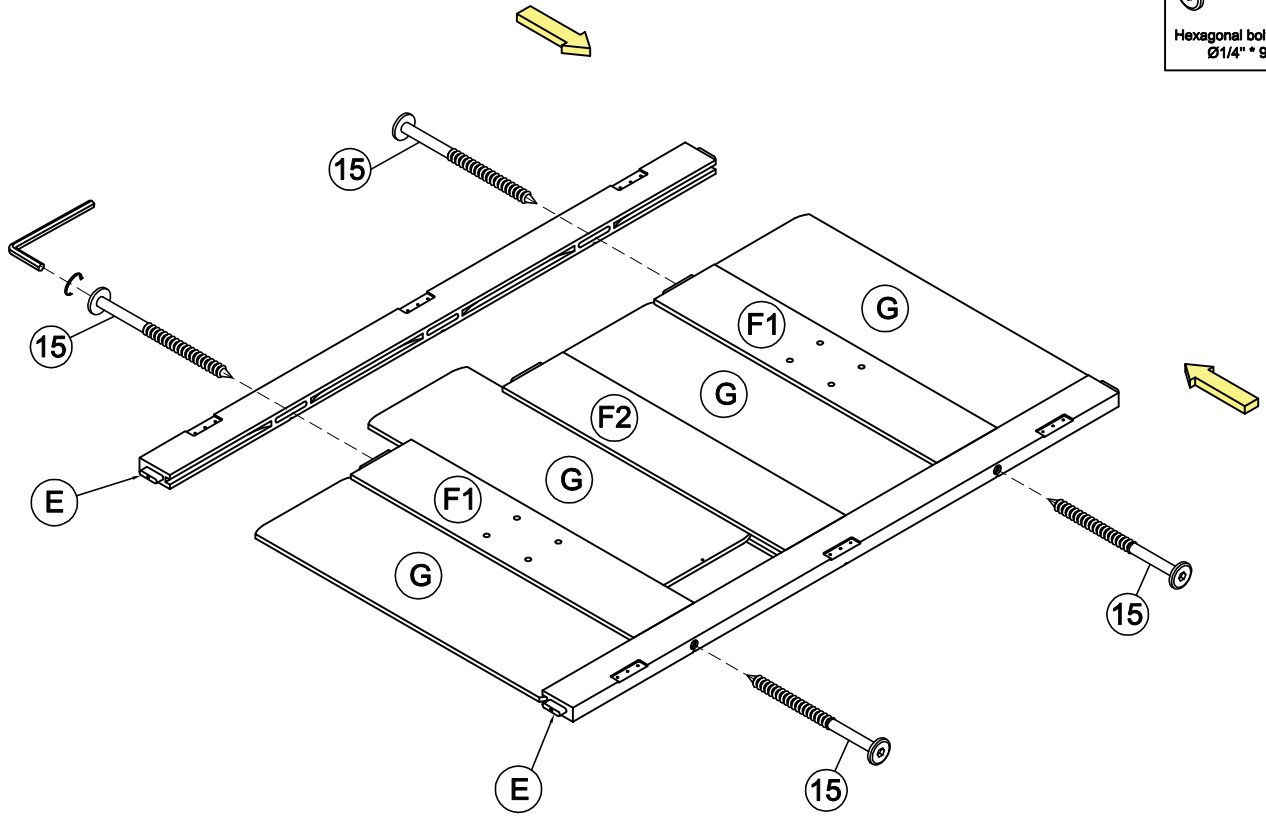
14



Steel dowel
Ø3 * 17 - 2pcs

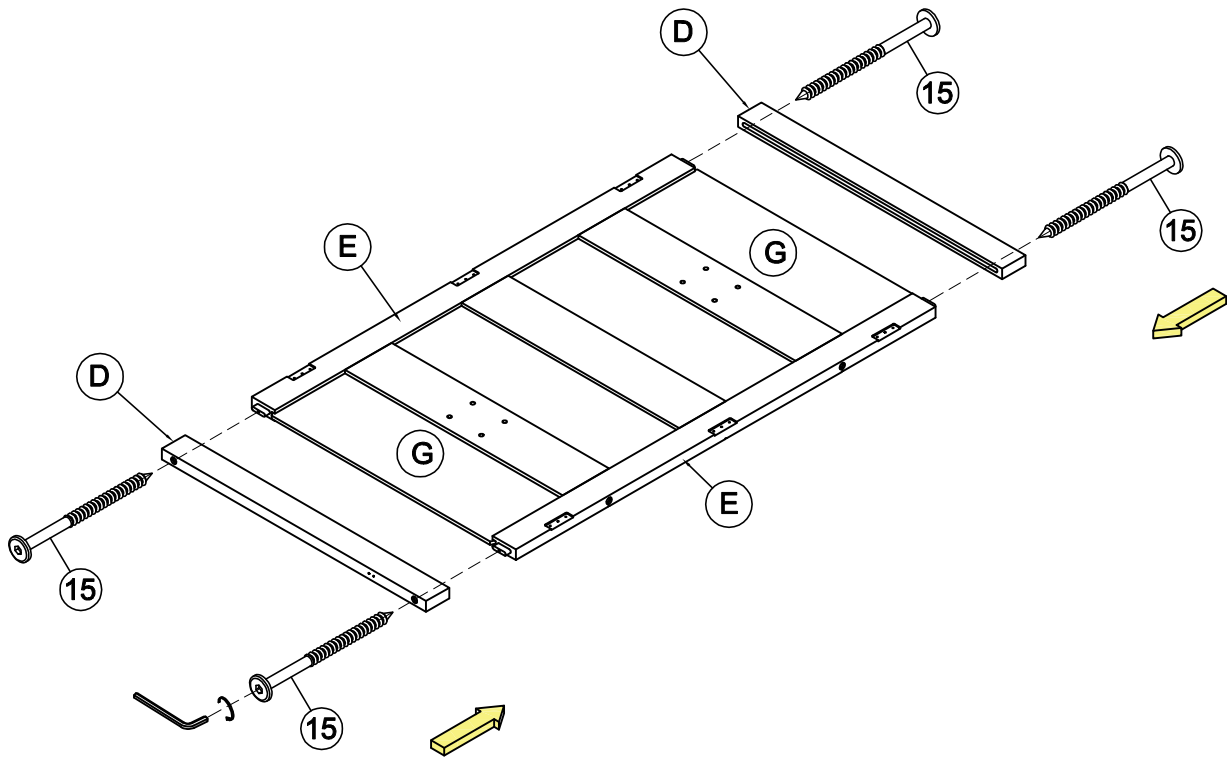
STEP 12

15
Hexagonal bolts catch wood
Ø1/4" * 90 - 4pcs

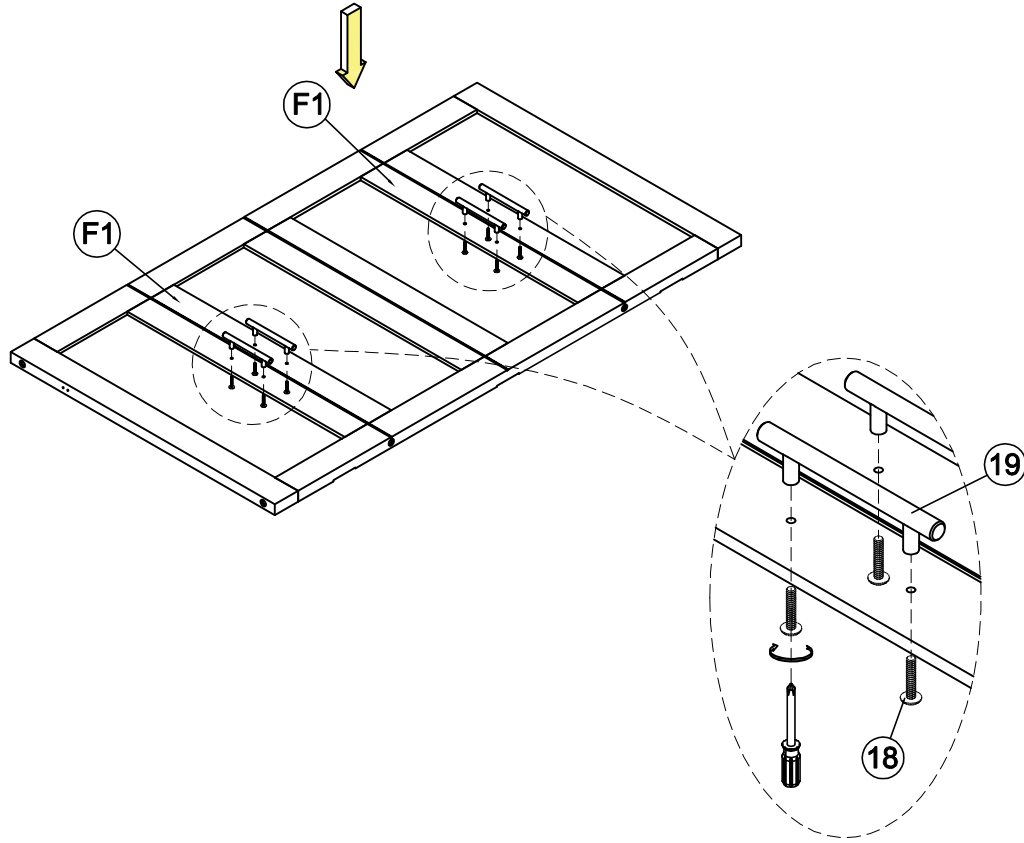


STEP 13

15
Hexagonal bolts catch wood
Ø1/4" * 90 - 4pcs



STEP 14

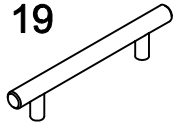


18



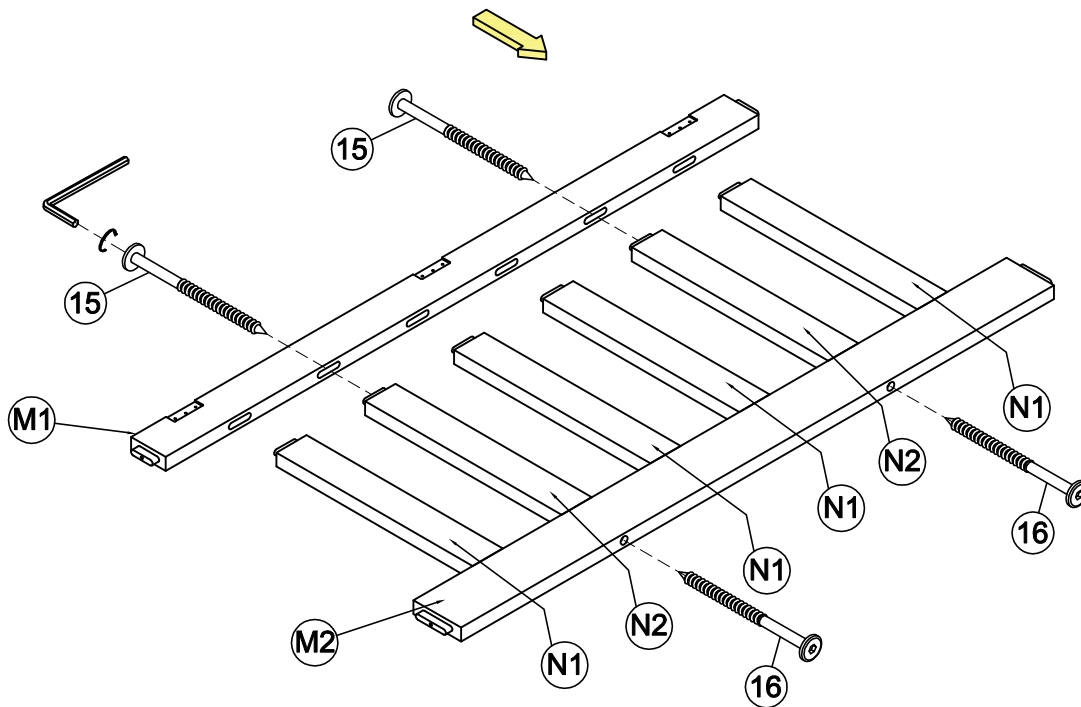
Round crews
Ø5/32" * 25 - 8pcs

19



Handle - 4pcs

STEP 15



15



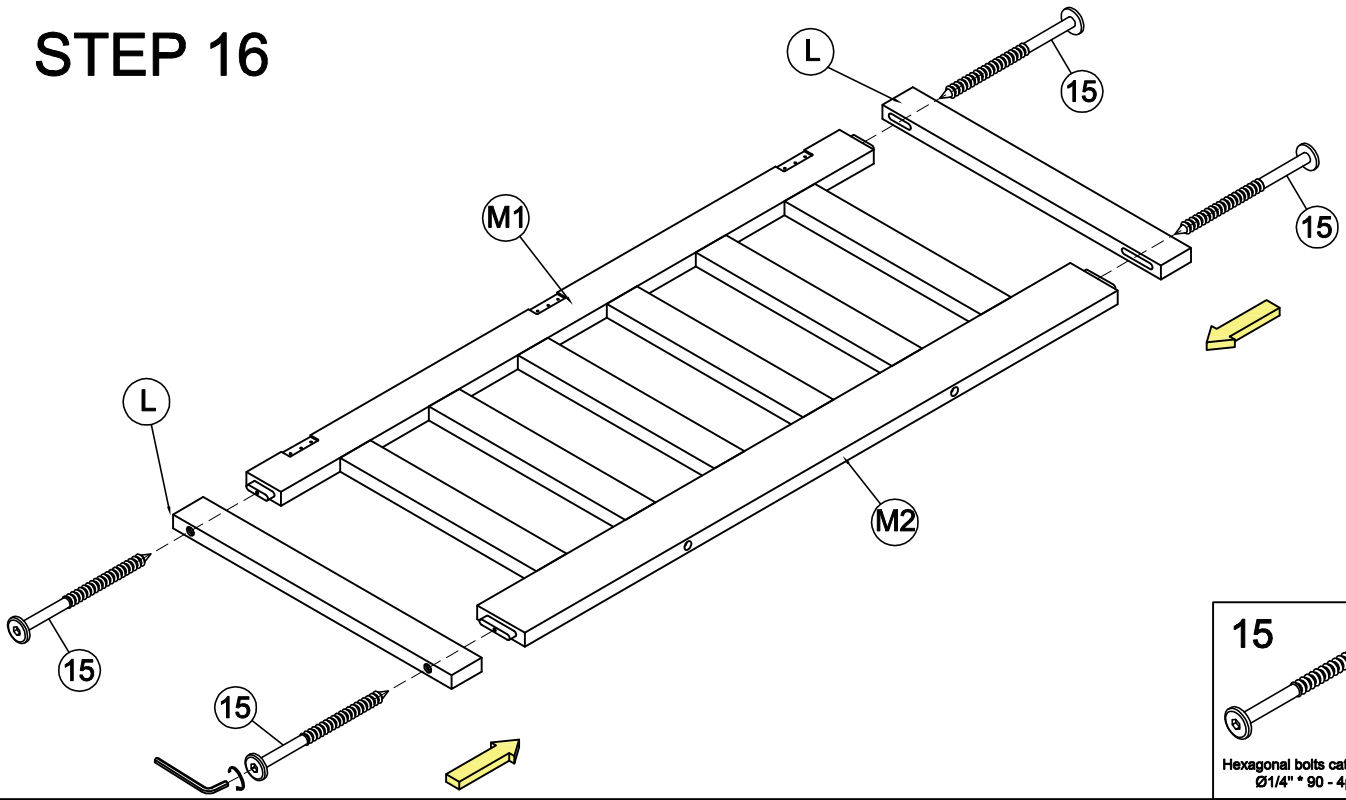
Hexagonal bolts catch wood
Ø1/4" * 90 - 2pcs

16



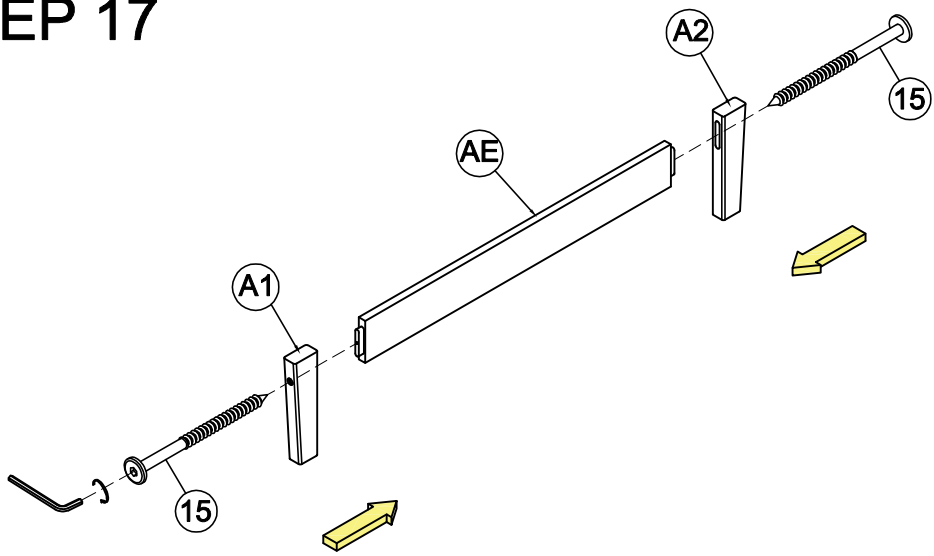
Hexagonal bolts catch wood
Ø1/4" * 120 - 2pcs

STEP 16



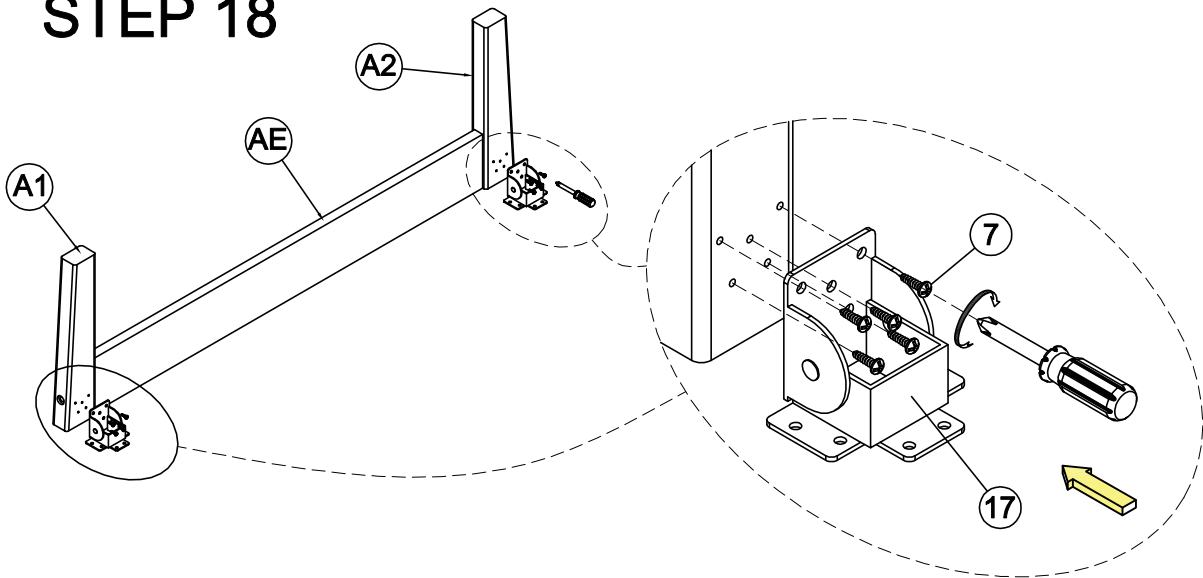
15
Hexagonal bolts catch wood
Ø1/4" * 90 - 4pcs

STEP 17



15
Hexagonal bolts catch wood
Ø1/4" * 90 - 2pcs

STEP 18



7
Round wood crews
M3.5 * 20 - 10pcs

17
Folded part - 2pcs

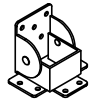
STEP 19

7

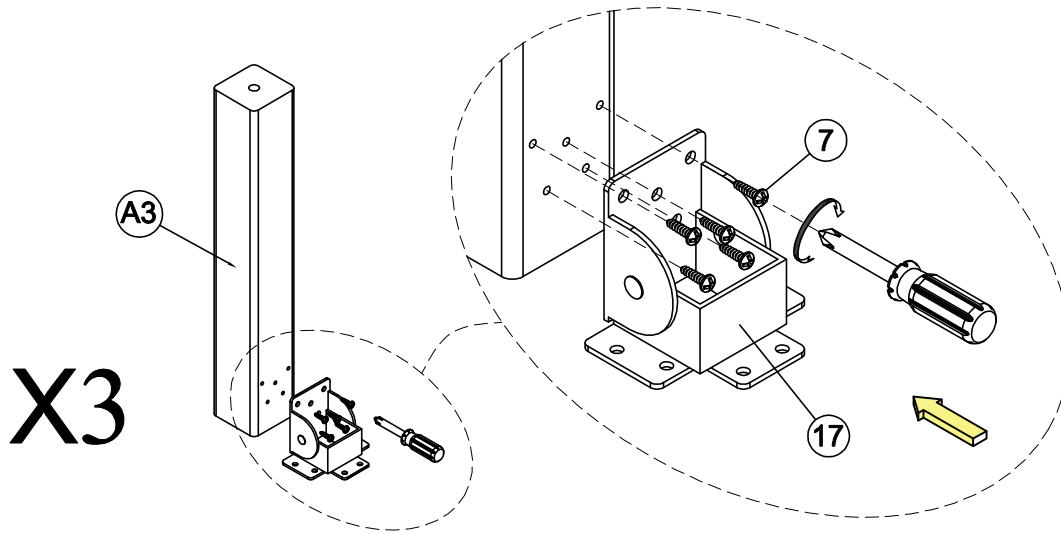


Round wood crews
M3.5 * 20 - 15pcs

17



Folded part - 3pcs

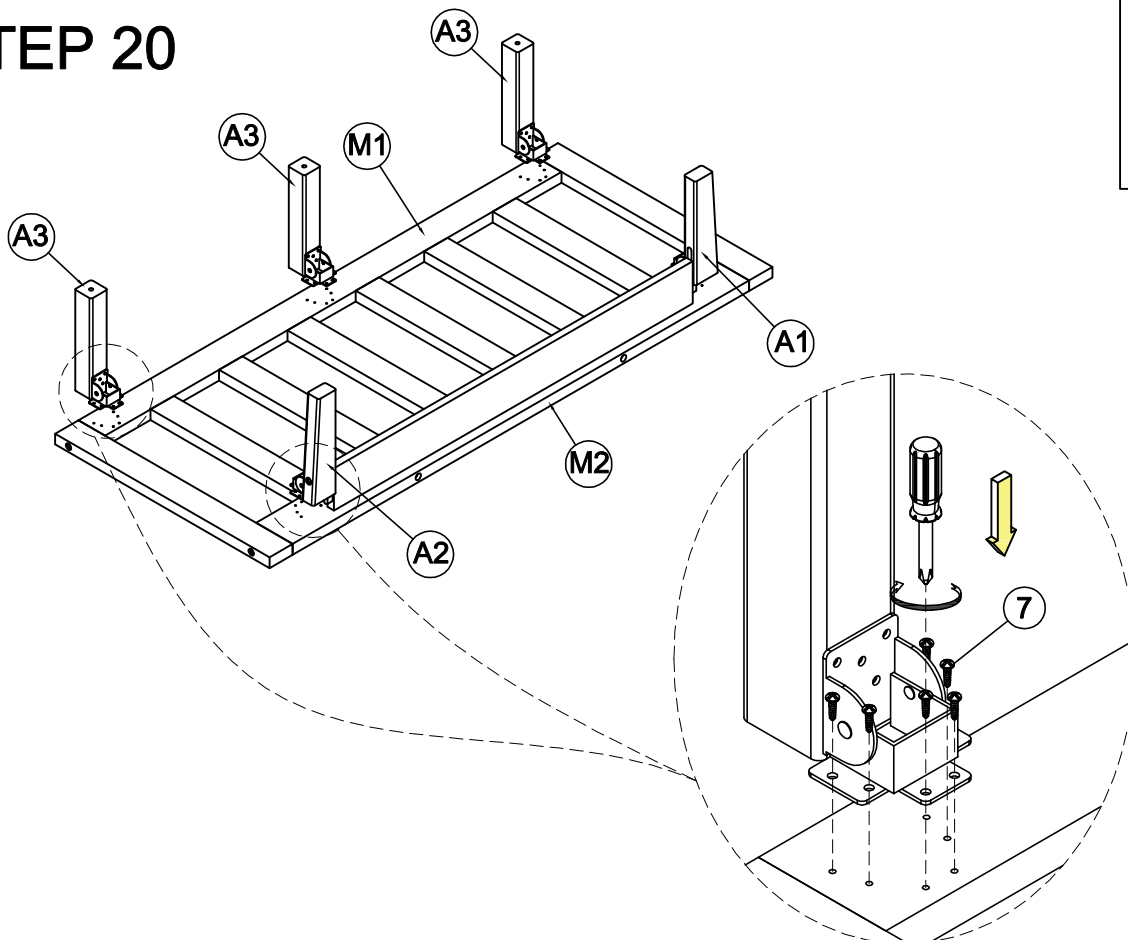


STEP 20

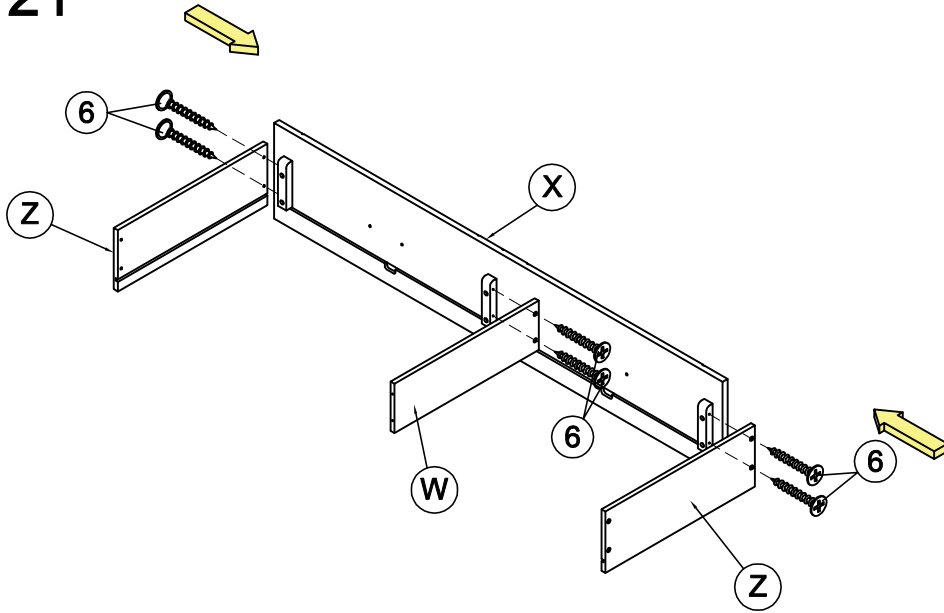
7



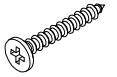
Round wood crews
M3.5 * 20 - 30pcs



STEP 21

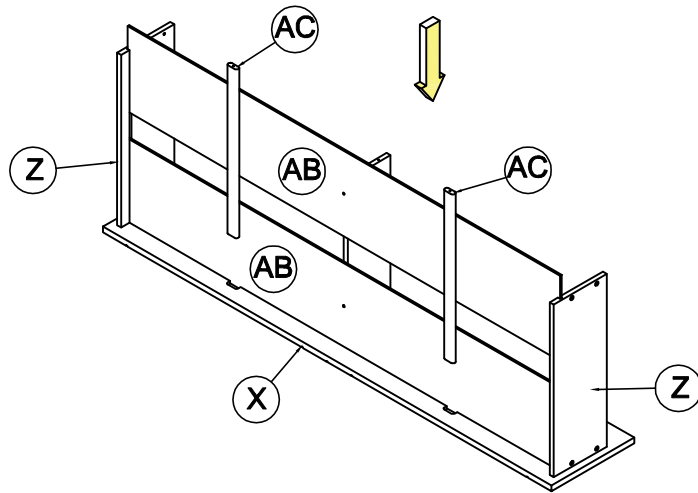


6

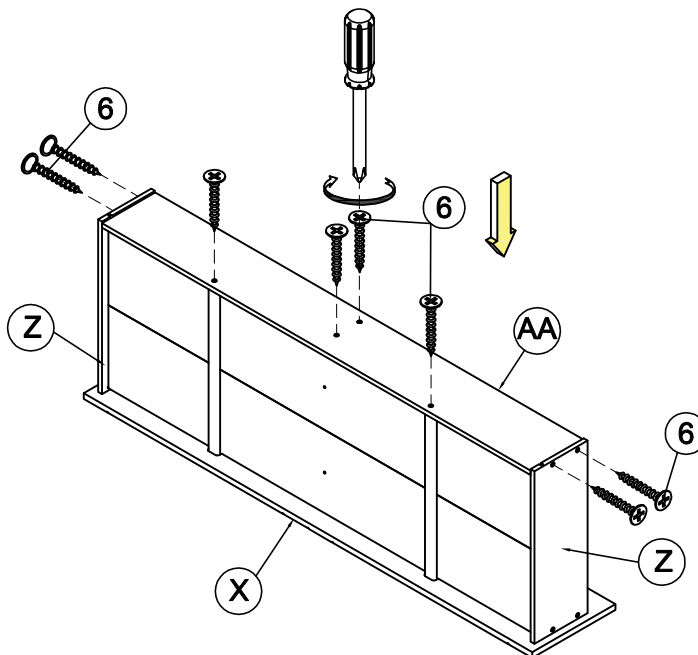


Wood screws
M4 * 25 - 6pcs

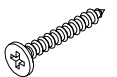
STEP 22



STEP 23



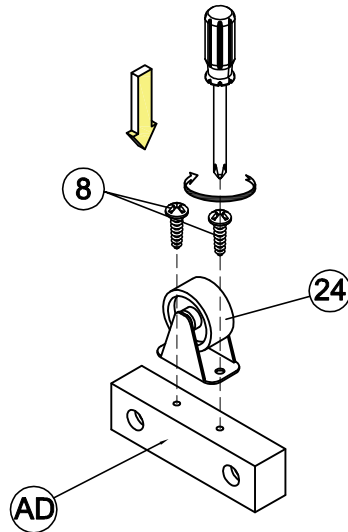
6



Wood screws
M4 * 25 - 8pcs

STEP 24

X4



8



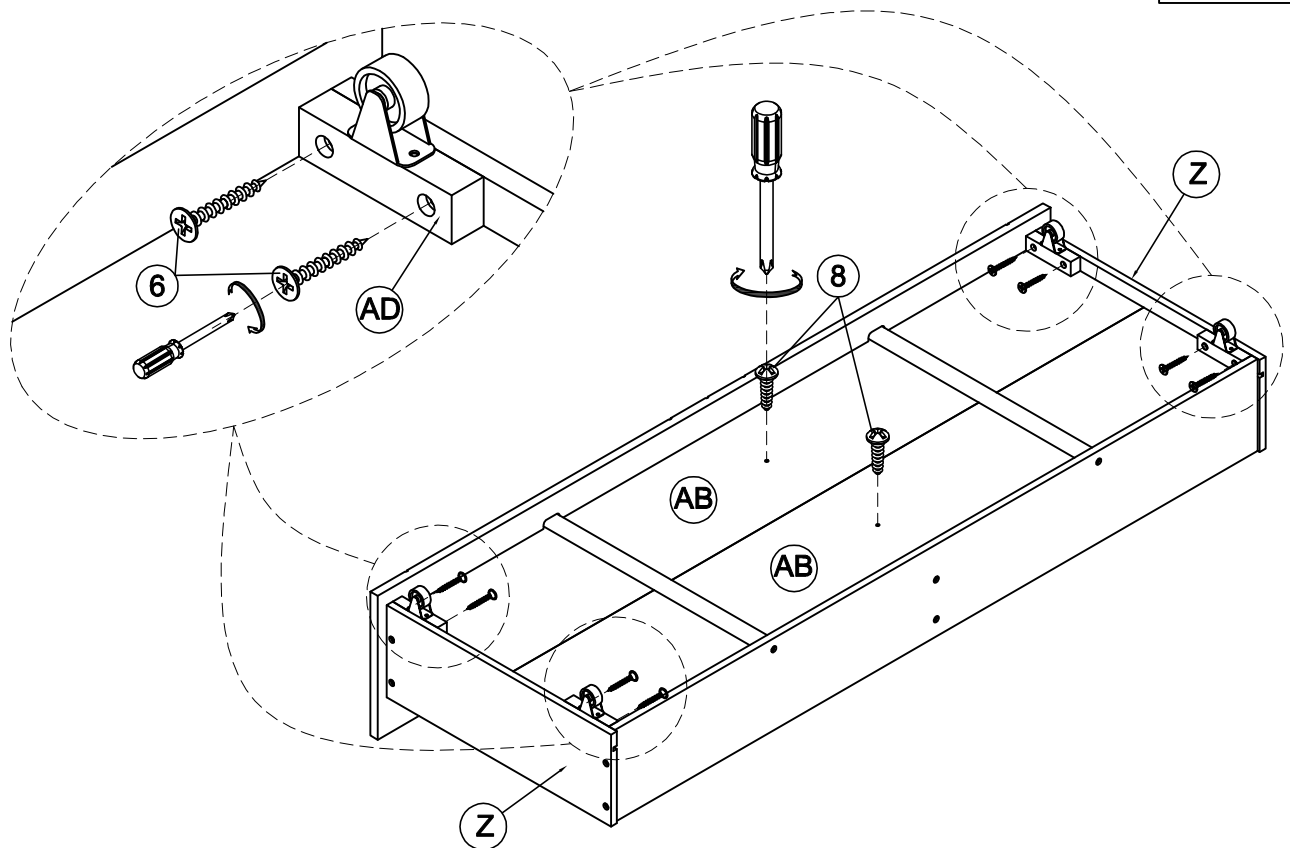
Round wood crews
M3.5 * 15 - 8pcs

24

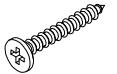


Wheel
4pcs

STEP 25



6



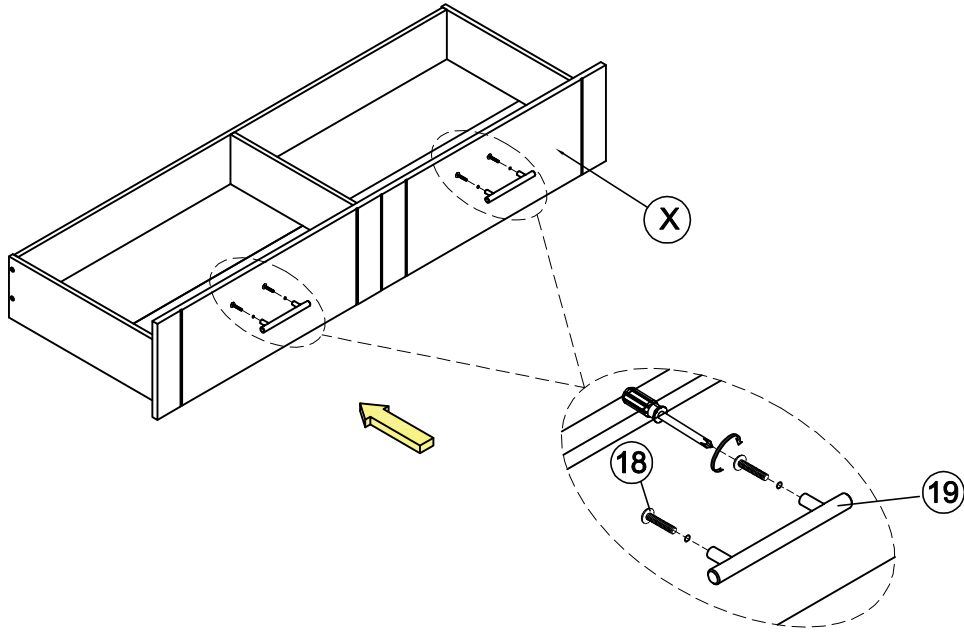
Wood crews
M4 * 25 - 8pcs

8



Round wood crews
M3.5 * 15 - 2pcs

STEP 26

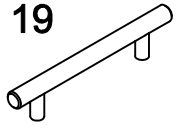


18



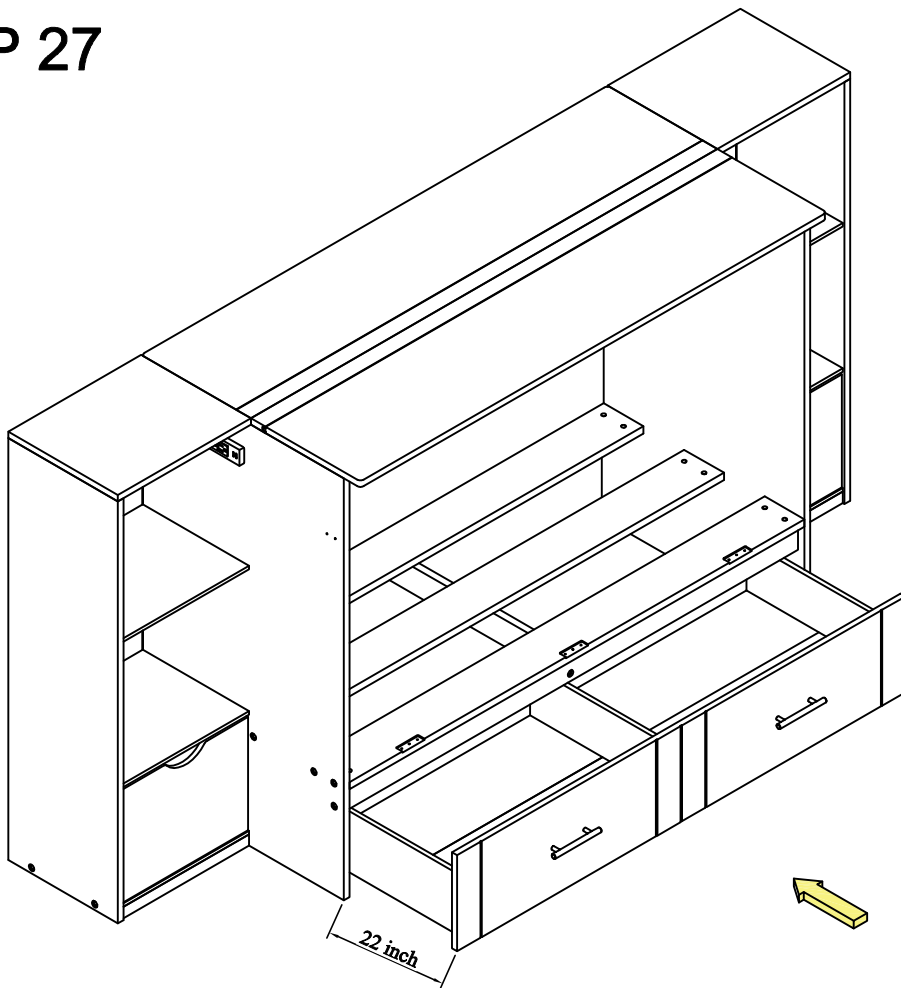
Round crews
Ø5/32" * 25 - 4pcs

19



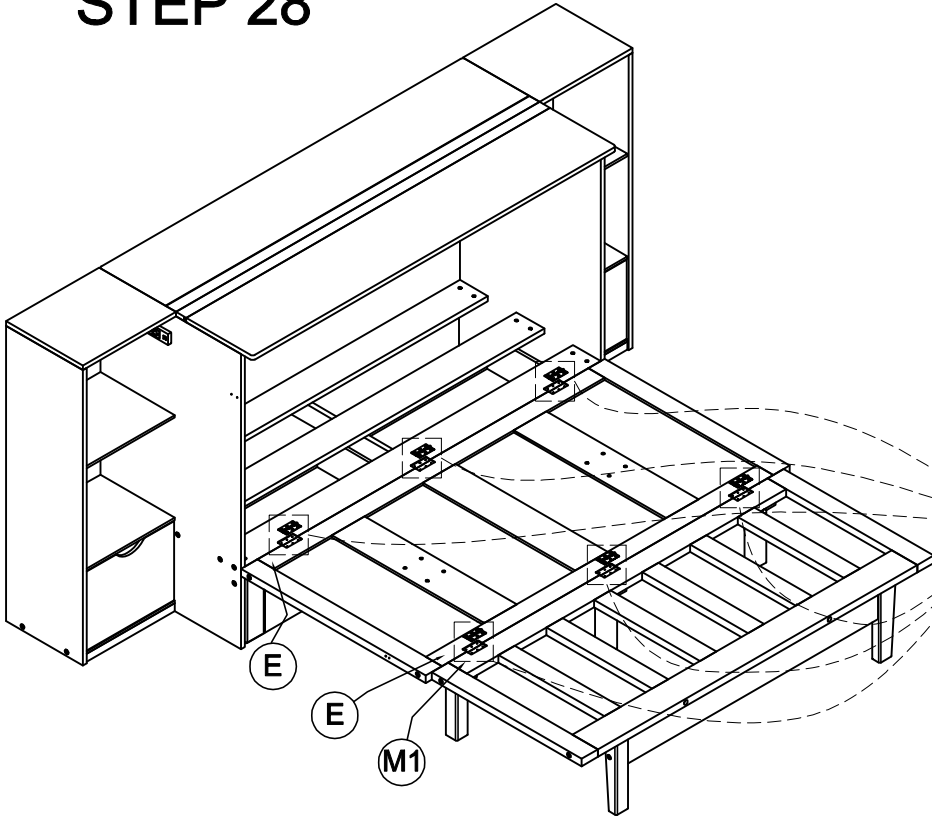
Handle - 2pcs

STEP 27

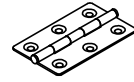


Push the pull - in drawer 22 inches from the hip edge

STEP 28



21

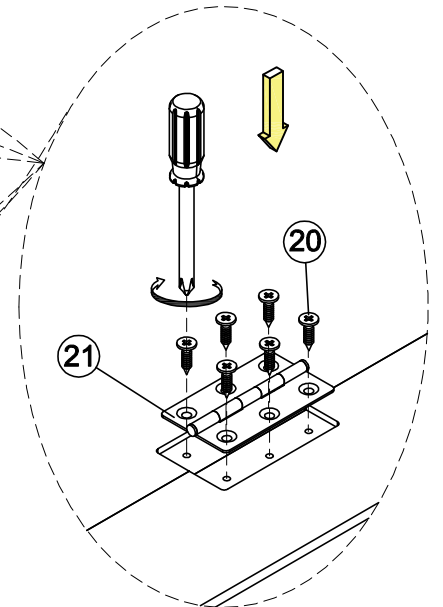


Hinge - 6pcs

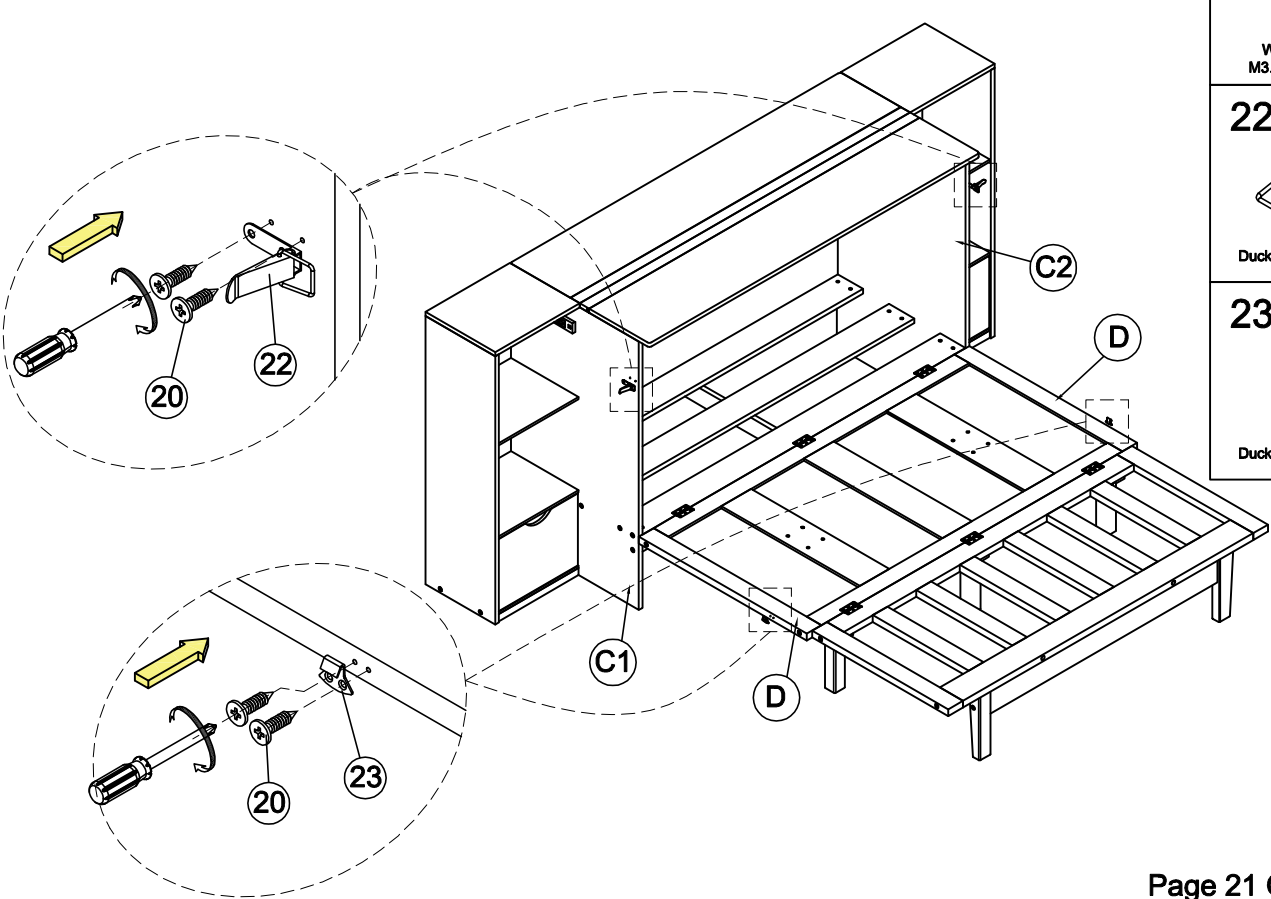
20



Wood crews
M3.5 * 15 - 36pcs



STEP 29

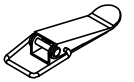


20



Wood crews
M3.5 * 15 - 8pcs

22



Duckbill lock A - 2pcs

23



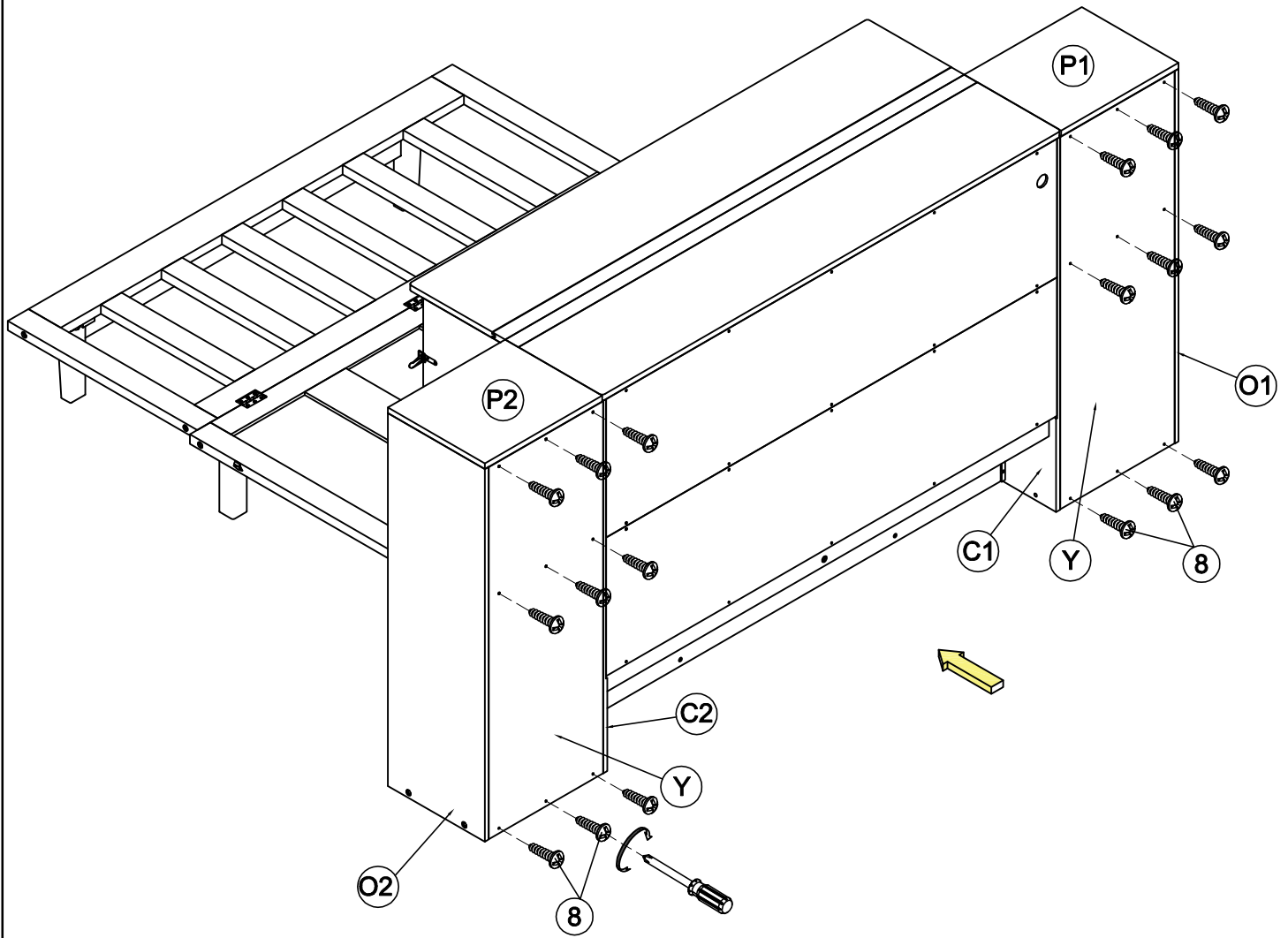
Duckbill lock B - 2pcs

STEP 30

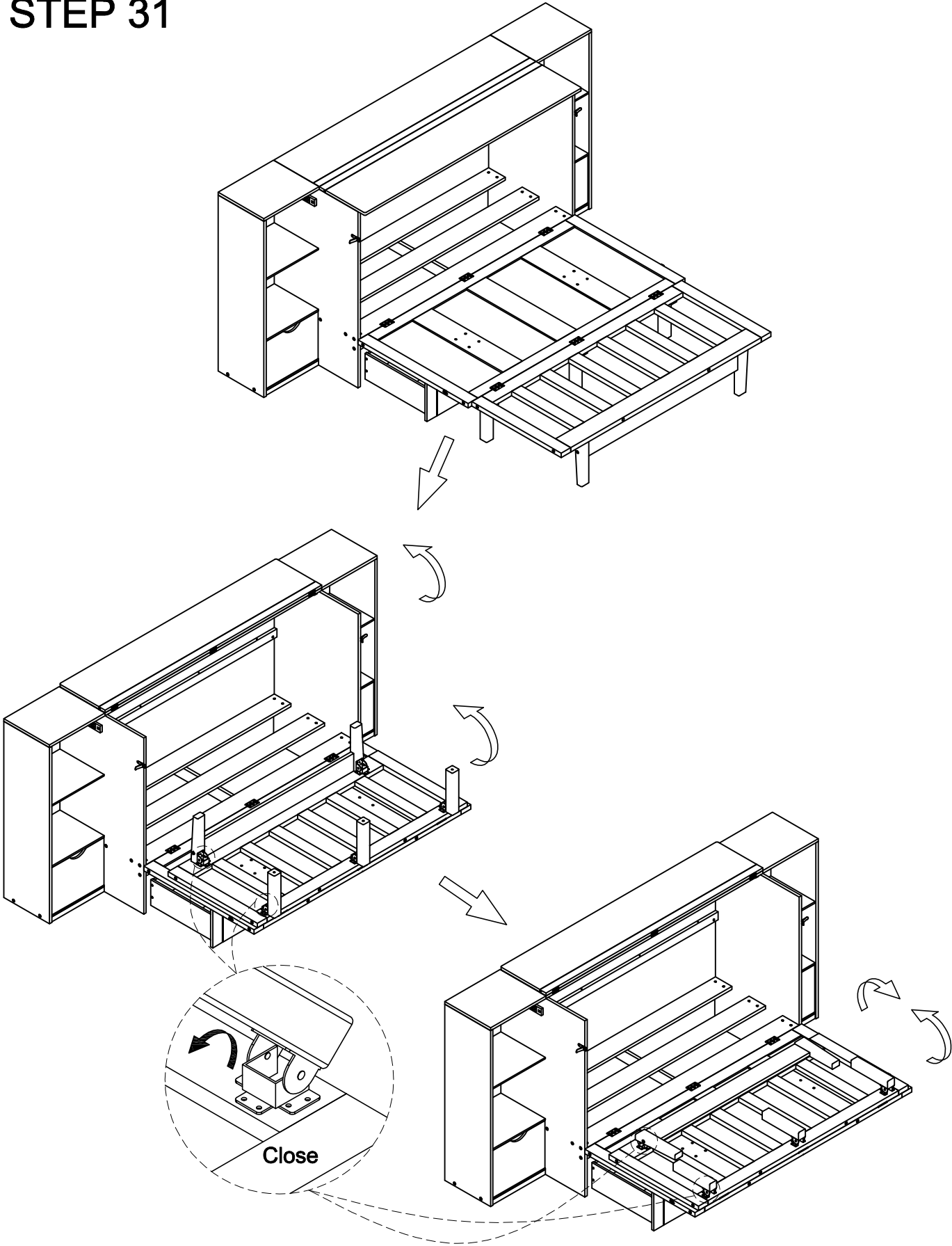
8



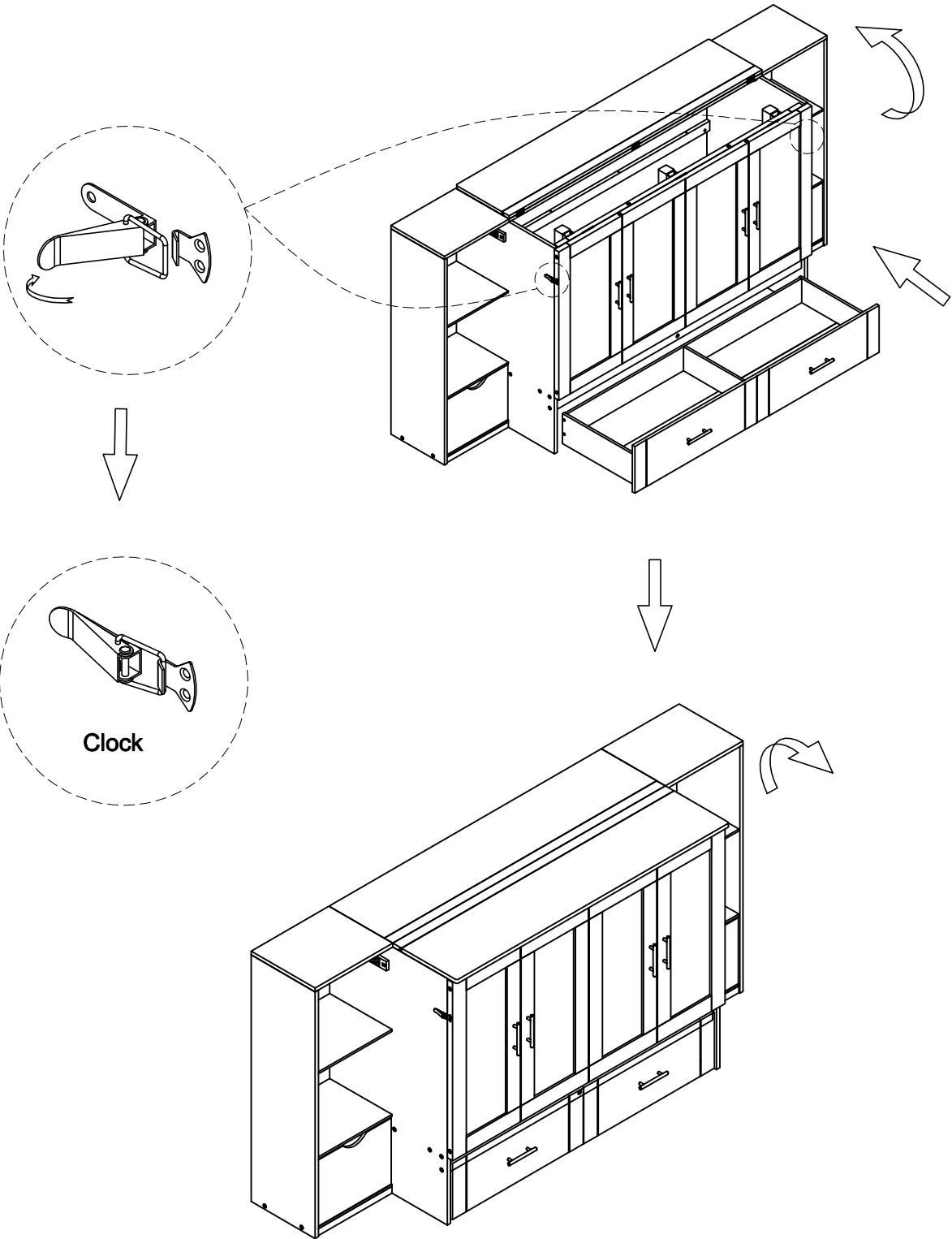
Round wood screws
M3.5 * 15 - 18pcs



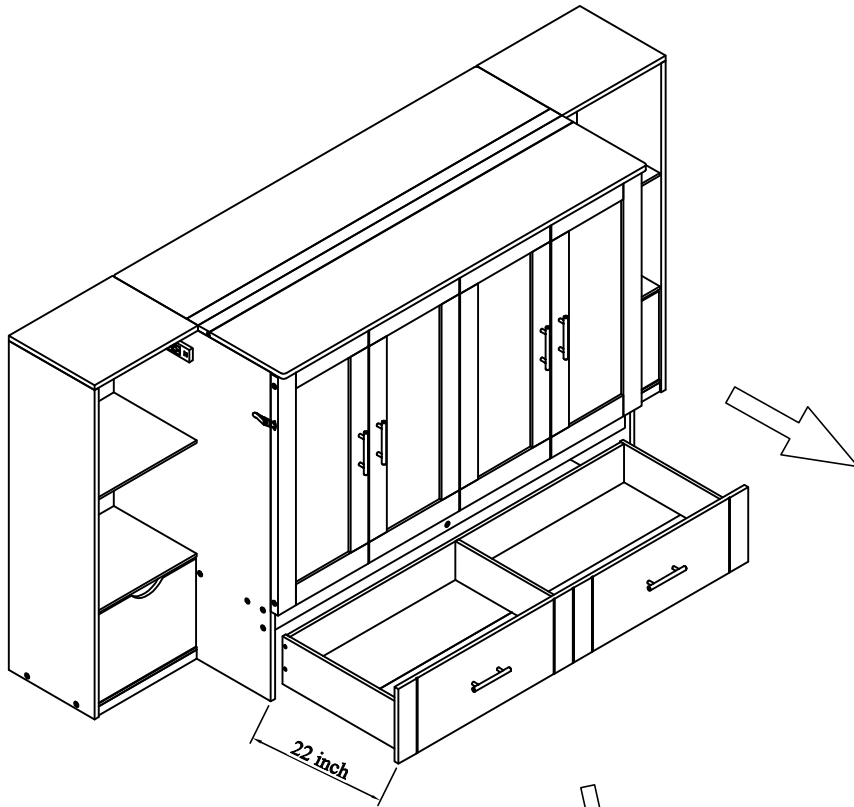
STEP 31



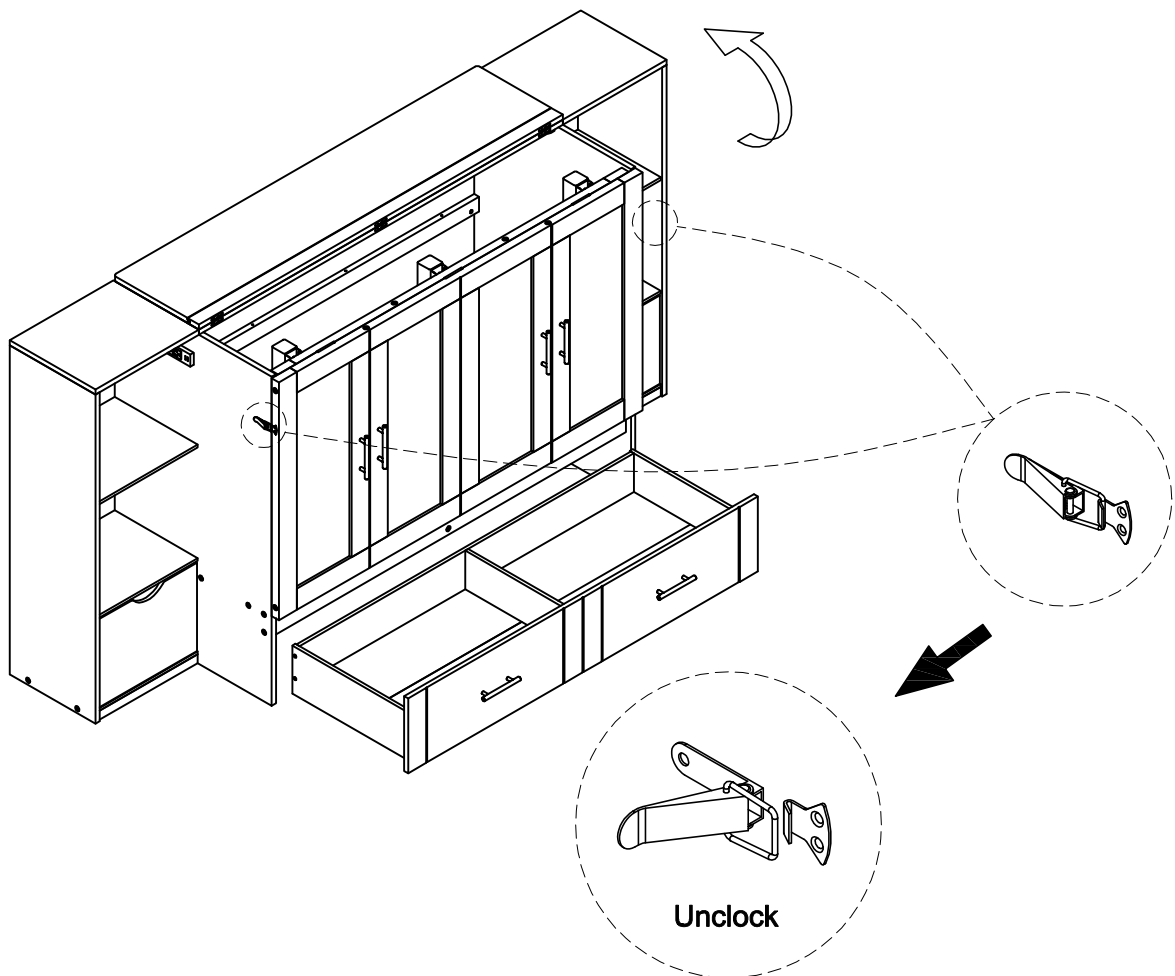
STEP 32



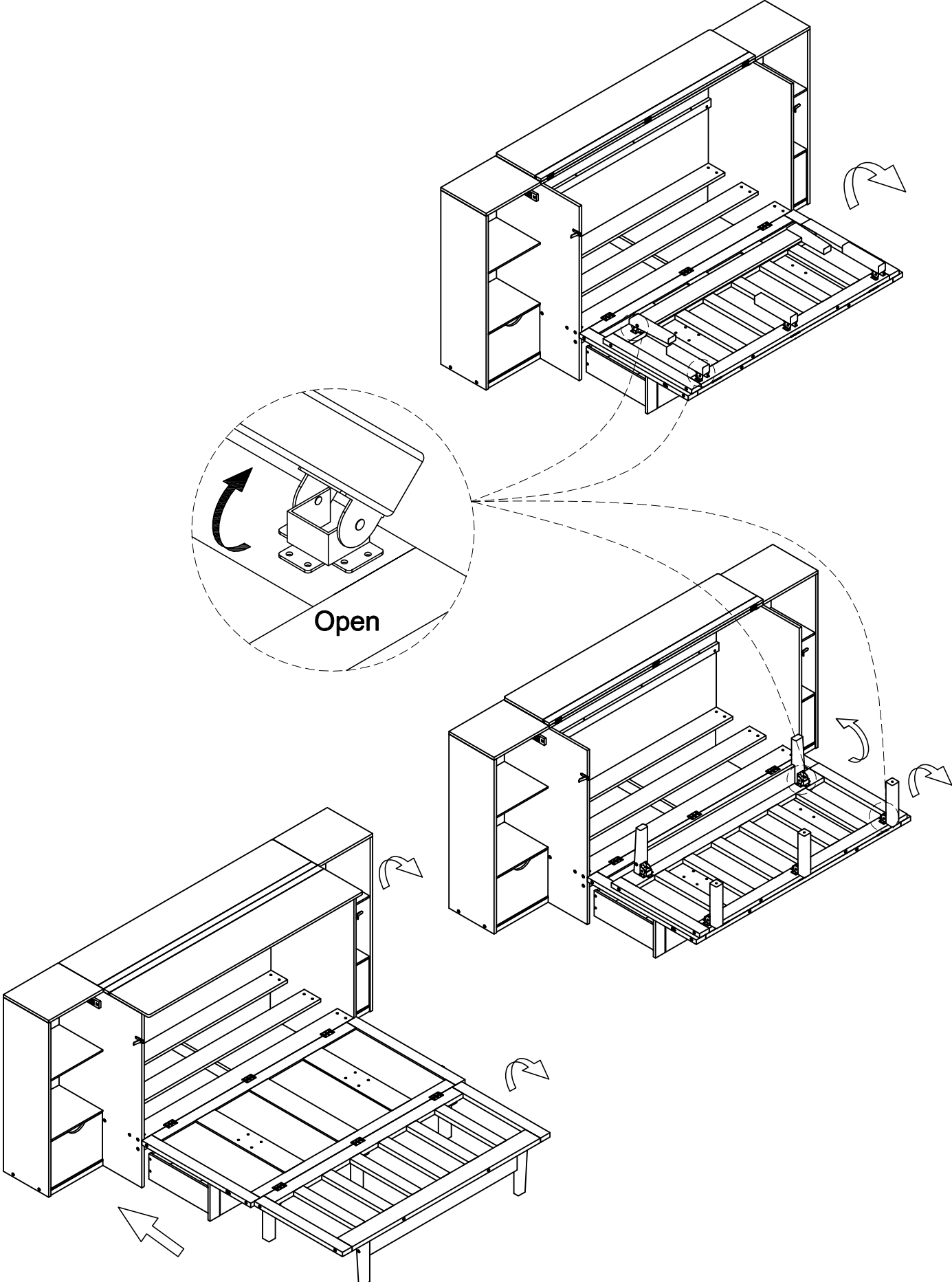
STEP 33



Pull the drawer in 22 inches from the hip edge before opening the bed



STEP 34



COMPLETED

