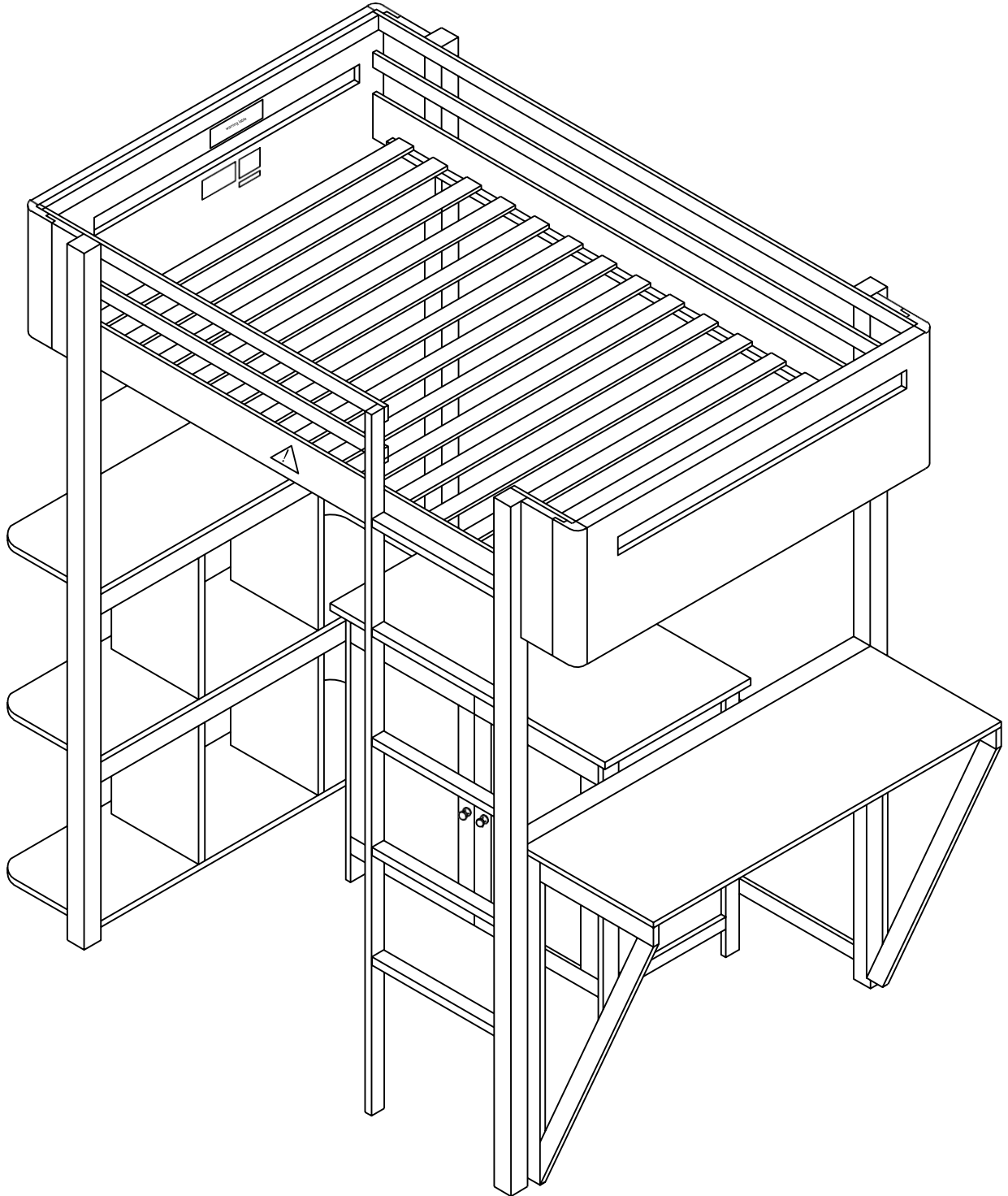


ASSEMBLY INSTRUCTIONS

TWIN LOFT BED+SHELF+CLOSET+FOLDING TABLE



WF315604 / WF315605

BUNK BED - WF315604 , WF315605



SAFETY WARNING



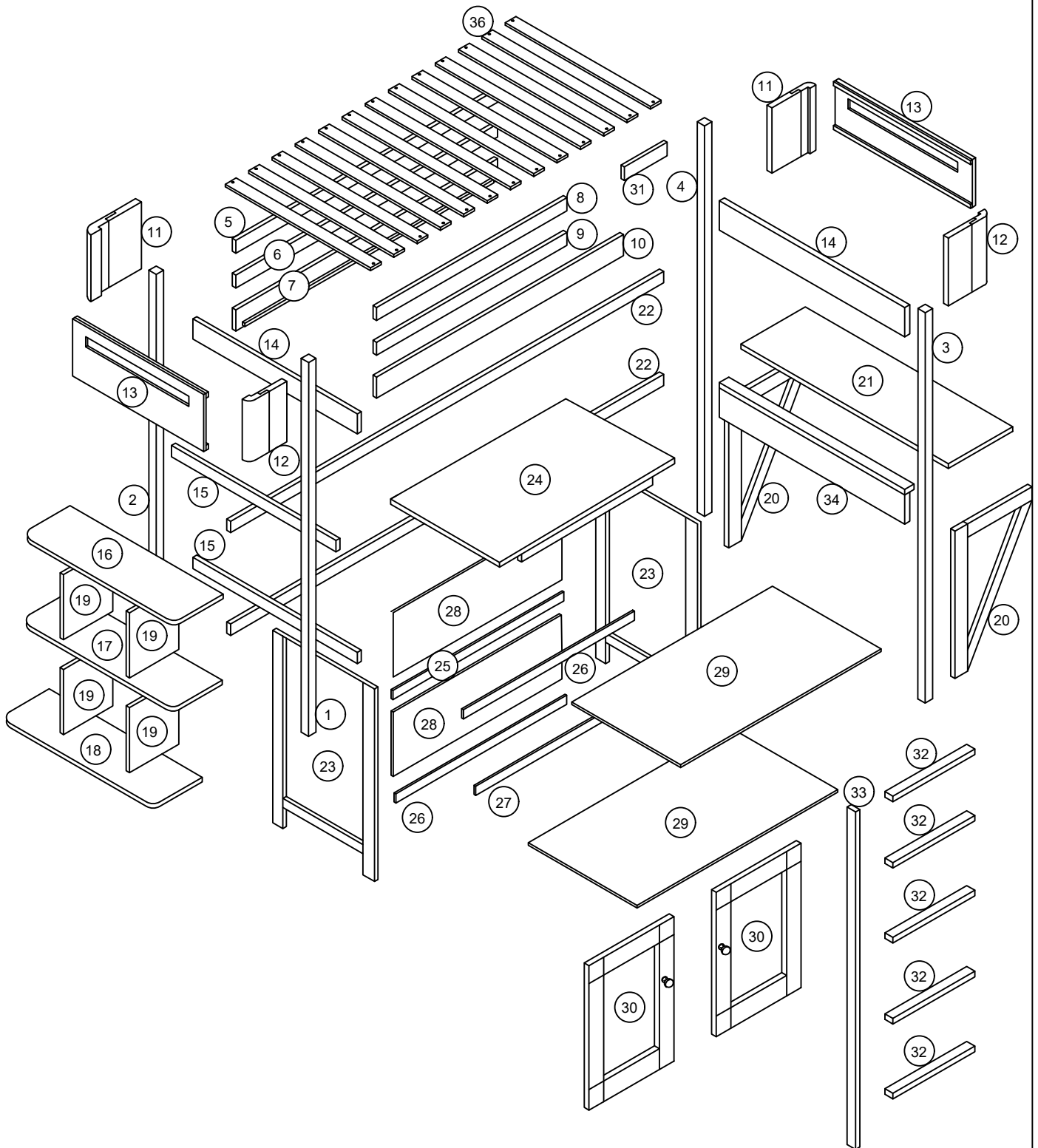
1. This bed is designed for use only mattress (es) meeting the following specifications on the upper bunk, and lower bunk:

Upper bunk (Bunk bed and tribed included)

Bed type	Length	Width	Thickness
Twin Standard	74"-75"	37 1/2"-38 1/2"	6"

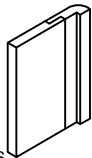
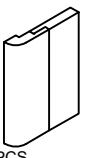
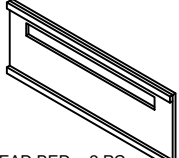
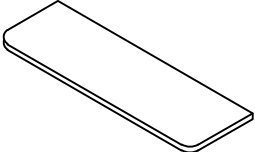
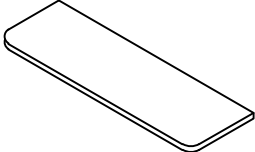
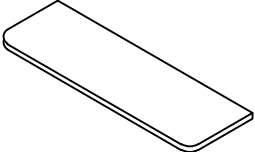
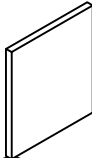

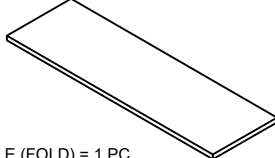
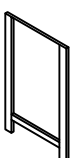
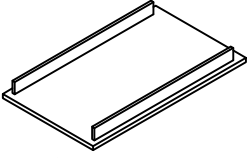


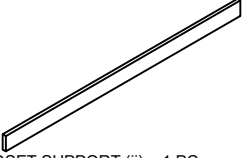
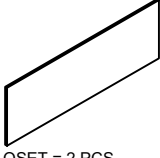
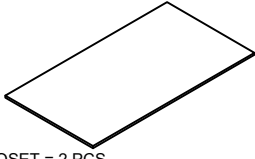
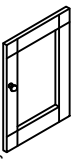
2. Replacement parts, including additional guardrails, maybe obtained from any of our (GIGACLOUD TECHNOLOGY (USA) INC . 18961 ARENTH AVENUE, CITY OF INDUSTRY , CA, 91748.) dealers
3. Follow the information on the warnings appearing on the upper bunk bed end structure and on the carton. Do not remove warning label from bed.
4. Always use the recommended size mattresses or mattress supports, or both, to help prevent the likelihood of entrapment or falls.
5. Surface of mattress must be at least 5" (127mm) below the upper edge of guardrails.
6. Do not allow children under 6 years of age to use the upper bunk.
7. Periodically check and ensure that the guardrail, ladder, and other components are in their proper position, free from damage, and that all connectors are tight.
8. Do not allow horseplay on or under the bed and prohibit jumping on the bed.
9. Always use the ladder for entering and leaving the upper bunk.
10. Do not use substitute part. Contact the manufacture or dealer for replacement part.
11. Use of a night light may provide added safety precaution for a child using the upper bunk.
12. Always use guardrails on both long sides of the upper bunk. If the bunk bed will be placed next to the wall, the guardrail that runs the full length of the bed should be placed against the wall to prevent entrapment between the bed and wall.
13. The use of water or sleep flotation mattresses is prohibited.
14. STRANGULATION HAZARD - Never attach or hang items to any part of the bunk bed that are not designed for use with the bed; for example, but not limited to, hook, belts and jump ropes.
15. Keep these instruction for future reference.
16. Prohibit more than one person on upper bunk
17. We recommend assembling your bunk bed on the shipping carton to protect your floor or carpet
18. Be certain all staples are out of the box before beginning assembly on the shipping carton

ASSEMBLY INSTRUCTIONS





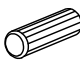




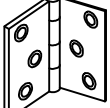
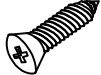

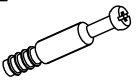


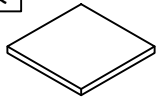
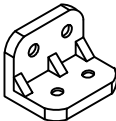
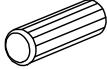

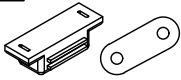


BUNK BED - WF315604 , WF315605

Part List - BOX 1 (WF315604)

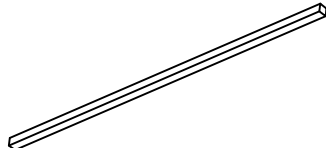
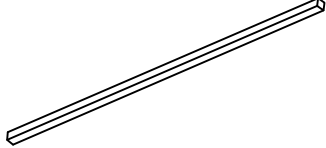
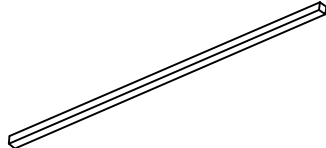
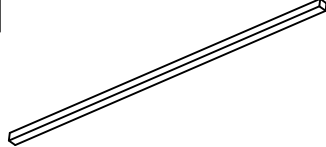
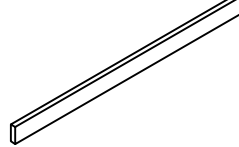
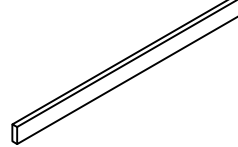
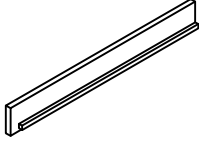
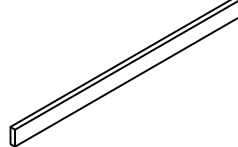
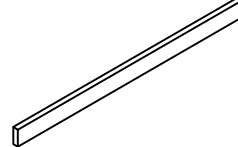
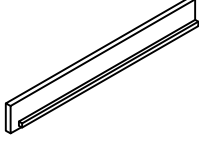
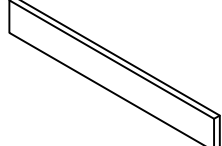
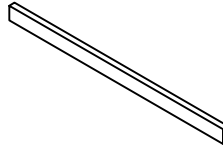

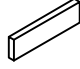
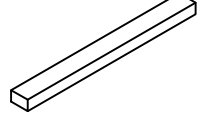
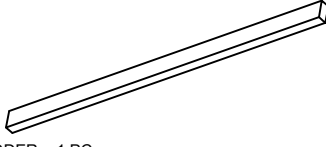
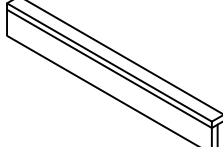
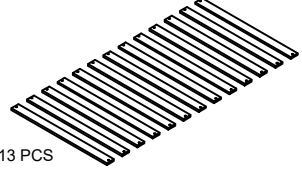
<p>11</p>  <p>LEFT PROFILE = 2 PCS</p>	<p>12</p>  <p>RIGHT PROFILE = 2 PCS</p>	<p>13</p>  <p>FRONT/BACK HEAD BED = 2 PC</p>
<p>16</p>  <p>HORIZONTAL SHELF TOP = 1 PC</p>	<p>17</p>  <p>HORIZONTAL SHELF MIDDLE = 1 PC</p>	<p>18</p>  <p>HORIZONTAL SHELF BOTTOM = 1 PC</p>
<p>19</p>  <p>VERTICAL SHELF = 4 PCS</p>	<p>20</p>  <p>TABLE LEG SUPPORT (FOLD) = 2 PCS</p>	<p>21</p>  <p>TOP TABLE (FOLD) = 1 PC</p>
<p>23</p>  <p>SIDE CLOSET = 2 PCS</p>	<p>24</p>  <p>TOP CLOSET = 1 PC</p>	<p>25</p>  <p>BACK PANEL CENTRE CLOSET SUPPORT (ii) = 1 PC</p>
<p>26</p>  <p>FRONT/BACK PANEL TOP CLOSET SUPPORT = 2 PCS</p>	<p>27</p>  <p>HORIZONTAL CLOSET SUPPORT (ii) = 1 PC</p>	<p>28</p>  <p>BACK PANEL CLOSET = 2 PCS</p>
<p>29</p>  <p>SHELF CLOSET = 2 PCS</p>	<p>30</p>  <p>DOOR CLOSET = 2 PCS</p>	

Hardware List - BOX 2

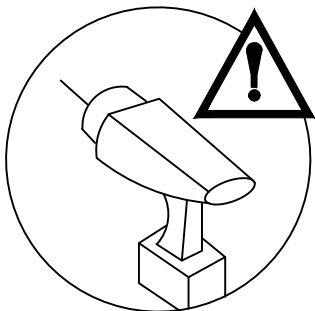
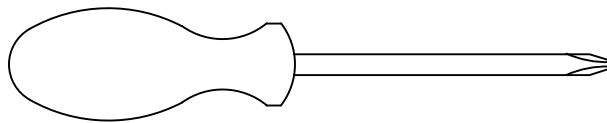
<p>A</p>  <p>JCBC BOLT M6 x 90mm 22 pcs</p>	<p>B</p>  <p>JCBC BOLT M6 x 55mm 42 pcs</p>	<p>C</p>  <p>JCBC BOLT M6 x 25mm 8 pcs</p>	<p>D</p>  <p>BARREL NUT M6 x 13mm 54 pcs</p>	<p>E</p>  <p>WOOD DOWEL M8 x 30mm 50 pcs</p>	<p>F</p>  <p>PAN HEAD SCREW M4 x 25mm 28 pcs</p>
<p>G</p>  <p>MINIFIX 24 pcs</p>	<p>H</p>  <p>NAIL PIN 8 pcs</p>	<p>I</p>  <p>DOOR KNOB 2 PCS</p>	<p>J</p>  <p>BUTTERFLY HINGES 11 PCS</p>	<p>K</p>  <p>CSK SCREW M3.5 x 16mm 74 PCS</p>	<p>L</p>  <p>JCBC BOLT M6 x 30mm 8 pcs</p>
<p>M</p>  <p>CAM SCREW 24 pcs</p>	<p>O</p>  <p>TRUSS HEAD SCREW M4 X 25mm 2 pcs</p>	<p>P</p>  <p>ALLEN KEY 1 pc</p>	<p>Q</p>  <p>BLOCK FOR SLAT ASSEMBLY 80MM X 80MM X6MM - 1PC</p>	<p>R</p>  <p>L-BRACKET 2 pcs</p>	<p>S</p>  <p>WOOD DOWEL M10 x 40mm 6 pcs</p>
<p>T</p>  <p>JCBC BOLT M6 x 70mm 10 pcs</p>	<p>U</p>  <p>DOOR MAGNET WITH SCREW 2 sets</p>				

BUNK BED -WF315604 , WF315605

Part List - BOX 2(WF315605)

<p>1</p>  <p>POST i (R) = 1 PC</p>	<p>2</p>  <p>POST i (L) = 1 PC</p>	<p>3</p>  <p>POST ii (L) = 1 PC</p>
<p>4</p>  <p>POST ii (R) = 1 PC</p>	<p>5</p>  <p>BACK GUARD RAIL (i) = 1 PC</p>	<p>6</p>  <p>BACK GUARD RAIL (ii) = 1 PC</p>
<p>7</p>  <p>BACK SIDE RAIL = 1 PC</p>	<p>8</p>  <p>FRONT GUARD RAIL (i) = 1 PC</p>	<p>9</p>  <p>FRONT GUARD RAIL (ii) = 1 PC</p>
<p>10</p>  <p>FRONT SIDE RAIL = 1 PC</p>	<p>14</p>  <p>CENTRE SUPPORT (i) = 2 PCS</p>	<p>15</p>  <p>CENTRE SUPPORT (ii) = 2 PCS</p>
<p>22</p>  <p>BED BACK CLOSET (i) = 2 PCS</p>	<p>31</p>  <p>SHORT GUARD RAIL = 1 PC</p>	<p>32</p>  <p>STEP LADDER = 5 PCS</p>
<p>33</p>  <p>SIDE LADDER = 1 PC</p>	<p>34</p>  <p>FOLDING TABLE SUPPORT = 1 PC</p>	<p>35</p>  <p>LVL SLAT = 13 PCS</p>

ASSEMBLY TOOLS REQUIRED (NOT INCLUDED)

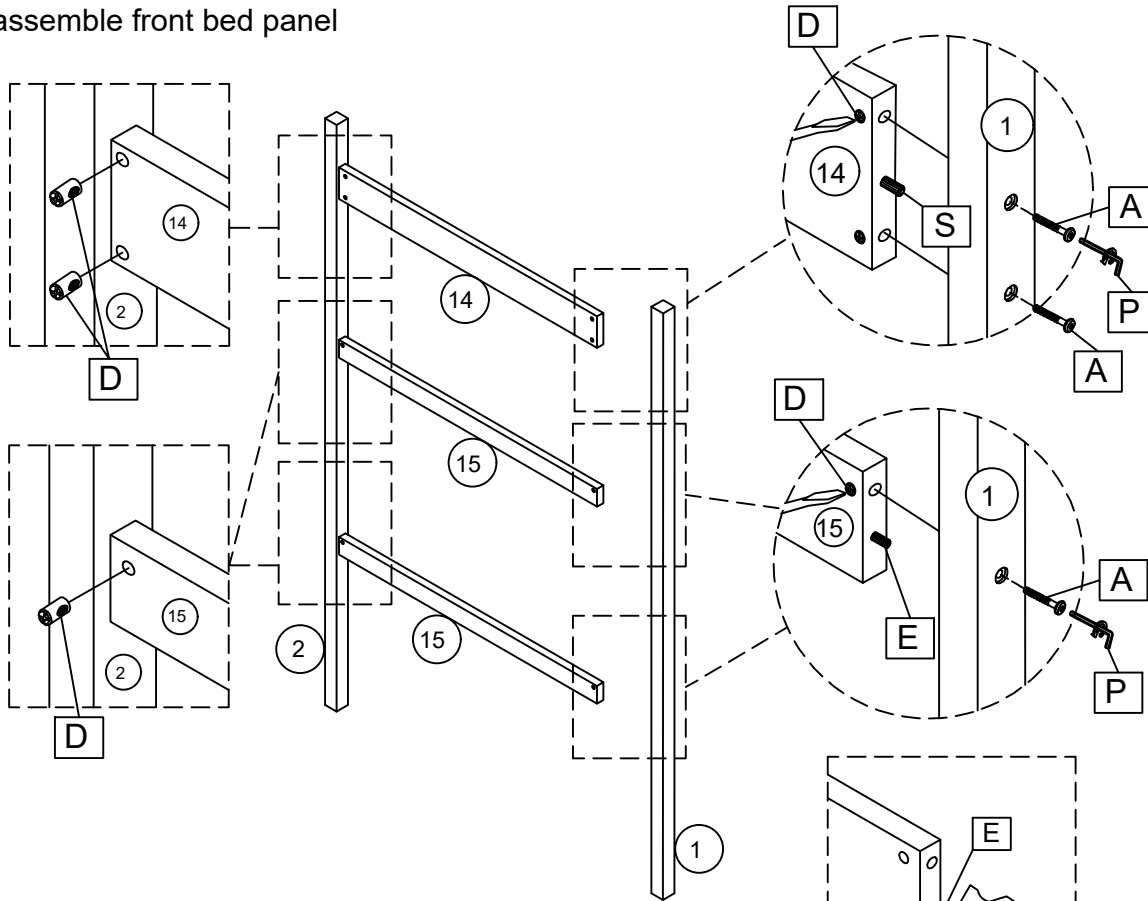


PLEASE BE CAREFULL DO NOT DAMAGE THE HOLE POSITION WHEN YOU USE POWER TOOLS !

BUNK BED - WF315604 , WF315605

STEP 1

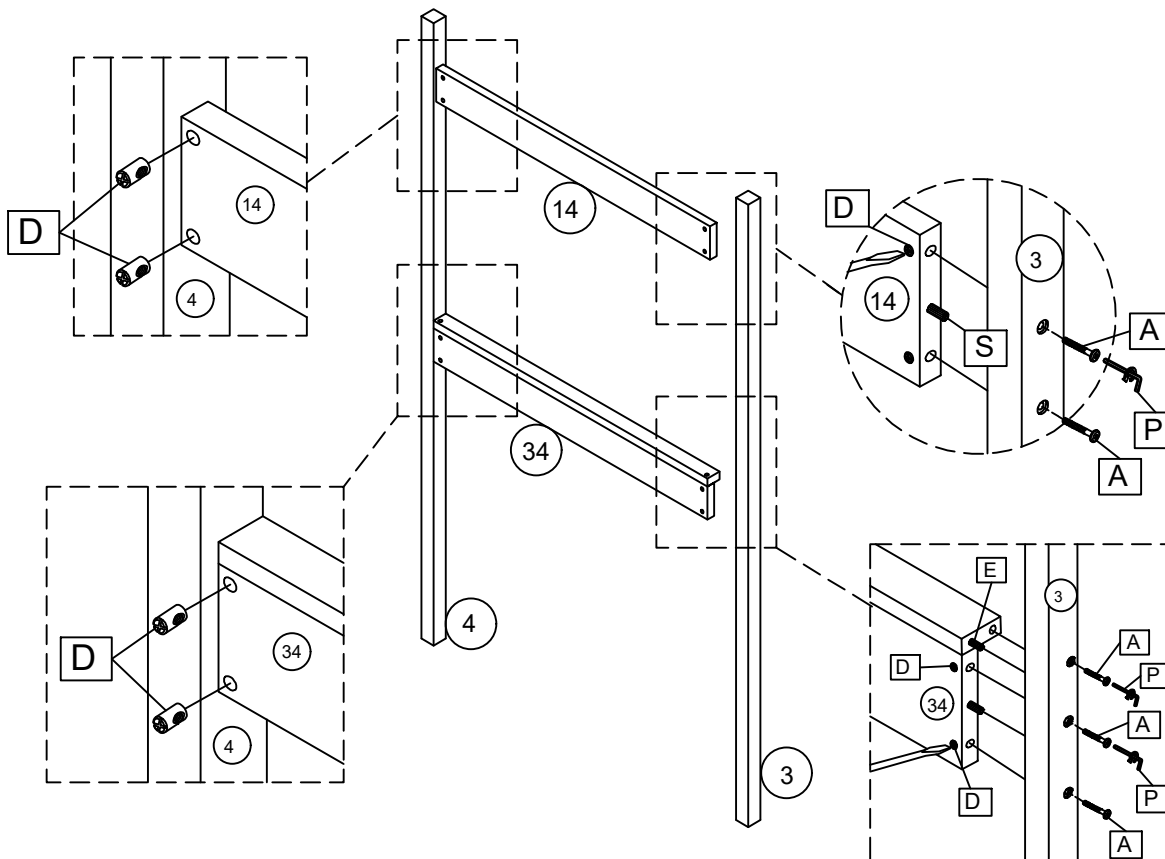
assemble front bed panel



A		8PCS
D		8PCS
E		4PCS
S		2PCS

STEP 2

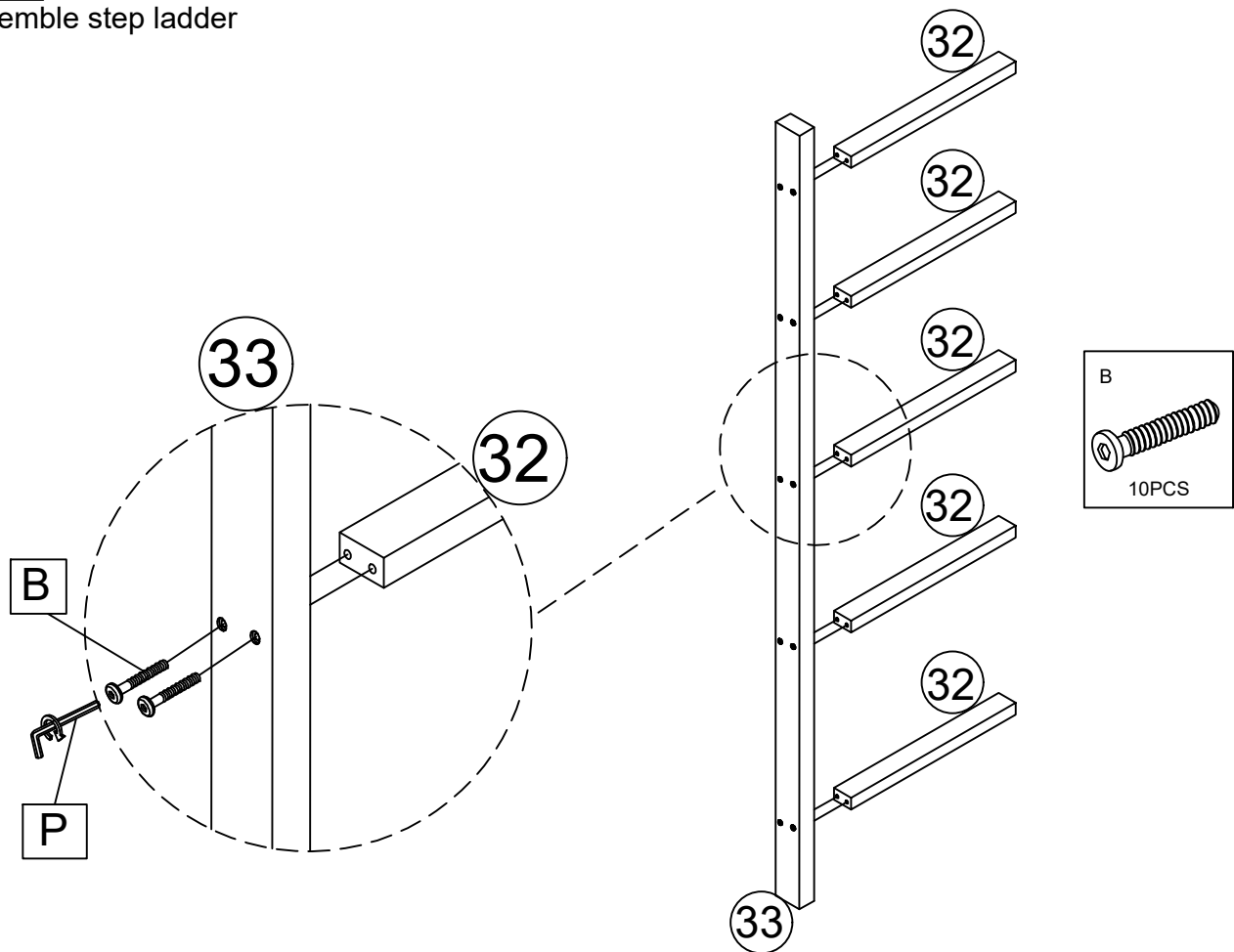
assemble back bed panel



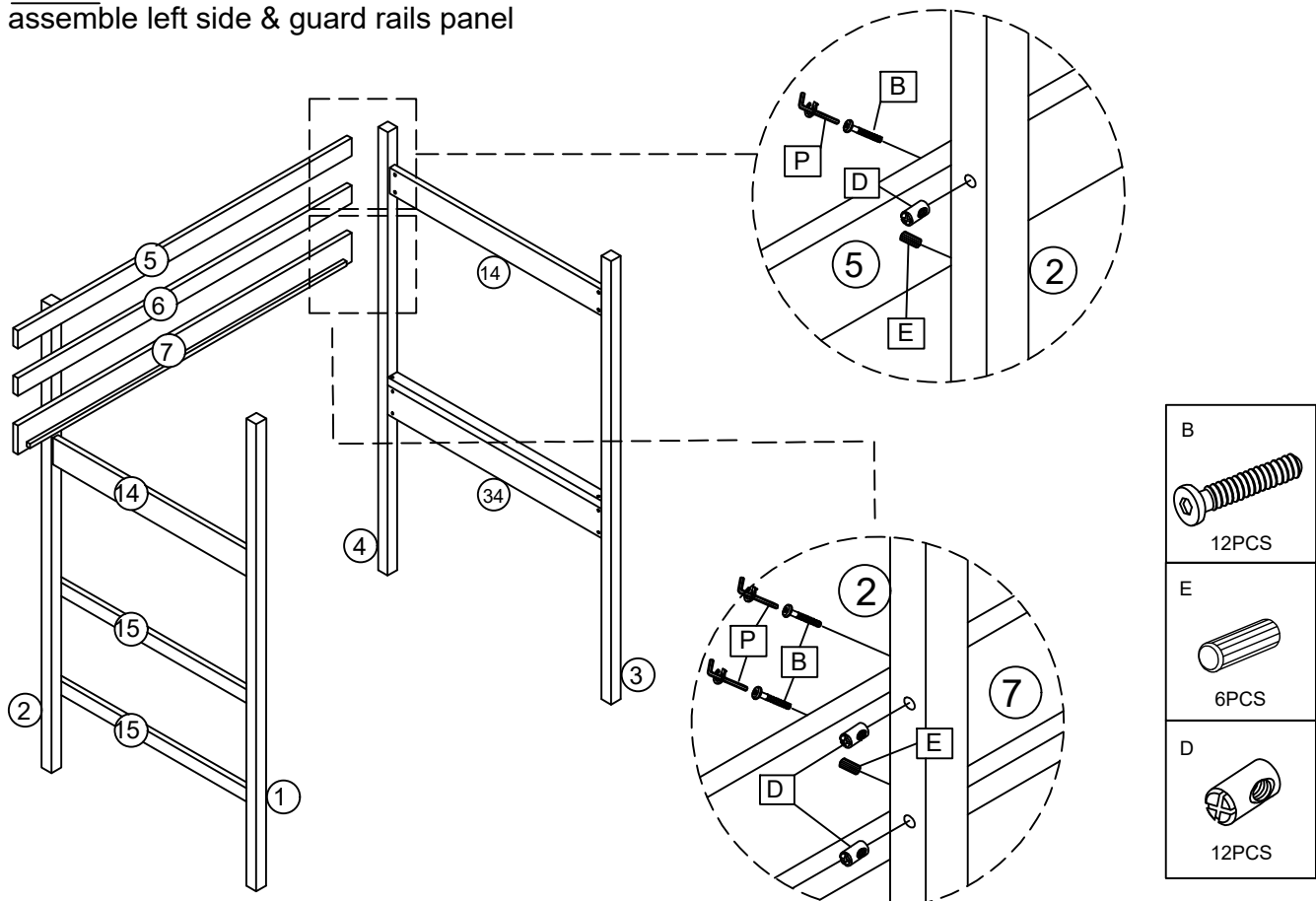
A		10PCS
D		10PCS
E		2PCS
S		4PCS

BUNK BED -WF315604 , WF315605

STEP 3
assemble step ladder



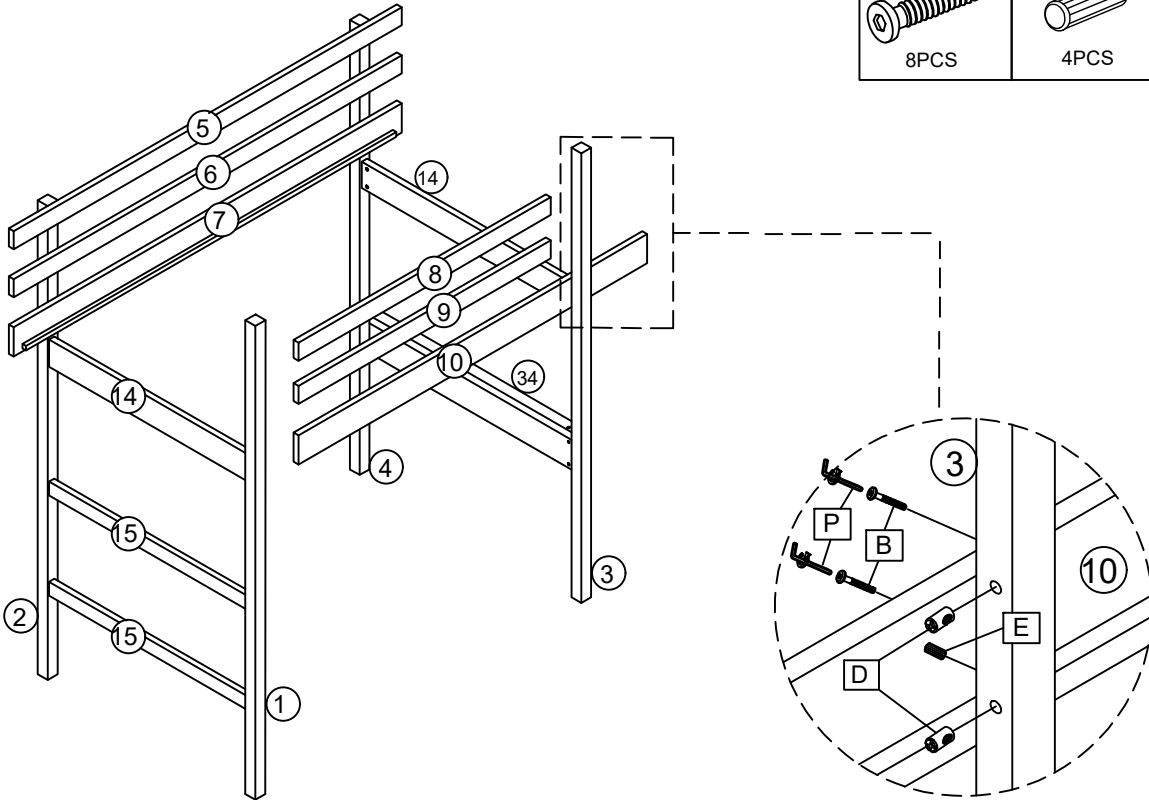
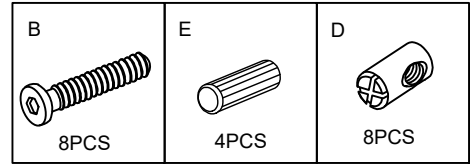
STEP 4
assemble left side & guard rails panel



BUNK BED - WF315604 , WF315605

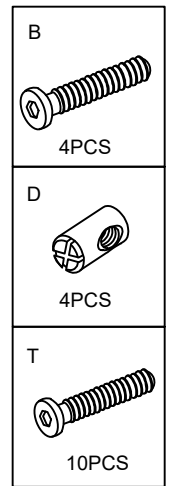
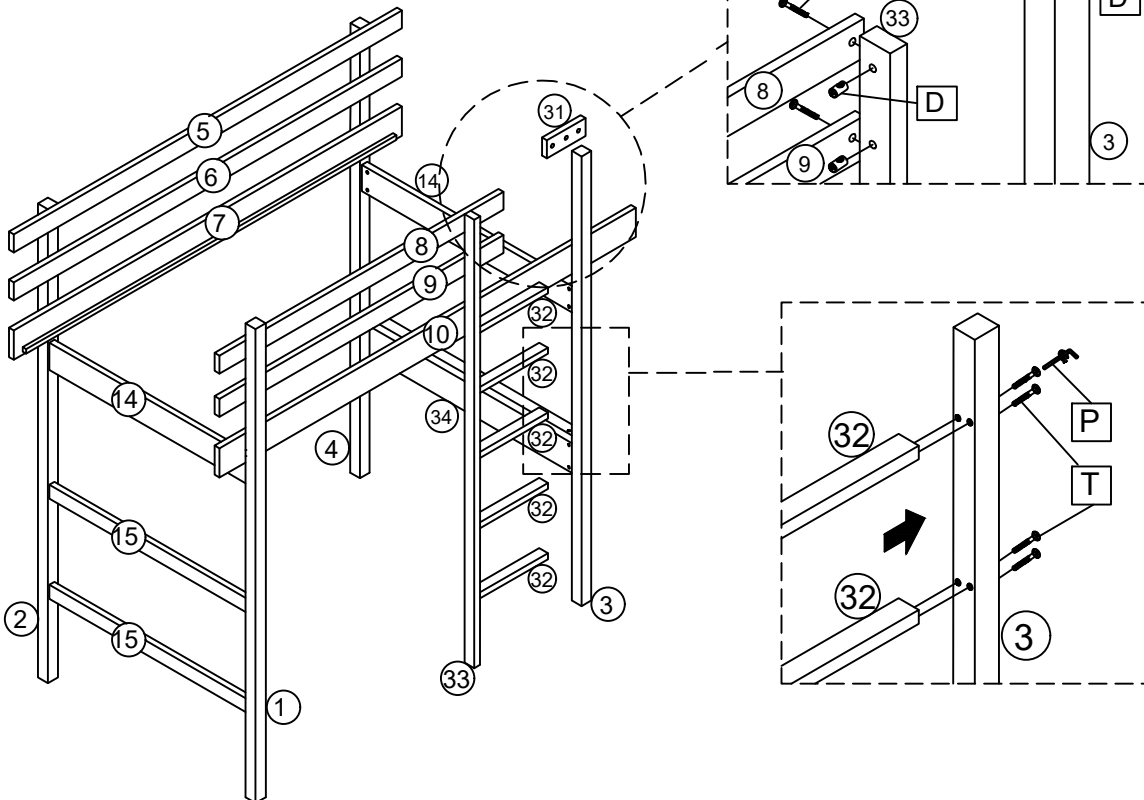
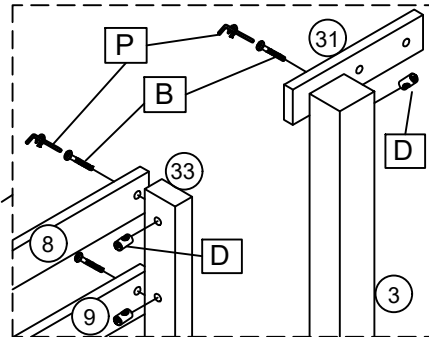
STEP 5

assemble right side & guard rails panel



STEP 6

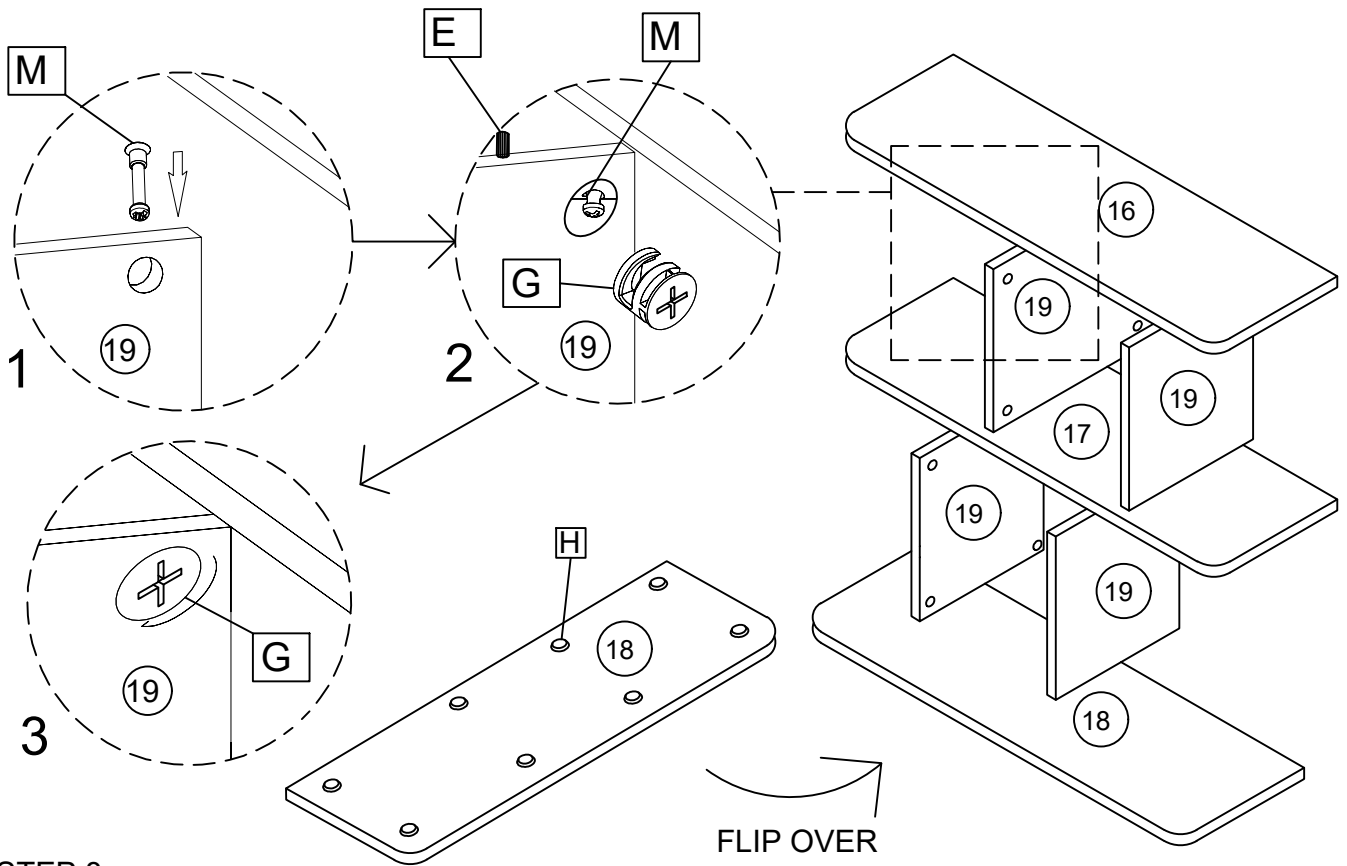
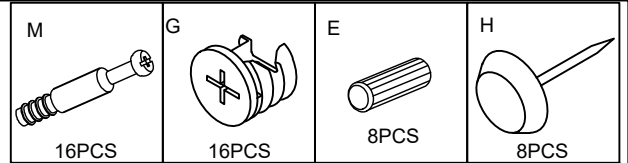
assemble step ladder to bed



BUNK BED - WF315604 , WF315605

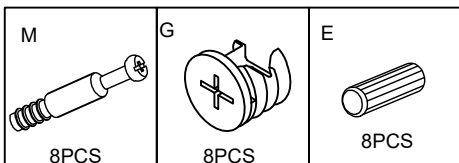
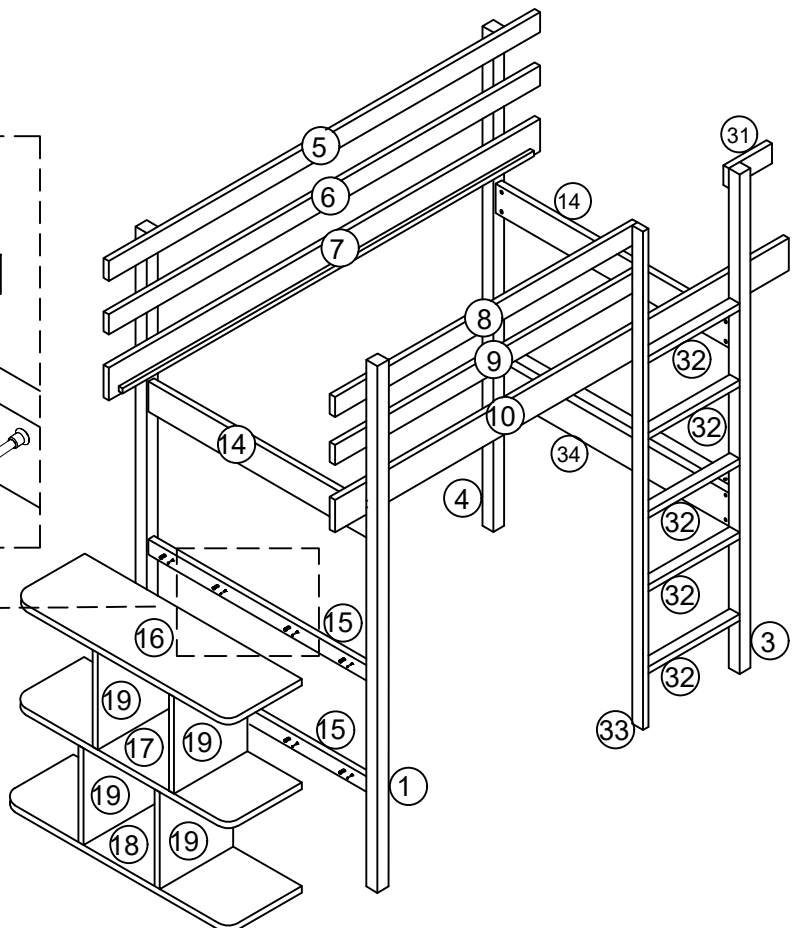
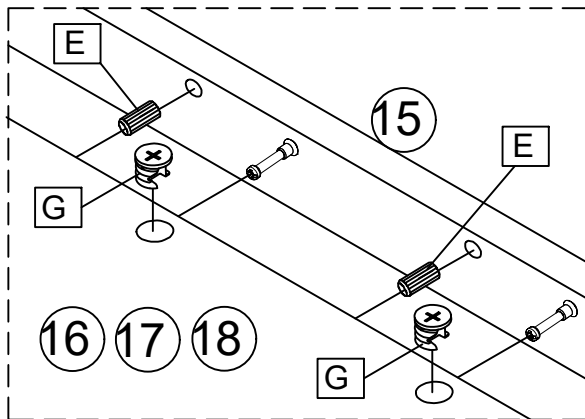
STEP 7

assemble front shelf panel



STEP 8

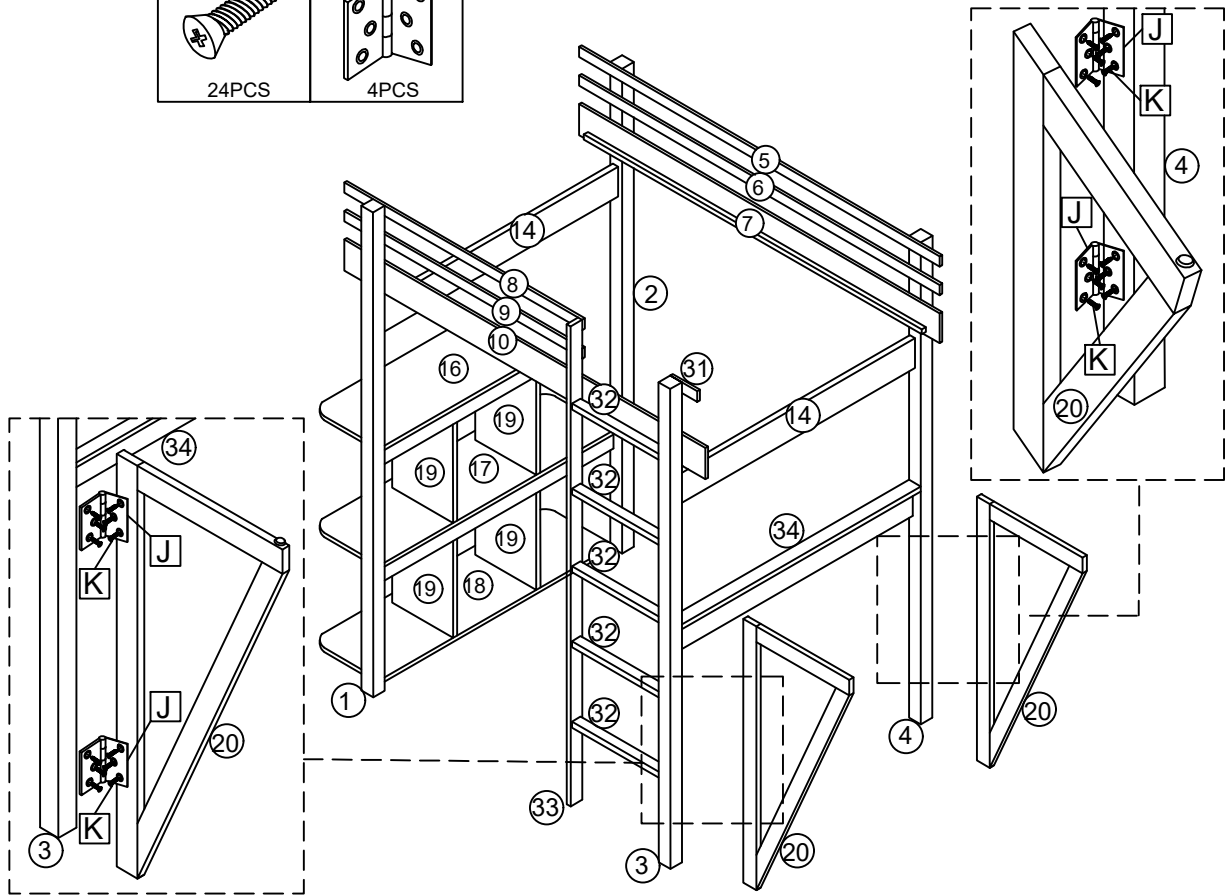
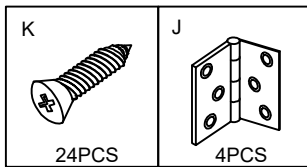
assemble shelf panel to front bed



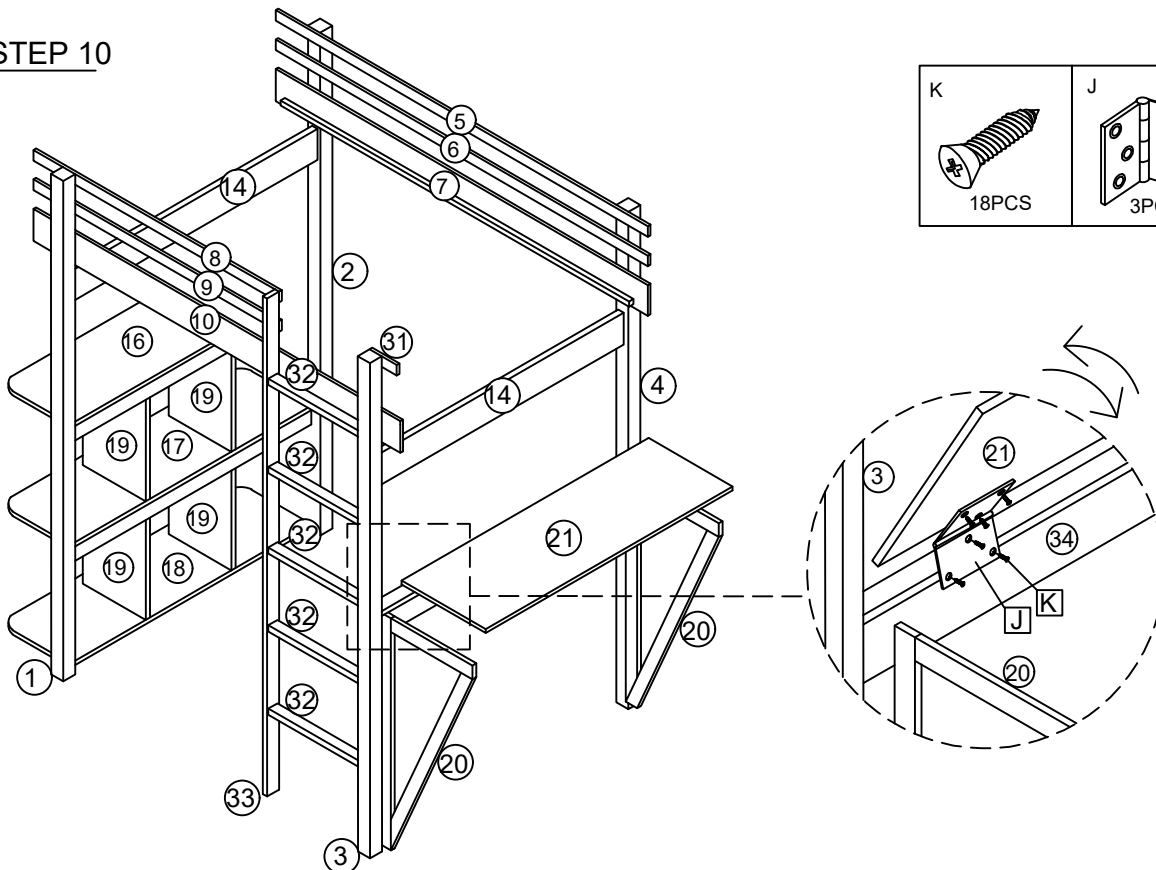
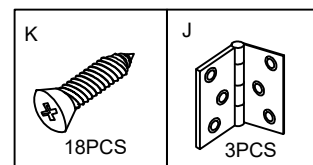
BUNK BED -WF315604, WF315605

STEP 9

assemble folding table panel

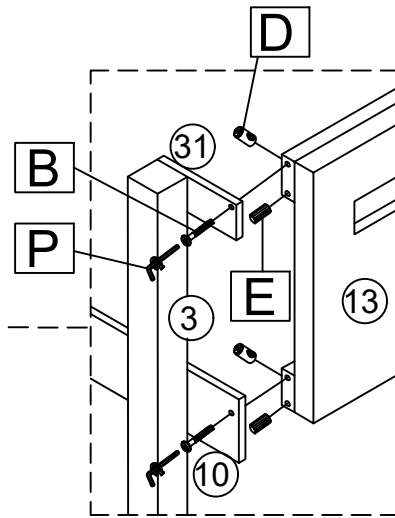
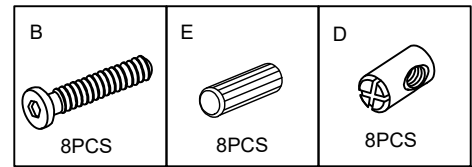
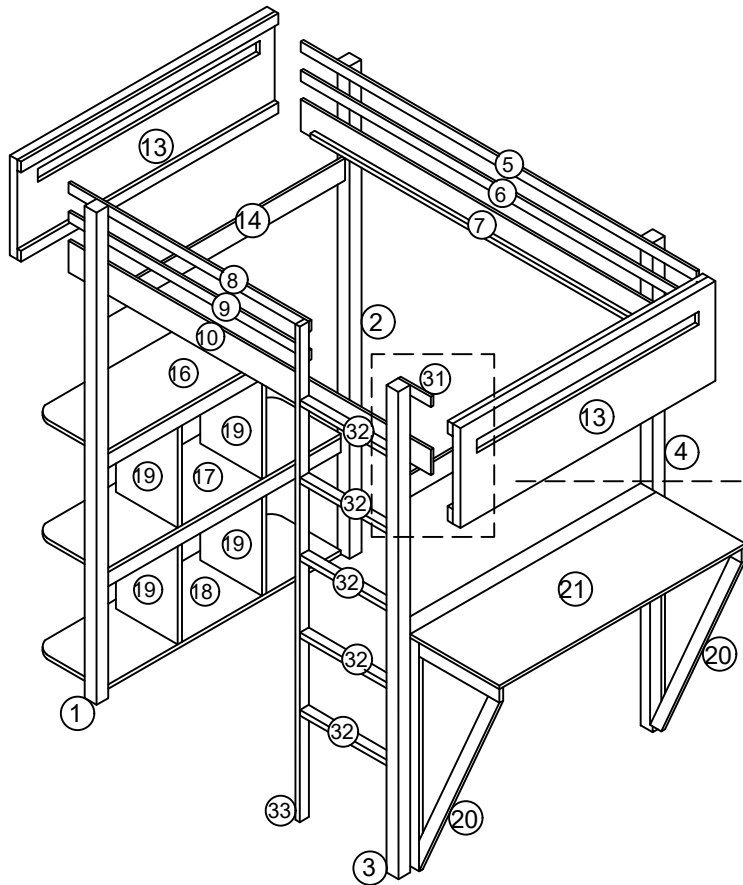


STEP 10

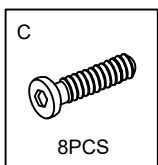
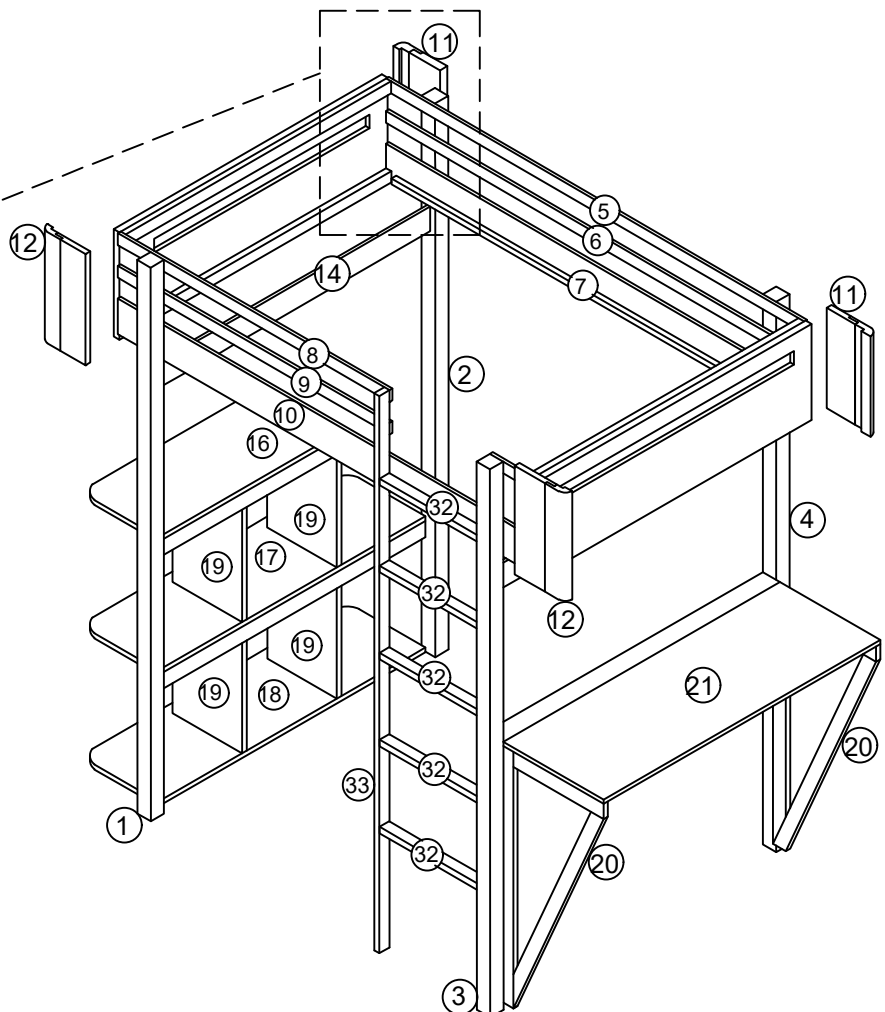
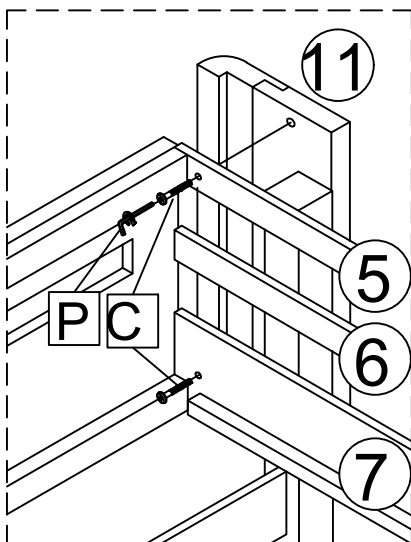


BUNK BED - WF315604 , WF315605

STEP 11

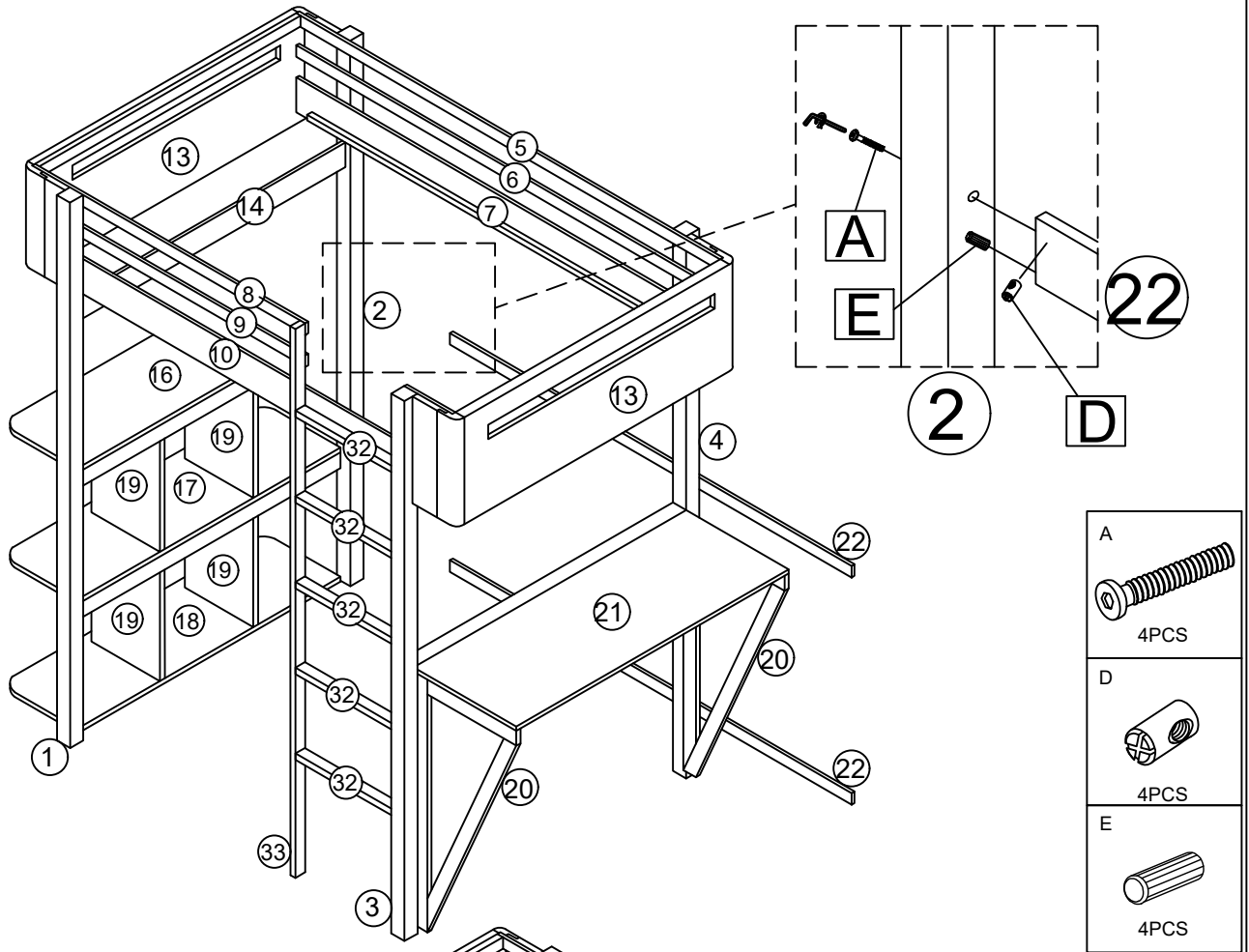


STEP 12

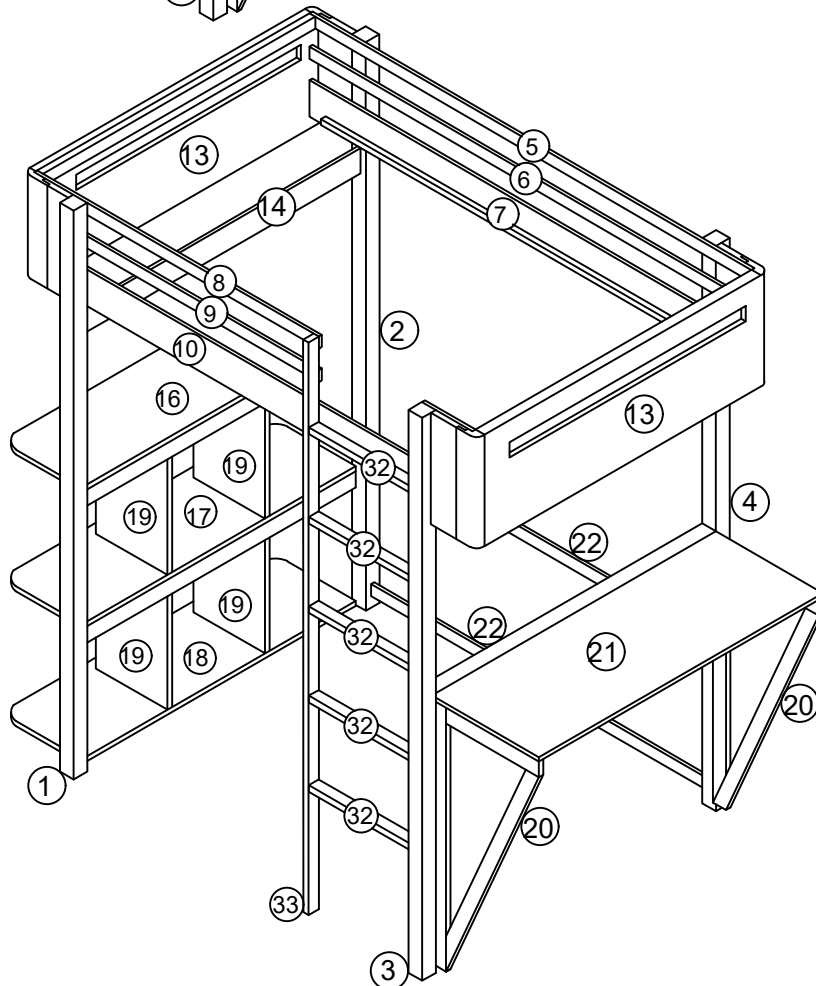


BUNK BED -WF315604 , WF315605

STEP 13



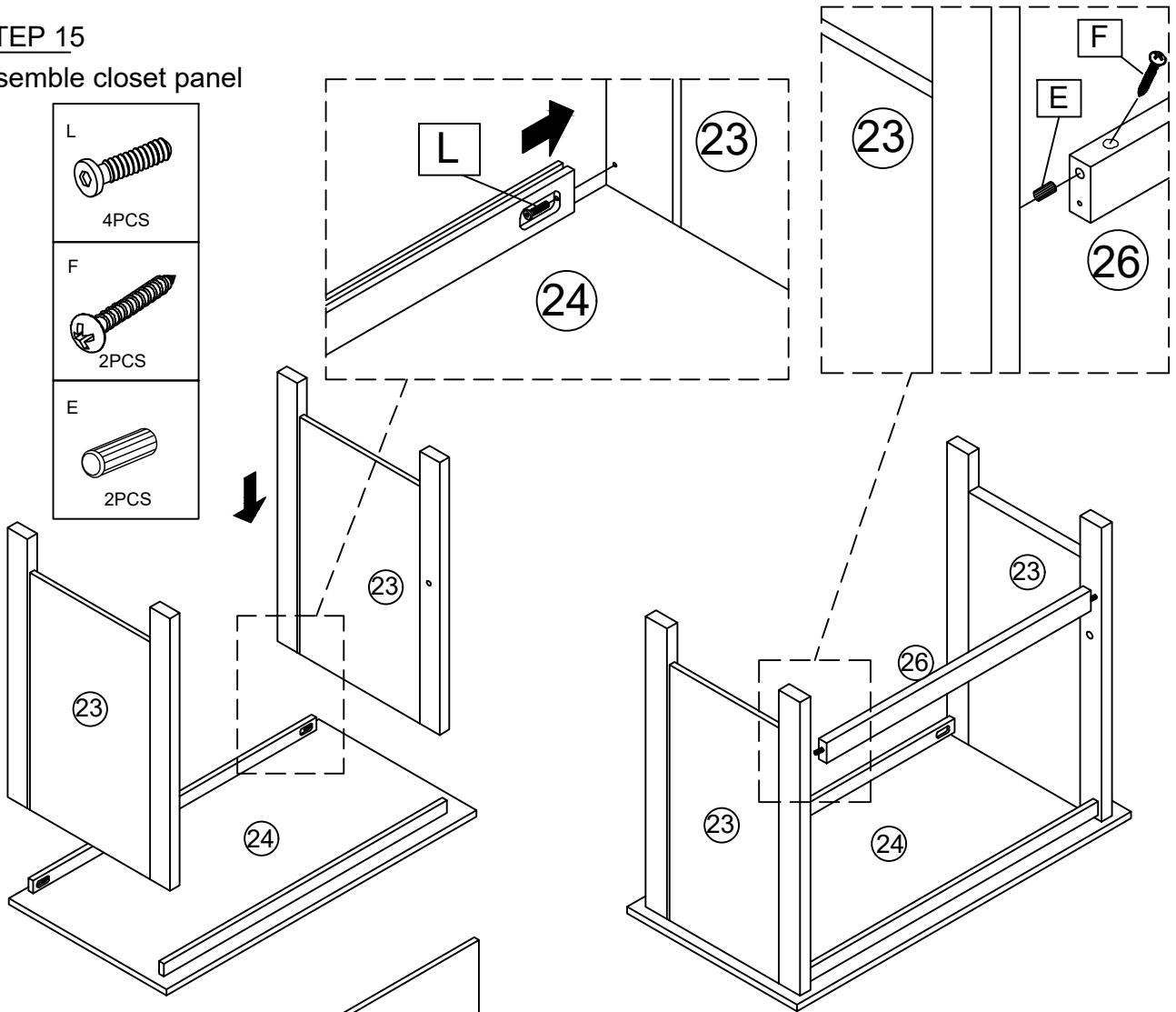
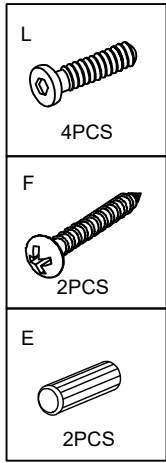
STEP 14



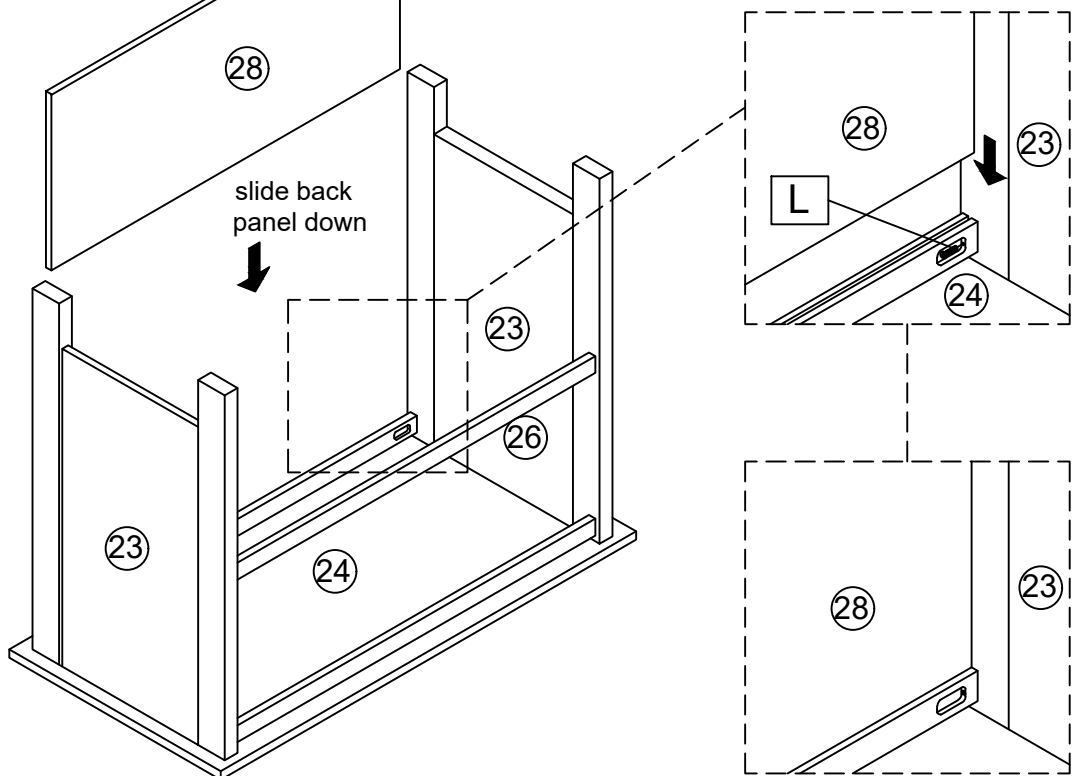
BUNK BED -WF315604 , WF315605

STEP 15

assemble closet panel

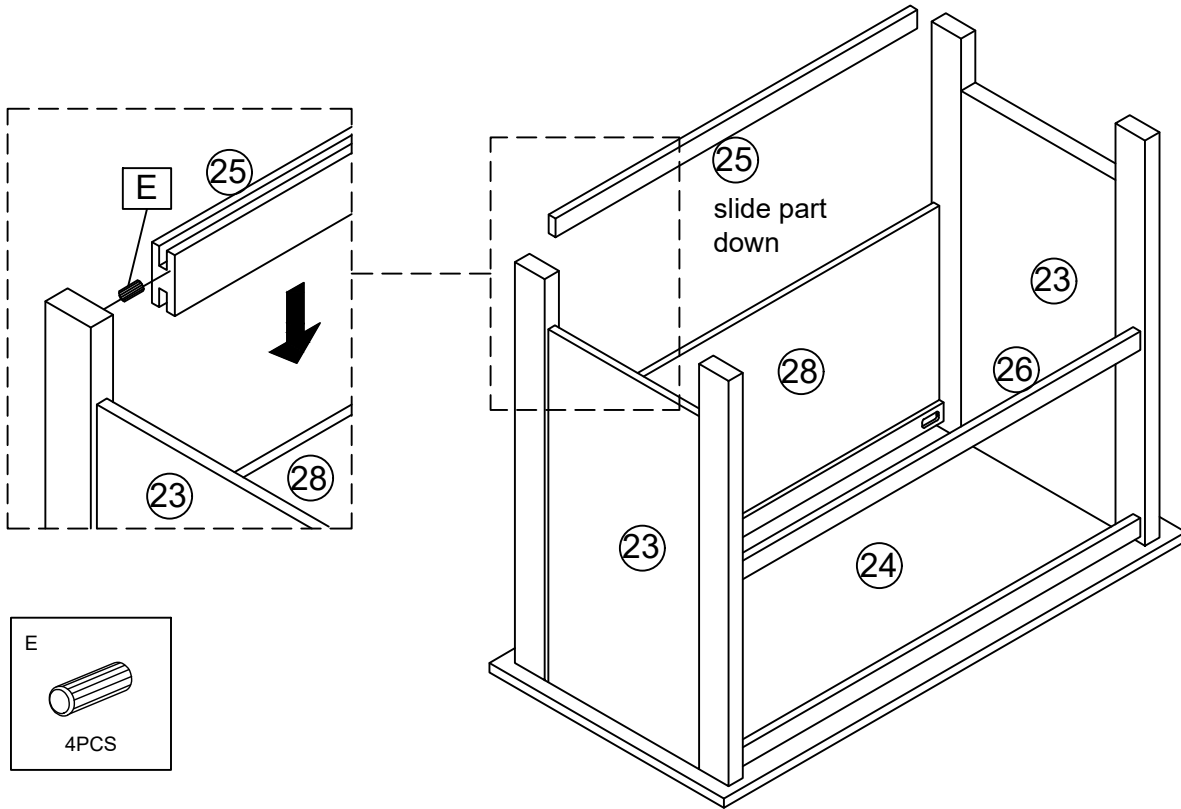


STEP 16

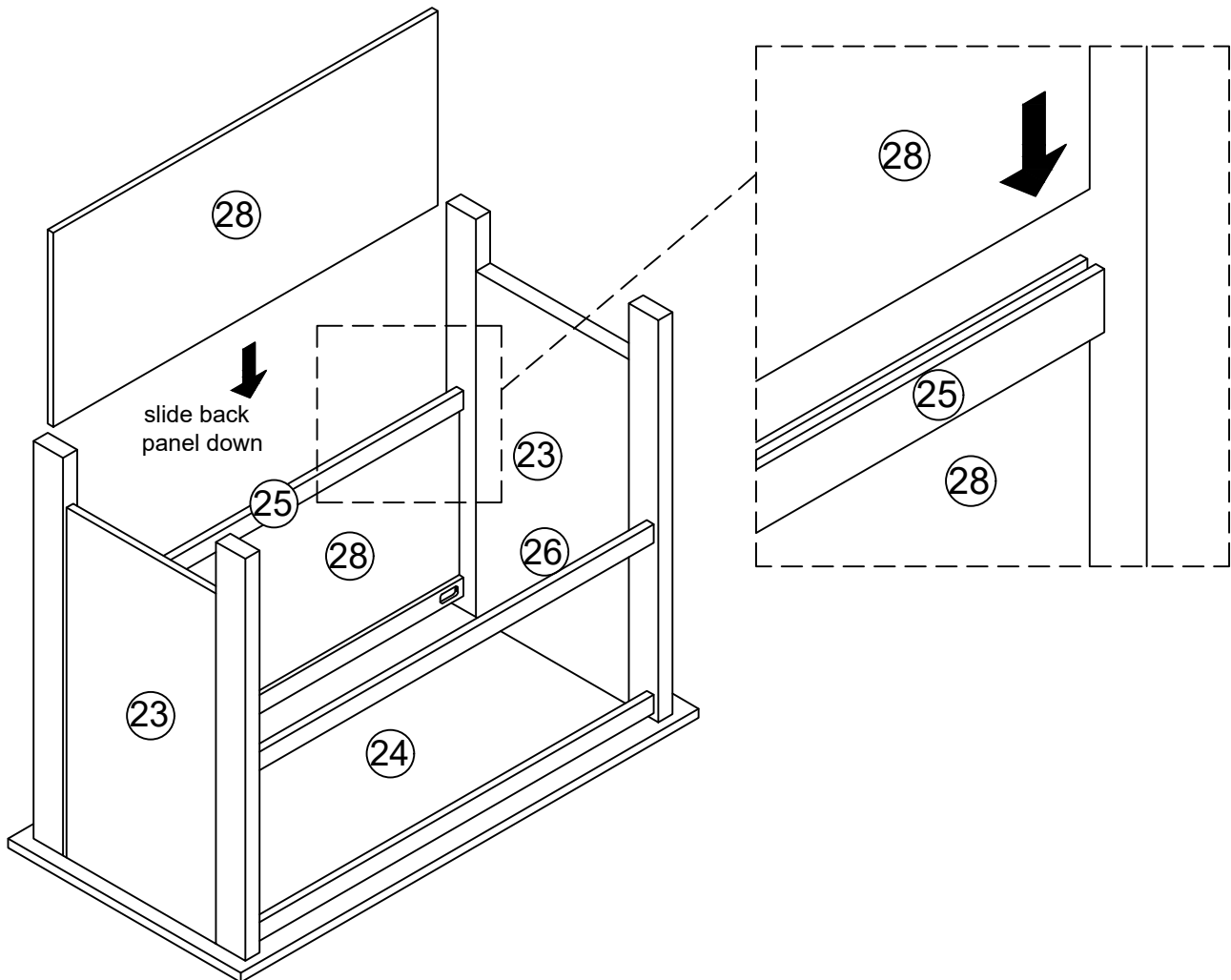


BUNK BED -WF315604 , WF315605

STEP 17

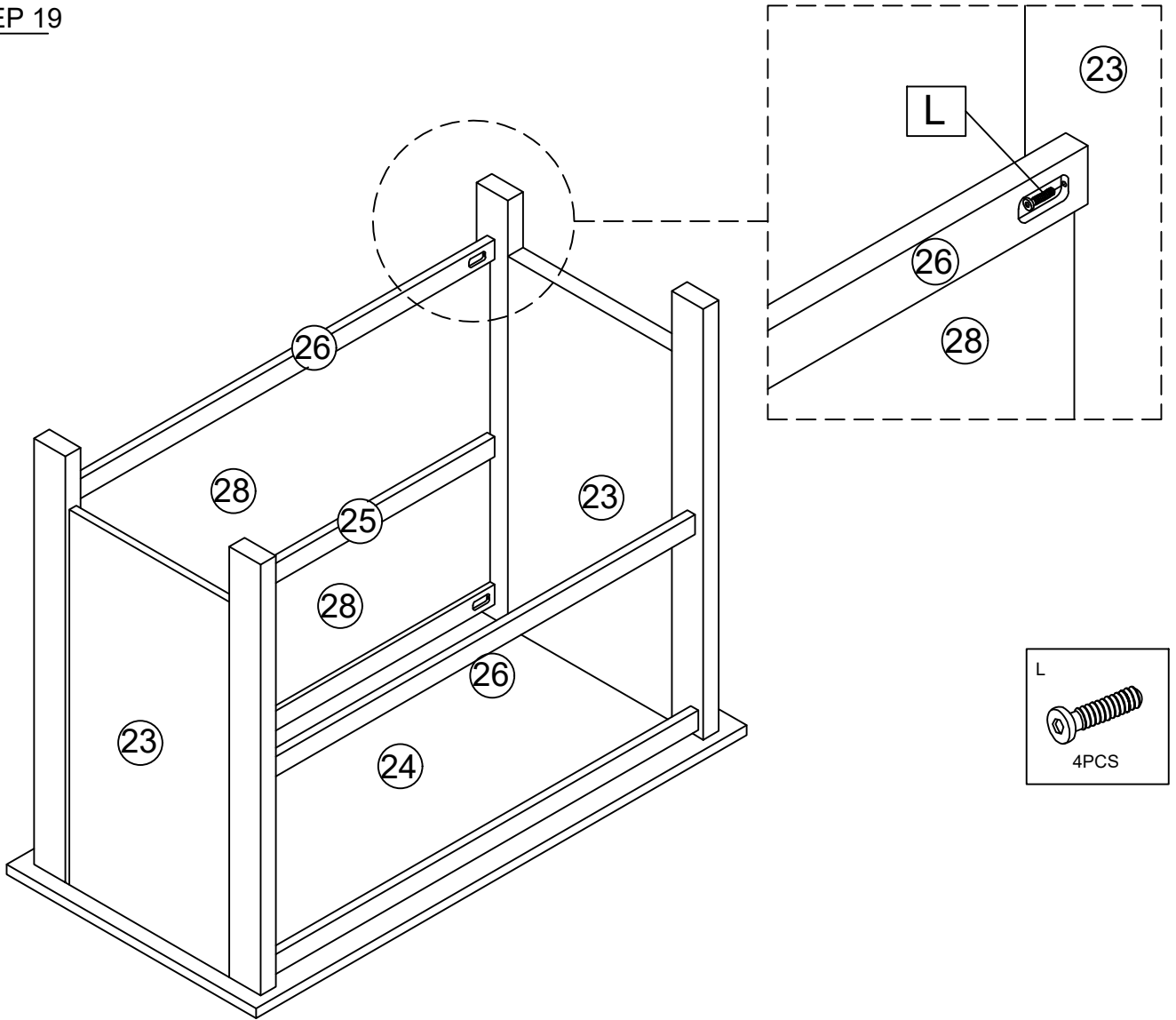


STEP 18

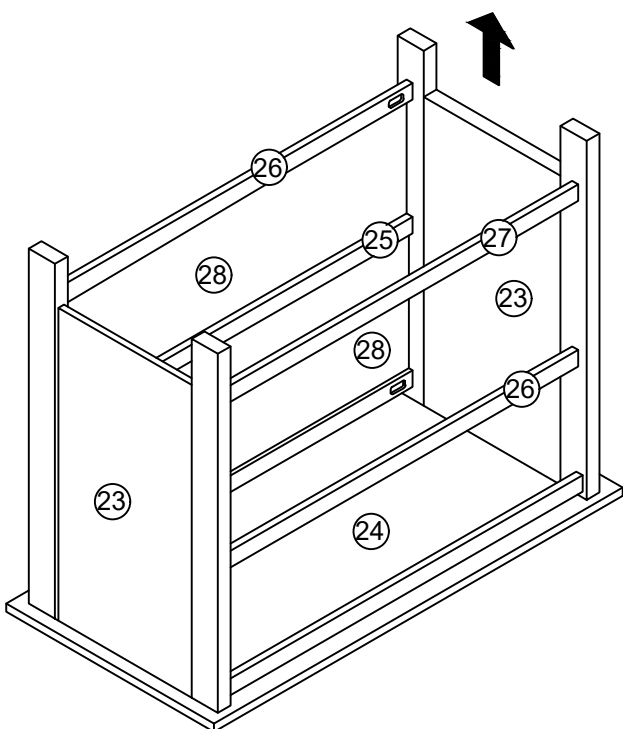


BUNK BED - WF315604 , WF315605

STEP 19

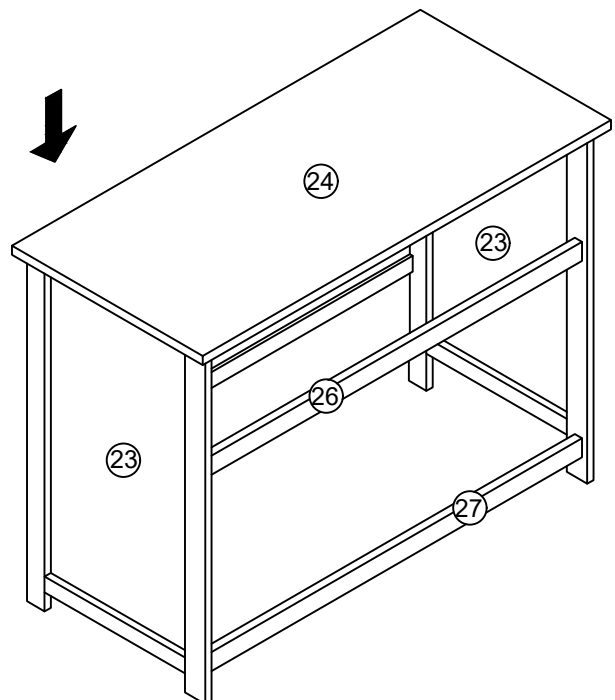


STEP 20



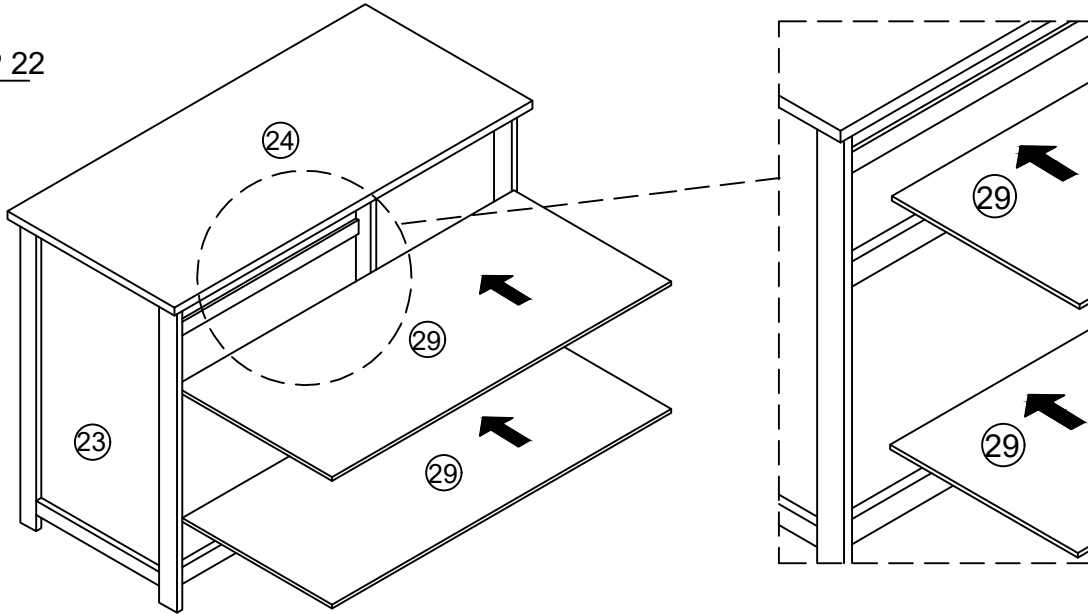
STEP 21

closet up side down

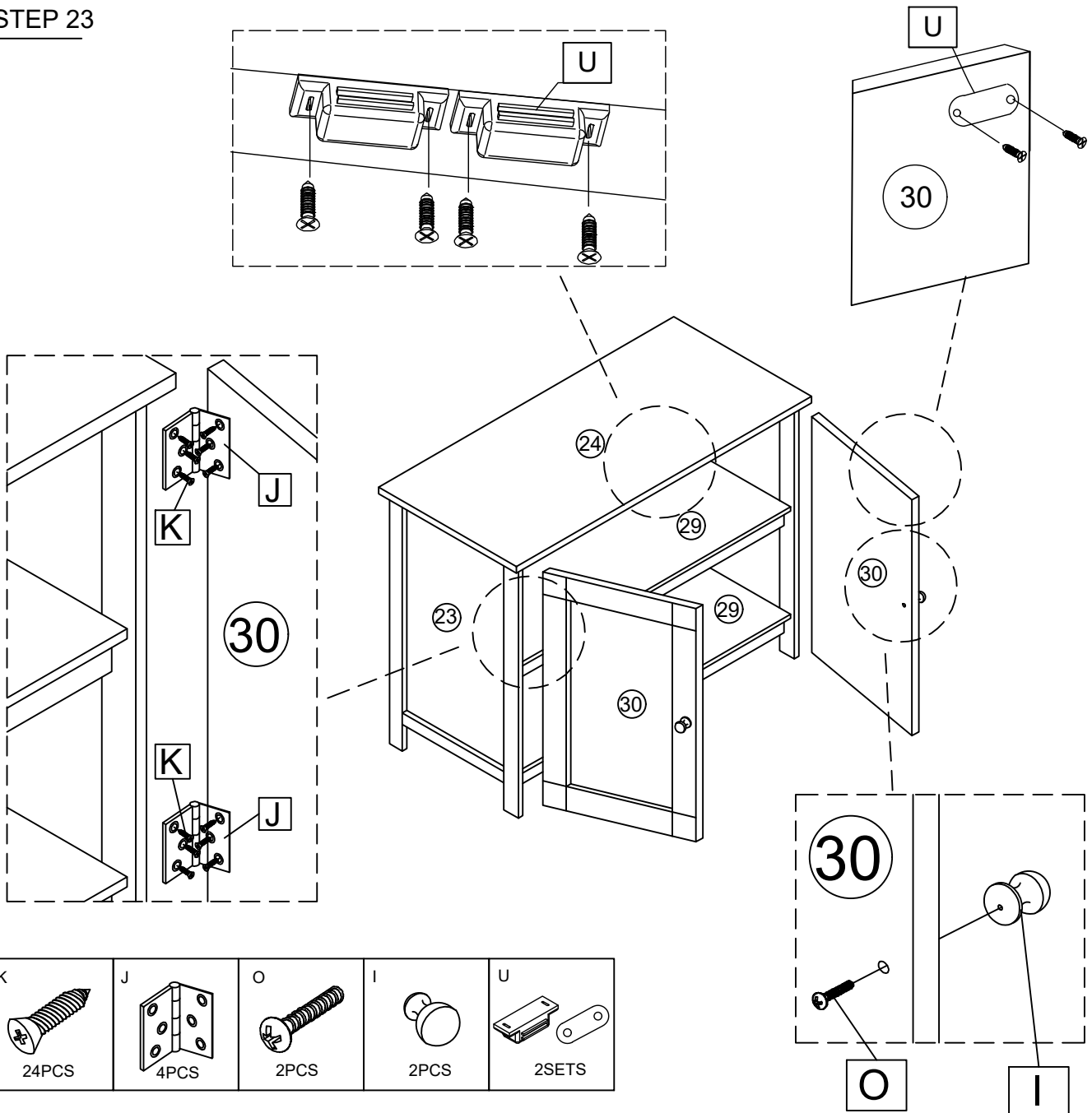



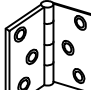
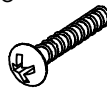

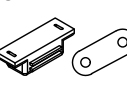
BUNK BED - WF315604 , WF315605

STEP 22



STEP 23

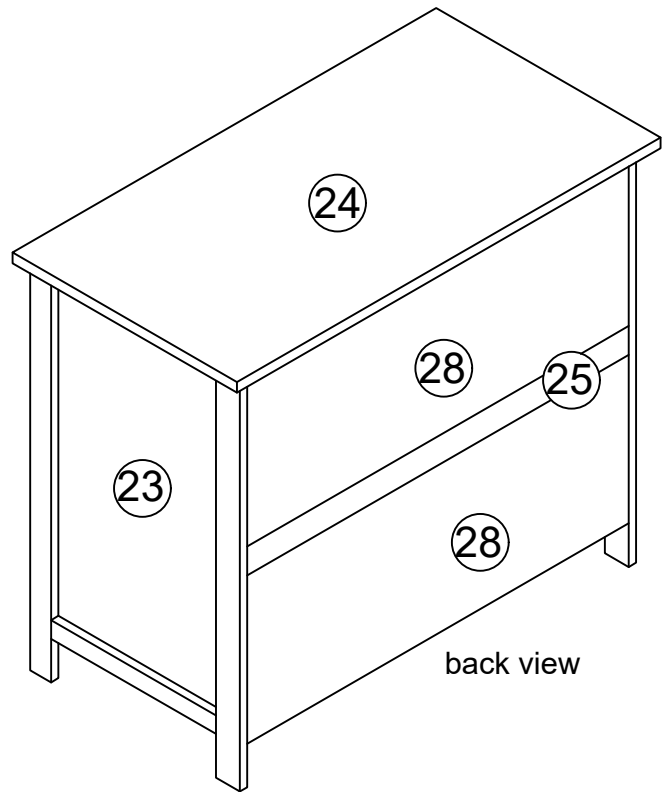
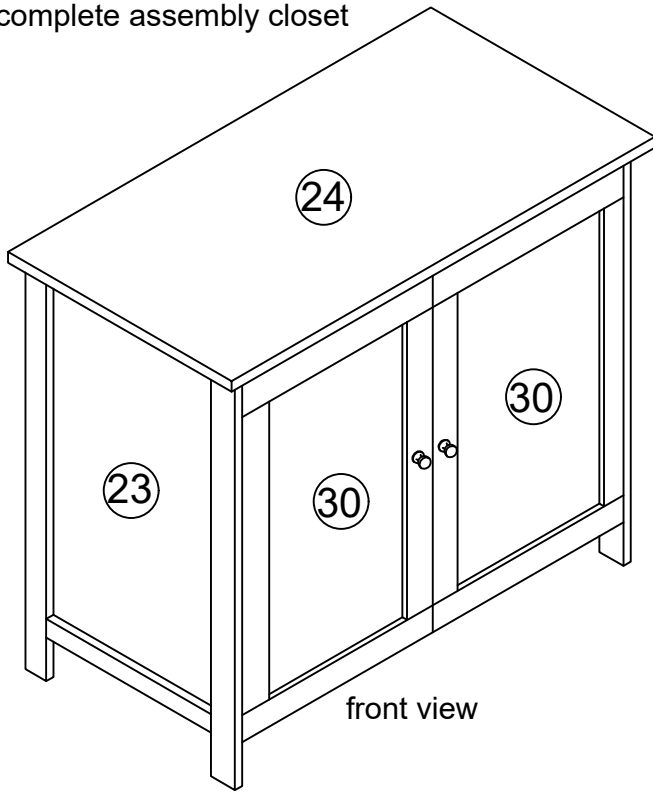


 K 24PCS	 J 4PCS	 O 2PCS	 I 2PCS	 U 2SETS
---	--	--	--	---

BUNK BED - WF315604 , WF315605

STEP 24

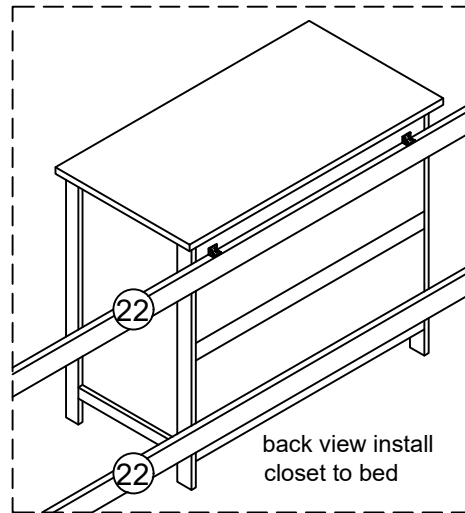
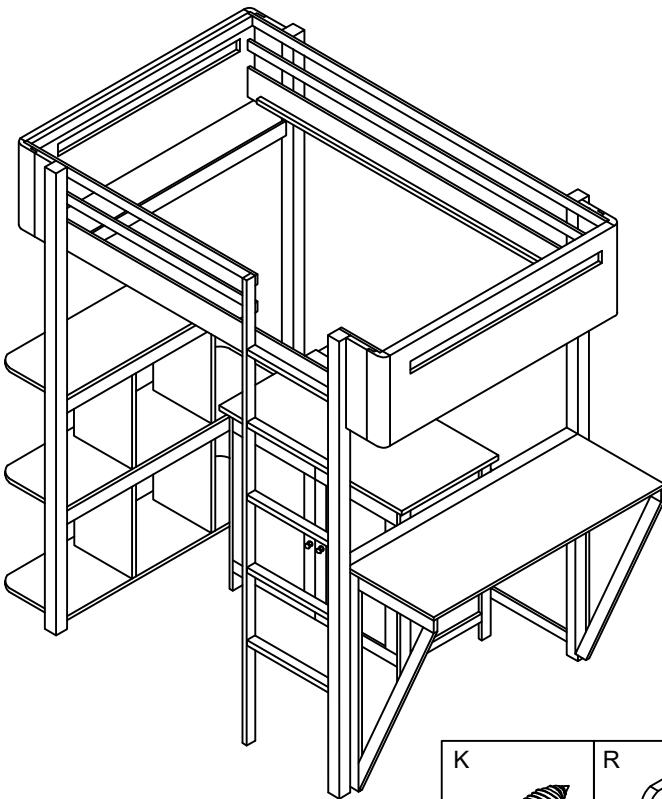
complete assembly closet



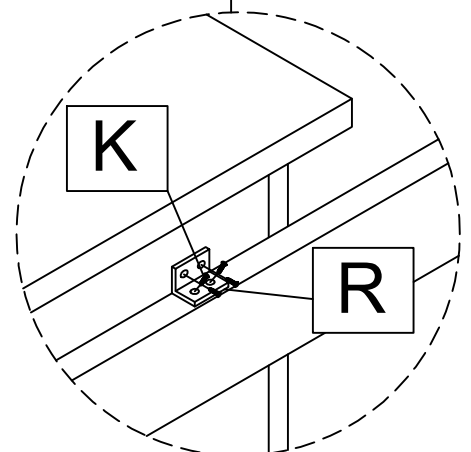
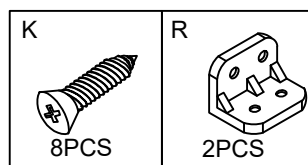
back view

STEP 25

install complete closet to bed



back view install closet to bed



BUNK BED -WF315604 , WF315605

STEP 26
assemble LVL slat

