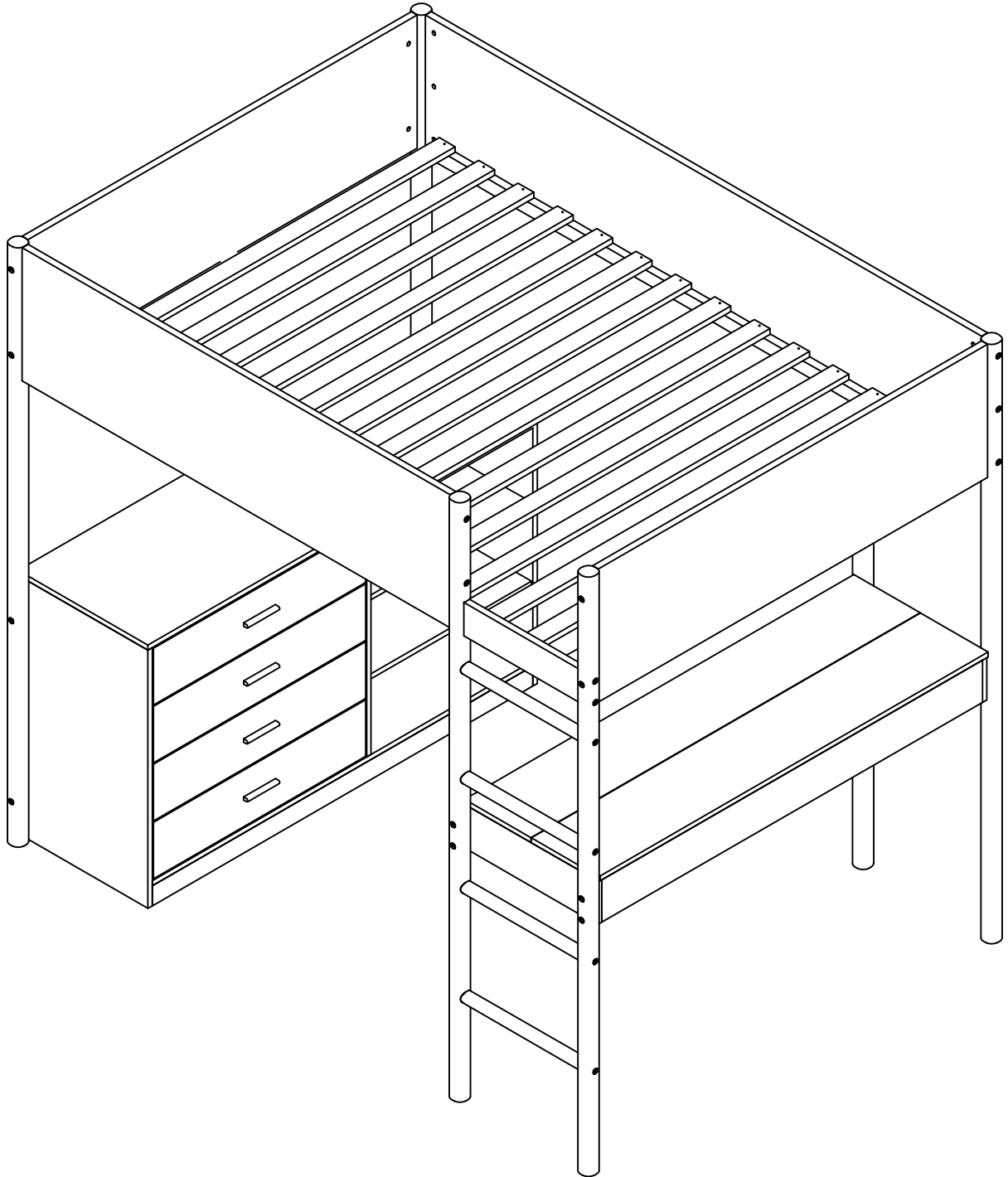


# ASSEMBLY INSTRUCTION

SKU CODE: (WF315978/WF315979/WF315980)



# EN:                    ! SAFETY WARNINGS !

1. This bed is designed for use only mattress (es) meeting the following specifications on the upper bunk

Upper bed

Bed type	Length	Width	Thickness
Twin Standard	73"- 74"	35"-36"	6" max

2. Replacement parts, including additional guardrails, maybe obtained from any of our (GIGACLOUD TECHNOLOGY (USA) INC, 18961 ARENTH AVENUE CITY OF INDUSTRY, CA 91748-1305) dealers

3. Follow the information the warnings appearing on the upper bunk bed end structure and on the carton. Do not remove warning label from bed

4. Always use the recommended size mattresses or mattress supports, or both, to help prevent the likelihood of the entrapment or falls.

5. Surface of mattress must be at least 5" (127mm) below the upper edge of guardrails

6. Do not allow children under 6 years of age to use the upper bunk

7. Periodically check and ensure that the guardrail, ladder, and other components are in their proper position, free from damage, and that all connectors are tight,

8. Do not allow horseplay on or under the bed and prohibit jumping on the bed.

9. Always use the ladder for entering and leaving the upper bunk.

10. Do not use substitute part. Contact the manufacture or dealer for replacement part

11. Use of a night light may provide added safety precaution for a child using the upper bunk.

12. Always use guardrails on both long sides of the upper bunk

If the bunk bed will be placed next to the wall, the guardrail that runs the full length of the bed should be placed against the wall to prevent entrapment between the bed and wall.

13. The use of water or sleep flotation mattresses is prohibited

14. STRANGULATION HAZARD -Never attach or hang items to any part of the bunk bed that are not designed for use with the bed; for example, but not limited to, hook, belts and jump ropes

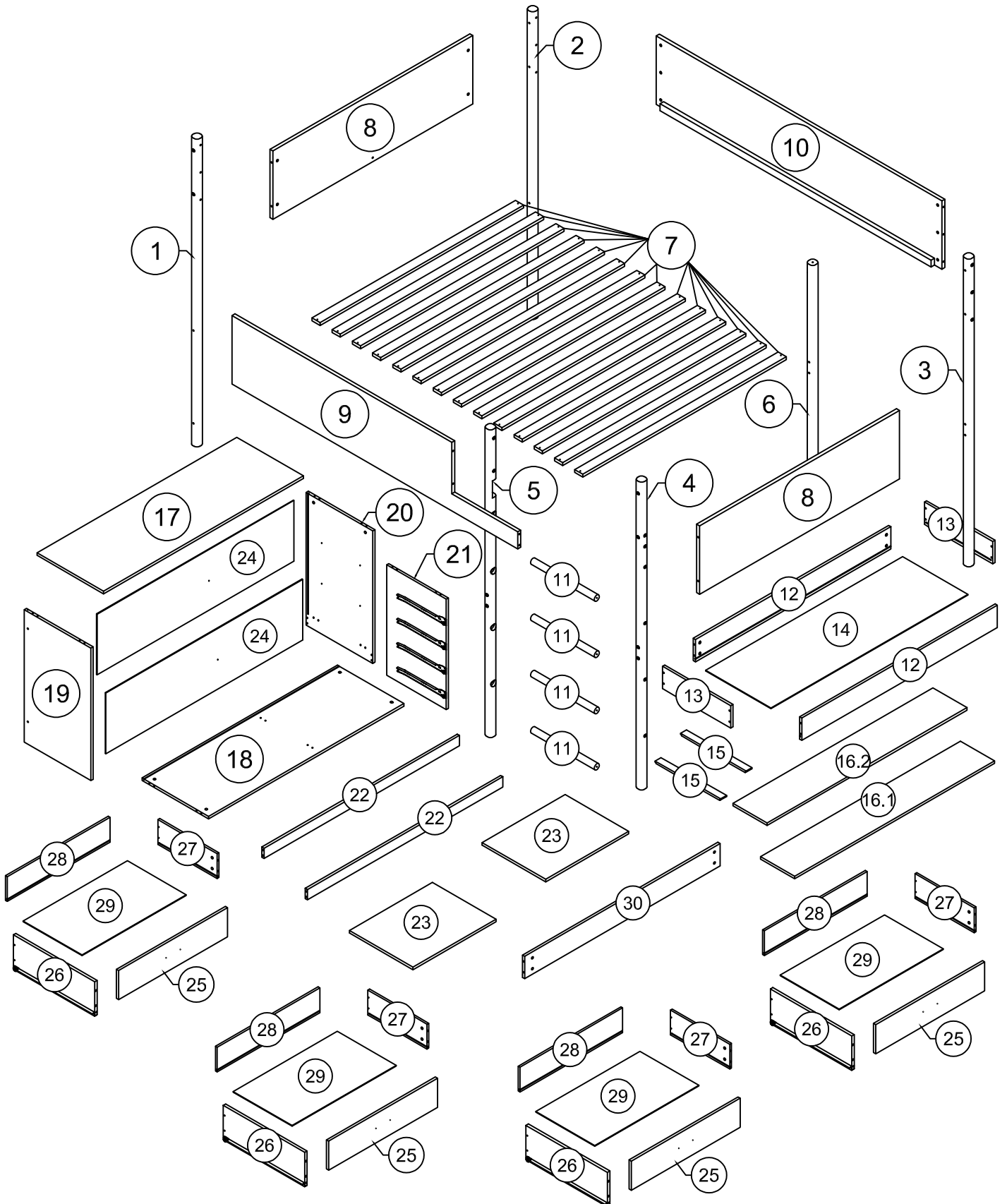
15. Keep these instruction for future reference

16. Prohibit more than one person on upper bunk

17. We recommend assembling your bunk bed on the shipping carton to protect your floor or carpet

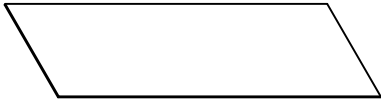
18. Be certain all staples are out of the box before beginning assembly on the shipping carton

# ASSEMBLY INSTRUCTION



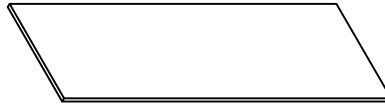
# Part List (WF315978)

14



Bottom Plate - 1pcs

17



Upper Plate - 1pcs

18



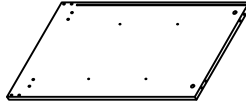
Lower Plate - 1pcs

19



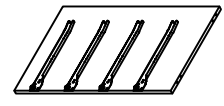
Left Hip Plate - 1pcs

20



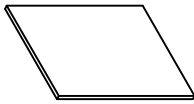
Right Hip Plate - 1pcs

21



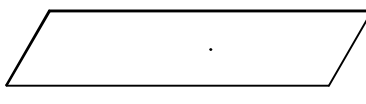
Middle Plate - 1pcs

23



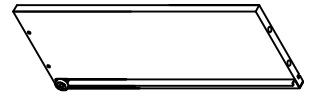
Mobile Plate - 2pcs

24



Back Panels - 2pcs

26



Draws - Side Panels - 4pcs

27



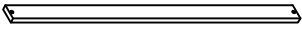
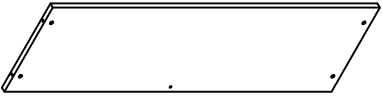
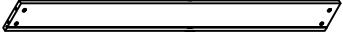

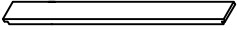
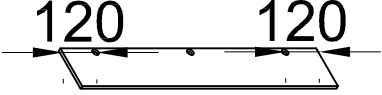
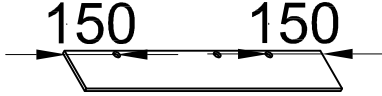

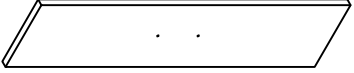

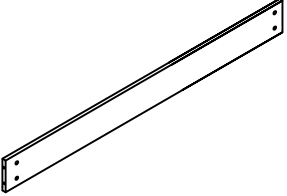
Draws - Side Panels - 4pcs

29

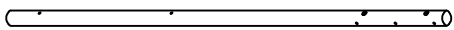
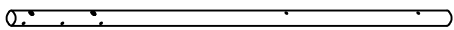
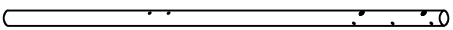
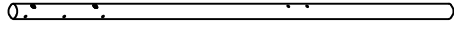
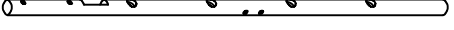
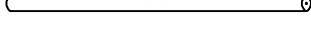
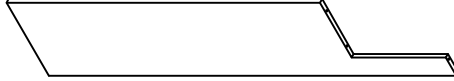
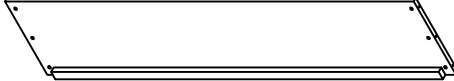
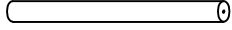


Draws - Bottom Panels - 4pcs

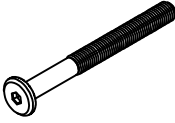

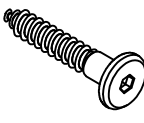
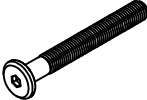



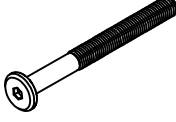
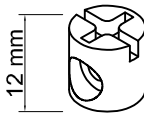
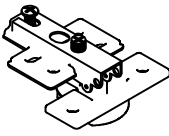


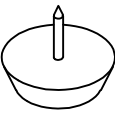
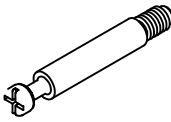
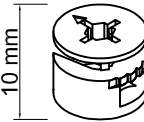
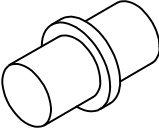
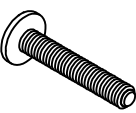
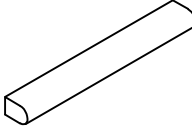

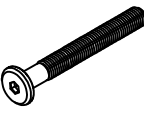
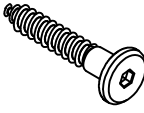
# Part List (WF315979)

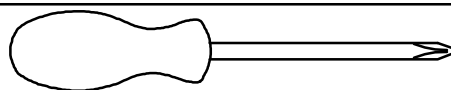
<p><b>7</b></p>  <p>Slats - 14pcs</p>	<p><b>8</b></p>  <p>Side Rails - 2pcs</p>	<p><b>12</b></p>  <p>Side Panels - 2pcs</p>
<p><b>13</b></p>  <p>Side Panels - 2pcs</p>	<p><b>15</b></p>  <p>Support Bottom Plate -2pcs</p>	<p><b>16-1</b></p>  <p>Cabinet Door - 2pcs</p>
<p><b>16.2</b></p>  <p>Cabinet Door - 1pc</p>	<p><b>22</b></p>  <p>Cabinet Legs - 2pcs</p>	<p><b>25</b></p>  <p>Draws - Font Panels - 4pcs</p>
<p><b>28</b></p>  <p>Draws - Back Panels - 4pcs</p>	<p><b>30</b></p>  <p>Desk mid panels - 1pc</p>	

# Part List (WF315980)

<p>1</p>  <p>Legs 1 - 1pcs</p>	<p>2</p>  <p>Legs 2 - 1pcs</p>	<p>3</p>  <p>Legs 3 - 1pcs</p>
<p>4</p>  <p>Legs 4 - 1pcs</p>	<p>5</p>  <p>Legs 5 - 1pcs</p>	<p>6</p>  <p>Legs 6 - 1pcs</p>
<p>9</p>  <p>Font Side Rails - 1pcs</p>	<p>10</p>  <p>Back Side Rails - 1pcs</p>	<p>11</p>  <p>Step - 4pcs</p>



# Hardware List (WF315978)

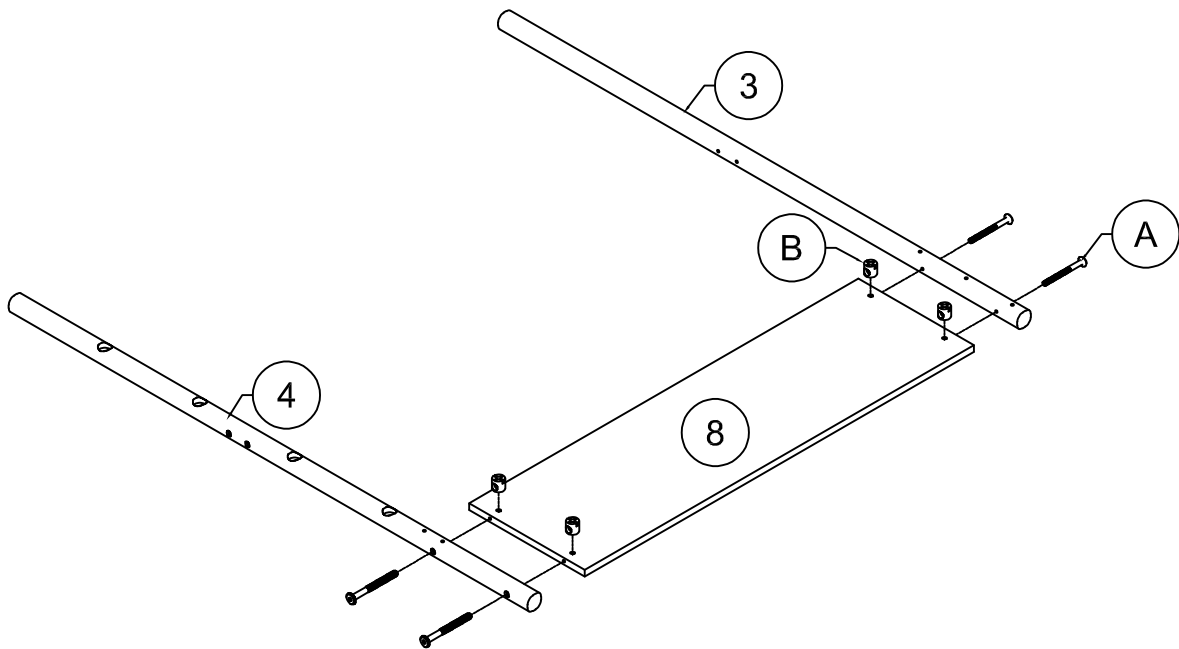
<p><b>A</b></p>  <p>1/4" x 80mm Hex-Head bolts 21pcs</p>	<p><b>B</b></p>  <p>1/4" x 15mm Horizontal -Hole bolts 21pcs</p>	<p><b>C</b></p>  <p>1/4" x 80mm Wood Screws 8pcs</p>
<p><b>D</b></p>  <p>1/4" x 60 mm Hex-Head bolts 4pcs</p>	<p><b>E</b></p>  <p>M4 x 20 mm Wood Screws 13pcs</p>	<p><b>F</b></p>  <p>M4 x 30 mm Wood Screws 44pcs</p>
<p><b>G</b></p>  <p>Ø10 x 40mm Wood Dowel 1pcs</p>	<p><b>H</b></p>  <p>1/4" x 100 mm Hex-Head bolts 8pcs</p>	<p><b>I</b></p>  <p>1/4" x 13mm Horizontal -Hole bolts 12pcs</p>
<p><b>K</b></p>  <p>Hinge 6pcs</p>	<p><b>L</b></p>  <p>M3.5 x 12 mm Wood Screws 36pcs</p>	<p><b>M</b></p>  <p>Ø8 x 30mm Wood Dowel 20pcs</p>
<p><b>N</b></p>  <p>Plastic Legs 8pcs</p>	<p><b>O</b></p>  <p>Link 1 - 32 pcs</p>	<p><b>P</b></p>  <p>Link 2 - 32 pcs</p>
<p><b>Q</b></p>  <p>Support Pin 8pcs</p>	<p><b>R</b></p>  <p>M4 x 18 mm Hex-Head bolts 8pcs</p>	<p><b>S</b></p>  <p>Handle Steel 4pcs</p>
<p><b>T</b></p>  <p>Allen Key 1pcs</p>	<p><b>D1</b></p>  <p>1/4" x 50 mm Hex-Head bolts 4pcs</p>	<p><b>U</b></p>  <p>1/4" x 30mm Wood Screws 1pc</p>





**Assembly Tools Required (Not Included)**

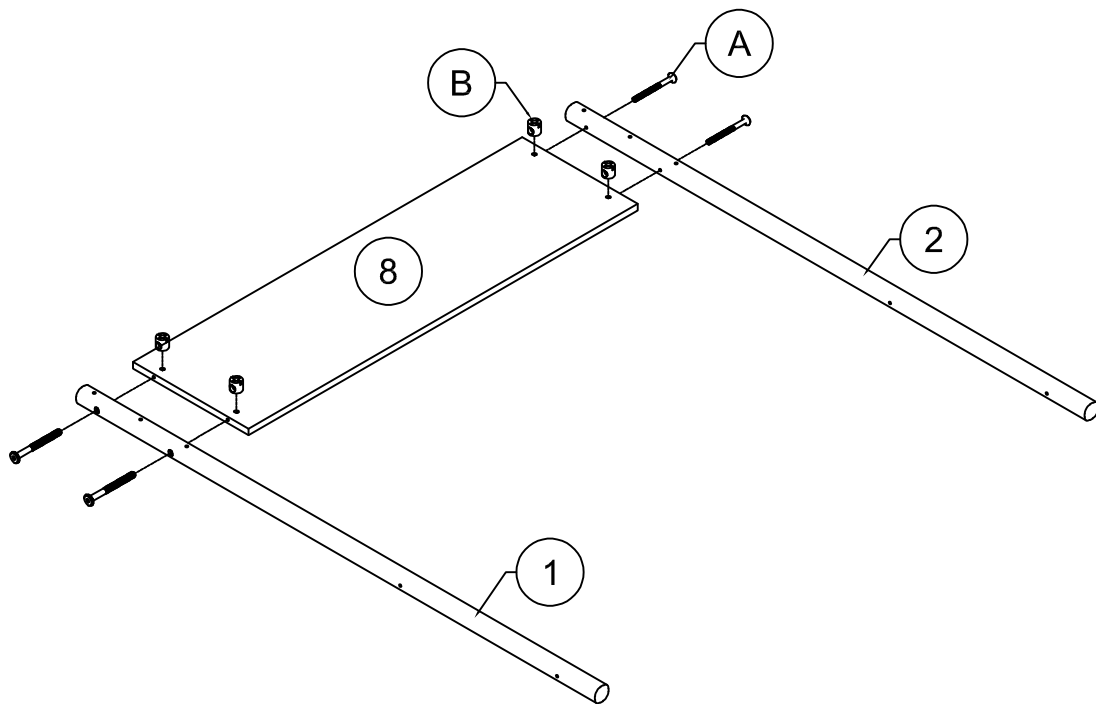
**STEP 1:** Following below illustration:

A	B
	
4pcs	4pcs



**STEP 2:** Following below illustration:

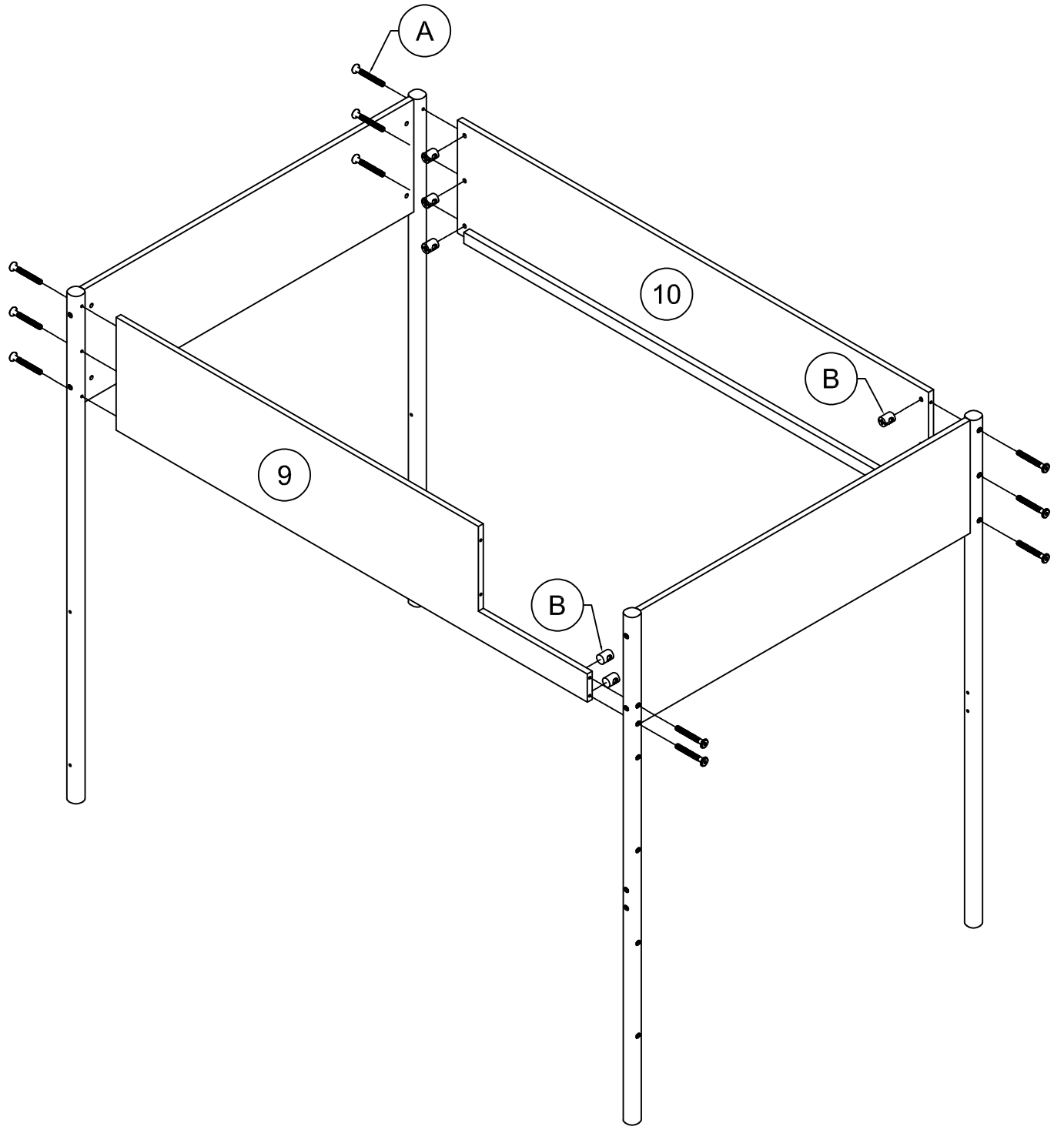
A	B
	
4pcs	4pcs





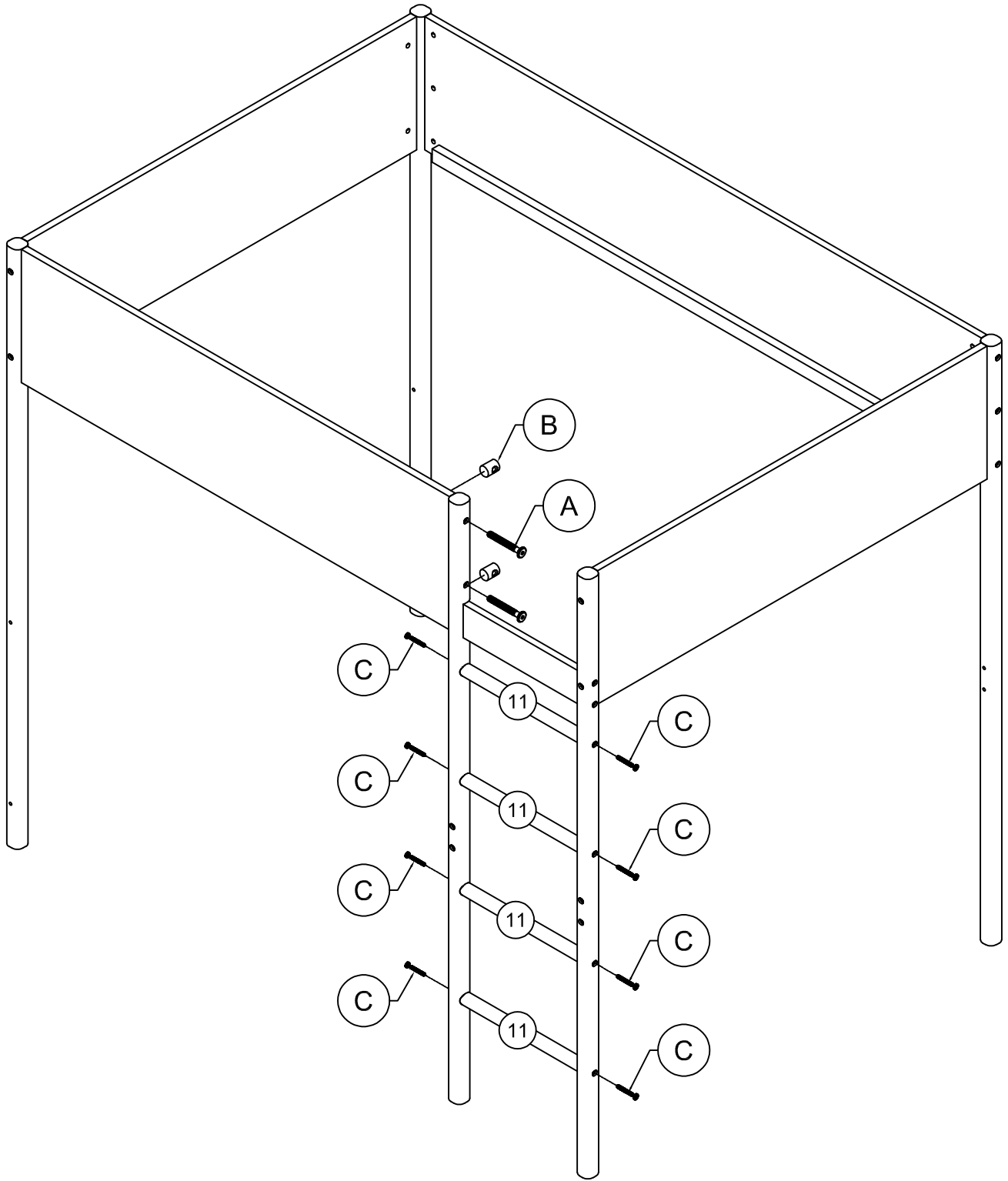
# STEP 3: Following below illustration:

A	B
11pcs	11pcs




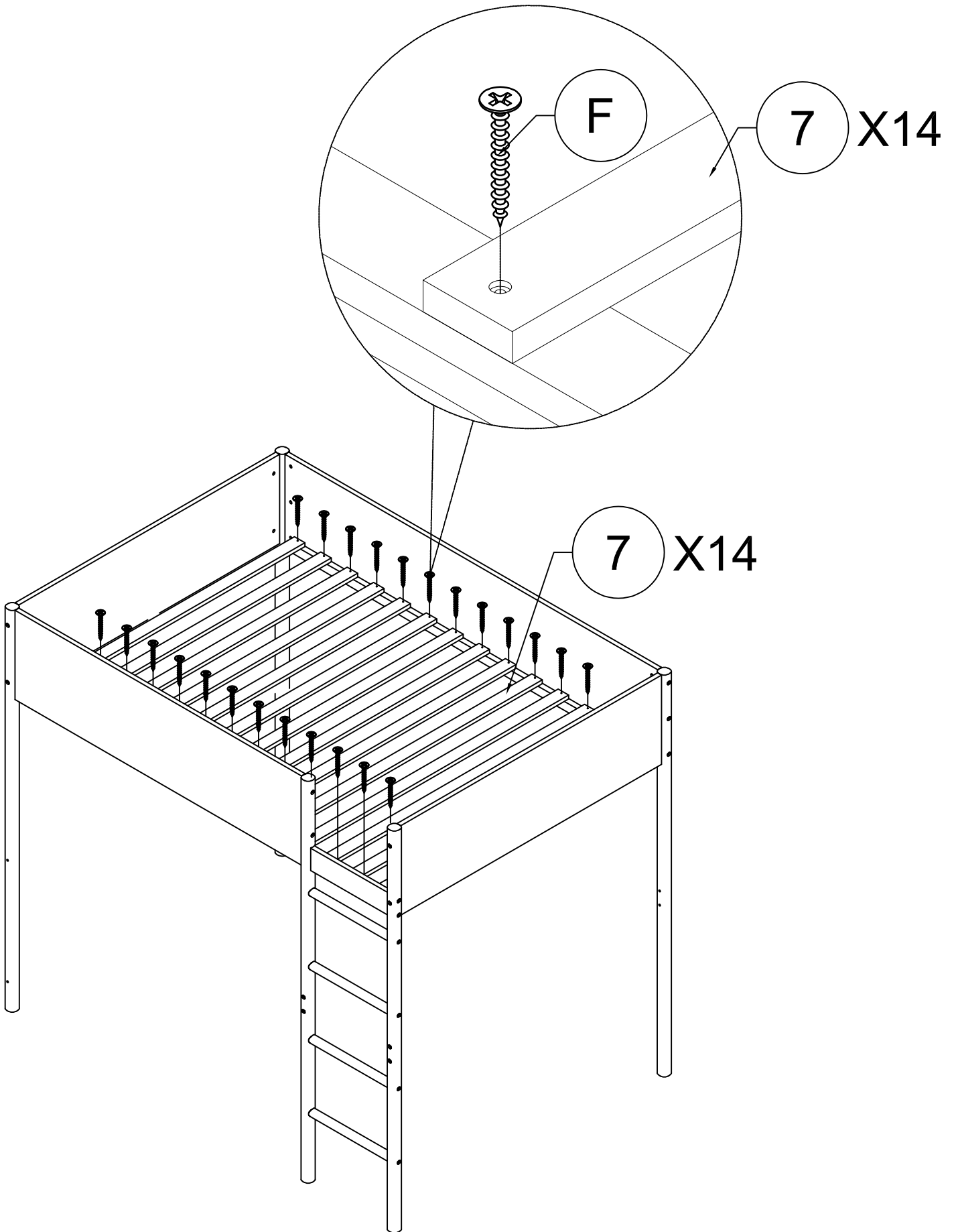
# STEP 4: Following below illustration:

A	B	C
2pcs	2pcs	8pcs

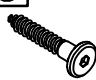



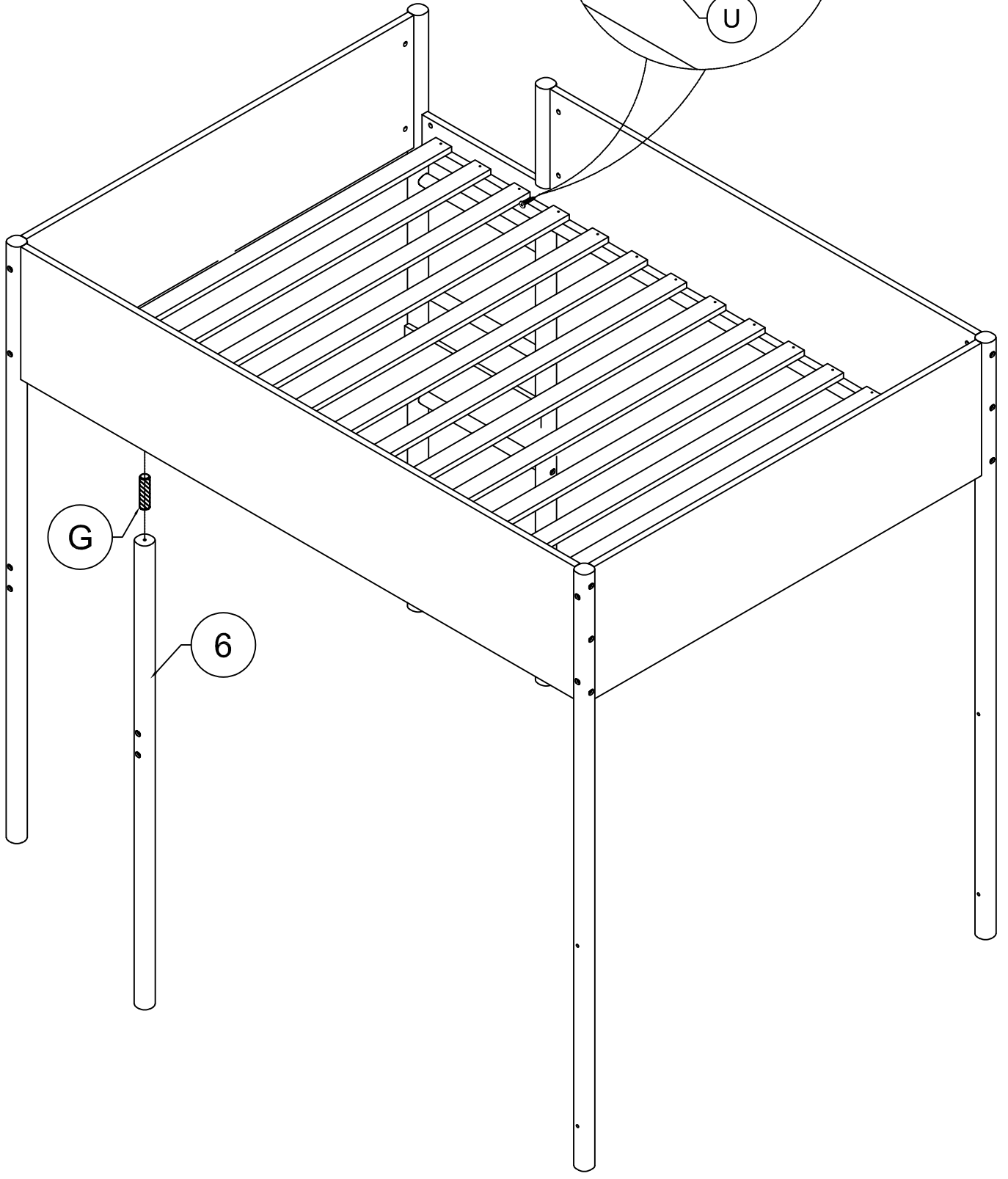
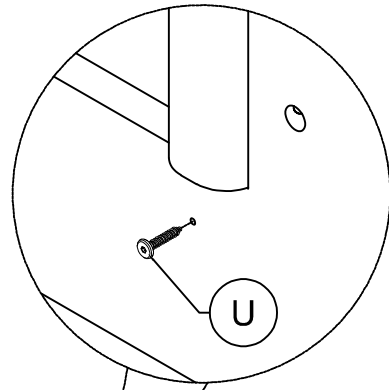
**STEP 5:** Following below illustration:

F	
28pcs	





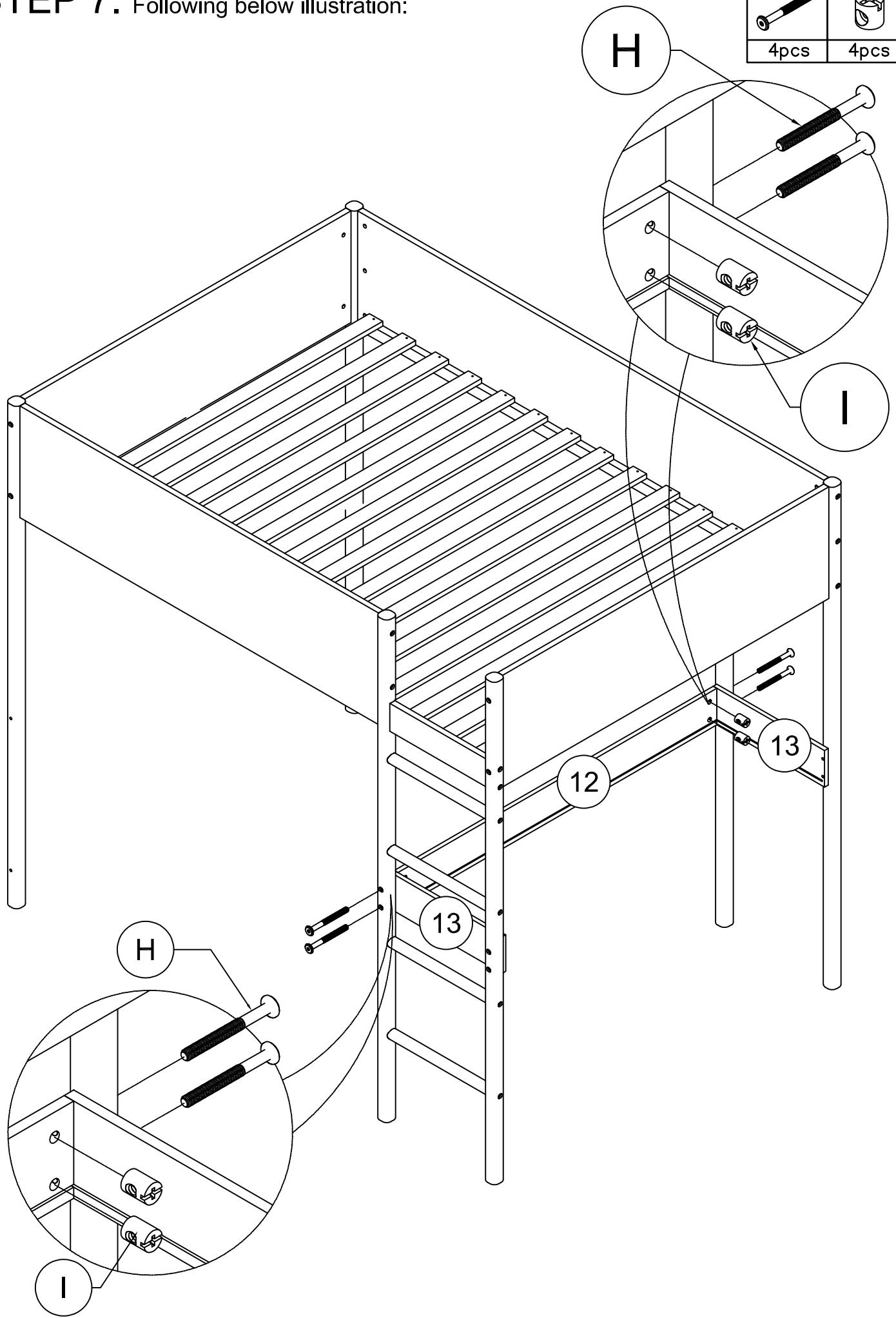
# STEP 6: Following below illustration:

U	G
	
1pc	1pcs





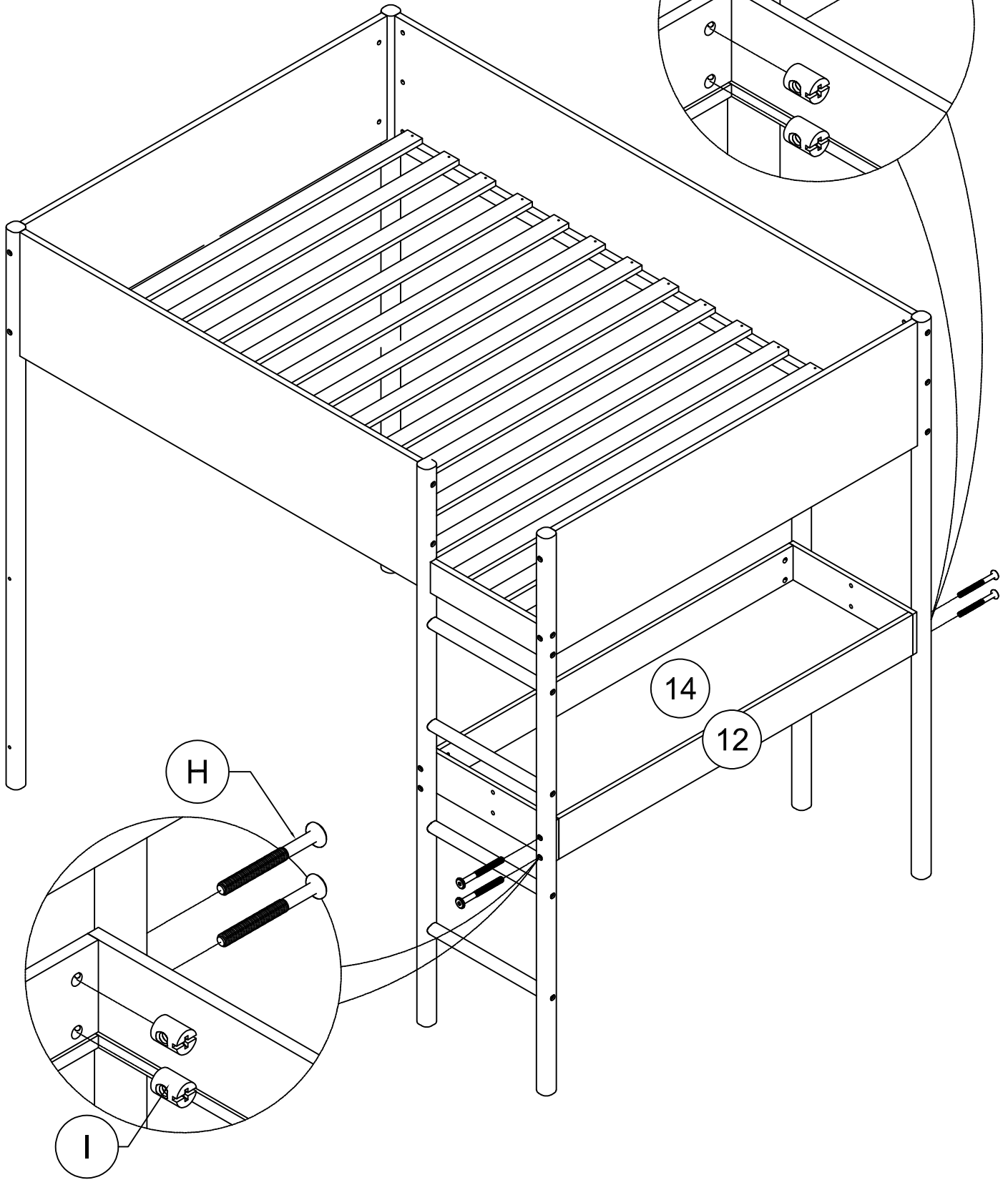
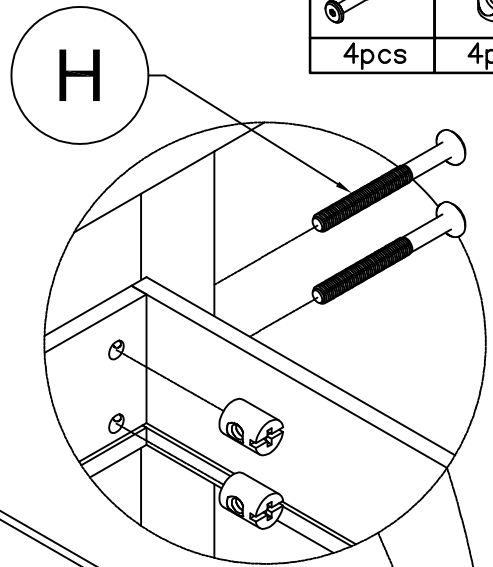
# STEP 7: Following below illustration:

H	I
	
4pcs	4pcs

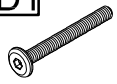



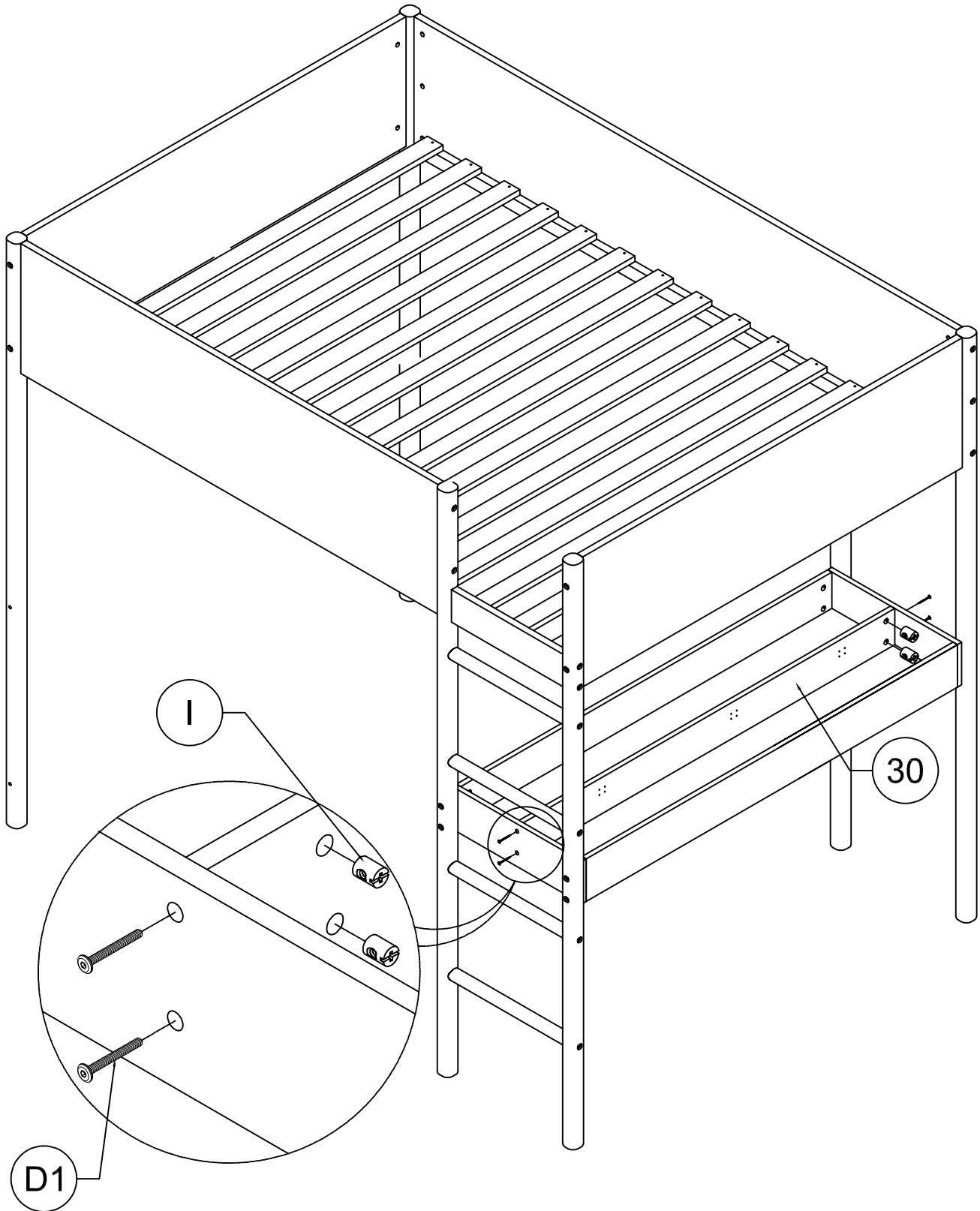
# STEP 8: Following below illustration:

H	I
	
4pcs	4pcs

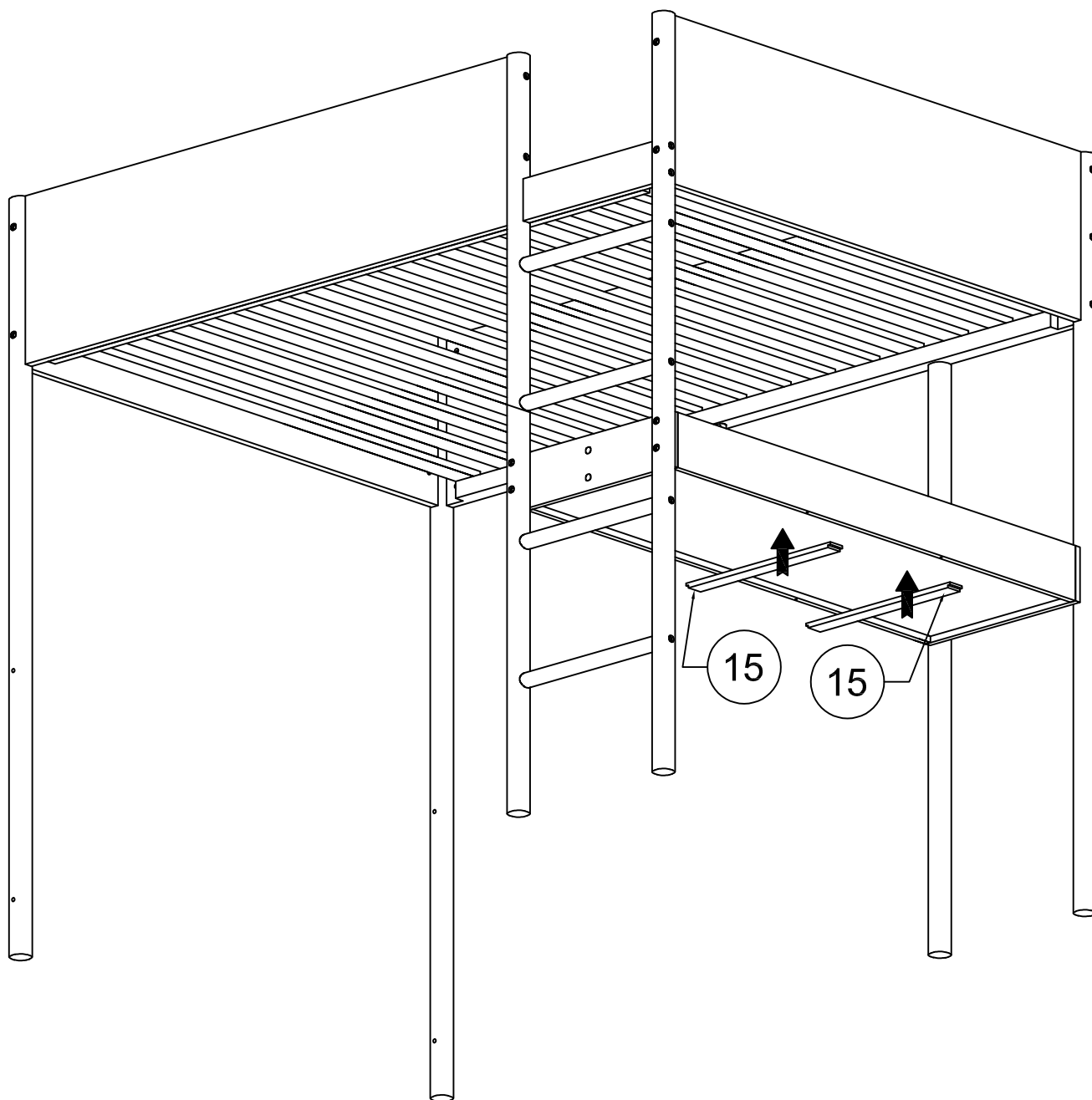


# STEP 9: Following below illustration:

D1	I
	
4pcs	4pcs



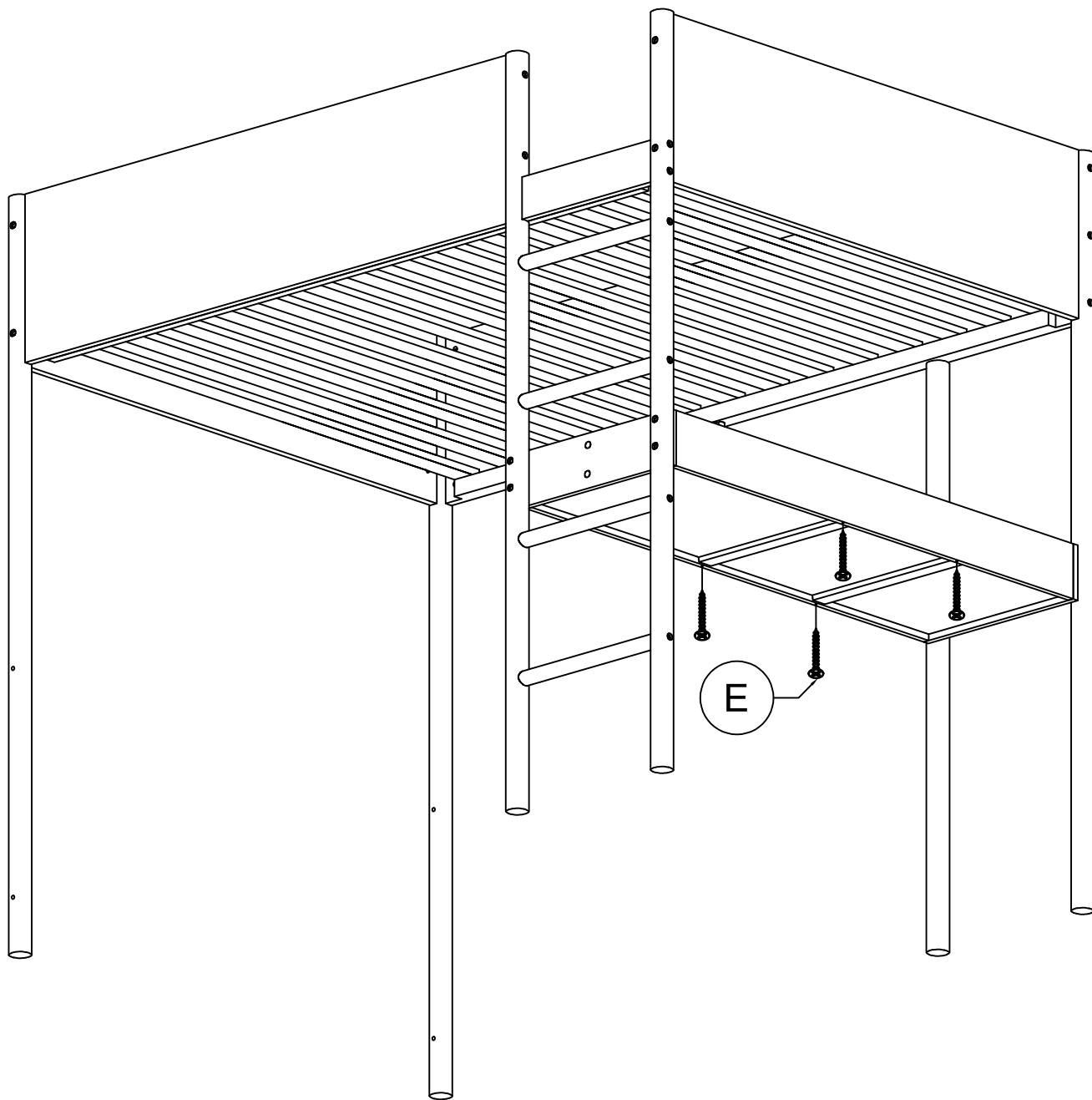

# STEP 10-1: Following below illustration:





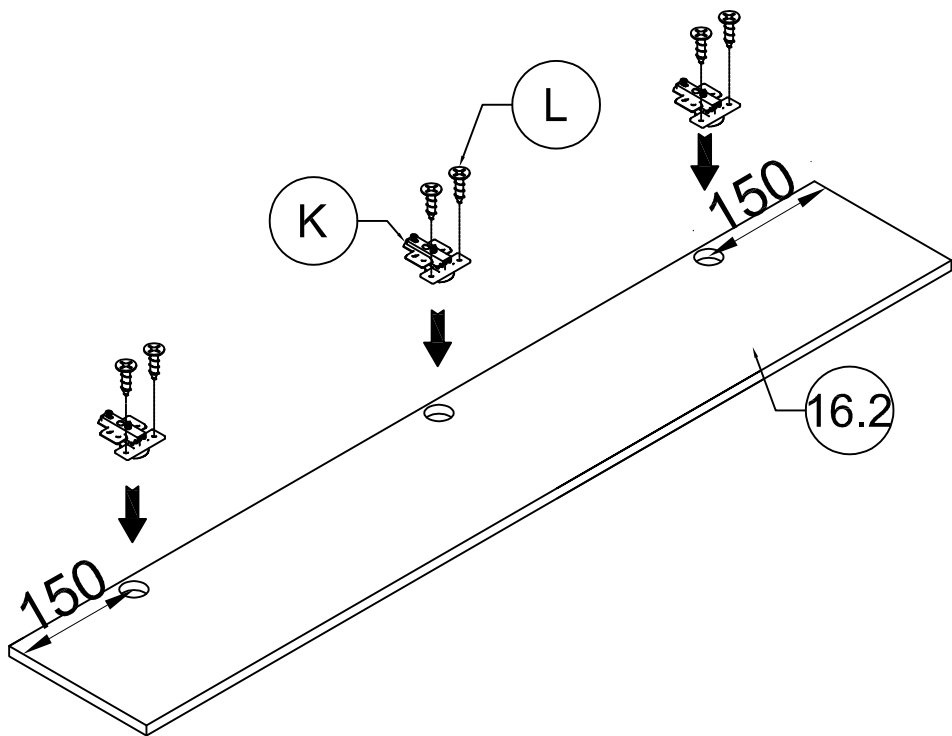
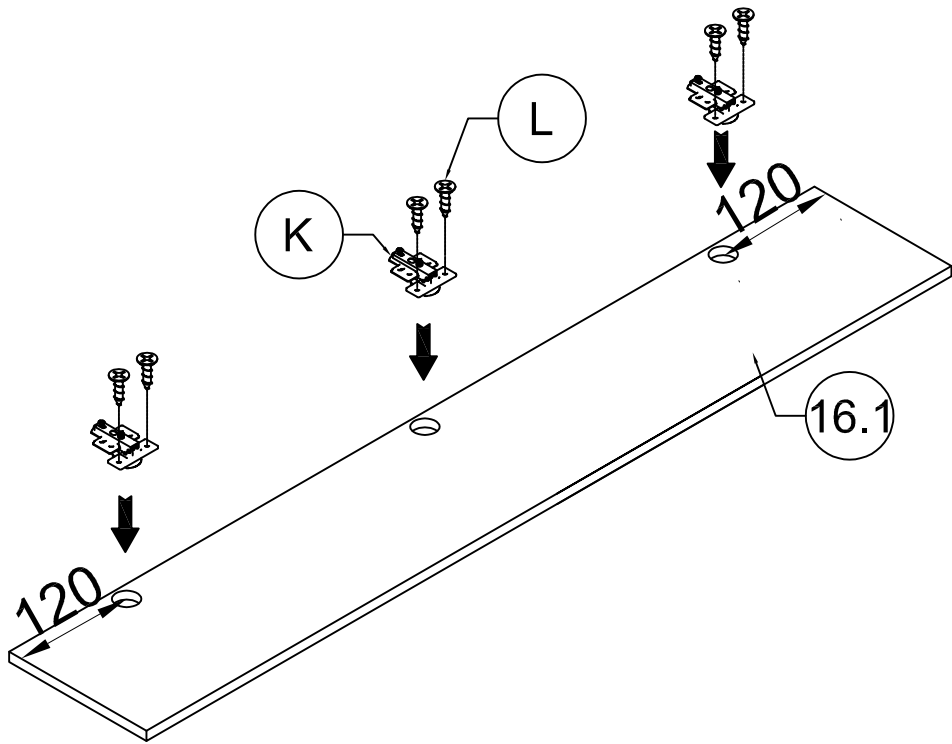
**STEP 10-2:** Following below illustration:

E	4pcs
---	------



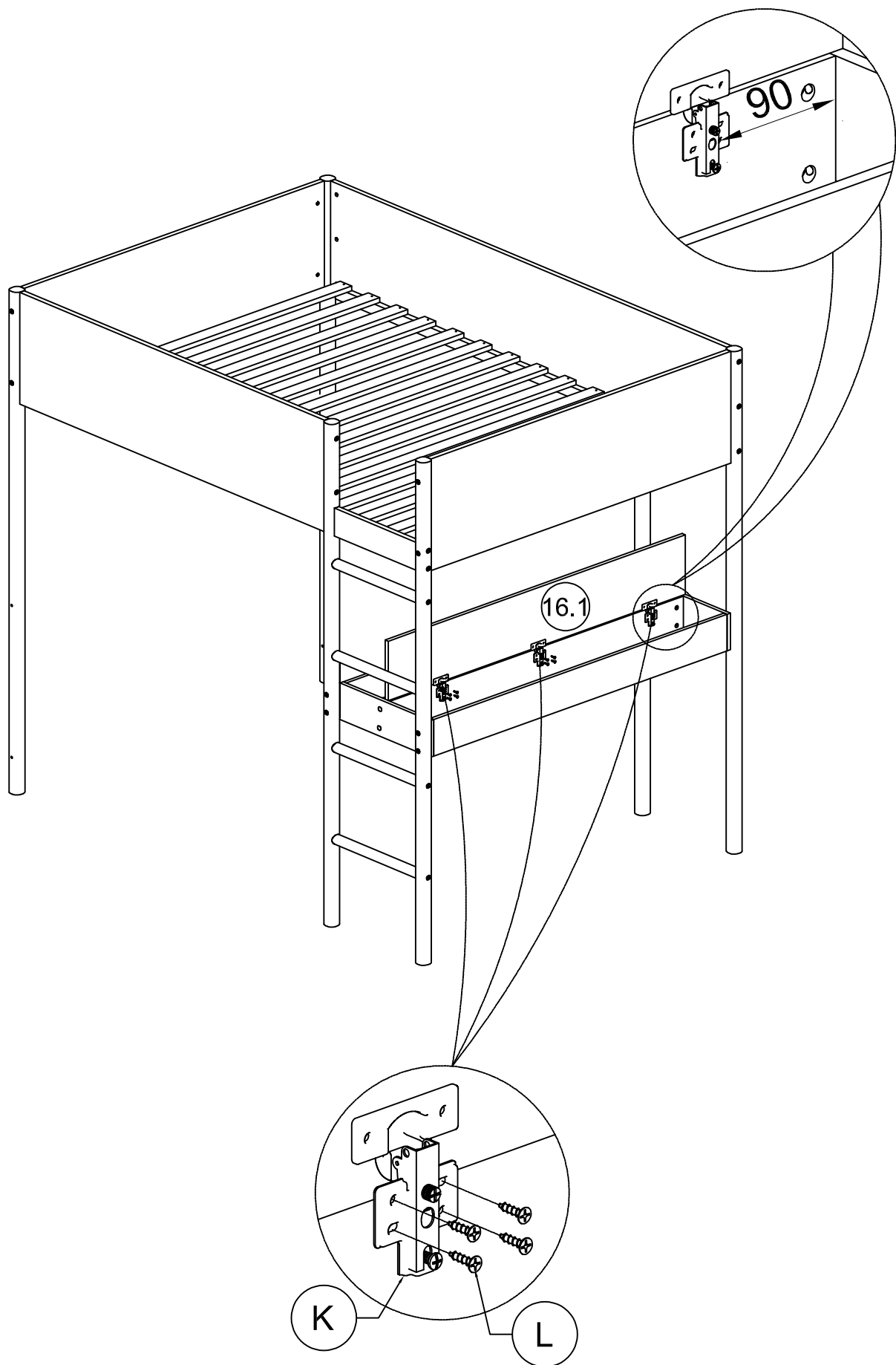
# STEP 11: Following below illustration:

K	L
6pcs	12pcs



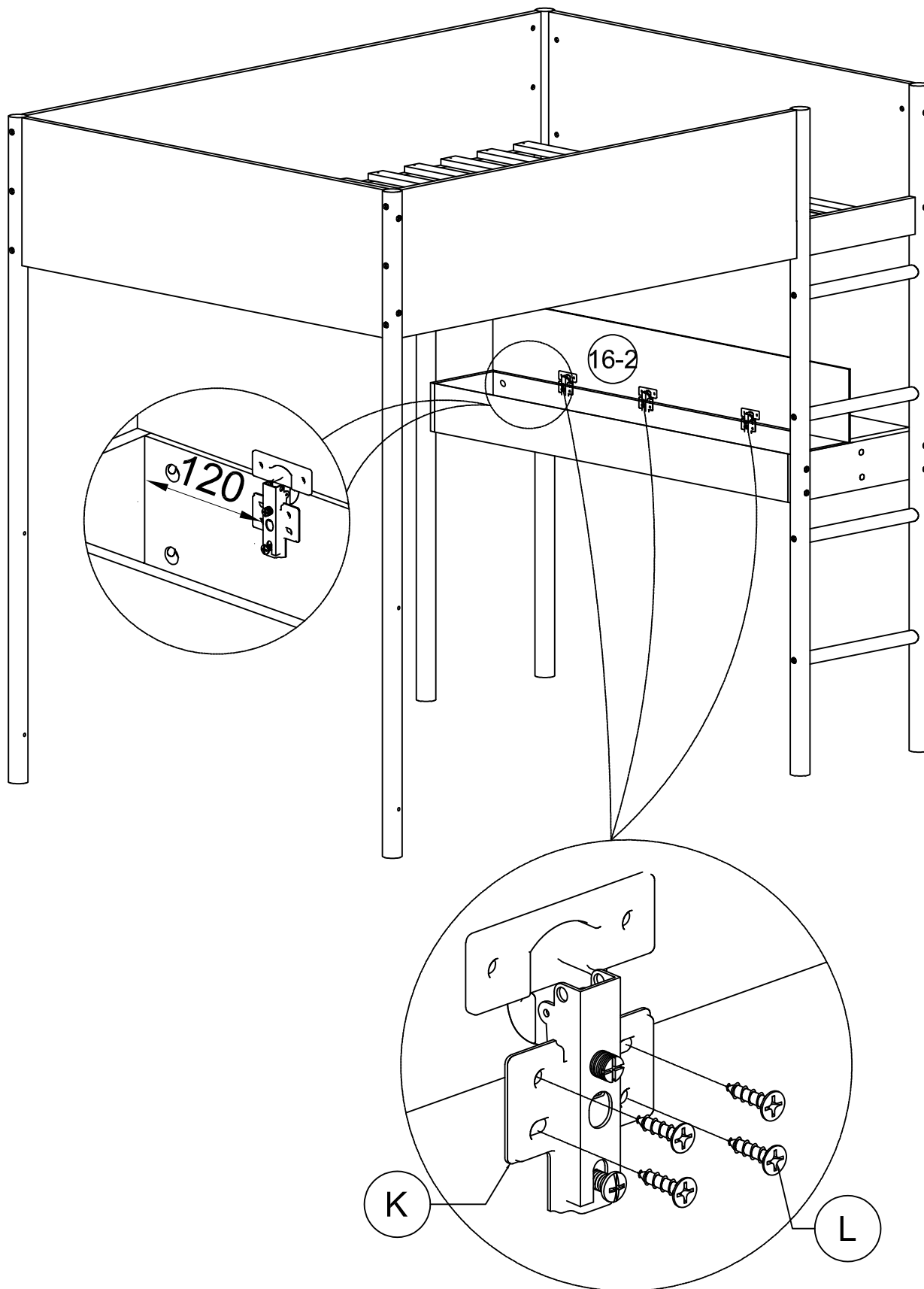
# STEP 12: Following below illustration:

L  
12pcs





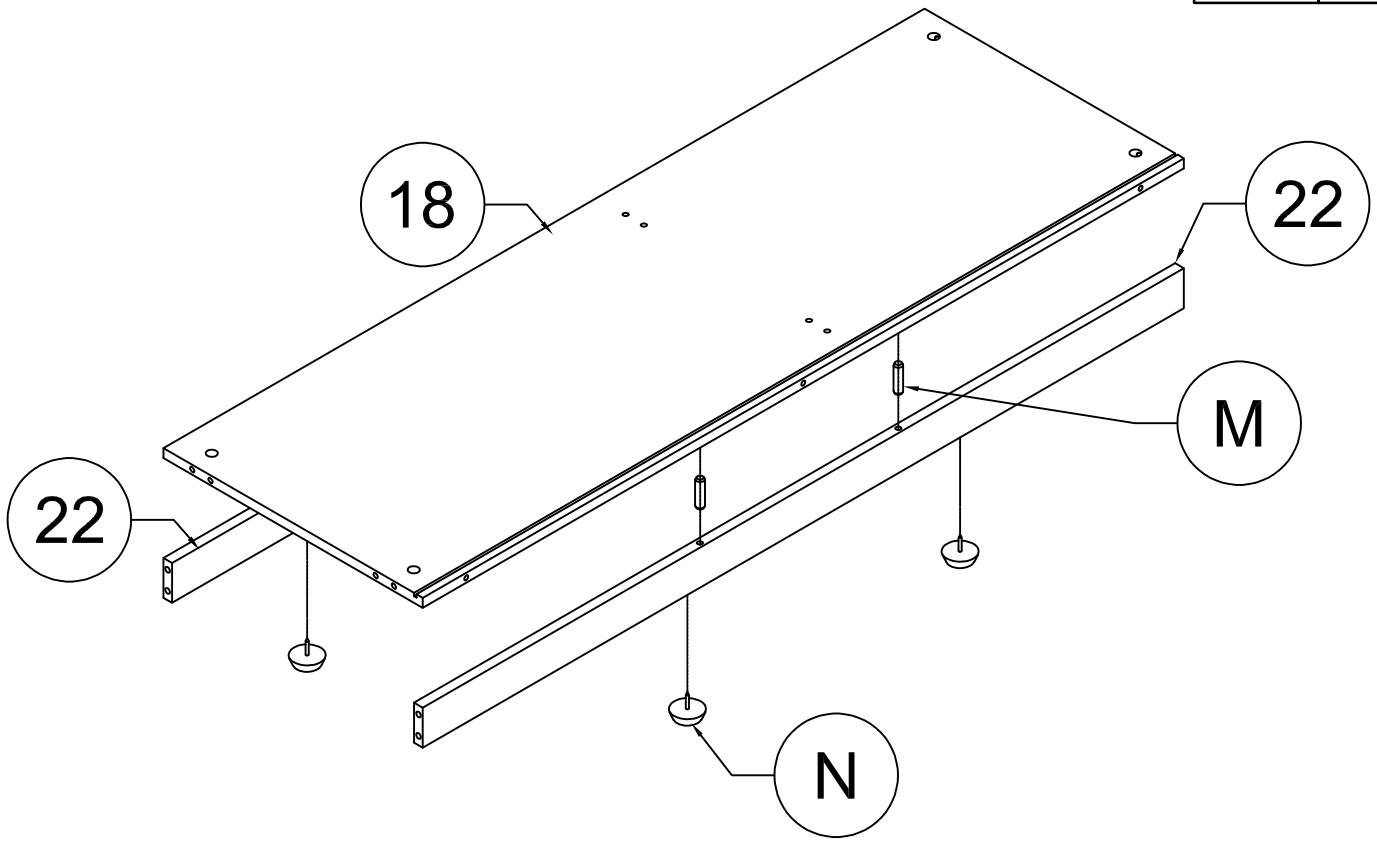
# STEP 13: Following below illustration:

L  
12pcs







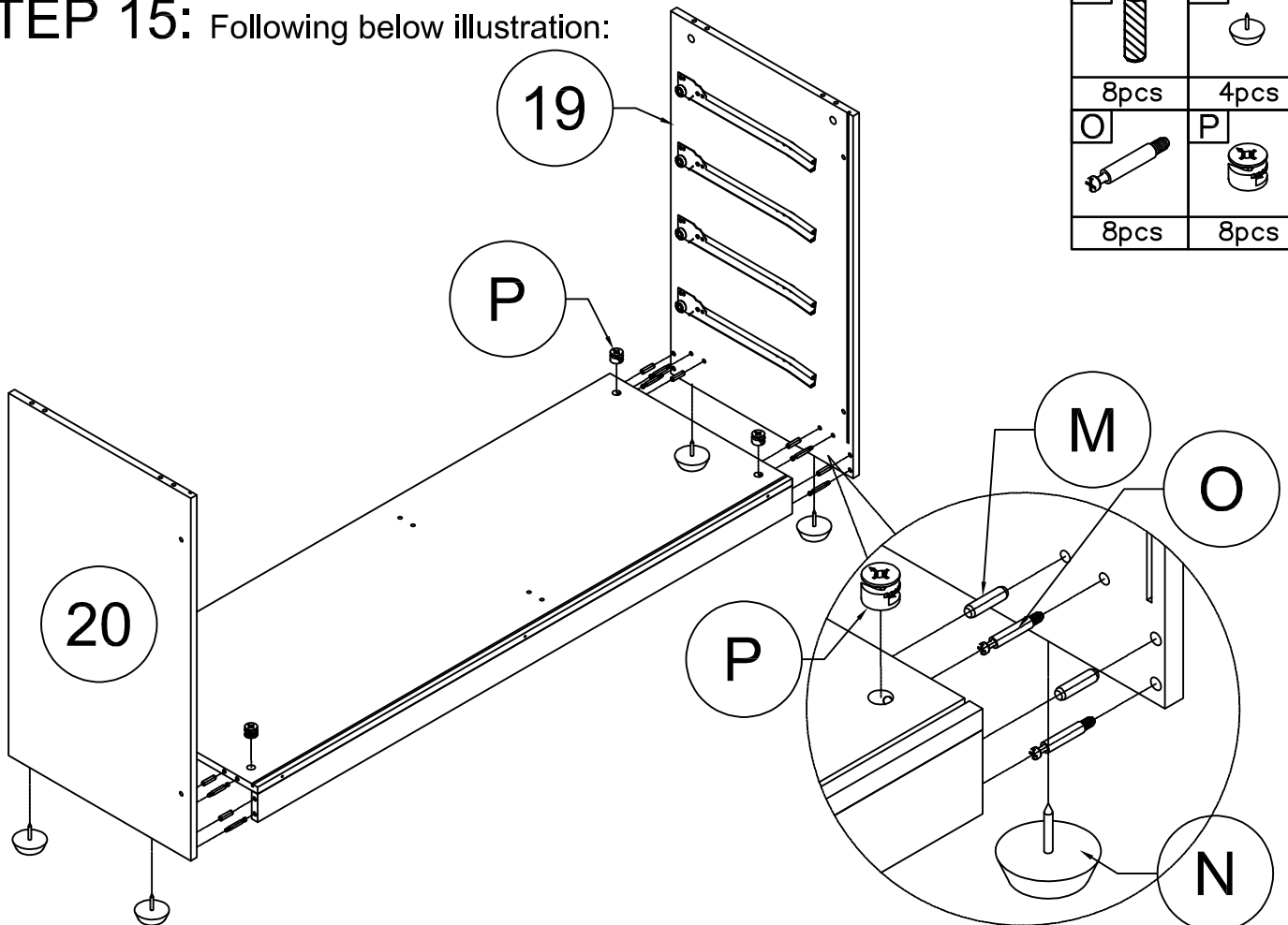
# STEP 14: Following below illustration:

M		N	
	4pcs		4pcs

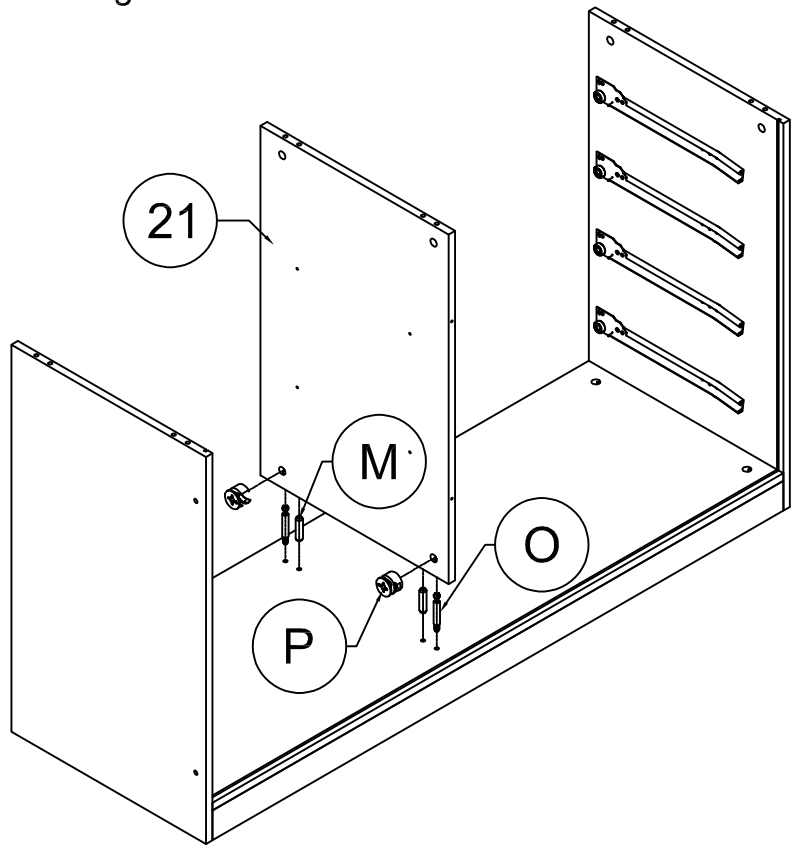





# STEP 15: Following below illustration:

M		N	
	8pcs		4pcs
O		P	
	8pcs		8pcs

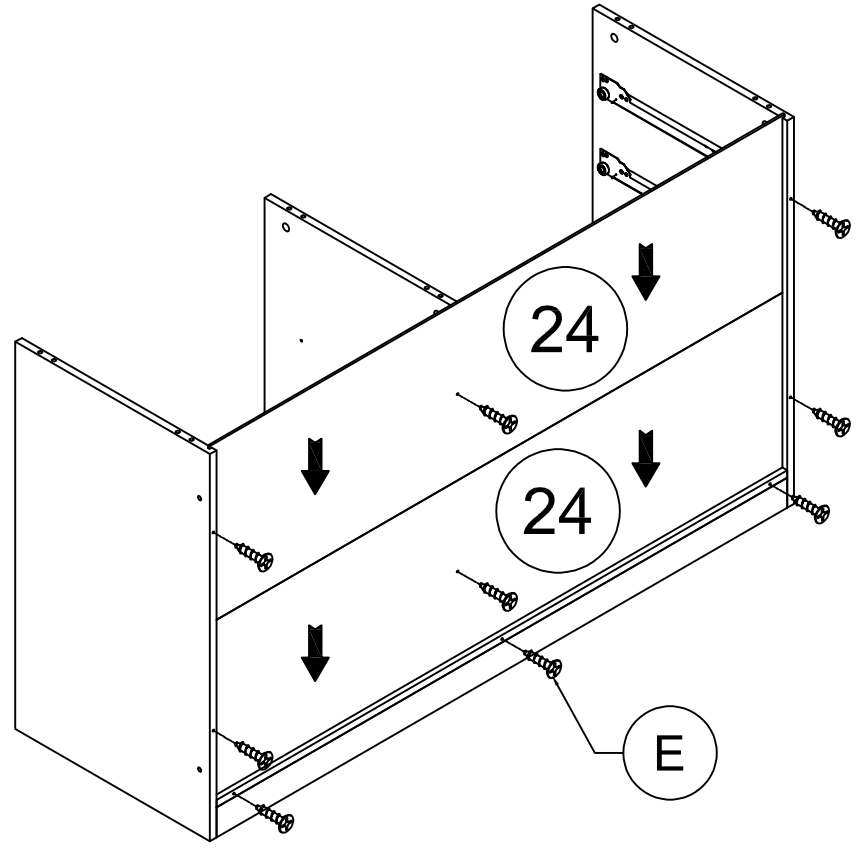



# STEP 16: Following below illustration:



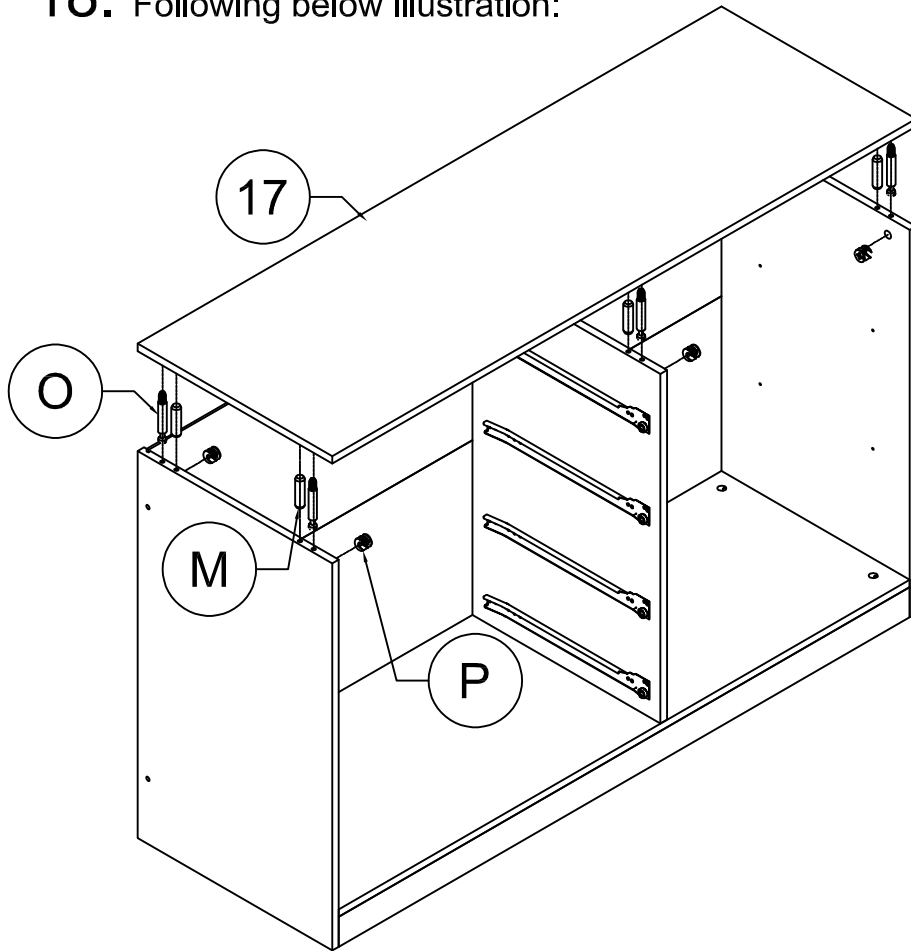
- M**  2pcs
- O**  2pcs
- P**  2pcs




# STEP 17: Following below illustration:



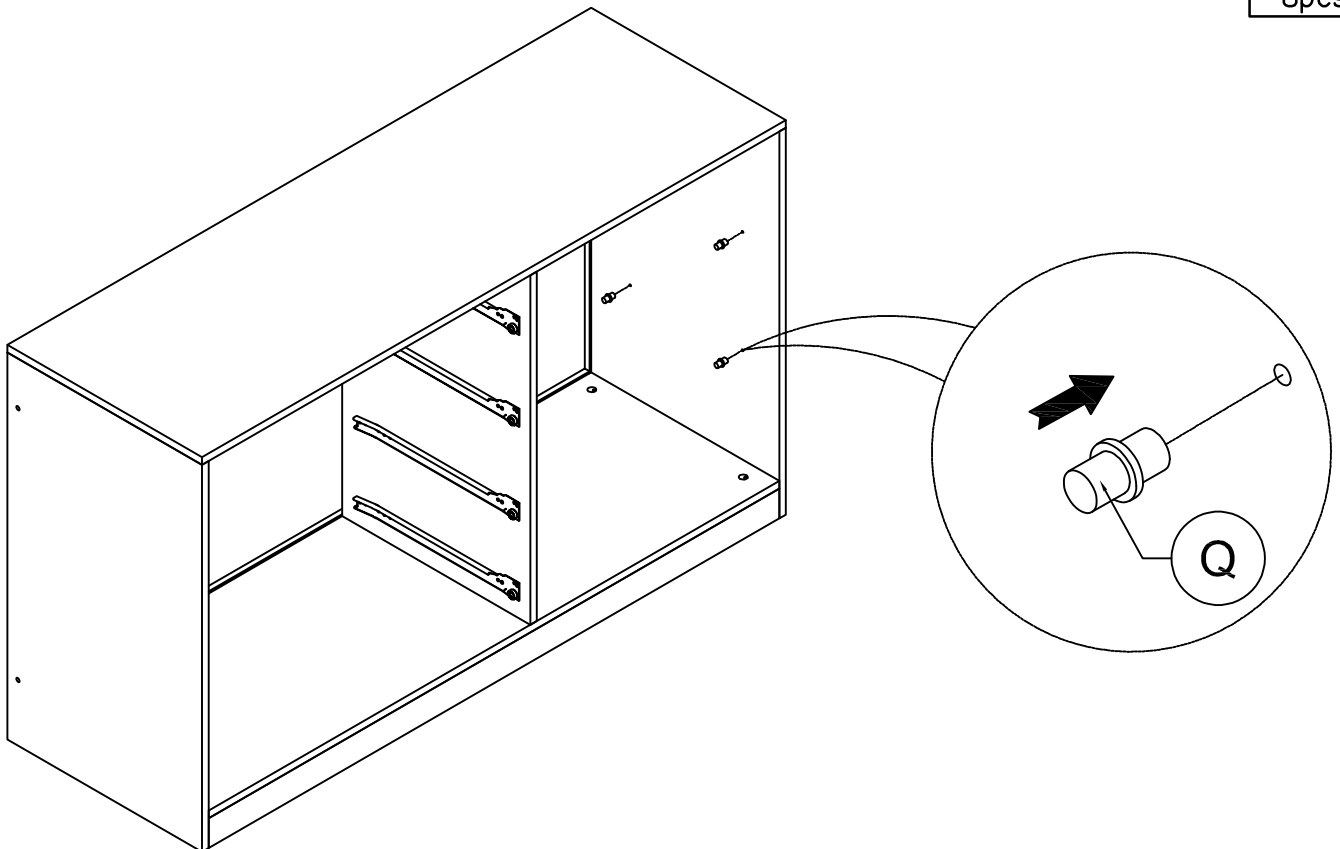
- E**  9pcs

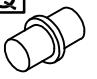
**STEP 18:** Following below illustration:





M	
6pcs	
O	
6pcs	
P	
6pcs	

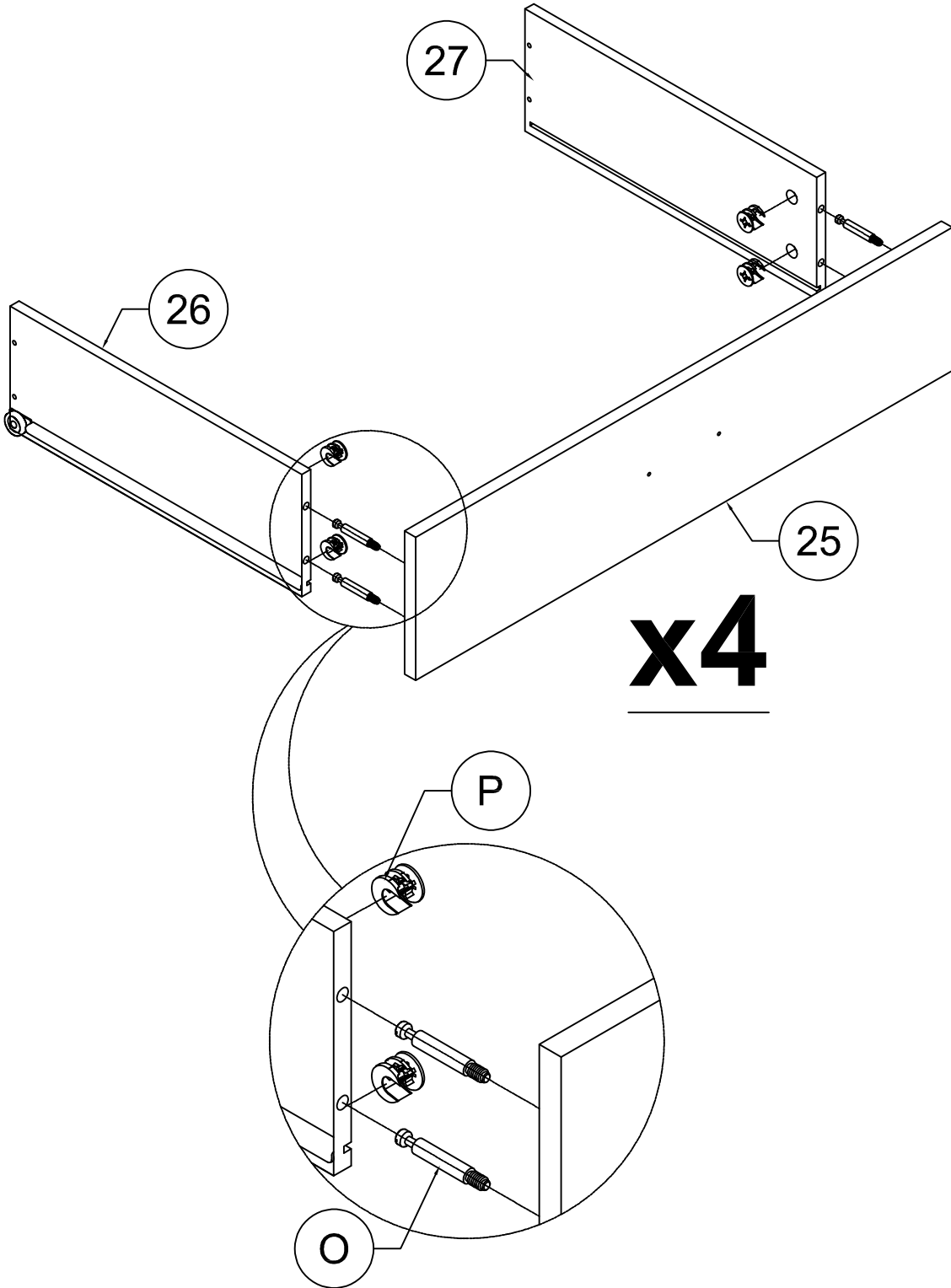
**STEP 19:** Following below illustration:



Q	
8pcs	

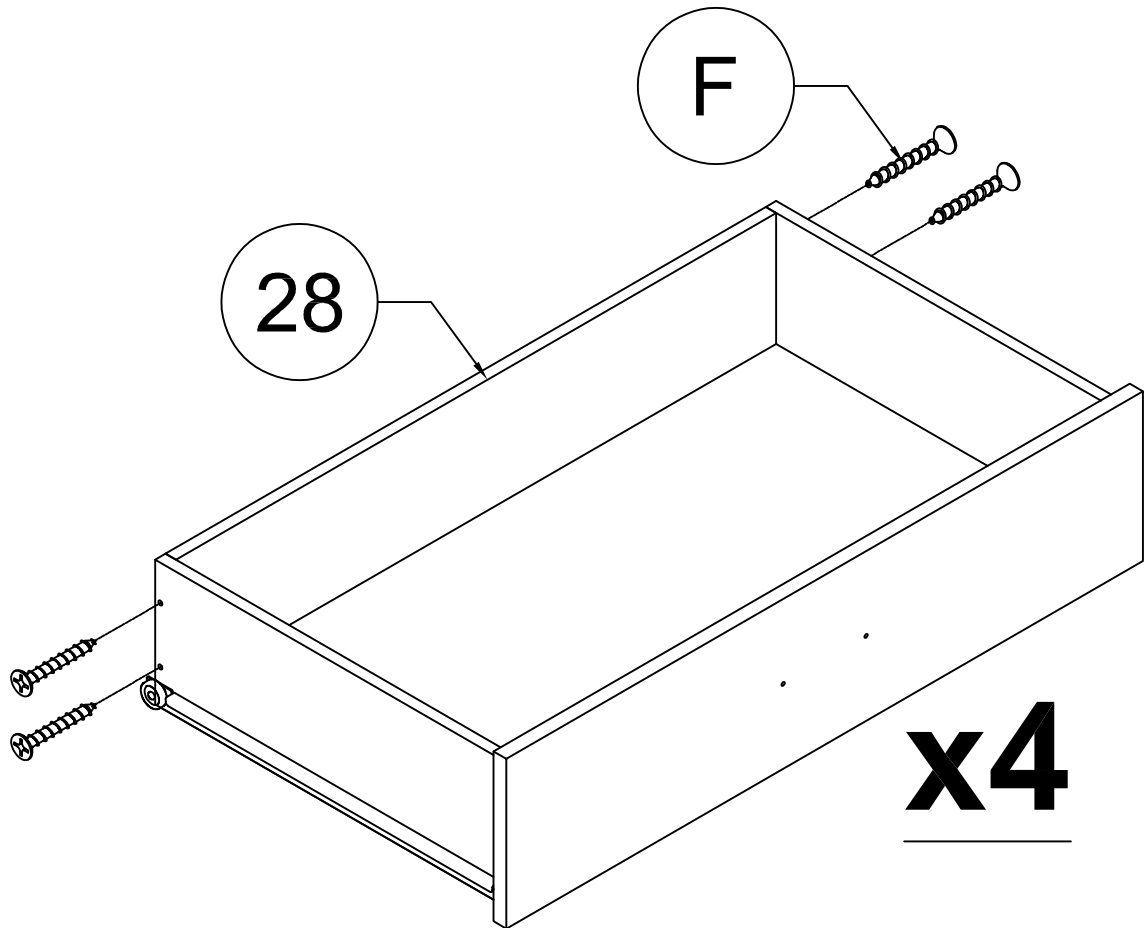
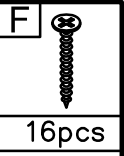
# STEP 20: Following below illustration:

O	
	16pcs
P	
	16pcs

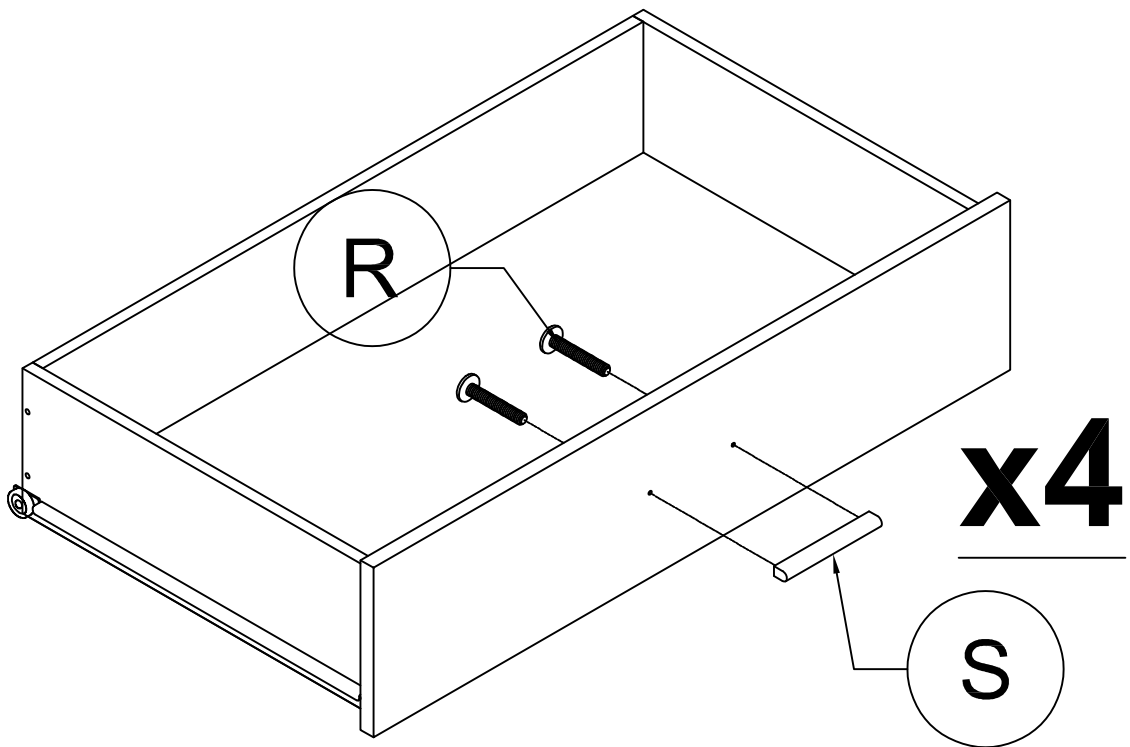
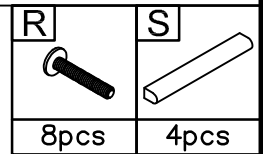




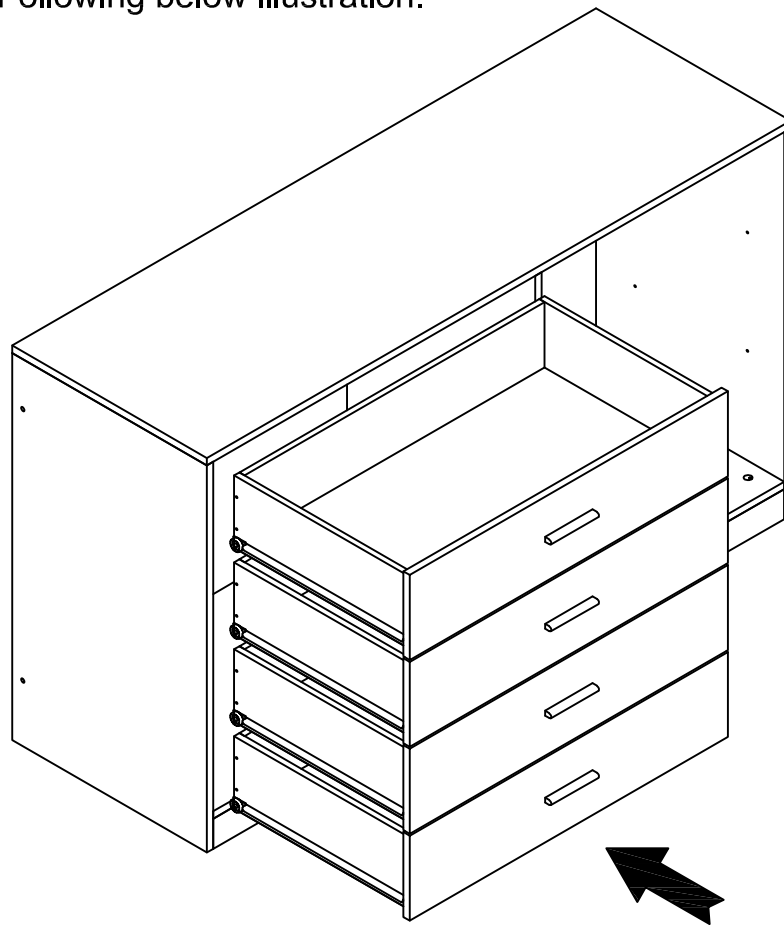
STEP 22: Following below illustration:



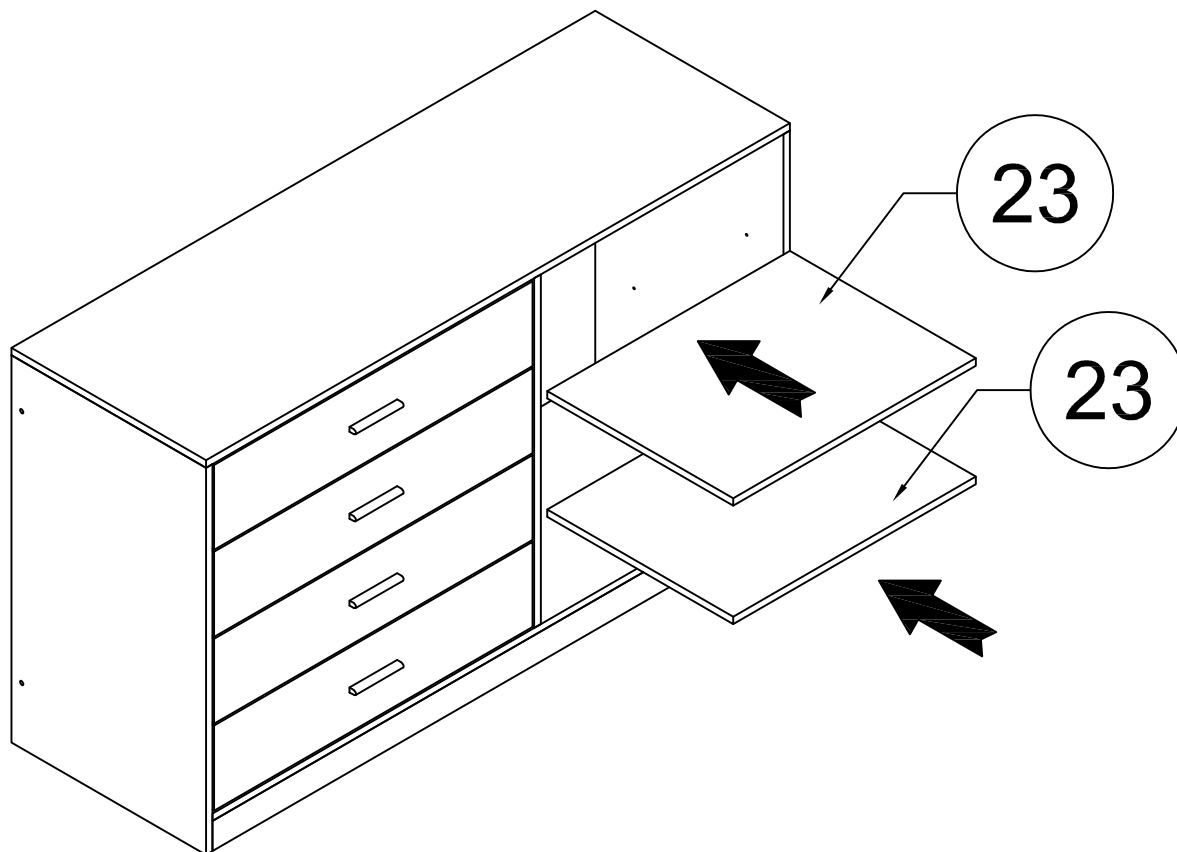
STEP 23: Following below illustration:



**STEP 24:** Following below illustration:



**STEP 25:** Following below illustration:

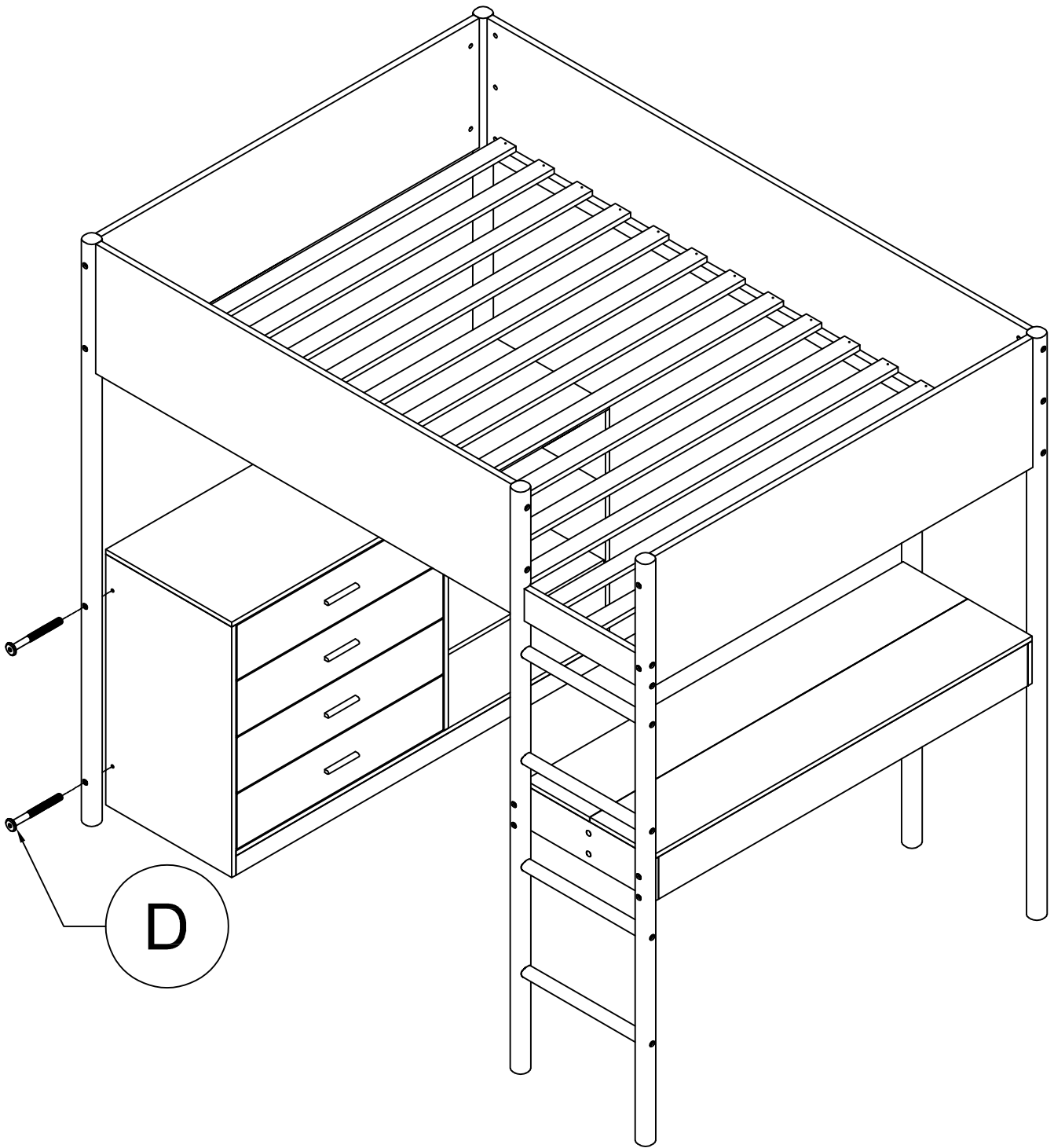


# STEP 26: Following below illustration:

D



4pcs



D

# FINISH

