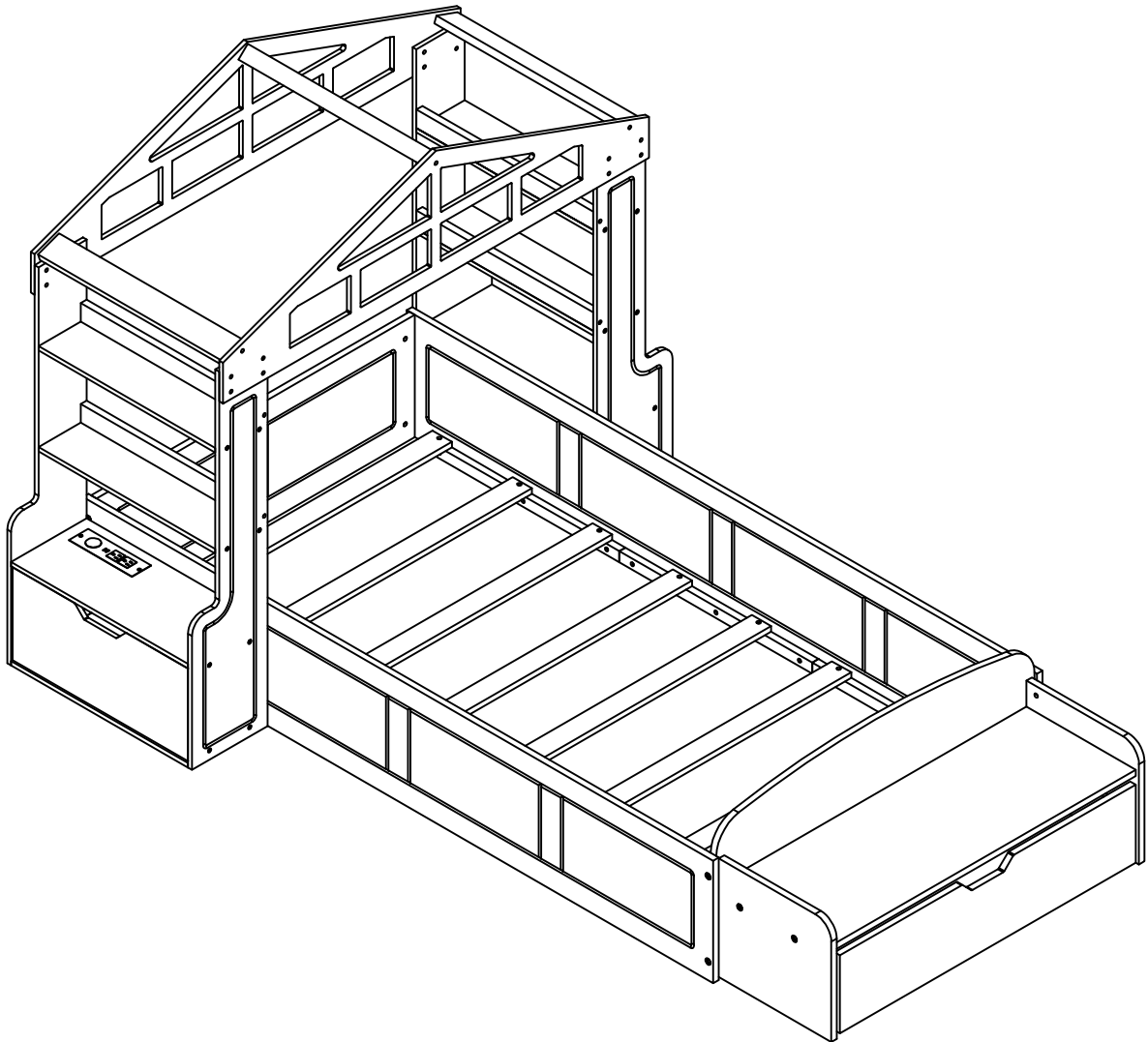
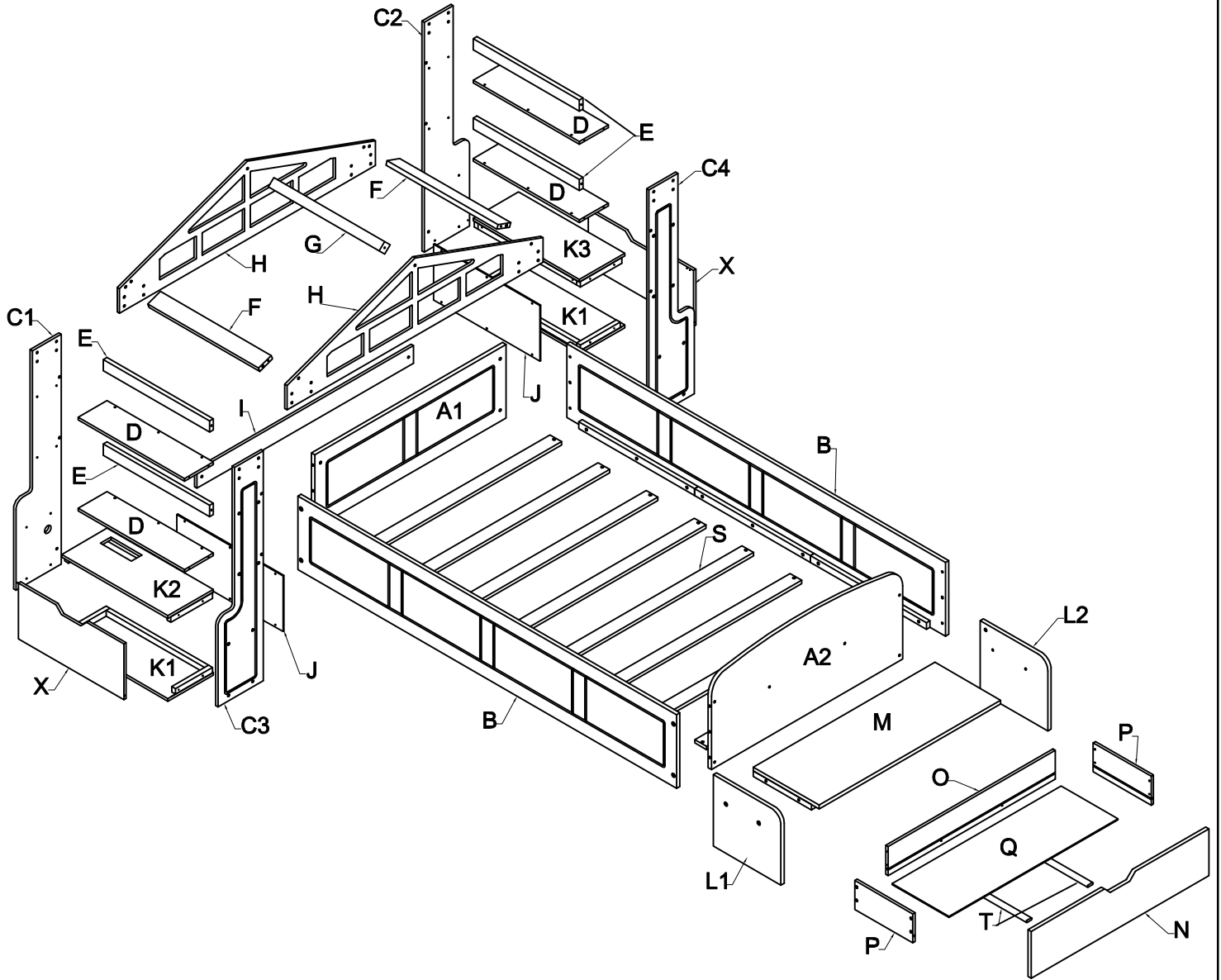


ASSEMBLY INSTRUCTIONS

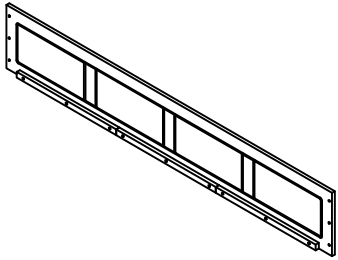
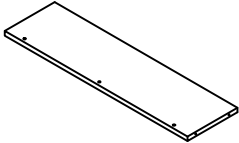
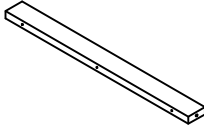
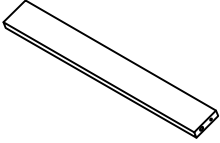
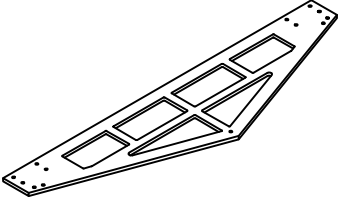
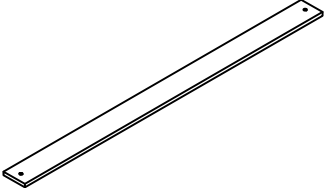
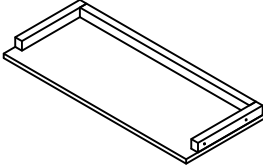
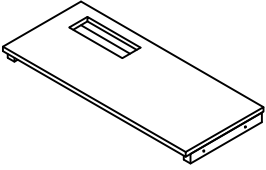
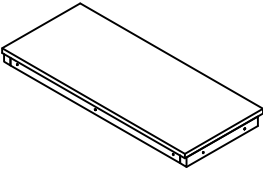
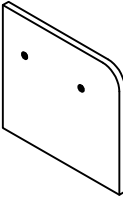
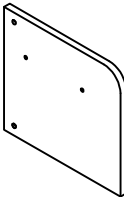
ITEM CODE: WF316148-WF316149



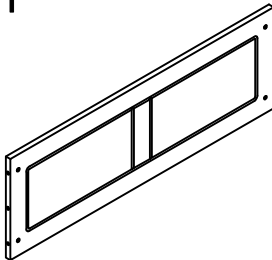
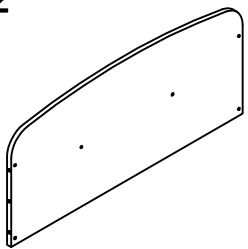
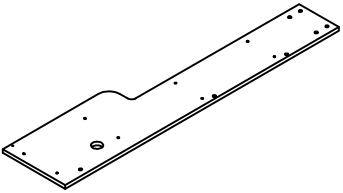
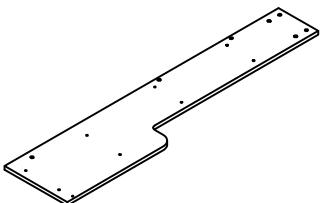
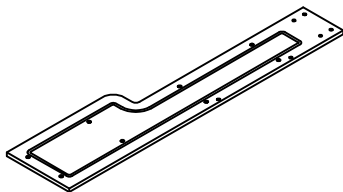
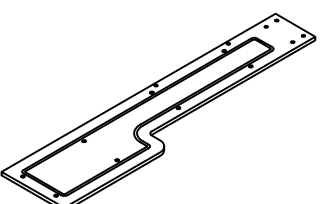
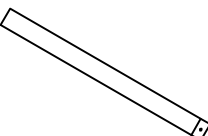
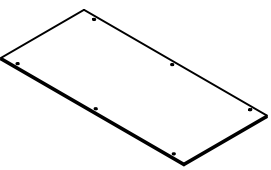
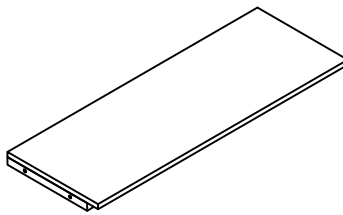
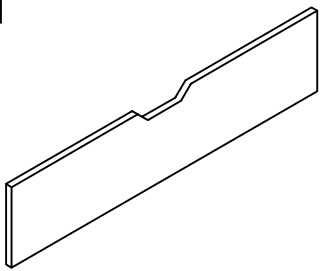
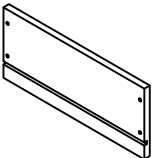
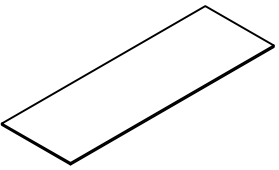
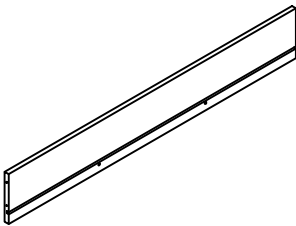
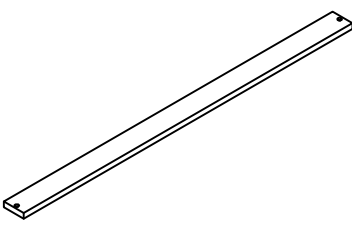
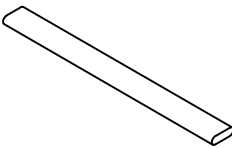
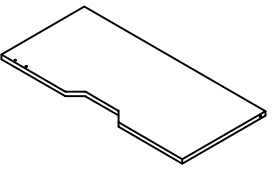
DETAIL VIEW



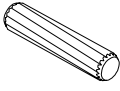

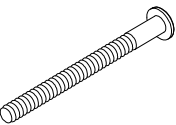
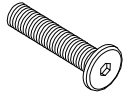
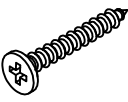


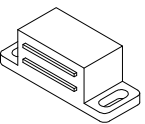
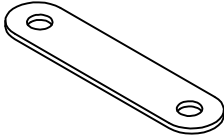
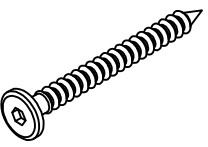
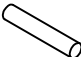
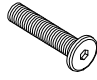
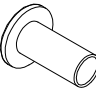
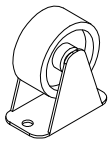
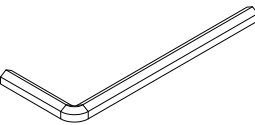
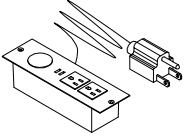
BOX 1: WF316148

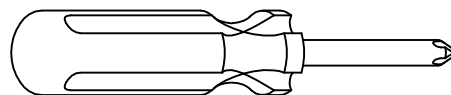
<p>B</p>  <p>Side rail frame -(2pcs)</p>	<p>D</p>  <p>Shelf of cabinet -(4pcs)</p>	<p>E</p>  <p>Horizontal rail - (4pc)</p>	<p>F</p>  <p>Roof bar - (2pcs)</p>
<p>H</p>  <p>Roof frame - (2pcs)</p>	<p>I</p>  <p>Horizontal rail - back (1pc)</p>	<p>K1</p>  <p>Shelf 1 of cabinet - (2pcs)</p>	<p>K2</p>  <p>Shelf 2 of cabinet - (1pc)</p>
<p>K3</p>  <p>Shelf 3 of cabinet - (1pc)</p>	<p>L1</p>  <p>Left leg of bench - (1pc)</p>	<p>L2</p>  <p>Right leg of bench - (1pc)</p>	

BOX 2: WF316149

<p>A1</p>  <p>Headboard - (1pc)</p>	<p>A2</p>  <p>Footboard bed - (1pc)</p>	<p>C1</p>  <p>left side shelf Back side shelf - left (1pc)</p>	<p>C2</p>  <p>Back side shelf - right (1pc)</p>
<p>C3</p>  <p>Left front shelf - (1pc)</p>	<p>C4</p>  <p>Right front shelf - (1pc)</p>	<p>G</p>  <p>Middle roof bar - (1pc)</p>	<p>J</p>  <p>Back panel of shelf - (2pcs)</p>
<p>M</p>  <p>Bench seat frame - (1pcs)</p>	<p>N</p>  <p>Front of drawer - (1pc)</p>	<p>P</p>  <p>Side drawers - (2pcs)</p>	<p>Q</p>  <p>Bottom drawers - (1pc)</p>
<p>O</p>  <p>Back drawers - (1pc)</p>	<p>S</p>  <p>Slats - (8pcs)</p>	<p>T</p>  <p>Support drawers - (2pcs)</p>	<p>X</p>  <p>Door - (2pcs)</p>

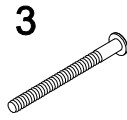
HARDWARE LIST: WF316148

<p>1</p>  <p>Wood dowel Ø8 * 30 - 8pcs</p>	<p>2</p>  <p>Horizontal - Hold bolts Ø1/4" - 12pcs</p>	<p>3</p>  <p>Hex - Head bolts Ø1/4" * 60 - 12pcs</p>	<p>4</p>  <p>Hex - Head bolts Ø1/4" * 35 - 6pcs</p>
<p>5</p>  <p>Wood crews M4 * 25 - 70pcs</p>	<p>6</p>  <p>Round wood crews M3.5 * 15 - 24pcs</p>	<p>7</p>  <p>Wood crews M3.5 * 12 - 6pcs</p>	<p>8</p>  <p>Magnet - 2pcs</p>
<p>9</p>  <p>Mending plate - 2pcs</p>	<p>10</p>  <p>Hexagonal bolts catch wood Ø1/4" * 40 - 14pcs</p>	<p>11</p>  <p>Steel dowel Ø3 * 17 - 4pcs</p>	<p>12</p>  <p>Hex - Head bolts Ø1/4" * 20 - 18pcs</p>
<p>13</p>  <p>Canopy head though Ø1/4" - 18pcs</p>	<p>14</p>  <p>Wheel 4pcs</p>	<p>15</p>  <p>Allen key K4 - 2pcs</p>	<p>16</p>  <p>Wireless charging outlet</p>



Assembly Tools Required (Not Included)

STEP 1



Hex - Head bolts
Ø1/4" * 60 - 8pcs

2

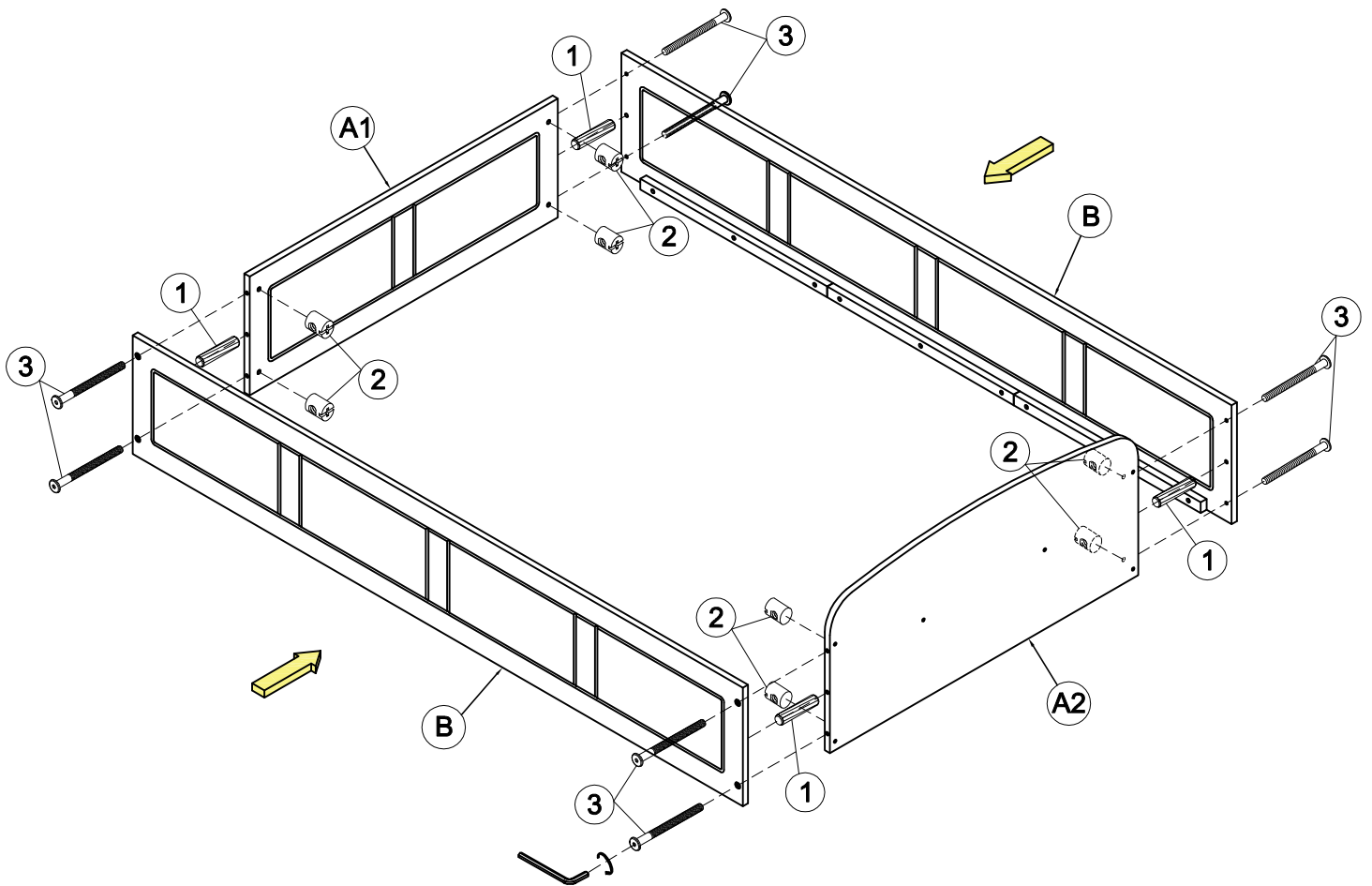


Horizontal - Hold bolts
Ø1/4" - 8pcs

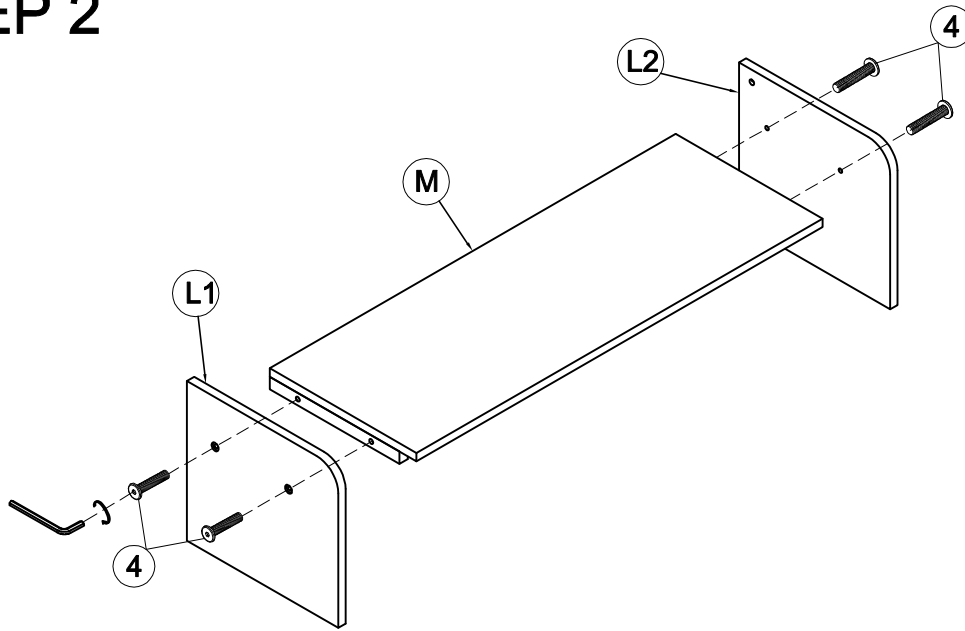
1



Wood dowel
Ø8 * 30 - 4pcs



STEP 2

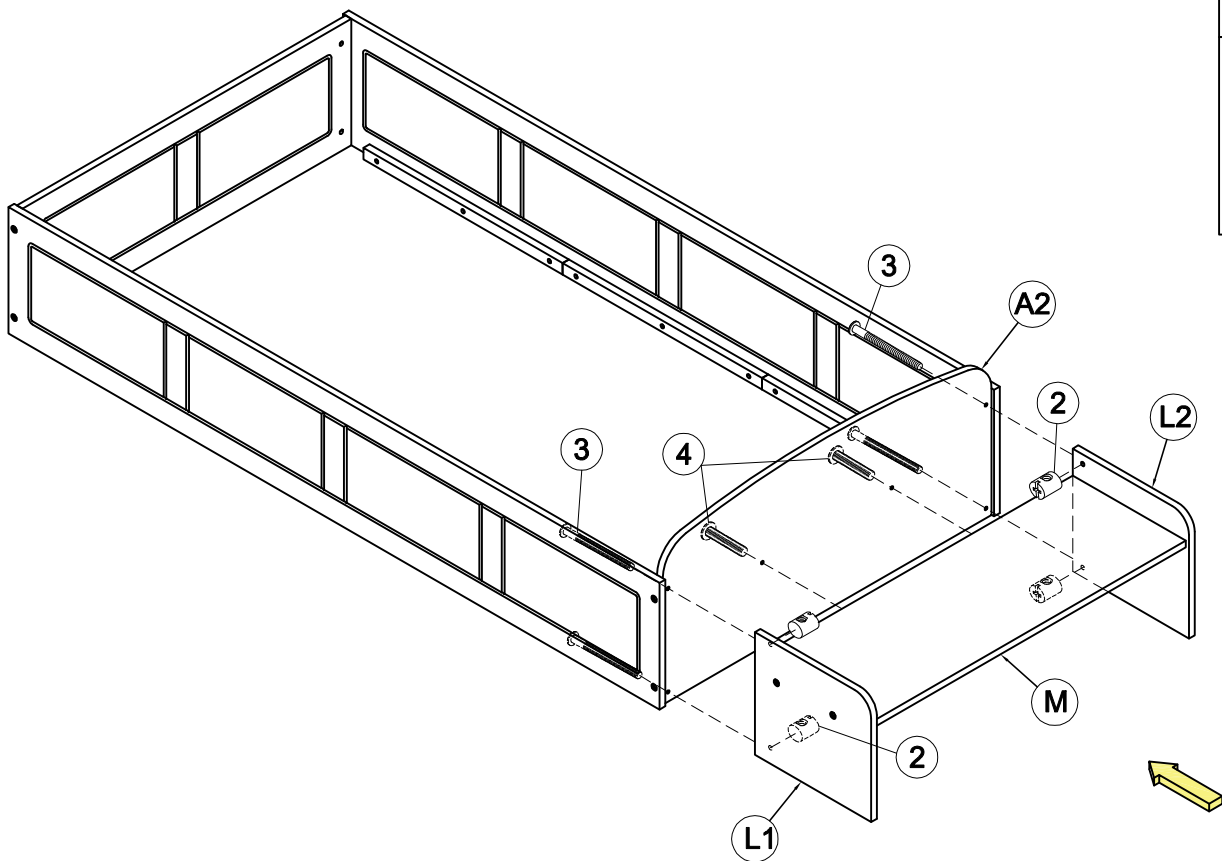


4



Hex - Head bolts
Ø1/4" * 30 - 4pcs

STEP 3

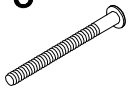


2



Horizontal - Hold bolts
Ø1/4" - 4pcs

3



Hex - Head bolts
Ø1/4" * 60 - 4pcs

4

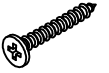


Hex - Head bolts
Ø1/4" * 35 - 2pcs

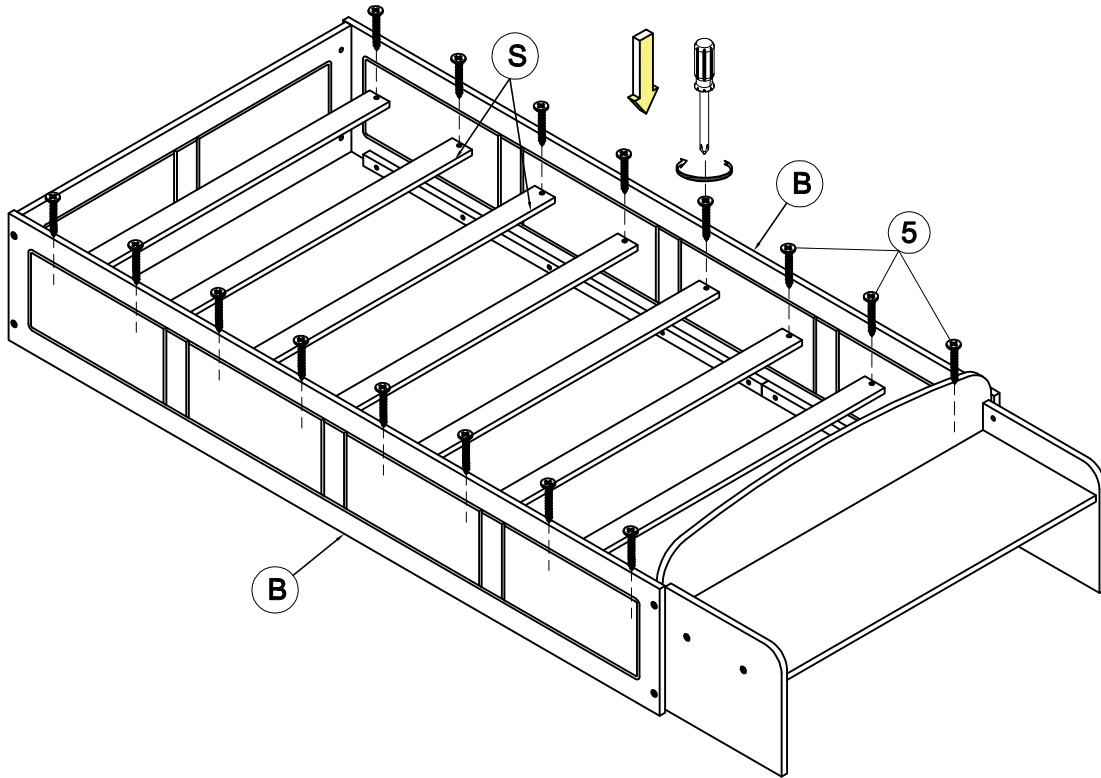


STEP 4

5



Wood crews
M4 * 25 - 16pcs

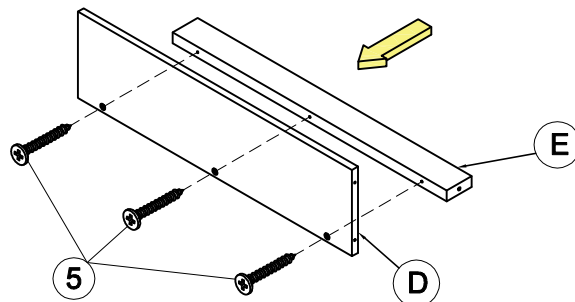


STEP 5

5



Wood crews
M4 * 25 - 12pcs



X4

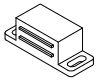
STEP 6

6

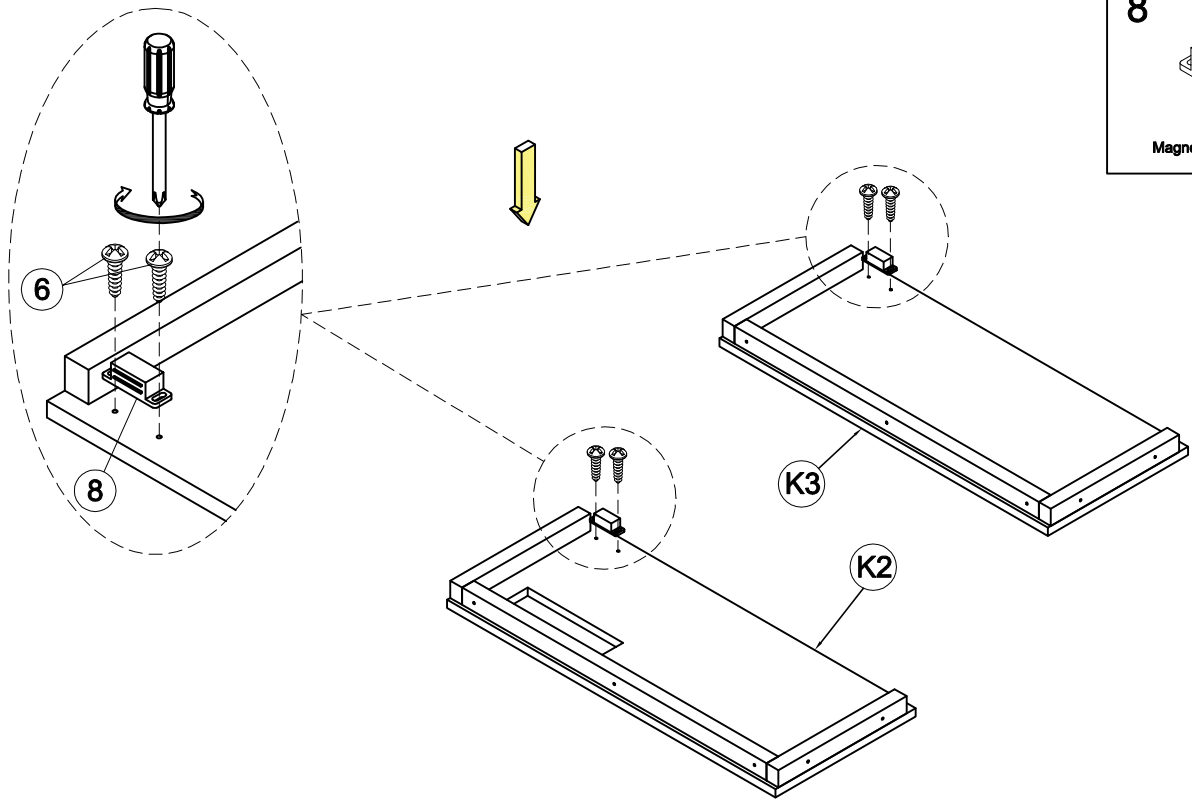


Round wood crews
M3.5 * 15 - 4pcs

8



Magnet - 2pcs



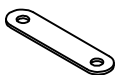
STEP 7

7

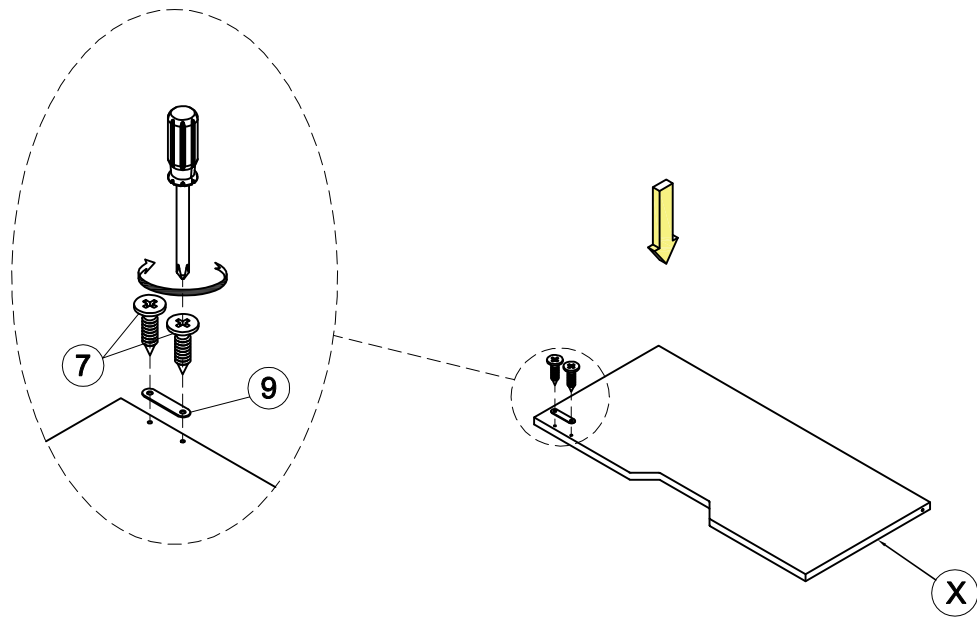


Wood crews
M3.5 * 12 - 4pcs

9

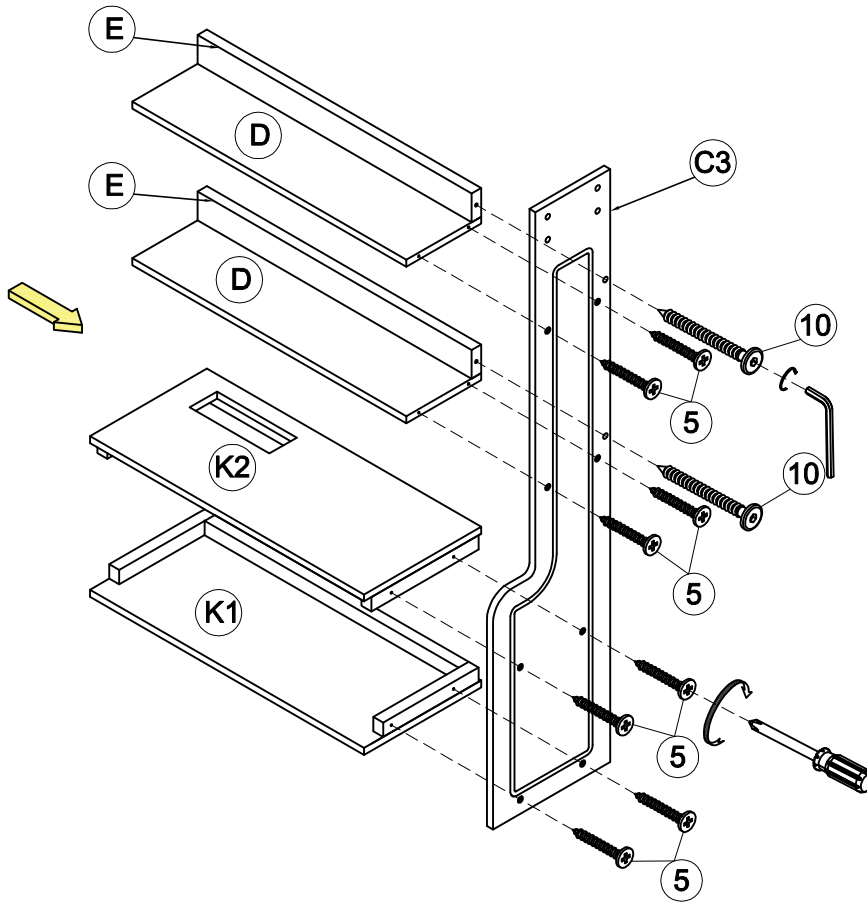


Mending plate - 2pcs



X2

STEP 8



5



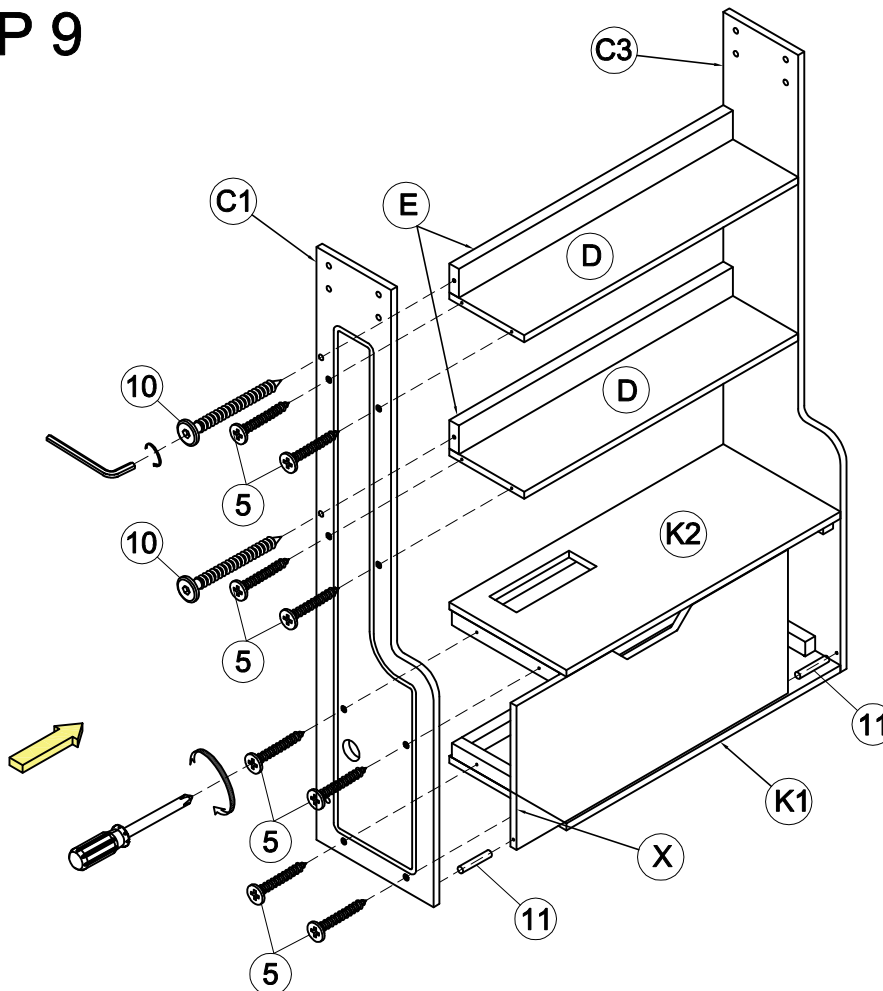
Wood screws
M4 * 25 - 8pcs

10



Hexagonal bolts catch wood
Ø1/4" * 40 - 2pcs

STEP 9



5



Wood screws
M4 * 25 - 8pcs

10



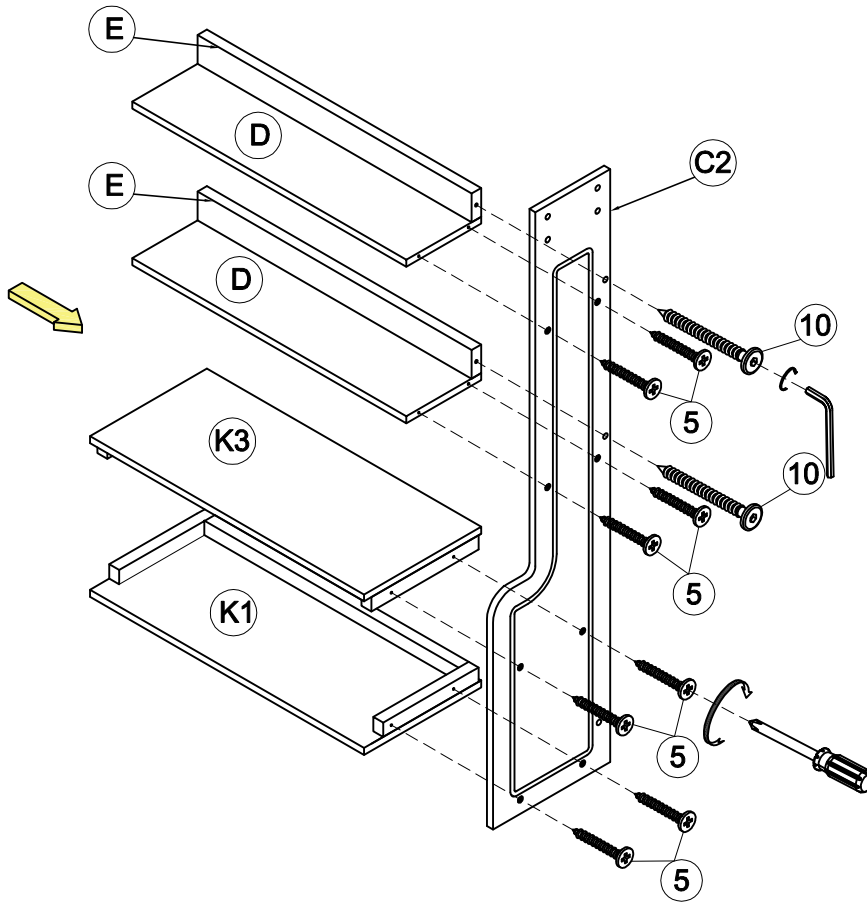
Hexagonal bolts catch wood
Ø1/4" * 40 - 2pcs

11

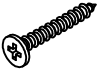


Steel dowel
Ø3 * 17 - 2pcs

STEP 10



5



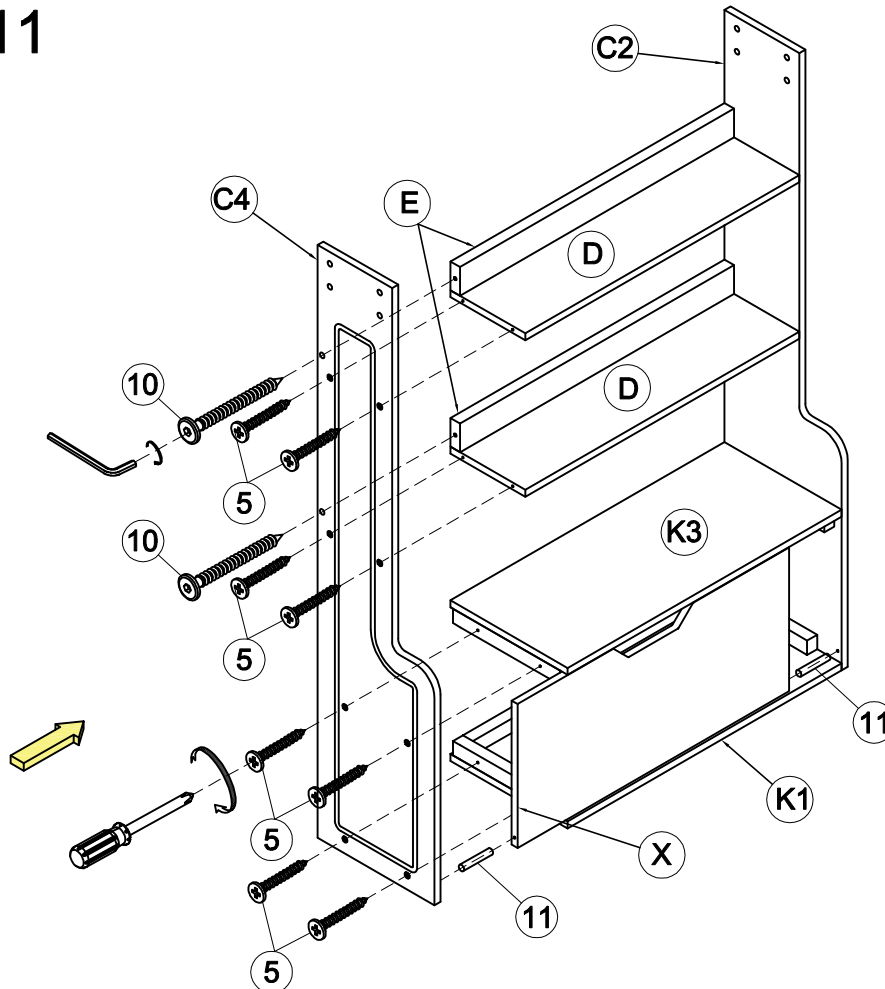
Wood crews
M4 * 25 - 8pcs

10



Hexagonal bolts catch wood
Ø1/4" * 40 - 2pcs

STEP 11



5



Wood crews
M4 * 25 - 8pcs

10



Hexagonal bolts catch wood
Ø1/4" * 40 - 2pcs

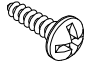
11



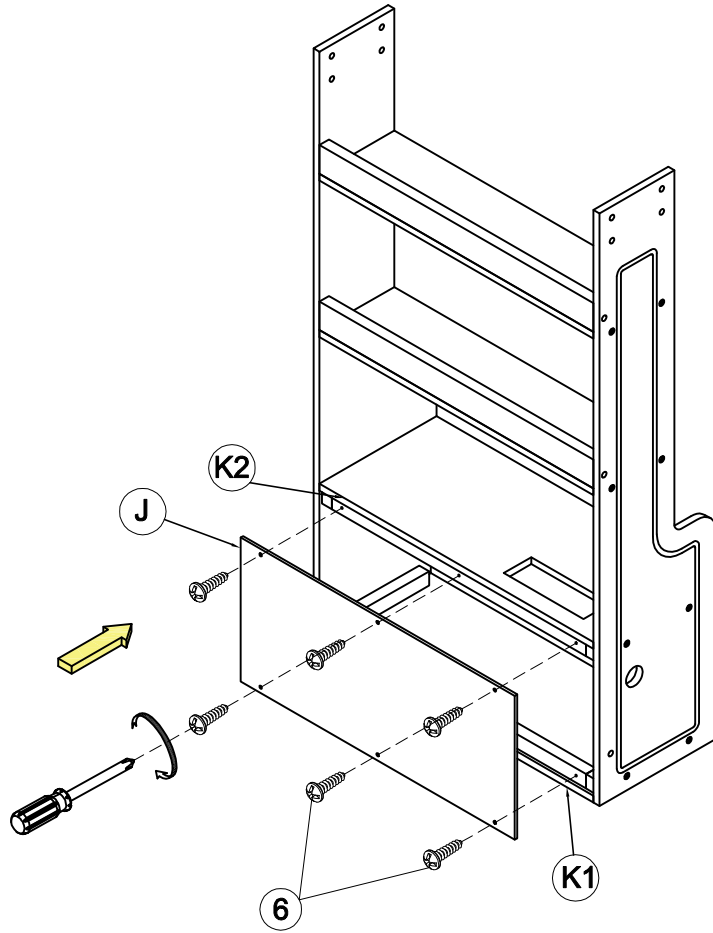
Steel dowel
Ø3 * 17 - 2pcs

STEP 12

6

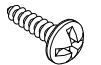


Round wood crews
M3.5 * 15 - 6pcs

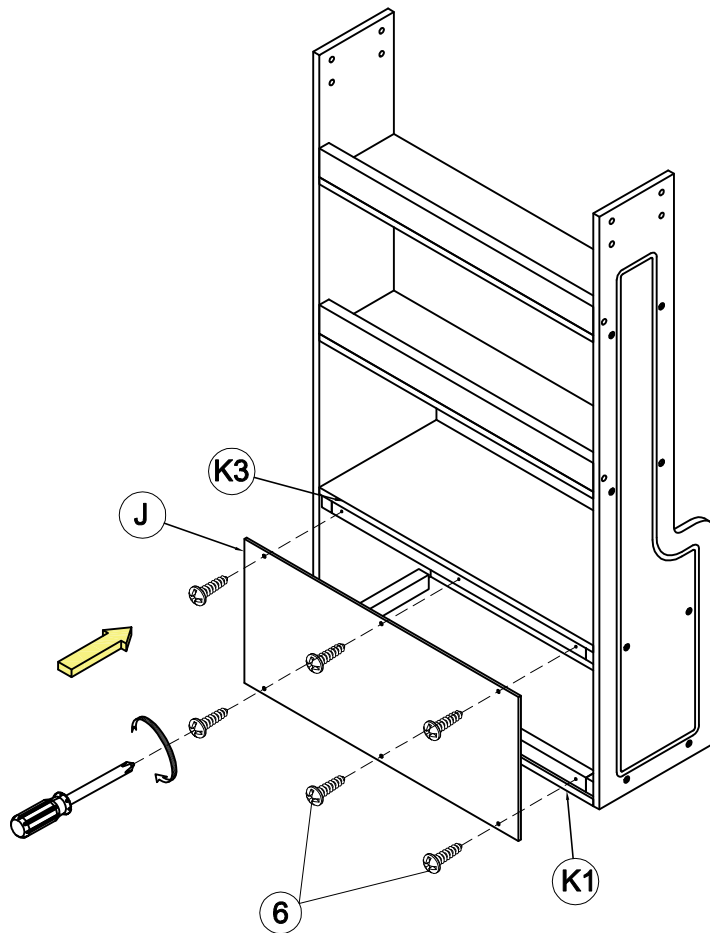


STEP 13

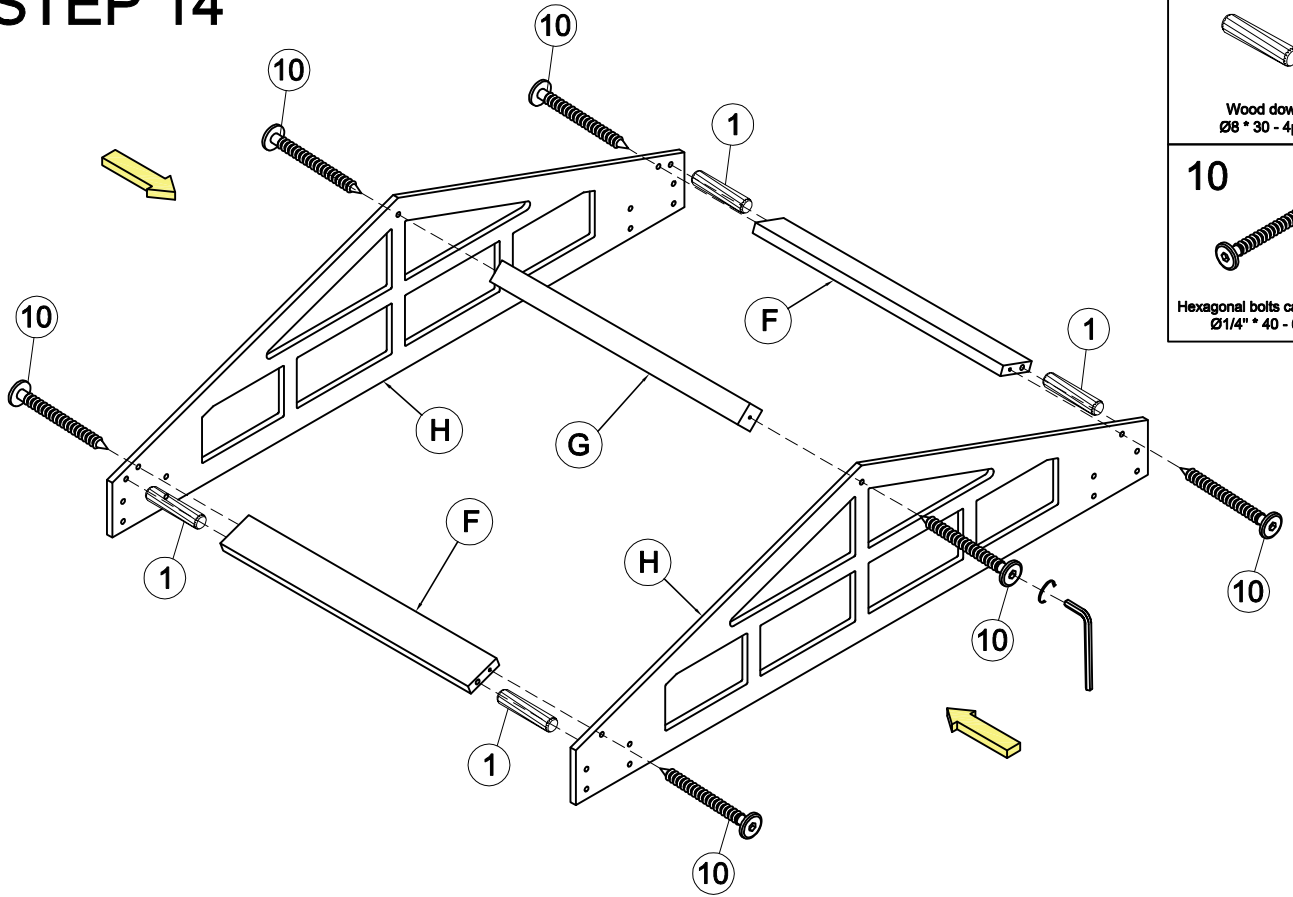
6



Round wood crews
M3.5 * 15 - 6pcs

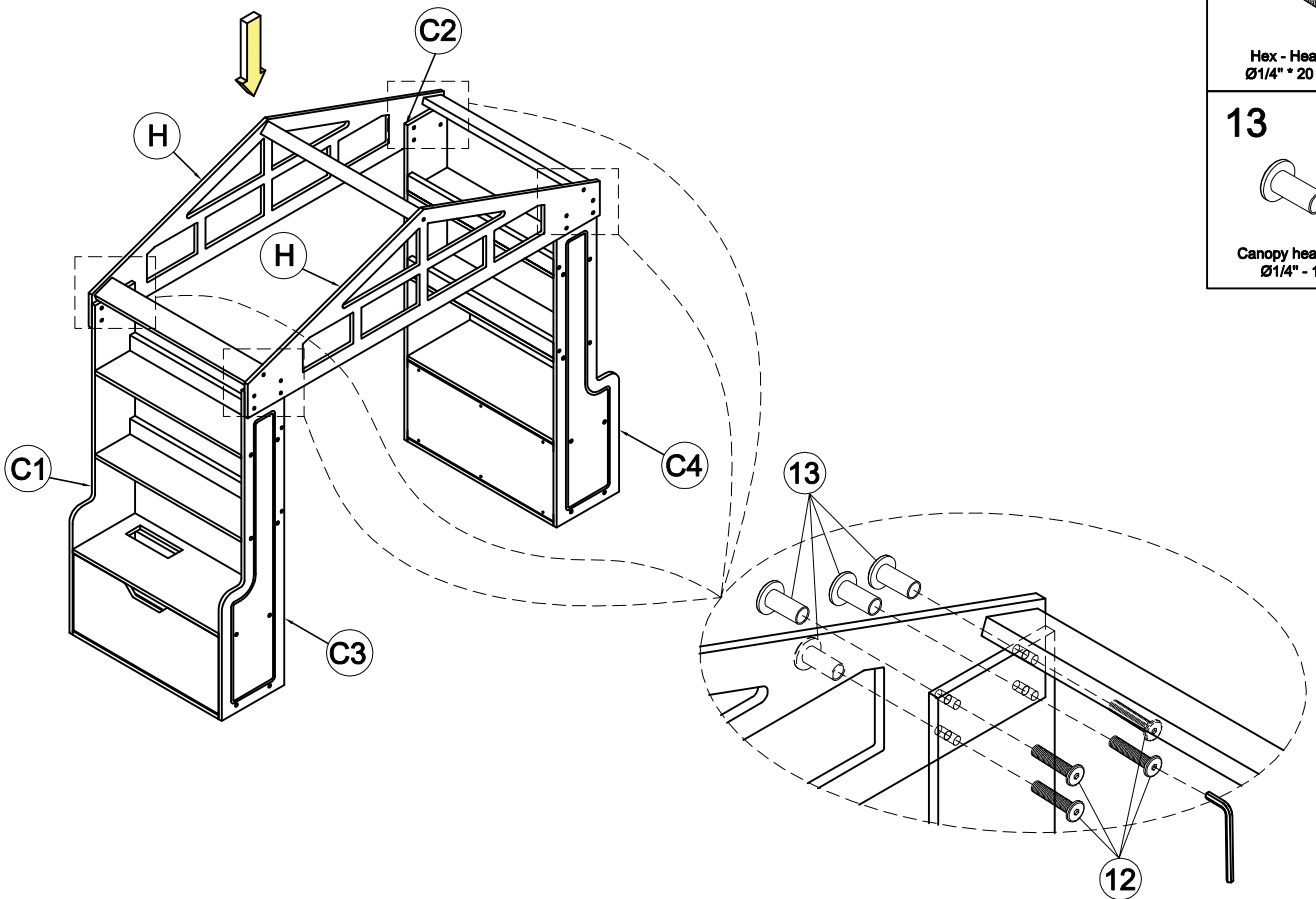


STEP 14



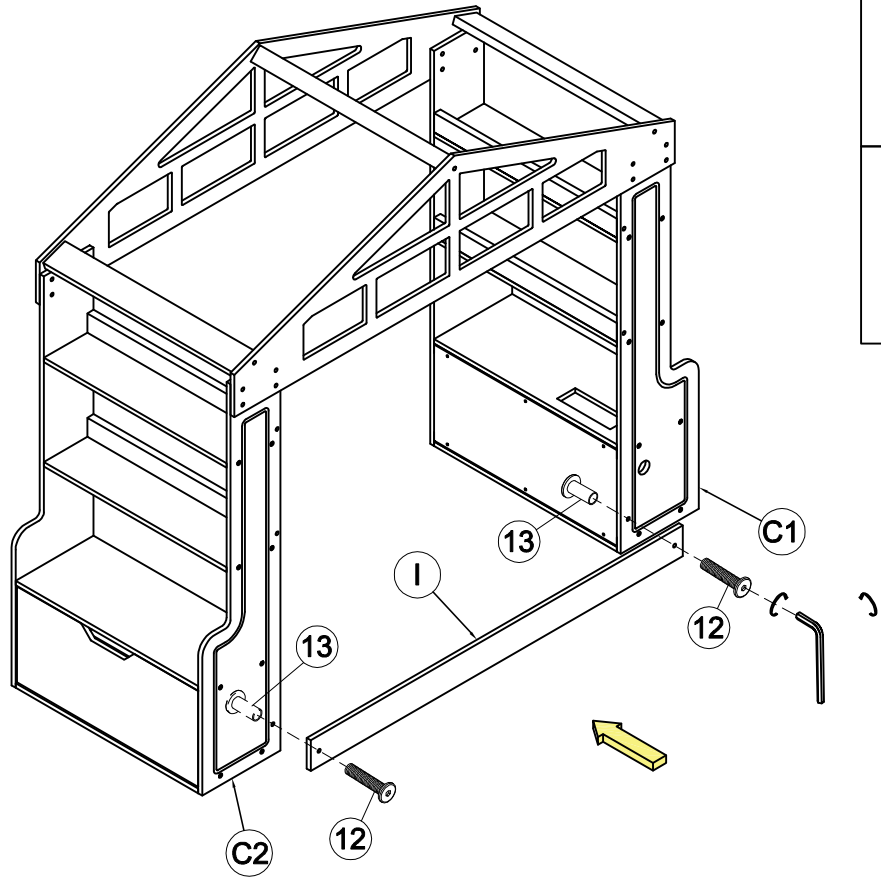
- 1
Wood dowel
Ø8 * 30 - 4pcs
- 10
Hexagonal bolts catch wood
Ø1/4" * 40 - 6pcs

STEP 15



- 12
Hex - Head bolts
Ø1/4" * 20 - 16pcs
- 13
Canopy head though
Ø1/4" - 16pcs

STEP 16



12



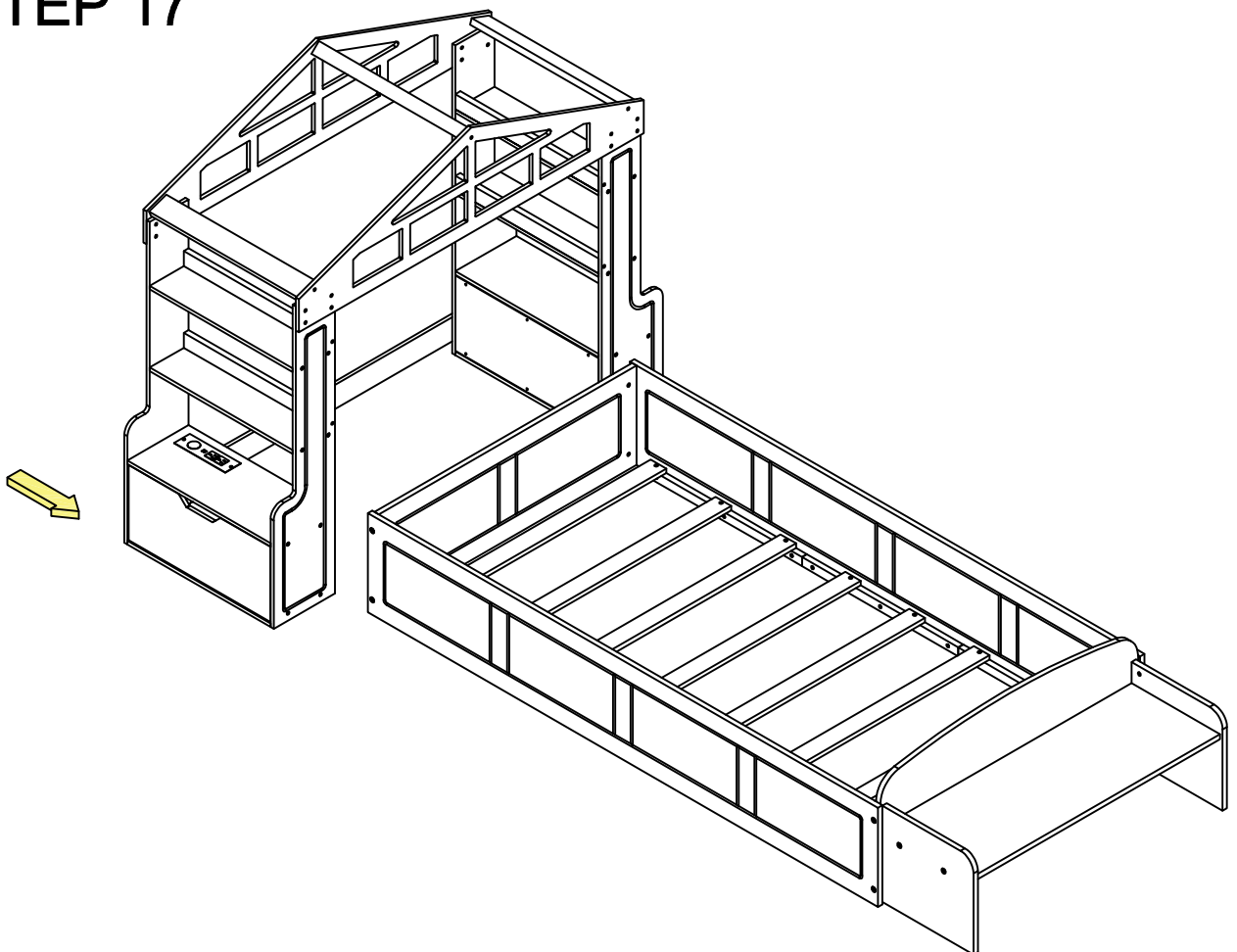
Hex - Head bolts
Ø1/4" * 20 - 2pcs

13



Canopy head though
Ø1/4" - 2pcs

STEP 17



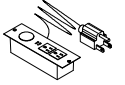
STEP 18

7

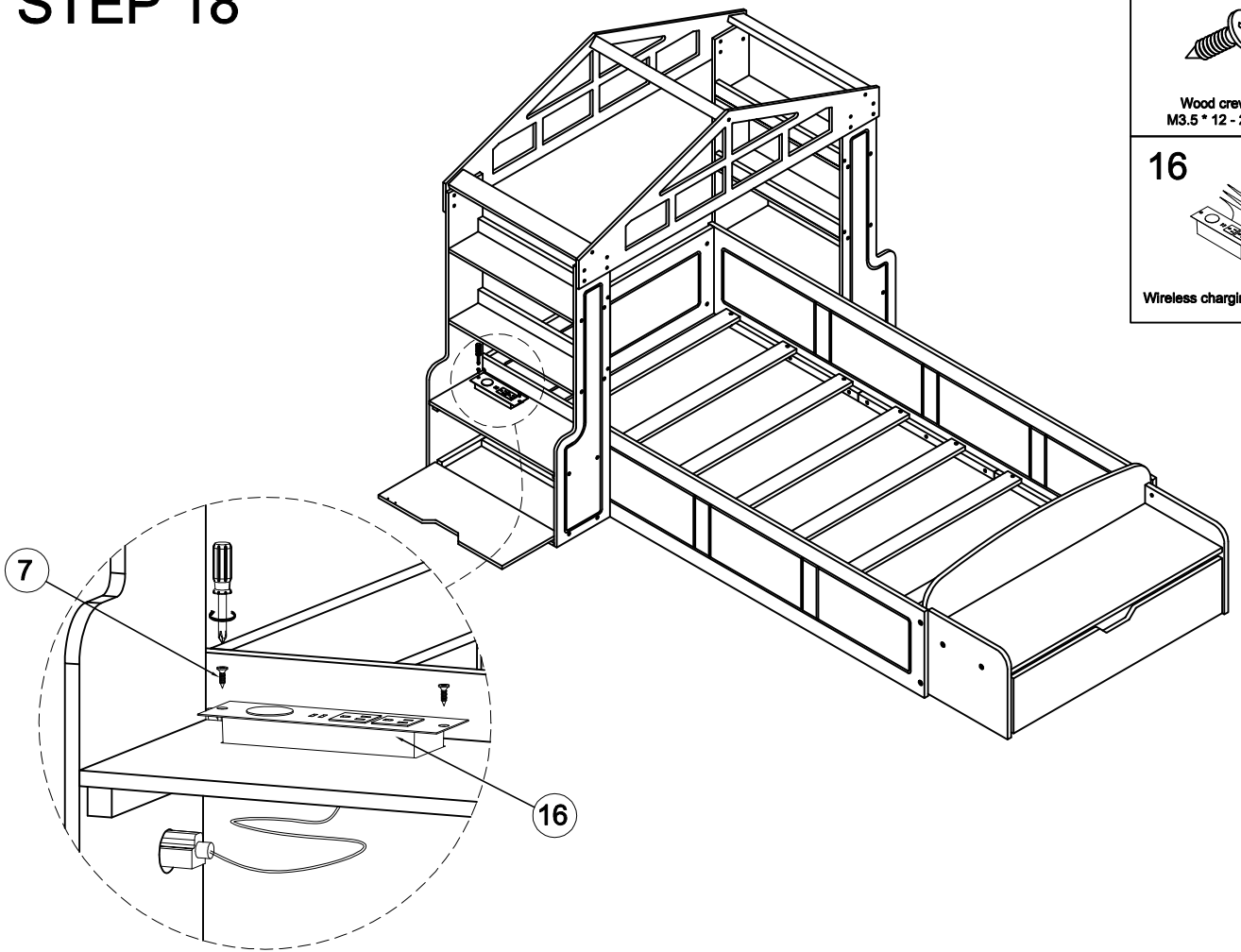


Wood crews
M3.5 * 12 - 2pcs

16



Wireless charging outlet

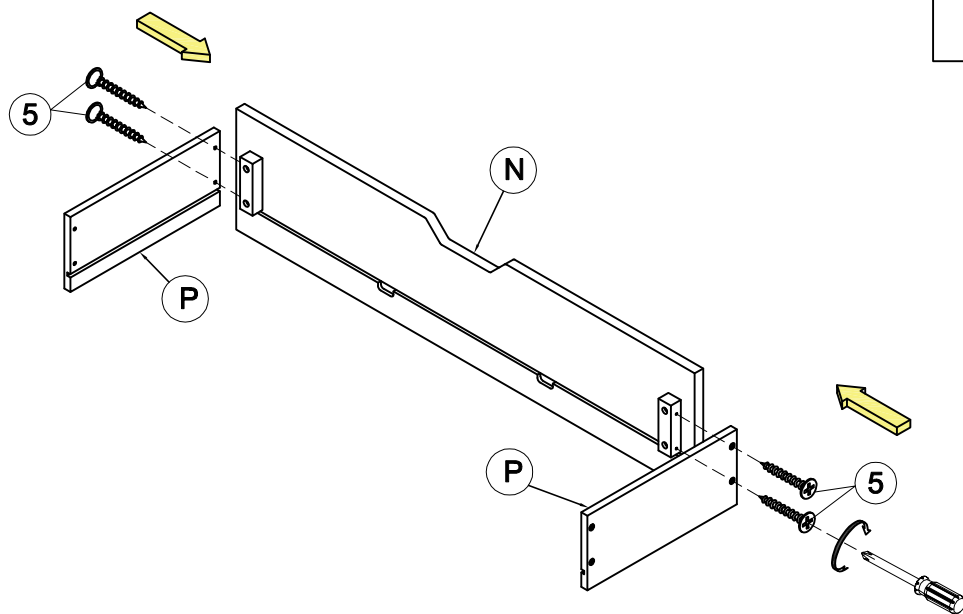


STEP 19

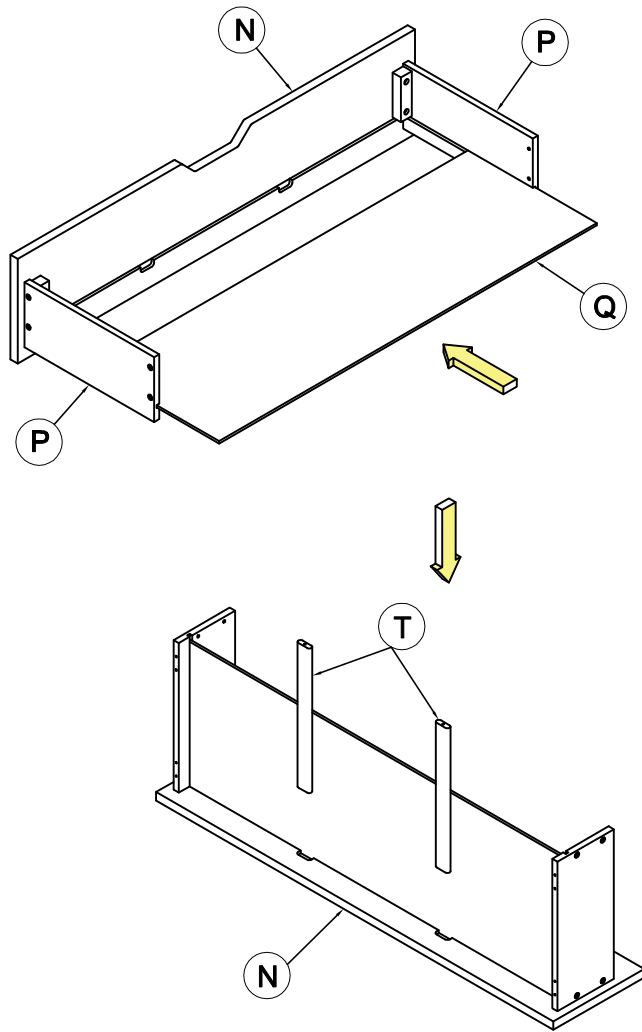
5



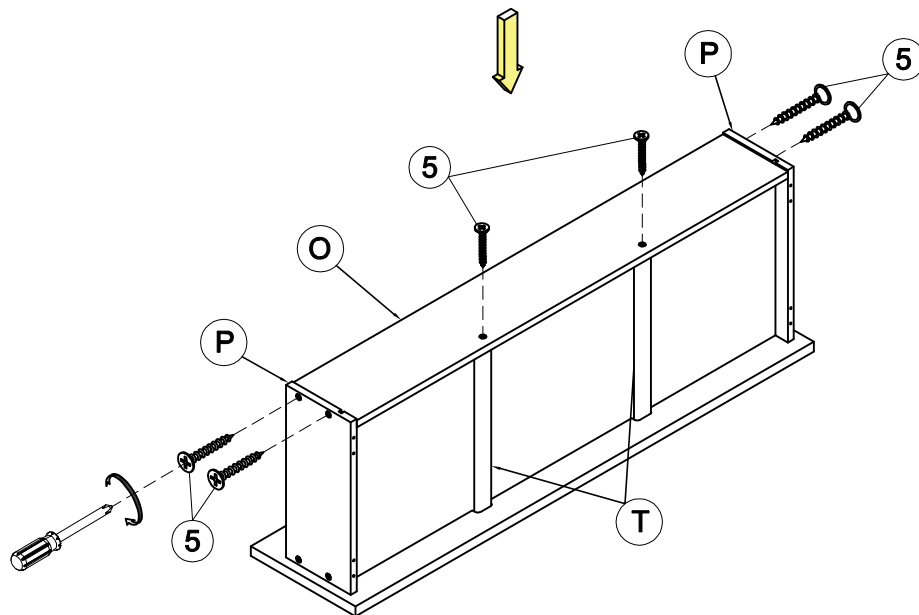
Wood crews
M4 * 25 - 4pcs



STEP 20



STEP 21

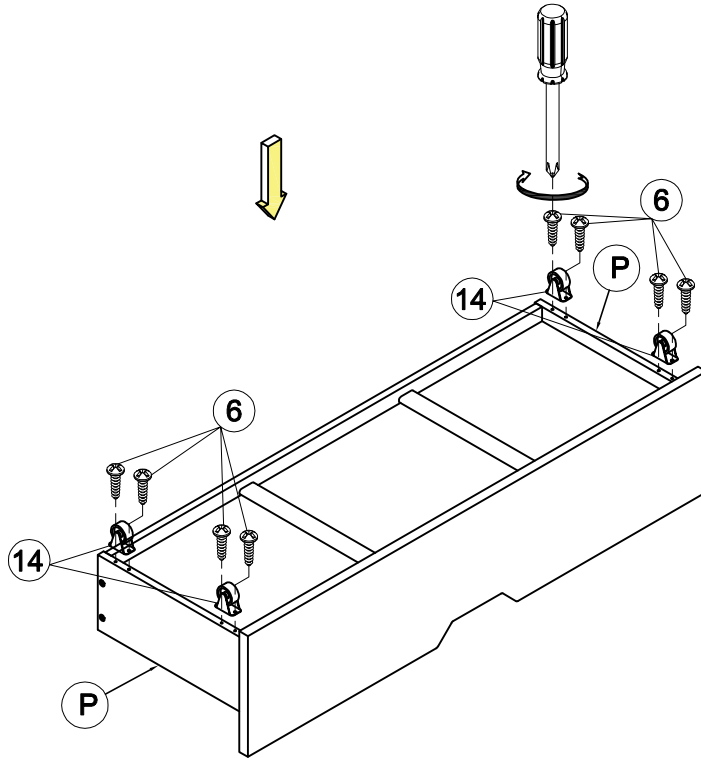


5



Wood crews
M4 * 25 - 6pcs

STEP 22



14



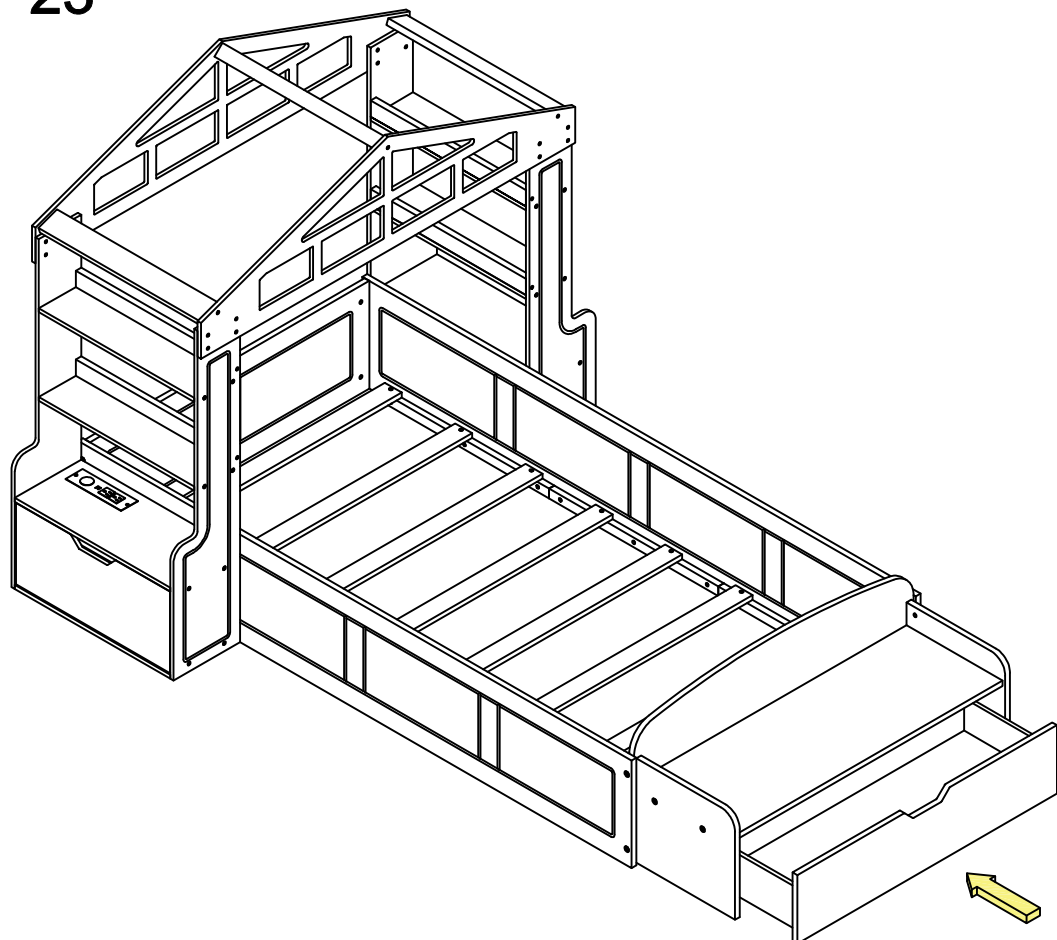
Wheel
4pcs

6



Round wood crews
M3.5 * 15 - 8pcs

STEP 23



COMPLETED

