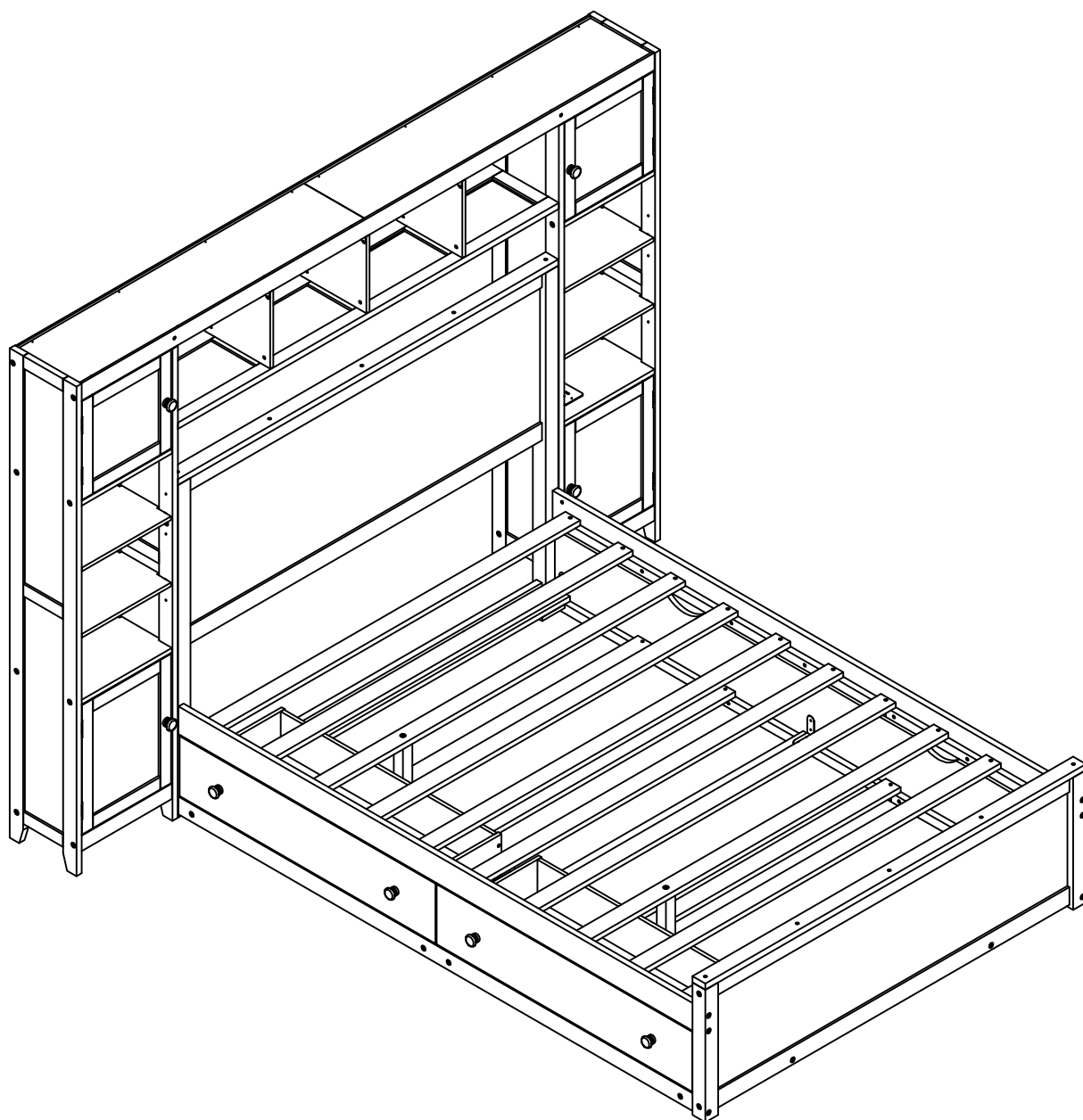
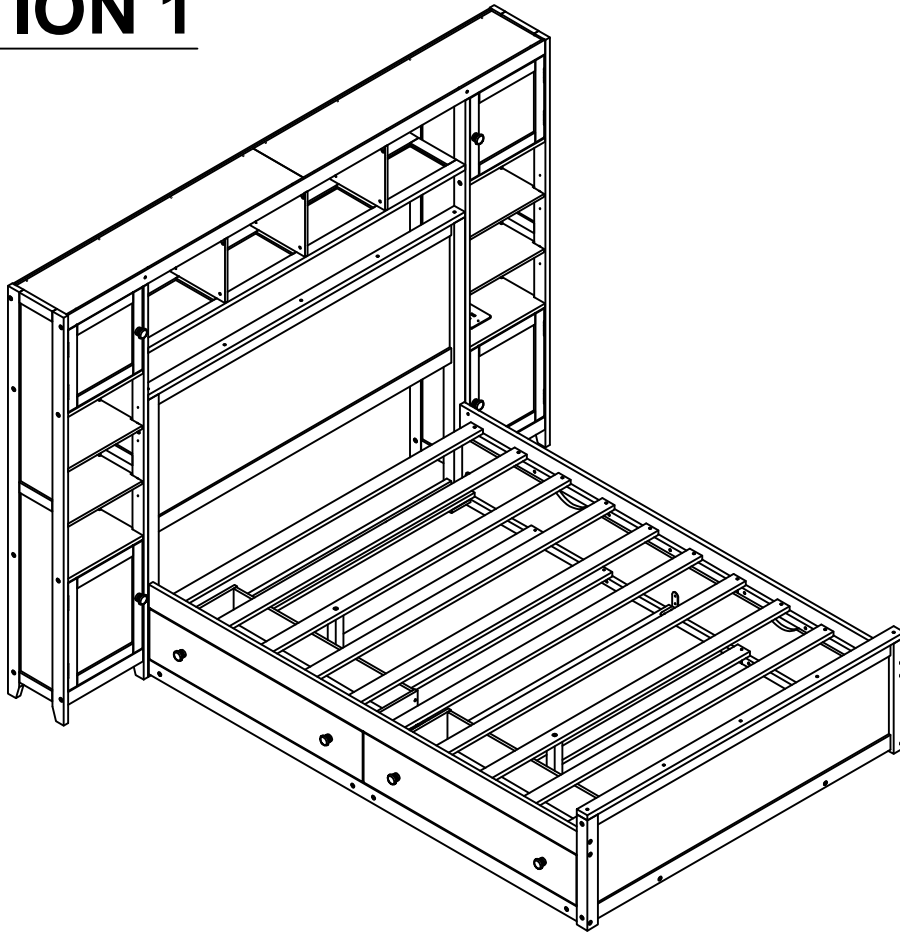


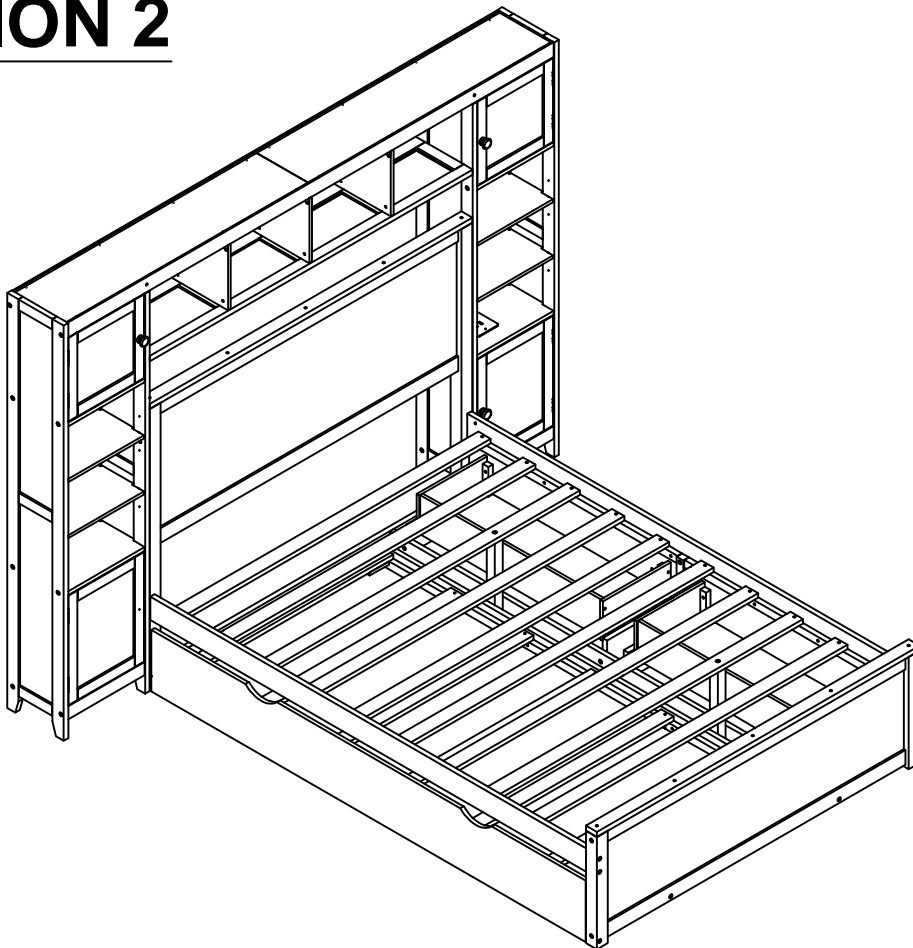
**ASSEMBLY INSTRUCTION**  
**SKU CODE: WF316655-WF316656-WF316657**



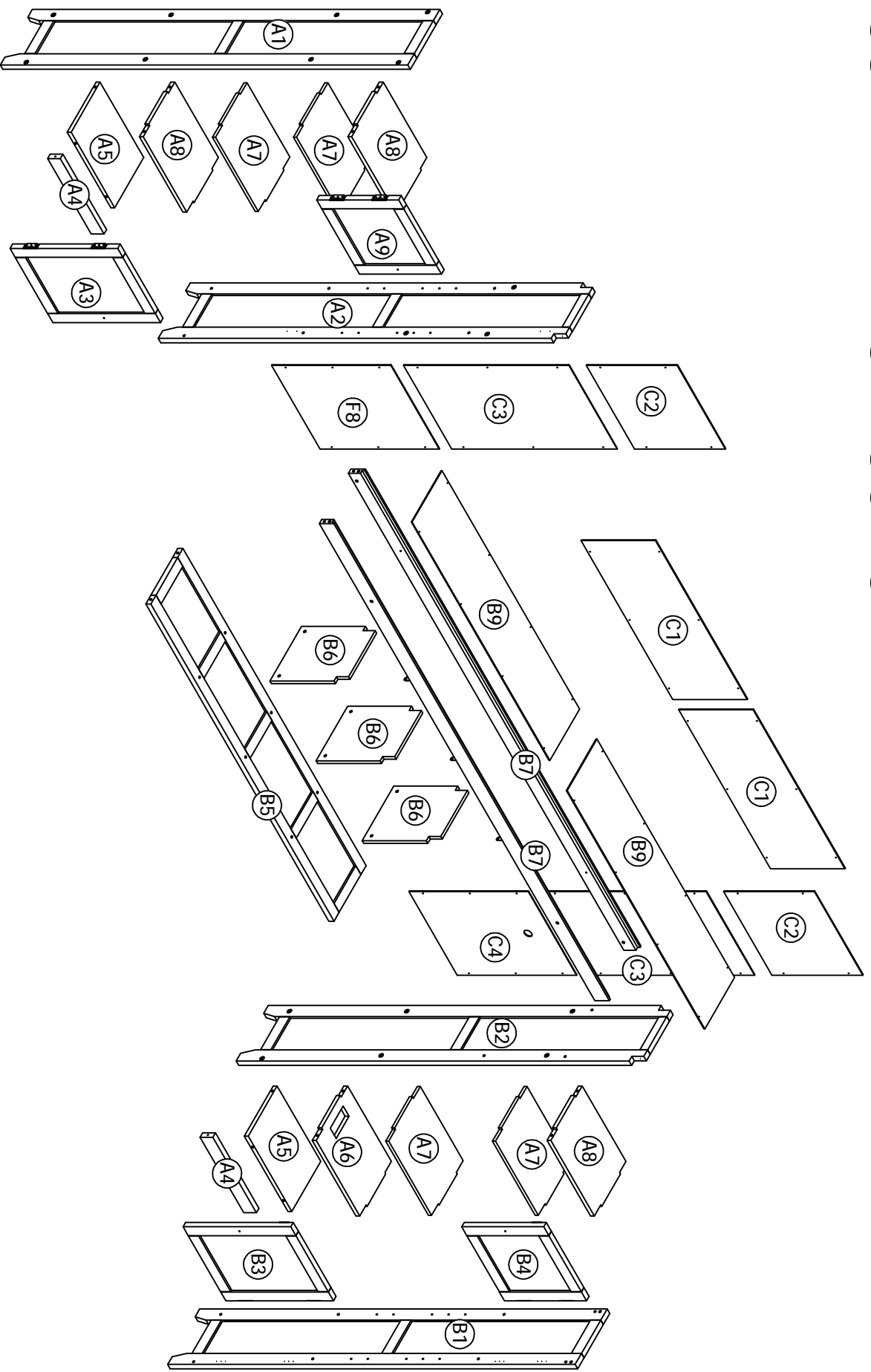
# OPTION 1



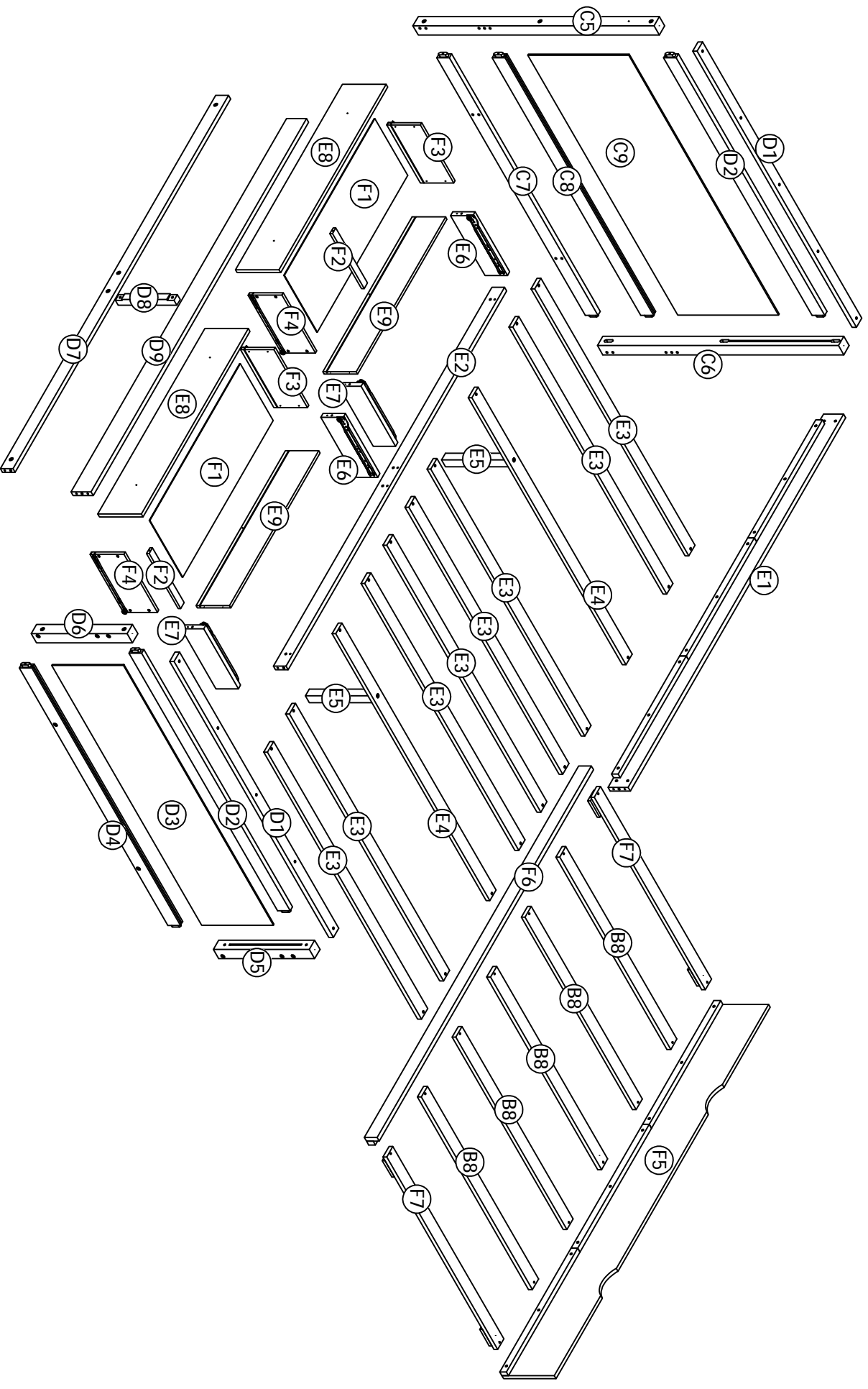
# OPTION 2



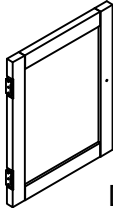
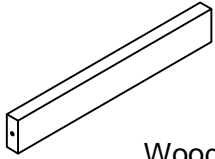
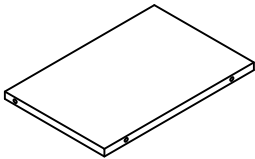
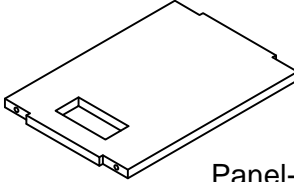
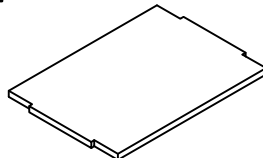
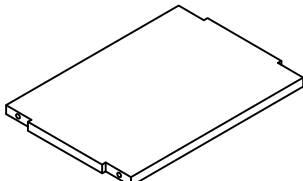
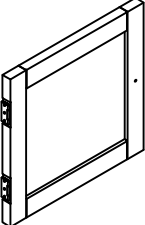
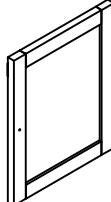
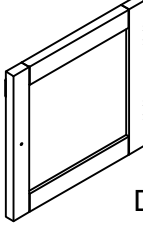
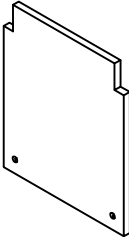
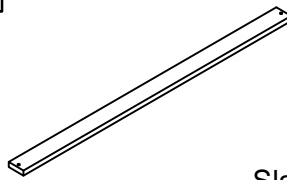
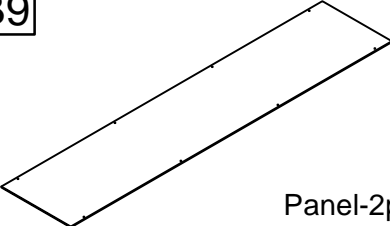
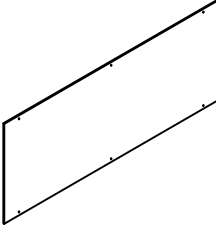
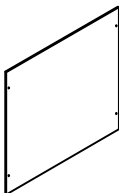

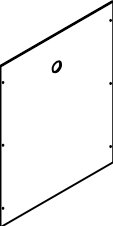




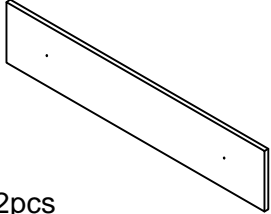
# ASSEMBLY INSTRUCTION



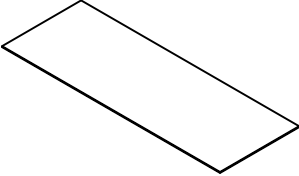
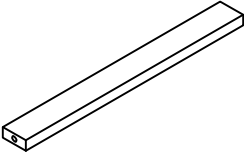
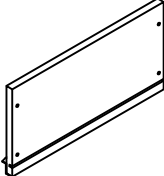
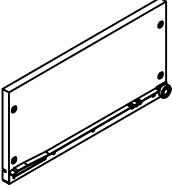
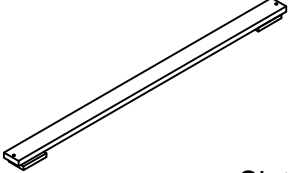
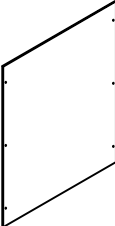
# ASSEMBLY INSTRUCTION



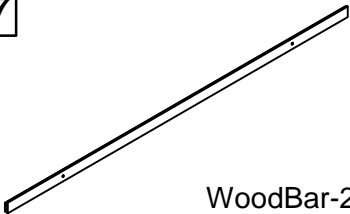
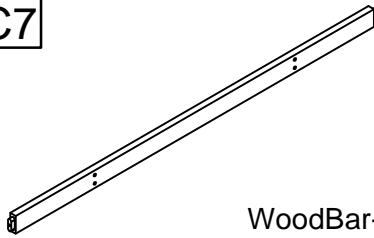
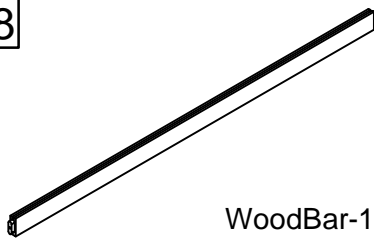
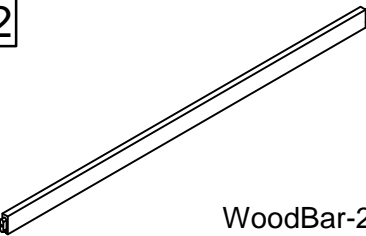
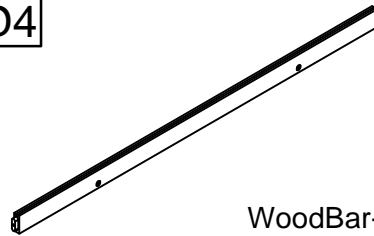
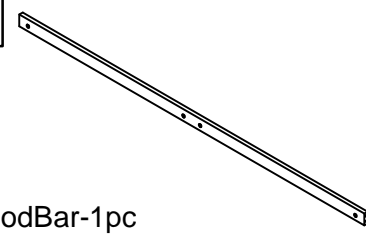
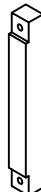
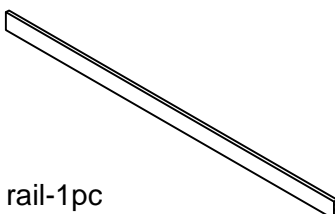
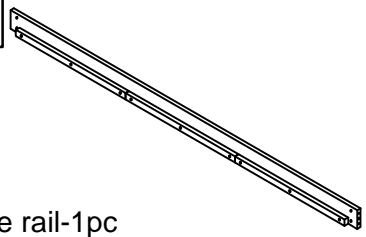
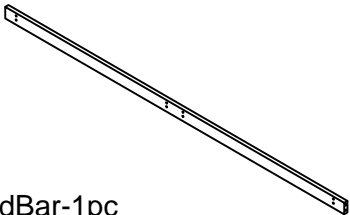
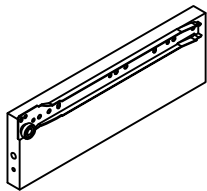
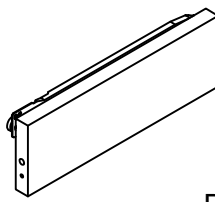
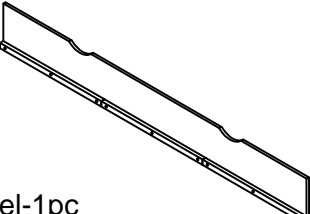
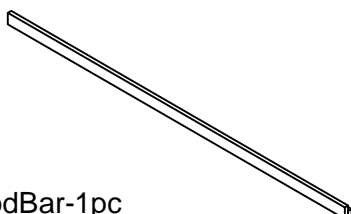
# Part List (Box 1-WF316655)

|   |   |   |
|---|---|---|
| <p><b>A3</b></p>  <p>Door-1pc</p>      | <p><b>A4</b></p>  <p>WoodBar-2pcs</p>  | <p><b>A5</b></p>  <p>Panel-2pcs</p>    |
| <p><b>A6</b></p>  <p>Panel-1pc</p>     | <p><b>A7</b></p>  <p>Panel-4pcs</p>    | <p><b>A8</b></p>  <p>Panel-3pcs</p>    |
| <p><b>A9</b></p>  <p>Door-1pc</p>      | <p><b>B3</b></p>  <p>Door-1pc</p>      | <p><b>B4</b></p>  <p>Door-1pc</p>      |
| <p><b>B6</b></p>  <p>Panel-3pcs</p>  | <p><b>B8</b></p>  <p>Slat-5pcs</p>   | <p><b>B9</b></p>  <p>Panel-2pcs</p>  |
| <p><b>C1</b></p>  <p>Panel-2pcs</p>  | <p><b>C2</b></p>  <p>Panel-2pcs</p>  | <p><b>C3</b></p>  <p>Panel-2pcs</p>  |
| <p><b>C4</b></p>  <p>Panel-1pc</p>   | <p><b>C5</b></p>  <p>WoodBar-1pc</p> | <p><b>C6</b></p>  <p>WoodBar-1pc</p> |
| <p><b>D5</b></p>  <p>WoodBar-1pc</p> | <p><b>D6</b></p>  <p>WoodBar-1pc</p> | <p><b>E8</b></p>  <p>Panel-2pcs</p>  |





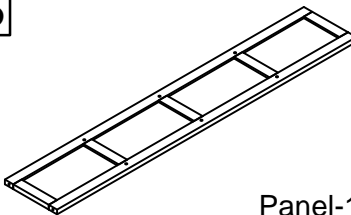
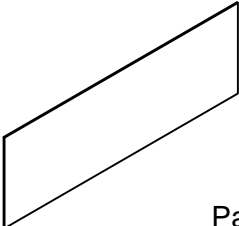
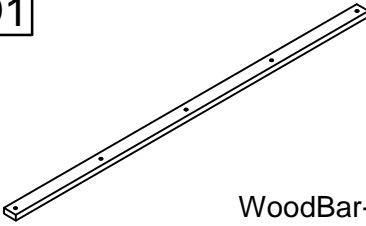
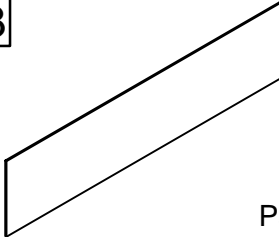
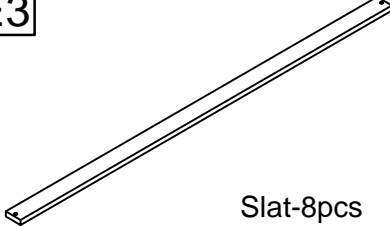
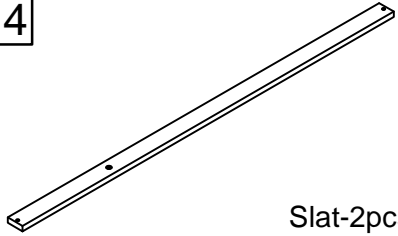

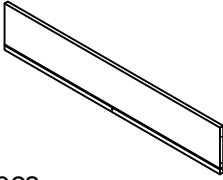
# Part List (Box 1-WF316655)

|  |  |  |
|--|--|--|
| <p><b>F1</b></p>  <p>Panel-2pcs</p> | <p><b>F2</b></p>  <p>WoodBar-2pcs</p> | <p><b>F3</b></p>  <p>Panel-2pcs</p> |
| <p><b>F4</b></p>  <p>Panel-2pcs</p> | <p><b>F7</b></p>  <p>Slat-2pcs</p>    | <p><b>F8</b></p>  <p>Panel-1pc</p>  |

# Part List (Box 2-WF316656)


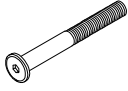
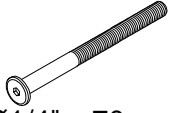
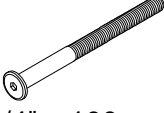
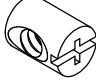
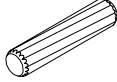
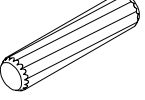
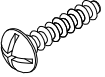

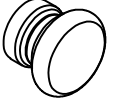
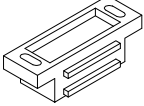
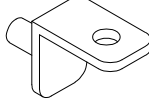
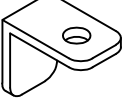
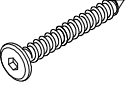
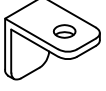


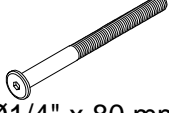


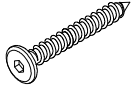
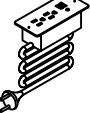
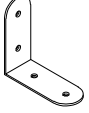
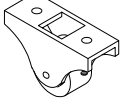
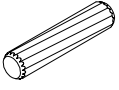
|   |   |   |
|---|---|---|
| <b>B7</b><br><br>WoodBar-2pcs  | <b>C7</b><br><br>WoodBar-1pc   | <b>C8</b><br><br>WoodBar-1pc   |
| <b>D2</b><br><br>WoodBar-2pcs  | <b>D4</b><br><br>WoodBar-1pc   | <b>D7</b><br><br>WoodBar-1pc   |
| <b>D8</b><br><br>WoodBar-1pc   | <b>D9</b><br><br>Side rail-1pc | <b>E1</b><br><br>Side rail-1pc |
| <b>E2</b><br><br>WoodBar-1pc | <b>E6</b><br><br>Panel-2pcs  | <b>E7</b><br><br>Panel-2pcs  |
| <b>F5</b><br><br>Panel-1pc   | <b>F6</b><br><br>WoodBar-1pc |   |

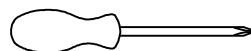
# Part List (Box 3-WF316657)

|  |  |  |
|--|--|--|
| <p><b>A1</b></p>  <p>Panel-1pc</p>    | <p><b>A2</b></p>  <p>Panel-1pc</p>      | <p><b>B1</b></p>  <p>Panel-1pc</p>    |
| <p><b>B2</b></p>  <p>Panel-1pc</p>    | <p><b>B5</b></p>  <p>Panel-1pc</p>      | <p><b>C9</b></p>  <p>Panel-1pc</p>    |
| <p><b>D1</b></p>  <p>WoodBar-2pcs</p> | <p><b>D3</b></p>  <p>Panel-1pc</p>      | <p><b>E3</b></p>  <p>Slat-8pcs</p>    |
| <p><b>E4</b></p>  <p>Slat-2pcs</p>  | <p><b>E5</b></p>  <p>WoodBar-2pcs</p> | <p><b>E9</b></p>  <p>Panel-2pcs</p> |





# Hardware List (Box 2 - WF316656)

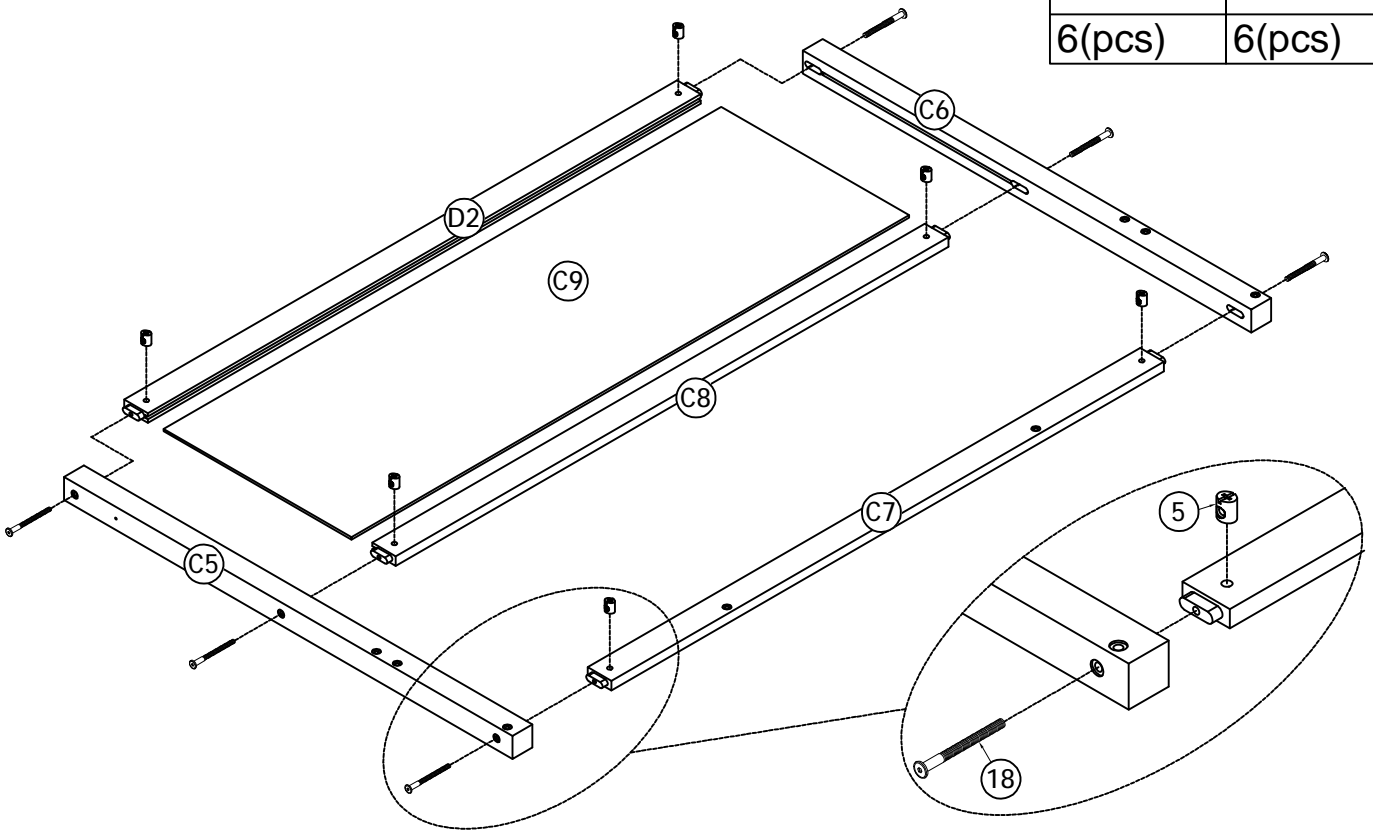
|   |   |   |
|---|---|---|
| <p>1</p>  <p>Ø1/4" x 30mm<br/>Hex-Head bolts 2pcs</p>    | <p>2</p>  <p>Ø1/4" x 60 mm<br/>Hex-Head bolts 26pcs</p>        | <p>3</p>  <p>Ø1/4" x 70 mm<br/>Hex-Head bolts 10pcs</p>    |
| <p>4</p>  <p>Ø1/4" x 100 mm<br/>Hex-Head bolts 10pcs</p> | <p>5</p>  <p>Ø1/4" x 13 mm<br/>Horizontal-Hole bolts 56pcs</p> | <p>6</p>  <p>Ø8 x 30 mm<br/>Wood dowel 10pcs</p>           |
| <p>7</p>  <p>Ø10 x 40 mm<br/>Wood dowel 12pcs</p>        | <p>8</p>  <p>M4 x 25 mm<br/>Wood Screws 8pcs</p>               | <p>9</p>  <p>Allen Key 1pc</p>                             |
| <p>10</p>  <p>Handle Wood 8pcs</p>                       | <p>11</p>  <p>Magnet Door Catcher 4pcs</p>                     | <p>12</p>  <p>L-Bracket 16pcs</p>                          |
| <p>13</p>  <p>L-Bracket 2*16*26<br/>3pcs</p>            | <p>14</p>  <p>Screws 1/4" x 40mm<br/>6pcs</p>                 | <p>15</p>  <p>L-Bracket 1*12*25<br/>2pcs</p>              |
| <p>16</p>  <p>M4 x 15mm<br/>Wood Screws 68pcs</p>      | <p>17</p>  <p>M3.5 x 12mm<br/>Wood Screws 36pcs</p>          | <p>18</p>  <p>Ø1/4" x 80 mm<br/>Hex-Head bolts 10pcs</p> |
| <p>19</p>  <p>M3 x 15mm<br/>Wood Screws 24pcs</p>      | <p>20</p>  <p>M4 x 30mm<br/>Wood Screws 66pcs</p>            | <p>21</p>  <p>Screws 1/4" x 50mm<br/>12pcs</p>           |
| <p>22</p>  <p>USB 1pc</p>                              | <p>23</p>  <p>Steel Bracket 3pcs</p>                         | <p>24</p>  <p>Wheels 4pcs</p>                            |
| <p>25</p>  <p>Ø6 x 30 mm<br/>Wood dowel 2pcs</p>       |   |   |




**Assembly Tools Required  
(Not Included)**

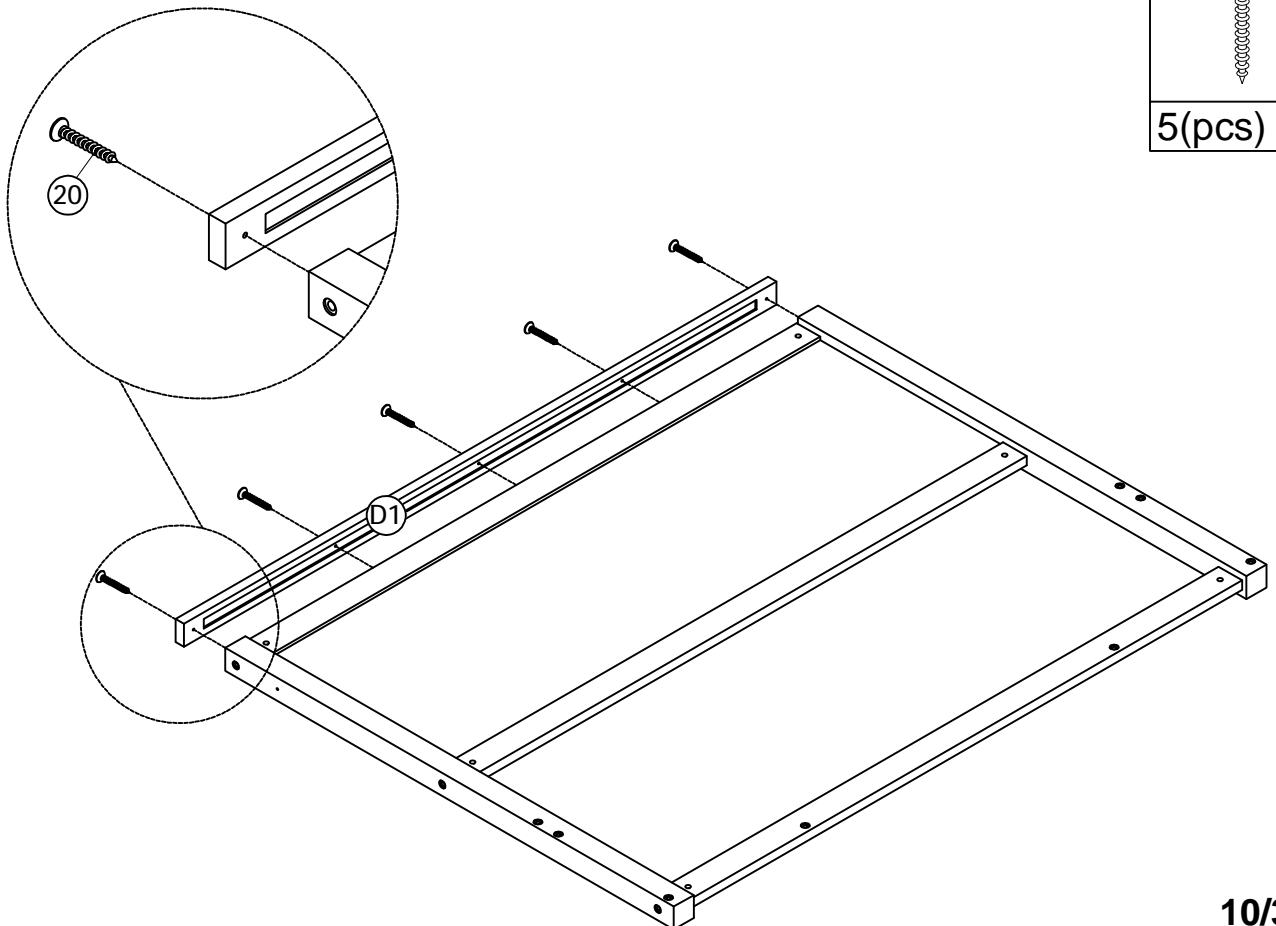
**STEP1:** Following below illustration.

|   |   |
|---|---|
| 18  | 5   |
|  |  |
| 6(pcs)  | 6(pcs)  |





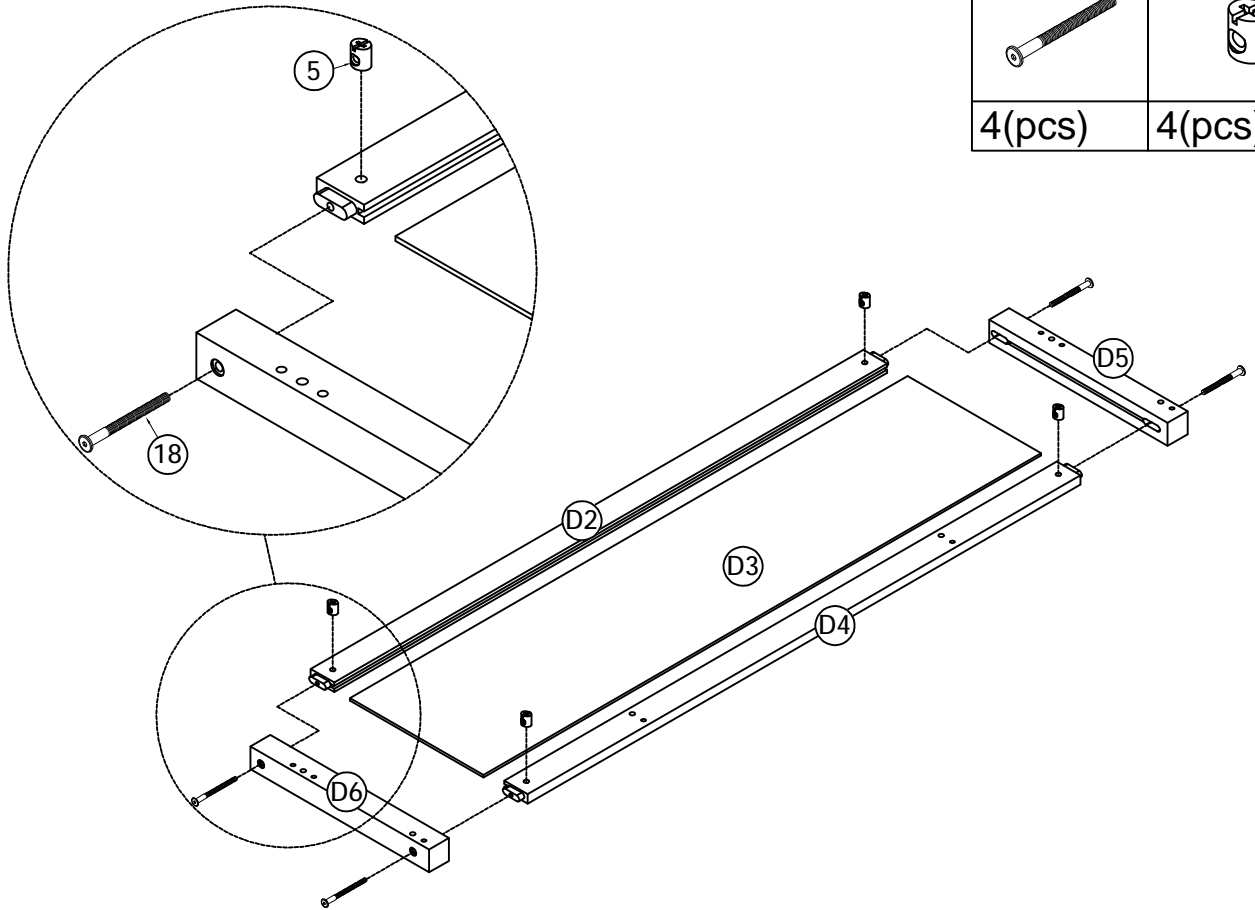
**STEP2:** Following below illustration.

|   |
|---|
| 20  |
|  |
| 5(pcs)  |

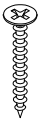


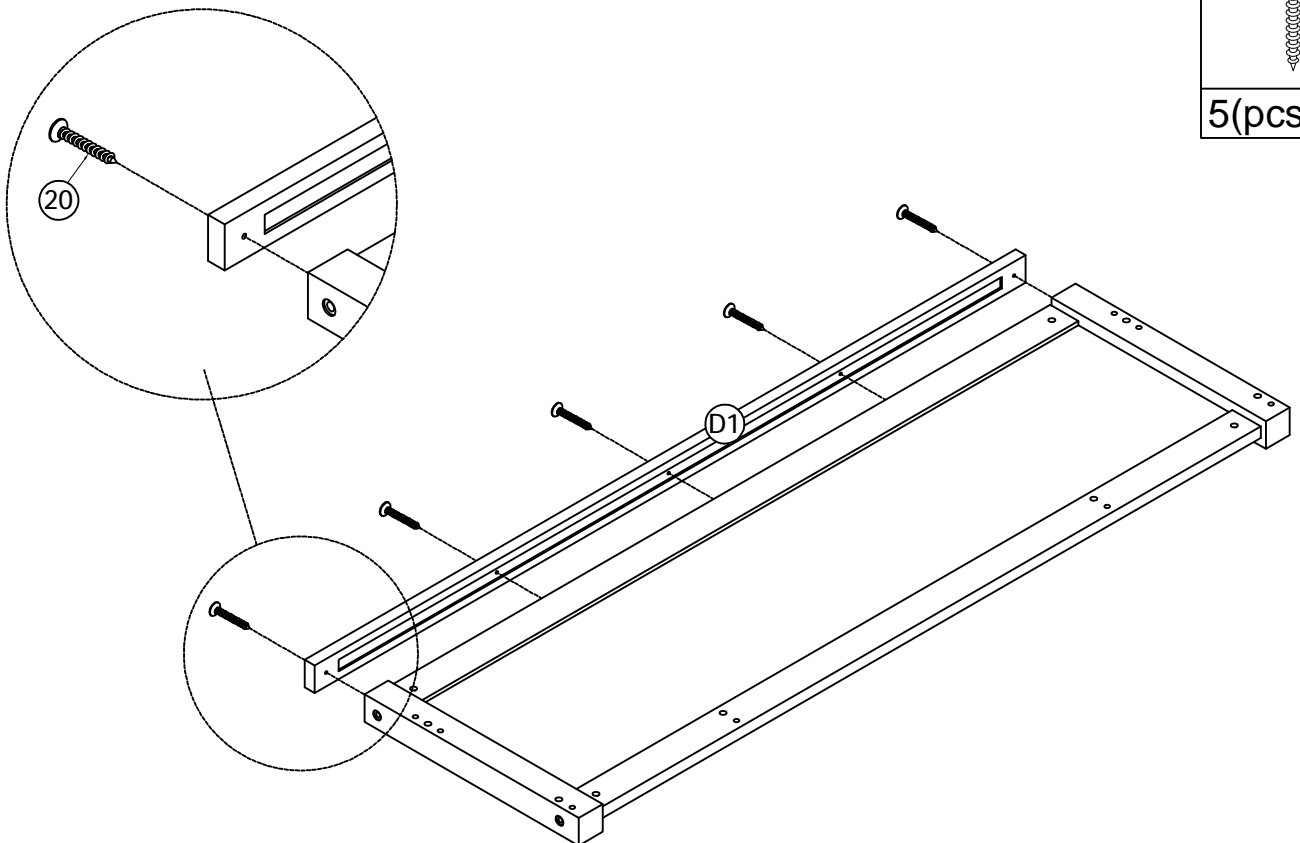
**STEP3:** Following below illustration.

|   |   |
|---|---|
| 18  | 5   |
|  |  |
| 4(pcs)  | 4(pcs)  |



**STEP4:** Following below illustration.

|        |   |
|--------|---|
| 20     |  |
| 5(pcs) |   |



**STEP5:** Following below illustration.

6

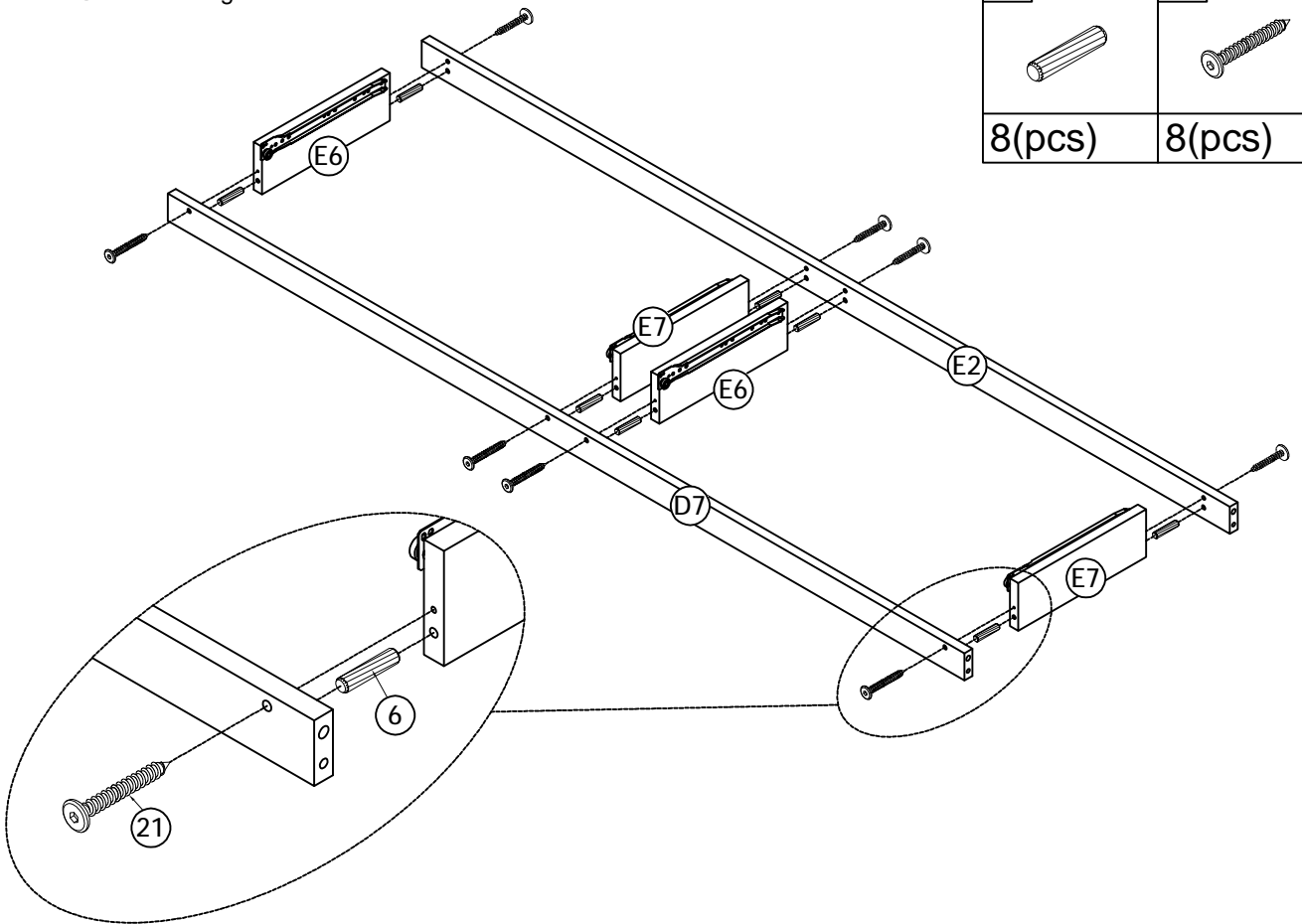


8(pcs)

21



8(pcs)

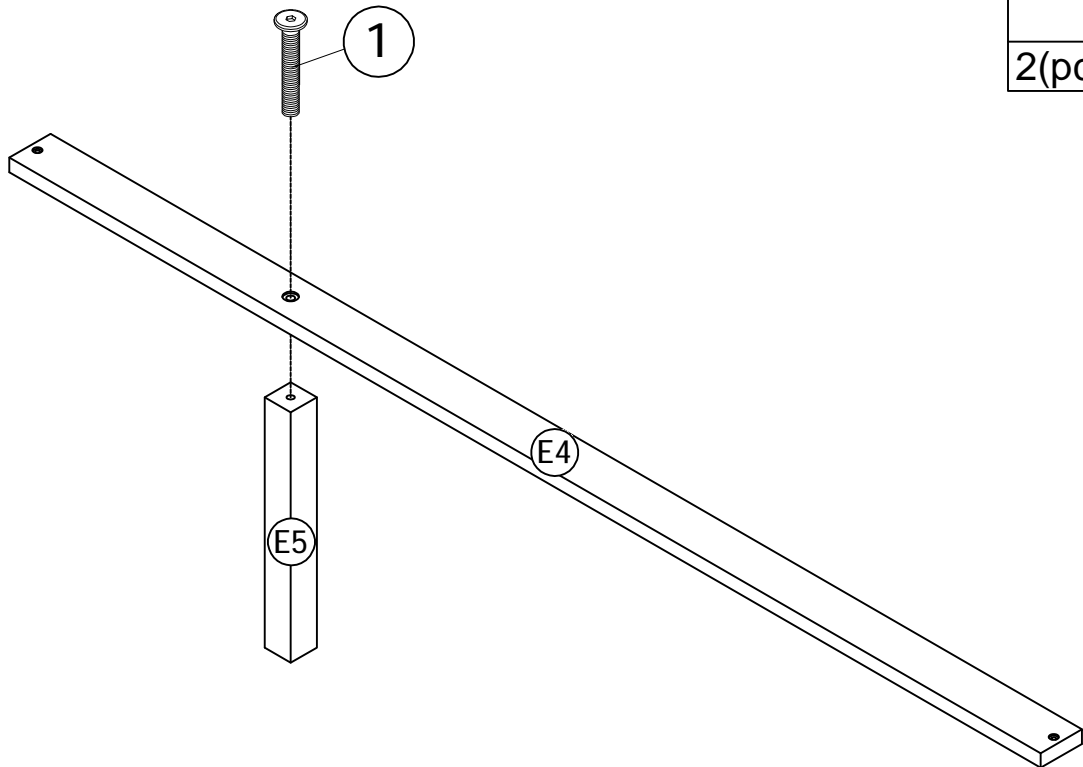


**STEP6 x 2:** Following below illustration.

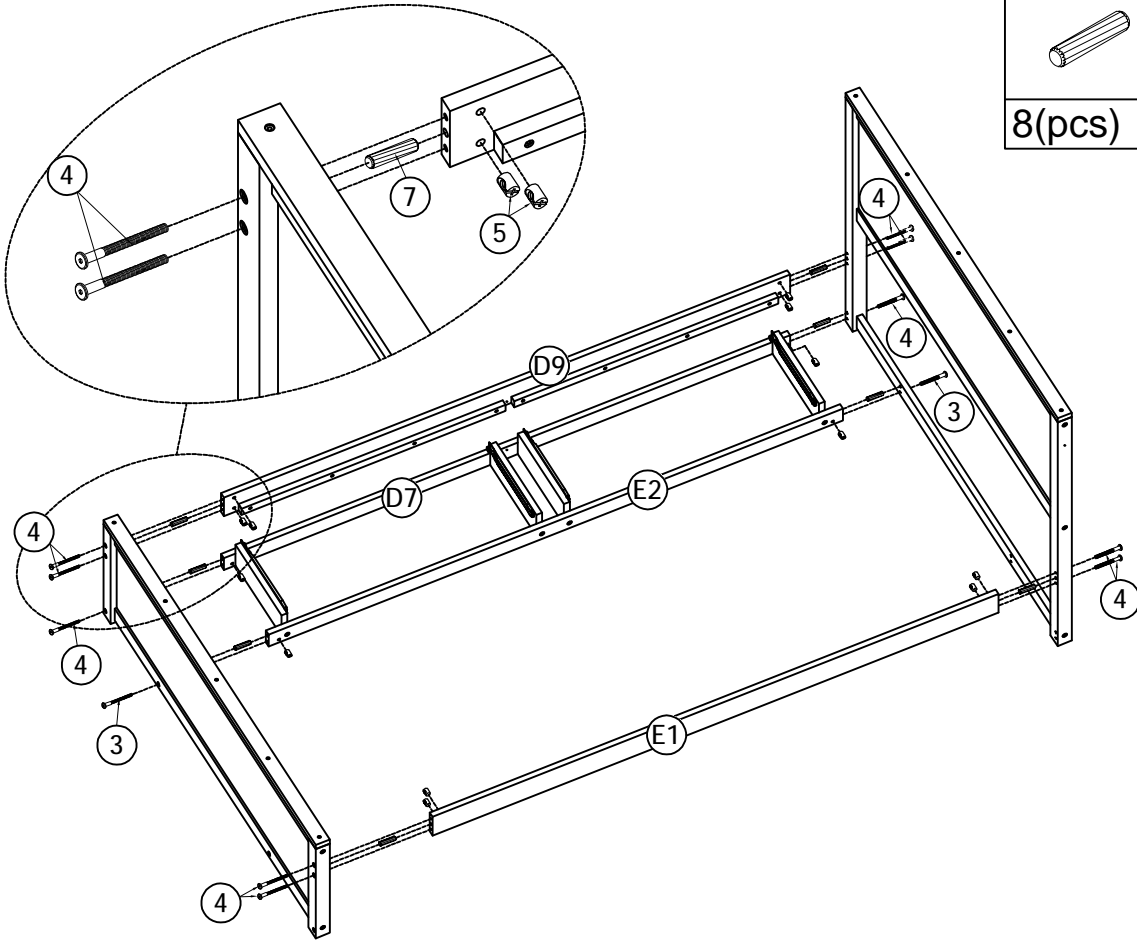
1

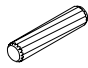





2(pcs)

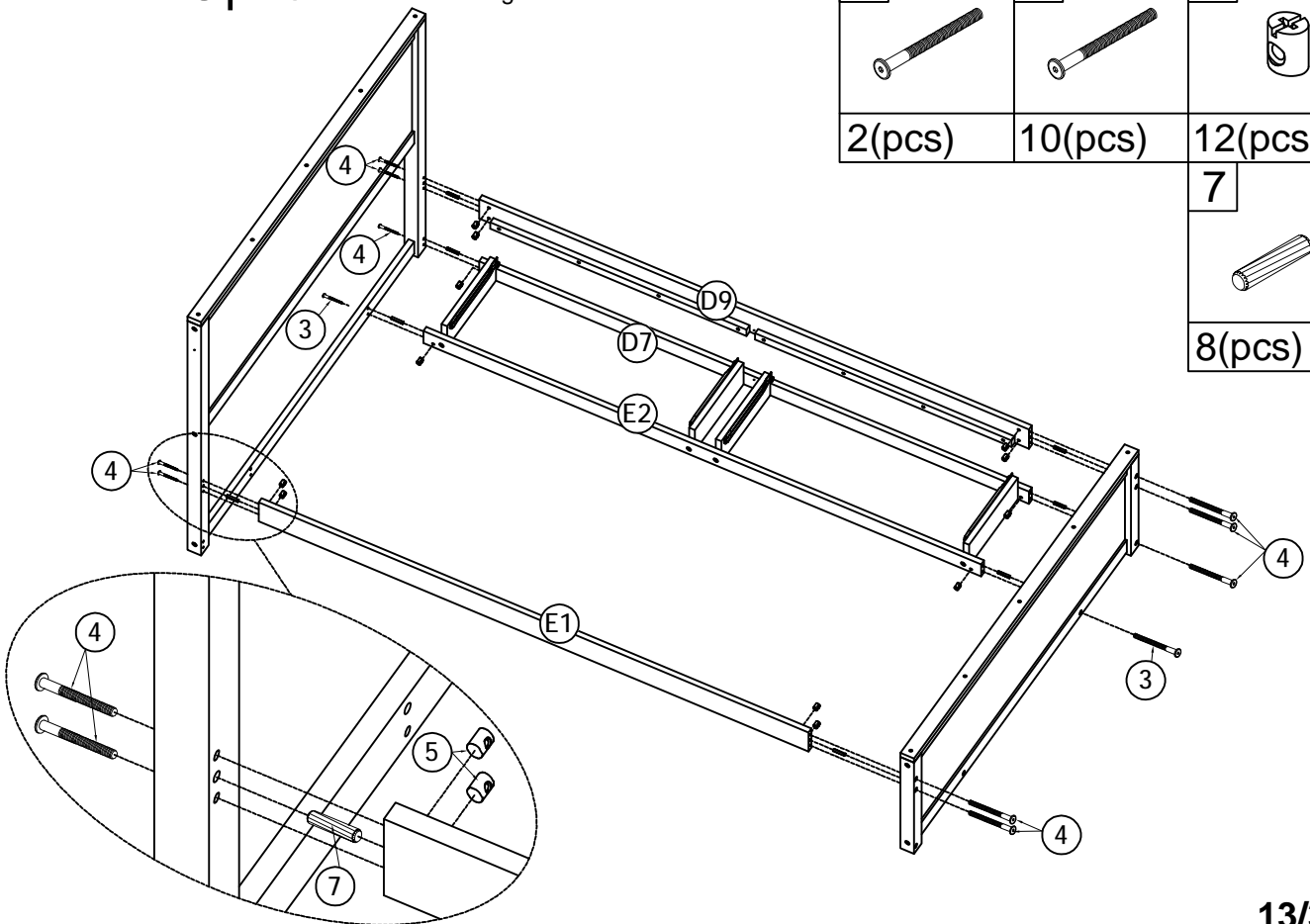





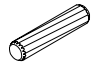
### STEP7 - Option 1: Following below illustration.



|   |   |
|---|---|
| 7   | 3   |
|  |  |
| 8(pcs)  | 2(pcs)  |
|   | 4   |
|   |  |
|   | 10(pcs)   |
|   | 5   |
|   |  |
|   | 12(pcs)   |

### STEP7 - Option 2: Following below illustration.



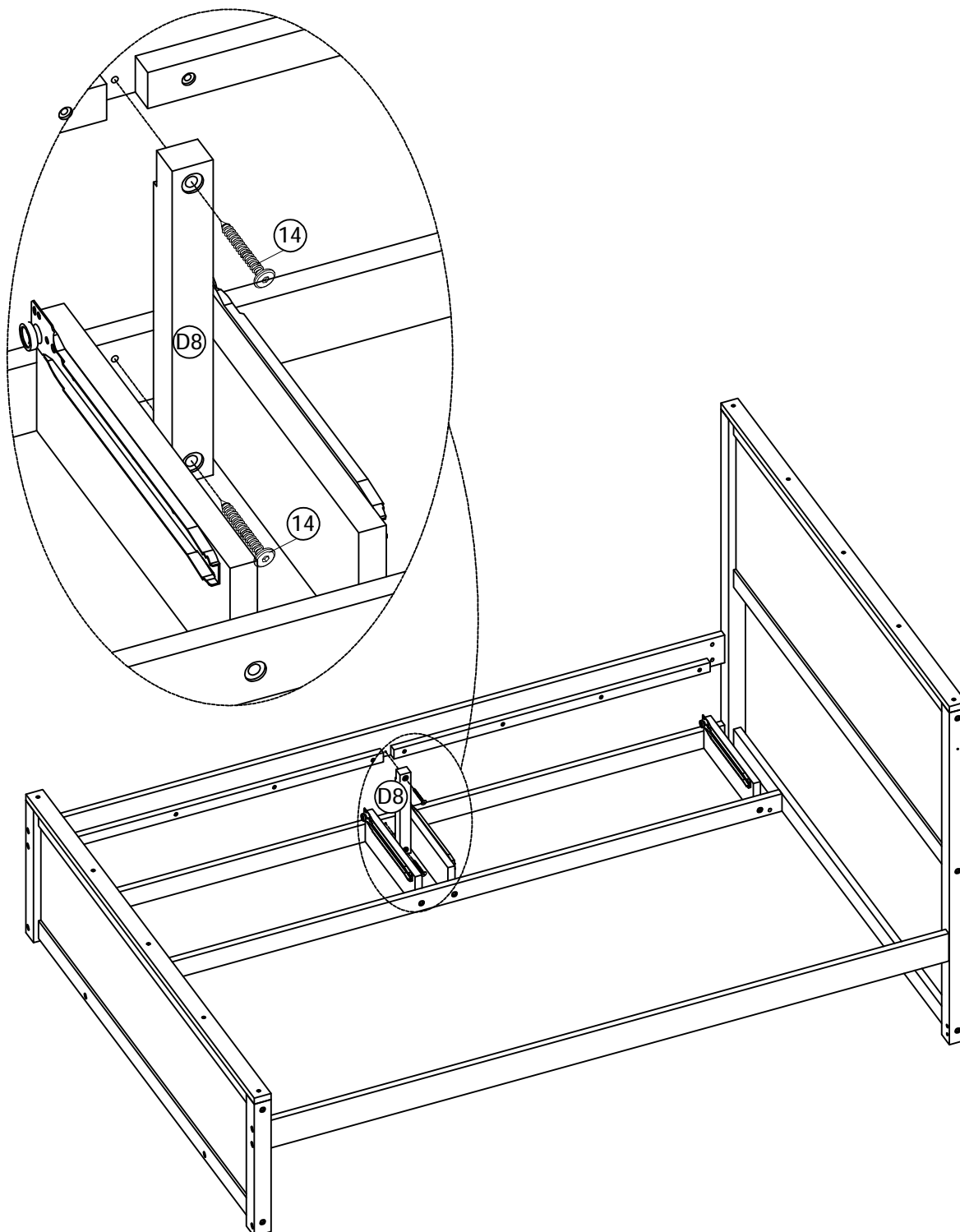
|  |   |   |
|--|---|---|
| 3  | 4   | 5   |
|  |  |  |
| 2(pcs)   | 10(pcs)   | 12(pcs)   |
|  |   | 7   |
|  |   |  |
|  |   | 8(pcs)  |

**STEP8:** Following below illustration.

14



2(pcs)

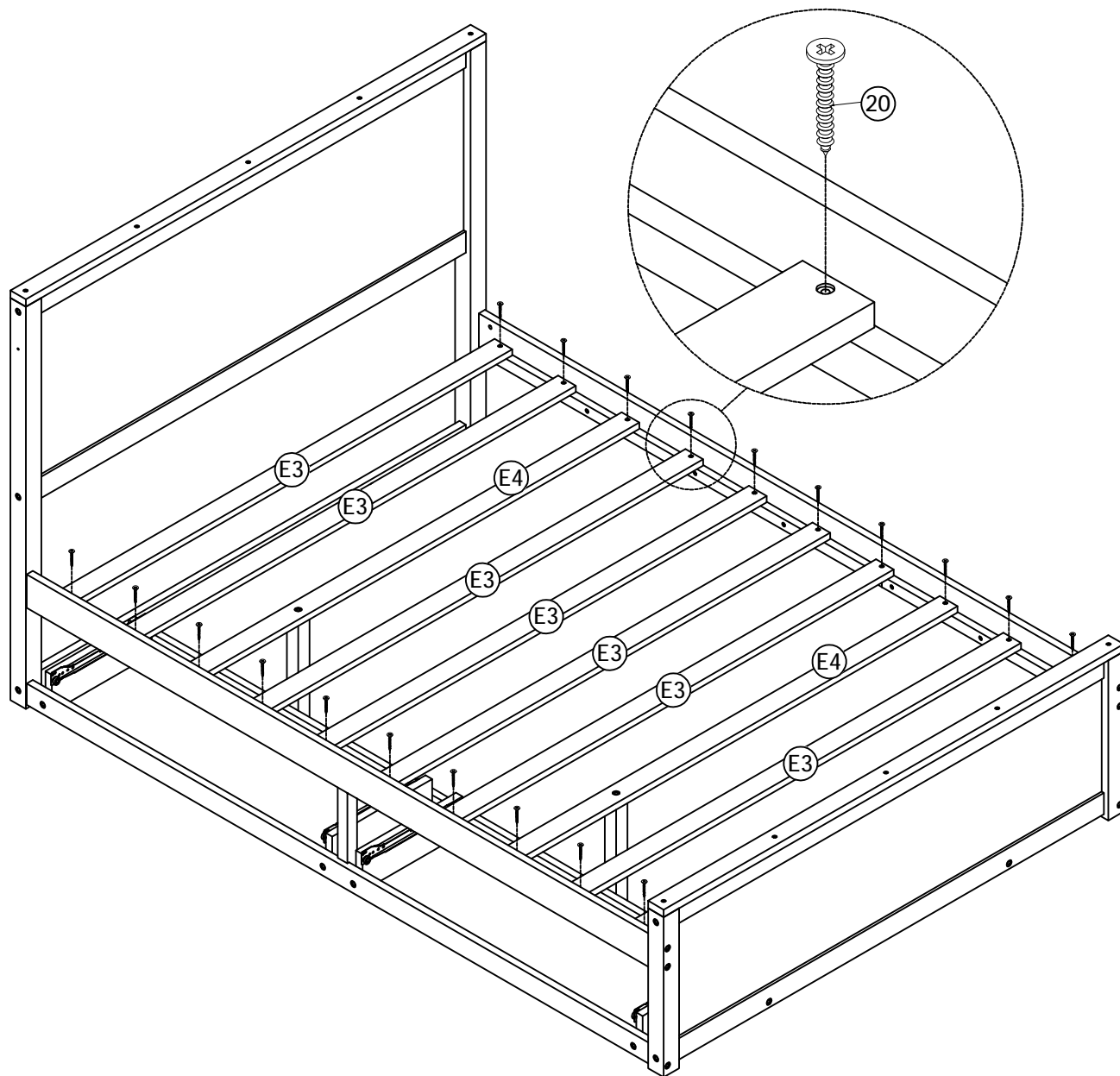


**STEP9:** Following below illustration.


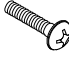
20

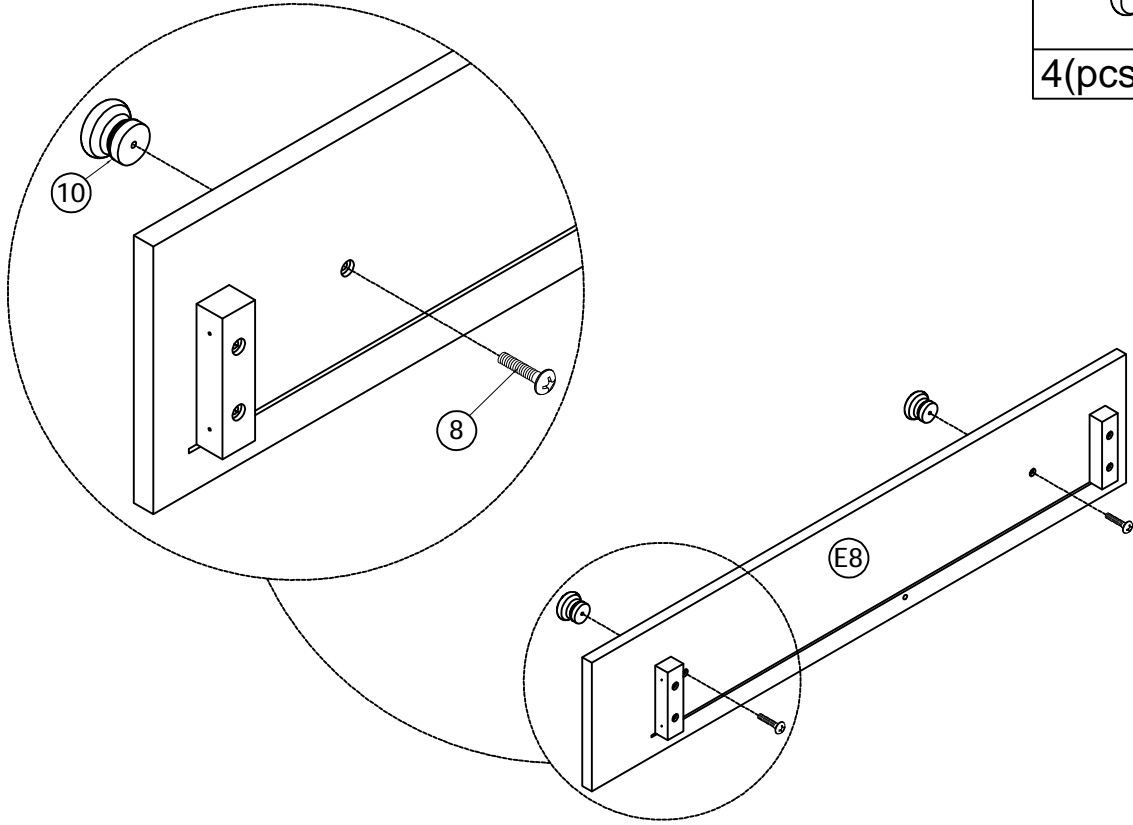


20(pcs)




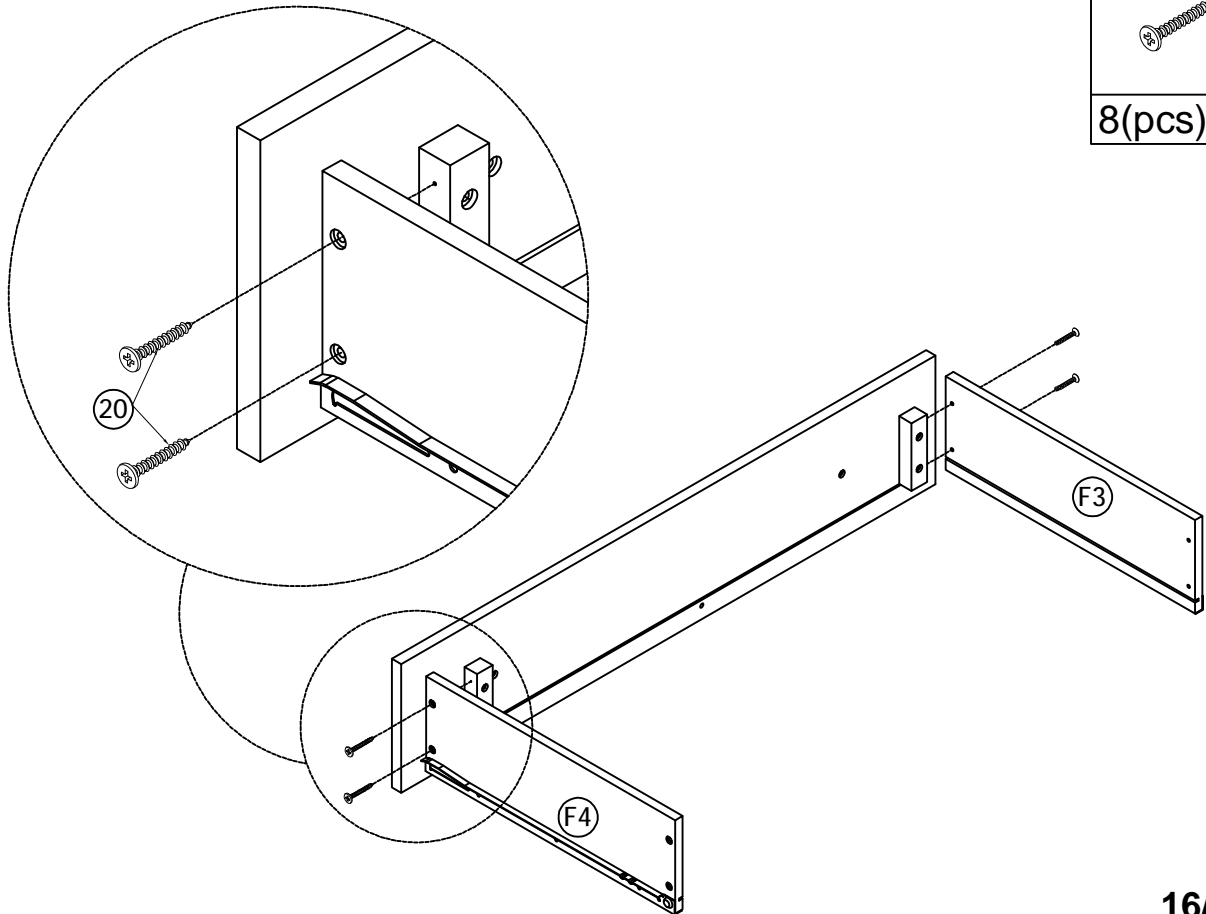
**STEP10 x 2:** Following below illustration.

|   |   |
|---|---|
| 10  | 8   |
|  |  |
| 4(pcs)  | 4(pcs)  |



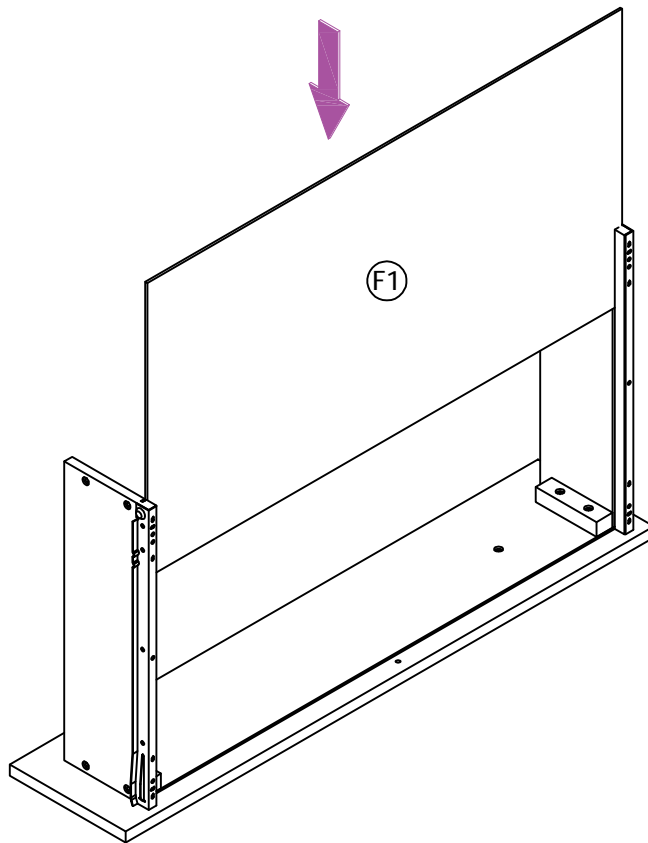
**STEP11 x 2:** Following below illustration.

|   |
|---|
| 20  |
|  |
| 8(pcs)  |

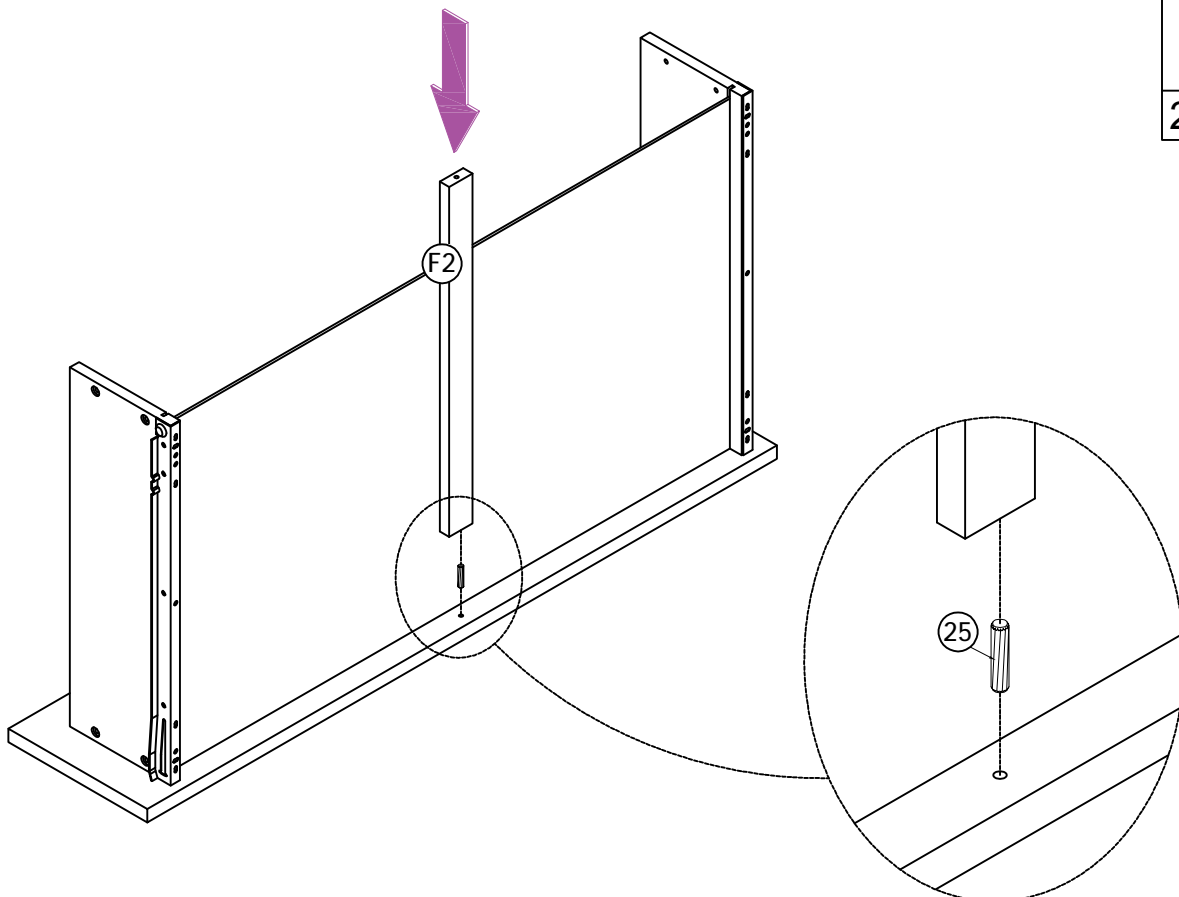




STEP12 x 2: Following below illustration.



STEP13 x 2: Following below illustration.

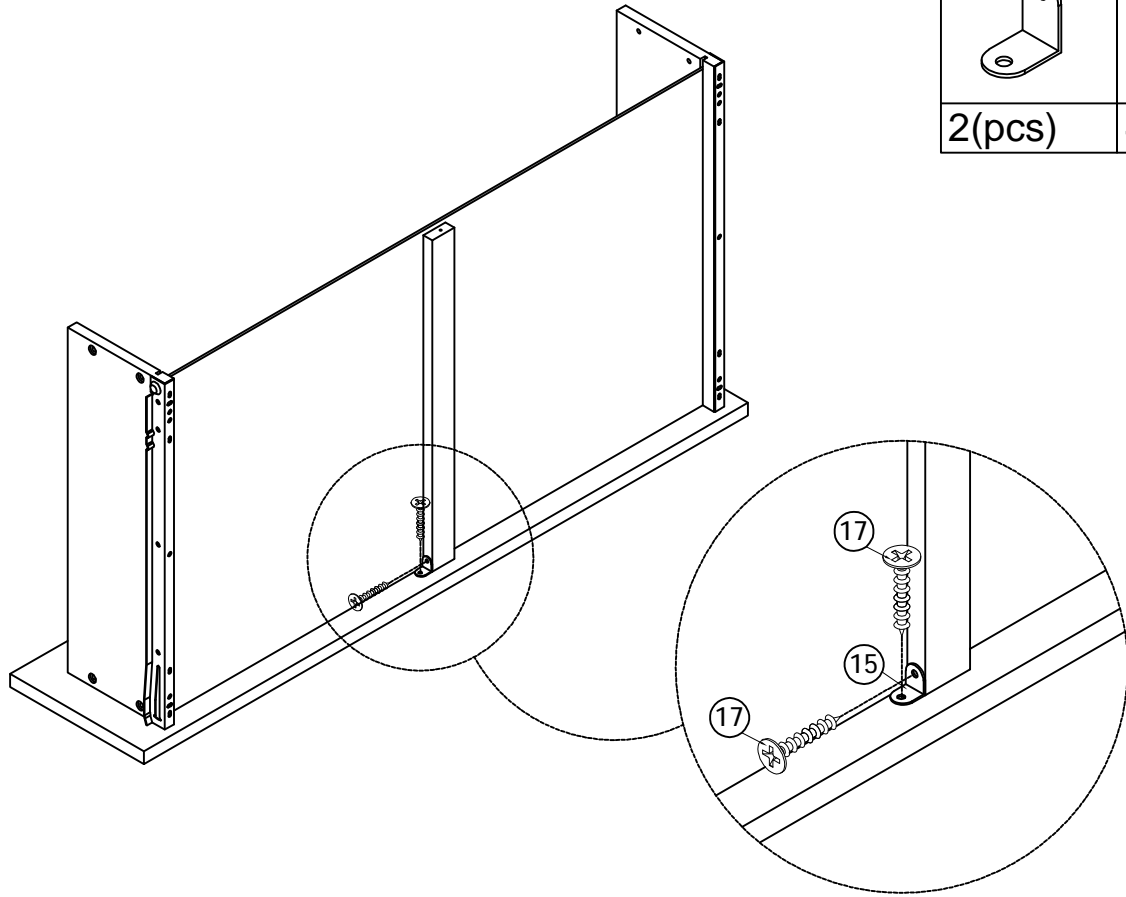


25



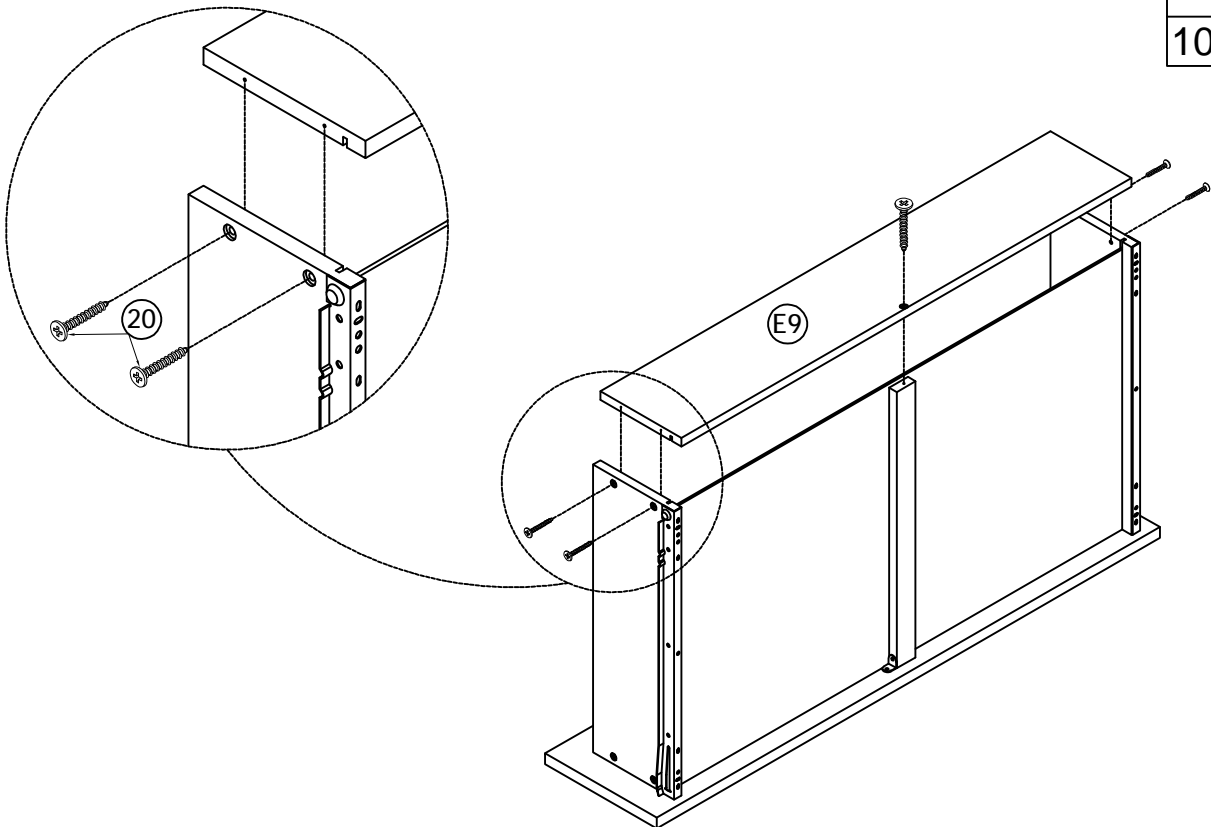
2(pcs)

STEP14 x 2: Following below illustration.



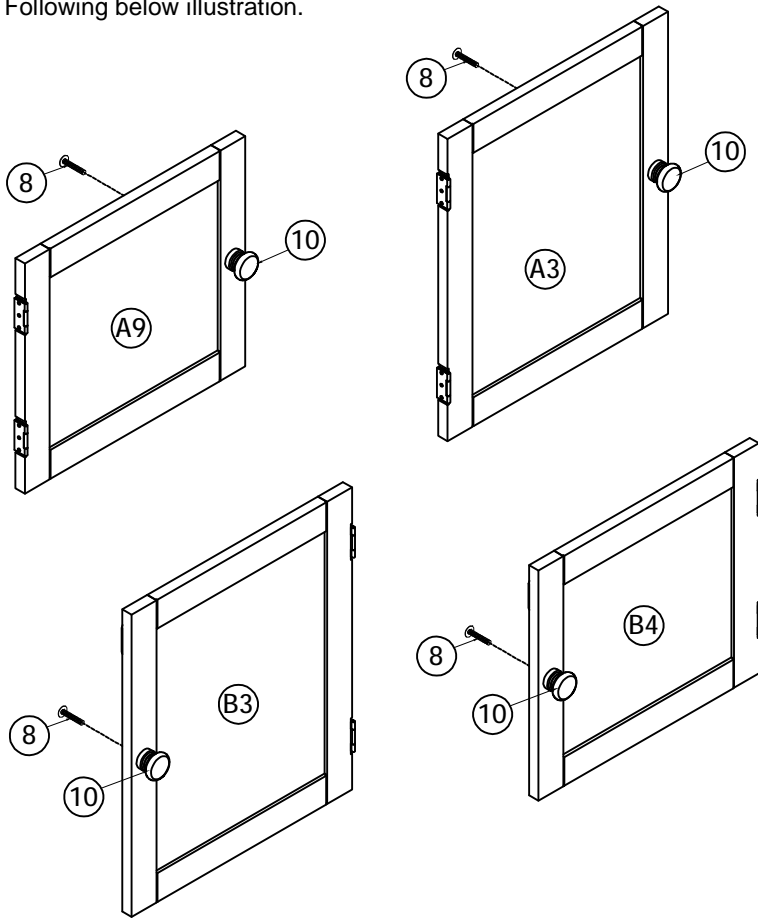
|        |  |        |  |
|--------|--|--------|--|
| 15     |  | 17     |  |
| 2(pcs) |  | 4(pcs) |  |

STEP15 x 2: Following below illustration.



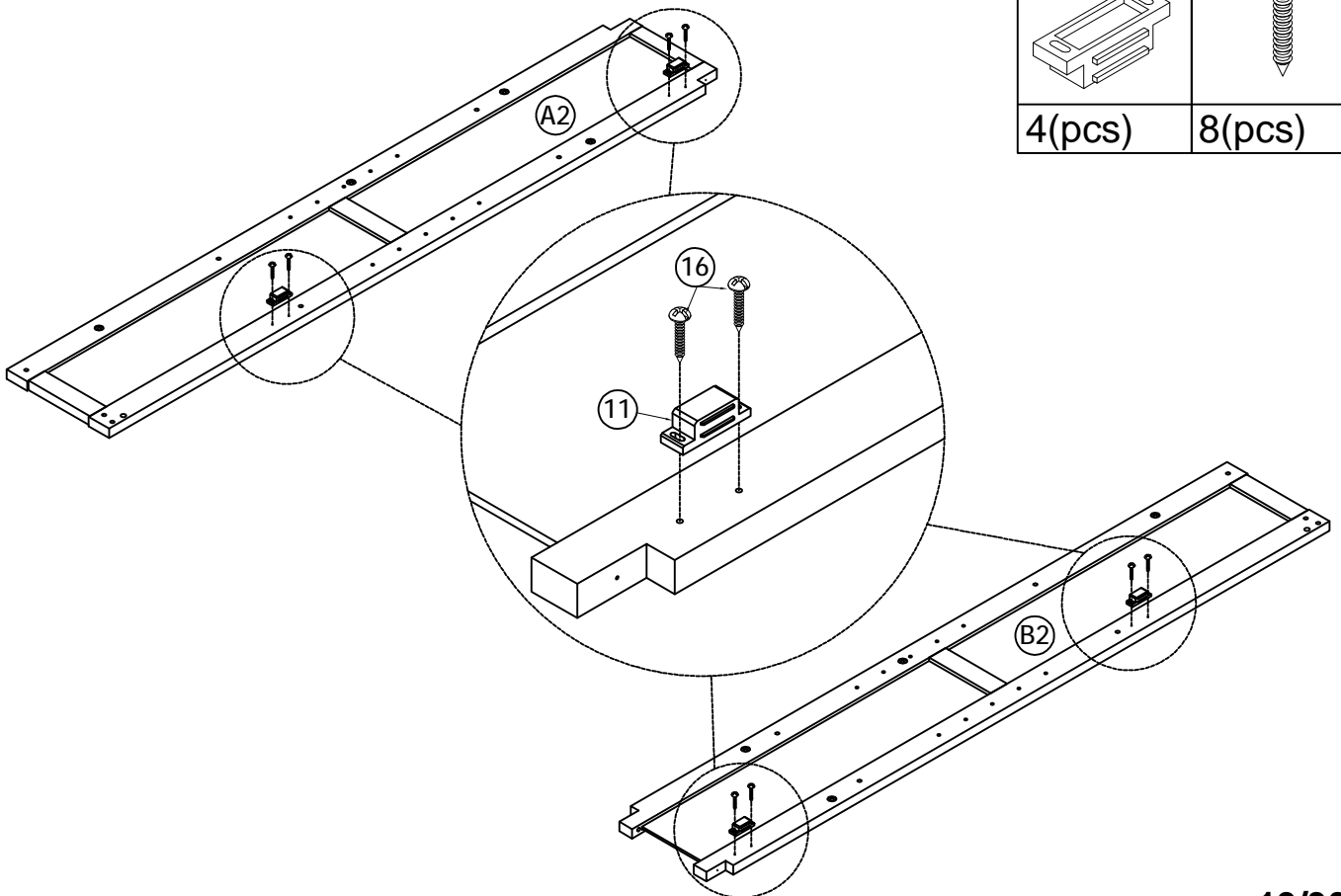
|         |  |
|---------|--|
| 20      |  |
| 10(pcs) |  |

**STEP16:** Following below illustration.



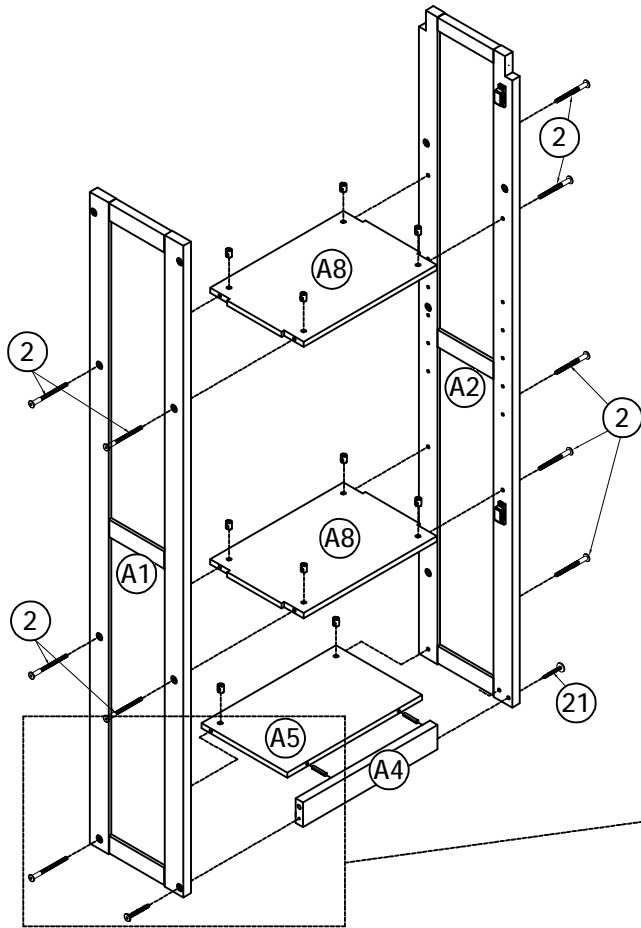
|        |        |
|--------|--------|
| 10     | 8      |
|        |        |
| 4(pcs) | 4(pcs) |

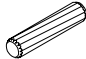



**STEP17:** Following below illustration.

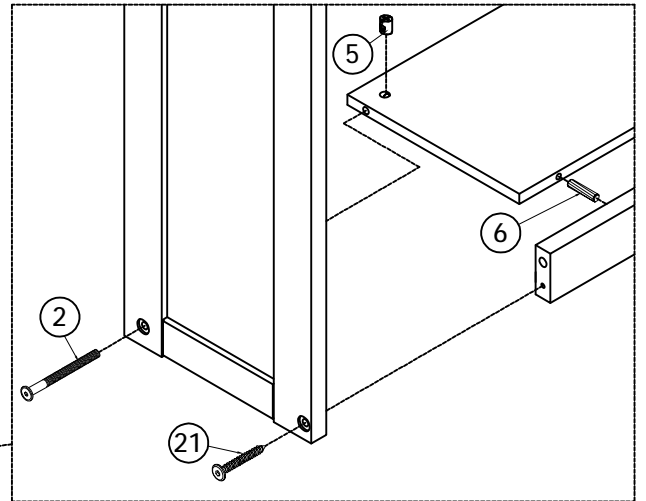


|        |        |
|--------|--------|
| 11     | 16     |
|        |        |
| 4(pcs) | 8(pcs) |

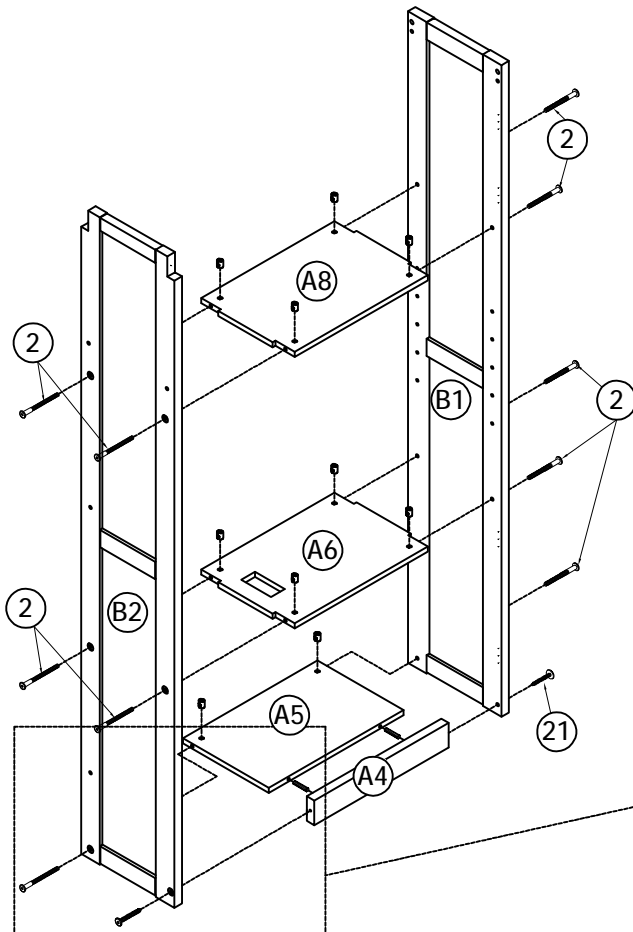
# STEP18: Following below illustration.

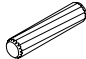
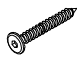




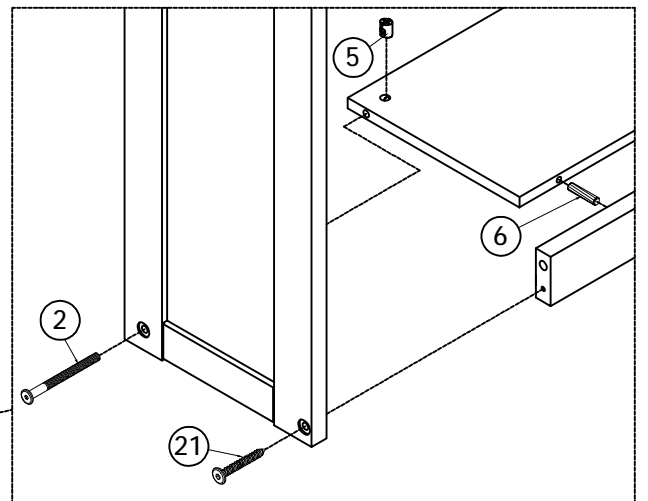
|   |   |   |
|---|---|---|
| 6   | 21  | 2   |
|  |  |  |
| 2(pcs)  | 2(pcs)  | 10(pcs)   |
|   |   | 5   |
|   |   |  |
|   |   | 10(pcs)   |



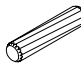


# STEP19: Following below illustration.

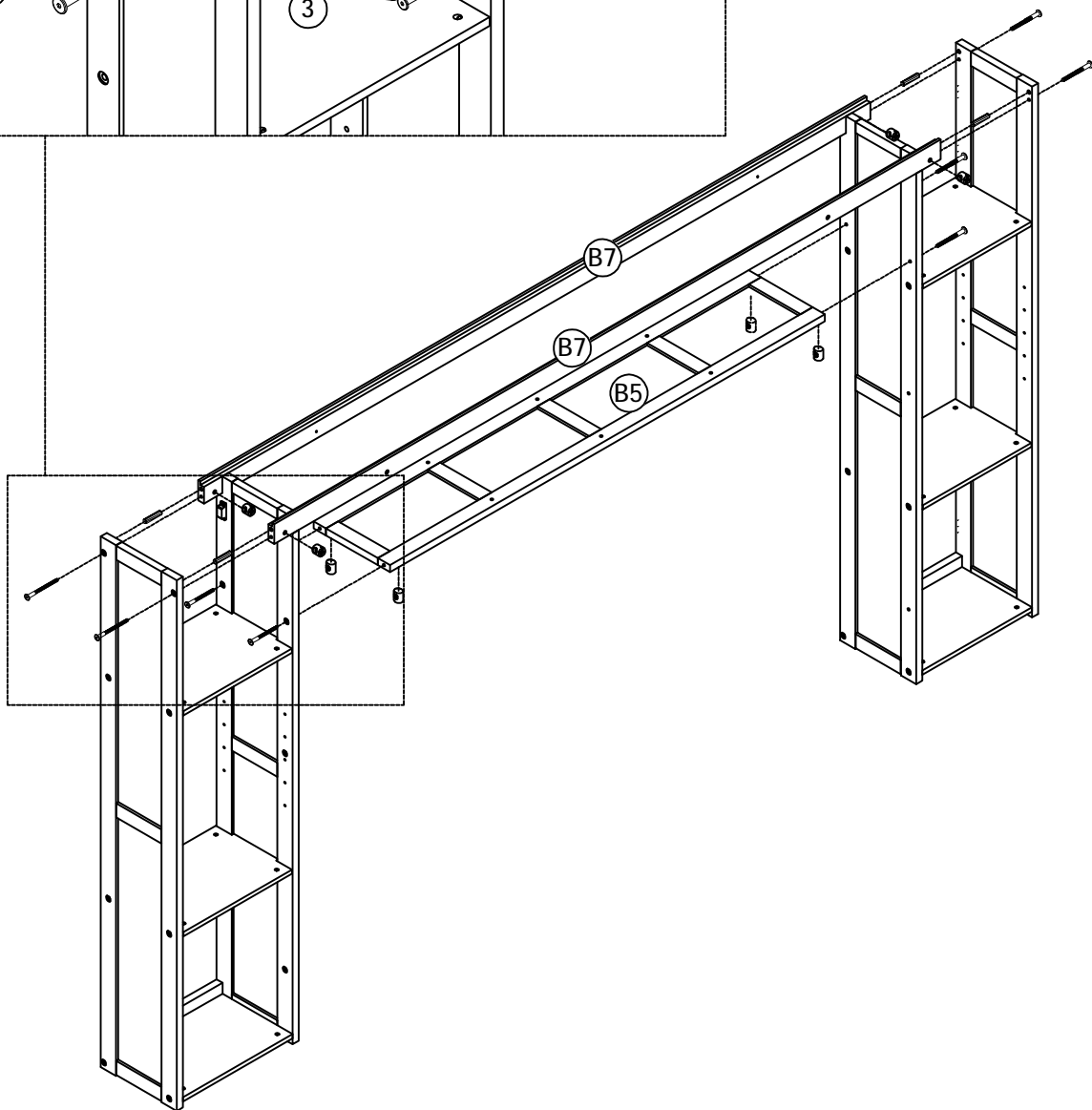
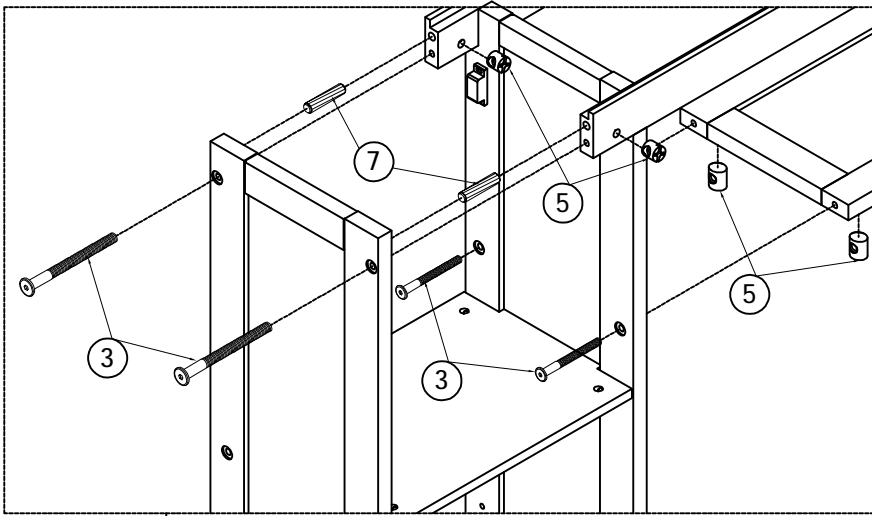


|   |   |   |
|---|---|---|
| 6   | 21  | 2   |
|  |  |  |
| 2(pcs)  | 2(pcs)  | 10(pcs)   |
|   |   | 5   |
|   |   |  |
|   |   | 10(pcs)   |


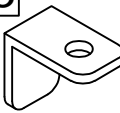


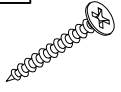


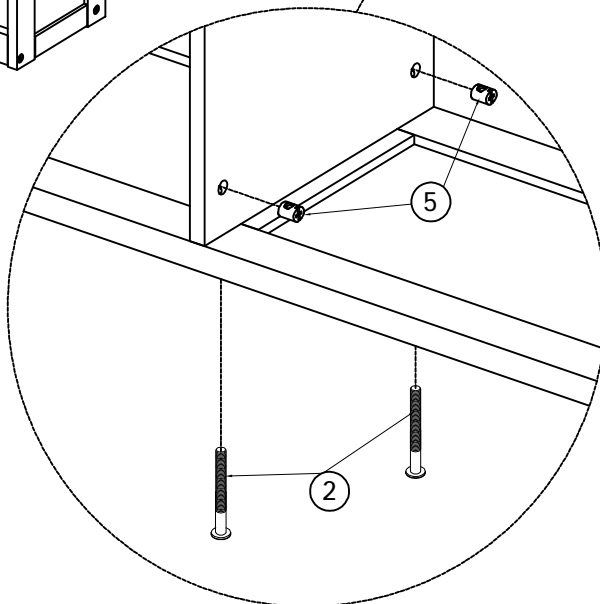
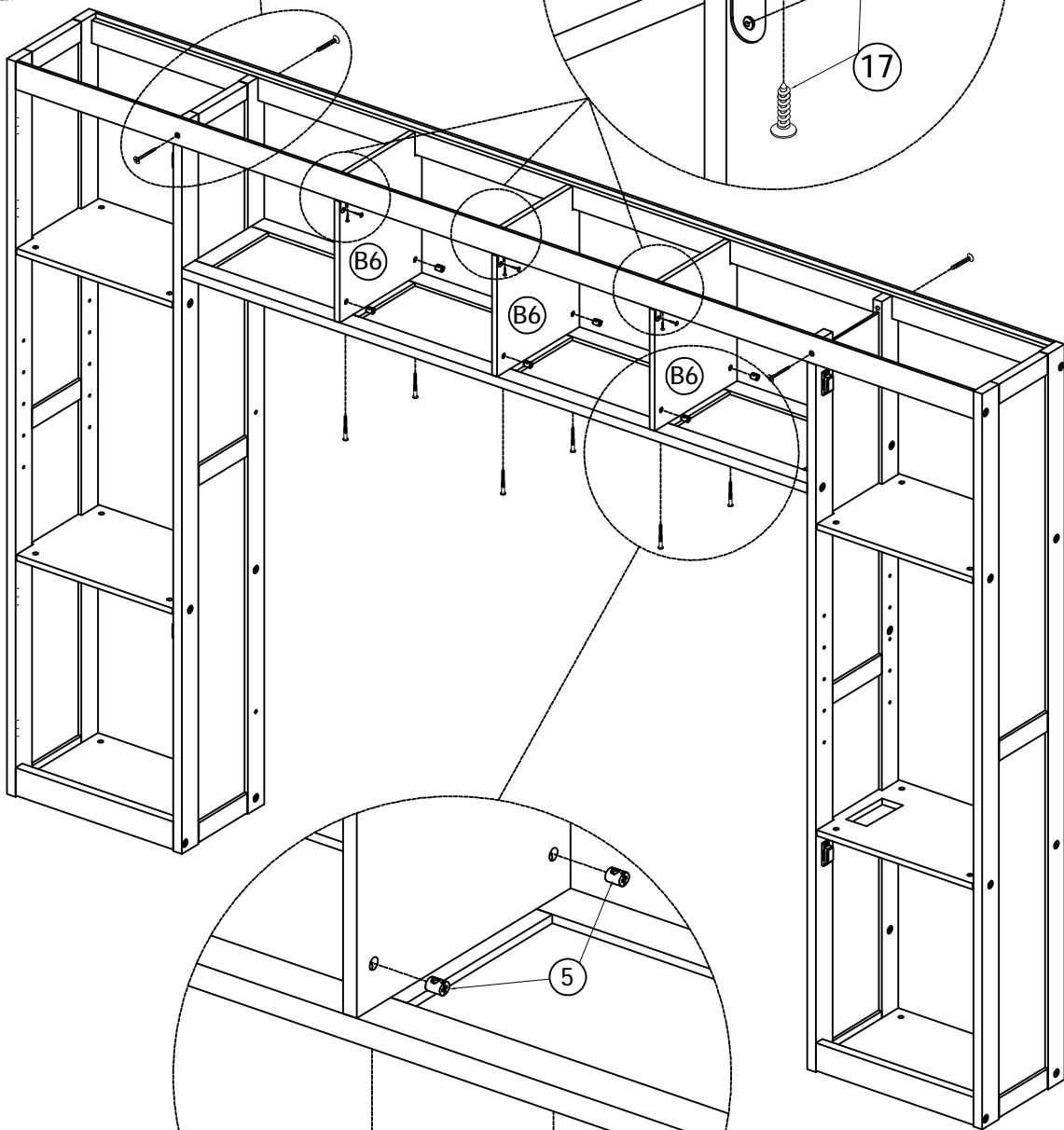
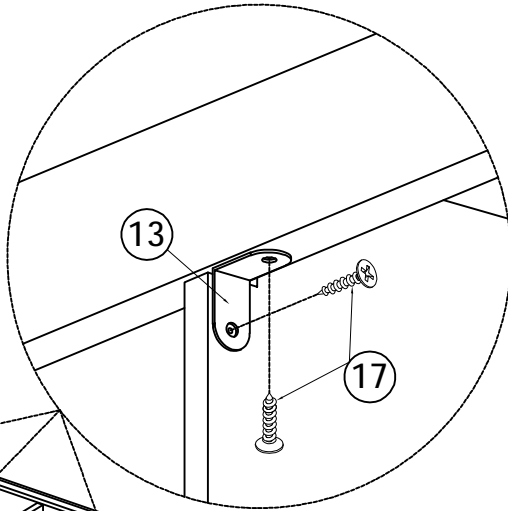
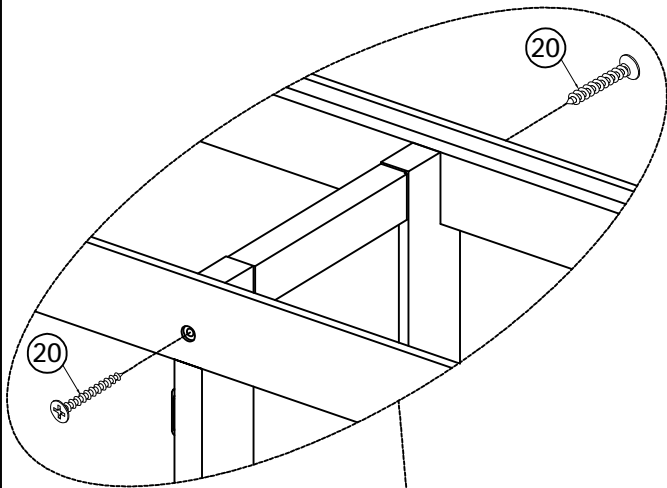
**STEP20:** Following below illustration.

|   |   |   |
|---|---|---|
| 7   | 3   | 5   |
|  |  |  |
| 4(pcs)  | 8(pcs)  | 8(pcs)  |

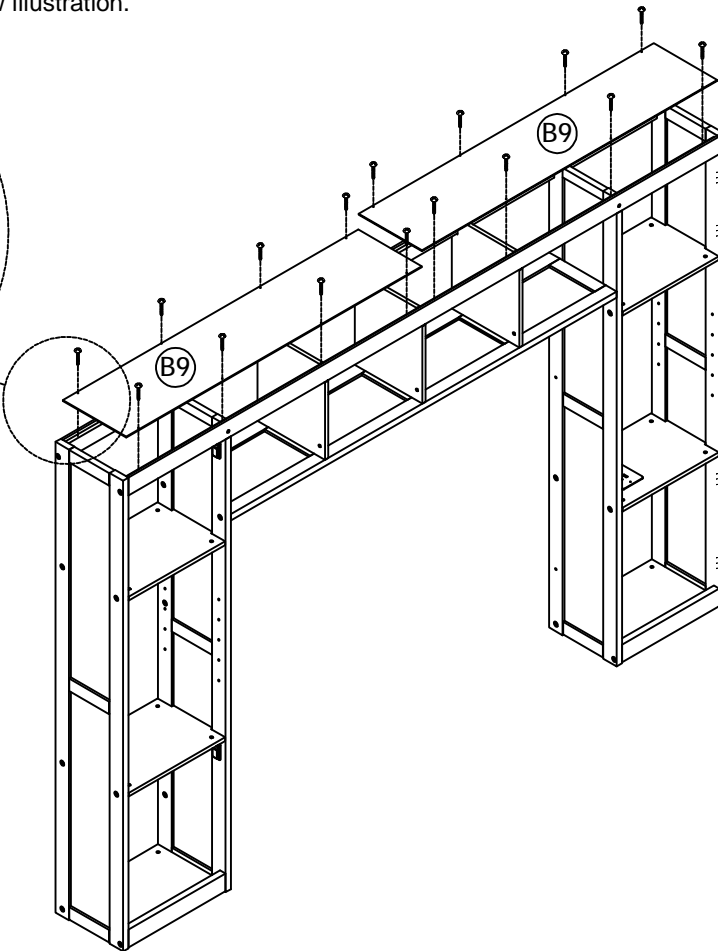
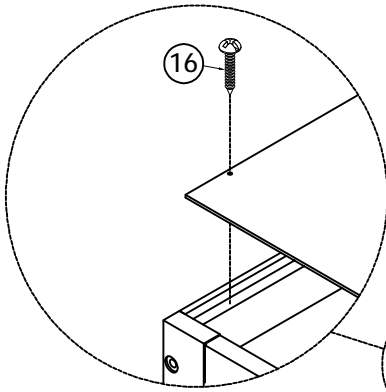


**STEP21:** Following below illustration.

|        |   |        |   |        |   |        |   |
|--------|---|--------|---|--------|---|--------|---|
| 17     |  | 13     |  | 2      |  | 5      |  |
| 6(pcs) |   | 3(pcs) |   | 6(pcs) |   | 6(pcs) |   |
|        |   |        |   |        |   | 20     |  |
|        |   |        |   |        |   | 4(pcs) |   |



**STEP22:** Following below illustration.

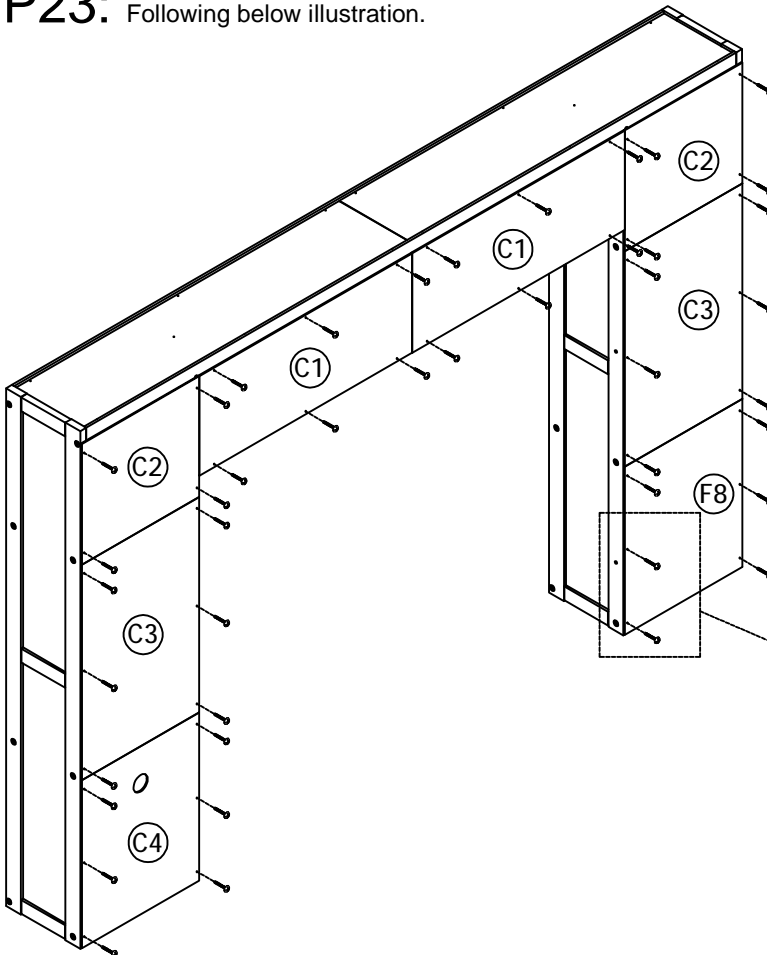


16



16(pcs)

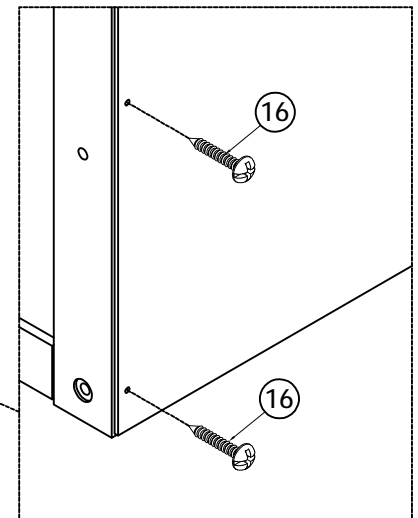
**STEP23:** Following below illustration.



16



44(pcs)



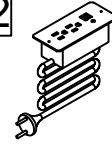
**STEP24:** Following below illustration.

17



2(pcs)

22

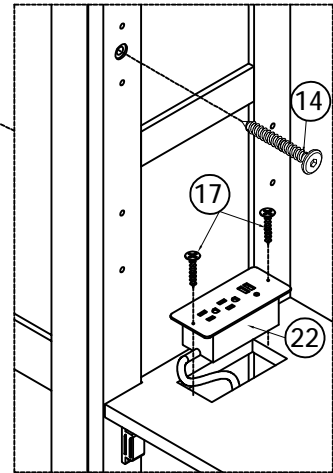
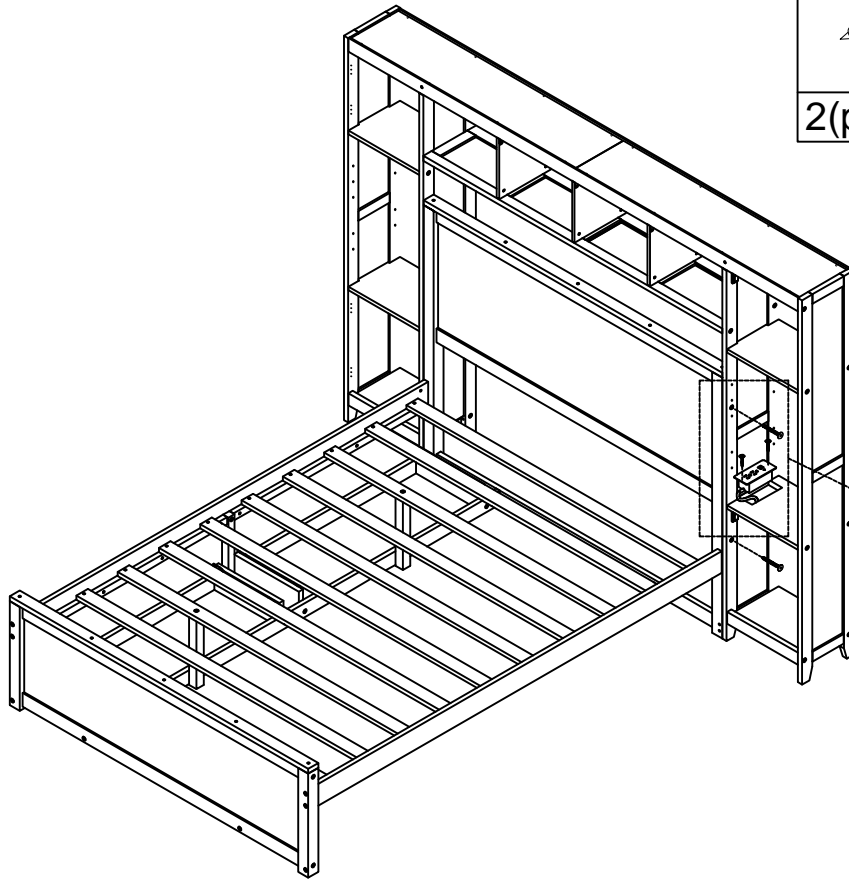


1(pc)

14

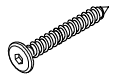


2(pcs)

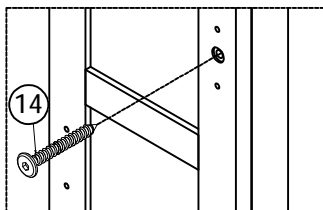
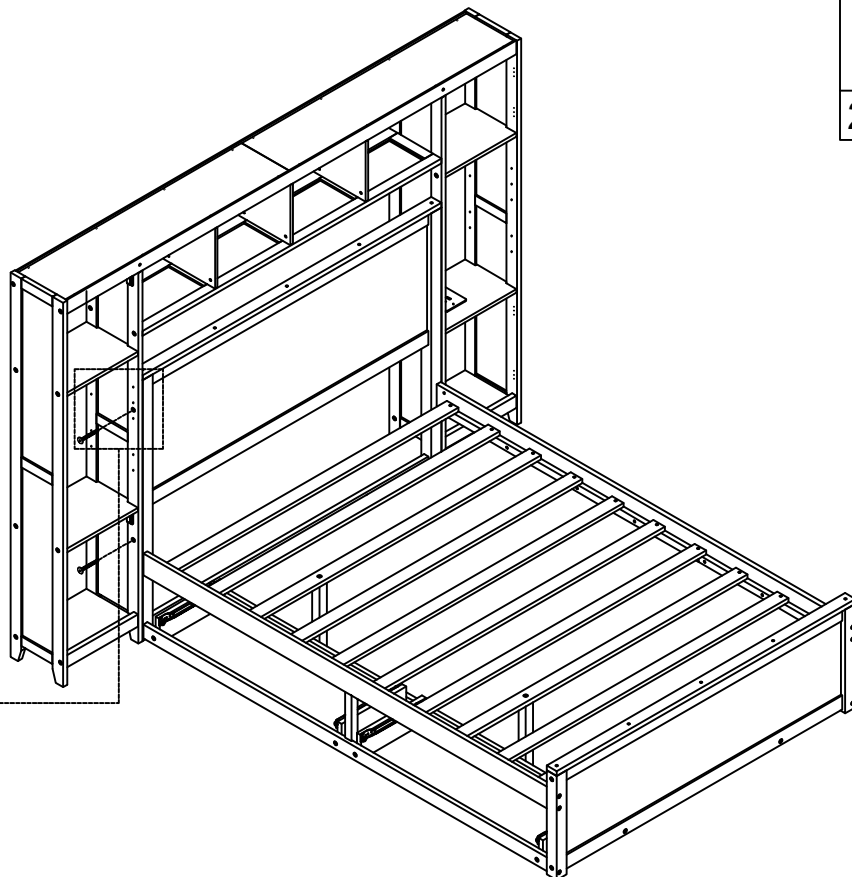


**STEP25:** Following below illustration.

14





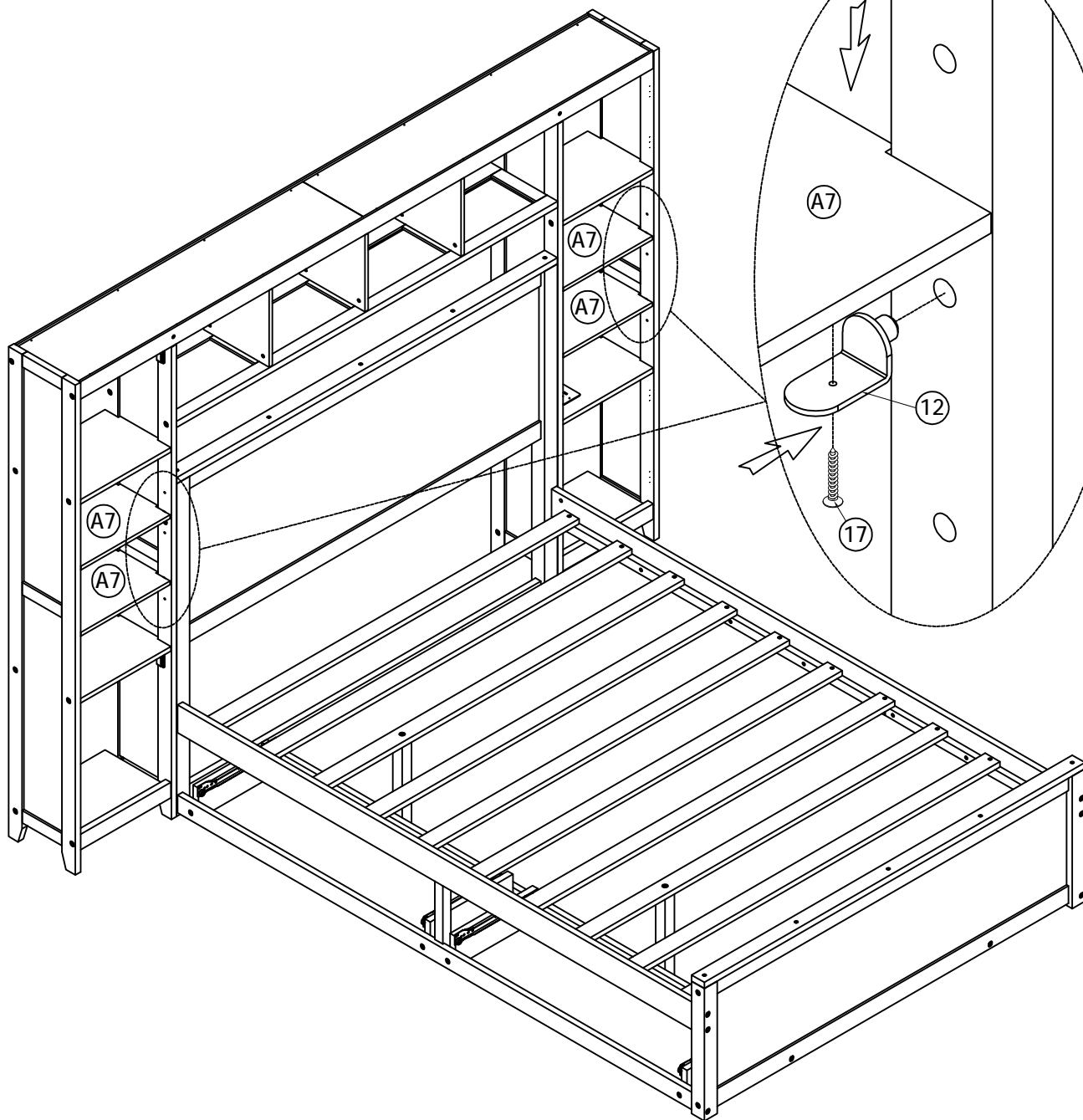
2(pcs)





**STEP26:** Following below illustration.

|   |   |
|---|---|
| 12  | 17  |
|  |  |
| 16(pcs)   | 16(pcs)   |

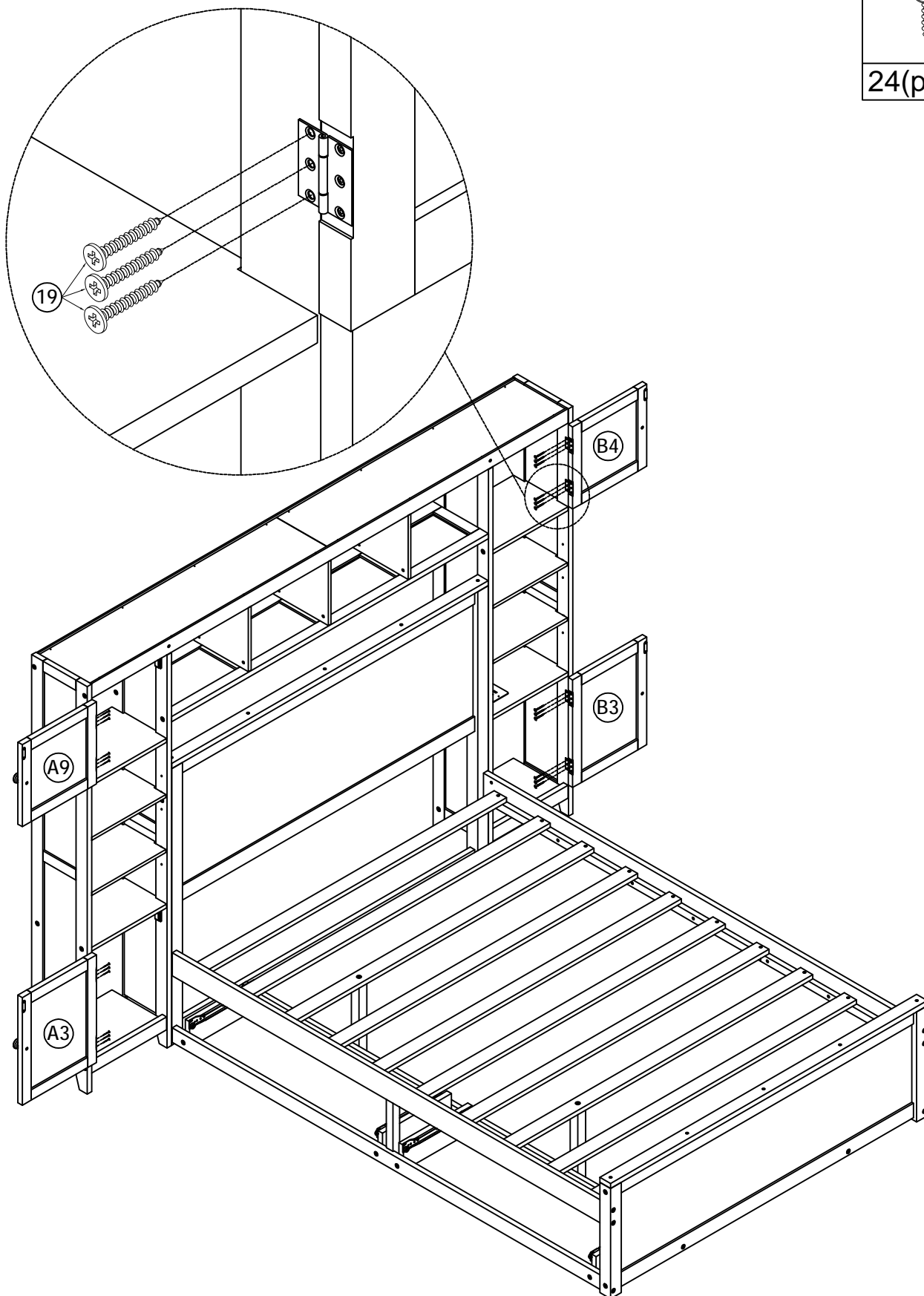


**STEP27:** Following below illustration.

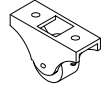

19

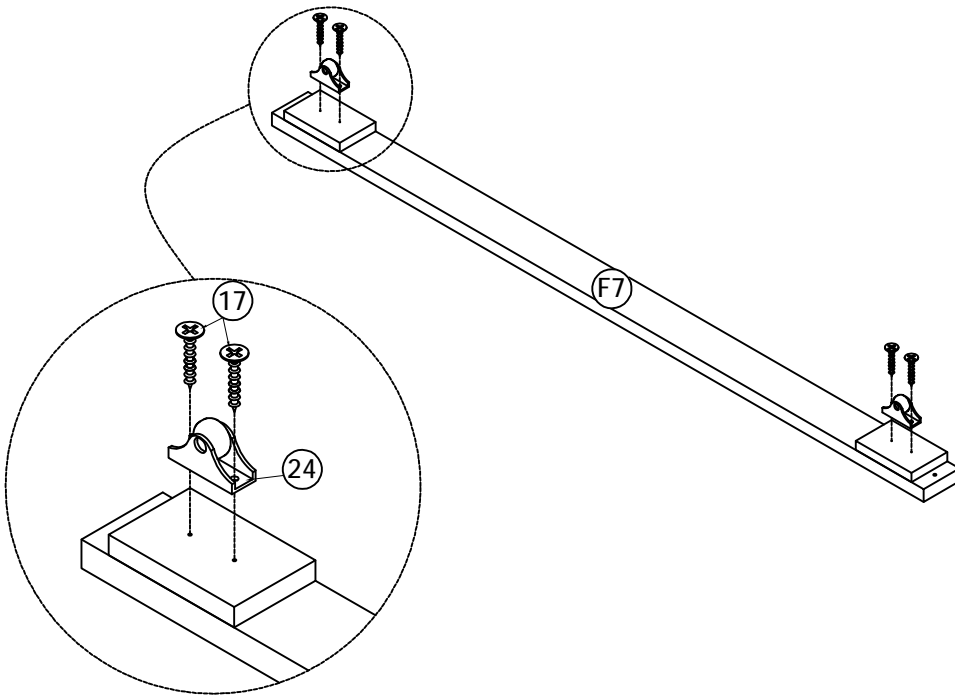


24(pcs)

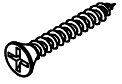


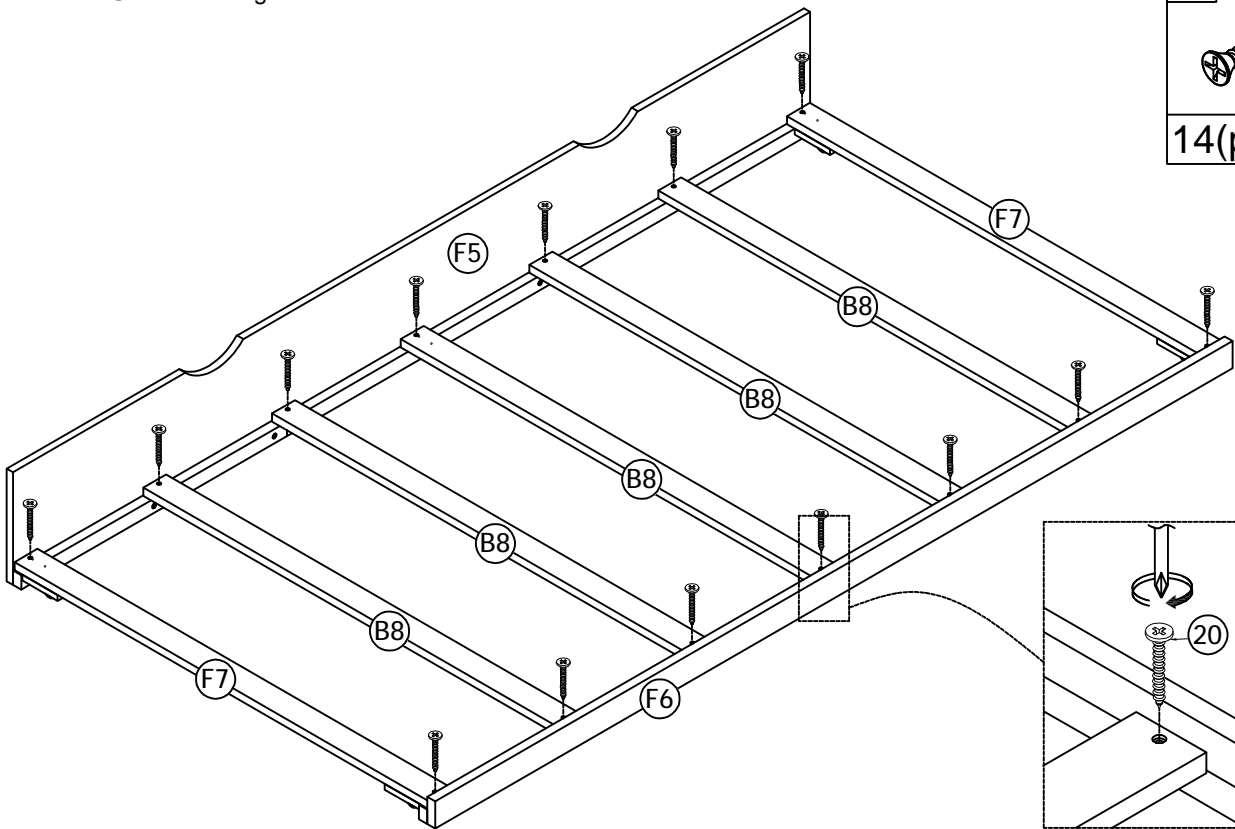
**STEP28:** Following below illustration.

|   |   |
|---|---|
| 24  | 17  |
|  |  |
| 4(pcs)  | 8(pcs)  |



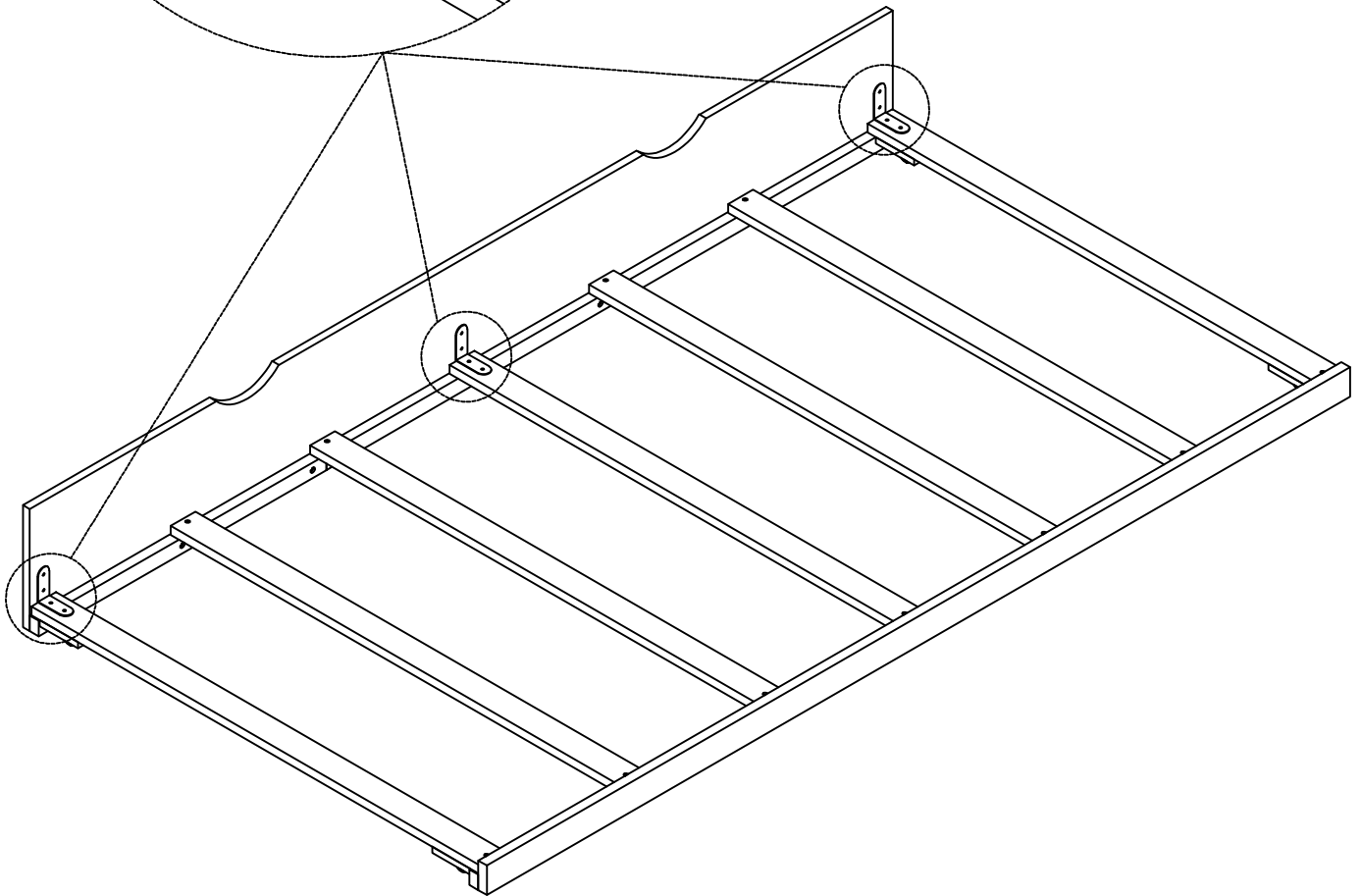
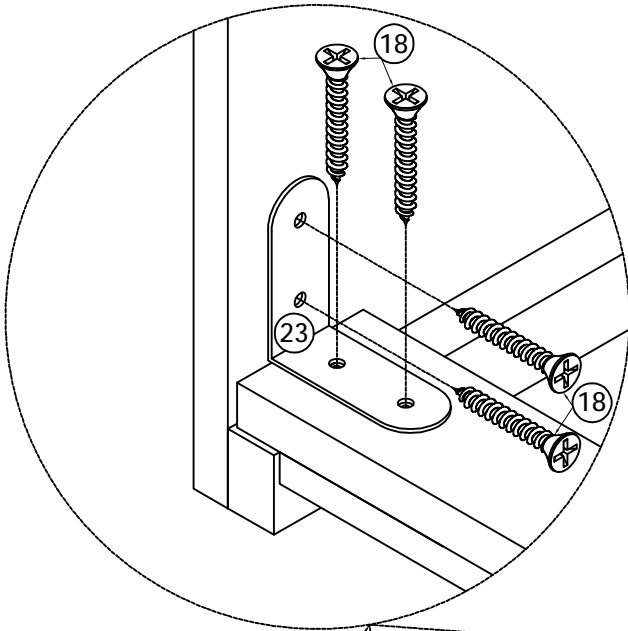
**STEP29:** Following below illustration.

|   |
|---|
| 20  |
|  |
| 14(pcs)   |

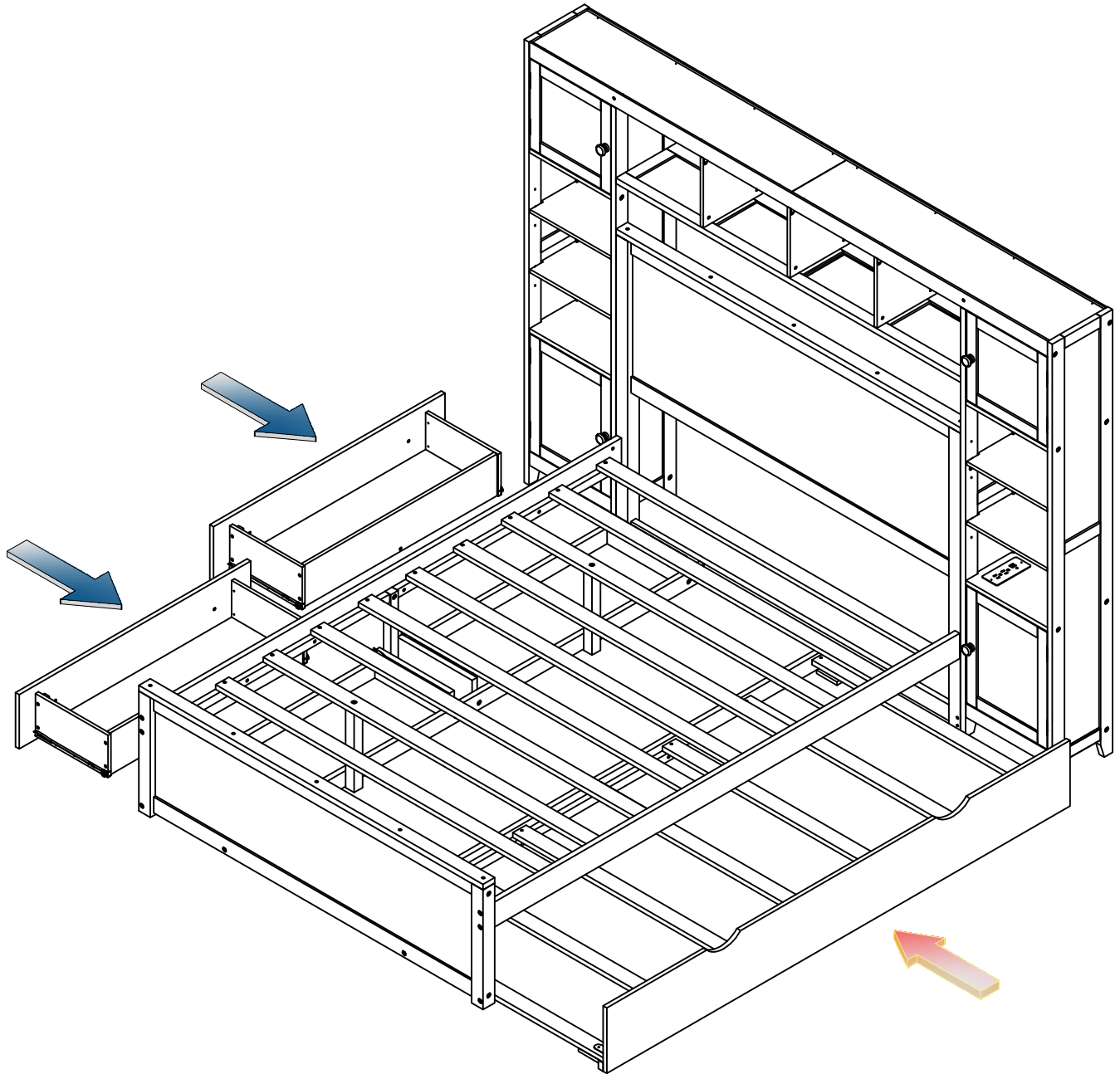


**STEP30:** Following below illustration.

|        |         |
|--------|---------|
| 23     | 18      |
| 3(pcs) | 12(pcs) |



**STEP31 - Option 1:** Following below illustration.



**STEP31 - Option 2:** Following below illustration.

